

REVISIONS

P	LTR	DESCRIPTION	DATE	DWN	APVD
A		REVISED PER ECR-20-004270	21MAR2020	GK	OD

Ø50h7 +0 -0.025

ITEM NO	PARTNUMBER	DESCRIPTION	ITEM NO
1	2367323-1	ROT-T*715-B1 A0281-B301 without cap	2
1	2341281-1	Gehäuse kpl. / Bauform T2	1
2367254-1	PARTNUMBER	DESCRIPTION	ITEM NO
REVISION OF EACH ASSY NO. (WHEN BLANK, USE DWG. REVISION)			
PARTS LIST			

Achtung:
Die angegebenen Aderpaare sind einmal auf 25mm
verseilt : blau und gelb / rot und schwarz /
rotweiss und gelbweiss

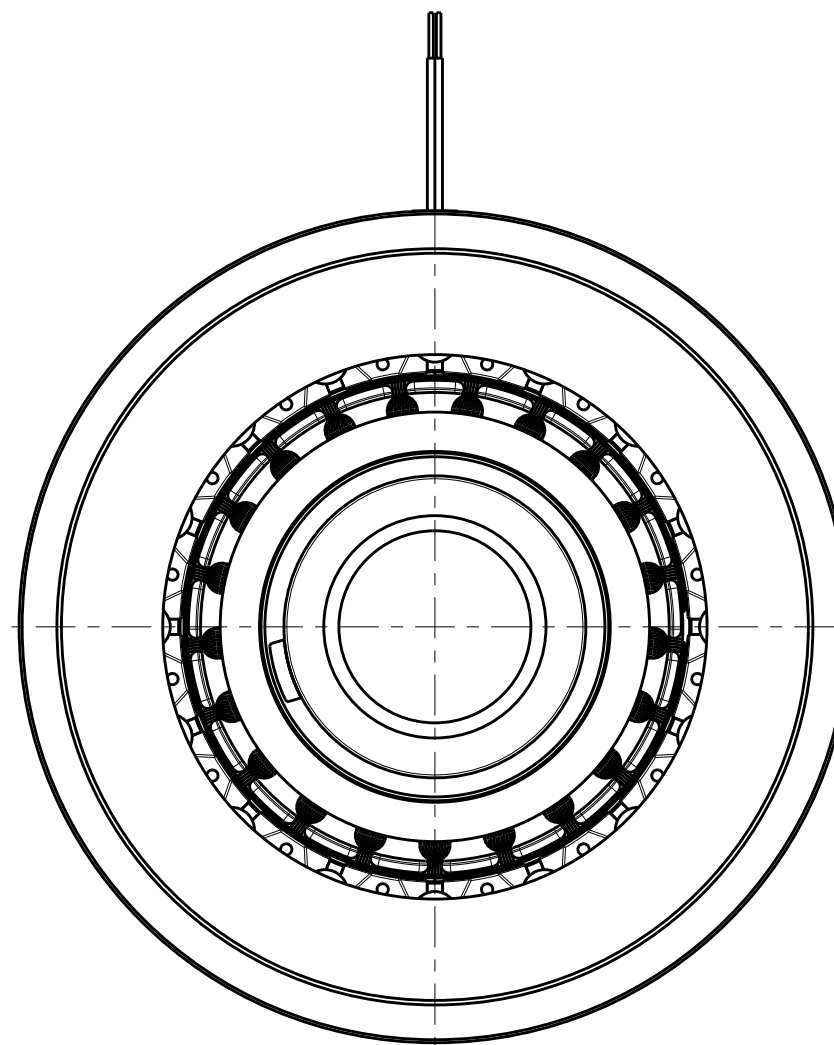
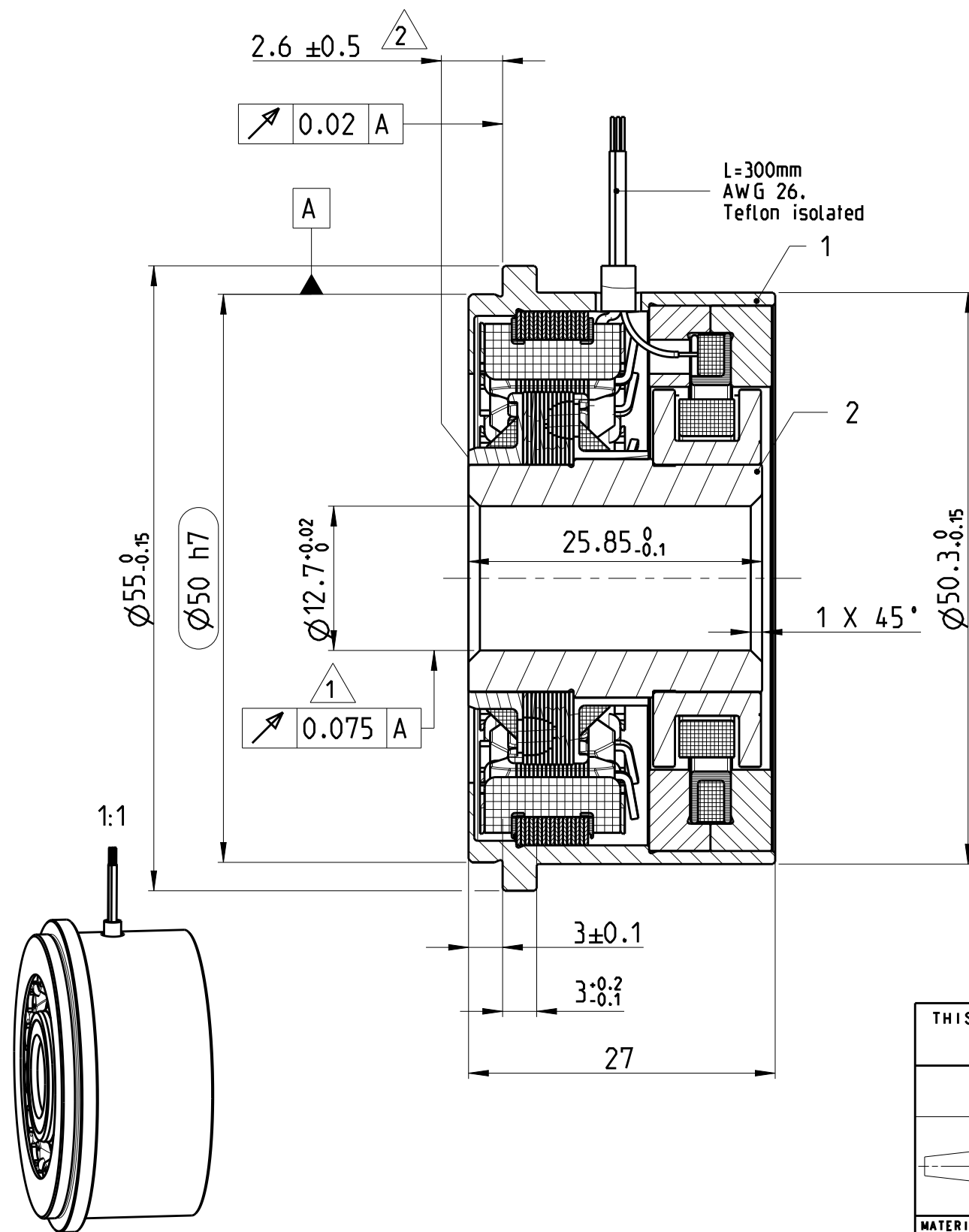
Attention:
The specified cable pairs have to twist once at 25mm :
blue and yellow / red and black /
red-white and yellow-white

Resolverstator u.-rotor nur paarig verwenden !


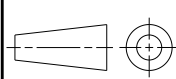
Use only paired stator and rotor !

- 1 Gesamtschlag im eingebauten Zustand
concentricity in installed situa
- 2 Axialversatz
axial displacement

Signal	conductor colouring
S1(COS+)	RED
S2(SIN+)	YELLOW
S3(COS-)	BLACK
S4(SIN-)	BLUE
R1(REF+)	RED-WHITE
R2/R3(REF-)	YELLOW-WHITE



DIMENSIONS WITHOUT TOLERANCES : DIN ISO 2768-m

THIS DRAWING IS A CONTROLLED DOCUMENT.		DWN GOPALAKRISHNA HV 20 JAN 2020	 TE Connectivity		
		CHK SARFRAZ BILAL 20 JAN 2020			
		APVD ONDREJ DUSAN 20 JAN 2020	NAME HOLLOW SHAFT RESOLVER / SZ.21 TYPE T2 CrMo V23401-T2715-B101		
DIMENSIONS: mm		TOLERANCES UNLESS OTHERWISE SPECIFIED:		PRODUCT SPEC	
		0 PLC ± 1 PLC ± 2 PLC ± 3 PLC ± 4 PLC ± ANGLES ±°		APPLICATION SPEC	
MATERIAL		FINISH		WEIGHT	
-		-		-	
CUSTOMER DRAWING			SIZE A3	CAGE CODE 00779	DRAWING NO C-2367254
			SCALE 2:1	SHEET 1 OF 1	RESTRICTED TO REV A