

# U1000 Industrial MATRIX Drive

## Low Harmonic Regenerative Drive for Industrial Applications

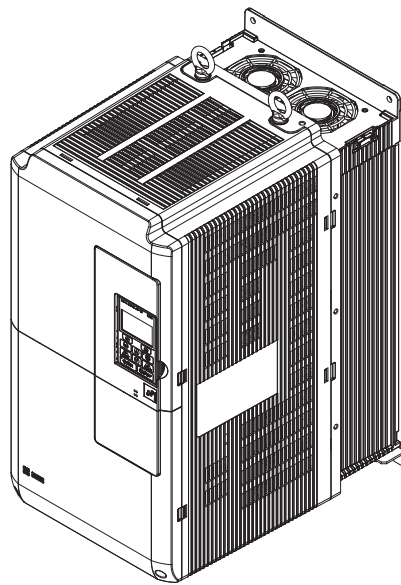
### Technical Manual

Type: CIMR-UU

Models: 200 V Class: 7.5 to 75 kW (10 to 100 HP ND)

400 V Class: 5.5 to 260 kW (7.5 to 350 HP ND)

To properly use the product, read this manual thoroughly and retain for easy reference, inspection, and maintenance. Ensure the end user receives this manual.



Receiving **1**

Mechanical Installation **2**

Electrical Installation **3**

Start-Up Programming & Operation **4**

Parameter Details **5**

Troubleshooting **6**

Periodic Inspection & Maintenance **7**

Peripheral Devices & Options **8**

Specifications **A**

Parameter List **B**

MEMOBUS/Modbus Communications **C**

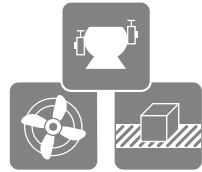
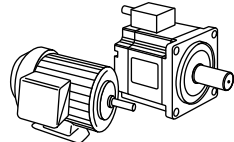

Standards Compliance **D**

Quick Reference Sheet **E**

Copyright © 2014 YASKAWA ELECTRIC CORPORATION.

No part of this publication may be reproduced, stored in a retrieval system, or transmitted, in any form or by any means, mechanical, electronic, photocopying, recording, or otherwise, without the prior written permission of Yaskawa. No patent liability is assumed with respect to the use of the information contained herein. Moreover, because Yaskawa is constantly striving to improve its high-quality products, the information contained in this manual is subject to change without notice. Every precaution has been taken in the preparation of this manual. Yaskawa assumes no responsibility for errors or omissions. Neither is any liability assumed for damages resulting from the use of the information contained in this publication.

## ◆ Quick Reference

Easily Set Parameters for Specific Applications	
<p>Preset parameter defaults are available for setting up applications. <i>Refer to Application Selection on page 127.</i></p>	
Run a Motor One Frame Larger	
<p>This drive can operate a motor one frame size larger when running variable torque loads such as fans and pumps. <i>Refer to C6-01: Drive Duty Mode Selection on page 202.</i></p>	
Drive a Synchronous PM Motor	
<p>The drive can operate synchronous PM motors. <i>Refer to Subchart A-3: Operation with Permanent Magnet Motors on page 124.</i></p>	
Perform Auto-Tuning	
<p>Automatic tuning sets motor parameters. <i>Refer to Auto-Tuning on page 130.</i></p>	
Maintenance Check Using Drive Monitors	
<p>Use drive monitors to check if fans, capacitors, or other components require maintenance. <i>Refer to Performance Life Monitors Maintenance Monitors on page 389.</i></p>	
Fault Display and Troubleshooting	
<p><i>Refer to Drive Alarms, Faults, and Errors on page 330 and Refer to Troubleshooting without Fault Display on page 374.</i></p>	
Standards Compliance	
<p><i>Refer to European Standards on page 596 and Refer to UL and CSA Standards on page 599.</i></p>	

---

**This Page Intentionally Blank**



# Table of Contents

---

<b>QUICK REFERENCE .....</b>	<b>3</b>
<b>i. PREFACE &amp; GENERAL SAFETY.....</b>	<b>17</b>
<b>i.1 Preface .....</b>	<b>18</b>
Applicable Documentation.....	18
Symbols.....	18
Terms and Abbreviations .....	18
Trademarks .....	19
<b>i.2 General Safety .....</b>	<b>20</b>
Supplemental Safety Information .....	20
Safety Messages.....	21
General Application Precautions .....	23
Motor Application Precautions.....	25
Drive Label Warning Example.....	28
Warranty Information.....	28
<b>1. RECEIVING .....</b>	<b>29</b>
<b>1.1 Section Safety.....</b>	<b>30</b>
<b>1.2 General Description .....</b>	<b>31</b>
U1000 Model Selection .....	31
Control Mode Selection .....	31
<b>1.3 Model Number and Nameplate Check .....</b>	<b>34</b>
Nameplate .....	34
<b>1.4 Drive Models and Enclosure Types.....</b>	<b>37</b>
<b>1.5 Component Names.....</b>	<b>38</b>
IP00/Open Type Enclosure .....	38
IP20/NEMA Type 1 Enclosure.....	42
Front Views .....	46
<b>2. MECHANICAL INSTALLATION.....</b>	<b>47</b>
<b>2.1 Section Safety.....</b>	<b>48</b>
<b>2.2 Mechanical Installation .....</b>	<b>50</b>
Installation Environment.....	50
Installation Orientation and Spacing.....	50
Instructions on Installation Using the Eye Bolts and Hanging Brackets .....	51
Digital Operator Remote Usage .....	53
Exterior and Mounting Dimensions .....	57

<b>3. ELECTRICAL INSTALLATION .....</b>	<b>63</b>
<b>3.1 Section Safety.....</b>	<b>64</b>
<b>3.2 Standard Connection Diagram.....</b>	<b>66</b>
<b>3.3 Main Circuit Connection Diagram.....</b>	<b>69</b>
<b>3.4 Terminal Block Configuration .....</b>	<b>70</b>
<b>3.5 Terminal Cover .....</b>	<b>73</b>
Models 2□0028 to 2□0130 and 4□0011 to 4□0124 .....	73
Models 2□0154 to 2□0248 and 4□0156 to 4□0414 .....	74
<b>3.6 Digital Operator and Front Cover.....</b>	<b>76</b>
Removing/Reattaching the Digital Operator .....	76
Removing/Reattaching the Front Cover .....	76
<b>3.7 Top Protective Cover .....</b>	<b>79</b>
Attaching the Top Protective Cover.....	79
Removing the Top Protective Cover .....	79
<b>3.8 Main Circuit Wiring.....</b>	<b>80</b>
Main Circuit Terminal Functions.....	80
Protecting Main Circuit Terminals .....	80
Main Circuit Wire Gauges and Tightening Torque .....	81
Main Circuit Terminal and Motor Wiring.....	85
<b>3.9 Control Circuit Wiring .....</b>	<b>88</b>
Control Circuit Connection Diagram.....	88
Control Circuit Terminal Block Functions .....	88
Terminal Configuration .....	90
Wiring the Control Circuit Terminal .....	91
Switches and Jumpers on the Terminal Board.....	92
<b>3.10 Control I/O Connections .....</b>	<b>94</b>
Sinking/Sourcing Mode for Digital Inputs .....	94
Sinking/Sourcing Mode Selection for Safe Disable Inputs .....	95
Using the Pulse Train Output .....	95
Terminal A2 Input Signal Selection .....	96
Terminal A3 Analog/PTC Input Selection.....	96
Terminal AM/FM Signal Selection .....	97
MEMOBUS/Modbus Termination .....	97
Terminal DM+ and DM- Output Signal Selection .....	97
<b>3.11 Connect to a PC.....</b>	<b>98</b>
<b>3.12 EMC Filter.....</b>	<b>99</b>
Enable the Internal EMC Filter .....	99
<b>3.13 External Interlock .....</b>	<b>103</b>
Operation Ready .....	103
<b>3.14 Wiring Checklist .....</b>	<b>104</b>
<b>4. START-UP PROGRAMMING &amp; OPERATION.....</b>	<b>107</b>
<b>4.1 Section Safety.....</b>	<b>108</b>
<b>4.2 Using the Digital Operator.....</b>	<b>109</b>
Digital Operator Keys and Displays.....	109
LCD Display .....	110
ALARM (ALM) LED Displays.....	111

LO/RE LED and RUN LED Indications.....	111
Menu Structure for Digital Operator .....	112
<b>4.3 The Drive and Programming Modes .....</b>	<b>113</b>
Navigating the Drive and Programming Modes.....	113
Changing Parameter Settings or Values .....	114
Verifying Parameter Changes: Verify Menu .....	116
Simplified Setup Using the Setup Group.....	117
Switching Between LOCAL and REMOTE.....	118
<b>4.4 Start-Up Flowcharts .....</b>	<b>119</b>
Flowchart A: Basic Start-Up and Motor Tuning .....	120
Subchart A-1: Simple Motor Setup Using V/f Control.....	121
Subchart A-2: High Performance Operation Using OLV or CLV .....	122
Subchart A-3: Operation with Permanent Magnet Motors.....	124
<b>4.5 Powering Up the Drive .....</b>	<b>126</b>
Powering Up the Drive and Operation Status Display.....	126
<b>4.6 Application Selection .....</b>	<b>127</b>
Setting 1: Water Supply Pump Application.....	127
Setting 2: Conveyor Application .....	128
Setting 3: Exhaust Fan Application .....	128
Setting 4: HVAC Fan Application .....	129
Setting 5: Air Compressor Application.....	129
<b>4.7 Auto-Tuning .....</b>	<b>130</b>
Types of Auto-Tuning .....	130
Before Auto-Tuning the Drive.....	133
Auto-Tuning Interruption and Fault Codes .....	135
Auto-Tuning Operation Example .....	136
T1: Parameter Settings during Induction Motor Auto-Tuning .....	137
Parameter Settings during PM Motor Auto-Tuning: T2 .....	139
Parameter Settings during Inertia and Speed Control Loop Auto-Tuning: T3.....	142
<b>4.8 No-Load Operation Test Run.....</b>	<b>144</b>
No-Load Operation Test Run .....	144
<b>4.9 Test Run with Load Connected.....</b>	<b>146</b>
Test Run with the Load Connected .....	146
<b>4.10 Verifying Parameter Settings and Backing Up Changes .....</b>	<b>147</b>
Backing Up Parameter Values: o2-03 .....	147
Parameter Access Level: A1-01 .....	147
Password Settings: A1-04, A1-05 .....	147
Copy Function .....	148
<b>4.11 Test Run Checklist .....</b>	<b>149</b>
<b>5. PARAMETER DETAILS .....</b>	<b>151</b>
<b>5.1 A: Initialization.....</b>	<b>152</b>
A1: Initialization .....	152
A2: User Parameters.....	157
<b>5.2 b: Application.....</b>	<b>158</b>
b1: Operation Mode Selection.....	158
b2: DC Injection Braking.....	167
b3: Speed Search.....	168
b4: Timer Function .....	176

## Table of Contents

---

b5: PID Control .....	177
b6: Dwell Function .....	186
b7: Droop Control (CLV, CLV/PM) .....	187
b8: Energy Saving .....	188
b9: Zero Servo .....	190
<b>5.3 C: Tuning .....</b>	<b>191</b>
C1: Acceleration and Deceleration Times .....	191
C2: S-Curve Characteristics .....	193
C3: Slip Compensation .....	193
C4: Torque Compensation .....	196
C5: Automatic Speed Regulator (ASR) .....	197
C6: Carrier Frequency .....	202
C7: Voltage Adjustment .....	204
<b>5.4 d: Reference Settings .....</b>	<b>205</b>
d1: Frequency Reference .....	205
d2: Frequency Upper/Lower Limits .....	207
d3: Jump Frequency .....	208
d4: Frequency Reference Hold and Up/Down 2 Function .....	209
d5: Torque Control .....	214
d6: Field Weakening and Field Forcing .....	218
d7: Offset Frequency .....	219
<b>5.5 E: Motor Parameters .....</b>	<b>220</b>
E1: V/f Pattern for Motor 1 .....	220
E2: Motor 1 Parameters .....	224
E3: V/f Pattern for Motor 2 .....	227
E4: Motor 2 Parameters .....	228
E5: PM Motor Settings .....	230
<b>5.6 F: Option Settings .....</b>	<b>233</b>
F1: PG Speed Control Card Settings .....	233
F2: Analog Input Card Settings .....	236
F3: Digital Input Card Settings .....	237
F4: Analog Monitor Card Settings .....	238
F5: Digital Output Card Settings .....	238
F6 and F7: Communication Option Card .....	239
CC-Link Parameters .....	241
MECHATROLINK Parameters .....	241
PROFIBUS-DP Parameters .....	242
CANopen Parameters .....	243
DeviceNet Parameters .....	243
Modbus TCP/IP Parameters .....	245
PROFINET Parameters .....	245
EtherNet/IP Parameters .....	245
<b>5.7 H: Terminal Functions .....</b>	<b>246</b>
H1: Multi-Function Digital Inputs .....	246
H2: Multi-Function Digital Outputs .....	256
H3: Multi-Function Analog Inputs .....	267
H4: Multi-Function Analog Outputs .....	272
H5: MEMOBUS/Modbus Serial Communication .....	274
H6: Pulse Train Input/Output .....	274
<b>5.8 L: Protection Functions .....</b>	<b>278</b>
L1: Motor Protection .....	278

L2: Momentary Power Loss Ride-Thru.....	283
L3: Stall Prevention .....	285
L4: Speed Detection.....	289
L5: Fault Restart.....	291
L6: Torque Detection.....	292
L7: Torque Limit .....	295
L8: Drive Protection.....	297
L9: Drive Protection 2.....	302
<b>5.9 n: Special Adjustments.....</b>	<b>303</b>
n1: Hunting Prevention.....	303
n2: Speed Feedback Detection Control (AFR) Tuning.....	304
n3: Overexcitation Braking .....	304
n5: Feed Forward Control .....	305
n6: Online Tuning.....	307
n8: PM Motor Control Tuning .....	307
<b>5.10 o: Operator Related Settings.....</b>	<b>312</b>
o1: Digital Operator Display Selection.....	312
o2: Digital Operator Keypad Functions .....	313
o3: Copy Function .....	315
o4: Maintenance Monitor Settings.....	316
q: DriveWorksEZ Parameters.....	317
r: DriveWorksEZ Connection Parameters .....	317
T: Motor Tuning.....	317
<b>5.11 U: Monitor Parameters .....</b>	<b>319</b>
U1: Operation Status Monitors .....	319
U2: Fault Trace.....	319
U3: Fault History.....	319
U4: Maintenance Monitors .....	319
U5: PID Monitors.....	319
U6: Operation Status Monitors .....	319
U8: DriveWorksEZ Monitors.....	320
U9: Power Monitors.....	320
<b>6. TROUBLESHOOTING.....</b>	<b>321</b>
<b>6.1 Section Safety.....</b>	<b>322</b>
<b>6.2 Motor Performance Fine-Tuning.....</b>	<b>324</b>
Fine-Tuning V/f Control and V/f Control with PG.....	324
Fine-Tuning Open Loop Vector Control .....	325
Fine-Tuning Closed Loop Vector Control .....	326
Fine-Tuning Open Loop Vector Control for PM Motors.....	327
Fine-Tuning Advanced Open Loop Vector Control for PM Motors.....	328
Fine-Tuning Closed Loop Vector Control for PM Motors .....	328
Parameters to Minimize Motor Hunting and Oscillation .....	329
<b>6.3 Drive Alarms, Faults, and Errors .....</b>	<b>330</b>
Types of Alarms, Faults, and Errors.....	330
Alarm and Error Displays .....	331
<b>6.4 Fault Detection .....</b>	<b>335</b>
Fault Displays, Causes, and Possible Solutions .....	335
<b>6.5 Alarm Detection .....</b>	<b>351</b>
Alarm Codes, Causes, and Possible Solutions .....	351

<b>6.6</b>	<b>Operator Programming Errors</b> .....	<b>360</b>
	Operator Programming Error Codes, Causes, and Possible Solutions.....	360
<b>6.7</b>	<b>Auto-Tuning Fault Detection</b> .....	<b>364</b>
	Auto-Tuning Codes, Causes, and Possible Solutions.....	364
<b>6.8</b>	<b>Copy Function Related Displays</b> .....	<b>369</b>
	Tasks, Errors, and Troubleshooting .....	369
<b>6.9</b>	<b>Diagnosing and Resetting Faults</b> .....	<b>371</b>
	Fault Occurs Simultaneously with Power Loss .....	371
	If the Drive Still has Power After a Fault Occurs .....	371
	Viewing Fault Trace Data After Fault .....	371
	Fault Reset Methods .....	373
<b>6.10</b>	<b>Troubleshooting without Fault Display</b> .....	<b>374</b>
	Common Problems.....	374
	Cannot Change Parameter Settings .....	374
	Motor Does Not Rotate Properly after Pressing RUN Button or after Entering External Run Command .....	375
	Motor is Too Hot.....	376
	Drive Does Not Allow Selection of the Desired Auto-Tuning Mode.....	377
	oPE02 Error Occurs When Lowering the Motor Rated Current Setting .....	377
	Motor Stalls during Acceleration or Acceleration Time is Too Long.....	377
	Drive Frequency Reference Differs from the Controller Frequency Reference Command .....	378
	Excessive Motor Oscillation and Erratic Rotation.....	378
	Noise From Drive or Motor Cables When the Drive is Powered On .....	378
	Ground Fault Circuit Interrupter (GFCI) Trips During Run .....	379
	Connected Machinery Vibrates When Motor Rotates .....	379
	PID Output Fault.....	379
	Insufficient Starting Torque .....	380
	Motor Rotates after the Drive Output is Shut Off (Motor Rotates During DC Injection Braking) .....	380
	Output Frequency is Not as High as Frequency Reference.....	380
	Sound from Motor.....	380
	Unstable Motor Speed when Using PM .....	380
	Motor Does Not Restart after Power Loss.....	381
	The Safety Controller Does Not Recognize Safe Disable Monitor Output Signals (Terminals DM + and DM-).....	381
<b>7.</b>	<b>PERIODIC INSPECTION &amp; MAINTENANCE</b> .....	<b>383</b>
<b>7.1</b>	<b>Section Safety</b> .....	<b>384</b>
<b>7.2</b>	<b>Inspection</b> .....	<b>386</b>
	Recommended Daily Inspection.....	386
	Recommended Periodic Inspection.....	387
<b>7.3</b>	<b>Periodic Maintenance</b> .....	<b>389</b>
	Replacement Parts.....	389
<b>7.4</b>	<b>Drive Cooling Fans</b> .....	<b>391</b>
	Number of Cooling Fans .....	391
	Cooling Fan Component Names .....	392
	Cooling Fan Replacement: 2□0028 to 2□0130 and 4□0011 to 4□0124 .....	393
	Cooling Fan Replacement: 2□0154, 2□0192, 4□0156, and 4□0180 .....	395
	Cooling Fan Replacement: 2□0248 and 4□0216 to 4□0414 .....	399
	Installing the Cooling Fan.....	401
<b>7.5</b>	<b>Drive Replacement</b> .....	<b>405</b>

Serviceable Parts .....	405
Terminal Board.....	405
Replacing the Drive .....	405
<b>8. PERIPHERAL DEVICES &amp; OPTIONS .....</b>	<b>409</b>
<b>8.1 Section Safety.....</b>	<b>410</b>
<b>8.2 Drive Options and Peripheral Devices .....</b>	<b>412</b>
<b>8.3 Connecting Peripheral Devices .....</b>	<b>414</b>
<b>8.4 Option Installation .....</b>	<b>415</b>
Prior to Installing the Option .....	415
PG Option Installation Example .....	415
<b>8.5 Installing Peripheral Devices .....</b>	<b>425</b>
Installing a Molded Case Circuit Breaker (MCCB) or Ground Fault Circuit Interrupter (GFCI) .....	425
Installing a Magnetic Contactor at the Power Supply Side.....	425
Connecting a Surge Absorber .....	426
Reducing Noise .....	426
Attachment for External Heatsink Mounting .....	426
Internal EMC Filter Model Installation .....	426
Installing a Motor Thermal Overload (oL) Relay on the Drive Output .....	426
<b>A. SPECIFICATIONS .....</b>	<b>429</b>
<b>A.1 Heavy Duty and Normal Duty Ratings .....</b>	<b>430</b>
<b>A.2 Power Ratings .....</b>	<b>431</b>
Three-Phase 200 V Class Drive Models 2□0028 to 2□0081 .....	431
Three-Phase 200 V Class Drive Models 2□0104 to 2□0248.....	432
Three-Phase 400 V Class Drive Models 4□0011 to 4□0077 .....	433
Three-Phase 400 V Class Drive Models 4□0096 to 4□0414.....	434
<b>A.3 Drive Specifications .....</b>	<b>435</b>
<b>A.4 Drive Watt Loss Data .....</b>	<b>437</b>
<b>A.5 Drive Derating Data .....</b>	<b>438</b>
Rated Current Depending on Carrier Frequency .....	438
Carrier Frequency Derating.....	438
Temperature Derating .....	439
Altitude Derating.....	439
<b>B. PARAMETER LIST.....</b>	<b>441</b>
<b>B.1 Understanding Parameter Descriptions.....</b>	<b>442</b>
Control Modes, Symbols, and Terms .....	442
<b>B.2 Parameter Groups .....</b>	<b>443</b>
<b>B.3 A: Initialization Parameters .....</b>	<b>444</b>
A1: Initialization .....	444
A2: User Parameters.....	445
<b>B.4 b: Application.....</b>	<b>446</b>
b1: Operation Mode Selection.....	446
b2: DC Injection Braking.....	447
b3: Speed Search.....	448
b4: Timer Function .....	450
b5: PID Control.....	451
b6: Dwell Function.....	453

## Table of Contents

---

b7: Droop Control .....	453
b8: Energy Saving .....	454
b9: Zero Servo.....	454
<b>B.5 C: Tuning.....</b>	<b>455</b>
C1: Acceleration and Deceleration Times .....	455
C2: S-Curve Characteristics .....	456
C3: Slip Compensation.....	456
C4: Torque Compensation .....	457
C5: Automatic Speed Regulator (ASR) .....	457
C6: Carrier Frequency .....	459
C7: Voltage Adjustment.....	460
<b>B.6 d: Reference Settings .....</b>	<b>461</b>
d1: Frequency Reference .....	461
d2: Frequency Upper/Lower Limits .....	463
d3: Jump Frequency.....	463
d4: Frequency Reference Hold and Up/Down 2 Function.....	463
d5: Torque Control .....	464
d6: Field Weakening and Field Forcing.....	465
d7: Offset Frequency.....	465
<b>B.7 E: Motor Parameters .....</b>	<b>467</b>
E1: V/f Pattern for Motor 1 .....	467
E2: Motor 1 Parameters .....	468
E3: V/f Pattern for Motor 2.....	469
E4: Motor 2 Parameters .....	470
E5: PM Motor Settings .....	471
<b>B.8 F: Option Settings .....</b>	<b>473</b>
F1: PG Speed Control Card Settings (PG-B3, PG-X3, PG-RT3, PG-F3) .....	473
F2: Analog Input Card Settings (AI-A3).....	476
F3: Digital Input Card Settings (DI-A3).....	476
F4: Analog Monitor Card Settings (AO-A3).....	476
F5: Digital Output Card Settings (DO-A3) .....	477
F6: Communication Option Card Settings (SI-C3, SI-ET3, SI-N3, SI-P3, SI-S3, SI-T3, SI-W3) .....	478
F7: Communication Option Card Settings (SI-EM3, SI-EN3, SI-EP3) .....	480
<b>B.9 H Parameters: Multi-Function Terminals .....</b>	<b>483</b>
H1: Multi-Function Digital Inputs .....	483
H2: Multi-Function Digital Outputs.....	488
H3: Multi-Function Analog Inputs .....	492
H4: Analog Outputs .....	494
H5: MEMOBUS/Modbus Serial Communication .....	495
H6: Pulse Train Input/Output.....	496
<b>B.10 L: Protection Function .....</b>	<b>498</b>
L1: Motor Protection .....	498
L2: Momentary Power Loss Ride-Thru.....	499
L3: Stall Prevention .....	500
L4: Speed Detection.....	501
L5: Fault Restart.....	502
L6: Torque Detection.....	502
L7: Torque Limit .....	504
L8: Drive Protection.....	504
L9: Drive Protection 2.....	506
<b>B.11 n: Special Adjustments.....</b>	<b>507</b>



n1: Hunting Prevention .....	507
n2: Speed Feedback Detection Control (AFR) Tuning .....	507
n3: Overexcitation Braking .....	507
n5: Feed Forward Control .....	508
n6: Online Tuning .....	508
n8: PM Motor Control Tuning .....	508
<b>B.12 o: Operator-Related Settings .....</b>	<b>511</b>
o1: Digital Operator Display Selection .....	511
o2: Digital Operator Keypad Functions .....	511
o3: Copy Function .....	512
o4: Maintenance Monitor Settings .....	512
<b>B.13 DriveWorksEZ Parameters .....</b>	<b>514</b>
q: DriveWorksEZ Parameters .....	514
r: DriveWorksEZ Connection Parameters .....	514
<b>B.14 T: Motor Tuning .....</b>	<b>515</b>
T1: Induction Motor Auto-Tuning .....	515
T2: PM Motor Auto-Tuning .....	516
T3: ASR and Inertia Tuning .....	518
<b>B.15 U: Monitors .....</b>	<b>519</b>
U1: Operation Status Monitors .....	519
U2: Fault Trace .....	521
U3: Fault History .....	523
U4: Maintenance Monitors .....	523
U5: PID Monitors .....	525
U6: Operation Status Monitors .....	526
U8: DriveWorksEZ Monitors .....	528
U9: Power Monitors .....	528
<b>B.16 Control Mode Dependent Parameter Default Values .....</b>	<b>530</b>
A1-02 (Motor 1 Control Mode) Dependent Parameters .....	530
E3-01 (Motor 2 Control Mode) Dependent Parameters .....	533
<b>B.17 V/f Pattern Default Values .....</b>	<b>534</b>
<b>B.18 Defaults by Drive Model and Duty Rating ND/HD .....</b>	<b>536</b>
<b>B.19 Parameters Changed by Motor Code Selection (for PM Motors) .....</b>	<b>542</b>
Yaskawa SMRA Series SPM Motor .....	542
Yaskawa SSR1 Series IPM Motor (For Derated Torque) .....	543
Yaskawa SST4 Series IPM Motor (For Constant Torque) .....	550
<b>C. MEMOBUS/MODBUS COMMUNICATIONS .....</b>	<b>559</b>
<b>C.1 MEMOBUS/Modbus Configuration .....</b>	<b>560</b>
<b>C.2 Communication Specifications .....</b>	<b>561</b>
<b>C.3 Connecting to a Network .....</b>	<b>562</b>
Network Cable Connection .....	562
Wiring Diagram for Multiple Connections .....	563
Network Termination .....	564
<b>C.4 MEMOBUS/Modbus Setup Parameters .....</b>	<b>565</b>
MEMOBUS/Modbus Serial Communication .....	565
<b>C.5 Drive Operations by MEMOBUS/Modbus .....</b>	<b>568</b>
Observing the Drive Operation .....	568
Controlling the Drive .....	568

<b>C.6</b>	<b>Communications Timing</b> .....	<b>569</b>
	Command Messages from Master to Drive .....	569
	Response Messages from Drive to Master .....	569
<b>C.7</b>	<b>Message Format</b> .....	<b>570</b>
	Message Content .....	570
	Slave Address .....	570
	Function Code .....	570
	Data .....	570
	Error Check .....	570
<b>C.8</b>	<b>Message Examples</b> .....	<b>572</b>
	Reading Drive MEMOBUS/Modbus Register Contents .....	572
	Loopback Test.....	572
	Writing to Multiple Registers.....	573
<b>C.9</b>	<b>MEMOBUS/Modbus Data Table</b> .....	<b>574</b>
	Command Data .....	574
	Monitor Data.....	575
	Broadcast Messages.....	587
	Fault Trace Contents.....	587
	Alarm Register Contents .....	589
<b>C.10</b>	<b>Enter Command</b> .....	<b>590</b>
	Enter Command Types .....	590
<b>C.11</b>	<b>Communication Errors</b> .....	<b>591</b>
	MEMOBUS/Modbus Error Codes.....	591
	Slave Not Responding.....	591
<b>C.12</b>	<b>Self-Diagnostics</b> .....	<b>592</b>
<b>D.</b>	<b>STANDARDS COMPLIANCE</b> .....	<b>593</b>
<b>D.1</b>	<b>Section Safety</b> .....	<b>594</b>
<b>D.2</b>	<b>European Standards</b> .....	<b>596</b>
	CE Low Voltage Directive Compliance.....	596
	EMC Guidelines Compliance .....	596
<b>D.3</b>	<b>UL and CSA Standards</b> .....	<b>599</b>
	UL Standards Compliance .....	599
	Drive Motor Overload Protection .....	607
<b>D.4</b>	<b>Safe Disable Input</b> .....	<b>610</b>
	Safe Disable Input Function .....	610
	Precautions .....	610
	Using the Safe Disable Function .....	611
<b>E.</b>	<b>QUICK REFERENCE SHEET</b> .....	<b>615</b>
<b>E.1</b>	<b>Drive and Motor Specifications</b> .....	<b>616</b>
	Drive Specifications.....	616
	Motor Specifications .....	616
<b>E.2</b>	<b>Basic Parameter Settings</b> .....	<b>618</b>
	Basic Setup .....	618
	V/f Pattern Setup .....	618
	Motor Setup.....	618
	Multi-Function Digital Inputs .....	619

Pulse Train Input/Analog Inputs ..... 619  
Multi-Function Digital Outputs ..... 619  
Monitor Outputs..... 619  
**E.3 User Setting Table .....620**  
**INDEX ..... 629**

**This Page Intentionally Blank**

# Preface & General Safety

---

This section provides safety messages pertinent to this product that, if not heeded, may result in fatality, personal injury, or equipment damage. Yaskawa is not responsible for the consequences of ignoring these instructions.

<b>i.1</b>	<b>PREFACE.....</b>	<b>18</b>
<b>i.2</b>	<b>GENERAL SAFETY.....</b>	<b>20</b>

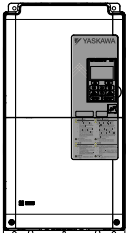
## i.1 Preface

Yaskawa manufactures products used as components in a wide variety of industrial systems and equipment. The selection and application of Yaskawa products remain the responsibility of the equipment manufacturer or end user. Yaskawa accepts no responsibility for the way its products are incorporated into the final system design. Under no circumstances should any Yaskawa product be incorporated into any product or design as the exclusive or sole safety control. Without exception, all controls should be designed to detect faults dynamically and fail safely under all circumstances. All systems or equipment designed to incorporate a product manufactured by Yaskawa must be supplied to the end user with appropriate warnings and instructions as to the safe use and operation of that part. Any warnings provided by Yaskawa must be promptly provided to the end user. Yaskawa offers an express warranty only as to the quality of its products in conforming to standards and specifications published in the Yaskawa manual. **NO OTHER WARRANTY, EXPRESS OR IMPLIED, IS OFFERED.** Yaskawa assumes no liability for any personal injury, property damage, losses, or claims arising from misapplication of its products.

This manual is designed to ensure correct and suitable application of U1000-Series Drives. Read this manual before attempting to install, operate, maintain, or inspect a drive and keep it in a safe, convenient location for future reference. Be sure you understand all precautions and safety information before attempting application.

### ◆ Applicable Documentation

The following manuals are available for U1000-series drives:

	U1000 Industrial MATRIX Drive Technical Manual
	The most recent version of this manual is available for download on our documentation website, <a href="http://www.yaskawa.com">www.yaskawa.com</a> . This manual provides detailed information on parameter settings, drive functions, and MEMOBUS/Modbus specifications. Use this manual to expand drive functionality and to take advantage of higher performance features.
	U1000 Industrial MATRIX Drive Quick Start Guide
	Read this guide first. This guide is packaged together with the product and contains basic information required to install and wire the drive. It also gives an overview of fault diagnostics, maintenance safety, and parameter settings. The most recent version of this manual is available for download on our documentation website, <a href="http://www.yaskawa.com">www.yaskawa.com</a> .

### ◆ Symbols

**Note:** Indicates a supplement or precaution that does not cause drive damage.

### ◆ Terms and Abbreviations

- **Drive:** Yaskawa U1000-Series Drive
- **BCD:** Binary Coded Decimal
- **H:** Hexadecimal Number Format
- **IGBT:** Insulated Gate Bipolar Transistor
- **kbps:** Kilobits per Second
- **MAC:** Media Access Control
- **Mbps:** Megabits per Second
- **PG:** Pulse Generator
- **r/min:** Revolutions per Minute
- **V/f:** V/f Control
- **V/f w/PG:** V/f Control with PG
- **OLV:** Open Loop Vector Control
- **CLV:** Closed Loop Vector Control
- **OLV/PM:** Open Loop Vector Control for PM
- **AOLV/PM:** Advanced Open Loop Vector Control for PM
- **CLV/PM:** Closed Loop Vector Control for PM
- **PM motor:** Permanent Magnet Synchronous motor (an abbreviation for IPM motor or SPM motor)
- **IPM motor:** Interior Permanent Magnet Motor (e.g., Yaskawa SSR1 Series and SST4 Series motors)
- **SPM motor:** Surface mounted Permanent Magnet Motor (e.g., Yaskawa SMRA Series motors)

## ◆ Trademarks

- BACnet is a trademark of the American Society of Heating, Refrigerating, and Air-Conditioning Engineers (ASHRAE).
- CANopen is a trademark of CAN in Automation (CiA).
- CC-Link is a trademark of CC-Link Partner Association (CLPA).
- DeviceNet is a trademark of Open DeviceNet Vendor Association, Inc. (ODVA).
- EtherCAT is a trademark of Beckhoff Automation GmbH, Germany.
- EtherNet/IP is a trademark of Open DeviceNet Vendor Association, Inc. (ODVA).
- LonWorks is a trademark of Echelon Corporation.
- MECHATROLINK-II and MECHATROLINK-III are trademarks of MECHATROLINK Members Association (MMA).
- Modbus is a trademark of Schneider Electric.
- PROFIBUS-DP is a trademark of PROFIBUS International (PI).
- PROFNET is a trademark of PROFIBUS International (PI).
- Other companies and product names mentioned in this manual are trademarks of those companies.

## i.2 General Safety

### ◆ Supplemental Safety Information

#### General Precautions

- The diagrams in this manual may be indicated without covers or safety shields to show details. Replace the covers or shields before operating the drive and run the drive according to the instructions described in this manual.
- Any illustrations, photographs, or examples used in this manual are provided as examples only and may not apply to all products to which this manual is applicable.
- The products and specifications described in this manual or the content and presentation of the manual may be changed without notice to improve the product and/or the manual.
- When ordering a new copy of the manual due to damage or loss, contact your Yaskawa representative or the nearest Yaskawa sales office and provide the manual number shown on the front cover.
- If nameplate becomes worn or damaged, order a replacement from your Yaskawa representative or the nearest Yaskawa sales office.

#### WARNING

Read and understand this manual before installing, operating or servicing this drive. The drive must be installed according to this manual and local codes.

The following conventions are used to indicate safety messages in this manual. Failure to heed these messages could result in serious or fatal injury or damage to the products or to related equipment and systems.

#### DANGER

Indicates a hazardous situation, which, if not avoided, will result in death or serious injury.

#### WARNING

Indicates a hazardous situation, which, if not avoided, could result in death or serious injury.

**WARNING!** may also be indicated by a bold key word embedded in the text followed by an italicized safety message.

#### CAUTION

Indicates a hazardous situation, which, if not avoided, could result in minor or moderate injury.

**CAUTION!** may also be indicated by a bold key word embedded in the text followed by an italicized safety message.

#### NOTICE

Indicates a property damage message.

**NOTICE:** may also be indicated by a bold key word embedded in the text followed by an italicized safety message.



## ◆ Safety Messages

### DANGER

#### **Heed the safety messages in this manual.**

Failure to comply will result in death or serious injury.

The operating company is responsible for any injuries or equipment damage resulting from failure to heed the warnings in this manual.

#### **Electrical Shock Hazard**

##### **Before servicing, disconnect all power to the equipment.**

The capacitor for the control power supply remains charged even after the power supply is turned off. The charge indicator LED will extinguish when the control power supply voltage is below 50 Vdc. To prevent electric shock, wait for at least the time specified on the warning label, once all indicators are OFF, measure for unsafe voltages to confirm the drive is safe prior to servicing.

Failure to comply will result in death or serious injury.

### WARNING

#### **Sudden Movement Hazard**

##### **System may start unexpectedly upon application of power, resulting in death or serious injury.**

Clear all personnel from the drive, motor and machine area before applying power. Secure covers, couplings, shaft keys and machine loads before applying power to the drive.

#### **Electrical Shock Hazard**

##### **Do not attempt to modify or alter the drive in any way not explained in this manual.**

Failure to comply could result in death or serious injury.

Yaskawa is not responsible for any modification of the product made by the user. This product must not be modified.

##### **Do not allow unqualified personnel to use equipment.**

Failure to comply could result in death or serious injury.

Installation, maintenance, inspection, and service must be performed only by authorized personnel familiar with installation, adjustment and maintenance of AC drives.

##### **Do not remove covers or touch circuit boards while the power is on.**

Failure to comply could result in death or serious injury.

##### **Make sure the protective earthing conductor complies with technical standards and local safety regulations.**

Because the leakage current exceeds 3.5 mA in models 4□0302 and larger, IEC/EN 61800-5-1 states that either the power supply must be automatically disconnected in case of discontinuity of the protective earthing conductor or a protective earthing conductor with a cross-section of at least 10 mm<sup>2</sup> (Cu) or 16 mm<sup>2</sup> (Al) must be used. Failure to comply may result in death or serious injury.

##### **Always use appropriate equipment for Ground Fault Circuit Interrupters (GFCIs).**

The drive can cause a residual current with a DC component in the protective earthing conductor. Where a residual current operated protective or monitoring device is used for protection in case of direct or indirect contact, always use a type B GFCI according to IEC/EN 60755.

#### **Fire Hazard**

##### **Do not use an improper voltage source.**

Failure to comply could result in death or serious injury by fire.

Verify that the rated voltage of the drive matches the voltage of the incoming power supply before applying power.

### WARNING

**Install adequate branch circuit protection according to applicable local codes and this Installation Manual. Failure to comply could result in fire and damage to the drive or injury to personnel.**

The device is suitable for use on a circuit capable of delivering not more than 100,000 RMS symmetrical amperes, 240 Vac maximum (200 V class), 480 Vac maximum (400 V class: 4E□□□□ and 4W□□□□), and 500 Vac maximum (400 V class: 4A□□□□ and 4P□□□□) when protected by branch circuit protection devices specified in this document.

#### **Crush Hazard**

**Do not use this drive in lifting applications without installing external safety circuitry to prevent accidental dropping of the load.**

**The drive does not possess built-in load drop protection for lifting applications.**

Failure to comply could result in death or serious injury from falling loads.

Install electrical and/or mechanical safety circuit mechanisms independent of drive circuitry.

### CAUTION

#### **Crush Hazard**

**Do not carry the drive by the front cover.**

Failure to comply may result in minor or moderate injury from the main body of the drive falling.

### NOTICE

**Observe proper electrostatic discharge procedures (ESD) when handling the drive and circuit boards.**

Failure to comply may result in ESD damage to the drive circuitry.

**Do not perform a withstand voltage test on any part of the drive.**

Failure to comply could result in damage to the sensitive devices within the drive.

**Do not operate damaged equipment.**

Failure to comply could result in further damage to the equipment.

Do not connect or operate any equipment with visible damage or missing parts.

**If a fuse is blown or a Ground Fault Circuit Interrupter (GFCI) is tripped, check the wiring and the selection of the peripheral devices.**

Contact your supplier if the cause cannot be identified after checking the above.

**Do not restart the drive immediately operate the peripheral devices if a fuse is blown or a GFCI is tripped.**

Check the wiring and the selection of peripheral devices to identify the cause. Contact your supplier before restarting the drive or the peripheral devices if the cause cannot be identified.

**Do not expose the drive to halogen group disinfectants.**

Failure to comply may cause damage to the electrical components in the drive.

Do not pack the drive in wooden materials that have been fumigated or sterilized.

Do not sterilize the entire package after the product is packed.

## ◆ General Application Precautions

### ■ Selection

#### Drive Rated Output Current

Make sure that the motor rated current is less than the rated output current for the drive.

#### When 2 Seconds is Required for Momentary Power Loss Ride-Thru Time

Use the units listed below when continuing drive operation after the power is restored even after a momentary loss of power of 2 seconds occurs:

- 200 V class Momentary Power Loss Ride-Thru unit: Model no. P0010
- 400 V class Momentary Power Loss Ride-Thru unit: Model no. P0020

#### Drive Start-Up Time

The drive requires 1.5 seconds to prepare for operation after the power is turned on. Be mindful of this delay when using an external reference input.

**Note:** 1.5 seconds is the required time when no optional devices are used with the drive. When using an optional communication device, the time required for the drive to be ready for operation will vary in accordance with the start up time of the communication card.

#### Selection of Power Supply Capacity

Use a power supply greater than the rated input capacity (kVA) of the drive. If the power supply is lower than the rated capacity of the drive, the device will be unable to run the application properly and will trigger a fault.

The rated input capacity of the drive,  $S_{CONV}$  (kVA), can be calculated by the following formula:

$$S_{CONV} = \sqrt{3} \times I_{in} \times V_{in} / 1000$$

( $I_{in}$ : Rated input current [A],  $V_{in}$ : Applicable power supply voltage [V])

#### Connection to Power Supply

The total impedance of the power supply and wiring for the rated current of the drive is %Z = 10% or more. Power voltage distortion may occur when the impedance of the power supply is too large. When wiring over long distances, be sure to take preventative measures such as using thick cables or series wiring to lower the impedance of wiring. Contact Yaskawa or your Yaskawa agent for details.

#### Grounding the Power Supply

Yaskawa recommends using a dedicated ground for the power supply, as the drive is designed to run with a 1:1 ratio relative to the power supply. Ground other devices should as directed in the specifications for those devices. Take particular care when connecting sensitive electronic equipment such as OA devices. Separate ground lines and install a noise filter to prevent problems from noise.

#### When Using a Generator as a Power Supply

Select the generator capacity approximately twice as large as the drive input power supply capacity. Set the deceleration time or load so that the regenerative power from the motor will be 10% or less of the generator capacity. For further information, contact a Yaskawa representative.

#### When a Phase Advance Capacitor or Thyristor Controller is Provided for the Power Supply

The drive does not require a phase advance capacitor. Installing a phase advance capacitor to the drive will weaken the power factor.

Attach a phase-advance capacitor with a series reactor to prevent oscillation with the drive after installing the phase advance capacitor on the same power supply system as the drive.

Contact Yaskawa or your Yaskawa agent when a device generating voltage surge or voltage distortion such as DC motor drive thyristor controller or magnetic agitator is installed on the same power supply system.

#### Prevention Against EMC or Harmonic Leakage Current

Use units with built-in EMC filters that have the CE marking.

Use a zero-phase reactor as a noise filter when a device that will be affected by noise is near the drive.

#### Effects of Power Supply Distortion

Distortion of the power supply voltage increases the harmonics contents due to power supply harmonics entering the drive.

#### Starting Torque

The startup and acceleration characteristics of the motor are restricted to the drive overload current rating (HD: 150% 60 s, ND: 120% 60 s).

## i.2 General Safety

---

The overload rating for the drive determines the starting and accelerating characteristics of the motor. Expect lower torque than when running from line power. To achieve a higher starting torque, use a larger drive or a drive and motor with larger capacity.

### Emergency Stop

During a drive fault condition, the output shuts off but the motor does not stop immediately. A mechanical brake may be required when it is necessary to stop the motor faster than the ability of the Fast Stop function of the drive.

### Repetitive Starting/Stopping

Laundry machines, punching presses, and other applications with frequent starts and stops often approach 150% of their rated output current values. Heat stress generated from repetitive high current will shorten the life span of the IGBTs. The expected life span of the IGBTs is about 8 million start and stop cycles with a 4 kHz carrier frequency and a 150% peak current.

Run only one motor from each drive when using vector control. It is not possible to run more than one motor from one drive with vector control.

### ■ Carrier Frequency Derating

Reduce the rated output current of the drive when increasing the carrier frequency above the factory default setting. *Refer to [Rated Current Depending on Carrier Frequency on page 438](#)* for details.

### ■ Installation

#### Enclosure Panels

Keep the drive in a clean environment by installing the drive in an enclosure panel or selecting an installation area free of airborne dust, lint, and oil mist. Be sure to leave the required space between drives to provide for cooling, and take proper measures so the ambient temperature remains within allowable limits and keep flammable materials away from the drive. Yaskawa offers protective designs for drives that must be used in areas subjected to oil mist and excessive vibration. Contact Yaskawa or your Yaskawa agent for details.

#### Installation Direction

**NOTICE:** *Install the drive upright as specified in the manual. [Refer to Mechanical Installation on page 50](#) for more information on installation. Failure to comply may damage the drive due to improper cooling.*

### ■ Settings

#### Motor Code

When using a permanent magnet motor, set the proper motor code to parameter E5-01 before performing a trial run.

#### Upper Limits

**NOTICE:** *The drive is capable of running the motor up to 400 Hz. Be sure to set the upper limit for the frequency of the drive to prevent the possible danger of accidentally operating equipment at higher than rated speed. The default setting for the maximum output frequency is 60 Hz.*

#### DC Injection Braking

**NOTICE:** *Excessive current during DC Injection Braking and excessive duration of DC Injection Braking can cause motor overheat.*

#### Acceleration/Deceleration Times

Acceleration and deceleration times are affected by the amount of torque generated by the motor, the load torque, and the moment of inertia. Set a longer accel/decel time when Stall Prevention is enabled. The accel/decel times are lengthened for as long as the Stall Prevention function is in operation. Use a larger drive and motor for faster acceleration and deceleration.

### ■ General Handling

#### Wiring Check

**NOTICE:** *Be sure to perform a final check of all sequence wiring and other connections before turning on the power and also check for short circuits on the control terminals, which may damage the drive.*

#### Selecting a Circuit Breaker or Circuit Interrupter

Yaskawa recommends installing a Ground Fault Circuit Interrupter (GFCI) to the power supply side. The GFCI should be designed for use with AC drives (e.g., Type B according to IEC/EN 60755).

Select a Molded Case Circuit Breaker (MCCB) or GFCI with a rated current 1.5 to 2 times higher than the drive rated current to avoid nuisance trips caused by harmonics in the drive input current. *Refer to [Installing a Molded Case Circuit Breaker \(MCCB\) or Ground Fault Circuit Interrupter \(GFCI\) on page 425](#)* for more information.

### Magnetic Contactor Installation

**WARNING! Fire Hazard.** Shut off the drive with a magnetic contactor (MC) when a fault occurs in any external equipment such as braking resistors. Refer to [Installing a Magnetic Contactor at the Power Supply Side on page 425](#). Failure to comply may cause resistor overheating, fire, and injury to personnel.

**NOTICE:** To get the full performance life out of the capacitor for the control power supply and circuit relays, refrain from switching the drive power supply off and on more than once every 30 minutes. Frequent use can damage the drive. Use the drive to stop and start the motor.

### Inspection and Maintenance

**WARNING! Electrical Shock Hazard.** Capacitors for the control power supply do not immediately discharge after shutting off the power. Wait for at least the amount of time specified on the drive before touching any components after shutting off the power. Failure to comply may cause injury to personnel from electrical shock.

**WARNING! Electrical Shock Hazard.** When a drive is running a PM motor, voltage continues to be generated at the motor terminals after the drive is shut off while the motor coasts to stop. Take the precautions described below to prevent shock and injury:

- In applications where the machine can still rotate after the drive has fully stopped a load, install a switch to the drive output side to disconnect the motor and the drive.
- Do not allow an external force to rotate the motor beyond the maximum allowable speed or to rotate the motor when the drive has been shut off.
- Wait for at least the time specified on the warning label after opening the load switch on the output side before inspecting the drive or performing any maintenance.
- Do not open and close the load switch while the motor is running.
- If the motor is coasting, make sure the power to the drive is turned on and the drive output has completely stopped before closing the load switch.

**WARNING! Burn Hazard.** Because the heatsink can get very hot during operation, take proper precautions to prevent burns. When replacing the cooling fan, shut off the power and wait at least 15 minutes to be sure that the heatsink has cooled down. Failure to comply may cause burn injury to personnel.

### Wiring

All wire ends should use ring terminals for UL/cUL compliance. Use only the tools recommended by the terminal manufacturer for crimping.

### Transporting the Drive

**NOTICE:** Never steam clean the drive. During transport, keep the drive from coming into contact with salts, fluorine, bromine, phthalate ester, and other such harmful chemicals.

## ◆ Motor Application Precautions

### ■ Standard Induction Motors

#### Low-Speed Range

The cooling fan of a standard motor should sufficiently cool the motor at the rated speed. As the self-cooling capability of such a motor decreases with the speed, applying full torque at low speed will possibly damage the motor. Reduce the load torque as the motor slows to prevent motor damage from overheat. [Figure i.1](#) shows the allowable load characteristics for a Yaskawa standard motor. Use a motor designed specifically for operation with a drive when 100% continuous torque is needed at low speeds.

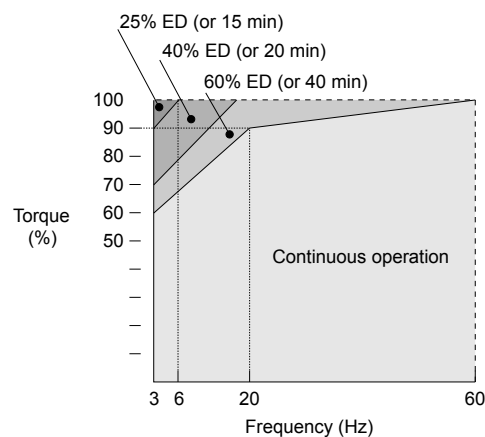


Figure i.1 Allowable Load Characteristics for a Yaskawa Motor

### Insulation Tolerance

**NOTICE:** Consider motor voltage tolerance levels and motor insulation in applications with an input voltage of over 440 V or particularly long wiring distances.

## i.2 General Safety

---

### High-Speed Operation

**NOTICE:** Problems may occur with the motor bearings and dynamic balance of the machine when operating a motor beyond its rated speed. Contact the motor or machine manufacturer.

### Torque Characteristics

Torque characteristics differ compared to operating the motor directly from line power. The user should have a full understanding of the load torque characteristics for the application.

### Vibration and Shock

The drive allows selection of high carrier PWM control. Selecting Closed Loop Vector control can help reduce motor oscillation.

- Take particular caution when adding a variable speed drive to an application running a motor from line power at a constant speed. If resonance occurs, install shock-absorbing rubber around the base of the motor and enable the Jump frequency selection to prevent continuous operation in the resonant frequency range.
- Mechanical resonance can occur with long motor shafts and in applications such as turbines, blowers, and fans with high inertia loads.

### Audible Noise

The audible noise of the motor varies based on the carrier frequency setting. However, drive current derating may be required. When using a high carrier frequency, audible noise from the motor is comparable to the motor noise generated when running from line power.

### Synchronous Motors

- Contact Yaskawa or a Yaskawa agent when planning to use a synchronous motor not endorsed by Yaskawa.
- Use a standard induction motor when running multiple synchronous motors simultaneously. A single drive does not have this capability.
- A synchronous motor may rotate slightly in the opposite direction of the Run command at start depending on parameter settings and rotor position.
- The amount of generated starting torque differs depending on the control mode and motor type. Set up the motor with the drive after verifying the starting torque, allowable load characteristics, impact load tolerance, and speed control range.

Contact Yaskawa or a Yaskawa agent when planning to use a motor that does not fall within these specifications:

- In Open Loop Vector Control for PM motors, the allowable load inertia is approximately 50 times higher than the motor inertia.

Contact Yaskawa or a Yaskawa agent for questions concerning applications with larger inertia.

- When using a holding brake in Open Loop Vector Control for PM motors, release the brake prior to starting the motor. Failure to set the proper timing can cause speed loss.
- Use the Speed Search function to restart a coasting motor rotating over 200 Hz while in V/f Control.

## ■ Specialized Motors

### Multi-Pole Motor

The rated current of a multi-pole motor differs from that of a standard motor, so be sure to check the maximum current when selecting a drive. Always stop the motor before switching between the number of motor poles. The motor will coast to stop if a regen overvoltage (ov) fault occurs or if overcurrent (oC) protection is triggered.

### Submersible Motor

The rated current of a submersible motor is greater than that of a standard motor, so select the drive accordingly. Use a motor cable large enough to avoid decreasing the maximum torque level from voltage drop caused by a long motor cable.

### Explosion-Proof Motor

The motor and the drive must be tested together to be certified as explosion-proof. The drive is not designed for explosion-proof areas.

When attaching an encoder to an explosion-proof motor, make sure the encoder is also explosion-proof. Use an insulating signal converter to connect the encoder signal lines to the speed feedback option card.

### Geared Motor

Make sure that the gear and the lubricant are rated for the desired speed range to avoid gear damage when operating at low speeds or very high speeds. Consult with the manufacturer for applications that require operation outside the rated speed range of the motor or gear box.

**Single-Phase Motor**

Variable speed drives are not designed to operate with single phase motors. Using capacitors to start the motor causes excessive current to flow and can damage drive components. A split-phase start or a repulsion start can burn out the starter coils because the internal centrifugal switch is not activated. The drive is for use with three-phase motors only.

**Motor with Brake**

Take caution when using the drive to operate a motor with a built-in holding brake. If the brake is connected to the output side of the drive, it may not release at start due to low voltage levels, so be sure to install a separate power supply for the motor brake. Note that motors with built-in brakes tend to generate a fair amount of noise when running at low speeds.

**Notes on Power Transmission Machinery**

Installing an AC drive in machinery that was previously connected directly to the power supply will allow the machine to operate at variable speeds. Continuous operation outside of the rated speeds can wear out lubrication material in gear boxes and other power transmission parts. Make sure that lubrication is sufficient within the entire speed range to avoid machine damage. Note that operation above the rated speed can increase the noise generated by the machine.

### ◆ Drive Label Warning Example

Always heed the warning information listed in *Figure i.2*.

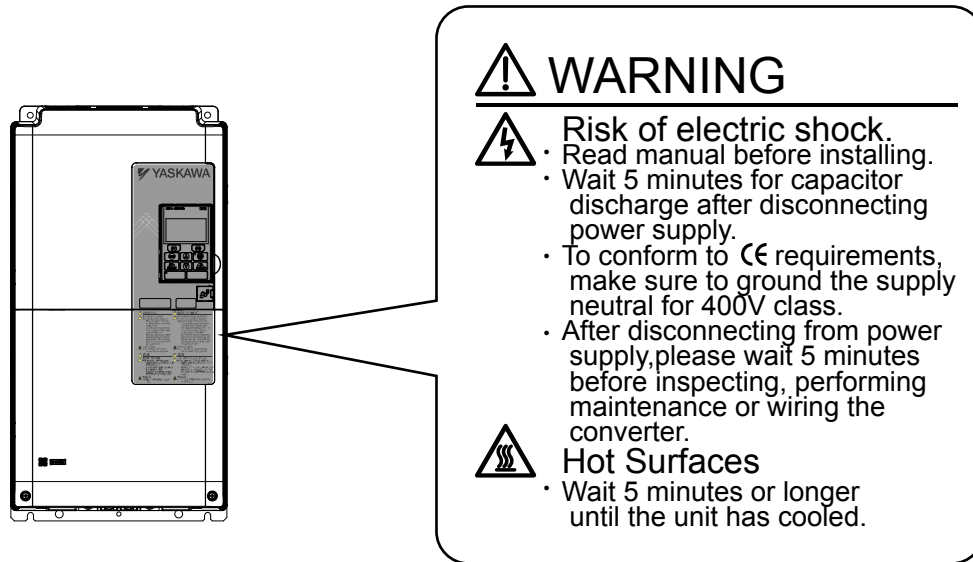


Figure i.2 Warning Information Example and Position

### ◆ Warranty Information

#### ■ Restrictions

The drive is not designed or manufactured for use in devices or systems that may directly affect or threaten human lives or health.

Customers who intend to use the product described in this manual for devices or systems relating to transportation, health care, space aviation, atomic power, electric power, or in underwater applications must first contact their Yaskawa representatives or the nearest Yaskawa sales office.

**WARNING!** *Injury to Personnel. This product has been manufactured under strict quality-control guidelines. However, if this product is to be installed in any location where failure of this product could involve or result in a life-and-death situation or loss of human life or in a facility where failure may cause a serious accident or physical injury, safety devices must be installed to minimize the likelihood of any accident.*



## Receiving

---

This chapter explains how to inspect the drive upon receipt, and gives an overview of the different enclosure types and components.

<b>1.1</b>	<b>SECTION SAFETY.....</b>	<b>30</b>
<b>1.2</b>	<b>GENERAL DESCRIPTION.....</b>	<b>31</b>
<b>1.3</b>	<b>MODEL NUMBER AND NAMEPLATE CHECK.....</b>	<b>34</b>
<b>1.4</b>	<b>DRIVE MODELS AND ENCLOSURE TYPES.....</b>	<b>37</b>
<b>1.5</b>	<b>COMPONENT NAMES.....</b>	<b>38</b>

## 1.1 Section Safety

### CAUTION

**Do not carry the drive by the front cover or the terminal cover.**

Failure to comply may cause the main body of the drive to fall, resulting in minor or moderate injury.

### NOTICE

**Observe proper electrostatic discharge procedures (ESD) when handling the drive and circuit boards.**

Failure to comply may result in ESD damage to the drive circuitry.

**A motor connected to a U1000 may operate at a higher temperature than a utility-fed motor and the operating speed range may reduce motor cooling capacity.**

Ensure that the motor is suitable for drive duty and/or the motor service factor is adequate to accommodate the additional heating with the intended operating conditions.

## 1.2 General Description

### ◆ U1000 Model Selection

Refer to [Table 1.1](#) for drive selection depending on Normal Duty (ND) or Heavy Duty (HD) rating.

**Note:** The models and capacities in shown here are based on standard settings and operation conditions. Higher carrier frequencies and higher ambient temperatures require derating.

**Table 1.1 U1000 Models**

Three-Phase 200 V Class			Three-Phase 400 V Class		
Drive Model	Heavy Duty Rating	Normal Duty Rating	Drive Model	Heavy Duty Rating	Normal Duty Rating
	Rated Output Current (A)	Rated Output Current (A)		Rated Output Current (A)	Rated Output Current (A)
2□0028	22	28	4□0011	9.6	11
2□0042	28	42	4□0014	11	14
2□0054	42	54	4□0021	14	21
2□0068	54	68	4□0027	21	27
2□0081	68	81	4□0034	27	34
2□0104	81	104	4□0040	34	40
2□0130	104	130	4□0052	40	52
2□0154	130	154	4□0065	52	65
2□0192	154	192	4□0077	65	77
2□0248	192	248	4□0096	77	96
–	–	–	4□0124	96	124
–	–	–	4□0156	124	156
–	–	–	4□0180	156	180
–	–	–	4□0216	180	216
–	–	–	4□0240	216	240
–	–	–	4□0302	240	302
–	–	–	4□0361	302	361
–	–	–	4□0414	361	414

Receiving

1

### ◆ Control Mode Selection

[Table 1.2](#) gives an overview of the U1000 control modes and their various features.

**Table 1.2 Control Modes and Features**

Motor Type	Induction Motors				Permanent Magnet Motors			Comments
Control Mode	V/f	V/f w/PG	OLV	CLV	OLV/PM	AOLV/PM	CLV/PM	–
Parameter Setting	A1-02 = 0	A1-02 = 1	A1-02 = 2	A1-02 = 3	A1-02 = 5	A1-02 = 6	A1-02 = 7	Default Setting is OLV control (A1-02 = 2)
Basic Description	V/f control	V/f control using motor speed feedback	Open Loop Vector control	Closed Loop Vector control	Open Loop Vector control for PM motors	Open Loop Vector control for IPM motors	Closed Loop Vector control for PM motors	–

## 1.2 General Description

Motor Type		Induction Motors				Permanent Magnet Motors			Comments
Control Mode		V/f	V/f w/PG	OLV	CLV	OLV/PM	AOLV/PM	CLV/PM	–
Type of Applications	Motor Type	IM	IM	IM	IM	PM	IPM	PM	–
	Multi Motor	YES	–	–	–	–	–	–	–
	Motor data unknown	YES	–	–	–	–	–	–	–
	High Speed Accuracy	–	YES	YES	YES	YES	YES	YES	–
	High Speed Response	–	–	YES	YES	–	YES	YES	–
	Zero Speed Control	–	–	–	YES	–	YES	YES	–
	Torque Control Operation	–	–	–	YES	–	–	YES	–
	Torque Limit Operation	–	–	YES	YES	–	–	YES	–
PG Option Card		–	PG-B3 or PG-X3	–	PG-B3 or PG-X3	–	–	PG-X3	–
Control Characteristics	Speed Control Range	1:40	1:40	1:200	1:1500	1:20	1:20 1:100	1:1500	May fluctuate with characteristics and motor temperature. May fluctuate with characteristics and motor temperature. Enabled for 1:100 when n8-57, High Frequency Injection, is set to 1 (Enabled).
	Speed Accuracy	±2 to 3%	±0.03%	±0.2%	±0.02%	±0.2%	±0.2%	±0.02%	Speed deviation when operating at constant speed may fluctuate with characteristics and motor temperature.
	Speed Response	3 Hz (approx.)	3 Hz (approx.)	10 Hz	50 Hz	10 Hz	10 Hz	50 Hz	Max. frequency of a speed reference signal that the drive can follow may fluctuate with characteristics and motor temperature.
	Starting Torque	150% at 3 Hz	150% at 3 Hz	200% at 0.3 Hz	200% at 0 r/min	100% at 5% speed	100% at 5% speed 200% at 0 r/min	200% at 0 r/min	Starting torque may fluctuate with characteristics and motor temperature. Performance may differ by capacity. 200% at 0 r/min enabled when n8-57, High Frequency Injection, is set to 1 (Enabled).

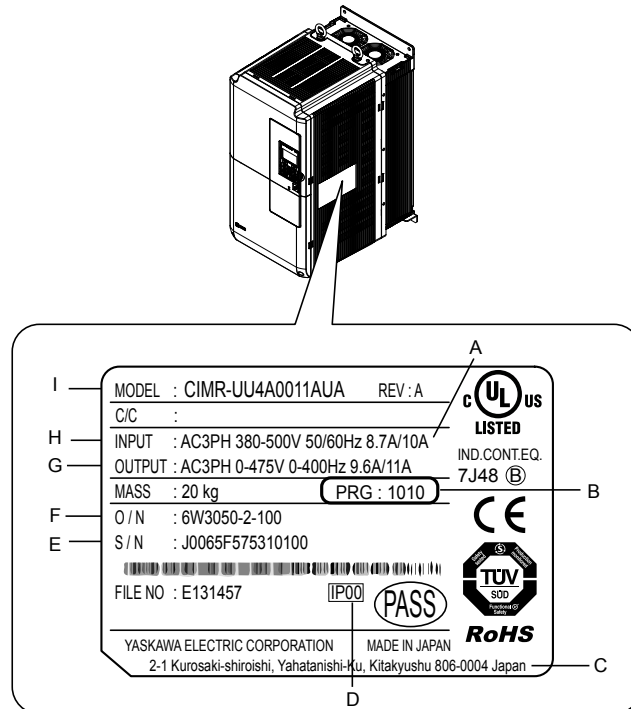
Motor Type		Induction Motors				Permanent Magnet Motors			Comments
Control Mode		V/f	V/f w/PG	OLV	CLV	OLV/PM	AOLV/PM	CLV/PM	-
Application-Specific	Auto-Tuning	<ul style="list-style-type: none"> <li>Stationary Auto-Tuning for Line-to-Line Resistance</li> </ul>				<ul style="list-style-type: none"> <li>PM Motor Parameter Settings</li> <li>PM Stationary Auto-Tuning</li> <li>PM Stationary Auto-Tuning for Stator Resistance</li> <li>PM Rotational Auto-Tuning</li> </ul>			Automatically adjusts parameter settings that concern electrical characteristics of the motor
		<ul style="list-style-type: none"> <li>Rotational Auto-Tuning for V/f Control</li> </ul>	<ul style="list-style-type: none"> <li>Stationary Auto-Tuning 2</li> <li>Stationary Auto-Tuning 3</li> <li>Rotational Auto-Tuning</li> </ul>		-	<ul style="list-style-type: none"> <li>High Frequency Injection Parameter Tuning</li> </ul>			
		-							
	Torque Limit	-	-	YES	YES	-	YES	YES	Sets the maximum torque for the motor to protect the load and connected machinery.
	Torque Control	-	-	-	YES	-	-	YES	Allows direct control of motor torque for tension control and other such applications.
Application-Specific	Droop Function	-	-	-	YES	-	-	YES	-
	Zero Servo Control	-	-	-	YES	-	-	YES	Locks the rotor position.
	Speed Search	YES	YES	YES	-	YES	YES	YES	Bi-directional speed detection of a coasting motor to restart it without stopping.
	Energy-Saving Control	YES	YES	YES	YES	-	YES (IPM motors only)	YES (IPM motors only)	Saves energy by always operating the motor at its maximum efficiency.
	Feed Forward Control	-	-	-	YES	-	-	YES	Improves speed accuracy when the load changes by compensating effects of the system inertia.
	Over-excitation Deceleration	YES	YES	YES	YES	-	-	-	Provides fast deceleration without using a braking resistor.
	Inertia Tuning, ASR Tuning	-	-	-	YES	-	-	YES	Provides automatic Speed Control and Feed Forward function tuning.
	Commercial Power Switching Selection	YES	-	-	-	-	-	-	When the output frequency matches the power supply frequency (60 Hz), the PWM switching operation stops and switches to operation with a direct commercial power supply connection.
	High Frequency Injection	-	-	-	-	-	YES (IPM motor)	-	Greatly increases the speed control range of an IPM motor.

### 1.3 Model Number and Nameplate Check

Please perform the following tasks after receiving the drive:

- Inspect the drive for damage.  
If the drive appears damaged upon receipt, contact the shipper immediately.
- Verify receipt of the correct model by checking the information on the nameplate.
- If you have received the wrong model or the drive does not function properly, contact your supplier.

#### ◆ Nameplate



**A** – Normal Duty amps / Heavy Duty  
amps  
**B** – Software version  
**C** – Address <1>  
**D** – Enclosure type  
**E** – Serial number

**F** – Lot number  
**G** – Output specifications  
**H** – Input specifications  
**I** – AC drive model  
Refer to [Figure 1.2](#) for details.

**Figure 1.1 Nameplate Information Example**

<1> The address of the head office of Yaskawa Electric Corporation (responsible for product liability) is shown on the nameplate.

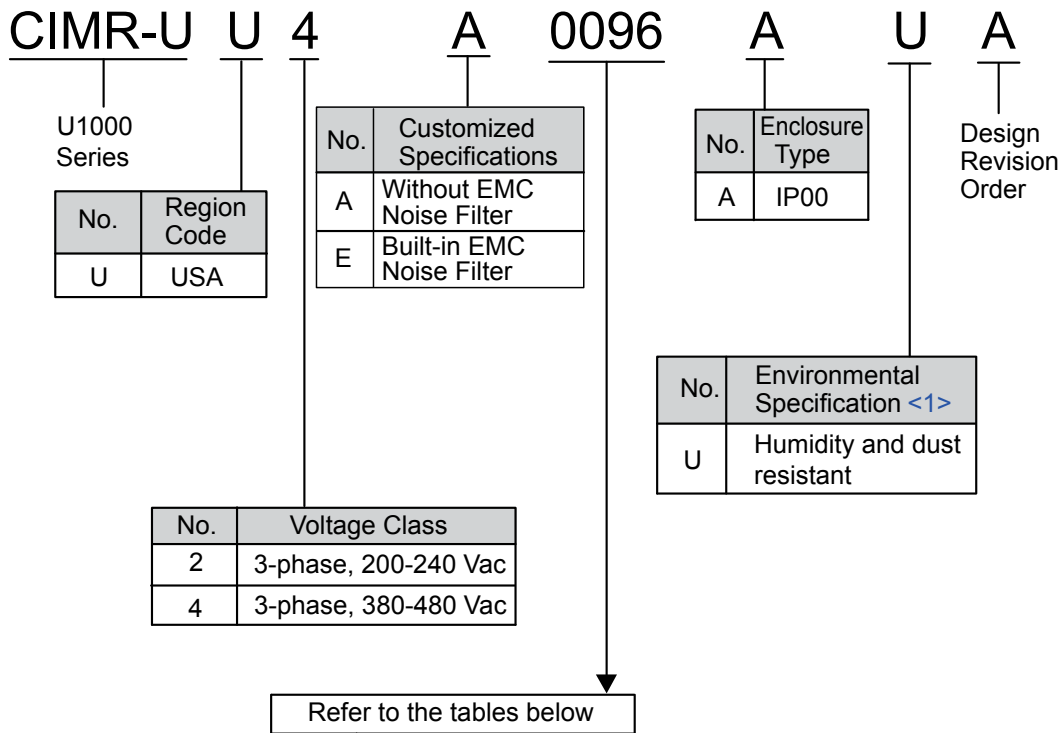


Figure 1.2 Drive Model Number Definition

<1> Drives with these specifications do not guarantee complete protection for the environmental conditions indicated.

■ Three-Phase 200 V Class

Table 1.3 Model Number and Specifications (200 V Class)

Normal Duty (ND) C6-01 = 1		
Drive Model	Reference Motor Capacity kW (HP)	Rated Output Current A
2□0028	7.5 (10)	28
2□0042	11 (15)	42
2□0054	15 (20)	54
2□0068	18.5 (25)	68
2□0081	22 (30)	81
2□0104	30 (40)	104
2□0130	37 (50)	130
2□0154	45 (60)	154
2□0192	55 (75)	192
2□0248	75 (100)	248

Heavy Duty (HD) C6-01 = 0		
Drive Model	Reference Motor Capacity kW (HP)	Rated Output Current A
2□0028	5.5 (7.5)	22
2□0042	7.5 (10)	28
2□0054	11 (15)	42
2□0068	15 (20)	54
2□0081	18.5 (25)	68
2□0104	22 (30)	81
2□0130	30 (40)	104
2□0154	37 (50)	130
2□0192	45 (60)	154
2□0248	55 (75)	192

### 1.3 Model Number and Nameplate Check

#### ■ Three-Phase 400 V Class

Table 1.4 Model Number and Specifications (400 V Class)

Normal Duty (ND) C6-01 = 1		
Drive Model	Reference Motor Capacity kW (HP)	Rated Output Current A
4□0011	5.5 (7.5)	11
4□0014	7.5 (10)	14
4□0021	11 (15)	21
4□0027	15 (20)	27
4□0034	18.5 (25)	34
4□0040	22 (30)	40
4□0052	30 (40)	52
4□0065	37 (50)	65
4□0077	45 (60)	77
4□0096	55 (75)	96
4□0124	75 (100)	124
4□0156	90 (125)	156
4□0180	110 (150)	180
4□0216	132 (175)	216
4□0240	150 (200)	240
4□0302	185 (250)	302
4□0361	220 (300)	361
4□0414	260 (350)	414

Heavy Duty (HD) C6-01 = 0		
Drive Model	Reference Motor Capacity kW (HP)	Rated Output Current A
4□0011	3.7 (5)	9.6
4□0014	5.5 (7.5)	11
4□0021	7.5 (10)	14
4□0027	11 (15)	21
4□0034	15 (20)	27
4□0040	18.5 (25)	34
4□0052	22 (30)	40
4□0065	30 (40)	52
4□0077	37 (50)	65
4□0096	45 (60)	77
4□0124	55 (75)	96
4□0156	75 (100)	124
4□0180	90 (125)	156
4□0216	110 (150)	180
4□0240	132 (175)	216
4□0302	150 (200)	240
4□0361	185 (250)	302
4□0414	220 (300)	361



## 1.4 Drive Models and Enclosure Types

Two types of enclosures are offered for U1000 drives:

- IP00/Open Type enclosure models are designed for installation in an enclosure panel that serves to protect personnel from injury caused by accidentally touching live parts.
- IP20/NEMA Type 1 enclosure models mount to an indoor wall or in an enclosure panel.

[Table 1.5](#) describes drive enclosures and models.

**Table 1.5 Drive Models and Enclosure Types**

Voltage Class	Enclosure Type	
	IP00/Open Type Enclosure Drive Model	IP20/NEMA Type 1 Enclosure <sup>&lt;1&gt;</sup> Drive Model
Three-Phase 200 V Class	2□0028A	2□0028F
	2□0042A	2□0042F
	2□0054A	2□0054F
	2□0068A	2□0068F
	2□0081A	2□0081F
	2□0104A	2□0104F
	2□0130A	2□0130F
	2□0154A	2□0154F
	2□0192A	2□0192F
2□0248A	2□0248F	
Three-Phase 400 V Class	4□0011A	4□0011F
	4□0014A	4□0014F
	4□0021A	4□0021F
	4□0027A	4□0027F
	4□0034A	4□0034F
	4□0040A	4□0040F
	4□0052A	4□0052F
	4□0065A	4□0065F
	4□0077A	4□0077F
	4□0096A	4□0096F
	4□0124A	4□0124F
	4□0156A	4□0156F
	4□0180A	4□0180F
	4□0216A	4□0216F
	4□0240A	4□0240F
4□0302A	4□0302F	
4□0361A	4□0361F	
4□0414A	4□0414F	

<1> Remove the top protective cover when installing an IP20/NEMA Type 1 enclosure drive in a cabinet.

Removing the top protective cover from a IP20/NEMA Type 1 enclosure drive voids NEMA Type 1 protection while retaining IP20 conformity. Attaching a top protective cover and bottom cover to an IP00/Open Type enclosure drive will convert the drive to an IP20/NEMA Type 1 enclosure drive.

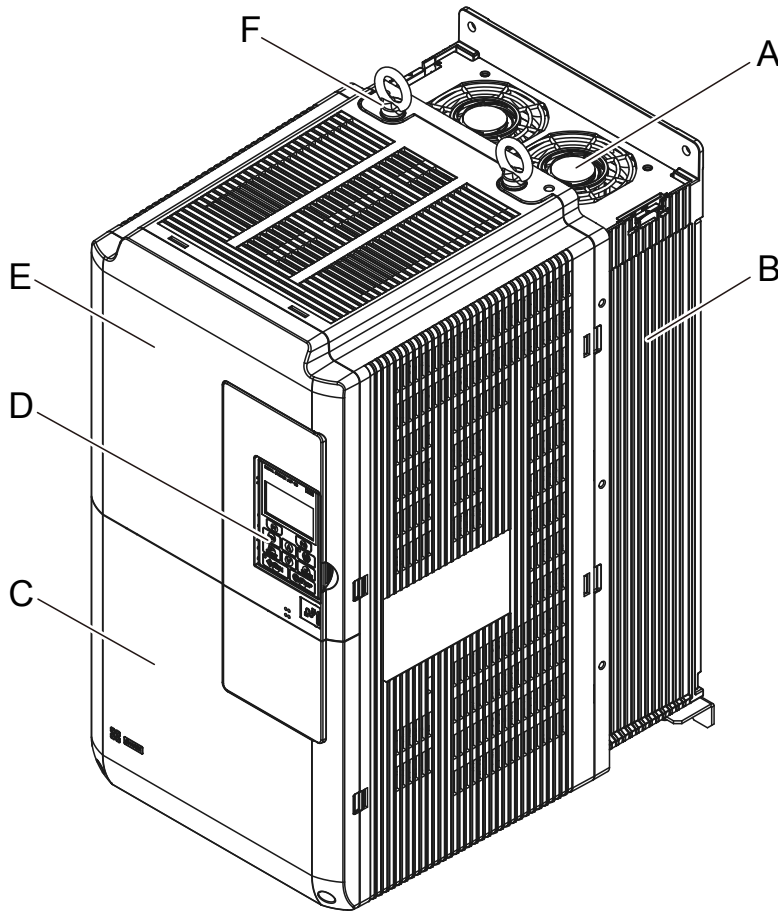
# 1.5 Component Names

This section gives an overview of the drive components described in this manual.

- Note:**
1. Refer to *Using the Digital Operator on page 109* for a description of the operator keypad.
  2. The drive may have no cooling fans or up to two cooling fans depending on the model.

### ◆ IP00/Open Type Enclosure

- Three-Phase AC 200 V Class Models 2□0028A to 2□0081A
- Three-Phase AC 400 V Class Models 4□0011A to 4□0077A

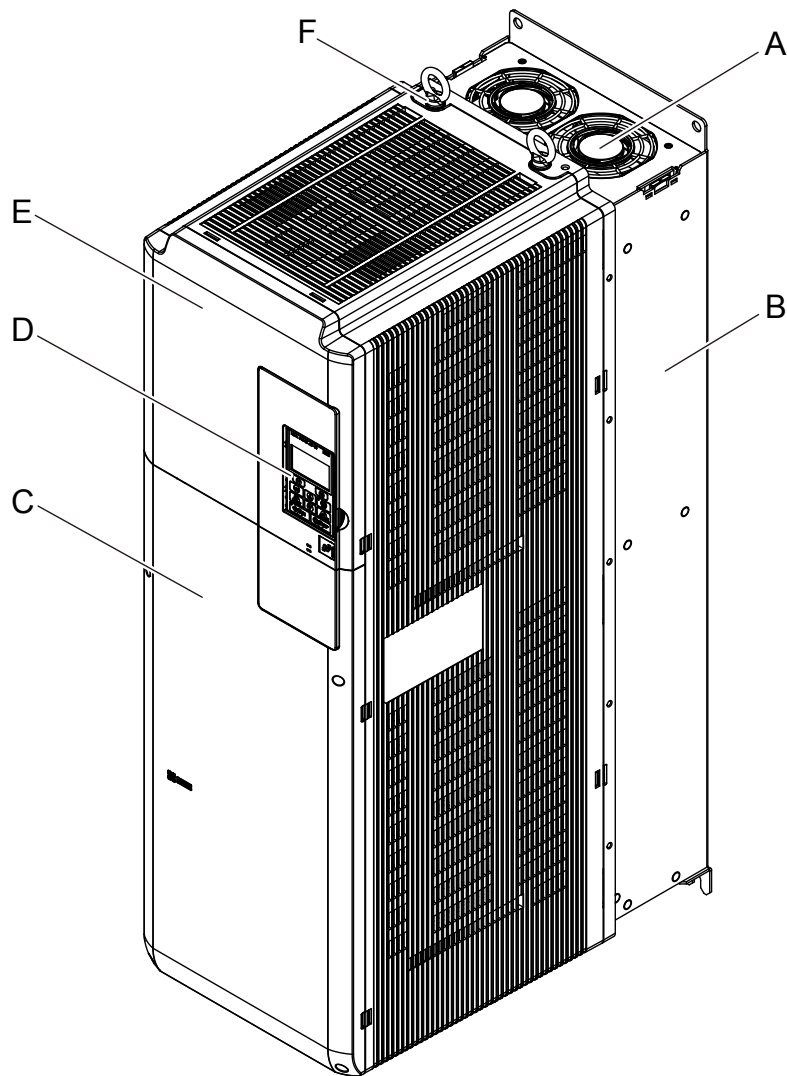


A – Cooling fan  
B – Heatsink  
C – Terminal cover

D – Digital operator  
E – Front cover  
F – Eye bolt

Figure 1.3 IP00/Open Type Components (Model 2□0028A)

- Three-Phase AC 200 V Class Models 2□0104A to 2□0130A
- Three-Phase AC 400 V Class Models 4□0096A to 4□0124A



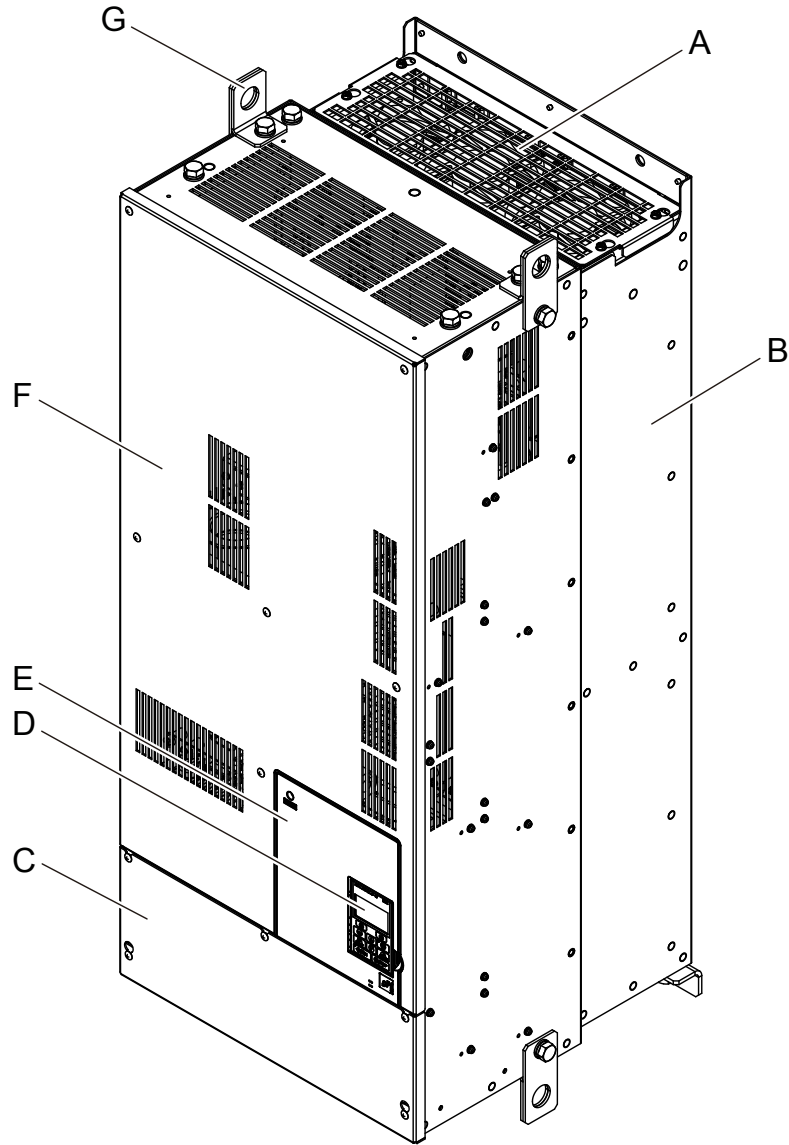
A – Cooling fan  
 B – Heatsink  
 C – Terminal cover

D – Digital operator  
 E – Front cover  
 F – Eye bolt

Figure 1.4 IP00/Open Type Components (Model 2□0104A)

## 1.5 Component Names

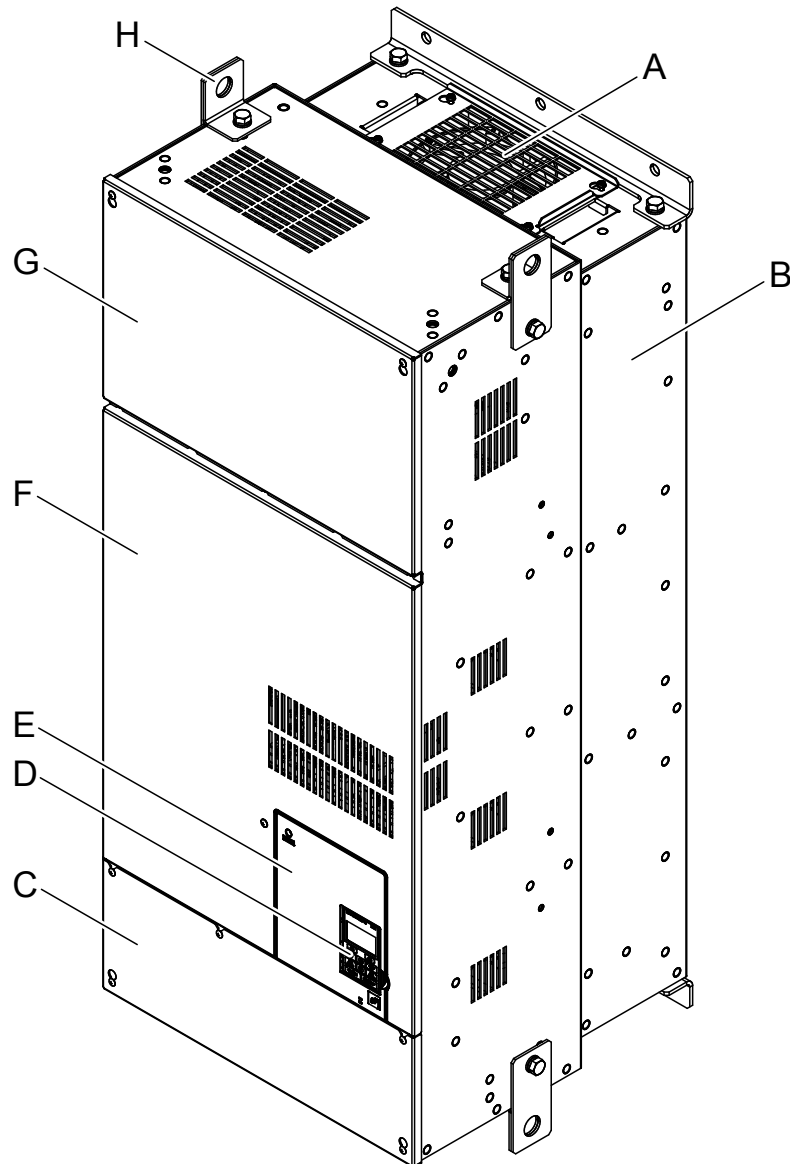
- Three-Phase AC 200 V Class Models 2□0154A and 2□0192A
- Three-Phase AC 400 V Class Models 4□0156A and 4□0180A



- |                      |                     |
|----------------------|---------------------|
| A – Cooling fan      | E – Front cover     |
| B – Heatsink         | F – Drive cover     |
| C – Terminal cover   | G – Hanging bracket |
| D – Digital operator |                     |

Figure 1.5 IP00/Open Type Components (Model 2□0154A)

■ Three-Phase AC 200 V Class Models 2□0248A  
 Three-Phase AC 400 V Class Models 4□0216A to 4□0414A



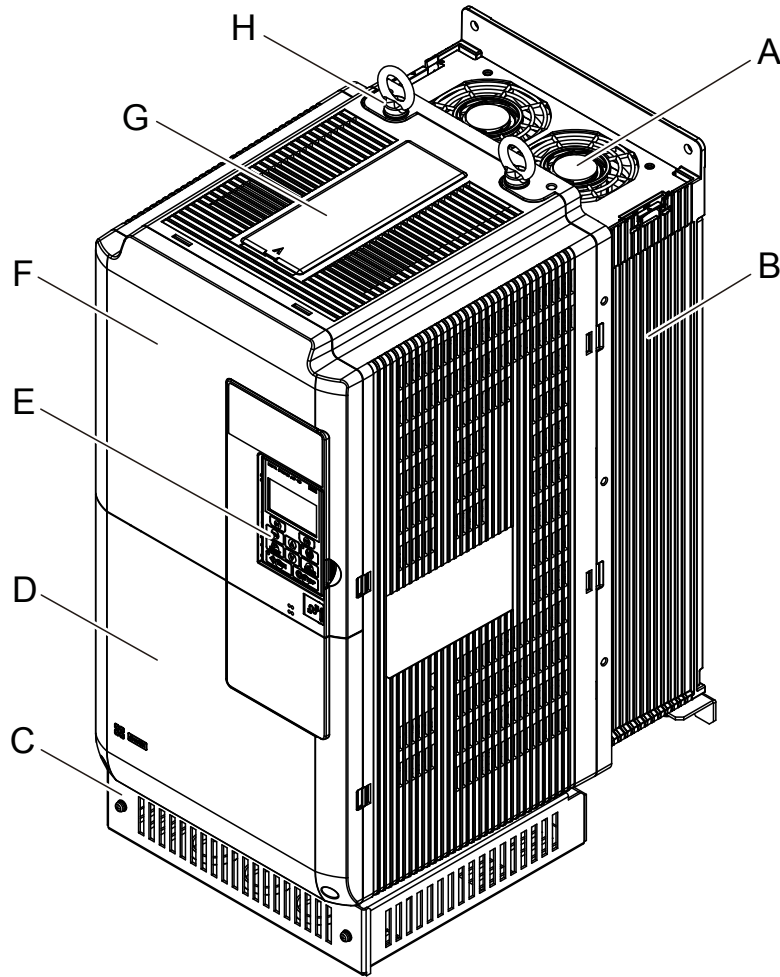
A – Cooling fan  
 B – Heatsink  
 C – Terminal cover  
 D – Digital operator

E – Front cover  
 F – Drive cover 1  
 G – Drive cover 2  
 H – Hanging bracket

Figure 1.6 IP00/Open Type Components (Model 2□0248A)

### ◆ IP20/NEMA Type 1 Enclosure

- Three-Phase AC 200 V Class Models 2□0028F to 2□0081F
- Three-Phase AC 400 V Class Models 4□0011F to 4□0077F

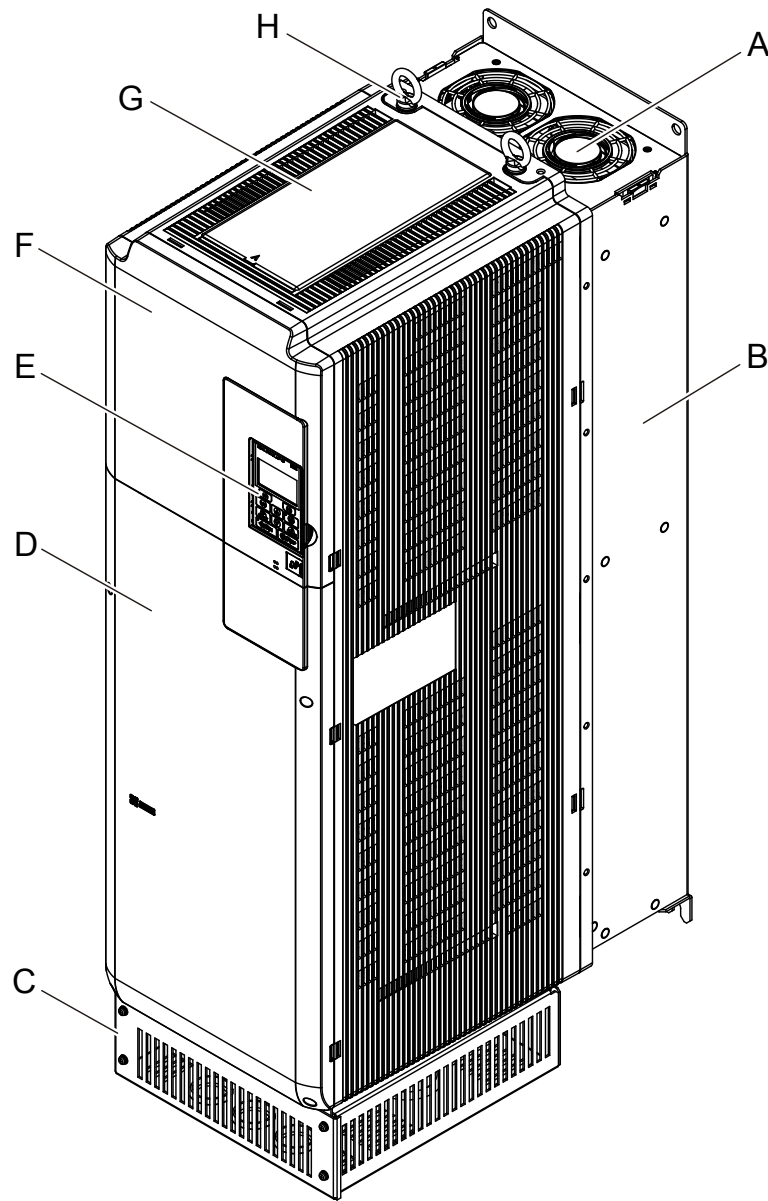


A – Cooling fan  
B – Heatsink  
C – Bottom cover  
D – Terminal cover

E – Digital operator  
F – Front cover  
G – Top protective cover  
H – Eye bolt

Figure 1.7 IP20/NEMA Type 1 Components (Model 2□0028F)

- Three-Phase AC 200 V Class Models 2□0104F and 2□0130F
- Three-Phase AC 400 V Class Models 4□0096F and 4□0124F

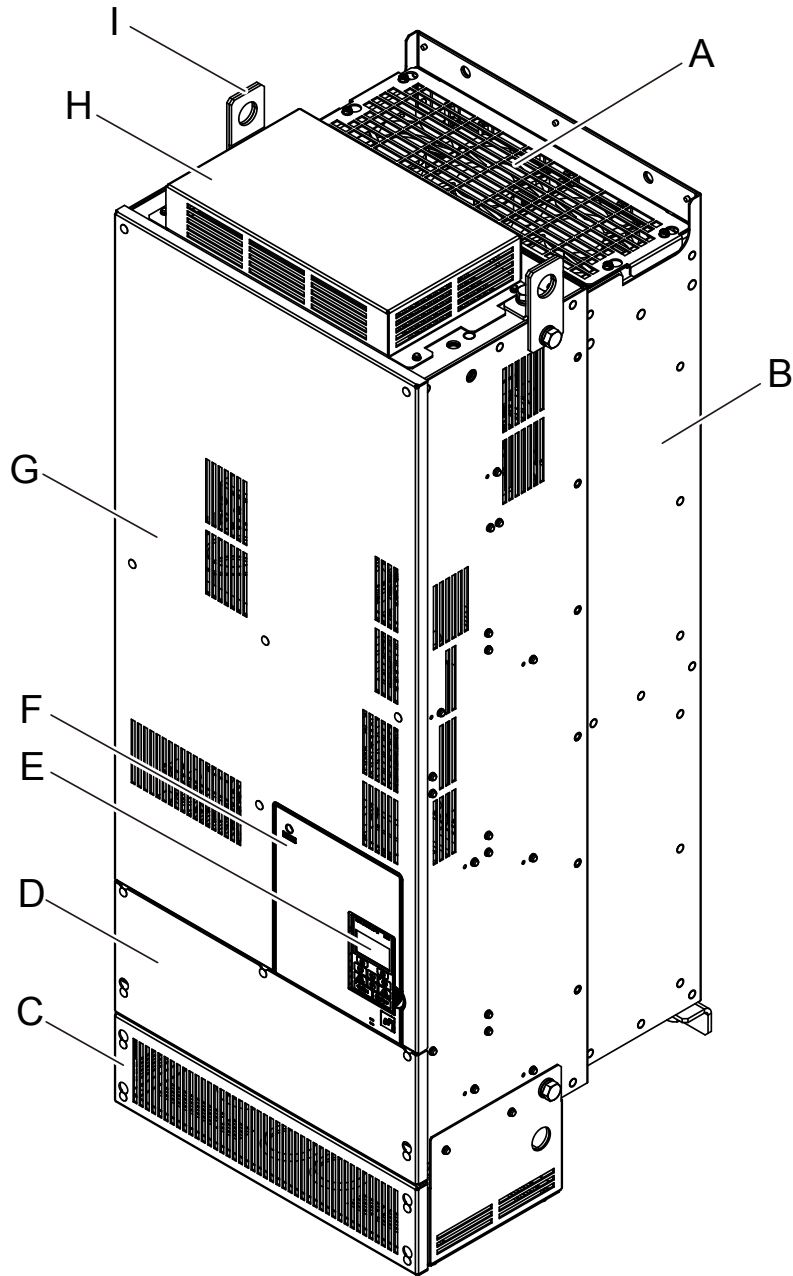


- |                    |                          |
|--------------------|--------------------------|
| A – Cooling fan    | E – Digital operator     |
| B – Heatsink       | F – Front cover          |
| C – Bottom cover   | G – Top protective cover |
| D – Terminal cover | H – Eye bolt             |

Figure 1.8 IP20/NEMA Type 1 Components (Model 2□0104F)

## 1.5 Component Names

- Three-Phase AC 200 V Class Models 2□0154F and 2□0192F
- Three-Phase AC 400 V Class Models 4□0156F and 4□0180F

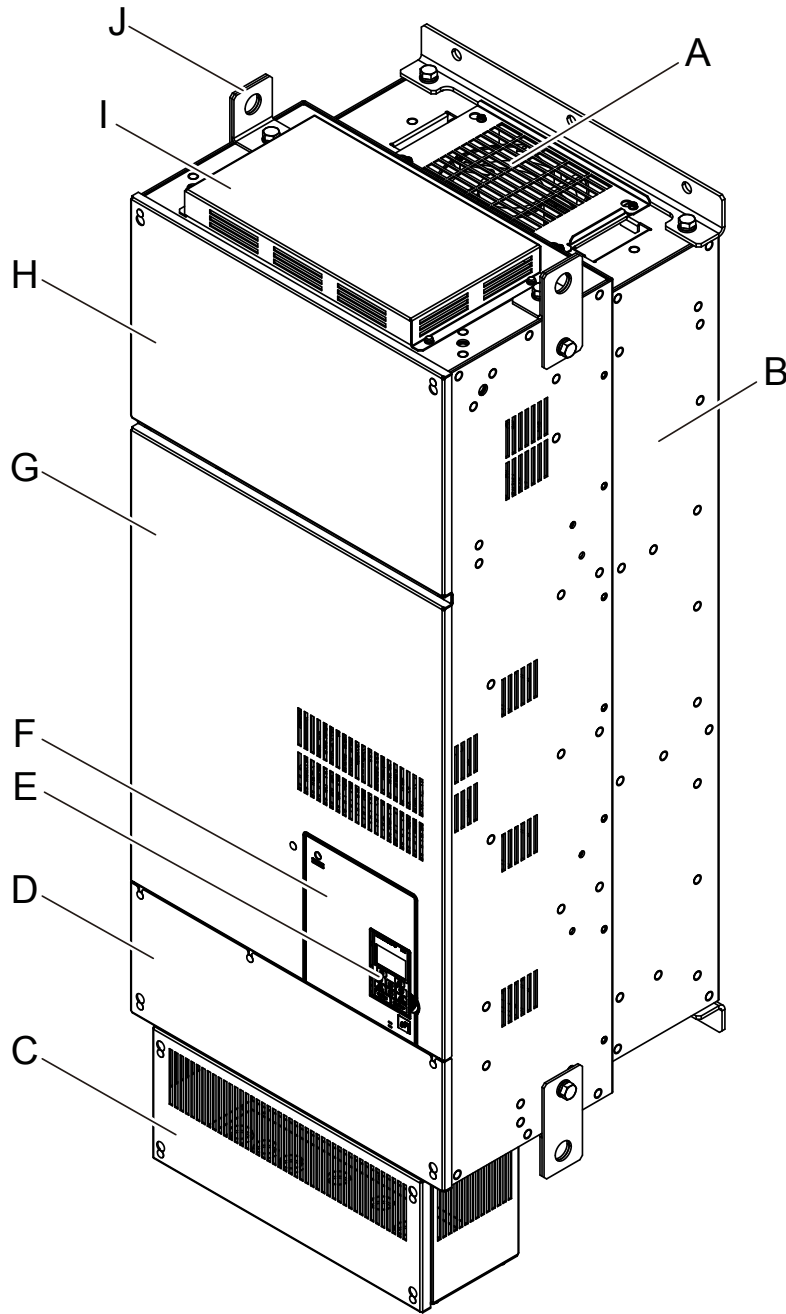


- |                      |                          |
|----------------------|--------------------------|
| A – Cooling fan      | F – Front cover          |
| B – Heatsink         | G – Drive cover          |
| C – Bottom cover     | H – Top protective cover |
| D – Terminal cover   | I – Hanging bracket      |
| E – Digital operator |                          |

Figure 1.9 IP20/NEMA Type 1 Components (Model 2□0154F)



■ Three-Phase AC 200 V Class Model 2□0248F  
 Three-Phase AC 400 V Class Models 4□0216F to 4□0414F

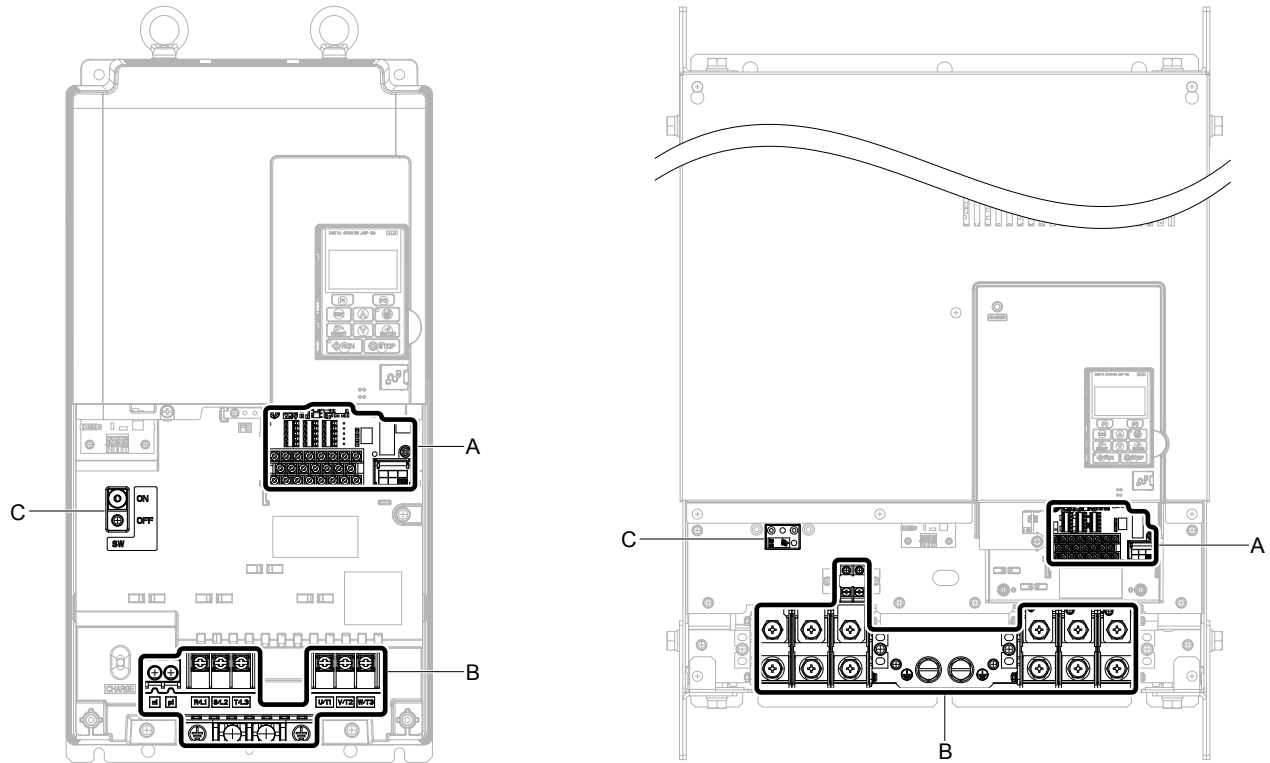


A – Cooling fan  
 B – Heatsink  
 C – Bottom cover  
 D – Terminal cover  
 E – Digital operator

F – Front cover  
 G – Drive cover 1  
 H – Drive cover 2  
 I – Top protective cover  
 J – Hanging bracket

Figure 1.10 IP20/NEMA Type 1 Components (Model 2□0248F)

### ◆ Front Views



**A** – Terminal board (*Refer to Control Circuit Wiring on page 88*)

**B** – Main circuit terminal (*Refer to Wiring the Main Circuit Terminal on page 86*)

**C** – EMC filter switch (Models UU□□□□□□ and UU□W□□□□□)

Figure 1.11 Front Views of Drives

## Mechanical Installation

---

This chapter explains how to properly mount and install the drive.

<b>2.1</b>	<b>SECTION SAFETY.....</b>	<b>48</b>
<b>2.2</b>	<b>MECHANICAL INSTALLATION.....</b>	<b>50</b>

## 2.1 Section Safety

### WARNING

#### Fire Hazard

**Provide sufficient cooling when installing the drive inside an enclosed panel or cabinet.**

Failure to comply could result in overheating and fire.

When multiple drives are placed inside the same enclosure panel, install proper cooling to ensure air entering the enclosure does not exceed 40 °C.

#### Crush Hazard

**Use a dedicated lifter when transporting the drive by a lifter.**

Failure to comply may result in serious injury or death from falling equipment.

**Only use vertical suspension to temporarily lift the drive during installation to an enclosure panel. Do not use vertical suspension to transport the drive.**

Failure to comply may result in serious injury or death from falling equipment.

**Use screws to securely affix the drive front cover, terminal blocks, and other drive components prior to vertical suspension.**

Failure to comply may result in serious injury or death from falling equipment.

**Do not subject the drive to vibration or impact greater than 1.96 m/s<sup>2</sup> (0.2 G) while it is suspended by the cables.**

Failure to comply may result in serious injury or death from falling equipment.

**Do not attempt to flip the drive over or leave the drive unattended while it is suspended by the wires.**

Failure to comply may result in serious injury or death from falling equipment.

### CAUTION

#### Crush Hazard

**Do not carry the drive by the front cover or the terminal cover.**

Failure to comply may result in minor or moderate injury from the main body of the drive falling.

### NOTICE

#### Equipment Hazard

**Prevent foreign matter such as metal shavings or wire clippings from falling into the drive during drive installation and project construction.**

Failure to comply could result in damage to the drive. Place a temporary cover over the top during installation. Be sure to remove the temporary cover before start-up, as the cover will reduce ventilation and cause the unit to overheat.

**Observe proper electrostatic discharge (ESD) procedures when handling the drive.**

Failure to comply could result in ESD damage to the drive circuitry.

**Operating the motor in the low-speed range diminishes the cooling effects, increases motor temperature, and may lead to motor damage by overheating.**

Reduce the motor torque in the low-speed range whenever using a standard blower cooled motor. If 100% torque is required continuously at low speed, consider using a special drive or vector-control motor. Select a motor that is compatible with the required load torque and operating speed range.

**The speed range for continuous operation differs according to the lubrication method and motor manufacturer.**

If the motor is to be operated at a speed higher than the rated speed, consult with the manufacturer.

Continuously operating an oil-lubricated motor in the low-speed range may result in burning.

**NOTICE**

**When the input voltage is 440 V or higher or the wiring distance is greater than 100 meters, pay special attention to the motor insulation voltage or use a drive-rated motor with reinforced insulation.**

Failure to comply could lead to motor winding failure.

**Motor vibration may increase when operating a machine in variable-speed mode, if that machine previously operated at a constant speed.**

Install vibration-proof rubber on the motor base or use the frequency jump function to skip a frequency resonating the machine.

**The motor may require more acceleration torque with drive operation than with a commercial power supply.**

Set a proper V/f pattern by checking the load torque characteristics of the machine to be used with the motor.

**The rated input current of submersible motors is higher than the rated input current of standard motors.**

Select an appropriate drive according to its rated output current. When the distance between the motor and drive is long, use a cable thick enough to connect the motor to the drive to prevent motor torque reduction.

**The current rating differs for a motor with variable pole pitches differs from a standard motor.**

Check the maximum current of the motor before selecting the drive capacity. Only switch motor poles when the motor is stopped. Switching between motor during run will trigger overcurrent protection circuitry or result in overvoltage from regeneration, and the motor will simply coast to stop.

**When using an explosion-proof motor, it must be subject to an explosion-proof test in conjunction with the drive.**

This is also applicable when an existing explosion-proof motor is to be operated with the drive. Since the drive itself is not explosion-proof, always install it in a safe place.

**Never lift the drive up while the cover is removed.**

This can damage the terminal board and other components.

## 2.2 Mechanical Installation

This section outlines specifications, procedures, and the environment for proper mechanical installation of the drive.

### ◆ Installation Environment

Install the drive in an environment matching the specifications in [Table 2.1](#) to help prolong the optimum performance life of the drive.

**Table 2.1 Installation Environment**

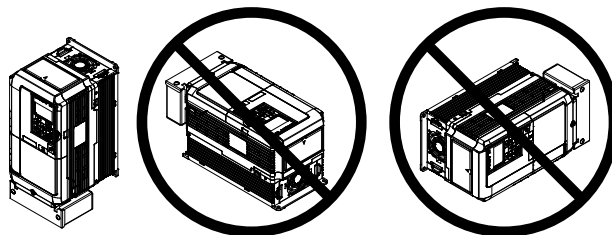
Environment	Conditions
Installation Area	Indoors
Ambient Temperature	IP00/Open Type enclosure: -10 °C to +50 °C (14 °F to 122 °F) IP20/NEMA Type 1 enclosure: -10 °C to +40 °C (14 °F to 104 °F) Drive reliability improves in environments without wide temperature fluctuations. When using the drive in an enclosure panel, install a cooling fan or air conditioner in the area to ensure that the air temperature inside the enclosure does not exceed the specified levels. Do not allow ice to develop on the drive.
Humidity	95% RH or less and free of condensation
Storage Temperature	-20 °C to +60 °C (-4 °F to +104 °F)
Surrounding Area	Install the drive in an area free from: <ul style="list-style-type: none"> <li>• oil mist and dust</li> <li>• metal shavings, oil, water, or other foreign materials</li> <li>• radioactive materials</li> <li>• combustible materials (e.g., wood)</li> <li>• harmful gases and liquids</li> <li>• excessive vibration</li> <li>• chlorides</li> <li>• direct sunlight.</li> </ul>
Altitude	1000 m (3281 ft.) or lower, up to 3000 m (9843 ft.) with derating. <a href="#">Refer to Drive Watt Loss Data on page 437</a> for details.
Vibration	10 to 20 Hz at 9.8 m/s <sup>2</sup> (32.15 ft/s <sup>2</sup> ) 20 to 55 Hz at 5.9 m/s <sup>2</sup> (19.36 ft/s <sup>2</sup> ) (Models 2□0028 to 2□0081 and 4□0011 to 4□0077) 2.0 m/s <sup>2</sup> (6.56 ft/s <sup>2</sup> ) (Models 2□0104 to 2□0248 and 4□0096 to 4□0414)
Orientation	Install the drive vertically to maintain maximum cooling effects.

**NOTICE:** Avoid placing drive peripheral devices, transformers, or other electronics near the drive as the noise created can lead to erroneous operation. If such devices must be used in close proximity to the drive, take proper steps to shield the drive from noise.

**NOTICE:** Prevent foreign matter such as metal shavings and wire clippings from falling into the drive during installation. Failure to comply could result in damage to the drive. Place a temporary cover over the top of the drive during installation. Remove the temporary cover before drive start-up, as the cover will reduce ventilation and cause the drive to overheat.

### ◆ Installation Orientation and Spacing

**NOTICE:** Install the drive upright as illustrated in [Figure 2.1](#). Failure to comply may damage the drive due to improper cooling.



**Figure 2.1 Correct Installation Orientation**

**NOTICE:** Install the drive upright as specified in the manual. Failure to comply may damage the drive due to improper cooling.

## Single Drive Installation

Figure 2.2 shows the installation distance required to maintain sufficient space for airflow and wiring.

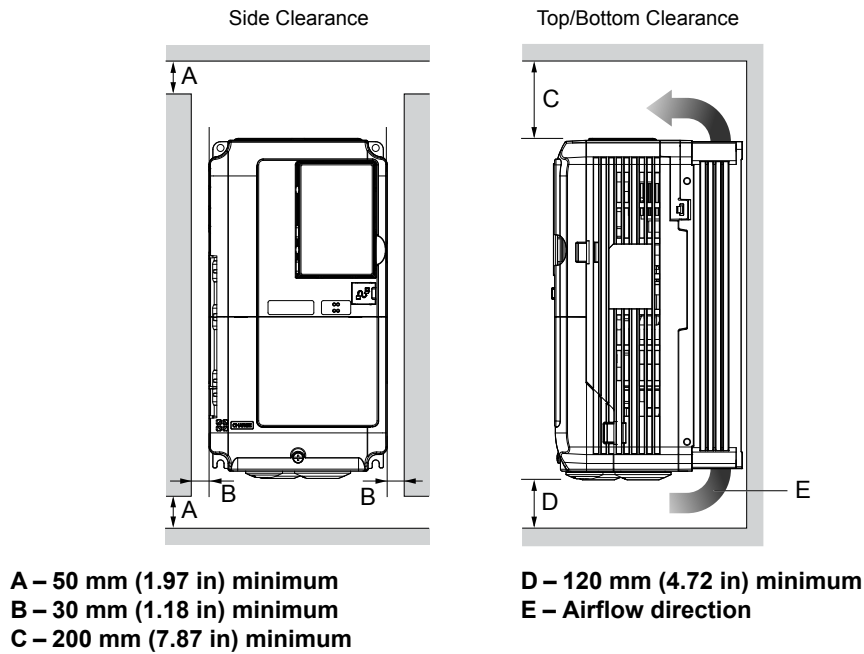


Figure 2.2 Correct Installation Spacing

**Note:** IP20/NEMA Type 1 enclosure and IP00/Open Type enclosure models require the same amount of space above and below the drive for installation.

## Instructions on Installation Using the Eye Bolts and Hanging Brackets

Eye bolts and hanging brackets are used to install the drive or to temporarily lift the drive during drive replacement. Using the eye bolts and hanging brackets, the drive can be installed in an enclosure panel or on a wall. Do not leave the drive suspended by the wires in a horizontal or vertical position for long periods of time. Do not transport the drive over long distances. Read the following precautions and instructions before installing the drive.

**WARNING! Crush Hazard.** Observe the following instructions and precautions. Failure to comply could result in serious injury or death from falling equipment.

Only use vertical suspension to temporarily lift the drive during installation to an enclosure panel. Do not use vertical suspension to transport the drive.

Confirm that the spring washer is completely closed prior to lifting to prevent damage to the drive.

Use screws to securely affix the drive front cover, terminal blocks, and other drive components prior to vertical suspension.

Do not subject the drive to vibration or impact greater than 1.96 m/s<sup>2</sup> (0.2 G) while it is suspended by the wires.

Do not leave the drive unattended while it is suspended by the wires.

Do not attempt to flip the drive over while it is suspended by the wires.

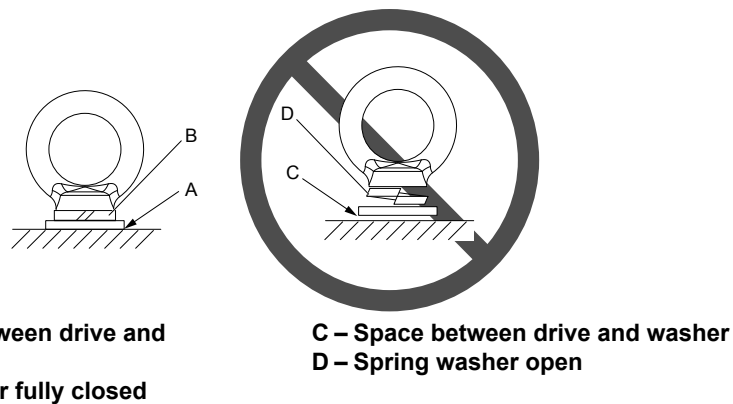


Figure 2.3 Spring Washer

## 2.2 Mechanical Installation

### ■ Horizontal Suspension of Drive Models 2□0154 to 2□0248 and 4□0156 to 4□0414

To make a wire hanger or frame for use when lifting the drive with a crane, lay the drive in a horizontal position and pass a wire through the hanging brackets.

**NOTICE:** Use the hanging brackets on the top and hanging holes of the bottom cover when lifting models 2□0154F, 2□0192F, 4□0156F, and 4□0180F.

2□0154A, 2□0192A, 2□0248,

2□0154F, 2□0192F, 4□0156F, and 4□0180F

4□0156A, 4□0180A, and 4□0216 to 4□0414

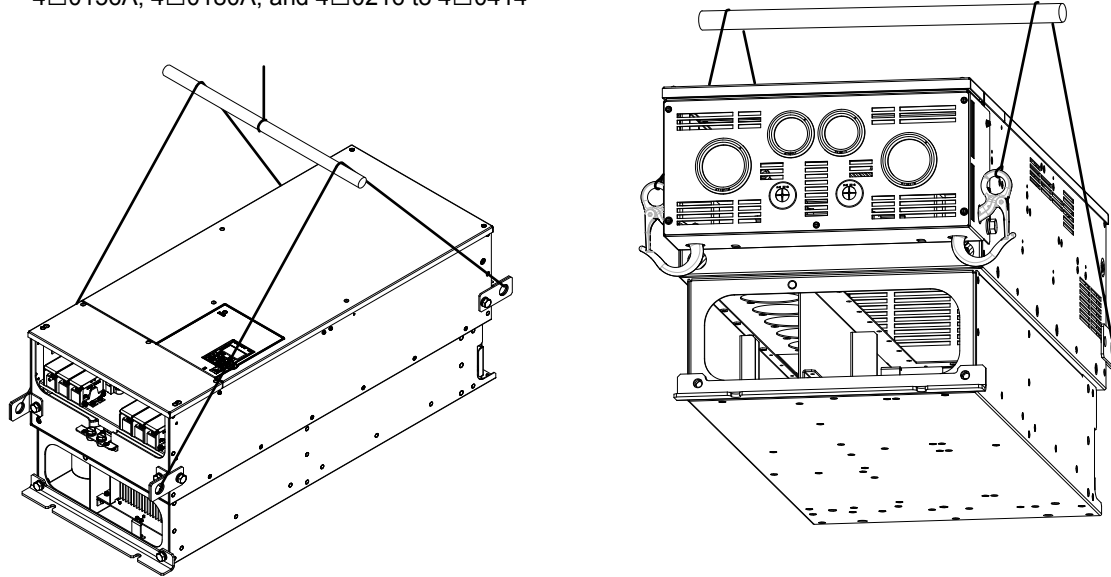


Figure 2.4 Horizontal Suspension (Models 2□0154 to 2□0248 and 4□0156 to 4□0414)

### ■ Vertical Suspension of the Drive

Follow the procedure described below when suspending the drive with eye bolts or hanging brackets.

*Models 2□0028 to 2□0130 and 4□0011 to 4□0124*

**WARNING! Crush Hazard.** Use an adequate length of wire to ensure a 50° or wider suspension angle as illustrated in [Figure 2.5](#). The maximum allowable load of the eye bolts cannot be guaranteed when the drive is suspended with the wires at angles less than 50°. Failure to comply may result in serious injury or death from falling equipment.

1. Pass wire through the holes of the two eye bolts.

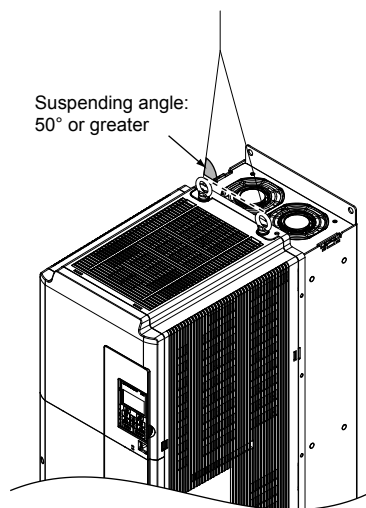


Figure 2.5 Drive Suspension Using Wires and Eye Bolts  
(Models 2□0028 to 2□0130 and 4□0011 to 4□0124)

2. Gradually take up the slack in the wires and hoist the drive after the wires are stretched tight.



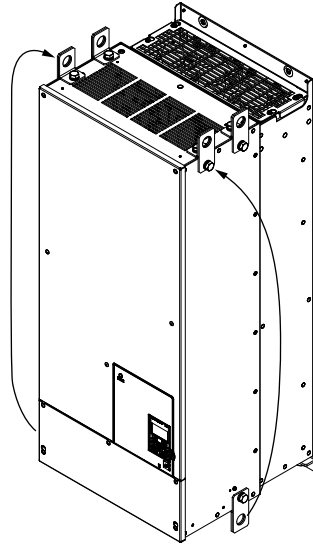
3. Lower the drive when ready to install in the enclosure panel. Stop lowering the drive when it is near the floor, then slowly begin lowering the drive again until the drive is placed correctly.

**Models 2□0154 to 2□0248 and 4□0156 to 4□0414**

**WARNING! Crush Hazard.** Use an adequate length of wire to ensure a 50° or wider suspension angle as illustrated in [Figure 2.6](#). The maximum allowable load of the eye bolts cannot be guaranteed when the drive is suspended with the wires at angles less than 50°. Failure to comply may result in serious injury or death from falling equipment.

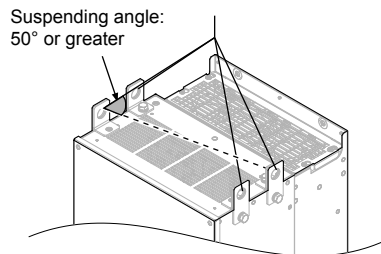
1. Remove the two hanging brackets from the drive lower side panels and bolt them on the top panel.

- Note:**
1. Tighten the hanging brackets with the specified tightening torque: M10: 18 to 23 N·m (159 to 204 in-lb), M12: 32 to 40 N·m (283 to 354 in-lb).
  2. Four hanging brackets are attached to the top of NEMA Type 1 drives 2□0154F, 2□0192F, 4□0156F, and 4□0180F.



**Figure 2.6 Location of Hanging Brackets (Models 2□0154 to 2□0248 and 4□0156 to 4□0414)**

2. Pass wire through the holes of all four hanging brackets.



**Figure 2.7 Drive Suspension Using Wires and Hanging Brackets (Models 2□0154 to 2□0248 and 4□0156 to 4□0414)**

3. Gradually take up the slack in the wires and hoist the drive after the wires are stretched tight.
4. Lower the drive when ready to install in the enclosure panel. Stop lowering the drive when it is near the floor, then slowly begin lowering the drive again until the drive is placed correctly.

## ◆ Digital Operator Remote Usage

### ■ Remote Operation

The digital operator mounted on the drive can be removed and connected to the drive using an extension cable up to 3 m long to facilitate operation when the drive is installed in a location where it can not be easily accessed.

The digital operator can also be permanently mounted remote locations such as panel doors using an extension cable and an installation support set (depending on the installation type).

**Note:** Refer to [Drive Options and Peripheral Devices on page 412](#) for information on extension cables and installation support sets.

## 2.2 Mechanical Installation

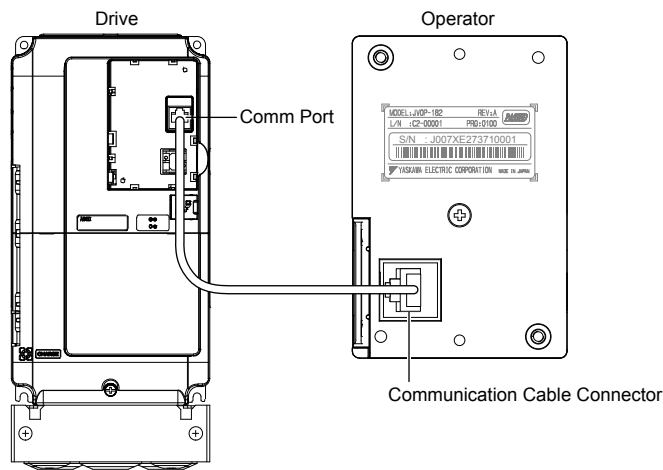


Figure 2.8 Communication Cable Connection

### ■ Digital Operator Remote Installation

#### Digital Operator Dimensions

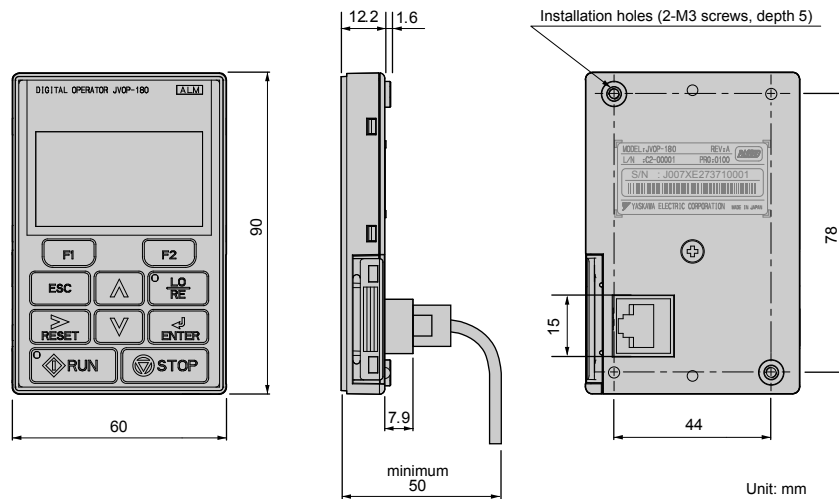


Figure 2.9 Digital Operator Dimensions

#### Installation Types and Required Materials

The digital operator mounts to an enclosure two different ways:

- **External/face-mount** installs the operator outside the enclosure panel
- **Internal/flush-mount** installs the operator inside the enclosure panel

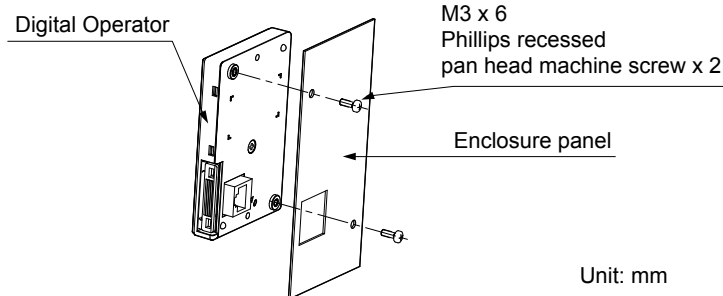
Table 2.2 Digital Operator Installation Methods and Required Tools

Installation Method	Description	Installation Support Sets	Model	Required Tools
External/ Face-Mount	Simplified installation with the digital operator is mounted on the outside of the panel with two screws.	—	—	Phillips screwdriver (#1)
Internal/ Flush-Mount	Encloses the digital operator in the panel. The front of the digital operator is flush with the outside of the panel.	Installation Support Set A (for mounting with screws through holes in the panel)	EZZ020642A	Phillips screwdriver (#1, #2)
		Installation Support Set B (for use with threaded studs that are fixed to the panel)	EZZ020642B	Phillips screwdriver (#1) Wrench (7 mm)

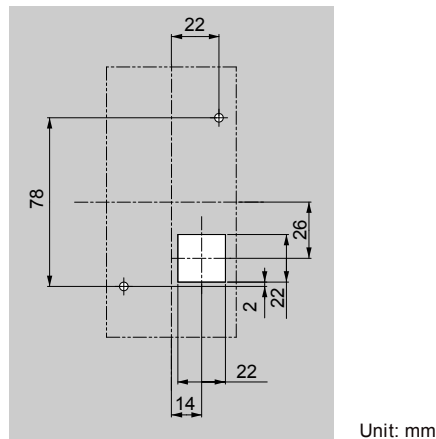
**NOTICE:** Prevent foreign matter such as metal shavings or wire clippings from falling into the drive during installation and project construction. Failure to comply could result in damage to the drive. Place a temporary cover over the top of the drive during installation. Remove the temporary cover before drive start-up, as the cover will reduce ventilation and cause the drive to overheat.

**External/Face-Mount**

1. Cut an opening in the enclosure panel for the digital operator as shown in [Figure 2.11](#).
2. Position the digital operator so the display faces outwards, and mount it to the enclosure panel as shown in [Figure 2.10](#).



**Figure 2.10 External/Face-Mount Installation**



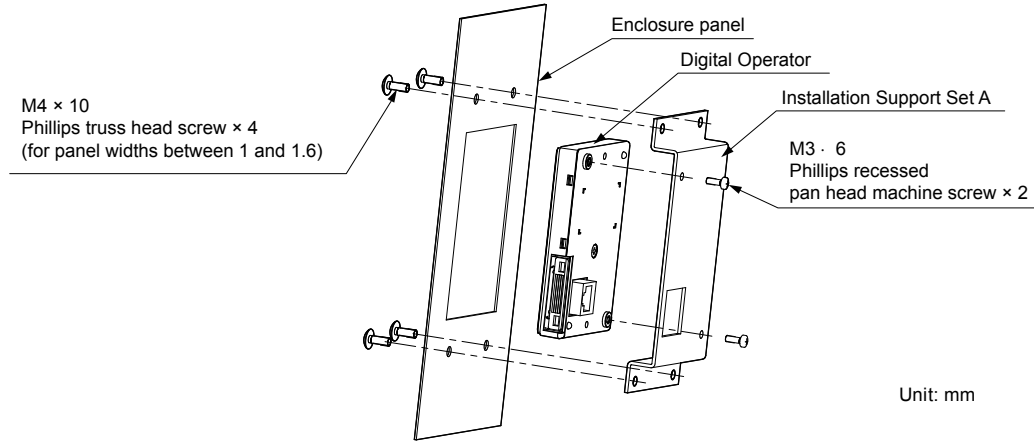
**Figure 2.11 Panel Cut-Out Dimensions (External/Face-Mount Installation)**

## 2.2 Mechanical Installation

### Internal/Flush-Mount

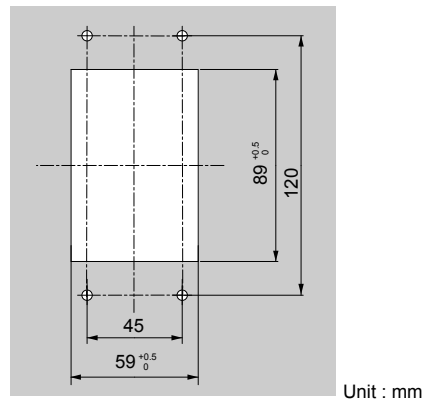
An internal flush-mount requires an installation support set that must be purchased separately. Contact a Yaskawa representative to order an installation support set and mounting hardware. **Figure 2.12** illustrates how to attach the Installation Support Set A.

1. Cut an opening in the enclosure panel for the digital operator as shown in **Figure 2.13**.
2. Mount the digital operator to the installation support.
3. Mount the installation support set and digital operator to the enclosure panel.



**Figure 2.12 Internal/Flush Mount Installation**

**Note:** Use a gasket between the enclosure panel and the digital operator in environments with a significant amount of dust or other airborne debris.



**Figure 2.13 Panel Cut-Out Dimensions (Internal/Flush-Mount Installation)**

## ◆ Exterior and Mounting Dimensions

Table 2.3 Drive Models and Types

Protective Design	Drive Model		Page
	Three-Phase 200 V Class	Three-Phase 400 V Class	
IP00 Enclosure	2□0028A 2□0042A 2□0054A 2□0068A 2□0081A 2□0104A 2□0130A 2□0154A 2□0192A 2□0248A	4□0011A 4□0014A 4□0021A 4□0027A 4□0034A 4□0040A 4□0052A 4□0065A 4□0077A 4□0096A 4□0124A 4□0156A 4□0180A 4□0216A 4□0240A 4□0302A 4□0361A 4□0414A	58
IP20/NEMA Type 1 Enclosure	2□0028F 2□0042F 2□0054F 2□0068F 2□0081F 2□0104F 2□0130F 2□0154F 2□0192F 2□0248F	4□0011F 4□0014F 4□0021F 4□0027F 4□0034F 4□0040F 4□0052F 4□0065F 4□0077F 4□0096F 4□0124F 4□0156F 4□0180F 4□0216F 4□0240F 4□0302F 4□0361F 4□0414F	60

## 2.2 Mechanical Installation

### ■ IP00 Enclosure Drives

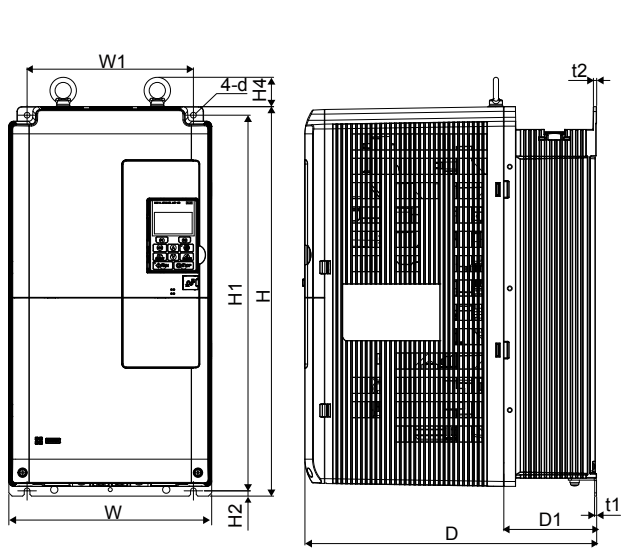


Figure 1

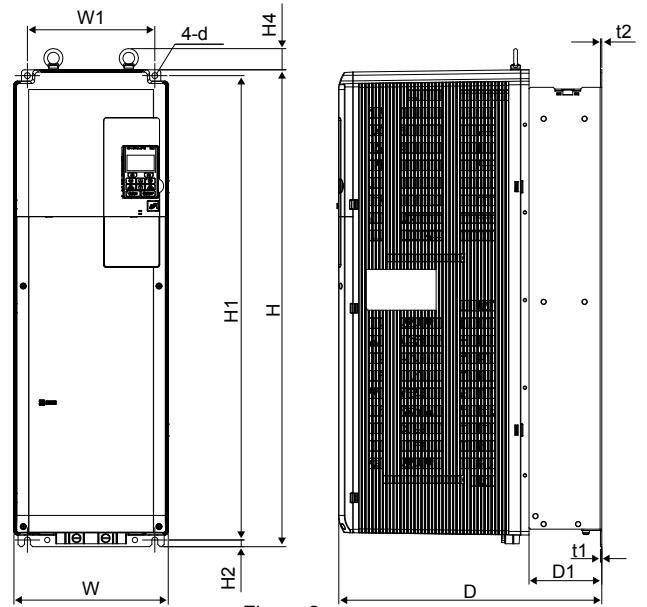


Figure 2

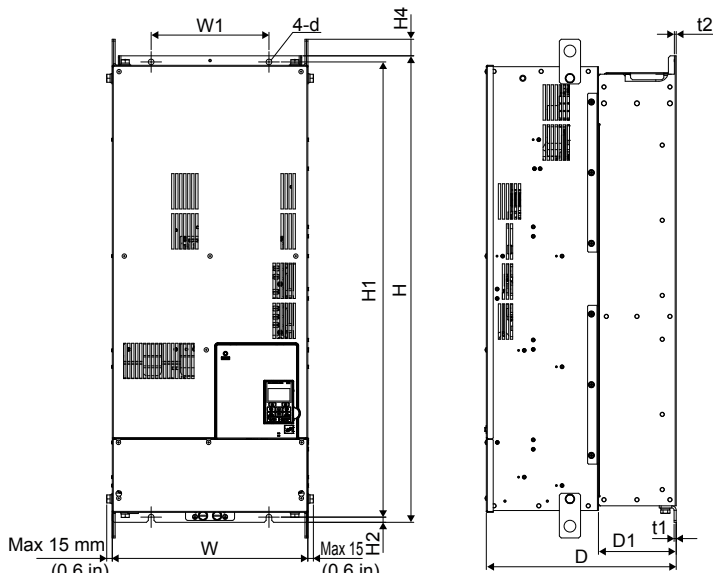


Figure 3

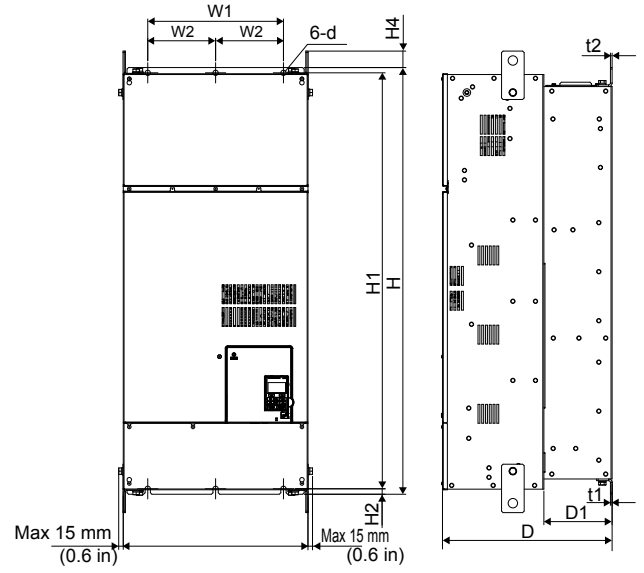


Figure 4

Table 2.4 Dimensions for IP00 Enclosure: 200 V Class

Drive Model	Figure	Dimensions mm (in)											Wt. kg (lb)		
		W	H	D	W1	W2	H1	H2	H4	D1	t1	t2	d	Models 2A□/ 2P□	Models 2E□/ 2W□
2□0028A	1	250 (9.84)	480 (18.89)	360 (14.17)	205 (8.07)	—	463 (18.22)	6.5 (0.25)	40 (1.58)	100 (3.93)	2.3 (0.10)	4 (0.16)	7 (0.28)	20 (44)	21 (46)
2□0042A		264 (10.39)	650 (25.60)	420 (16.53)	218 (8.58)	—	629 (24.73)	11.5 (0.45)	40 (1.58)	115.5 (4.54)	2.3 (0.10)	4 (0.16)	10 (0.40)	32 (71)	33 (73)
2□0054A														35 (77)	36 (79)
2□0068A															
2□0081A															
2□0104A	2	264 (10.39)	816 (32.12)	450 (17.71)	218 (8.58)	—	795 (31.29)	11.5 (0.45)	40 (1.58)	124.5 (4.90)	2.3 (0.10)	2.3 (0.10)	10 (0.40)	60 (132)	63 (139)
2□0130A															
2□0154A	3	415 (16.33)	900 (38.97)	403 (15.86)	250 (9.84)	—	966 (38.03)	11 (0.43)	40 (1.58)	165 (6.49)	4.5 (0.17)	3.9 (0.15)	12 (0.47)	110 (245)	115 (254)
2□0192A															

Drive Model	Figure	Dimensions mm (in)											Wt. kg (lb)		
		W	H	D	W1	W2	H1	H2	H4	D1	t1	t2	d	Models 2A□/ 2P□	Models 2E□/ 2W□
2□0248A	4	490 (19.29)	1132 (44.56)	450 (17.71)	360 (14.17)	180 (7.08)	1104 (43.46)	14.5 (0.57)	49 (1.92)	181 (7.12)	4.5 (0.17)	4.5 (0.17)	14 (0.55)	176 (388)	181 (399)

Table 2.5 Dimensions for IP00 Enclosure: 400 V Class

Drive Model	Figure	Dimensions mm (in)											Wt. kg (lb)		
		W	H	D	W1	W2	H1	H2	H4	D1	t1	t2	d4	Models 4A□/ 4P□	Models 4E□/ 4W□
4□0011A	1	250 (9.84)	480 (18.89)	360 (14.17)	205 (8.07)	-	463 (18.22)	6.5 (0.25)	40 (1.58)	100 (3.93)	2.3 (0.10)	4 (0.16)	7 (0.28)	20 (44)	21 (46)
4□0014A															
4□0021A															
4□0027A															
4□0034A															
4□0040A		264 (10.39)	650 (25.60)	420 (16.53)	218 (8.58)	-	629 (24.73)	11.5 (0.45)	40 (1.57)	115.5 (4.54)	2.3 (0.10)	4 (0.16)	10 (0.40)	32 (71)	33 (73)
4□0052A														35 (77)	36 (79)
4□0065A															
4□0077A															
4□0096A	2	264 (10.39)	816 (32.12)	450 (17.71)	218 (8.58)	-	795 (31.29)	11.5 (0.45)	40 (1.57)	124.5 (4.90)	2.3 (0.10)	2.3 (0.10)	10 (0.28)	60 (132)	63 (139)
4□0124A															
4□0156A	3	415 (16.33)	990 (38.97)	403 (15.86)	250 (9.84)	-	966 (38.03)	11 (0.43)	40 (1.57)	165 (6.49)	4.5 (0.17)	3.9 (0.15)	12 (0.47)	110 (245)	115 (254)
4□0180A															
4□0216A	4	490 (19.29)	1132 (44.56)	450 (17.71)	360 (14.17)	180 (7.08)	1104 (43.46)	14.5 (0.57)	49 (1.92)	181 (7.12)	4.5 (0.17)	4.5 (0.17)	14 (0.55)	176 (388)	181 (399)
4□0240A															
4□0302A		695 (27.36)	1132 (44.56)	450 (17.71)	560 (22.04)	280 (11.02)	1102 (43.39)	14.5 (0.57)	65 (2.55)	178 (7.00)	4.5 (0.17)	4.5 (0.17)	14 (0.55)	259 (571)	267 (589)
4□0361A															
4□0414A															

## 2.2 Mechanical Installation

### ■ IP20/NEMA Type 1 Enclosure Drives

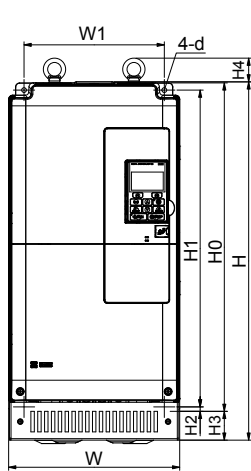


Figure 1

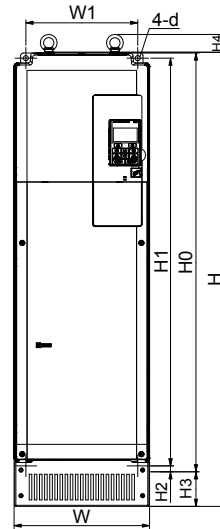
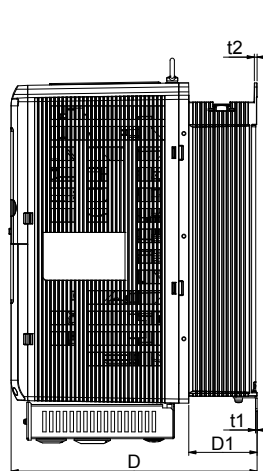


Figure 2

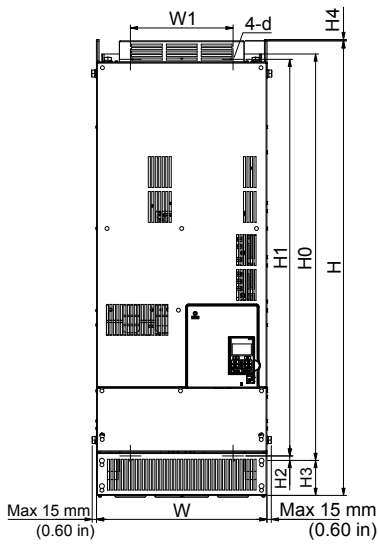
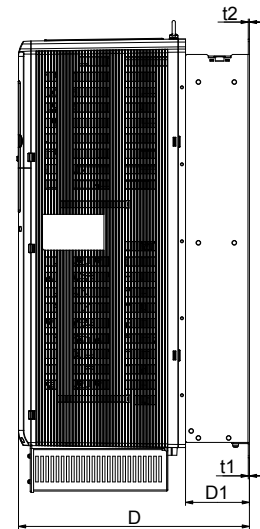


Figure 3

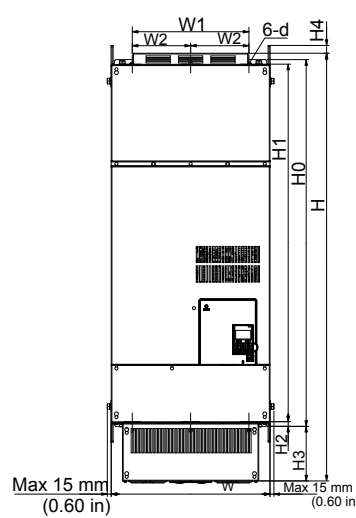
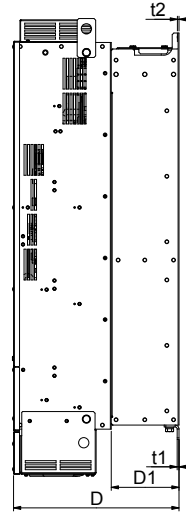


Figure 4

Table 2.6 Dimensions for IP20/NEMA Type 1 Enclosure: 200 V Class

Drive Model	Figure	Dimensions mm (in)														Wt. kg (lb)	
		W	H	D	W1	W2	H0	H1	H2	H3	H4	D1	t1	t2	d	Models 2A□/2P□	Models 2E□/2W□
2□0028F	1	250 (9.84)	524 (20.62)	360 (14.17)	205 (8.07)	-	480 (18.90)	463 (18.22)	6.5 (0.25)	42 (1.65)	40 (1.58)	100 (3.93)	2.3 (0.10)	4 (0.16)	7 (0.28)	21.5 (47)	22.5 (50)
2□0042F		264 (10.39)	705 (27.75)	420 (16.53)	218 (8.58)	-	650 (25.59)	629 (24.73)	11.5 (0.45)	54 (2.12)	40 (1.58)	115.5 (4.54)	2.3 (0.10)	4 (0.16)	10 (0.40)	34 (75)	35 (77)
2□0054F																37 (82)	38 (84)
2□0068F																	
2□0081F																	
2□0104F	2	264 (10.39)	885 (34.84)	450 (17.71)	218 (8.58)	-	816 (32.12)	795 (31.29)	11.5 (0.45)	68 (2.67)	40 (1.58)	124.5 (4.90)	2.3 (0.10)	2.3 (0.10)	10 (0.40)	62 (137)	65 (143)
2□0130F																	
2□0154F	3	415 (16.33)	1107 (43.58)	403 (15.86)	250 (9.84)	-	990 (38.97)	966 (38.03)	11 (0.43)	85 (3.34)	8 (0.31)	165 (6.49)	4.5 (0.17)	3.9 (0.15)	12 (0.47)	113 (249)	118 (260)
2□0192F																	
2□0248F	4	490 (19.29)	1320 (51.96)	450 (17.71)	360 (14.17)	180 (7.08)	1132 (44.56)	1104 (43.46)	14.5 (0.57)	169 (6.65)	29 (1.14)	181 (7.12)	4.5 (0.17)	4.5 (0.17)	14 (0.55)	180 (397)	185 (408)



Table 2.7 Dimensions for IP20/NEMA Type 1 Enclosure: 400 V Class

Drive Model	Figure	Dimensions mm (in)														Wt. kg (lb)	
		W	H	D	W1	W2	H0	H1	H2	H3	H4	D1	t1	t2	d4	Models 4A□/4P□	Models 4E□/4W□
4□0011F	1	250 (9.84)	524 (20.62)	360 (14.17)	205 (8.07)	-	480 (18.90)	463 (18.22)	6.5 (0.25)	42 (1.65)	40 (1.58)	100 (3.93)	2.3 (0.10)	4 (0.15)	7 (0.27)	21.5 (47)	22.5 (50)
4□0014F																	
4□0021F																	
4□0027F																	
4□0034F																	
4□0040F		264 (10.39)	705 (27.75)	420 (16.53)	218 (8.58)	-	650 (22.59)	629 (24.73)	11.5 (0.45)	54 (2.12)	40 (1.57)	115.5 (4.55)	2.3 (0.10)	4 (0.15)	10 (0.40)	34 (75)	35 (77)
4□0052F																37 (82)	38 (84)
4□0065F																62 (137)	65 (143)
4□0077F																	
4□0096F	2	264 (10.39)	885 (34.84)	450 (17.71)	218 (8.58)	-	816 (32.12)	795 (31.29)	11.5 (0.45)	68 (2.67)	40 (1.57)	124.5 (4.90)	2.3 (0.10)	2.3 (0.10)	10 (0.40)	62 (137)	65 (143)
4□0124F																	
4□0156F	3	415 (16.33)	1107 (43.58)	403 (15.86)	250 (9.84)	-	990 (38.97)	966 (38.03)	11 (0.43)	85 (3.34)	8 (0.31)	165 (6.49)	4.5 (0.17)	3.9 (0.15)	12 (0.47)	113 (249)	118 (260)
4□0180F																	
4□0216F	4	490 (19.29)	1320 (51.96)	450 (17.71)	360 (14.17)	180 (7.08)	1132 (44.56)	1104 (43.46)	14.5 (0.57)	169 (6.65)	29 (1.14)	181 (7.12)	4.5 (0.17)	4.5 (0.17)	14 (0.55)	180 (398)	185 (408)
4□0240F																	
4□0302F		695 (27.36)	1460 (57.48)	450 (17.71)	560 (22.05)	280 (11.02)	1132 (44.56)	1102 (43.39)	14.5 (0.57)	300 (11.81)	29 (1.14)	178 (7.00)	4.5 (0.17)	4.5 (0.17)	14 (0.55)	270 (595)	278 (613)
4□0361F																	
4□0414F																	

**This Page Intentionally Blank**

# Electrical Installation

---

This chapter explains proper procedures for wiring the control circuit terminals, motor, and power supply.

<b>3.1</b>	<b>SECTION SAFETY.....</b>	<b>64</b>
<b>3.2</b>	<b>STANDARD CONNECTION DIAGRAM.....</b>	<b>66</b>
<b>3.3</b>	<b>MAIN CIRCUIT CONNECTION DIAGRAM.....</b>	<b>69</b>
<b>3.4</b>	<b>TERMINAL BLOCK CONFIGURATION.....</b>	<b>70</b>
<b>3.5</b>	<b>TERMINAL COVER.....</b>	<b>73</b>
<b>3.6</b>	<b>DIGITAL OPERATOR AND FRONT COVER.....</b>	<b>76</b>
<b>3.7</b>	<b>TOP PROTECTIVE COVER.....</b>	<b>79</b>
<b>3.8</b>	<b>MAIN CIRCUIT WIRING.....</b>	<b>80</b>
<b>3.9</b>	<b>CONTROL CIRCUIT WIRING.....</b>	<b>88</b>
<b>3.10</b>	<b>CONTROL I/O CONNECTIONS.....</b>	<b>94</b>
<b>3.11</b>	<b>CONNECT TO A PC.....</b>	<b>98</b>
<b>3.12</b>	<b>EMC FILTER.....</b>	<b>99</b>
<b>3.13</b>	<b>EXTERNAL INTERLOCK.....</b>	<b>103</b>
<b>3.14</b>	<b>WIRING CHECKLIST.....</b>	<b>104</b>

### 3.1 Section Safety

#### DANGER

##### Electrical Shock Hazard

**Before servicing, disconnect all power to the equipment.**

The capacitor for the control power supply remains charged even after the power supply is turned off. The charge indicator LED will extinguish when the control power supply voltage is below 50 Vdc. To prevent electric shock, wait for at least the time specified on the warning label, once all indicators are OFF, measure for unsafe voltages to confirm the drive is safe prior to servicing.

Failure to comply will result in death or serious injury.

#### WARNING

##### Electrical Shock Hazard

**Do not operate equipment with covers removed.**

Failure to comply could result in death or serious injury.

The diagrams in this section may show drives without covers or safety shields to show details. Be sure to reinstall covers or shields before operating the drives and run the drives according to the instructions described in this manual.

**Always use appropriate equipment for Ground Fault Circuit Interrupters (GFCIs).**

The drive can cause a residual current with a DC component in the protective earthing conductor. Where a residual current operated protective or monitoring device is used for protection in case of direct or indirect contact, always use a type B GFCI according to IEC/EN 60755.

**Always ground the motor-side grounding terminal.**

Improper equipment grounding could result in death or serious injury by contacting the motor case.

**Do not perform work on the drive while wearing loose clothing, jewelry or without eye protection.**

Failure to comply could result in death or serious injury.

Remove all metal objects such as watches and rings, secure loose clothing, and wear eye protection before beginning work on the drive.

**Do not remove covers or touch circuit boards while the power is on.**

Failure to comply could result in death or serious injury.

**Do not allow unqualified personnel to perform work on the drive.**

Failure to comply could result in death or serious injury.

Installation, maintenance, inspection, and service must be performed only by authorized personnel familiar installation, adjustment, and maintenance of drives.

**Do not touch any terminals before the capacitors have fully discharged.**

Failure to comply could result in death or serious injury.

Before wiring terminals, disconnect all power to the equipment. The capacitor for the control power supply remains charged even after the power supply is turned off. After shutting off the power, wait for at least the amount of time specified on the drive before touching any components.

##### Fire Hazard

**Tighten all terminal screws to the specified tightening torque.**

Loose electrical connections could result in death or serious injury by fire due to overheating of electrical connections.

**Do not use improper combustible materials.**

Failure to comply could result in death or serious injury by fire.

Do not install the drive to a combustible surface. Never place combustible materials on the drive.

**⚠ WARNING****Do not use an improper voltage source.**

Failure to comply could result in death or serious injury by fire.

Verify that the rated voltage of the drive matches the voltage of the incoming power supply before applying power.

**⚠ CAUTION****Do not carry the drive by the front cover or the terminal cover.**

Failure to comply may cause the main body of the drive to fall, resulting in minor or moderate injury.

**NOTICE****Observe proper electrostatic discharge procedures (ESD) when handling the drive and circuit boards.**

Failure to comply may result in ESD damage to the drive circuitry.

**Never connect or disconnect the motor from the drive while the drive is outputting voltage.**

Improper equipment sequencing could result in damage to the drive.

**Do not use unshielded cable for control wiring.**

Failure to comply may cause electrical interference resulting in poor system performance. Use shielded, twisted-pair wires and ground the shield to the ground terminal of the drive.

**Do not allow unqualified personnel to use the product.**

Failure to comply could result in damage to the drive.

Carefully review instruction manual when connecting, wiring, or replacing the drive.

**Do not modify the drive circuitry.**

Failure to comply could result in damage to the drive and will void warranty.

Yaskawa is not responsible for any modification of the product made by the user. This product must not be modified.

**Check all the wiring to ensure that all connections are correct after installing the drive and connecting any other devices.**

Failure to comply could result in damage to the drive.

### 3.2 Standard Connection Diagram

Connect the drive and peripheral devices as shown in [Figure 3.1](#). It is possible to set and run the drive via the digital operator without connecting digital I/O wiring. This section does not discuss drive operation; [Refer to Start-Up Programming & Operation on page 107](#) for instructions on operating the drive.

**NOTICE:** *Inadequate wiring could result in damage to the drive. Install adequate branch circuit protection per applicable codes. The drive is suitable for use on a circuit capable of delivering not more than 100,000 RMS symmetrical amperes, 240 Vac maximum (200 V class), 480 Vac maximum (400 V class: 4E□□□□ and 4W□□□□), and 500 Vac maximum (400 V class: 4A□□□□ and 4P□□□□) when protected by branch circuit protection devices specified in this document.*

**NOTICE:** *Do not connect AC control circuit ground to drive enclosure. Improper drive grounding can cause control circuit malfunction.*

**NOTICE:** *Route motor leads U/T1, V/T2, and W/T3 separate from all other leads to reduce possible interference related issues. Failure to comply may result in abnormal operation of drive and nearby equipment.*

**NOTICE:** *Correctly set Sink/Source jumper S3 for internal power supply. Failure to comply may result in damage to the drive. [Refer to Control I/O Connections on page 94](#) for details.*

**Note:** The minimum load for the relay outputs M1-M2, M3-M4, M5-M6, and MA-MB-MC is 10 mA.

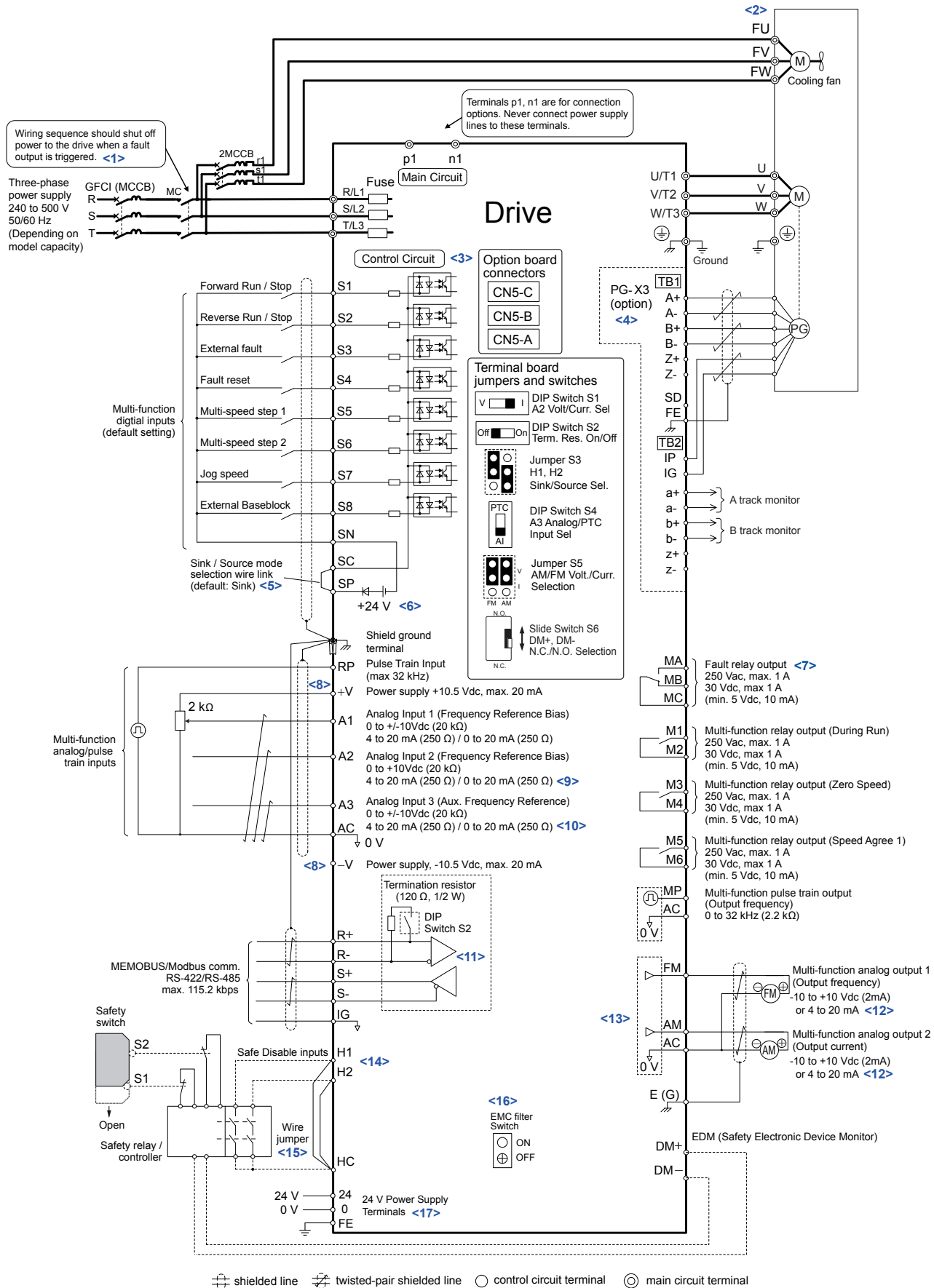


Figure 3.1 Drive Standard Connection Diagram (example: model 2□0028)

## 3.2 Standard Connection Diagram

---

- <1> When setting L5-02 to 1 to trigger a fault output whenever the fault restart function is activated, a sequence to interrupt power when a fault occurs will turn off power to the drive as the drive attempts to restart. The default setting for L5-02 is 0 (Fault output not active during restart attempt).
- <2> Self-cooling motors do not require wiring that is necessary for motors using a cooling fan.
- <3> Supplying power to the control circuit separately from the main circuit requires 24 V power supply (option).
- <4> PG option card wiring is not necessary for control modes that do not use a motor speed feedback signal.
- <5> This figure illustrates an example of a sequence input to S1 through S8 using a non-powered relay or an NPN transistor. Install the wire link between terminals SC-SP for Sink mode, between SC-SN for Source mode, or leave the link out for external power supply. Never short terminals SP and SN, as it will damage the drive.
- <6> This voltage source supplies a maximum current of 150 mA when not using a digital input card DI-A3.
- <7> Wire the fault relay output separately from the main circuit power supply and other power lines.
- <8> The maximum output current capacity for the +V and -V terminals on the control circuit is 20 mA. Never short terminals +V, -V, and AC, as it can cause erroneous operation or damage the drive.
- <9> Set DIP switch S1 to select between a voltage or current input signal to terminal A2. The default setting is for current input.
- <10> Set DIP switch S4 to select between analog or PTC input for terminal A3.
- <11> Set DIP switch S2 to the ON position to enable the termination resistor in the last drive in a MEMOBUS/Modbus network.
- <12> Monitor outputs work with devices such as analog frequency meters, ammeters, voltmeters, and wattmeters. They are not intended for use as a feedback-type signal.
- <13> Use jumper S5 to select between voltage or current output signals at terminals AM and FM. Set parameters H4-07 and H4-08 accordingly.
- <14> Use jumper S3 to select between Sink mode, Source mode, and external power supply for the Safe Disable inputs.
- <15> Disconnect the wire jumper between H1 - HC and H2 - HC when utilizing the Safe Disable input.
- <16> Models UU□A□□□□ and UU□P□□□□ do not have a built-in EMC filter switch.
- <17> Models UU□P□□□□ and UU□W□□□□ have terminals 24, 0, and FE.

**WARNING!** *Sudden Movement Hazard. Do not close the wiring for the control circuit unless the multifunction input terminal parameters are properly set. Improper sequencing of run/stop circuitry could result in death or serious injury from moving equipment.*

**WARNING!** *Sudden Movement Hazard. Ensure start/stop and safety circuits are wired properly and in the correct state before energizing the drive. Failure to comply could result in death or serious injury from moving equipment. When programmed for 3-Wire control, a momentary closure on terminal S1 may cause the drive to start.*

**WARNING!** *Sudden Movement Hazard. When using a 3-Wire sequence, set the drive to 3-Wire sequence prior to wiring the control terminals and set parameter b1-17 to 0 so the drive will not accept a Run command at power up (default). If the drive is wired for a 3-Wire sequence but set up for a 2-Wire sequence (default), and parameter b1-17 is set to 1 so the drive accepts a Run command at power up, the motor will rotate in reverse direction at drive power up and may cause injury.*

**WARNING!** *Sudden Movement Hazard. Confirm the drive I/O signals and external sequence before executing the application preset function. Executing the application preset function or setting A1-06 ≠ 0 will change the drive I/O terminal functions and may cause unexpected equipment operation. Failure to comply may cause death or serious injury.*

**NOTICE:** *When using the automatic fault restart function with wiring designed to shut off the power supply upon drive fault, make sure the drive does not trigger a fault output during fault restart (L5-02 = 0, default). Failure to comply will prevent the automatic fault restart function from working properly.*



### 3.3 Main Circuit Connection Diagram

Refer to [Figure 3.2](#) when wiring the main circuit of the drive. Connections may vary based on drive capacity. The DC power supply for the main circuit also provides power to the control circuit.

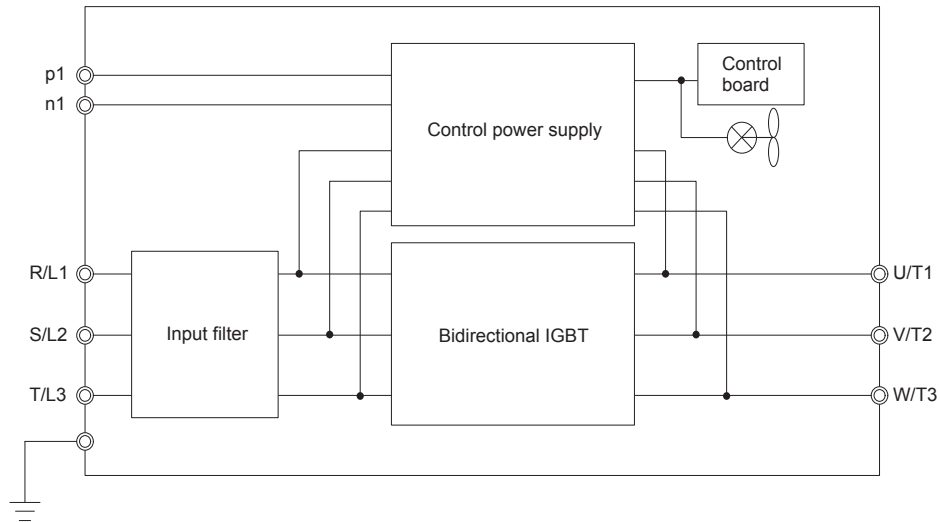


Figure 3.2 Connecting Main Circuit Terminals

## 3.4 Terminal Block Configuration

Figure 3.3 to Figure 3.8 show the different main circuit terminal arrangements for the drive capacities. Use Table 3.1 to determine the correct figure based on drive model.

Table 3.1 Terminal Block Configuration

Voltage Class	Drive Model	Figure
200 V Class	2□0028	Figure 3.3
	2□0042	Figure 3.4
	2□0054	
	2□0068	
	2□0081	
	2□0104	Figure 3.5
	2□0130	Figure 3.6
	2□0154	
	2□0192	
	2□0248	Figure 3.7
400 V Class	4□0011	Figure 3.3
	4□0014	
	4□0021	
	4□0027	
	4□0034	
	4□0040	
	4□0052	
	4□0065	
	4□0077	
	4□0096	Figure 3.5
	4□0124	
	4□0156	Figure 3.6
	4□0180	Figure 3.7
	4□0216	
	4□0240	
	4□0302	Figure 3.8
4□0361		
4□0414		

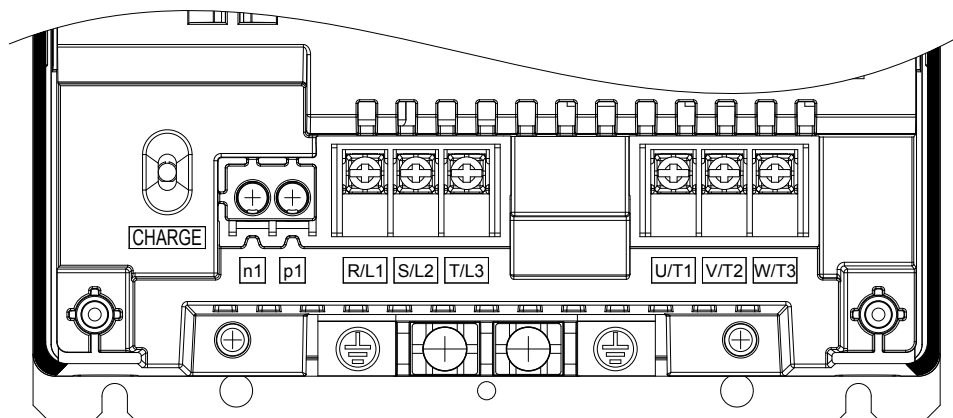


Figure 3.3 Main Circuit Terminal Configuration (Models 2□0028 and 4□0011 to 4□0034)

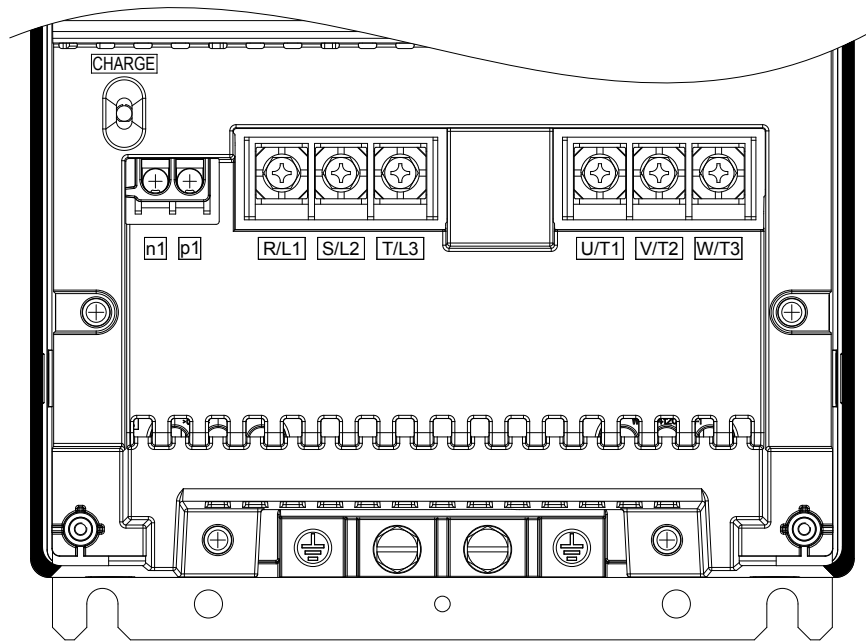


Figure 3.4 Main Circuit Terminal Configuration (Models 2□0042 to 2□0081 and 4□0040 to 4□0077)

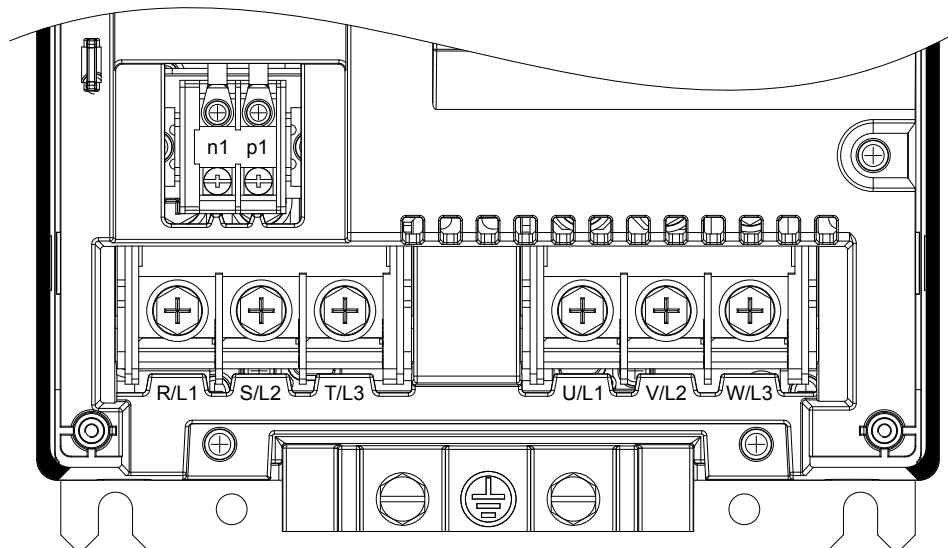


Figure 3.5 Main Circuit Terminal Configuration (Models 2□0104, 2□0130, 4□0096, and 4□0124)

### 3.4 Terminal Block Configuration

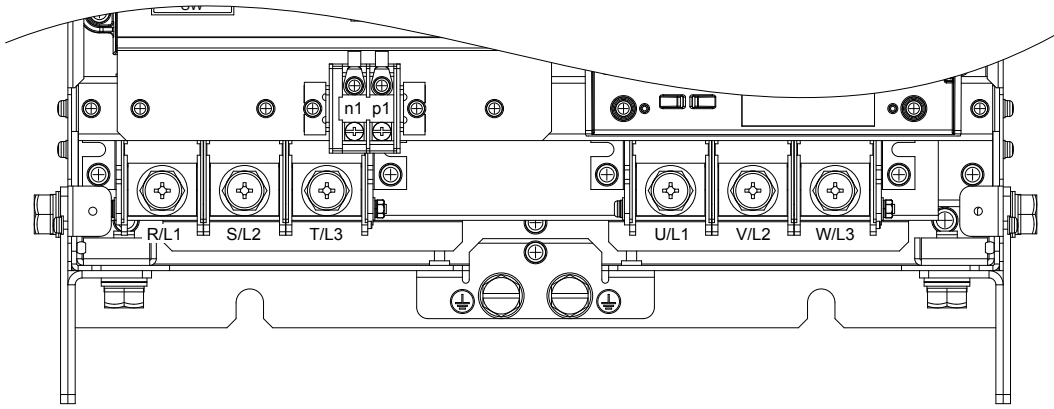


Figure 3.6 Main Circuit Terminal Configuration (Models 2□0154, 2□0192, 4□0156, and 4□0180)

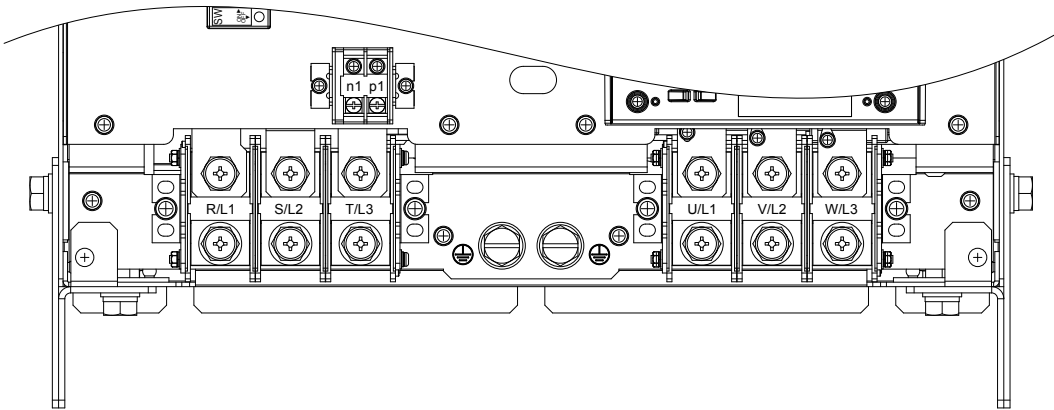


Figure 3.7 Main Circuit Terminal Configuration (Models 2□0248, 4□0216, and 4□0240)

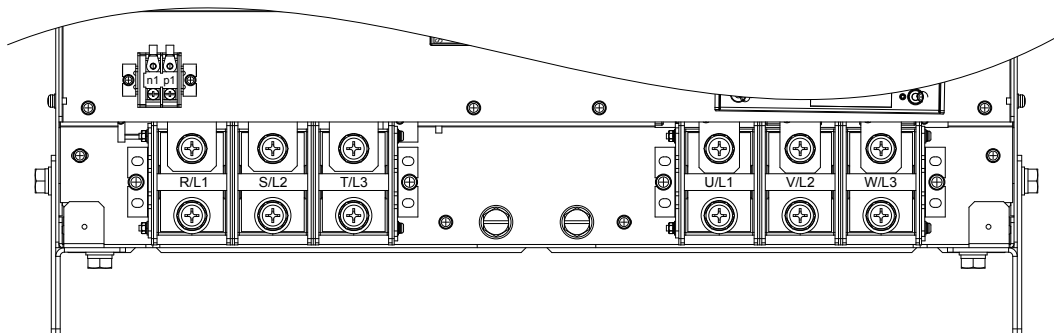


Figure 3.8 Main Circuit Terminal Configuration (Models 4□0302 to 4□0414)

## 3.5 Terminal Cover

Follow the procedure below to remove the terminal cover for wiring and to reattach the terminal cover after wiring is complete.

### ◆ Models 2□0028 to 2□0130 and 4□0011 to 4□0124

#### ■ Removing the Terminal Cover

1. Loosen the terminal cover screw.

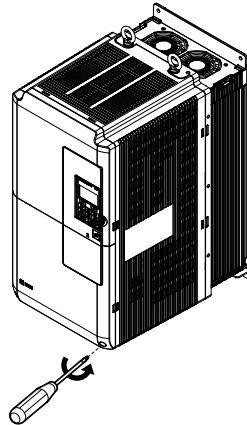


Figure 3.9 Removing the Terminal Cover

2. Push in on the tab located on the bottom of the terminal cover and gently pull forward to remove the terminal cover.

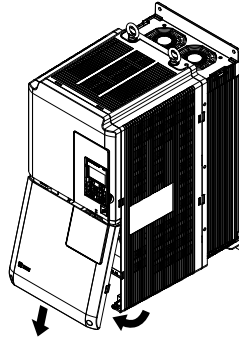


Figure 3.10 Removing the Terminal Cover

#### ■ Reattaching the Terminal Cover

Power lines and signal wiring should pass through the opening provided. *Refer to [Wiring the Main Circuit Terminal on page 86](#) and [Wiring the Control Circuit Terminal on page 91](#) for details on wiring.*

Reattach the terminal cover after completing the wiring to the drive and other devices.

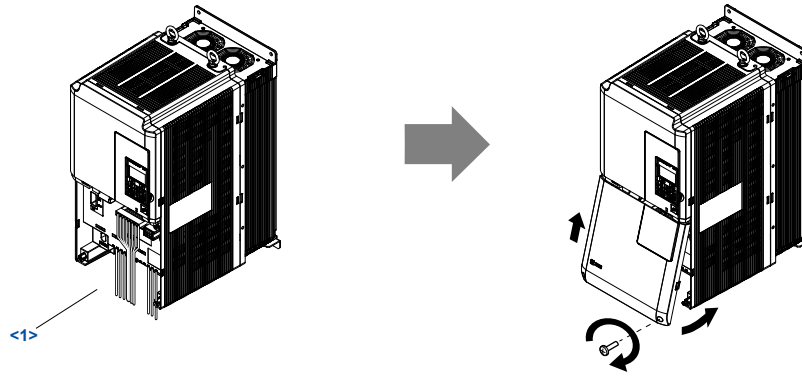


Figure 3.11 Reattaching the Terminal Cover

<1> Connect the ground wiring first, then the main circuit wiring, and finally the control circuit wiring.

### ◆ Models 2□0154 to 2□0248 and 4□0156 to 4□0414

#### ■ Removing the Terminal Cover

1. Loosen the screws on the terminal cover, then pull down on the cover.

**CAUTION!** Do not completely remove the cover screws, just loosen them. If the cover screws are removed completely, the terminal cover may fall off causing an injury.

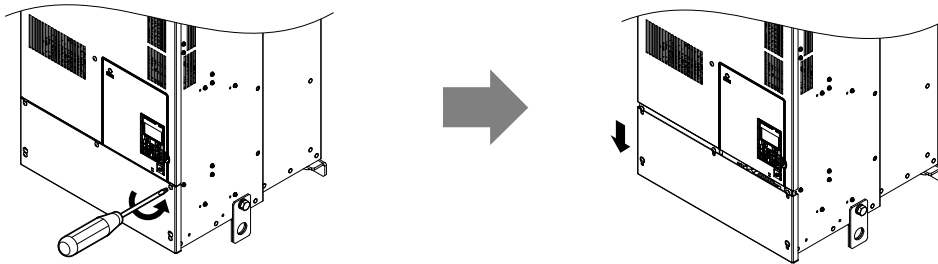


Figure 3.12 Removing the Terminal Cover

2. Pull forward on the terminal cover to free it from the drive.

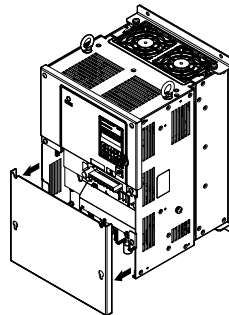
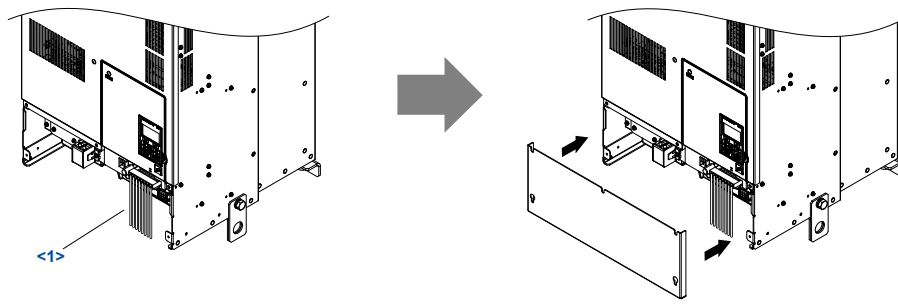


Figure 3.13 Removing the Terminal Cover

#### ■ Reattaching the Terminal Cover

After wiring the terminal board and other devices, double-check connections and reattach the terminal cover. *Refer to Wiring the Main Circuit Terminal on page 86 and Wiring the Control Circuit Terminal on page 91 for details on wiring.*



**Figure 3.14 Reattaching the Terminal Cover**

<1> Connect the ground wiring first, then the main circuit wiring, and finally the control circuit wiring.

### 3.6 Digital Operator and Front Cover

Detach the digital operator from the drive for remote operation or when opening the front cover to install an option card.

**NOTICE:** Be sure to remove the digital operator prior to opening or reattaching the front cover. Leaving the digital operator plugged into the drive when removing the front cover can result in erroneous operation caused by a poor connection. Firmly fasten the front cover back into place before reattaching the digital operator.

#### ◆ Removing/Reattaching the Digital Operator

##### ■ Removing the Digital Operator

While pressing on the tab located on the right side of the digital operator, pull the digital operator forward to remove it from the drive.

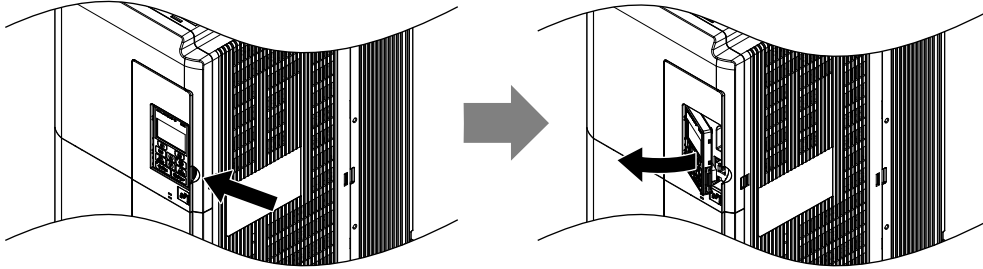


Figure 3.15 Removing the Digital Operator

##### ■ Reattaching the Digital Operator

Insert the digital operator into the opening in the front cover while aligning it with the notches on the left side of the opening. Next, press gently on the right side of the operator until it clicks into place.

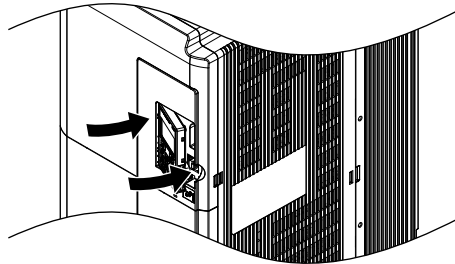


Figure 3.16 Reattaching the Digital Operator

#### ◆ Removing/Reattaching the Front Cover

##### ■ Removing the Front Cover

*Models 2□0028 to 2□0130 and 4□0011 to 4□0124*

After removing the terminal cover and the digital operator, loosen the screw that affixes the front cover. Pinch in on the tabs found on each side of the front cover, then pull forward to remove it from the drive.



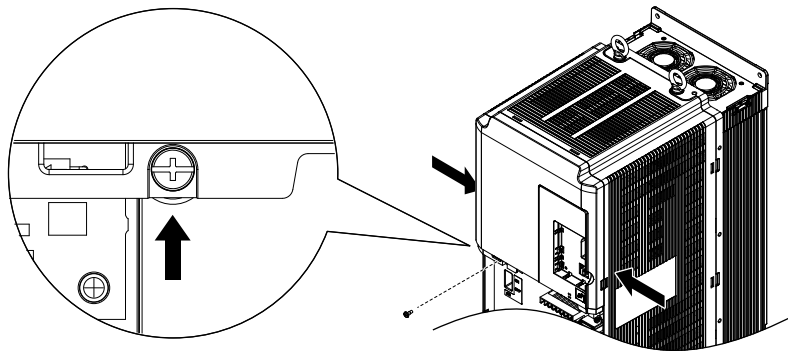


Figure 3.17 Remove the Front Cover (Models 2□0028 to 2□0130 and 4□0011 to 4□0124)

*Models 2□0154 to 2□0248 and 4□0156 to 4□0414*

1. Remove the terminal cover and the digital operator.
2. Loosen the installation screw on the front cover.
3. Use a straight-edge screwdriver to loosen the hooks on each side of the cover that hold it in place.

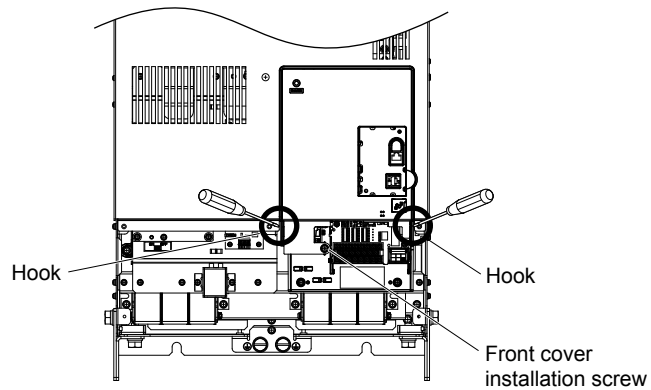


Figure 3.18 Remove the Front Cover (Models 2□0154 to 2□0248 and 4□0156 to 4□0414)

4. Unhook the left side of the front cover then swing the left side towards you as shown in [Figure 3.19](#) until the cover comes off.

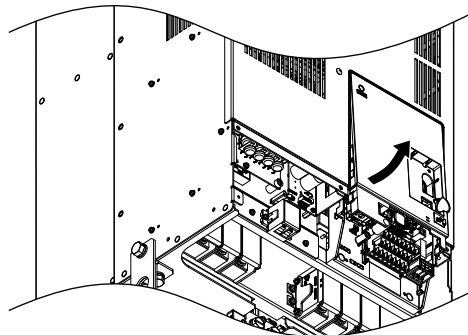


Figure 3.19 Remove the Front Cover (Models 2□0154 to 2□0248 and 4□0156 to 4□0414)

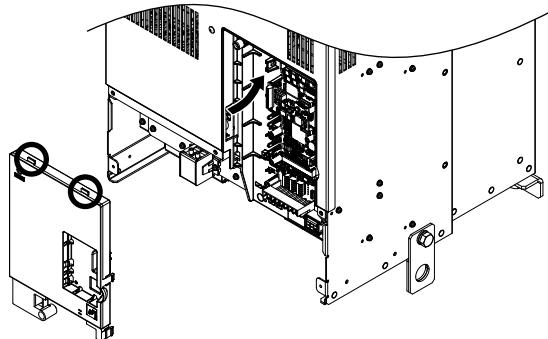
### ■ Reattaching the Front Cover

*Models 2□0028 to 2□0130 and 4□0011 to 4□0124*

Reverse the instructions given in *Remove the Front Cover (Models 2□0028 to 2□0130 and 4□0011 to 4□0124)* on page 77 to reattach the front cover. Pinch inwards on the hooks found on each side of the front cover while guiding it back into the drive. Make sure it clicks firmly into place.

*Models 2□0154 to 2□0248 and 4□0156 to 4□0414*

1. Slide the front cover so the hooks on the top connect to the drive.



**Figure 3.20 Reattach the Front Cover (Models 2□0154 to 2□0248 and 4□0156 to 4□0414)**

2. After connecting the hooks to the drive, press firmly on the cover to lock it into place.

## 3.7 Top Protective Cover

Drive models with IP00 specifications become NEMA Type 1 after correctly installing a top protective cover. Do not attach the top protective cover when installing the drive in a control panel.

### ◆ Attaching the Top Protective Cover

Insert the small protruding hooks on the sides of the top protective cover into the provided mounting holes on the top of the drive. Pinch the hooks inward so that they connect with the mounting holes and fasten the top protective cover back into place.

**Note:** Attaching the top protective cover and the bottom conduit bracket to an IP00 drive changes protection to NEMA Type 1.

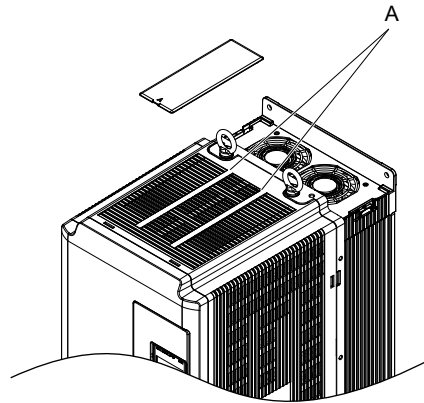


Figure 3.21 Reattaching the Protective Cover

### ◆ Removing the Top Protective Cover

Insert the tip of a straight-edge screwdriver into the small opening located on the front edge of the top protective cover. Gently apply pressure as shown in [Figure 3.22](#) to free the cover from the drive.

**Note:** Removing the top protective cover or the bottom conduit bracket from an IP20/NEMA Type 1 enclosure drive voids the NEMA Type 1 protection while maintaining IP20 conformity.

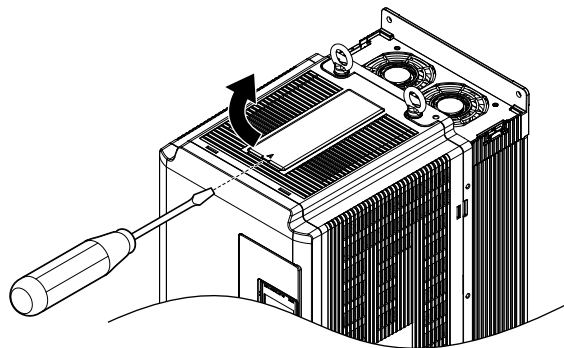


Figure 3.22 Removing the Top Protective Cover

### 3.8 Main Circuit Wiring

This section describes the functions, specifications, and procedures required to safely and properly wire the main circuit in the drive.

**NOTICE:** Do not solder the ends of wire connections to the drive. Soldered wiring connections can loosen over time. Improper wiring practices could result in drive malfunction due to loose terminal connections.

**NOTICE:** Do not switch the drive input to start or stop the motor. Frequently switching the drive on and off shortens the life of the DC bus charge circuit and the DC bus capacitors, and can cause premature drive failures. For the full performance life, refrain from switching the drive on and off more than once every 30 minutes.

#### ◆ Main Circuit Terminal Functions

Table 3.2 Main Circuit Terminal Functions

Drive Model	2□0028 to 2□0248	4□0011 to 4□0414	Function	Page
Terminal	Type			
R/L1	Main circuit power supply input		Connects line power to the drive	67
S/L2				
T/L3				
U/T1	Drive output		Connects to the motor	67
V/T2				
W/T3				
p1, n1	Momentary power loss recovery unit input		Available for connecting a momentary power loss recovery unit option	–
⊕	100 Ω or less	10 Ω or less	Grounding terminal	86

#### ◆ Protecting Main Circuit Terminals

##### ■ Insulation Caps or Sleeves

Use insulation caps or sleeves when wiring the drive with crimp terminals. Take particular care to ensure that the wiring does not touch nearby terminals or the surrounding case.

##### ■ Main Circuit Protective Cover

Close the protective cover after wiring the main circuit terminals on 2□0028 to 2□0081 and 4□0011 to 4□0077.

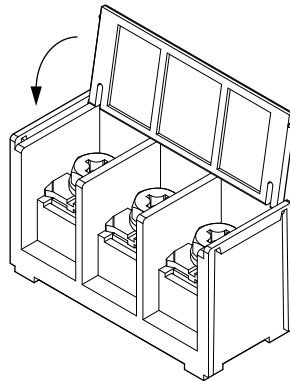


Figure 3.23 Main Circuit Protective Cover (Models 2□0028 to 2□0081 and 4□0011 to 4□0077)

Attach the protective covers after wiring the main circuit terminals and p1, and n1 terminals on models 2□0104 to 2□0248 and 4□0096 to 4□0414.

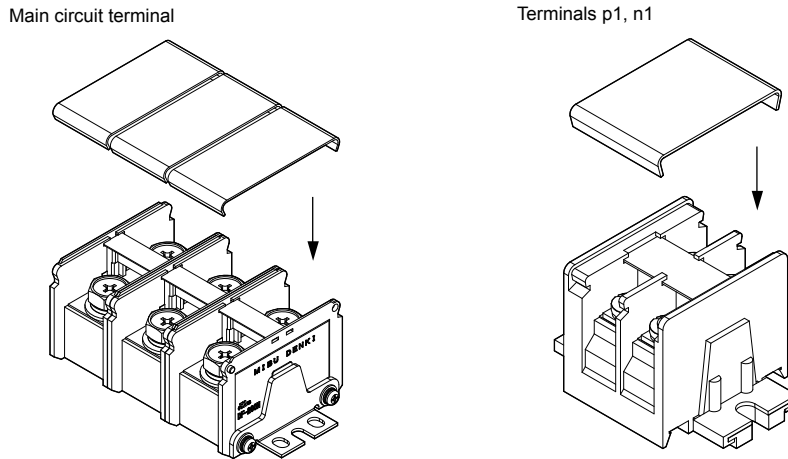


Figure 3.24 Protective Cover (Models 2□0104 to 2□0248 and 4□0096 to 4□0414)

### ◆ Main Circuit Wire Gauges and Tightening Torque

Use the tables in this section to select the appropriate wires and crimp terminals.

Gauges listed in the tables are for use in the United States.

**Note:** Wire gauge recommendations based on drive continuous current ratings (ND) using 75 °C 600 Vac vinyl-sheathed wire assuming ambient temperature within 40 °C and wiring distance less than 100 m.

Consider the amount of voltage drop when selecting wire gauges. Increase the wire gauge when the voltage drop is greater than 2% of motor rated voltage. Ensure the wire gauge is suitable for the terminal block. Use the following formula to calculate the amount of voltage drop:

$$\text{Line drop voltage (V)} = \sqrt{3} \times \text{wire resistance } (\Omega/\text{km}) \times \text{wire length (m)} \times \text{current (A)} \times 10^{-3}$$

*Refer to UL Standards Compliance on page 599* for information on UL compliance.

The wire gauges listed in the following tables are Yaskawa recommendations. Refer to local codes for proper wire gauge selections.

#### ■ Three-Phase 200 V Class

Table 3.3 Wire Gauge and Torque Specifications (Three-Phase 200 V Class)

Drive Model	Terminal	For USA and Canada		For South America		Screw Size	Tightening Torque N·m (lb.in.)
		Recomm. Gauge mm <sup>2</sup> (AWG, kcmil)	Wire Range mm <sup>2</sup> (AWG, kcmil)	Recomm. Gauge mm <sup>2</sup> (AWG, kcmil)	Wire Range mm <sup>2</sup> (AWG, kcmil)		
2□0028	R/L1, S/L2, T/L3	10 (8)	6 to 10 (10 to 8)	4 (12)	2.5 to 10 (14 to 8)	M5	2.3 to 2.7 (20.4 to 23.9)
	U/T1, V/T2, W/T3	10 (8)	6 to 10 (10 to 8)	4 (12)	2.5 to 10 (14 to 8)	M5	
	⊕	10 (8)	6 to 16 (10 to 6)	6 (10)	6 to 16 (10 to 5)	M6	3.9 to 4.9 (34.7 to 43.4)
	p1, n1	2.5 (14)	2.5 to 4 (14 to 12)	2.5 (14)	2.5 to 4 (14 to 12)	M4	1 to 1.4 (8.9 to 12.4)
2□0042	R/L1, S/L2, T/L3	16 (6)	10 to 25 (8 to 3)	10 (8)	6 to 25 (10 to 3)	M6	4 to 6 (35.4 to 53.1)
	U/T1, V/T2, W/T3	16 (6)	10 to 25 (8 to 3)	10 (8)	6 to 25 (10 to 3)	M6	
	⊕	10 (8)	6 to 25 (10 to 3)	10 (8)	6 to 25 (10 to 3)	M8	8.8 to 10.8 (78.1 to 95.5)
	p1, n1	2.5 (14)	2.5 to 4 (14 to 12)	2.5 (14)	2.5 to 4 (14 to 12)	M4	1 to 1.4 (8.9 to 12.4)

### 3.8 Main Circuit Wiring

Drive Model	Terminal	For USA and Canada		For South America		Screw Size	Tightening Torque N·m (lb.in.)
		Recomm. Gauge mm <sup>2</sup> (AWG, kcmil)	Wire Range mm <sup>2</sup> (AWG, kcmil)	Recomm. Gauge mm <sup>2</sup> (AWG, kcmil)	Wire Range mm <sup>2</sup> (AWG, kcmil)		
2□0054	R/L1, S/L2, T/L3	25 (4)	16 to 25 (6 to 3)	16 (5)	10 to 25 (8 to 3)	M6	4 to 6 (35.4 to 53.1)
	U/T1, V/T2, W/T3	25 (4)	16 to 25 (6 to 3)	16 (5)	10 to 25 (8 to 3)	M6	
	⊕	16 (6)	10 to 25 (8 to 3)	10 (8)	10 to 25 (8 to 3)	M8	8.8 to 10.8 (78.1 to 95.5)
	p1, n1	2.5 (14)	2.5 to 4 (14 to 12)	2.5 (14)	2.5 to 4 (14 to 12)	M4	1 to 1.4 (8.9 to 12.4)
2□0068	R/L1, S/L2, T/L3	25 (4)	25 (4 to 3)	16 (5)	16 to 25 (5 to 3)	M6	4 to 6 (35.4 to 53.1)
	U/T1, V/T2, W/T3	25 (4)	25 (4 to 3)	16 (5)	16 to 25 (5 to 3)	M6	
	⊕	16 (6)	16 to 25 (6 to 3)	16 (5)	16 to 25 (5 to 3)	M8	8.8 to 10.8 (78.1 to 95.5)
	p1, n1	2.5 (14)	2.5 to 4 (14 to 12)	2.5 (14)	2.5 to 4 (14 to 12)	M4	1 to 1.4 (8.9 to 12.4)
2□0081	R/L1, S/L2, T/L3	16 × 2 (6 × 2P)	16 to 25 × 2 (6 to 3 × 2P)	25 (3)	16 to 25 (5 to 3 × 2P)	M6	4 to 6 (35.4 to 53.1)
	U/T1, V/T2, W/T3	16 × 2 (6 × 2P)	16 to 25 × 2 (6 to 3 × 2P)	25 (3)	16 to 25 (5 to 3 × 2P)	M6	
	⊕	16 (6)	16 to 25 (6 to 3)	16 (5)	16 to 25 (5 to 3)	M8	8.8 to 10.8 (78.1 to 95.5)
	p1, n1	2.5 (14)	2.5 to 4 (14 to 12)	2.5 (14)	2.5 to 4 (14 to 12)	M4	1 to 1.4 (8.9 to 12.4)
2□0104	R/L1, S/L2, T/L3	35 (1)	16 to 50 × 2 (6 to 1/0 × 2P)	35 (1)	10 to 50 × 2P (8 to 1/0 × 2P)	M8	8 to 10 (70.8 to 88.5)
	U/T1, V/T2, W/T3	35 (1)	16 to 50 × 2 (6 to 1/0 × 2P)	35 (1)	10 to 50 × 2P (8 to 1/0 × 2P)	M8	
	⊕	25 (4)	25 to 35 (4 to 1)	25 (3)	10 to 35 (8 to 1)	M8	8.8 to 10.8 (78.1 to 95.5)
	p1, n1	2.5 (14)	2.5 to 4 (14 to 12)	2.5 (14)	2.5 to 4 (14 to 12)	M4	1.2 to 2.0 (10.6 to 17.7)
2□0130	R/L1, S/L2, T/L3	25 × 2 (4 × 2P)	16 to 50 × 2 (6 to 1/0 × 2P)	16 × 2P (5 × 2P)	10 to 50 × 2P (8 to 1/0 × 2P)	M8	8 to 10 (70.8 to 88.5)
	U/T1, V/T2, W/T3	25 × 2 (4 × 2P)	16 to 50 × 2 (6 to 1/0 × 2P)	16 × 2P (5 × 2P)	10 to 50 × 2P (8 to 1/0 × 2P)	M8	
	⊕	25 (4)	25 to 35 (4 to 1)	16 (5)	16 to 35 (5 to 1)	M8	8.8 to 10.8 (78.1 to 95.5)
	p1, n1	2.5 (14)	2.5 to 4 (14 to 12)	2.5 (14)	2.5 to 4 (14 to 12)	M4	1.2 to 2.0 (10.6 to 17.7)
2□0154	R/L1, S/L2, T/L3	25 × 2 (3 × 2P)	25 to 95 × 2 (4 to 4/0 × 2P)	25 × 2P (3 × 2P)	16 to 95 × 2P (5 to 4/0 × 2P)	M10	15 to 20 (133 to 177)
	U/T1, V/T2, W/T3	25 × 2 (3 × 2P)	25 to 95 × 2 (4 to 4/0 × 2P)	25 × 2P (3 × 2P)	16 to 95 × 2P (5 to 4/0 × 2P)	M10	
	⊕	25 (4)	25 to 70 (4 to 2/0)	25 (3)	25 to 70 (3 to 2/0)	M10	17.7 to 22.6 (156 to 200)
	p1, n1	2.5 (14)	2.5 to 4 (14 to 12)	2.5 (14)	2.5 to 4 (14 to 12)	M4	1.2 to 2.0 (10.6 to 17.7)
2□0192	R/L1, S/L2, T/L3	35 × 2 (1 × 2P)	25 to 95 × 2 (3 to 4/0 × 2P)	35 × 2P (1 × 2P)	25 to 95 × 2P (3 to 4/0 × 2P)	M10	15 to 20 (133 to 177)
	U/T1, V/T2, W/T3	35 × 2 (1 × 2P)	25 to 95 × 2 (3 to 4/0 × 2P)	35 × 2P (1 × 2P)	25 to 95 × 2P (3 to 4/0 × 2P)	M10	
	⊕	25 (3)	25 to 70 (4 to 2/0)	25 (3)	25 to 70 (3 to 2/0)	M10	17.7 to 22.6 (156 to 200)
	p1, n1	2.5 (14)	2.5 to 4 (14 to 12)	2.5 (14)	2.5 to 4 (14 to 12)	M4	1.2 to 2.0 (10.6 to 17.7)

Drive Model	Terminal	For USA and Canada		For South America		Screw Size	Tightening Torque N·m (lb.in.)
		Recomm. Gauge mm <sup>2</sup> (AWG, kcmil)	Wire Range mm <sup>2</sup> (AWG, kcmil)	Recomm. Gauge mm <sup>2</sup> (AWG, kcmil)	Wire Range mm <sup>2</sup> (AWG, kcmil)		
2□0248	R/L1, S/L2, T/L3	70 × 2 (2/0 × 2P)	35 to 95 × 2 (1 to 4/0 × 2P)	50 × 2P (1/0 × 2P)	35 to 95 × 2P (1 to 4/0 × 2P)	M10	15 to 20 (133 to 177)
	U/T1, V/T2, W/T3	70 × 2 (2/0 × 2P)	35 to 95 × 2 (1 to 4/0 × 2P)	50 × 2P (1/0 × 2P)	35 to 95 × 2P (1 to 4/0 × 2P)	M10	
	⊖	25 (3)	25 to 95 (4 to 4/0)	35 (1)	25 to 95 (3 to 4/0)	M12	31.4 to 39.2 (278 to 347)
	p1, n1	2.5 (14)	2.5 to 4 (14 to 12)	2.5 (14)	2.5 to 4 (14 to 12)	M4	1.2 to 2.0 (10.6 to 17.7)

■ Three-Phase 400 V Class

Table 3.4 Wire Gauge and Torque Specifications (Three-Phase 400 V Class)

Drive Model	Terminal	For USA and Canada		For South America		Screw Size	Tightening Torque N·m (lb.in.)
		Recomm. Gauge mm <sup>2</sup> (AWG, kcmil)	Wire Range mm <sup>2</sup> (AWG, kcmil)	Recomm. Gauge mm <sup>2</sup> (AWG, kcmil)	Wire Range mm <sup>2</sup> (AWG, kcmil)		
4□0011	R/L1, S/L2, T/L3	2.5 (14)	2.5 to 10 (14 to 8)	2.5 (14)	2.5 to 10 (14 to 8)	M5	2.3 to 2.7 (20.4 to 23.9)
	U/T1, V/T2, W/T3	2.5 (14)	2.5 to 10 (14 to 8)	2.5 (14)	2.5 to 10 (14 to 8)	M5	
	⊖	6 (10)	4 to 16 (12 to 6)	2.5 (14)	2.5 to 16 (14 to 5)	M6	3.9 to 4.9 (34.7 to 43.4)
	p1, n1	2.5 (14)	2.5 to 4 (14 to 12)	2.5 (14)	2.5 to 4 (14 to 12)	M4	1 to 1.4 (8.9 to 12.4)
4□0014	R/L1, S/L2, T/L3	4 (12)	2.5 to 10 (14 to 8)	2.5 (14)	2.5 to 10 (14 to 8)	M5	2.3 to 2.7 (20.4 to 23.9)
	U/T1, V/T2, W/T3	4 (12)	2.5 to 10 (14 to 8)	2.5 (14)	2.5 to 10 (14 to 8)	M5	
	⊖	6 (10)	4 to 16 (12 to 6)	2.5 (14)	2.5 to 16 (14 to 5)	M6	3.9 to 4.9 (34.7 to 43.4)
	p1, n1	2.5 (14)	2.5 to 4 (14 to 12)	2.5 (14)	2.5 to 4 (14 to 12)	M4	1 to 1.4 (8.9 to 12.4)
4□0021	R/L1, S/L2, T/L3	6 (10)	4 to 10 (12 to 8)	2.5 (14)	2.5 to 10 (14 to 8)	M5	2.3 to 2.7 (20.4 to 23.9)
	U/T1, V/T2, W/T3	6 (10)	4 to 10 (12 to 8)	2.5 (14)	2.5 to 10 (14 to 8)	M5	
	⊖	6 (10)	4 to 16 (12 to 6)	2.5 (14)	2.5 to 16 (14 to 5)	M6	3.9 to 4.9 (34.7 to 43.4)
	p1, n1	2.5 (14)	2.5 to 4 (14 to 12)	2.5 (14)	2.5 to 4 (14 to 12)	M4	1 to 1.4 (8.9 to 12.4)
4□0027	R/L1, S/L2, T/L3	10 (8)	6 to 10 (10 to 8)	4 (12)	2.5 to 10 (14 to 8)	M5	2.3 to 2.7 (20.4 to 23.9)
	U/T1, V/T2, W/T3	10 (8)	6 to 10 (10 to 8)	4 (12)	2.5 to 10 (14 to 8)	M5	
	⊖	10 (8)	4 to 16 (12 to 6)	4 (12)	4 to 16 (12 to 5)	M6	3.9 to 4.9 (34.7 to 43.4)
	p1, n1	2.5 (14)	2.5 to 4 (14 to 12)	2.5 (14)	2.5 to 4 (14 to 12)	M4	1 to 1.4 (8.9 to 12.4)
4□0034	R/L1, S/L2, T/L3	10 (8)	10 (8)	6 (10)	4 to 10 (12 to 8)	M5	2.3 to 2.7 (20.4 to 23.9)
	U/T1, V/T2, W/T3	10 (8)	10 (8)	6 (10)	4 to 10 (12 to 8)	M5	
	⊖	10 (8)	6 to 16 (10 to 6)	6 (10)	6 to 16 (10 to 5)	M6	3.9 to 4.9 (34.7 to 43.4)
	p1, n1	2.5 (14)	2.5 to 4 (14 to 12)	2.5 (14)	2.5 to 4 (14 to 12)	M4	1 to 1.4 (8.9 to 12.4)

### 3.8 Main Circuit Wiring

Drive Model	Terminal	For USA and Canada		For South America		Screw Size	Tightening Torque N·m (lb.in.)
		Recomm. Gauge mm <sup>2</sup> (AWG, kcmil)	Wire Range mm <sup>2</sup> (AWG, kcmil)	Recomm. Gauge mm <sup>2</sup> (AWG, kcmil)	Wire Range mm <sup>2</sup> (AWG, kcmil)		
4□0040	R/L1, S/L2, T/L3	10 (8)	10 to 25 (8 to 3)	10 (8)	6 to 25 (10 to 3)	M6	4 to 6 (35.4 to 53.1)
	U/T1, V/T2, W/T3	10 (8)	10 to 25 (8 to 3)	10 (8)	6 to 25 (10 to 3)	M6	
	⊕	10 (8)	10 to 25 (10 to 3)	10 (8)	6 to 25 (10 to 3)	M8	8.8 to 10.8 (78.1 to 95.5)
	p1, n1	2.5 (14)	2.5 to 4 (14 to 12)	2.5 (14)	2.5 to 4 (14 to 12)	M4	1 to 1.4 (8.9 to 12.4)
4□0052	R/L1, S/L2, T/L3	16 (6)	10 to 25 (8 to 3)	10 (8)	10 to 25 (8 to 3)	M6	4 to 6 (35.4 to 53.1)
	U/T1, V/T2, W/T3	16 (6)	10 to 25 (8 to 3)	10 (8)	10 to 25 (8 to 3)	M6	
	⊕	16 (6)	10 to 25 (8 to 3)	10 (8)	10 to 25 (8 to 3)	M8	8.8 to 10.8 (78.1 to 95.5)
	p1, n1	2.5 (14)	2.5 to 4 (14 to 12)	2.5 (14)	2.5 to 4 (14 to 12)	M4	1 to 1.4 (8.9 to 12.4)
4□0065	R/L1, S/L2, T/L3	25 (4)	16 to 25 (6 to 3)	16 (5)	10 to 25 (8 to 3)	M6	4 to 6 (35.4 to 53.1)
	U/T1, V/T2, W/T3	25 (4)	16 to 25 (6 to 3)	16 (5)	10 to 25 (8 to 3)	M6	
	⊕	16 (6)	16 to 25 (6 to 3)	16 (5)	16 to 25 (5 to 3)	M8	8.8 to 10.8 (78.1 to 95.5)
	p1, n1	2.5 (14)	2.5 to 4 (14 to 12)	2.5 (14)	2.5 to 4 (14 to 12)	M4	1 to 1.4 (8.9 to 12.4)
4□0077	R/L1, S/L2, T/L3	25 (3)	25 (4 to 3)	25 (3)	16 to 25 (5 to 3)	M6	4 to 6 (35.4 to 53.1)
	U/T1, V/T2, W/T3	25 (3)	25 (4 to 3)	25 (3)	16 to 25 (5 to 3)	M6	
	⊕	16 (6)	16 to 25 (6 to 3)	16 (5)	16 to 25 (5 to 3)	M8	8.8 to 10.8 (78.1 to 95.5)
	p1, n1	2.5 (14)	2.5 to 4 (14 to 12)	2.5 (14)	2.5 to 4 (14 to 12)	M4	1 to 1.4 (8.9 to 12.4)
4□0096	R/L1, S/L2, T/L3	35 (1)	10 to 50 (8 to 1/0 × 2P)	35 (1)	10 to 50 × 2P (8 to 1/0 × 2P)	M8	8 to 10 (70.8 to 88.5)
	U/T1, V/T2, W/T3	35 (1)	10 to 50 (8 to 1/0 × 2P)	35 (1)	10 to 50 × 2P (8 to 1/0 × 2P)	M8	
	⊕	25 (4)	25 to 35 (4 to 1)	25 (3)	10 to 35 (8 to 1)	M8	8.8 to 10.8 (78.1 to 95.5)
	p1, n1	2.5 (14)	2.5 to 4 (14 to 12)	2.5 (14)	2.5 to 4 (14 to 12)	M4	1.2 to 2.0 (10.6 to 17.7)
4□0124	R/L1, S/L2, T/L3	25 × 2 (4 × 2P)	16 to 50 × 2 (6 to 1/0 × 2P)	16 × 2P (5 × 2P)	10 to 50 × 2P (8 to 1/0 × 2P)	M8	8 to 10 (70.8 to 88.5)
	U/T1, V/T2, W/T3	25 × 2 (4 × 2P)	16 to 50 × 2 (6 to 1/0 × 2P)	16 × 2P (5 × 2P)	10 to 50 × 2P (8 to 1/0 × 2P)	M8	
	⊕	25 (4)	25 to 35 (4 to 1)	16 (5)	16 to 35 (5 to 1)	M8	8.8 to 10.8 (78.1 to 95.5)
	p1, n1	2.5 (14)	2.5 to 4 (14 to 12)	2.5 (14)	2.5 to 4 (14 to 12)	M4	1.2 to 2.0 (10.6 to 17.7)
4□0156	R/L1, S/L2, T/L3	25 × 2 (3 × 2P)	25 to 95 × 2 (4 to 4/0 × 2P)	25 × 2P (3 × 2P)	16 to 95 × 2P (5 to 4/0 × 2P)	M10	15 to 20 (133 to 177)
	U/T1, V/T2, W/T3	25 × 2 (3 × 2P)	25 to 95 × 2 (4 to 4/0 × 2P)	25 × 2P (3 × 2P)	16 to 95 × 2P (5 to 4/0 × 2P)	M10	
	⊕	25 (4)	25 to 70 (4 to 2/0)	25 (3)	25 to 70 (3 to 2/0)	M10	17.7 to 22.6 (156 to 200)
	p1, n1	2.5 (14)	2.5 to 4 (14 to 12)	2.5 (14)	2.5 to 4 (14 to 12)	M4	1.2 to 2.0 (10.6 to 17.7)



Drive Model	Terminal	For USA and Canada		For South America		Screw Size	Tightening Torque N·m (lb.in.)
		Recomm. Gauge mm <sup>2</sup> (AWG, kcmil)	Wire Range mm <sup>2</sup> (AWG, kcmil)	Recomm. Gauge mm <sup>2</sup> (AWG, kcmil)	Wire Range mm <sup>2</sup> (AWG, kcmil)		
4□0180	R/L1, S/L2, T/L3	35 × 2 (2 × 2P)	25 to 95 × 2 (3 to 4/0 × 2P)	25 × 2P (3 × 2P)	25 to 95 × 2P (3 to 4/0 × 2P)	M10	15 to 20 (133 to 177)
	U/T1, V/T2, W/T3	35 × 2 (2 × 2P)	25 to 95 × 2 (3 to 4/0 × 2P)	25 × 2P (3 × 2P)	25 to 95 × 2P (3 to 4/0 × 2P)	M10	
	⊕	25 (3)	25 to 70 (4 to 2/0)	25 (3)	25 to 70 (3 to 2/0)	M10	17.7 to 22.6 (156 to 200)
	p1, n1	2.5 (14)	2.5 to 4 (14 to 12)	2.5 (14)	2.5 to 4 (14 to 12)	M4	1.2 to 2.0 (10.6 to 17.7)
4□0216	R/L1, S/L2, T/L3	50 × 2 (1/0 × 2P)	35 to 95 × 2 (2 to 4/0 × 2P)	35 × 2P (1 × 2P)	25 to 95 × 2P (3 to 4/0 × 2P)	M10	15 to 20 (133 to 177)
	U/T1, V/T2, W/T3	50 × 2 (1/0 × 2P)	35 to 95 × 2 (2 to 4/0 × 2P)	35 × 2P (1 × 2P)	25 to 95 × 2P (3 to 4/0 × 2P)	M10	
	⊕	25 (3)	25 to 95 (4 to 4/0)	35 (1)	25 to 95 (3 to 4/0)	M12	31.4 to 39.2 (278 to 347)
	p1, n1	2.5 (14)	2.5 to 4 (14 to 12)	2.5 (14)	2.5 to 4 (14 to 12)	M4	1.2 to 2.0 (10.6 to 17.7)
4□0240	R/L1, S/L2, T/L3	50 × 2 (1/0 × 2P)	50 to 95 × 2 (1/0 to 4/0 × 2P)	50 × 2P (1/0 × 2P)	35 to 95 × 2P (1 to 4/0 × 2P)	M10	15 to 20 (133 to 177)
	U/T1, V/T2, W/T3	50 × 2 (1/0 × 2P)	50 to 95 × 2 (1/0 to 4/0 × 2P)	50 × 2P (1/0 × 2P)	35 to 95 × 2P (1 to 4/0 × 2P)	M10	
	⊕	35 (2)	35 to 95 (2 to 4/0)	50 (1/0)	35 to 95 (1 to 4/0)	M12	31.4 to 39.2 (278 to 347)
	p1, n1	2.5 (14)	2.5 to 4 (14 to 12)	2.5 (14)	2.5 to 4 (14 to 12)	M4	1.2 to 2.0 (10.6 to 17.7)
4□0302 </>	R/L1, S/L2, T/L3	70 × 2 (3/0 × 2P)	50 to 95 × 2 (1/0 to 4/0 × 2P)	70 × 2P (3/0 × 2P)	50 to 95 × 2P (1/0 to 4/0 × 2P)	M10	15 to 20 (133 to 177)
	U/T1, V/T2, W/T3	70 × 2 (3/0 × 2P)	50 to 95 × 2 (1/0 to 4/0 × 2P)	70 × 2P (3/0 × 2P)	50 to 95 × 2P (1/0 to 4/0 × 2P)	M10	
	⊕	35 (1)	35 to 150 (1 to 300)	70 (3/0)	35 to 150 (1 to 300)	M12	31.4 to 39.2 (278 to 347)
	p1, n1	2.5 (14)	2.5 to 4 (14 to 12)	2.5 (14)	2.5 to 4 (14 to 12)	M4	1.2 to 2.0 (10.6 to 17.7)
4□0361 </>	R/L1, S/L2, T/L3	95 × 2 (4/0 × 2P)	70 to 95 × 2 (3/0 to 4/0 × 2P)	95 × 2P (4/0 × 2P)	70 to 95 × 2P (3/0 to 4/0 × 2P)	M10	15 to 20 (133 to 177)
	U/T1, V/T2, W/T3	95 × 2 (4/0 × 2P)	70 to 95 × 2 (3/0 to 4/0 × 2P)	95 × 2P (4/0 × 2P)	70 to 95 × 2P (3/0 to 4/0 × 2P)	M10	
	⊕	50 (1/0)	50 to 150 (1/0 to 300)	95 (4/0)	70 to 150 (3/0 to 300)	M12	31.4 to 39.2 (278 to 347)
	p1, n1	2.5 (14)	2.5 to 4 (14 to 12)	2.5 (14)	2.5 to 4 (14 to 12)	M4	1.2 to 2.0 (10.6 to 17.7)
4□0414 </>	R/L1, S/L2, T/L3	150 × 2 (300 × 2P)	95 to 150 × 2 (4/0 to 300 × 2P)	95 × 2P (4/0 × 2P)	95 to 150 × 2P (4/0 to 300 × 2P)	M12	25 to 35 (221 to 310)
	U/T1, V/T2, W/T3	150 × 2 (300 × 2P)	95 to 150 × 2 (4/0 to 300 × 2P)	95 × 2P (4/0 × 2P)	95 to 150 × 2P (4/0 to 300 × 2P)	M12	
	⊕	50 (1/0)	50 to 240 (1/0 to 400)	95 (4/0)	70 to 240 (3/0 to 400)	M12	31.4 to 39.2 (278 to 347)
	p1, n1	2.5 (14)	2.5 to 4 (14 to 12)	2.5 (14)	2.5 to 4 (14 to 12)	M4	1.2 to 2.0 (10.6 to 17.7)

<1> Take additional measures in accordance with IEC/EN 61800-5-1 when wiring an EMC filter is installed. Refer to the Technical Manual for details.

### ◆ Main Circuit Terminal and Motor Wiring

This section outlines the various steps, precautions, and checkpoints for wiring the main circuit terminals and motor terminals.

**NOTICE:** When connecting the motor to the drive output terminals U/T1, V/T2, and W/T3, the phase order for the drive and motor should match. Failure to comply with proper wiring practices may cause the motor to run in reverse if the phase order is backward.

## 3.8 Main Circuit Wiring

**NOTICE:** Route motor leads U/T1, V/T2, and W/T3 separate from all other leads to reduce possible interference related issues. Failure to comply may result in abnormal operation of drive and nearby equipment.

### ■ Cable Length Between Drive and Motor

Voltage drop along the motor cable may cause reduced motor torque when the wiring between the drive and the motor is too long, especially at low frequency output. This can also be a problem when motors are connected in parallel with a fairly long motor cable. Drive output current will increase as the leakage current from the cable increases. An increase in leakage current may trigger an overcurrent situation and weaken the accuracy of the current detection.

Adjust the drive carrier frequency according to [Table 3.5](#). If the motor wiring distance exceeds 100 m because of the system configuration, reduce the ground currents. [Refer to C6-02: Carrier Frequency Selection on page 203](#).

**Table 3.5 Cable Length Between Drive and Motor**

Cable Length	50 m or less	Greater than 50 m
Carrier Frequency	10 kHz or less	4 kHz or less

- Note:**
1. When setting carrier frequency for drives running multiple motors, calculate cable length as the total wiring distance to all connected motors.
  2. The maximum cable length when using OLV/PM (A1-02 = 5) or AOLV/PM (A1-02 = 6) is 100 m.

### ■ Ground Wiring

Follow the precautions below when wiring the ground for one drive or a series of drives.

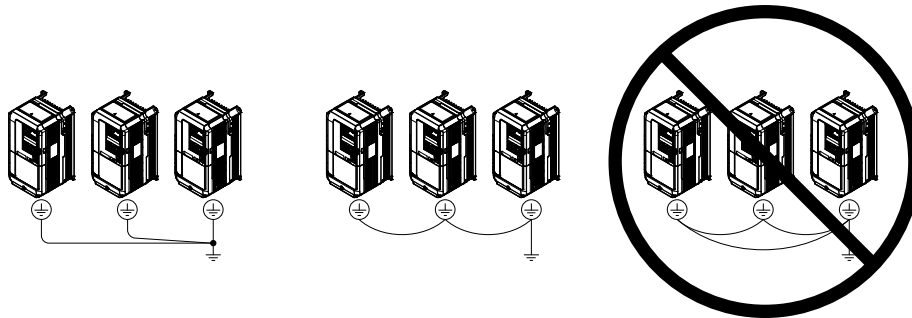
**WARNING! Electrical Shock Hazard.** Always use a ground wire that complies with technical standards on electrical equipment and minimize the length of the ground wire. Improper equipment grounding may cause dangerous electrical potentials on equipment chassis, which could result in death or serious injury.

**WARNING! Electrical Shock Hazard.** Be sure to ground the drive ground terminal (200 V class: ground to 100  $\Omega$  or less; 400 V class: ground to 10  $\Omega$  or less). Improper equipment grounding could result in death or serious injury by contacting ungrounded electrical equipment.

**NOTICE:** Do not share the ground wire with other devices such as welding machines or large-current electrical equipment. Improper equipment grounding could result in drive or equipment malfunction due to electrical interference.

**NOTICE:** When using more than one drive, ground multiple drives according to instructions. Improper equipment grounding could result in abnormal operation of drive or equipment.

Refer to [Figure 3.25](#) when using multiple drives. Do not loop the ground wire.



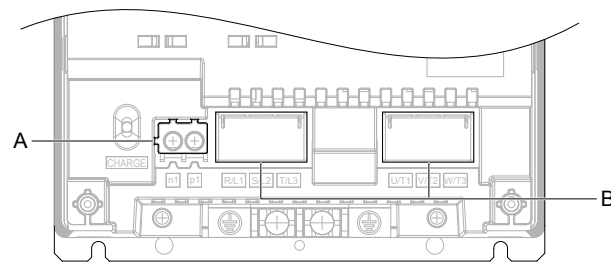
**Figure 3.25 Multiple Drive Wiring**

### ■ Wiring the Main Circuit Terminal

**WARNING! Electrical Shock Hazard.** Shut off the power supply to the drive before wiring the main circuit terminals. Failure to comply may result in death or serious injury.

Wire the main circuit terminals after the terminal board has been properly grounded.

Models 2□0028 to 2□0081 and 4□0011 to 4□0077 have a cover placed over terminals p1 and n1 prior to shipment to help prevent miswiring. Use wire cutters to cut away covers as needed for terminals.



**A – Protective cover for terminals p1 and n1**

**B – Main circuit protective cover**

**Figure 3.26 Protective Cover to Prevent Miswiring**

### ■ Main Circuit Connection Diagram

*Refer to Main Circuit Connection Diagram on page 69* when wiring terminals on the main power circuit of the drive.

## 3.9 Control Circuit Wiring

### ◆ Control Circuit Connection Diagram

Refer to [Figure 3.1](#) on page 67 when wiring terminals on the drive control circuit.

### ◆ Control Circuit Terminal Block Functions

Drive parameters determine which functions apply to the multi-function digital inputs (S1 to S8), multi-function digital outputs (M1 to M6), multi-function analog inputs (A1 to A3), and multi-function analog monitor outputs (FM, AM). The default setting is listed next to each terminal in [Figure 3.1](#) on page 67.

**WARNING!** *Sudden Movement Hazard. Always check the operation and wiring of control circuits after being wired. Operating a drive with untested control circuits could result in death or serious injury.*

**WARNING!** *Sudden Movement Hazard. Confirm the drive I/O signals and external sequence before starting test run. Setting parameter A1-06 may change the I/O terminal function automatically from the factory setting. Refer to [Application Selection on page 127](#). Failure to comply may result in death or serious injury.*

### ■ Input Terminals

[Table 3.6](#) lists the input terminals on the drive. Text in parenthesis indicates the default setting for each multi-function input.

**Table 3.6 Control Circuit Input Terminals**

Type	No.	Terminal Name (Function)	Function (Signal Level) Default Setting	Page
Multi-Function Digital Inputs	S1	Multi-function input 1 (Closed: Forward run, Open: Stop)	<ul style="list-style-type: none"> <li>• Photocoupler</li> <li>• 24 Vdc, 8 mA</li> <li>• <a href="#">Refer to Sinking/Sourcing Mode for Digital Inputs on page 94.</a></li> </ul>	246
	S2	Multi-function input 2 (Closed: Reverse run, Open: Stop)		
	S3	Multi-function input 3 (External fault, N.O.)		
	S4	Multi-function input 4 (Fault reset)		
	S5	Multi-function input 5 (Multi-step speed reference 1)		
	S6	Multi-function input 6 (Multi-step speed reference 2)		
	S7	Multi-function input 7 (Jog reference)		
	S8	Multi-function input 8 (Baseblock command (N.O.))		
	SC	Multi-function input common	Multi-function input common	
	SP	Digital input power supply +24 Vdc	24 Vdc power supply for digital inputs, 150 mA max (only when not using digital input option DI-A3)	94
	SN	Digital input power supply 0 V	<b>NOTICE:</b> Do not jumper or short terminals SP and SN. Failure to comply will damage the drive.	94
Safe Disable Inputs	H1	Safe Disable input 1	<ul style="list-style-type: none"> <li>• 24 Vdc, 8 mA</li> <li>• One or both open: Output disabled</li> <li>• Both closed: Normal operation</li> <li>• Internal impedance: 3.3 kΩ</li> <li>• Off time of at least 1 ms</li> <li>• Disconnect the wire jumpers shorting terminals H1, H2, and HC to use the Safe Disable inputs. Set the S3 jumper to select between sinking, sourcing mode, and the power supply as explained on page 94.</li> </ul>	610
	H2	Safe Disable input 2		
	HC	Safe Disable function common		

Type	No.	Terminal Name (Function)	Function (Signal Level) Default Setting	Page
Analog Inputs / Pulse Train Input	RP	Multi-function pulse train input (Frequency reference)	<ul style="list-style-type: none"> <li>Input frequency range: 0 to 32 kHz</li> <li>Signal Duty Cycle: 30 to 70%</li> <li>High level: 3.5 to 13.2 Vdc, low level: 0.0 to 0.8 Vdc</li> <li>Input impedance: 3 kΩ</li> </ul>	<a href="#">159</a> <a href="#">274</a>
	+V	Power supply for analog inputs	10.5 Vdc (max allowable current 20 mA)	<a href="#">158</a>
	-V	Power supply for analog inputs	-10.5 Vdc (max allowable current 20 mA)	–
	A1	Multi-function analog input 1 (Frequency reference bias)	-10 to 10 Vdc, 0 to 10 Vdc (input impedance: 20 kΩ)	<a href="#">158</a> <a href="#">267</a>
	A2	Multi-function analog input 2 (Frequency reference bias)	<ul style="list-style-type: none"> <li>-10 to 10 Vdc, 0 to 10 Vdc (input impedance: 20 kΩ)</li> <li>4 to 20 mA, 0 to 20 mA (input impedance: 250 Ω)</li> <li>Voltage or current input must be selected by DIP switch S1 and H3-09.</li> </ul>	<a href="#">158</a> <a href="#">269</a>
	A3	Multi-function analog input 3 (Auxiliary frequency reference)/PTC Input	<ul style="list-style-type: none"> <li>-10 to 10 Vdc, 0 to 10 Vdc (input impedance: 20 kΩ)</li> <li>Use DIP switch S4 on the terminal board to select between analog and PTC input.</li> </ul>	<a href="#">158</a>
	AC	Frequency reference common	0 V	<a href="#">158</a>
E (G)	Ground for shielded lines and option cards	–	–	

## Output Terminals

[Table 3.7](#) lists the output terminals on the drive. Text in parenthesis indicates the default setting for each multi-function output.

**Table 3.7 Control Circuit Output Terminals**

Type	No.	Terminal Name (Function)	Function (Signal Level) Default Setting	Page
Fault Relay Output	MA	N.O. output (Fault)	30 Vdc, 10 mA to 1 A; 250 Vac, 10 mA to 1 A Minimum load: 5 Vdc, 10 mA	<a href="#">256</a>
	MB	N.C. output (Fault)		
	MC	Fault output common		
Multi-Function Digital Output <I>	M1	Multi-function digital output (During run)	30 Vdc, 10 mA to 1 A; 250 Vac, 10 mA to 1 A Minimum load: 5 Vdc, 10 mA	<a href="#">256</a>
	M2			
	M3	Multi-function digital output (Zero speed)		
	M4			
	M5	Multi-function digital output (Speed Agree 1)		
M6				
Monitor Output	MP	Pulse train output (Output frequency)	32 kHz (max)	<a href="#">274</a>
	FM	Analog monitor output 1 (Output frequency)	-10 to +10 Vdc, 0 to +10 Vdc, or 4 to 20 mA. <i>Refer to Terminal AM/FM Signal Selection on page 97</i> for details.	<a href="#">272</a>
	AM	Analog monitor output 2 (Output current)		
	AC	Monitor common	0 V	–
Safety Monitor Output	DM+	Safety monitor output	Outputs status of Safe Disable function. Closed when both Safe Disable channels are closed. Up to +48 Vdc 50 mA	<a href="#">612</a>
	DM-	Safety monitor output		

<I> Refrain from assigning functions to digital relay outputs that involve frequent switching, as doing so may shorten relay performance life. Switching life is estimated at 200,000 times (assumes 1 A, resistive load).

## Serial Communication Terminals

**Table 3.8 Control Circuit Terminals: Serial Communications**

Type	No.	Signal Name	Function (Signal Level)
MEMOBUS/Modbus Communication <I>	R+	Communications input (+)	MEMOBUS/Modbus communication: Use an RS-422 or RS-485 cable to connect the drive. RS-422/RS-485 communication protocol 115.2 kbps (max.)
	R-	Communications input (-)	
	S+	Communications output (+)	
	S-	Communications output (-)	
	IG	Shield ground	

<I> Enable the termination resistor in the last drive in a MEMOBUS/Modbus network by setting DIP switch S2 to the ON position. Refer to the manual section on *Control I/O Connections* for more information.

#### ◆ Terminal Configuration

The control circuit terminals are arranged as shown in [Figure 3.27](#).

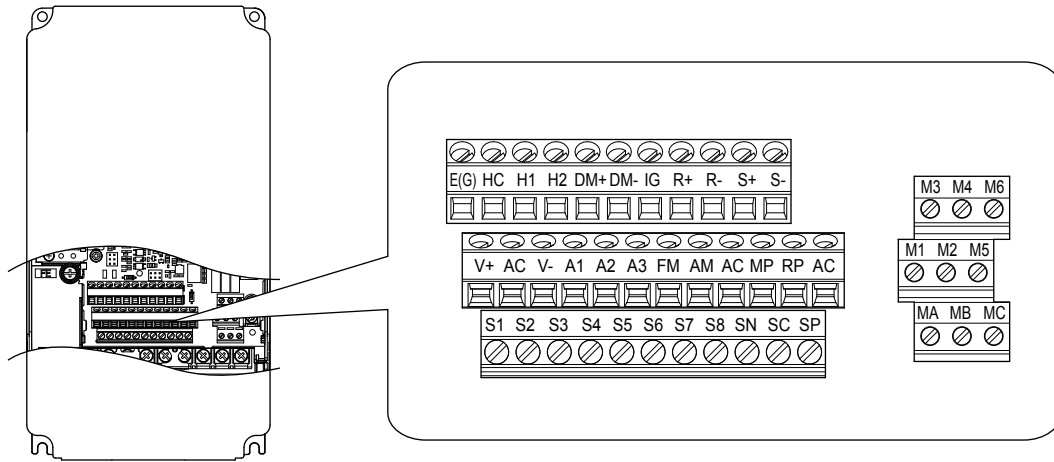


Figure 3.27 Control Circuit Terminal Arrangement

#### ■ Wire Size and Torque Specifications

Select appropriate wire type and gauges from [Table 3.9](#). For simpler and more reliable wiring, use crimp ferrules on the wire ends. Refer to [Table 3.10](#) for ferrule terminal types and sizes.

Table 3.9 Wire Gauges

Terminal	Screw Size	Tightening Torque N·m (lb. in)	Bare Wire Terminal		Ferrule-Type Terminal		Wire Type
			Recomm. wire size mm <sup>2</sup> (AWG)	Applicable wire size mm <sup>2</sup> (AWG)	Recomm. wire size mm <sup>2</sup> (AWG)	Applicable wire size mm <sup>2</sup> (AWG)	
S1-S8, SC, SN, SP	M3	0.5 to 0.6 (4.4 to 5.3)	0.75 (18)	Stranded wire: 0.2 to 1.0 (24 to 16) Solid wire: 0.2 to 1.5 (24 to 16)	0.5 (20)	0.25 to 0.5 (24 to 20)	Shielded wire, etc.
H1, H2, HC							
RP, V+, V-, A1, A2, A3, AC, 24 V							
MA, MB, MC							
M1-M6							
MP, FM, AM, AC							
DM+, DM-							
R+, R-, S+, S-, IG							

#### ■ Ferrule-Type Wire Terminals

Yaskawa recommends using CRIMPFOX 6, a crimping tool manufactured by PHOENIX CONTACT, to prepare wire ends with insulated sleeves before connecting to the drive. See [Table 3.10](#) for dimensions.

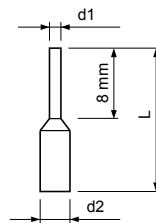


Figure 3.28 Ferrule Dimensions

Table 3.10 Ferrule Terminal Types and Sizes

Size mm <sup>2</sup> (AWG)	Type	L (mm)	d1 (mm)	d2 (mm)	Manufacturer
0.25 (24)	AI 0.25-8YE	12.5	0.8	1.8	PHOENIX CONTACT
0.34 (22)	AI 0.34-8TQ	10.5	0.8	1.8	
0.5 (20)	AI 0.5-8WH or AI 0.5-8OG	14	1.1	2.5	

### ◆ Wiring the Control Circuit Terminal

This section describes the proper procedures and preparations for wiring the control terminals.

**WARNING!** *Electrical Shock Hazard. Do not remove covers or touch the circuit boards while the power is on. Failure to comply could result in death or serious injury.*

**NOTICE:** *Separate control circuit wiring from main circuit wiring (terminals R/L1, S/L2, T/L3, U/T1, V/T2, W/T3, p1, n1) and other high-power lines. Improper wiring practices could result in drive malfunction due to electrical interference.*

**NOTICE:** *Separate wiring for digital output terminals MA, MB, MC, and M1 to M6 from wiring to other control circuit lines. Improper wiring practices could result in drive or equipment malfunction or nuisance trips.*

**NOTICE:** *Use a class 2 power supply when connecting to the control terminals. Improper application of peripheral devices could result in drive performance degradation due to improper power supply. Refer to NEC Article 725 Class 1, Class 2, and Class 3 Remote-Control, Signaling, and Power Limited Circuits for requirements concerning class 2 power supplies.*

**NOTICE:** *Insulate shields with tape or shrink tubing to prevent contact with other signal lines and equipment. Improper wiring practices could result in drive or equipment malfunction due to short circuit.*

**NOTICE:** *Connect the shield of shielded cable to the appropriate ground terminal. Improper equipment grounding could result in drive or equipment malfunction or nuisance trips.*

**NOTICE:** *Do not tighten screws beyond the specified tightening torque. Failure to comply may result in erroneous operation, damage to the terminal block, or cause a fire.*

**NOTICE:** *Use shielded twisted-pair cables as indicated to prevent operating faults. Improper wiring practices could result in drive or equipment malfunction due to electrical interference.*

Wire the control circuit only after terminals have been properly grounded and main circuit wiring is complete. *Refer to Terminal Board Wiring Guide on page 91 for details. Prepare the ends of the control circuit wiring as shown in Figure 3.31. Refer to Wire Gauges on page 90.*

Connect control wires as shown in Figure 3.29 and Figure 3.30.

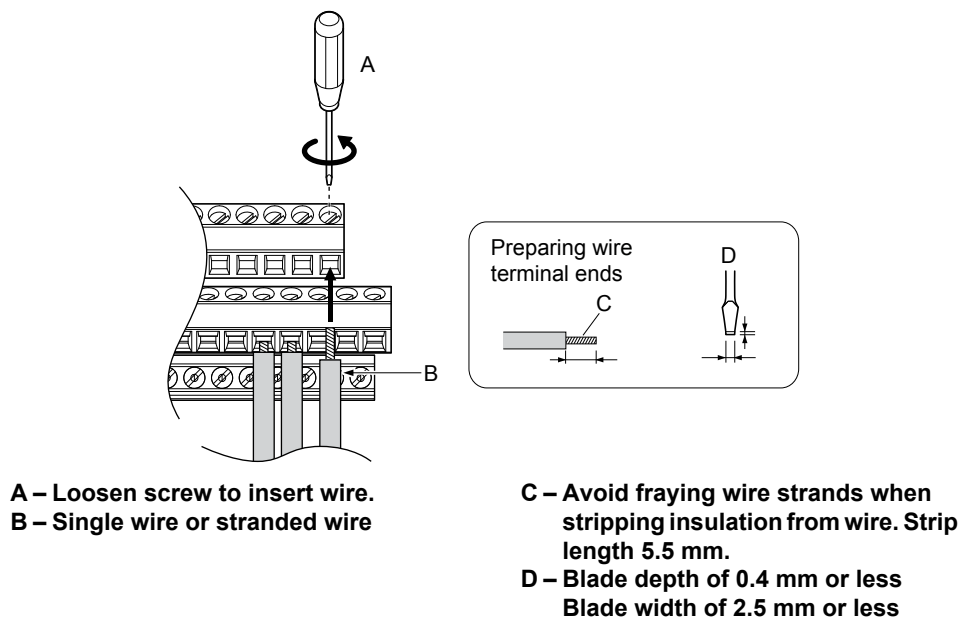


Figure 3.29 Terminal Board Wiring Guide

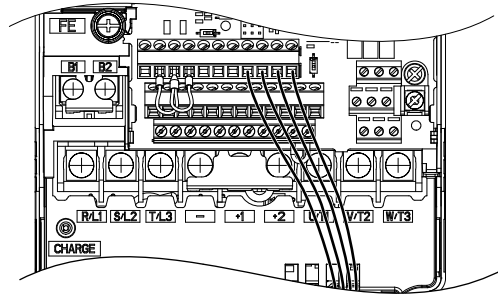
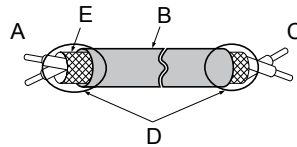


Figure 3.30 Terminal Board Location Inside the Drive

When setting the frequency by analog reference from an external potentiometer, use shielded twisted-pair wires (preparing wire ends as shown in [Figure 3.31](#)) and connect the shield to the ground terminal of the drive.



A – Drive side  
B – Insulation  
C – Control device side

D – Shield sheath (insulate with tape)  
E – Shield

Figure 3.31 Preparing the Ends of Shielded Cables

**NOTICE:** The analog signal wiring between the drive and the operator station or peripheral equipment should not exceed 50 meters when using an analog signal from a remote source to supply the frequency reference. Failure to comply could result in poor system performance.

### ◆ Switches and Jumpers on the Terminal Board

The terminal board is equipped with several switches used to adapt the drive I/Os to the external control signals. [Figure 3.32](#) shows the location of these switches. [Refer to Control I/O Connections on page 94](#) for setting instructions.



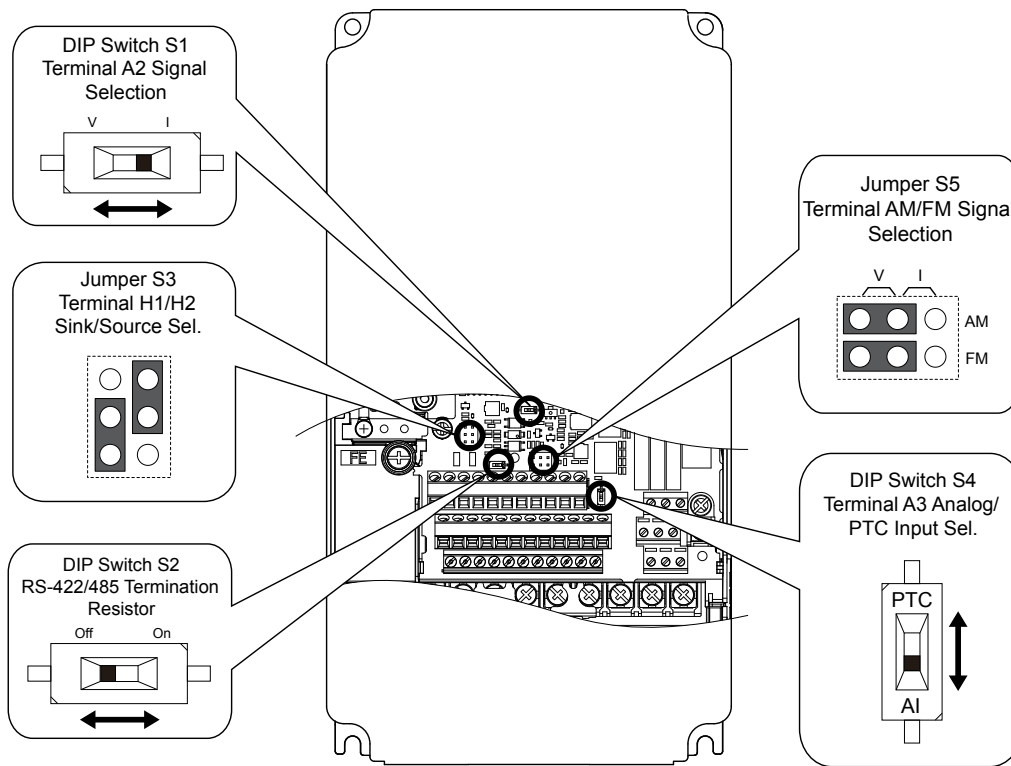


Figure 3.32 Locations of Jumpers and Switches on the Terminal Board

## 3.10 Control I/O Connections

### ◆ Sinking/Sourcing Mode for Digital Inputs

Use the wire jumper between terminals SC and SP or SC and SN to select between Sink mode, Source mode or external power supply for the digital inputs S1 to S8 as shown in [Table 3.11](#) (Default: Sink mode, internal power supply).

**NOTICE:** Do not short terminals SP and SN. Failure to comply will damage the drive.

**Table 3.11 Digital Input Sink/Source/External Power Supply Selection**

Mode	Drive Internal Power Supply (Terminals SN and SP)	External 24 Vdc Power Supply
Sinking Mode (NPN)		
Sourcing Mode (PNP)		

### ◆ Sinking/Sourcing Mode Selection for Safe Disable Inputs

Use jumper S3 on the terminal board to select between Sink mode, Source mode or external power supply for the Safe Disable inputs H1 and H2 as shown in [Table 3.11](#) (Default: Source mode, internal power supply). *Refer to Switches and Jumpers on the Terminal Board on page 92* for locating jumper S3.

**Table 3.12 Safe Disable Input Sink/Source/External Power Supply Selection**

Mode	Drive Internal Power Supply	External 24 Vdc Power Supply
Sinking Mode		
Sourcing Mode		

### ◆ Using the Pulse Train Output

The pulse train output terminal MP can supply power or be used with an external power supply.

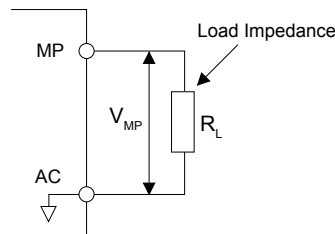
**NOTICE:** Connect peripheral devices in accordance with the specifications. Failure to comply may cause unexpected drive operation, and can damage the drive or connected circuits.

#### ■ Using Power from the Pulse Output Terminal (Source Mode)

The high voltage level of the pulse output terminal depends on the load impedance.

Load Impedance $R_L$ (k $\Omega$ )	Output Voltage $V_{MP}$ (V) (insulated)
1.5 k $\Omega$	5 V
4 k $\Omega$	8 V
10 k $\Omega$	10 V

**Note:** The load resistance needed in order to get a certain high level voltage  $V_{MP}$  can be calculated by:  $R_L = V_{MP} \cdot 2 / (12 - V_{MP})$



**Figure 3.33 Pulse Output Connection Using Internal Voltage Supply**

### 3.10 Control I/O Connections

#### ■ Using External Power Supply (Sink Mode)

The high voltage level of the pulse output signal depends on the external voltage applied. The voltage must be between 12 and 15 Vdc. The load resistance must be adjusted so that the current is lower than 16 mA.

External Power Supply (V)	Load Impedance (kΩ)
12 to 15 Vdc ±10%	1.0 kΩ or higher

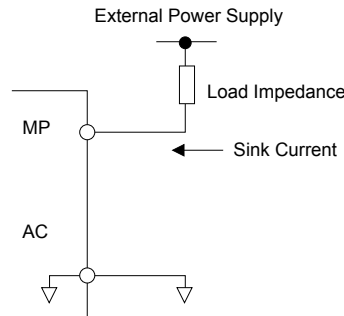


Figure 3.34 Pulse Output Connection Using External Voltage Supply

#### ◆ Terminal A2 Input Signal Selection

Terminal A2 can be used to input either a voltage or a current signal. Select the signal type using switch S1 as explained in [Table 3.13](#). Set parameter H3-09 accordingly as shown in [Table 3.14](#). Refer to [Switches and Jumpers on the Terminal Board on page 92](#) for locating switch S1.

**Note:** If terminals A1 and A2 are both set for frequency bias (H3-02 = 0 and H3-10 = 0), both input values will be combined to create the frequency reference.

Table 3.13 DIP Switch S1 Settings

Setting	Description
V (left position)	Voltage input (-10 to +10 V or 0 to 10 V)
I (right position)	Current input (4 to 20 mA or 0 to 20 mA): default setting

Table 3.14 Parameter H3-09 Details

No.	Parameter Name	Description	Setting Range	Default Setting
H3-09	Terminal A2 signal level selection	Selects the signal level for terminal A2. 0: 0 to 10 Vdc 1: -10 to 10 Vdc 2: 4 to 20 mA 3: 0 to 20 mA	0 to 3	2

#### ◆ Terminal A3 Analog/PTC Input Selection

Terminal A3 can be configured either as multi-function analog input or as PTC input for motor thermal overload protection. Use switch S4 to select the input function as described in [Table 3.15](#). Refer to [Switches and Jumpers on the Terminal Board on page 92](#) for locating switch S4.

Table 3.15 DIP Switch S4 Settings

Setting	Description
AI (lower position) (default)	Analog input for the function selected in parameter H3-06
PTC (upper position)	PTC input. Parameter H3-06 must be set to E (PTC input)

### ◆ Terminal AM/FM Signal Selection

The signal type for terminals AM and FM can be set to either voltage or current output using jumper S5 on the terminal board as explained in [Table 3.16](#). When changing the setting of jumper S5, parameters H4-07 and H4-08 must be set accordingly. The default selection is voltage output for both terminals. [Refer to Switches and Jumpers on the Terminal Board on page 92](#) for locating jumper S5.

Table 3.16 Jumper S5 Settings

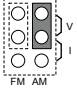
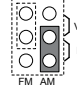
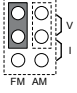
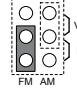
Terminal	Voltage Output	Current Output
Terminal AM		
Terminal FM		

Table 3.17 Parameter H4-07 and H4-08 Details

No.	Parameter Name	Description	Setting Range	Default Setting
H4-07	Terminal AM signal level selection	0: 0 to 10 Vdc 1: -10 to 10 Vdc	0 to 2	0
H4-08	Terminal FM signal level selection	2: 4 to 20 mA		

### ◆ MEMOBUS/Modbus Termination

This drive is equipped with a built-in termination resistor for the RS-422/RS-485 communication port. DIP switch S2 enables or disabled the termination resistor as shown in [Table 3.18](#). The OFF position is the default. The termination resistor should be placed to the ON position when the drive is the last in a series of slave drives.

[Refer to Switches and Jumpers on the Terminal Board on page 92](#) to locate switch S2.

Table 3.18 MEMOBUS/Modbus Switch Settings

S2 Position	Description
ON	Internal termination resistor ON
OFF	Internal termination resistor OFF (default setting)

Note: [Refer to MEMOBUS/Modbus Communications on page 559](#) for details on MEMOBUS/Modbus.

### ◆ Terminal DM+ and DM- Output Signal Selection

Slide switch S6 selects N.C. or N.O. as the state of the DM+ and DM- terminals for EDM output.

Table 3.19 EDM Switch Settings

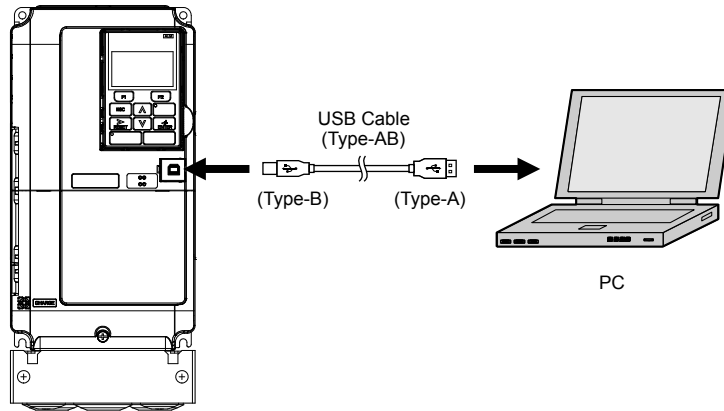
S2 Position	Description
N.O.	Normally open
N.C.	Normally closed (default setting)

Note: [Refer to Safe Disable Input Function on page 610](#) for details on EDM.

## 3.11 Connect to a PC

This drive is equipped with a USB port (type-B).

The drive can connect to a USB port on a PC using a USB 2.0, AB-type cable (sold separately). After connecting the drive to a PC, Yaskawa DriveWizard Industrial software can be used to monitor drive performance and manage parameter settings. Contact Yaskawa for more information on DriveWizard Industrial.



**Figure 3.35 Connecting to a PC (USB)**

## 3.12 EMC Filter

### ◆ Enable the Internal EMC Filter

**DANGER!** *Electrical Shock Hazard. Do not touch SW screw while power is applied to the drive. Failure to comply will result in death or serious injury.*

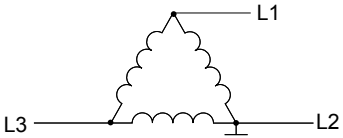
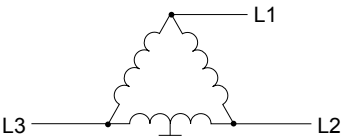
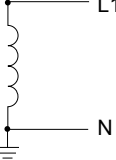
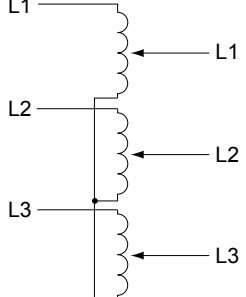
**WARNING!** *Electrical Shock Hazard. Connect the ground cable correctly. Failure to comply may result in death or serious injury.*

**NOTICE:** *When disabling the internal EMC filter, move the screws from ON to OFF and then tighten to the specified torque. Completely removing the screws or tightening the screws to an incorrect torque may cause drive failure.*

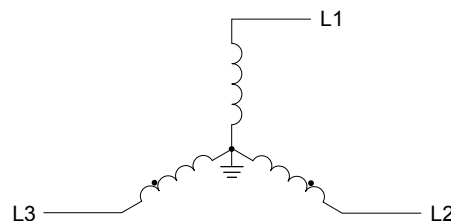
**Note:** For floating, impedance grounded, or asymmetrically grounded networks, disconnect the internal EMC filter by moving the SW screw to the OFF position.

**Table 3.20** shows asymmetrical grounded networks. Asymmetrical networks require first moving the SW screw to disconnect the internal ground connection. (Drives are shipped with the SW screw installed at the OFF position.)

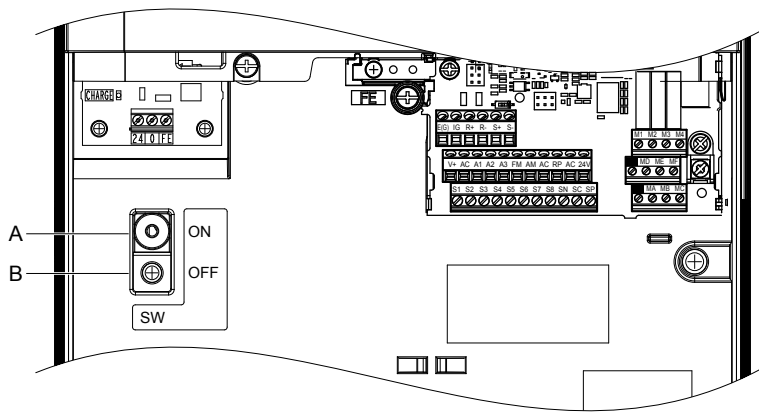
**Table 3.20 Asymmetrical Grounded Network**

<p><b>Grounded at the corner of the delta</b></p>	
<p><b>Grounded at the middle of the side</b></p>	
<p><b>Single-phase, grounded at the end point</b></p>	
<p><b>Three-phase variable transformer without solidly grounded neutral</b></p>	

If EMC is a concern and the network is grounded symmetrically, install the SW screw to the ON position. Installing the SW screw enables the internal EMC filter (Drives are shipped with the SW screw installed at the OFF position).



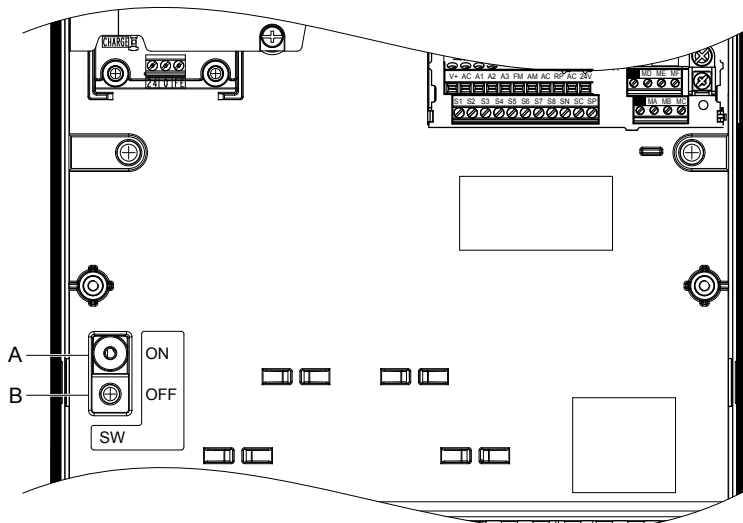
**Figure 3.36 Symmetrical Grounded Network**



A – SW (ON)

B – Screw (OFF)

**Figure 3.37 EMC Filter Switch Location**  
 (Models 2E0028, 2W0028, 4E0011 to 4E0034, and 4W0011 to 4W0034)

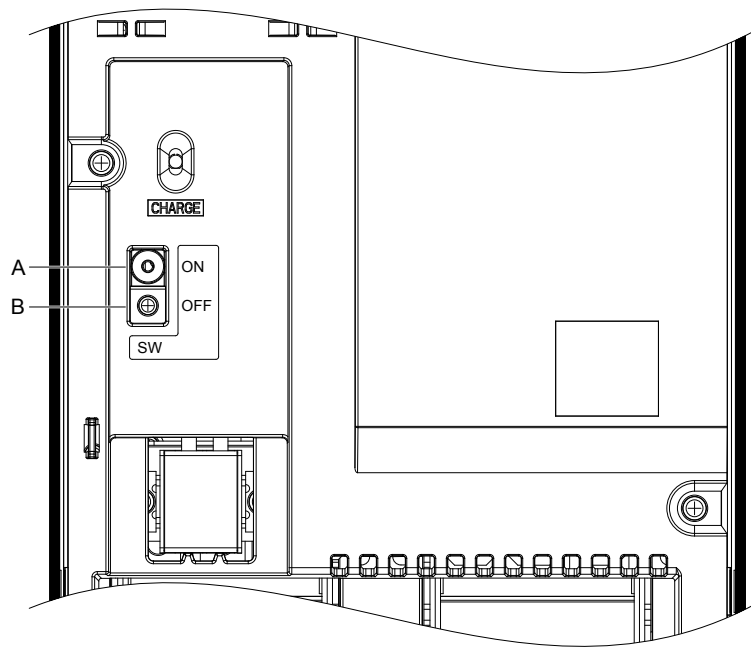


A – SW (ON)

B – Screw (OFF)

**Figure 3.38 EMC Filter Switch Location**  
 (Models 2E0042, 2W0042, 2E0054, 2W0054, 4E0040 to 4E0077, and 4W0040 to 4W0077)

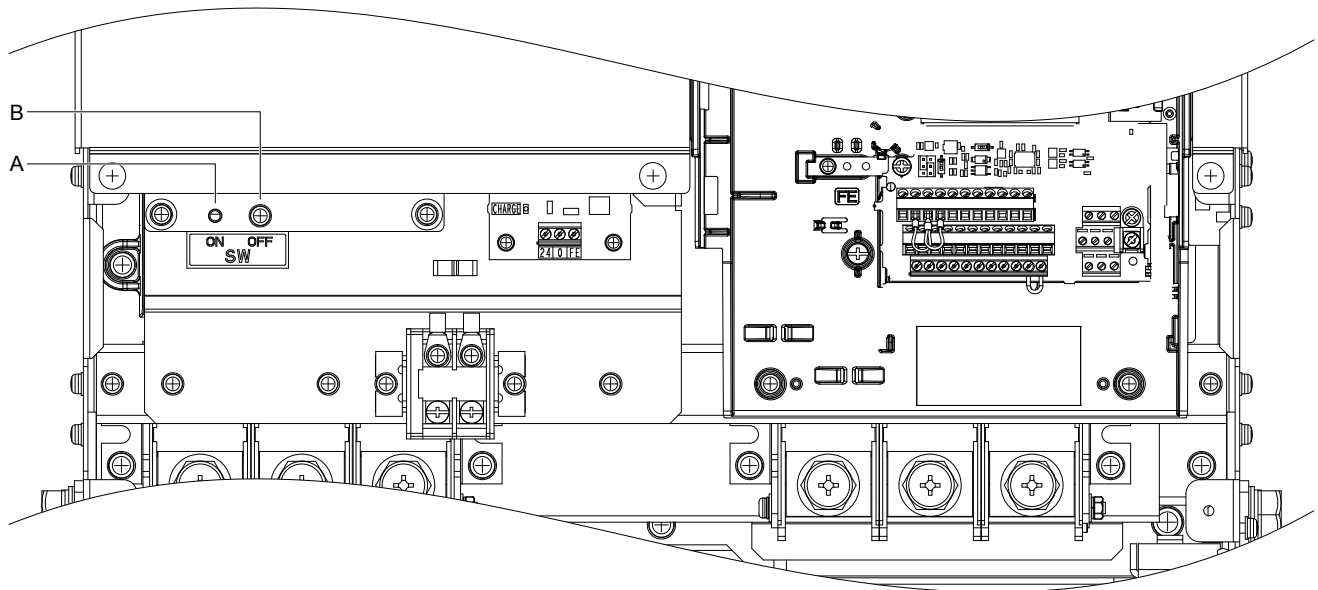




A – SW (ON)

B – Screw (OFF)

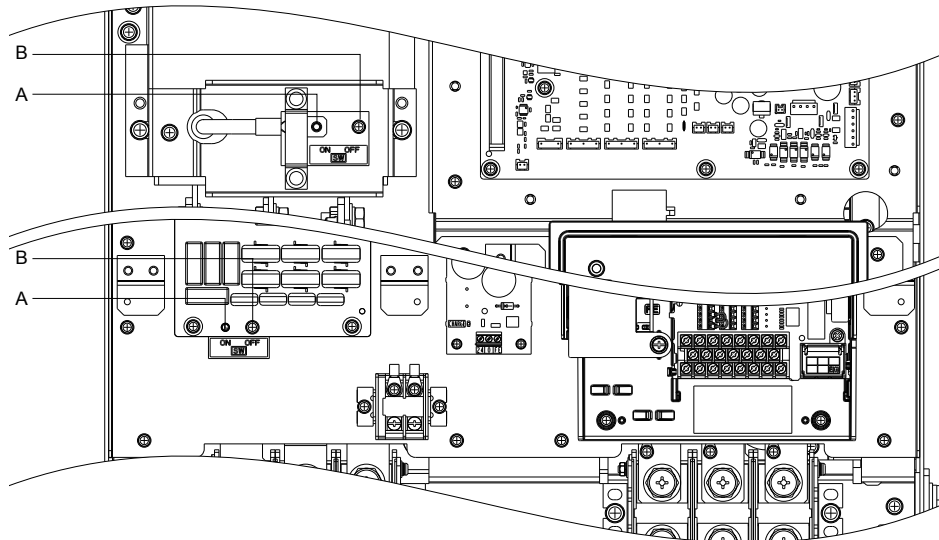
**Figure 3.39 EMC Filter Switch Location**  
(Models 2E0104, 2W0104, 2E0130, 2W0130, 4E0096, 4W0096, 4E0124, and 4W0124)



A – SW (ON)

B – Screw (OFF)

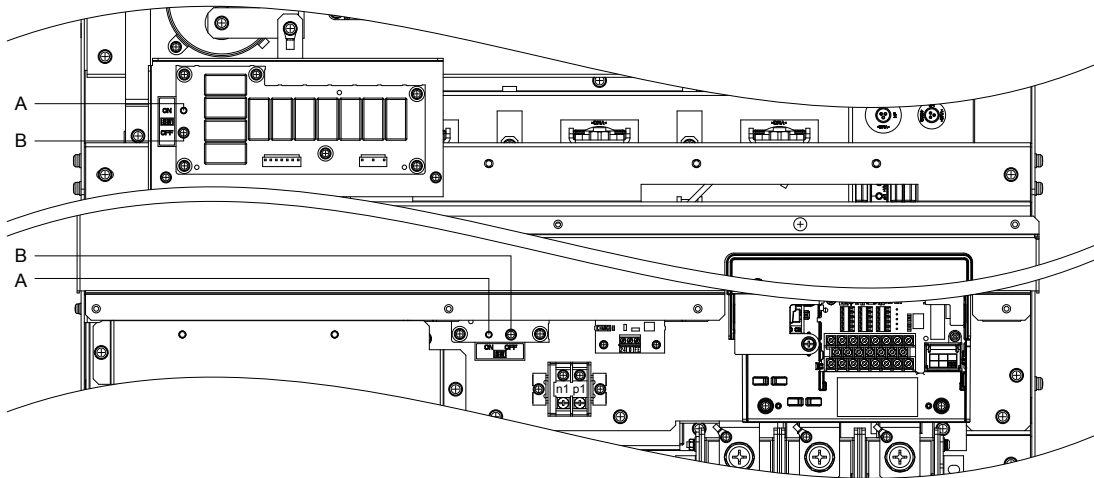
**Figure 3.40 EMC Filter Switch Location**  
(Models 2E0154, 2W0154, 2E0192, 2W0192, 4E0156, 4W0156, 4E0180, and 4W0180)



A – SW (ON)

B – Screw (OFF)

Figure 3.41 EMC Filter Switch Location  
(Models 2E0248, 2W0248, 4EU0216, 4W0216, 4E0240, and 4W0240)



A – SW (ON)

B – Screw (OFF)

Figure 3.42 EMC Filter Switch Location  
(Models 4E0302 to 4E0414 and 4W0302 to 4W0414)

## 3.13 External Interlock

Systems that may be affected during drive fault conditions should be interlocked with the drive fault output and ready signal.

### ◆ Operation Ready

When the “Operation ready” signal has been set to one of the multi-function contact outputs, that output closes when the drive is ready to accept a Run command or when the drive is already running. Under the following conditions the Operation ready signal will switch off and remain off, even if a Run command is entered:

- when the power supply is shut off
- during a fault
- when there is problem with the control power supply
- when a parameter setting error renders the drive unable to run even when entering a Run command
- when a fault such as overvoltage or undervoltage is triggered as soon as the Run command is entered
- when the drive is in the Programming mode and will not accept a Run command.

### ■ Interlock Circuit Example

Two drives running a single application might interlock with the controller using the Operation ready and Fault output signals as shown below. *Figure 3.43* illustrates how the application would not be able to run if either drive experiences a fault or is unable to supply an Operation ready signal.

Terminal	Output Signal	Parameter Setting
MA, MB, MC	Fault	—
M1-M2	Operation Ready	H2-01 = 06

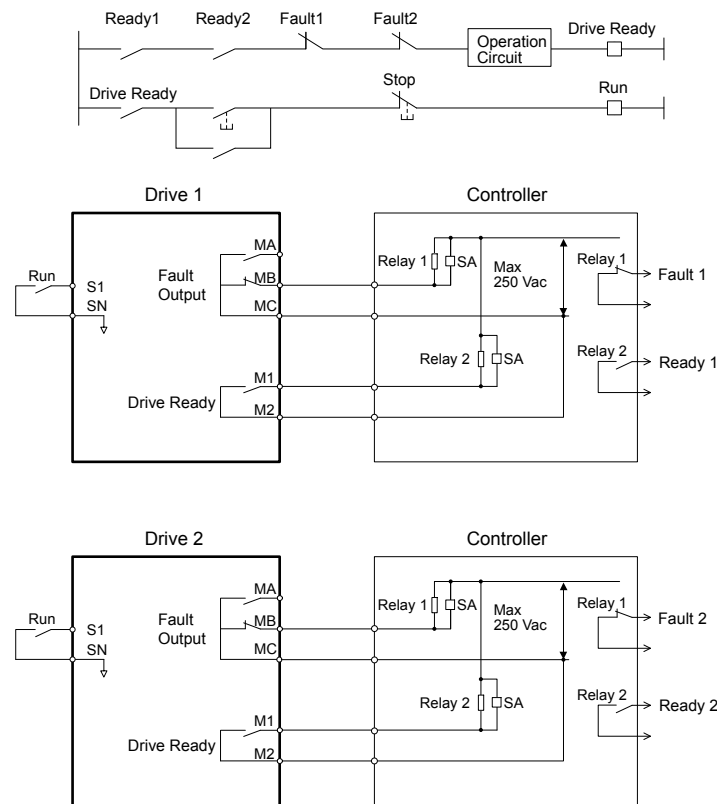


Figure 3.43 Interlock Circuit Example

## 3.14 Wiring Checklist

<input checked="" type="checkbox"/>	No.	Item	Page(s)
<b>Drive, Peripherals, Option Cards</b>			
<input type="checkbox"/>	1	Check drive model number to ensure receipt of correct model.	34
<input type="checkbox"/>	2	Make sure you have the correct peripheral devices.	412
<input type="checkbox"/>	3	Check the option card model number.	412
<b>Installation Area and Physical Setup</b>			
<input type="checkbox"/>	4	Ensure that the area surrounding the drive complies with specifications.	50
<b>Power Supply Voltage, Output Voltage</b>			
<input type="checkbox"/>	5	The voltage from the power supply should be within the input voltage specification range of the drive.	–
<input type="checkbox"/>	6	The voltage rating for the motor should match the drive output specifications.	34
<input type="checkbox"/>	7	Verify that the drive is properly sized to run the motor.	515
<b>Main Circuit Wiring</b>			
<input type="checkbox"/>	8	Confirm proper branch circuit protection as specified by national and local codes.	66
<input type="checkbox"/>	9	Properly wire the power supply to drive terminals R/L1, S/L2, and T/L3.	69
<input type="checkbox"/>	10	Properly wire the drive and motor together. The motor lines and drive output terminals U/T1, V/T2, and W/T3 should match in order to produce the desired phase order. If the phase order is incorrect, the drive will rotate in the opposite direction.	85
<input type="checkbox"/>	11	Use 600 Vac vinyl-sheathed wire for the power supply and motor lines.	81
<input type="checkbox"/>	12	Use the correct wire gauges for the main circuit. <i>Refer to Main Circuit Wire Gauges and Tightening Torque on page 81.</i> <ul style="list-style-type: none"> <li>Consider the amount of voltage drop when selecting wire gauges. Increase the wire gauge when the voltage drop is greater than 2% of motor rated voltage. Ensure the wire gauge is suitable for the terminal block. Use the following formula to calculate the amount of voltage drop: Line drop voltage (V) = <math>\sqrt{3} \times \text{wire resistance } (\Omega/\text{km}) \times \text{wire length (m)} \times \text{current (A)} \times 10^{-3}</math></li> <li>If the cable between the drive and motor exceeds 50 m, adjust the carrier frequency set to C6-02 accordingly.</li> </ul>	81 86
<input type="checkbox"/>	13	Properly ground the drive.	86
<input type="checkbox"/>	14	Tighten control circuit and grounding terminal screws.	81
<input type="checkbox"/>	15	Set up overload protection circuits when running multiple motors from a single drive. <div style="text-align: center;"> <p>MC1 - MCn ... magnetic contactor OL 1 - OL n ... thermal relay</p> </div> <p><b>Note:</b> Close MC1 – MCn before operating the drive. MC1 – MCn cannot be switched off during run.</p>	–
<input type="checkbox"/>	16	Verify that ground wiring for models UU□E□□□□ and UU□W□□□□ is correct before turning on the EMC filter switch.	–
<input type="checkbox"/>	17	Verify phase advancing capacitors, input noise filters, or GFCIs are NOT installed on the output side of the drive.	–
<b>Control Circuit Wiring</b>			
<input type="checkbox"/>	18	Use twisted-pair line for all drive control circuit wiring.	91
<input type="checkbox"/>	19	Ground the shields of shielded wiring to the GND ⊕ terminal.	91
<input type="checkbox"/>	20	For 3-Wire sequence, set parameters for multi-function contact input terminals S1 – S8, and wire control circuits.	–
<input type="checkbox"/>	21	Properly wire any option cards.	91
<input type="checkbox"/>	22	Check for any other wiring mistakes. Only use a multimeter to check wiring.	–
<input type="checkbox"/>	23	Properly fasten drive control circuit terminal screws.	81
<input type="checkbox"/>	24	Pick up all wire clippings.	–
<input type="checkbox"/>	25	Ensure that no frayed wires on the terminal block are touching other terminals or connections.	–
<input type="checkbox"/>	26	Properly separate control circuit wiring and main circuit wiring.	–
<input type="checkbox"/>	27	Analog signal line wiring should not exceed 50 m.	–

<input checked="" type="checkbox"/>	No.	Item	Page(s)
<input type="checkbox"/>	28	Safe Disable input wiring should not exceed 30 m.	610
<input type="checkbox"/>	29	Verify the logic of Safety Monitor Output Signal (DM+, DM-).	-
<input type="checkbox"/>	30	Disconnect the internal EMC filter by moving the SW screw to the OFF position for floating, impedance grounded, or asymmetrically grounded networks.	99

**This Page Intentionally Blank**

# Start-Up Programming & Operation

---

This chapter explains the functions of the digital operator and how to program the drive for initial operation.

<b>4.1</b>	<b>SECTION SAFETY.....</b>	<b>108</b>
<b>4.2</b>	<b>USING THE DIGITAL OPERATOR.....</b>	<b>109</b>
<b>4.3</b>	<b>THE DRIVE AND PROGRAMMING MODES.....</b>	<b>113</b>
<b>4.4</b>	<b>START-UP FLOWCHARTS.....</b>	<b>119</b>
<b>4.5</b>	<b>POWERING UP THE DRIVE.....</b>	<b>126</b>
<b>4.6</b>	<b>APPLICATION SELECTION.....</b>	<b>127</b>
<b>4.7</b>	<b>AUTO-TUNING.....</b>	<b>130</b>
<b>4.8</b>	<b>NO-LOAD OPERATION TEST RUN.....</b>	<b>144</b>
<b>4.9</b>	<b>TEST RUN WITH LOAD CONNECTED.....</b>	<b>146</b>
<b>4.10</b>	<b>VERIFYING PARAMETER SETTINGS AND BACKING UP CHANGES.....</b>	<b>147</b>
<b>4.11</b>	<b>TEST RUN CHECKLIST.....</b>	<b>149</b>

## 4.1 Section Safety

### DANGER

#### Electrical Shock Hazard

**Do not connect or disconnect wiring while the power is on.**

Failure to comply will result in death or serious injury.

### WARNING

#### Electrical Shock Hazard

**Do not operate equipment with covers removed.**

Failure to comply could result in death or serious injury.

The diagrams in this section may include drives without covers or safety shields to illustrate details. Be sure to reinstall covers or shields before operating the drives and run the drives according to the instructions described in this manual.

**Do not remove covers or touch circuit boards while the power is on.**

Failure to comply could result in death or serious injury.

**Prepare a separate holding brake.**

Wire the holding brake so when a fault occurs, it is activated by an external sequence and shuts the power off or triggers an emergency switch. Failure to comply could result in death or serious injury.



## 4.2 Using the Digital Operator

Use the digital operator to enter Run and Stop commands, edit parameters, and display data including fault and alarm information.

### ◆ Digital Operator Keys and Displays

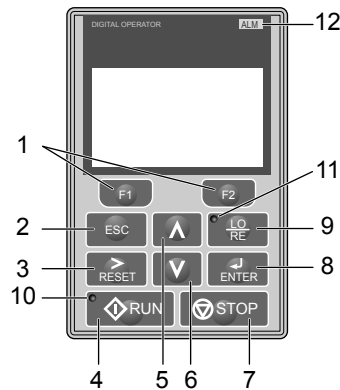


Figure 4.1 Keys and Displays on the Digital Operator

No.	Display	Name	Function
1		Function Key (F1, F2)	The functions assigned to F1 and F2 vary depending on the currently displayed menu. The name of each function appears in the lower half of the display window.
2		ESC Key	<ul style="list-style-type: none"> <li>Returns to the previous display.</li> <li>Moves the cursor one space to the left.</li> <li>Pressing and holding this button will return to the Frequency Reference display.</li> </ul>
3		RESET Key	<ul style="list-style-type: none"> <li>Moves the cursor to the right.</li> <li>Resets the drive to clear a fault situation.</li> </ul>
4		RUN Key	Starts the drive in LOCAL mode.
5		Up Arrow Key	Scrolls up to display the next item, selects parameter numbers, and increments setting values.
6		Down Arrow Key	Scrolls down to display the previous item, selects parameter numbers, and decrements setting values.
7		STOP Key <1>	Stops drive operation.
8		ENTER Key	<ul style="list-style-type: none"> <li>Enters parameter values and settings.</li> <li>Selects a menu item to move between displays</li> </ul>
9		LO/RE Selection Key <2>	Switches drive control between the operator (LOCAL) and an external source (REMOTE) for the Run command and frequency reference.
10		RUN Light	Lit while the drive is operating the motor. Refer to page 111 for details.
11		LO/RE Light	Lit while the operator is selected to run the drive (LOCAL mode). Refer to page 111 for details.
12		ALM LED Light	Lit when the drive detects an alarm or error. Refer to <b>ALARM (ALM) LED Displays on page 111</b> for details.

<1> The STOP key has highest priority. Pressing the STOP key will always cause the drive to stop the motor, even if a Run command is active at any external Run command source. To disable the STOP key priority, set parameter o2-02 to 0.

<2> The LO/RE key can only switch between LOCAL and REMOTE when the drive is stopped. To disable the LO/RE key to prohibit switching between LOCAL and REMOTE, set parameter o2-01 to 0.

### ◆ LCD Display

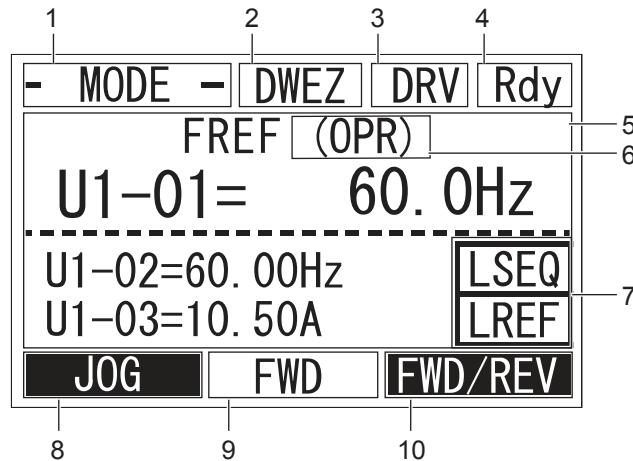






Figure 4.2 LCD Display

Table 4.1 Display and Contents

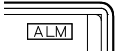


No.	Name	Display	Content
1	Operation Mode Menus	MODE	Displayed when in Mode Selection.
		MONITR	Displayed when in Monitor Mode.
		VERIFY	Indicates the Verify Menu.
		PRMSET	Displayed when in Parameter Setting Mode.
		A.TUNE	Displayed during Auto-Tuning.
		SETUP	Displayed when in Setup Mode.
2	DriveWorksEZ Function Selection	DWEZ	Displayed when DriveWorksEZ is being used.
3	Mode Display Area	DRV	Displayed when in Drive Mode.
		PRG	Displayed when in Programming Mode.
4	Ready	Rdy	Indicates the drive is ready to run.
5	Data Display	—	Displays specific data and operation data.
6	Frequency Reference Assignment </>	OPR	Displayed when the frequency reference is assigned to the LCD Operator.
		AI	Displayed when the frequency reference is assigned to the Analog Input of the drive.
		COM	Displayed when the frequency reference is assigned to the MEMOBUS/Modbus Communication Inputs of the drive.
		OP	Displayed when the frequency reference is assigned to an Option Unit of the drive.
		RP	Displayed when the frequency reference is assigned to the Pulse Train Input of the drive.
7	LO/RE Display </>	RSEQ	Displayed when the run command is supplied from a remote source.
		LSEQ	Displayed when the run command is supplied from the operator keypad.
		RREF	Displayed when the frequency reference is supplied from a remote source.
		LREF	Displayed when the frequency reference is supplied from the operator keypad.
8	Function Key 1 (F1)	JOG	Pressing  runs the motor at the Jog frequency.
		HELP	Pressing  displays the Help menu.
		←	Pressing  scrolls the cursor to the left.
		HOME	Pressing  returns to the top menu (Frequency Reference).
		ESC	Pressing  returns to the previous display.
9	FWD/REV	FWD	Indicates forward motor operation.
		REV	Indicates reverse motor operation.

No.	Name	Display	Content
10	Function Key 2 (F2)	FWD/REV	Pressing  switches between forward and reverse.
		DATA	Pressing  scrolls to the next display.
		→	Pressing  scrolls the cursor to the right.
		RESET	Pressing  resets the existing drive fault error.

- <1> Displayed when in Frequency Reference Mode.
- <2> Displayed when in Frequency Reference Mode and Monitor Mode.







### ◆ ALARM (ALM) LED Displays

Table 4.2 ALARM (ALM) LED Status and Contents

State	Content	Display
Illuminated	When the drive detects an alarm or error.	
Flashing	<ul style="list-style-type: none"> <li>• When an alarm occurs.</li> <li>• When an oPE is detected.</li> <li>• When a fault or error occurs during Auto-Tuning.</li> </ul>	
Off	Normal operation (no fault or alarm).	

### ◆ LO/RE LED and RUN LED Indications

Table 4.3 LO/RE LED and RUN LED Indications

LED	Lit	Flashing	Flashing Quickly <1>	Off
	When the operator is selected for Run command and frequency reference control (LOCAL)	—	—	When a device other than the operator is selected for Run command and frequency reference control (REMOTE)
	During run	<ul style="list-style-type: none"> <li>• During deceleration to stop</li> <li>• When a Run command is input and frequency reference is 0 Hz</li> </ul>	<ul style="list-style-type: none"> <li>• While the drive was set to LOCAL, a Run command was entered to the input terminals then the drive was switched to REMOTE.</li> <li>• A Run command was entered via the input terminals while the drive was not in Drive Mode.</li> <li>• During deceleration when a Fast Stop command was entered.</li> <li>• The drive output is shut off by the Safe Disable function.</li> <li>• The STOP key was pressed while drive was running in REMOTE.</li> <li>• The drive was powered up with b1-17 = 0 (default) while the Run command is active.</li> </ul>	During stop
Examples				

<1> Refer to [Figure 4.3](#) for the difference between “flashing” and “flashing quickly”.

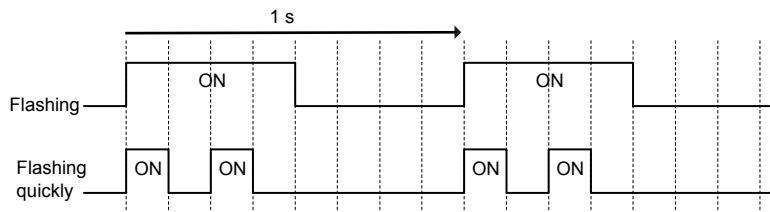


Figure 4.3 RUN LED Status and Meaning

## 4.2 Using the Digital Operator

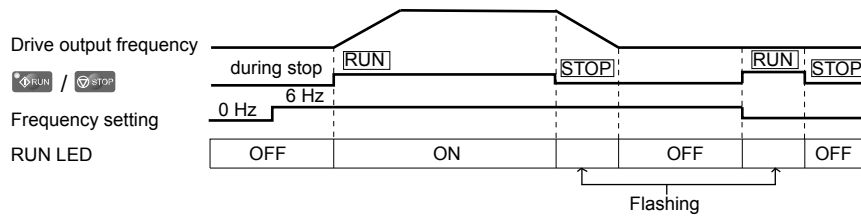


Figure 4.4 RUN LED and Drive Operation

### ◆ Menu Structure for Digital Operator

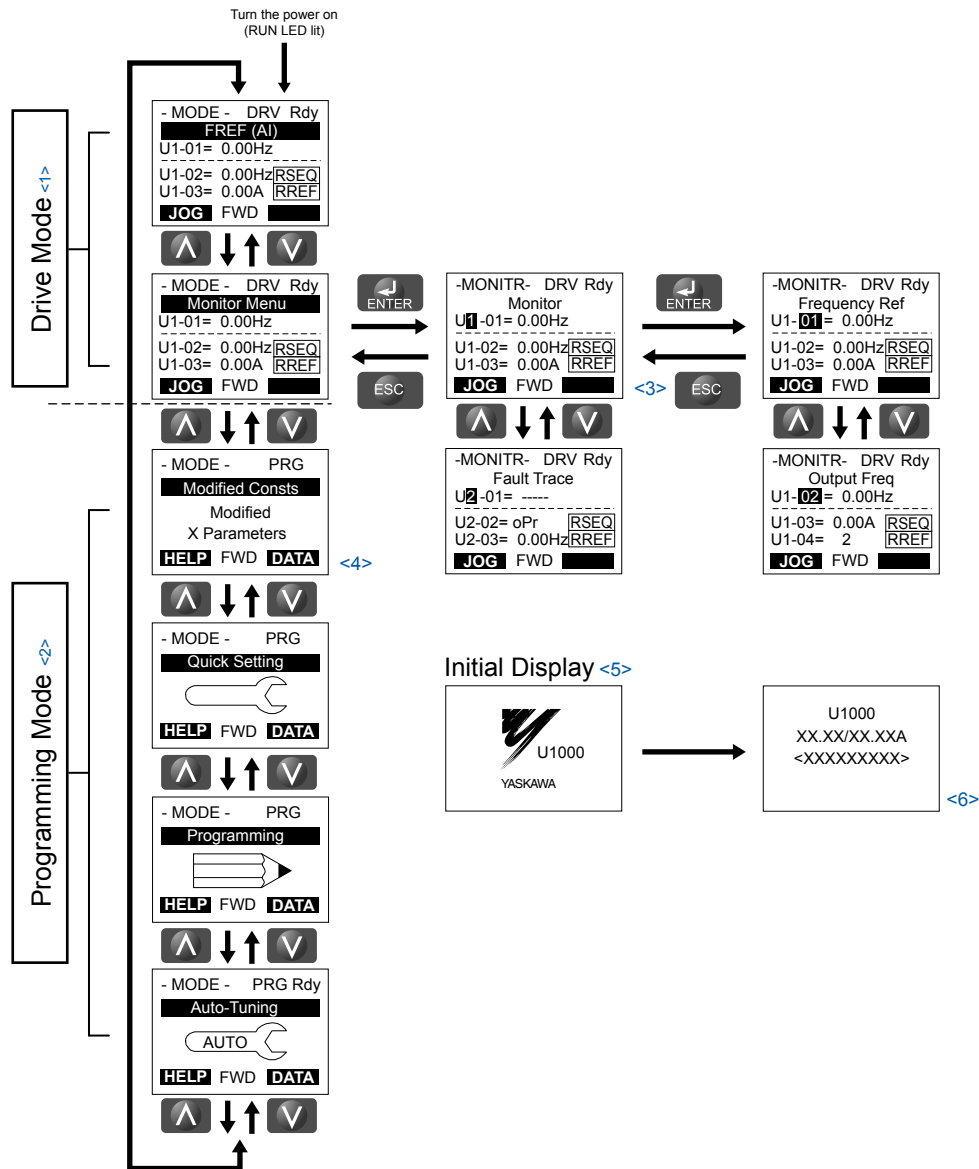


Figure 4.5 Digital Operator Menu and Screen Structure

- <1> Pressing will start the motor.
- <2> Drive cannot operate motor.
- <3> Flashing characters are shown as **1**.
- <4> "X" characters are used as examples in this manual. The LCD Operator will display the actual setting values.
- <5> The Frequency Reference appears after the initial display that shows the product name.
- <6> The information that appears on the display will vary depending on the drive.

## 4.3 The Drive and Programming Modes



The drive has a Drive Mode to operate the motor and a Programming Mode to edit parameter settings.

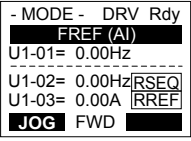

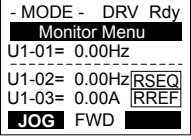

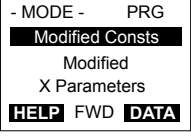

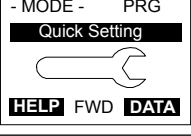
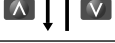
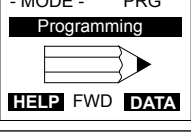

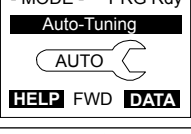
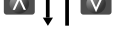
**Drive Mode:** In Drive Mode the user can operate the motor and observe U Monitor parameters. Parameter settings cannot be edited or changed when in Drive Mode.

**Programming Mode:** In Programming Mode the user can edit and verify parameter settings and perform Auto-Tuning. When the drive is in Programming Mode it will not accept a Run command unless b1-08 is set to 1.

- Note:**
1. If b1-08 is set to 0, the drive will only accept a Run command in Drive Mode. After editing parameters, the user must exit the Programming Mode and enter Drive Mode before operating the motor.
  2. Set b1-08 to 1 to allow motor operation from the drive while in Programming Mode.

### ◆ Navigating the Drive and Programming Modes

The drive is set to operate in Drive Mode when it is first powered up. Switch between display screens by using the  and  keys.

Mode	Contents	Operator Display	Description
Power Up	Frequency Reference (default)		This display screen allows the user to monitor and change the frequency reference while the drive is running. <i>Refer to The Drive and Programming Modes on page 113.</i> <b>Note:</b> The user can select the data displayed when the drive is first powered up with parameter o1-02.
			
Drive Mode	Monitor Display		Lists the monitor parameters (U□-□□ parameters) available in the drive. Press the Enter Key and then use the Up, Down, ESC, and Reset keys to navigate through the drive monitors.
			
Programming Mode	Verify Menu		Lists all parameters that have been edited or changed from default settings. → <i>Refer to Verifying Parameter Changes: Verify Menu on page 116.</i>
			
	Setup Group		A select list of parameters necessary to get the drive operating quickly. → <i>Refer to Using the Setup Group on page 117.</i> <b>Note:</b> Parameters listed in the Setup Group differ depending the Application Preset in parameter A1-06. <i>Refer to Application Selection on page 127.</i>
			
	Parameter Setting Mode		Allows the user to access and edit all parameter settings. → <i>Refer to Parameter List on page 441.</i>
			
	Auto-Tuning Mode		Motor parameters are calculated and set automatically. → <i>Refer to Auto-Tuning on page 130.</i>
			

### 4.3 The Drive and Programming Modes

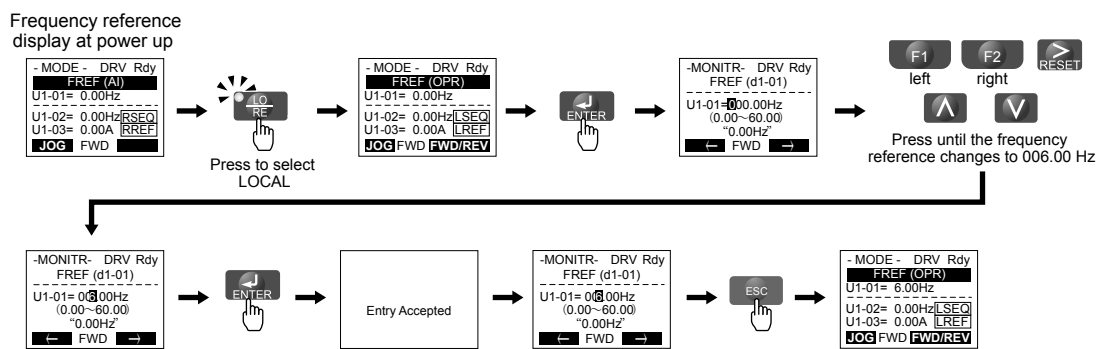
Mode	Contents	Operator Display	Description
Drive Mode	Frequency Reference	<pre> -MODE- DRV Rdy   FREF (AI) U1-01= 0.00Hz U1-02= 0.00Hz[RSEQ] U1-03= 0.00A [RREF]   JOG FWD           </pre>	Returns to the frequency reference display screen.

#### ■ Drive Mode Details

The following actions are possible in the Drive Mode:

- Run and stop the drive
- Monitor the operation status of the drive (frequency reference, output frequency, output current, output voltage, etc.)
- View information on an alarm
- View a history of alarms that have occurred

**Figure 4.6** illustrates how to change the frequency reference from F 0.00 (0 Hz) to F 6.00 (6 Hz) while in the Drive Mode. This example assumes the drive is set to LOCAL.



**Figure 4.6** Setting the Frequency Reference while in the Drive Mode

**Note:** The drive will not accept a change to the frequency reference until the ENTER key is pressed after the frequency reference is entered. This feature prevents accidental setting of the frequency reference. To have the drive accept changes to the frequency reference as soon as changes are made without requiring the ENTER key, set o2-05 to 1.



#### ■ Programming Mode Details


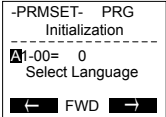


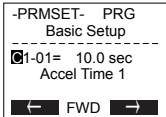

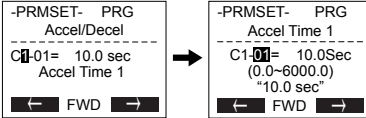


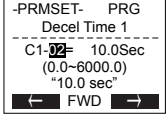

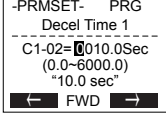



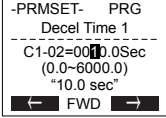

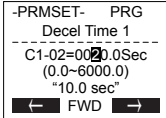


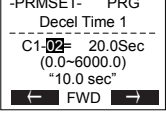

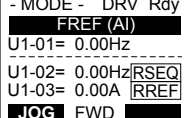
The following actions are possible in the Programming Mode:

- **Parameter Setting Mode:** Access and edit all parameter settings.
- **Verify Menu:** View a list of parameters that have been changed from the default values.
- **Setup Group:** Access a list of commonly used parameters to simplify setup (*Refer to Simplified Setup Using the Setup Group on page 117*).
- **Auto-Tuning Mode:** Automatically calculate and set motor parameters to optimize drive performance.

#### ◆ Changing Parameter Settings or Values

This example explains changing C1-02 (Deceleration Time 1) from 10.0 seconds to 20.0 seconds.

Step	Display/Result
1. Turn on the power to the drive. The initial display appears.	<pre> -MODE- DRV Rdy   FREF (AI) U1-01= 0.00Hz U1-02= 0.00Hz[RSEQ] U1-03= 0.00A [RREF]   JOG FWD           </pre>
2. Press  or  until the Parameter Setting Mode screen appears.	<pre> -MODE- PRG   Programming   [Pencil icon]   HELP FWD DATA           </pre>

	Step		Display/Result
3.	Press  to enter the parameter menu tree.	→	
4.	Press  or  to select the C parameter group.	→	
5.	Press  two times.	→	
6.	Press  or  to select parameter C1-02.	→	
7.	Press  to view the current setting value. The leftmost digit flashes.	→	
8.	Press  ,  , or  until the desired number is selected. "1" flashes.	→	
9.	Press  to enter 0020.0.	→	
10.	Press  to confirm the change.	→	
11.	The display automatically returns to the screen shown in Step 4.	→	
12.	Press  as many times as necessary to return to the initial display.	→	

## 4.3 The Drive and Programming Modes

### ◆ Verifying Parameter Changes: Verify Menu

The Verify Menu lists edited parameters from the Programming Mode or as a result of Auto-Tuning. The Verify Menu helps determine which settings have been changed, and is particularly useful when replacing a drive. If no settings have been changed, the Verify Menu will read “None”. The Verify Menu also allows users to quickly access and re-edit any parameter settings that have been changed.

**Note:** The Verify Menu will not display parameters from the A1 group (except for A1-02) or E5-01 even if those parameters have been changed from their default settings.

The following example is a continuation of the steps above. Here, parameter C1-02 is accessed using the Verify Menu, and is changed again from 10.0 s to 20.0 s.

To check the list of edited parameters:

Step		Display/Result
1.	Turn on the power to the drive. The initial display appears.	
2.	Press  or  until the display shows the top of the Verify Menu.	
3.	Press  to enter the list of parameters that have been edited from their original default settings. If parameters other than C1-02 have been changed, use  or  to scroll until C1-02 appears.	
4.	Press . Press , , ,  or  to change the setting value.	
5.	Press  to confirm the change.	



### ◆ Simplified Setup Using the Setup Group

The Setup Group lists the basic parameters necessary to set up the drive for an application. This group expedites the startup process for an application by showing only the most important parameters for the application.

#### ■ Using the Setup Group

Figure 4.7 illustrates how to enter and how to change parameters in the Setup Group.

The first display shown when entering the Setup Group is the Application Selection menu. Skipping this display will keep the current Setup Group parameter selection. The default setting for the Setup Group is a group of parameters most commonly use in general-purpose applications. Pressing the ENTER key from the Application Selection menu and selecting an Application Preset will change the Setup Group to parameters optimal for the application selected. Refer to Application Selection on page 127.

In this example, the Setup Group is accessed to change b1-01 from 1 to 0. This changes the source of the frequency reference from the control circuit terminals to the digital operator.

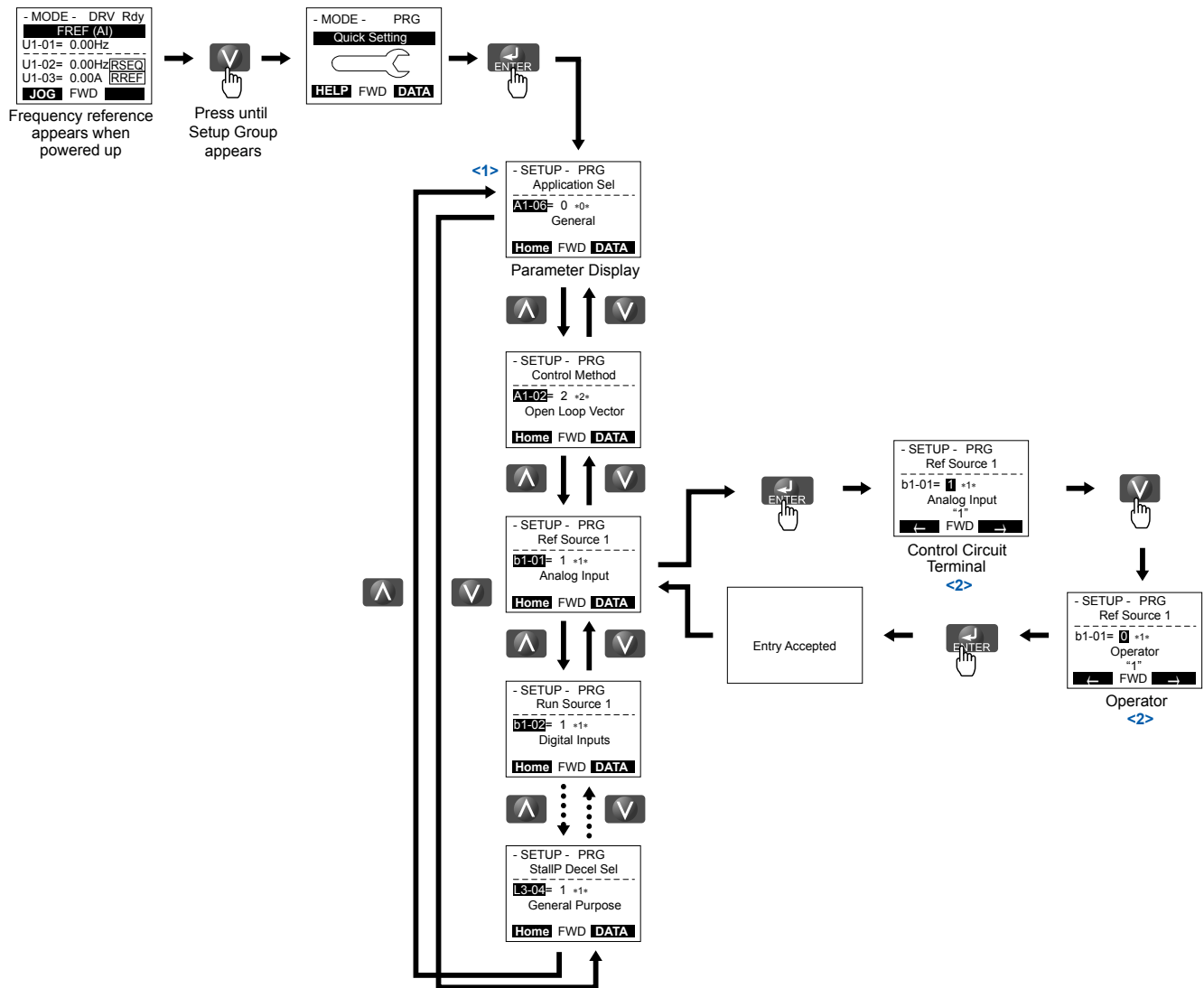


Figure 4.7 Setup Group Example

- <1> Use the up and down arrow keys to scroll through the Setup Group. Press the ENTER key to view or change parameter settings.
- <2> To return to the previous menu without saving changes, press the ESC key.

## 4.3 The Drive and Programming Modes

### ■ Setup Group Parameters

**Table 4.4** lists the parameters available by default in the Setup Group. Selecting an Application Preset in parameter A1-06 or from the Application Selection Menu of the Setup Group automatically changes the parameters selected for the Setup Group. [Refer to Application Selection on page 127](#) for more information.

Use the Programming Mode to access parameters not displayed in the Setup Group.

**Table 4.4 Setup Group Parameters**

Parameter	Name	Parameter	Name
A1-02	Control Method Selection	d1-17	Jog Frequency Reference
b1-01	Frequency Reference Selection 1	E1-03	V/f Pattern Selection
b1-02	Run Command Selection 1	E1-04	Maximum Output Frequency
b1-03	Stopping Method Selection	E1-05	Maximum Voltage
C1-01	Acceleration Time 1	E1-06	Base Frequency
C1-02	Deceleration Time 1	E1-09	Minimum Output Frequency
C6-01	Drive Duty Mode	E1-13	Base Voltage
C6-02	Carrier Frequency Selection	E2-01	Motor Rated Current
d1-01	Frequency Reference 1	E2-04	Number of Motor Poles
d1-02	Frequency Reference 2	E2-11	Motor Rated Power
d1-03	Frequency Reference 3	H4-02	Multi-Function Analog Output Terminal FM Gain
d1-04	Frequency Reference 4	L1-01	Motor Overload Protection Function Selection

**Note:** Parameter availability depends on the control mode set in A1-02; some parameters listed above may not be accessible in all control modes.

### ◆ Switching Between LOCAL and REMOTE

LOCAL mode is when the drive is set to accept the Run command from the digital operator RUN key. REMOTE mode is when the drive is set to accept the Run command from an external device (i.e., input terminals or serial communications).

**WARNING! Sudden Movement Hazard.** The drive may start unexpectedly if the Run command is already applied when switching from LOCAL mode to REMOTE mode when b1-07 = 1, resulting in death or serious injury. Be sure all personnel are clear of rotating machinery.

Switch the operation between LOCAL and REMOTE using the LO/RE key on the digital operator or via a digital input.

- Note:**
1. After selecting LOCAL, the LO/RE light will remain lit.
  2. The drive will not allow the user to switch between LOCAL and REMOTE during run.

### ■ Using the LO/RE Key on the Digital Operator

Step	Display/Result
1. Turn on the power to the drive. The initial display appears.	
2. Press . The LO/RE light will light up. The drive is now in LOCAL. To set the drive for REMOTE operation, press the  key again.	

### ■ Using Input Terminals S1 through S8 to Switch between LOCAL and REMOTE

It is possible to switch between LOCAL and REMOTE modes using one of the digital input terminals S1 through S8 (set the corresponding parameter H1-□□ to “1”).

Setting H1-□□ to 1 disables the LO/RE key on the digital operator. [Refer to H1: Multi-Function Digital Inputs on page 246](#) for details.

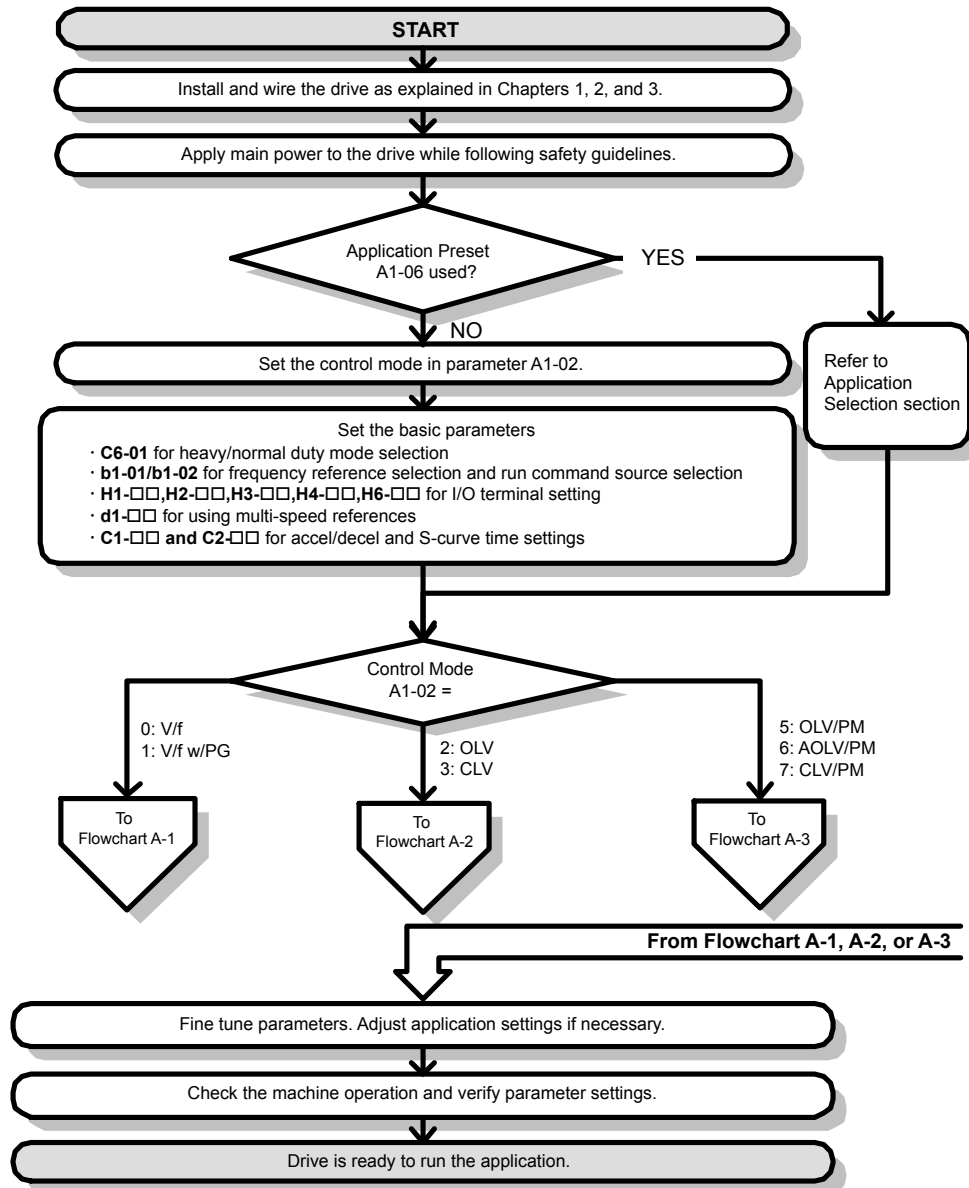
## 4.4 Start-Up Flowcharts

These flowcharts summarize steps required to start the drive. Use the flowcharts to determine the most appropriate start-up method for a given application. The charts are quick references to help familiarize the user with start-up procedures.

Flowchart	Subchart	Objective	Page
A	–	Basic start-up procedure and motor tuning	<a href="#">120</a>
–	A-1	Simple motor setup using V/f mode	<a href="#">121</a>
	A-2	High-performance operation using Open Loop Vector or Closed Loop Vector motor control	<a href="#">122</a>
	A-3	Setting up the drive to run a permanent magnet (PM) motor	<a href="#">124</a>

### ◆ Flowchart A: Basic Start-Up and Motor Tuning

Flowchart A in *Figure 4.8* describes a basic start-up sequence that varies slightly depending on the application. Use the drive default parameter settings in simple applications that do not require high precision.



**Figure 4.8 Basic Start-Up**

- Note:**
1. Execute Stationary Auto-Tuning for Line-to-Line Resistance if the drive has been Auto-Tuned and then moved to a different location where the motor cable length exceeds 50 m.
  2. Perform Auto-Tuning again after installing an AC reactor or other such components to the output side of the drive.

### ◆ Subchart A-1: Simple Motor Setup Using V/f Control

Flowchart A1 in [Figure 4.9](#) describes simple motor setup for V/f Control, with or without PG feedback. V/f Control is suited for more basic applications such as fans and pumps. This procedure illustrates Energy Savings and Speed Estimation Speed Search.

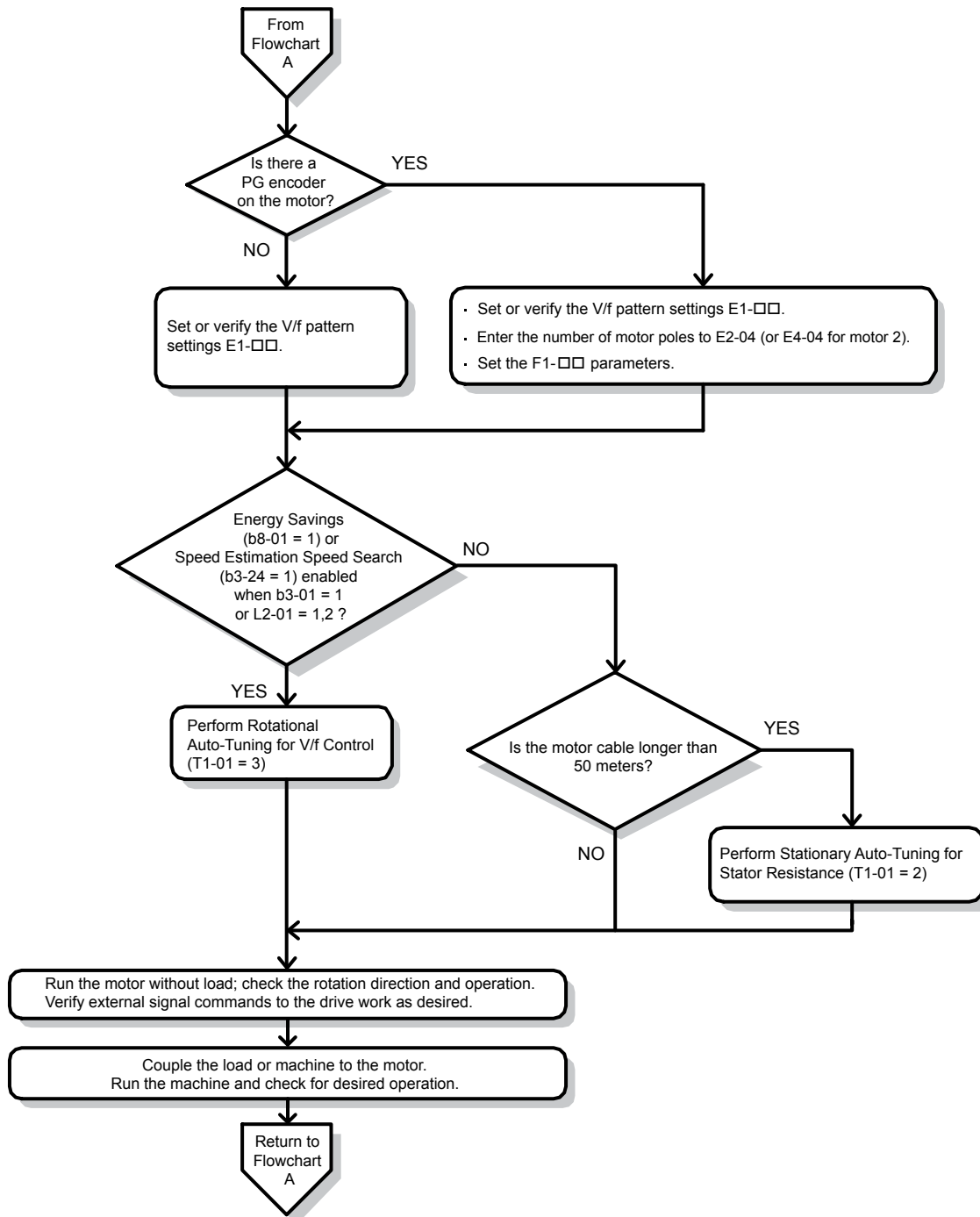


Figure 4.9 Simple Motor Setup with Energy Savings or Speed Search

### ◆ Subchart A-2: High Performance Operation Using OLV or CLV

Flowchart A2 in *Figure 4.10* describes the setup procedure for high-performance with Open Loop Vector Control or Closed Loop Vector Control, which is appropriate for applications requiring high starting torque and torque limits.

**Note:** Although the drive sets parameters for the PG encoder during Auto-Tuning, sometimes the direction of the motor and direction of the PG get reversed. Use parameter F1-05 to switch the direction of the PG so that it matches the motor direction.

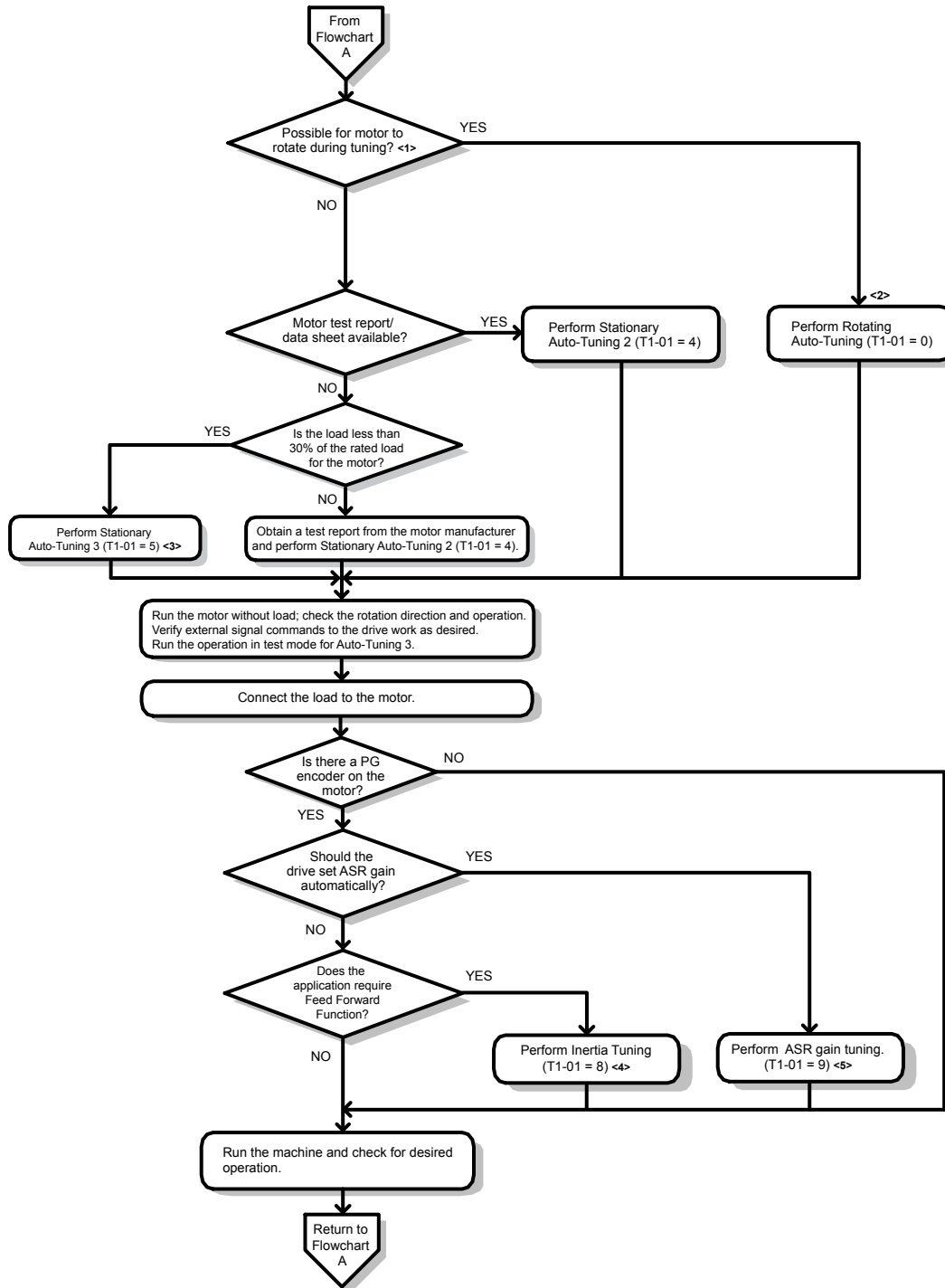


Figure 4.10 Flowchart A2: High Performance Operation Using OLV or CLV

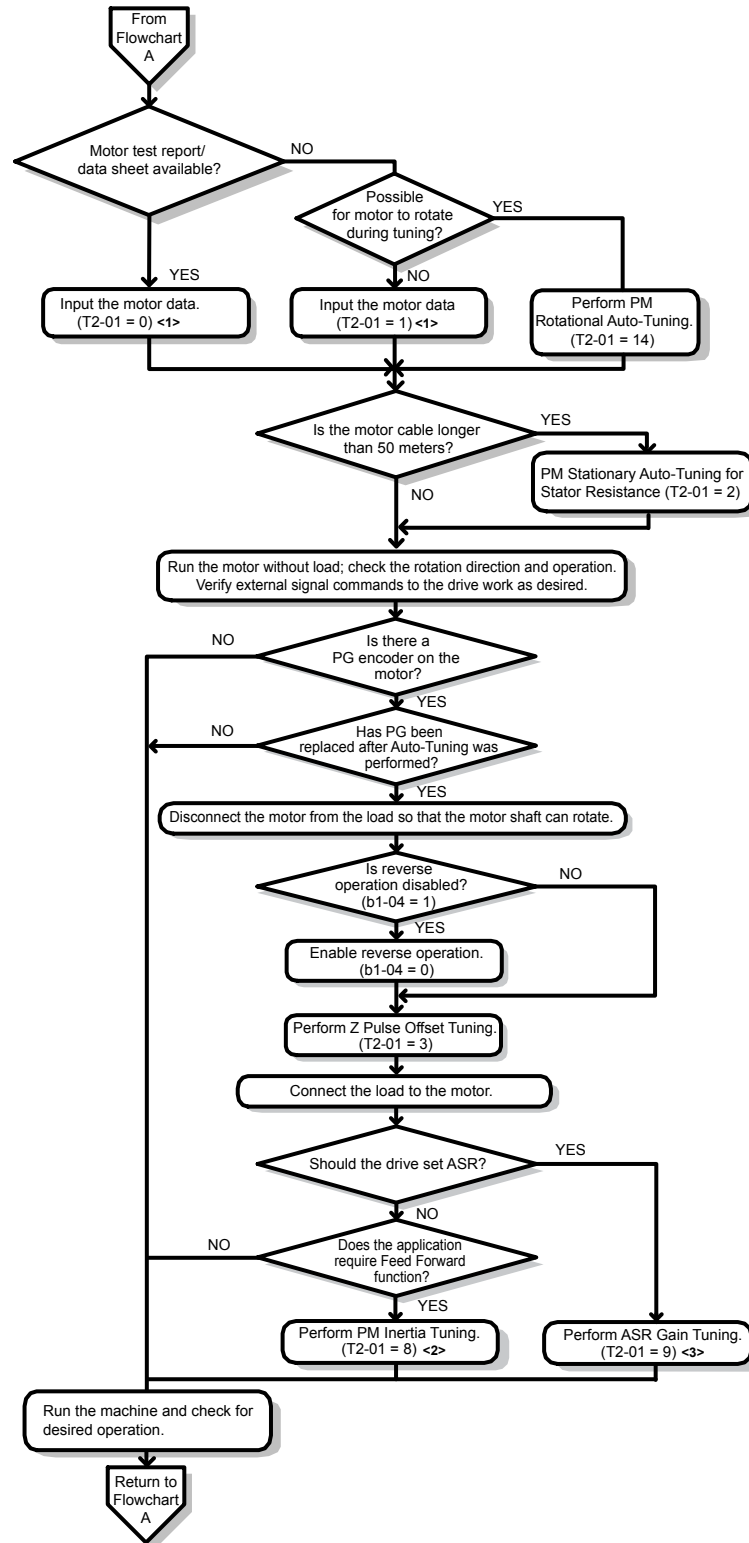
- <1> Decouple the load from the motor to properly perform Rotational Auto-Tuning
- <2> Rotational Auto-Tuning can still be performed if the load is 30% or smaller, though Stationary Auto-Tuning may yield better control performance.
- <3> Run the operation in test mode for Auto-Tuning 3. The drive will set motor parameters automatically. [Refer to Stationary Auto-Tuning 3 on page 134](#) for details.
- <4> Make sure the motor and load can run freely, i.e., if a brake is mounted, make sure it is released.
- <5> ASR Gain Tuning automatically performs Inertia Tuning and sets parameters related to the Feed Forward function.

### ◆ Subchart A-3: Operation with Permanent Magnet Motors

Flowchart A3 in [Figure 4.11](#) describes the setup procedure for running a PM motor in Open Loop Vector Control. PM motors can be used for more energy-efficient operation in reduced or variable torque applications.

- Note:**
1. Although the drive sets parameters for the PG encoder during Auto-Tuning, sometimes the direction of the motor and direction of the PG get reversed. Use parameter F1-05 to switch the direction of the PG so that it matches the motor direction.
  2. Realign the Z Pulse if the PG encoder is replaced. Set T2-01 to 3 to recalibrate the drive for the new encoder.





**Figure 4.11 Operation with Permanent Magnet Motors**

- <1> Enter the motor code to E5-01 when using a Yaskawa PM motor (SMRA Series, SSR1 Series, and SST4 Series). If using a motor from another manufacturer, enter “FFFF”.
- <2> Make sure the motor and load can run freely (i.e., if a brake is mounted, make sure it is released).
- <3> ASR Gain Tuning automatically performs Inertia Tuning and sets parameters related to the Feed Forward function.

## 4.5 Powering Up the Drive

### ◆ Powering Up the Drive and Operation Status Display

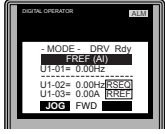

#### ■ Powering Up the Drive

Review the following checklist before turning the power on.

Item to Check	Description
Power supply voltage	200 V class: Three-phase 200 to 240 Vac 50/60 Hz 400 V class: Models 4A□□□□ and 4P□□□□: Three-phase 380 to 500 Vac 50/60 Hz 400 V class: Models 4E□□□□ and 4W□□□□: Three-phase 380 to 480 Vac 50/60 Hz
	Properly wire the power supply input terminals (R/L1, S/L2, T/L3).
	Check for proper grounding of drive and motor. Use a power supply with a capacity that is equal to or greater than drive capacity.
Drive output terminals and motor terminals	Properly wire drive output terminals U/T1, V/T2, and W/T3 with motor terminals U, V, and W.
Control circuit terminals	Check control circuit terminal connections.
Drive control terminal status	Open all control circuit terminals (off).
Status of the load and connected machinery	Decouple the motor from the load.

#### ■ Status Display

When the power supply to the drive is turned on, the digital operator lights will appear as follows:

Status	Name	Description
Normal Operation		The data display area displays the frequency reference. “Rdy” is displayed..
Fault	 External fault (example)	Data displayed varies by the type of fault. <i>Refer to Fault Displays, Causes, and Possible Solutions on page 335</i> for more information. “ALM” is displayed.

## 4.6 Application Selection

Several Application Presets are available to facilitate drive setup for commonly used applications. Selecting one of these Application Presets automatically assigns functions to the input and output terminals and sets a predefined group of parameters to values appropriate for the selected application.

In addition, the parameters most likely to be changed are assigned to the group of User Parameters, A2-01 through A2-16. User Parameters are part of the Setup Group, which provides quicker access by eliminating the need to scroll through multiple menus.

An Application Preset can either be selected from the Application Selection menu in the Setup Group (*Refer to Simplified Setup Using the Setup Group on page 117*) or in parameter A1-06. The following presets can be selected:

- Note:**
1. Application Presets can only be selected if all drive parameters are at their original default settings. It may be necessary to initialize the drive by setting A1-03 to “2220” or “3330” prior to selecting an Application Preset.
  2. Do not set any value outside the allowable range for A1-06 (Application Presets). If an out-of-range value is set, “APPL” will be displayed flashing in the Setup group and the up and down arrow keys cannot be used. If this happens, press the ESC key to return to the Setup group. It will then be possible to switch to another mode using the up and down arrow keys.

**WARNING!** Sudden Movement Hazard. Confirm the drive I/O signals and external sequence before performing a test run. Setting parameter A1-06 may automatically change the I/O terminal function from the default setting. Failure to comply may result in death or serious injury.

No.	Parameter Name	Setting Range	Default
A1-06	Application Preset	0: General-purpose 1: Water supply pump 2: Conveyor 3: Exhaust fan 4: HVAC fan 5: Air compressor	0

### ◆ Setting 1: Water Supply Pump Application

Table 4.5 Water Supply Pump: Parameter Settings

No.	Name	Default Setting
A1-02	Control Method Selection	0: V/f Control
b1-04	Reverse Operation Selection	1: Reverse Prohibited
C1-01	Acceleration Time 1	1.0 s
C1-02	Deceleration Time 1	1.0 s
C6-01	Drive Duty Mode Selection	1: Normal Duty (ND)
E1-03	V/f Pattern Selection	F: Custom V/f Pattern
E1-07	Middle Output Frequency	30.0 Hz
E1-08	Middle Output Frequency Voltage	50.0 V <1>
L2-01	Momentary Power Loss Operation Selection	1: Enabled

<1> Value shown is specific to 200 V class drives. Double value for 400 V class drives.

Table 4.6 Water Supply Pump: User Parameters (A2-01 to A2-16)

No.	Parameter Name	No.	Parameter Name
b1-01	Frequency Reference Selection 1	E2-01	Motor Rated Current
b1-02	Run Command Selection 1	H1-05	Multi-Function Digital Input Terminal S5 Function Selection
b1-04	Reverse Operation Selection	H1-06	Multi-Function Digital Input Terminal S6 Function Selection
C1-01	Acceleration Time 1	H1-07	Multi-Function Digital Input Terminal S7 Function Selection
C1-02	Deceleration Time 1	L5-01	Number of Auto Restart Attempts
E1-03	V/f Pattern Selection		
E1-07	Middle Output Frequency		
E1-08	Middle Output Frequency Voltage		

## 4.6 Application Selection

### ◆ Setting 2: Conveyor Application

Table 4.7 Conveyor: Parameter Settings

No.	Parameter Name	Default Setting
A1-02	Control Method Selection	0: V/f Control
C1-01	Acceleration Time 1	3.0 s
C1-02	Deceleration Time 1	3.0 s
C6-01	Drive Duty Mode Selection	0: Heavy Duty (HD)

Table 4.8 Conveyor: User Parameters (A2-01 to A2-16)

No.	Parameter Name	No.	Parameter Name
A1-02	Control Method Selection	C1-01	Acceleration Time 1
b1-01	Frequency Reference Selection 1	C1-02	Deceleration Time 1
b1-02	Run Command Selection 1	E2-01	Motor Rated Current

### ◆ Setting 3: Exhaust Fan Application

Table 4.9 Exhaust Fan: Parameter Settings

No.	Parameter Name	Default Setting
A1-02	Control Method Selection	0: V/f Control
b1-04	Reverse Operation Selection	1: Reverse Prohibited
C6-01	Drive Duty Mode Selection	1: Normal Duty (ND)
E1-03	V/f Pattern Selection	F: Custom V/f Pattern
E1-07	Middle Output Frequency	30.0 Hz
E1-08	Middle Output Frequency Voltage	50.0 V <I>
L2-01	Momentary Power Loss Operation Selection	1: Enabled

<I> Value shown is specific to 200 V class drives. Double value for 400 V class drives.

Table 4.10 Exhaust Fan: User Parameters (A2-01 to A2-16)

No.	Parameter Name	No.	Parameter Name
b1-01	Frequency Reference Selection 1	E1-08	Middle Output Frequency Voltage
b1-02	Run Command Selection 1	E2-01	Motor Rated Current
b1-04	Reverse Operation Selection	H1-05	Multi-Function Digital Input Terminal S5 Function Selection
b3-01	Speed Search Selection at Start	H1-06	Multi-Function Digital Input Terminal S6 Function Selection
C1-01	Acceleration Time 1	H1-07	Multi-Function Digital Input Terminal S7 Function Selection
C1-02	Deceleration Time 1	L5-01	Number of Auto Restart Attempts
E1-03	V/f Pattern Selection		
E1-07	Middle Output Frequency		

## ◆ Setting 4: HVAC Fan Application

Table 4.11 HVAC Fan: Parameter Settings

No.	Parameter Name	Default Setting
A1-02	Control Method Selection	0: V/f Control
b1-04	Reverse Operation Selection	1: Reverse Prohibited
b1-17	Run Command at Power Up	1: Run command issued, motor operation start
C6-01	Drive Duty Mode Selection	1: Normal Duty (ND)
C6-02	Carrier Frequency Selection	3: 4.0 kHz
H2-03	Terminal P2-PC Function Selection	39: Watt Hour Pulse Output
L2-01	Momentary Power Loss Operation Selection	2: CPU Power Active - Drive will restart if power returns prior to control power supply shut down.
L8-03	Overheat Pre-Alarm Operation Selection	4: Operation at lower speed
L8-38	Carrier Frequency Reduction Selection	2: Enabled across entire frequency range.

Table 4.12 HVAC Fan: User Parameters (A2-01 to A2-16)

No.	Parameter Name	No.	Parameter Name
b1-01	Frequency Reference Selection 1	d2-02	Frequency Reference Lower Limit
b1-02	Run Command Selection 1	E1-03	V/f Pattern Selection
b1-03	Stopping Method Selection	E1-04	Maximum Output Frequency
b1-04	Reverse Operation Selection	E2-01	Motor Rated Current
C1-01	Acceleration Time 1	H3-11	Terminal A2 Gain Setting
C1-02	Deceleration Time 1	H3-12	Terminal A2 Setting Bias
C6-02	Carrier Frequency Selection	L2-01	Momentary Power Loss Operation Selection
d2-01	Frequency Reference Upper Limit	o4-12	kWh Monitor Initialization

## ◆ Setting 5: Air Compressor Application

Table 4.13 Air Compressor: Parameter Settings

No.	Parameter Name	Default Setting
A1-02	Control Method Selection	0: V/f Control
b1-04	Reverse Operation Selection	1: Reverse Prohibited
C1-01	Acceleration Time 1	5.0 s
C1-02	Deceleration Time 1	5.0 s
C6-01	Drive Duty Mode Selection	0: Heavy Duty (HD)
E1-03	V/f Pattern Selection	F: Custom V/f Pattern
L2-01	Momentary Power Loss Operation Selection	1: Enabled

Table 4.14 Air Compressor: User Parameters (A2-01 to A2-16):

No.	Parameter Name	No.	Parameter Name
b1-01	Frequency Reference Selection 1	E1-03	V/f Pattern Selection
b1-02	Run Command Selection 1	E1-07	Middle Output Frequency
b1-04	Reverse Operation Selection	E1-08	Middle Output Frequency Voltage
C1-01	Acceleration Time 1	E2-01	Motor Rated Current
C1-02	Deceleration Time 1		

## 4.7 Auto-Tuning

### ◆ Types of Auto-Tuning

The drive offers different types of Auto-Tuning for induction motors and permanent magnet motors. The type of Auto-Tuning used differs further based on the control mode and other operating conditions. Refer to the tables below to select the type of Auto-Tuning that best suits the application. [Refer to Start-Up Flowcharts on page 119](#) for directions on executing Auto-Tuning.

**Note:** The drive will only show Auto-Tuning parameters that are valid for the control mode that has been set in A1-02. If the control mode is for an induction motor, the Auto-Tuning parameters for PM motors will not be available. If the control mode is for a PM motor, the Auto-Tuning parameters for induction motors will not be available. Inertia Tuning and ASR Gain Tuning parameters and setting options will be visible only when the drive is set for operation with CLV or CLV/PM.

### ■ Auto-Tuning for Induction Motors

This feature automatically sets the V/f pattern and motor parameters E1-□□ and E2-□□ (E3-□□, E4-□□ for motor 2) for an induction motor. Additionally, the feature also sets some F1-□□ parameters for speed feedback detection in Closed Loop Vector.

**Table 4.15 Types of Auto-Tuning for Induction Motors**

Type	Setting	Application Conditions and Benefits	Control Mode			
			V/f	V/f w/PG	OLV	CLV
Rotational Auto-Tuning	T1-01 = 0	<ul style="list-style-type: none"> <li>Motor can be decoupled from the load and rotate freely while Auto-Tuning is performed.</li> <li>Motor and load cannot be decoupled but the motor load is below 30%.</li> <li>Rotational Auto-Tuning gives the most accurate results, and is recommended if possible.</li> </ul>	–	–	YES	YES
Stationary Auto-Tuning 2	T1-01 = 4	<ul style="list-style-type: none"> <li>Motor and load cannot be decoupled and the load is higher than 30%.</li> <li>A motor test report is available. After entering the no-load current and the rated slip, the drive calculates and sets all other motor-related parameters.</li> </ul>	–	–	YES	YES
Stationary Auto-Tuning for Line-to-Line Resistance	T1-01 = 2	<ul style="list-style-type: none"> <li>The drive is used in V/f Control and other Auto-Tuning selections are not possible.</li> <li>Drive and motor capacities differ.</li> <li>Tunes the drive after the cable between the drive and motor has been replaced with a cable over 50 m long. Assumes Auto-Tuning has already been performed.</li> <li>Should not be used for any vector control modes unless the motor cable has changed.</li> </ul>	YES	YES	YES	YES
Rotational Auto-Tuning for V/f Control	T1-01 = 3	<ul style="list-style-type: none"> <li>Recommended for applications using Speed Estimation Speed Search or using the Energy Saving function in V/f Control.</li> <li>Assumes motor can rotate while Auto-Tuning is executed. Increases accuracy for certain functions like torque compensation, slip compensation, Energy Saving, and Speed Search.</li> </ul>	YES	YES	–	–
Stationary Auto-Tuning 3	T1-01 = 5	<ul style="list-style-type: none"> <li>A motor test report listing motor data is not available.</li> <li>Motor can be driven with a normal duty mode after Auto-Tuning. A trial run is performed after Auto-Tuning to automatically calculate motor parameters needed for vector control.</li> </ul>	–	–	YES	YES

[Table 4.16](#) lists the data that must be entered for Auto-Tuning. Make sure this data is available before starting Auto-Tuning. The necessary information is usually listed on the motor nameplate or in the motor test report provided by the motor manufacturer. [Refer to Subchart A-1: Simple Motor Setup Using V/f Control on page 121](#) and [Refer to Subchart A-2: High Performance Operation Using OLV or CLV on page 122](#) for details on Auto-Tuning processes and selections.

Table 4.16 Auto-Tuning Input Data

Input Value	Input Parameter	Unit	Tuning Type (T1-01)				
			0 Standard	2 Line-to-Line Resistance	3 Rotational for V/ f Control	4 Stationary 2	5 Stationary 3
<b>Control Mode</b>	<b>A1-02</b>	–	<b>2, 3</b>	<b>0, 1, 2, 3</b>	<b>0, 1</b>	<b>2, 3</b>	<b>2, 3</b>
Motor Rated Power	T1-02	kW	YES	YES	YES	YES	YES
Motor Rated Voltage	T1-03	Vac	YES	–	YES	YES	YES
Motor Rated Current	T1-04	A	YES	YES	YES	YES	YES
Motor Rated Frequency	T1-05	Hz	YES	–	YES	YES	YES
Number of Motor Poles	T1-06	-	YES	–	YES	YES	YES
Motor Rated Speed	T1-07	r/min	YES	–	YES	YES	YES
PG Number of Pulses per Revolution	T1-08	-	YES <1>	–	–	YES <1>	YES <1>
Motor No-Load Current	T1-09	A	–	–	–	YES	YES
Motor Rated Slip	T1-10	Hz	–	–	–	YES	YES
Motor Iron Loss	T1-11	W	–	–	YES	–	YES

<1> Input data is needed for CLV/PM only.

### ■ Auto-Tuning for Permanent Magnet Motors

Automatically sets the V/f pattern and motor parameters E1-□□ and E5-□□ when a PM motor is used. Additionally, the feature also sets some F1-□□ parameters for speed feedback detection in Closed Loop Vector.

Table 4.17 Types of Auto-Tuning for Permanent Magnet Motors

Type	Setting	Application Conditions and Benefits	Control Mode		
			OLV/PM	AOLV/PM	CLV/PM
<b>PM Motor Parameter Settings</b>	T2-01 = 0	<ul style="list-style-type: none"> <li>Motor does not rotate during Auto-Tuning.</li> <li>Motor test report or motor data similar to <a href="#">Table 4.18</a> are available.</li> </ul>	YES	YES	YES
<b>PM Stationary Auto-Tuning</b>	T2-01 = 1	<ul style="list-style-type: none"> <li>A motor test report listing motor data is not available.</li> <li>Drive automatically calculates and sets motor parameters.</li> </ul>	YES	YES	YES
<b>PM Stationary Auto-Tuning for Stator Resistance</b>	T2-01 = 2	<ul style="list-style-type: none"> <li>Useful to tune the drive when the motor data were set up manually or by motor code and the cable is longer than 50 m.</li> <li>Should also be performed if the cable length has changed after prior tuning.</li> </ul>	YES	YES	YES
<b>Z Pulse Offset Tuning</b>	T2-01 = 3	<ul style="list-style-type: none"> <li>PG encoder has been replaced. Calculates the Z Pulse offset.</li> <li>Requires the motor to rotate with no load or very low load.</li> </ul>	–	–	YES
<b>Back EMF Constant Tuning</b>	T2-01 = 11	<ul style="list-style-type: none"> <li>Use when a motor test is not available.</li> <li>Tunes the motor induction voltage only.</li> <li>Should be performed after motor data are set and the encoder offset is adjusted.</li> <li>The motor must be uncoupled from the mechanical system (remove loads).</li> </ul>	–	–	YES
<b>High Frequency Injection Parameter Tuning</b>	T2-01 = 13	<ul style="list-style-type: none"> <li>The motor rotated in reverse or STo fault (Motor Step-Out) occurred at startup in OLV/PM.</li> <li>Low speed and no torque after activating the high frequency injection control (n8-57 = 1) in AOLV/PM.</li> <li>Faults, such as the motor rotating in reverse, occurred when the power was turned on during initial startup in CLV/PM.</li> </ul>	–	YES	YES
<b>PM Rotational Auto-Tuning</b>	T2-01 = 14	<ul style="list-style-type: none"> <li>A motor test report listing motor data is not available.</li> <li>Motor can be decoupled from the load and rotate freely while Auto-Tuning is performed. Drive automatically calculates and sets motor parameters.</li> <li>PM Rotational Auto-Tuning gives more accurate results than Stationary Auto-Tuning.</li> </ul>	YES	YES	YES

## 4.7 Auto-Tuning

**Table 4.18** lists the data that must be entered for Auto-Tuning. Make sure the data is available before starting Auto-Tuning. The necessary information is usually listed on the motor nameplate or in the motor test report provided by the motor manufacturer. *Refer to Subchart A-3: Operation with Permanent Magnet Motors on page 124* for details on the Auto-Tuning process and selection.

VARI SPEED									
3-PHASE PERMANENT MAGNET MOTOR									
TYPE SST4-					POLES E5-04				
PROTECTION									
COOLING									
kW	V	Hz	RATING		A	r/min	r <sub>1</sub>	E5-05	
E5-02	E1-13				E5-03	E1-04, 06	Ld	E5-06	
							Lq	E5-07	
							Ke	E5-09	
INS. COOLANT TEMP. °C					ALTITUDE m		Δθ		
STD					MASS kg		Δθ		
BRG NO		DRIVE END		OPP END		YEAR		Ki	
SER NO		DRIVE END		OPP END		YEAR		Kt	
YASKAWA ELECTRIC CORPORATION JAPAN									

**Figure 4.12 Motor Nameplate Example**

**Table 4.18 Auto-Tuning Input Data**

Input Value	Input Param.	Unit	Tuning Type (T2-01)											
			0 Motor Parameter Settings			1 Stationary		2 Stationary Stator Resis.	3 Z-Pulse Offset	11 Back EMF Const.	13 High Freq. Injection	14 Rotational		
Control Mode	A1-02	–	5, 6, 7	5	6, 7	5	6, 7	5, 6, 7	7	7	6, 7	5	6	7
Motor Code (Hex.)	T2-02	–	<1>	<1>	<1>	–	–	–	–	–	–	–	–	–
Motor Type	T2-03	–	–	–	–	YES	YES	–	–	–	–	YES	YES	YES
Motor Rated Power	T2-04	kW	–	YES	YES	YES	YES	–	–	–	–	YES	YES	YES
Motor Rated Voltage	T2-05	Vac	–	YES	YES	YES	YES	–	–	–	–	YES	YES	YES
Motor Rated Current	T2-06	A	–	YES	YES	YES	YES	YES	–	–	–	YES	YES	YES
Motor Rated Frequency	T2-07	Hz	–	YES	–	YES	–	–	–	–	–	YES	–	–
Number of Motor Poles	T2-08	–	–	YES	YES	YES	YES	–	–	–	–	YES	YES	YES
Motor Rated Speed	T2-09	r/min	–	–	YES	–	YES	–	–	–	–	–	YES	YES
Stator Single-phase Resistance	T2-10	Ω	YES	YES	YES	–	–	–	–	–	–	–	–	–
d-Axis Inductance	T2-11	mH	YES	YES	YES	–	–	–	–	–	–	–	–	–
q-Axis Inductance	T2-12	mH	YES	YES	YES	–	–	–	–	–	–	–	–	–
Induced Voltage Constant Unit Selection	T2-13	mVs/rad (elec.)	YES	YES	YES	–	–	–	–	–	–	–	–	–
Voltage Constant <2>	T2-14	mVmin (mech.)	YES	YES	YES	–	–	–	–	–	–	–	–	–
Tuning Pull-in Current	T2-15	%	–	–	–	YES	YES	–	–	–	–	YES	YES	YES
PG Number of Pulses Per Revolution	T2-16	ppr	YES <2>	–	YES <2>	–	YES <2>	–	–	–	–	–	–	YES
Z Pulse Offset	T2-17	deg (mech.)	YES <2>	–	YES <2>	–	YES <2>	–	–	–	–	–	–	–

<1> Input the motor code when using a Yaskawa motor. Select “FFFF” when using a motor from another manufacturer.

<2> Input data is needed for CLV/PM only.

<3> Dependent upon T2-13 setting.



## ■ Inertia Tuning and Speed Control Loop Auto-Tuning

Inertia Tuning can be performed when the drive is using CLV control for either IM or PM motors. Inertia Tuning automatically calculates load and motor inertia, and optimizes settings related to Feed Forward control.

ASR Gain Auto-Tuning performs the same operation as Inertia Tuning, while also optimizing speed control loop settings.

**Table 4.19 Inertia and Speed Control Loop Tuning**

Type	Setting		Control Mode	Application Conditions and Benefits
Inertia Tuning	IM Motor	T1-01 = 8	CLV	Allows the motor to rotate at a certain speed and applies a test signal. The response to the test signal is analyzed and the necessary adjustments are made to parameters controlling the Feed Forward function.
	PM Motor	T2-01 = 8	CLV/PM	
ASR Gain Auto-Tuning	IM Motor	T1-01 = 9	CLV	Performs the same operation as Inertia Tuning, while also adjusting the ASR gain according to the test signal response.
	PM Motor	T2-01 = 9	CLV/PM	

**Note:** Inertia Tuning and ASR Gain Auto-Tuning may not be available when gears are between the machine and the motor shaft.

**Table 4.20** explains the data that must be entered to perform the Inertia Tuning and ASR Gain Auto-Tuning. *Refer to Auto-Tuning for Permanent Magnet Motors on page 131* for details.

**Table 4.20 Auto-Tuning Input Data**

Input Value	Input Parameter	Unit	Tuning Type (T1-01 or T2-01)	
			8 Inertia Tuning	9 ASR Gain Tuning
Control Mode	A1-02	–	3, 7	3, 7
Test signal frequency	T3-01	Hz	YES	YES
Test signal amplitude	T3-02	rad	YES	YES
Motor inertia	T3-03	kgm <sup>2</sup>	YES	YES
System response frequency	T3-04	Hz	–	YES

## ◆ Before Auto-Tuning the Drive

Check the items below before Auto-Tuning the drive.

### ■ Basic Auto-Tuning Preparations

- Auto-Tuning requires the user to input data from the motor nameplate or motor test report. Make sure this data is available before Auto-Tuning the drive.
- For best performance, the drive input supply voltage must be at least equal to or greater than the motor rated voltage.

**Note:** Better performance is possible when using a motor with a base voltage that is lower than the input supply voltage (20 V for 200 V class models and 40 V for 400 V class models). This is particularly important when operating the motor above 90% of base speed, where high torque precision is required.

- To cancel Auto-Tuning, press the STOP key on the digital operator.
- When using a motor contactor, make sure it is closed throughout the Auto-Tuning process.
- When using Auto-Tuning for motor 2, make sure motor 2 is connected to the drive output when performing the tuning.

**Table 4.21** describes digital input and output terminal operation while Auto-Tuning is executed.

## 4.7 Auto-Tuning

Table 4.21 Auto-Tuning Input Data

Motor Type	Auto-Tuning Type	Digital Input	Digital Output
IM Motor	Rotational Auto-Tuning	Digital input functions are disabled.	Functions the same as during normal operation.
	Stationary Auto-Tuning 2		
	Stationary Auto-Tuning for Line-to-Line Resistance		
	Rotational Auto-Tuning for V/f Control		Functions the same as during normal operation.
	Stationary Auto-Tuning 3		Maintains the status at the start of Auto-Tuning.
PM Motor	PM Motor Parameter Settings		Digital output functions are disabled.
	PM Stationary Auto-Tuning		
	PM Stationary Auto-Tuning for Stator Resistance		Maintains the status at the start of Auto-Tuning.
	Z Pulse Offset Tuning		
	Back EMF Constant Tuning		Functions the same as during normal operation.
	High Frequency Injection Parameter Tuning		Digital output functions are disabled.
	PM Rotational Auto-Tuning	Functions the same as during normal operation.	
IM and PM Motors	Inertia Tuning		
	ASR Gain Auto-Tuning	Functions the same as during normal operation.	

**WARNING!** Sudden Movement Hazard. Ensure that the motor and the load are not connected when performing Auto-Tuning. Failure to comply may cause damage to equipment or injury to personnel.

**WARNING!** Electrical Shock Hazard. When executing Auto-Tuning, voltage is applied to the motor before the motor rotates. Do not touch the motor until Auto-Tuning is completed. Failure to comply may result in injury or death from electrical shock. If Rotational Auto-Tuning is performed, the motor will remain stopped for approximately one minute with power applied and then the motor will rotate for one minute.

### ■ Notes on Rotational Auto-Tuning

- Decouple the load from the motor to achieve optimal performance from Rotational Auto-Tuning. Rotational Auto-Tuning is best suited for applications requiring high performance over a wide speed range.
- If it is not possible to decouple the motor and load, reduce the load so it is less than 30% of the rated load. Performing Rotational Auto-Tuning with a higher load will set motor parameters incorrectly, and can cause irregular motor rotation.
- Ensure the motor-mounted brake is fully released, if installed.
- Connected machinery should be allowed to rotate the motor.

### ■ Notes on Stationary Auto-Tuning

Stationary Auto-Tuning modes analyze motor characteristics by injecting current into the motor for approximately one minute.

**WARNING!** Electrical Shock Hazard. When executing stationary Auto-Tuning, voltage is applied to the motor before the motor rotates. Do not touch the motor until Auto-Tuning is completed. Failure to comply may result in injury or death from electrical shock.

**WARNING!** Sudden Movement Hazard. If installed, do not release the mechanical brake during Stationary Auto-Tuning. Inadvertent brake release may cause damage to equipment or injury to personnel. Ensure that the mechanical brake release circuit is not controlled by the drive multi-function digital outputs.

#### Stationary Auto-Tuning 2

- Perform when using a vector control mode and Rotational Auto-Tuning cannot be performed.
- Check the area around the motor to ensure that nothing will accidentally cause the motor to rotate during the Auto-Tuning process.
- Use Stationary Auto-Tuning 3 when the motor test report is not available. Use Stationary Auto-Tuning 2 when the motor test report is available.

#### Stationary Auto-Tuning 3

**WARNING!** Electrical Shock Hazard. When executing Stationary Auto-Tuning 3, voltage is applied to the motor before the motor rotates. Do not touch the motor until Auto-Tuning is completed. Failure to comply may result in injury from electrical shock.

**WARNING!** Sudden Movement Hazard. If installed, do not release the mechanical brake during Stationary Auto-Tuning 3. Inadvertent brake release may cause damage to equipment or injury to personnel. Ensure that the mechanical brake release circuit is not controlled by the drive multi-function digital outputs.

Stationary Auto-Tuning 3 can be used in either OLV or CLV control by setting T1-01 to 5 and entering the input data from the motor nameplate. Pressing the RUN key stops the motor for approximately one minute to automatically calculate the necessary motor parameters. Motor parameters E2-02 and E2-03 are set automatically when using the motor for the first time in Drive Mode after Auto-Tuning has been performed.

After performing Stationary Auto-Tuning 3, make sure the following conditions are met and use the following procedures to perform the operation in test mode:

1. Check the E2-02 and E2-03 values in Verify Mode or Parameter Setting Mode.
2. Operate the motor in Drive Mode with the following conditions:  
Do not disconnect the wiring between the motor and drive.  
Do not lock the motor shaft with a mechanical brake or other device.  
The maximum motor load should be 30% of the rated load.  
Maintain a constant speed of 30% of E1-06 (base frequency, default value = maximum frequency) or higher for one second or longer.
3. After the motor is stopped, recheck the E2-02 and E2-03 values in Verify Mode or Parameter Setting Mode.
4. Confirm that the input data is correct.
 

**Note:**

  1. If the aforementioned conditions are not met before using the motor for the first time, there will be large discrepancies between the values set for the motor rated slip (E2-02), motor no-load current (E2-03), the motor test report, and the default values based on o2-04, Drive Model Selection and C6-01, Drive Duty Rating.
  2. If midway initialization is performed, restart the entire tuning procedure from the beginning.
  3. Use the following guidelines for a general-purpose motor: Motor rated slip (E2-02): 0.5 Hz to 3 Hz; Motor no-load current (E2-03): 30% to 65% of the rated current. Generally speaking, for larger motor capacities, the rated slip is smaller and the no-load current as a percentage of the rated current is smaller. *Refer to Defaults by Drive Model and Duty Rating ND/HD on page 536* for details.

### Stationary Auto-Tuning for Line-to-Line Resistance and PM Motor Stator Resistance

- Perform when entering motor data manually while using motor cables longer than 50 m.
- If the motor cables have been replaced with cables more than 50 m long after Auto-Tuning has already been performed, use Stationary Auto-Tuning for line-to-line resistance.

**WARNING! Electrical Shock Hazard.** When executing Stationary Auto-Tuning for Line-to-line resistance, voltage is applied to the motor even before it rotates. Do not touch the motor until Auto-Tuning is completed. Failure to comply may result in injury or death from electrical shock.

### Notes on Inertia Tuning and ASR Gain Auto-Tuning

**WARNING! Electrical Shock Hazard.** When executing Inertia Tuning or ASR Gain Auto-Tuning, voltage is applied to the motor even before it rotates. Do not touch the motor until Auto-Tuning is completed. Failure to comply may result in injury or death from electrical shock.

- Perform both tuning methods with the machine connected to the motor, but without the load applied.
- The motor will rotate during the Auto-Tuning process. Make sure the areas around the motor and connected machinery are clear.
- The drive will let the system rotate at a certain speed while superimposing a sine wave test signal. Make sure this tuning process does not cause any problem or malfunction in the machine before using it.
- Ensure the motor-mounted brake is fully released if installed.
- Connected machinery should be allowed to rotate the motor.

### Auto-Tuning Interruption and Fault Codes

If tuning results are abnormal or the STOP key is pressed before completion, Auto-Tuning will be interrupted and a fault code will appear on the digital operator.

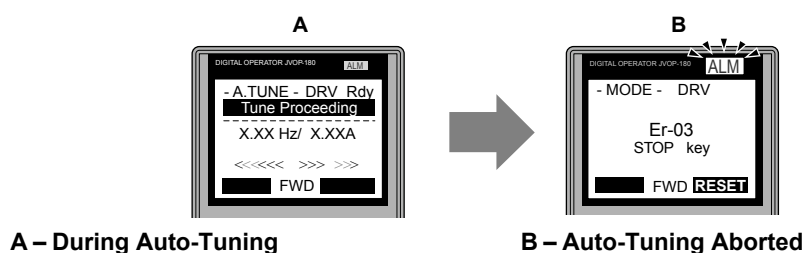







Figure 4.13 Auto-Tuning Aborted Display

### ◆ Auto-Tuning Operation Example

The following example demonstrates Rotational Auto-Tuning when using OLV (A1-02 = 2) and CLV (A1-02 = 3).

#### ■ Selecting the Type of Auto-Tuning









Step		Step	Display/Result
1.	Turn on the power to the drive. The initial display appears.	→	<pre> - MODE - DRV Rdy   FREF (AI) U1-01= 0.00Hz ----- U1-02= 0.00Hz[RSEQ] U1-03= 0.00A [RREF] JOG FWD           </pre>
2.	Press  or  until the Auto-Tuning display appears.	→	<pre> - MODE - PRG   Auto-Tuning   AUTO HELP FWD DATA           </pre>
3.	Press  to begin setting parameters.	→	<pre> - A.TUNE - PRG Rdy   Tuning Mode Sel T1-01= 0 +0+ StandardTuning ESC FWD DATA           </pre>
4.	Press  to display the value for T1-01. </>	→	<pre> - A.TUNE - PRG Rdy   Tuning Mode Sel T1-01= 0 +0+ StandardTuning "0" ← FWD →           </pre>
5.	Save the setting by pressing  .	→	<pre> Entry Accepted           </pre>
6.	The display automatically returns to the display shown in Step 3.	→	<pre> - A.TUNE - PRG Rdy   Tuning Mode Sel T1-01= 0 +0+ StandardTuning ESC FWD DATA           </pre>

<1> T1-00 will appear on the display when one of the multi-function inputs has been set to switch between motor 1 and motor 2 (H1-□□ = 16).

#### ■ Enter Data from the Motor Nameplate

After selecting the type of Auto-Tuning, enter the data required from the motor nameplate.

**Note:** These instructions continue from Step 6 in "Selecting the Type of Auto-Tuning".

Step		Step	Display/Result
1.	Press  to access the motor output power parameter T1-02. The value set for E2-11 prior to turning on the power is displayed for T1-02.	→	<pre> - A.TUNE - PRG Rdy   Mtr Rated Power T1-02= 0.75kW (0.00 ~ 650.00) "0.75kW" ESC FWD DATA           </pre>
2.	The setting value of T1-02 flashes when  is pressed. The setting can be changed.	→	<pre> - A.TUNE - PRG Rdy   Mtr Rated Power T1-02= 000.75kW (0.00 ~ 650.00) "0.75kW" ← FWD →           </pre>
3.	Press  left,  , right,  ,  , and  to enter the motor power nameplate data in kW.	→	<pre> - A.TUNE - PRG Rdy   Mtr Rated Power T1-02= 000.40kW (0.00 ~ 650.00) "0.75kW" ← FWD →           </pre>
4.	Press  to save the setting.	→	<pre> Entry Accepted           </pre>

Step		Display/Result
5.	The display automatically returns to the display in Step 1.	
6.	Repeat Steps 1 through 5 to set the following parameters: <ul style="list-style-type: none"> <li>T1-03, Motor Rated Voltage</li> <li>T1-04, Motor Rated Current</li> <li>T1-05, Motor Base Frequency</li> <li>T1-06, Number of Motor Poles</li> <li>T1-07, Motor Base Frequency</li> <li>T1-09, Motor No-Load Current (Stationary Auto-Tuning 2 only)</li> <li>T1-10, Motor Rated Slip (Stationary Auto-Tuning 2 only)</li> </ul>	

- Note:**
- For details on each setting, [Refer to T1: Parameter Settings during Induction Motor Auto-Tuning on page 137.](#)
  - To execute Stationary Auto-Tuning for line-to-line resistance only, set parameters T1-02 and T1-04.

## Starting Auto-Tuning

**WARNING! Sudden Movement Hazard.** The drive and motor may start unexpectedly during Auto-Tuning, which could result in death or serious injury. Ensure the area surrounding the drive motor and load are clear before proceeding with Auto-Tuning.

**WARNING! Electrical Shock Hazard.** High voltage will be supplied to the motor when Stationary Auto-Tuning is performed even with the motor stopped, which could result in death or serious injury. Do not touch the motor until Auto-Tuning has been completed.

**NOTICE:** Rotational Auto-Tuning will not function properly if a holding brake is engaged on the load. Failure to comply could result in improper operation of the drive. Ensure the motor can freely spin before beginning Auto-Tuning.

Enter the required information from the motor nameplate. Press to proceed to the Auto-Tuning start display.

- Note:** These instructions continue from Step 6 in “Enter Data from the Motor Nameplate”.

Step		Display/Result
1.	After entering the data listed on the motor nameplate, press  to confirm.	
2.	Press  to activate Auto-Tuning. <b>DRV</b> flashes. The drive begins by injecting current into the motor for about 1 min, and then starts to rotate the motor. <b>Note:</b>	
3.	Auto-Tuning finishes in approximately one to two minutes.	

## T1: Parameter Settings during Induction Motor Auto-Tuning

The T1-□□ parameters set the Auto-Tuning input data for induction motor tuning.

- Note:** For motors operating in the field weakening range, first perform the Auto-Tuning with the base data. After Auto-Tuning is complete, change E1-04, Maximum Output Frequency, to the desired value.

### T1-00: Motor 1/Motor 2 Selection

Selects the motor to be tuned when motor 1/2 switching is enabled (i.e., a digital input is set for function H1-□□ = 16). This parameter is not displayed if motor 1/2 switching is disabled.

No.	Name	Setting Range	Default
T1-00	Motor 1/Motor 2 Selection	1, 2	1

#### Setting 1: Motor 1

Auto-Tuning automatically sets parameters E1-□□ and E2-□□ for motor 1.

## 4.7 Auto-Tuning

### Setting 2: Motor 2

Auto-Tuning automatically sets parameters E3-□□ and E4-□□ for motor 2. Make sure that motor 2 is connected to the drive for Auto-Tuning.

#### ■ T1-01: Auto-Tuning Mode Selection

Sets the type of Auto-Tuning to be used. *Refer to Auto-Tuning for Induction Motors on page 130* for details on the different types of Auto-Tuning.

No.	Name	Setting Range	Default
T1-01	Auto-Tuning Mode Selection	V/f: 2, 3 V/f w/P: 2, 3 OLV: 0, 2, 4, 5 CLV: 0, 2, 4, 5, 8, 9	V/f, V/f w/P: 2 OLV, CLV: 0

#### Setting 0: Rotational Auto-Tuning

#### Setting 2: Stationary Auto-Tuning for Line-to-Line Resistance

#### Setting 3: Rotational Auto-Tuning for V/f Control

#### Setting 4: Stationary Auto-Tuning 2

#### Setting 5: Stationary Auto-Tuning 3

#### Setting 8: Inertia Tuning

#### Setting 9: ASR Gain Auto-Tuning

**Note:** Inertia Tuning and ASR Gain Auto-Tuning may not be available when gears are between the machine and the motor shaft.

#### ■ T1-02: Motor Rated Power

Sets the motor rated power according to the motor nameplate value.

No.	Name	Setting Range	Default
T1-02	Motor Rated Power	0.00 to 650.00 kW	Determined by o2-04 and C6-01

#### ■ T1-03: Motor Rated Voltage

Sets the motor rated voltage according to the motor nameplate value. Enter the voltage base speed here if the motor is operating above base speed.

Enter the voltage needed to operate the motor under no-load conditions at rated speed to T1-03 for better control precision around rated speed when using a vector control mode. The no-load voltage can usually be found in the motor test report available from the manufacturer. If the motor test report is not available, enter approximately 85% of the rated voltage printed on the motor nameplate. This may increase the output current and reduce the overload margin.

No.	Name	Setting Range	Default
T1-03	Motor Rated Voltage	0.0 to 255.5 V <1>	200.0 V <1>

<1> Values are specific to 200 V class drives. Double values for 400 V class drives.

#### ■ T1-04: Motor Rated Current

Sets the motor rated current according to the motor nameplate value. Set the motor rated current between 50% and 100% of the drive rated current for optimal performance in OLV or CLV. Enter the current at the motor base speed.

No.	Name	Setting Range	Default
T1-04	Motor Rated Current	10 to 150% of drive rated current	o2-04

#### ■ T1-05: Motor Base Frequency

Sets the motor rated frequency according to the motor nameplate value. If a motor with an extended speed range is used or the motor is used in the field weakening area, enter the maximum frequency to E1-04 (E3-04 for motor 2) after Auto-Tuning is complete.

No.	Name	Setting Range	Default
T1-05	Motor Base Frequency	0.0 to 400.0 Hz	60.0 Hz

### ■ T1-06: Number of Motor Poles

Sets the number of motor poles according to the motor nameplate value.

No.	Name	Setting Range	Default
T1-06	Number of Motor Poles	2 to 48	4

### ■ T1-07: Motor Base Speed

Sets the motor rated speed according to the motor nameplate value. Enter the speed at base frequency when using a motor with an extended speed range or if using the motor in the field weakening area.

No.	Name	Setting Range	Default
T1-07	Motor Base Speed	0 to 24000 r/min	1750 r/min

### ■ T1-08: PG Number of Pulses Per Revolution

Sets the number of pulses from the PG encoder. Set the actual number of pulses for one full motor rotation.

No.	Name	Setting Range	Default
T1-08	PG Number of Pulses Per Revolution	1 to 60000 ppr	1024 ppr

**Note:** T1-08 will only be displayed in CLV.

### ■ T1-09: Motor No-Load Current

Sets the no-load current for the motor. The default setting displayed is no-load current automatically calculated from the rated power set in T1-02 and the motor rated current set to T1-04. Enter the data listed on the motor test report. Leave this data at the default setting if the motor test report is not available.

No.	Name	Setting Range	Default
T1-09	Motor No-Load Current	0 A to [T1-04] (Max: 0 to 2999.9) </>	–

<1> Display is in the following units:

2□0028 and 4□0011 to 4□0034: 0.01 A units.

2□0042 to 2□0248 and 4□0040 to 4□0414: 0.1 A units.

### ■ T1-10: Motor Rated Slip

Sets the rated slip for the motor. The default setting displayed is the rated slip for a Yaskawa motor calculated from the rated power set in T1-02. Enter the data listed on the motor test report.

No.	Name	Setting Range	Default
T1-10	Motor Rated Slip	0.00 to 20.00 Hz	–

### ■ T1-11: Motor Iron Loss

Provides iron loss information to determine the Energy Saving coefficient. T1-11 will first display the value for the motor iron loss that was automatically calculated when motor capacity was entered to T1-02. Enter the motor iron loss value listed to T1-11 if the motor test report is available.

No.	Name	Setting Range	Default
T1-11	Motor Iron Loss	0 to 65535 W	E2-11 (E4-11)

## ◆ Parameter Settings during PM Motor Auto-Tuning: T2

The T2-□□ parameters are used to set the Auto-Tuning input data for PM motor tuning.

### ■ T2-01: PM Motor Auto-Tuning Mode Selection

Selects the type of Auto-Tuning to be performed. *Refer to Auto-Tuning for Permanent Magnet Motors on page 131* for details on different types of Auto-Tuning.



## 4.7 Auto-Tuning

No.	Name	Setting Range	Default
T2-01	PM Motor Auto-Tuning Mode Selection	OLV/PM: 0, 1, 2, 14 AOLV/PM: 0, 1, 2, 13, 14 CLV/PM: 0, 1, 2, 3, 8, 9, 11, 13, 14	0

### Setting 0: PM Motor Parameter Settings

### Setting 1: PM Stationary Auto-Tuning

### Setting 2: PM Stationary Auto-Tuning for Stator Resistance

### Setting 3: Z-Pulse Offset Tuning

### Setting 8: Inertia Tuning

**Note:** Inertia Tuning may not be available when gears are between the machine and the motor shaft.

### Setting 9: ASR Gain Auto-Tuning

**Note:** ASR Gain Auto-Tuning may not be available when gears are between the machine and the motor shaft.

### Setting 11: Back EMF Constant Tuning

- Note:**
1. Back EMF Constant Tuning may not be available when gears are between the machine and the motor shaft.
  2. For special-purpose motors, Yaskawa recommends performing Back EMF Constant Tuning after performing Stationary Auto-Tuning. Back EMF Constant Tuning rotates the motor to measure the actual induction voltage constants, which allows for more accurate control than Stationary Auto-Tuning alone.

### Setting 13: High Frequency Injection Parameter Tuning

### Setting 14: PM Rotational Auto-Tuning

## ■ T2-02: PM Motor Code Selection

If the drive is operating a Yaskawa PM motor from the SMRA, SSR1, or SST4 series, enter the motor code in T2-02 to automatically set parameters T2-03 through T2-14. If the drive is operating a specialized motor or a motor designed by a manufacturer other than Yaskawa, set T2-02 to FFFF and enter the data from the motor nameplate or the motor test report as prompted.

Only the designated PM motor codes may be entered. The PM motor codes accepted by the drive will differ depending on the selected control mode. *Refer to E5: PM Motor Settings on page 230* for motor codes.

No.	Name	Setting Range	Default
T2-02	PM Motor Code Selection	0000 to FFFF	Determined by A1-02 and o2-04

## ■ T2-03: PM Motor Type

Selects the type of PM motor the drive will operate.

No.	Name	Setting Range	Default
T2-03	PM Motor Type	0, 1	1

### Setting 0: IPM motor

### Setting 1: SPM motor

## ■ T2-04: PM Motor Rated Power

Specifies the motor rated power in kilowatts.

No.	Name	Setting Range	Default
T2-04	PM Motor Rated Power	0.00 to 650.00 kW	Determined by o2-04 and C6-01

## ■ T2-05: PM Motor Rated Voltage

Sets the motor rated voltage.

No.	Name	Setting Range	Default
T2-05	PM Motor Rated Voltage	0.0 to 255.0 V <I>	200.0 V <I>

<I> Value shown is specific to 200 V class drives. Double value for 400 V class drives.



### ■ T2-06: PM Motor Rated Current

Enter the motor rated current in amps.

No.	Name	Setting Range	Default
T2-06	PM Motor Rated Current	10% to 150% of the drive rated current.	Determined by o2-04

### ■ T2-07: PM Motor Base Frequency

Enter the motor base frequency in Hz.

**Note:** T2-07 will be displayed when in OLV/PM.

No.	Name	Setting Range	Default
T2-07	PM Motor Base Frequency	0.0 to 400.0 Hz	87.5 Hz

### ■ T2-08: Number of PM Motor Poles

Enter the number of motor poles.

No.	Name	Setting Range	Default
T2-08	Number of PM Motor Poles	2 to 48	6

### ■ T2-09: PM Motor Base Speed

Enter the motor rated speed in r/min.

**Note:** T2-09 will be displayed when in AOLV/PM and CLV/PM.

No.	Name	Setting Range	Default
T2-09	PM Motor Base Speed	0 to 24000 r/min	1750 r/min

### ■ T2-10: PM Motor Stator Resistance

Enter the motor stator resistance per motor phase.

No.	Name	Setting Range	Default
T2-10	PM Motor Stator Resistance	0.000 to 65.000 $\Omega$	Determined by T2-02

### ■ T2-11: PM Motor d-Axis Inductance

Enter the d-Axis inductance per motor phase.

No.	Name	Setting Range	Default
T2-11	PM Motor d-Axis Inductance	0.00 to 600.00 mH	Determined by T2-02

### ■ T2-12: PM Motor q-Axis Inductance

Enter the q-Axis inductance per motor phase.

No.	Name	Setting Range	Default
T2-12	PM Motor q-Axis Inductance	0.00 to 600.00 mH	Determined by T2-02

### ■ T2-13: Induced Voltage Constant Unit Selection

Selects the units used for setting the induced voltage coefficient.

No.	Name	Setting Range	Default
T2-13	Induced Voltage Constant Unit Selection	0, 1	1

**Setting 0: mV (r/min)**

**Setting 1: mV (rad/sec)**

**Note:** If T2-13 is set to 0, then the drive will use E5-24 (Motor Induction Voltage Constant 2), and will automatically set E5-09 (Motor Induction Voltage Constant 1 (Ke)) to 0.0. If T2-13 is set to 1, then the drive will use E5-09 and will automatically set E5-25 to 0.0.

## 4.7 Auto-Tuning

### ■ T2-14: PM Motor Induced Voltage Constant (Ke)

Enter the motor induced voltage constant (Ke).

No.	Name	Setting Range	Default
T2-14	PM Motor Induced Voltage Constant (Ke)	0.0 to 2000.0	Determined by T2-02

### ■ T2-15: Pull-In Current Level for PM Motor Tuning

Sets the amount of pull-in current used to tune the d-Axis and q-Axis inductance. Set as a percentage of the motor rated current.

No.	Name	Setting Range	Default
T2-15	Pull-In Current Level for PM Motor Tuning	0 to 120%	30%

### ■ T2-16: PG Number of Pulses Per Revolution for PM Motor Tuning

Enter the number of pulses from the PG encoder per motor rotation. Set the actual number of pulses for one full motor rotation.

No.	Name	Setting Range	Default
T2-16	PG Number of Pulses Per Revolution for PM Motor Tuning	0 to 15000 ppr	1024 ppr

### ■ T2-17: Encoder Z Pulse Offset ( $\Delta\theta$ )

Sets the amount of compensation or offset in 0.1 degree units to fine-tune the home position. Perform Z Pulse tuning when the amount of offset needed for the Z Pulse is unknown or if the PG encoder is replaced.

No.	Name	Setting Range	Default
T2-17	Encoder Z Pulse Offset ( $\Delta\theta$ )	-180.0 to 180.0 deg	0.0 deg

## ◆ Parameter Settings during Inertia and Speed Control Loop Auto-Tuning: T3

These tuning methods apply a sine wave test signal to the system. The drive estimates the system inertia by the measuring the response and automatically sets the parameters listed in [Table 4.22](#).

**Table 4.22 Parameters Adjusted by Inertia and Speed Loop Auto-Tuning**

Parameter	Description	T1-01 or T2-01	
		8 Inertia Tuning	9 Speed Control Loop (ASR) Tuning
C5-01	ASR Proportional Gain 1	–	YES
C5-17 (C5-37)	Motor Inertia	YES	YES
C5-18 (C5-38)	Motor Inertia Ratio	YES	YES
n5-02	Motor Acceleration Time	YES	YES
n5-03	Feed Forward Control Ratio Gain	YES	YES

### ■ T3-01: Inertia Tuning Frequency Reference

Sets the frequency of the test signal applied to the motor during Inertia Tuning. Although this setting rarely needs to be changed, increasing the value may be beneficial when working with high inertia loads.

No.	Name	Setting Range	Default
T3-01	Inertia Tuning Frequency Reference	0.1 to 20.0 Hz	3.0 Hz

### ■ T3-02: Inertia Tuning Reference Amplitude

Enter the amplitude of the test signal applied to the motor during Inertia Tuning. Although this setting rarely needs to be changed, decrease the setting if a large load inertia causes problems during Inertia Tuning. Adjust T3-02 if a fault occurs when T3-01 is set to a low value.

No.	Name	Setting Range	Default
T3-02	Inertia Tuning Reference Amplitude	0.1 to 10.0 rad	0.5 rad

### ■ T3-03: Motor Inertia

Enter the inertia of the motor. This value is used to determine the load inertia using the test signal response. The default setting is for a Yaskawa standard motor as listed in the motor inertia table.

No.	Name	Setting Range	Default
T3-03	Motor Inertia	0.0001 to 600.00 kgm <sup>2</sup>	Determined by o2-04, C6-01, E5-01

**Note:** Display is in the following units:  
 Models 2□0028 to 2□0130 and 4□0011 to 4□0077: 0.0001 kgm<sup>2</sup> units  
 Models 2□0154 to 2□0248 and 4□0096 to 4□0414: 0.001 kgm<sup>2</sup> units  
 Display resolution depends on the rated output current of the drive after setting drive duty using parameter C6-01.

### ■ T3-04: ASR Response Frequency

Sets the response frequency (reciprocal of the step response time constant) of the system or the connected machine. The drive uses this value and the load inertia to fine-tune the speed control loop gain (C5-01, ASR Gain 1). Oscillation may result if the value input here is higher than the actual response frequency of the system.

No.	Name	Setting Range	Default
T3-04	ASR Response Frequency	0.1 to 50.0 Hz	10.0 Hz

## 4.8 No-Load Operation Test Run

### ◆ No-Load Operation Test Run

This section explains how to operate the drive with the motor decoupled from the load during a test run.

#### ■ Before Starting the Motor

Check the following items before operation:

- Ensure the area around the motor is safe.
- Ensure external emergency stop circuitry is working properly and other safety precautions have been taken.

#### ■ During Operation




Check the following items during operation:

- The motor should rotate smoothly (i.e., no abnormal noise or oscillation).
- The motor should accelerate and decelerate smoothly.

#### ■ No-Load Operation Instructions

The following example illustrates a test run procedure using the digital operator.

Step		Display/Result
1.	Turn on the power to the drive. The initial display appears.	
2.	Press  to select LOCAL. The LO/RE light will turn on.	
3.	Set the frequency reference to 6 Hz. <i>Refer to Setting the Frequency Reference while in the Drive Mode on page 114</i> for the setting procedure.	—
4.	Press  to give the drive a Run command. RUN will light and the motor will rotate at 6 Hz.	
5.	Ensure the motor is rotating in the correct direction and that no faults or alarms occur.	
6.	If there is no error in step 4, increase the frequency reference. <i>Refer to Setting the Frequency Reference while in the Drive Mode on page 114</i> . Increase the frequency in increments of 10 Hz, verifying smooth operation at all speeds. For each frequency, check the drive output current using monitor U1-03. The current should be well below the motor rated current.	—

Step		Display/Result
7. The drive should operate normally. Press  to stop the motor. RUN flashes during deceleration to stop until the motor comes to a complete stop.	→	  Off → On

# 4.9 Test Run with Load Connected

---

## ◆ Test Run with the Load Connected

After performing a no-load test run, connect the motor and proceed to run the motor and load together.

### ■ Precautions for Connected Machinery

**WARNING!** *Sudden Movement Hazard. Clear all personnel from the drive, motor, and machine area before applying power. System may start unexpectedly upon application of power, causing death or serious injury.*

**WARNING!** *Sudden Movement Hazard. Always check the operation of any fast stop circuits after they are wired. Fast stop circuits are required to provide safe and quick shutdown of the drive. Prepare to initiate an emergency stop during the test run. Operating a drive with untested emergency circuits could result in death or serious injury.*

- The motor should come to a complete stop without problems.
- Connect the load and machinery to the motor.
- Fasten all installation screws properly and check that the motor and connected machinery are held in place.

### ■ Checklist Before Operation

- The motor should rotate in the proper direction.
- The motor should accelerate and decelerate smoothly.

### ■ Operating the Motor under Loaded Conditions

Test run the application similarly to the no-load test procedure when connecting the machinery to the motor.

- Monitor U1-03 for overcurrent during operation.
- If the application permits running the load in the reverse direction, change the motor direction and the frequency reference while watching for abnormal motor oscillation or vibration.
- Correct any problems that occur with hunting, oscillation, and other control-related issues.

## 4.10 Verifying Parameter Settings and Backing Up Changes

Use the Verify Menu to check all changes to parameter settings. *Refer to Verifying Parameter Changes: Verify Menu on page 116.*

Save the verified parameter settings. Change the access level or set a password to the drive to prevent accidental modification of parameter settings.

### ◆ Backing Up Parameter Values: o2-03

Setting o2-03 to 1 saves all parameter settings before resetting o2-03 to 0. The drive can now recall all the saved parameters by performing a User Initialization (A1-03 = 1110).

No.	Parameter Name	Description	Setting Range	Default Setting
o2-03	User Defaults	Lets the user create a set of default settings for a User Initialization. 0: Saved/Not Set 1: Set Defaults - Saves current parameter settings as the default values for a User Initialization. 2: Clear All - Clears the currently saved user settings. After saving the user parameter set value, the items of 1110 (User Initialization) are displayed in A1-03 (User Parameter Default Value).	0 to 2	0
A1-03	Initialize Parameters	Selects a method to initialize the parameters. 0: No Initialize 1110: User Initialization (The user must first program and store desired settings using parameter o2-03) 2220: 2-Wire Initialization (parameter initialized prior to shipment) 3330: 3-Wire Initialization 5550: oPE4 Fault reset	0 to 5550	0

### ◆ Parameter Access Level: A1-01



Setting the Access Level for “Operation only” (A1-01 = 0) allows the user to access parameters A1-□□ and U□-□□ only. Other parameters are not displayed.

Setting the Access Level for “User Parameters” (A1-01 = 1) allows the user to access only the parameters that have been previously saved as User Parameters. This is helpful when displaying only the relevant parameters for a specific application.

No.	Parameter Name	Description	Setting Range	Default
A1-01	Access Level Selection	Selects which parameters are accessible via the digital operator. 0: Operation only. A1-01, A1-04, and A1-06 can be set and monitored, and U□-□□ parameters can also be viewed. 1: User Parameters. Only recently changed parameters from application parameters A2-01 to A2-16 and A2-17 to A2-32 can be set and monitored. 2: Advanced Access Level. All parameters can be set and monitored.	0 to 2	2
A2-01 to A2-32	User Parameters 1 to 32	Parameters selected by the user are saved as User Parameters, including recently viewed parameters and parameters specifically selected for quick access. If parameter A2-33 is set to 1, recently viewed parameters will be listed between A2-17 and A2-32. Parameters A2-01 through A2-16 must be manually selected by the user. If A2-33 is set to 0, recently viewed parameters will not be saved to the group of User Parameters. A2-□□ parameters are now available for manual programming.	A1-00 to o4-19	–
A2-33	User Parameter Automatic Selection	0: Parameters A2-01 through A2-32 are reserved for the user to create a group of User Parameters. 1: Save history of recently viewed parameters. Recently edited parameters will be saved to A2-17 through A2-32 for quick access. The most recently changed parameter is saved to A2-17. The second most recently changed parameter is saved to A2-18, etc.	0, 1	1

### ◆ Password Settings: A1-04, A1-05

The user can set a password in parameter A1-05 to restrict access to the drive. The password must be entered to A1-04 to unlock parameter access (i.e., parameter setting A1-04 must match the value programmed into A1-05). The following parameters cannot be viewed or edited until the value entered to A1-04 correctly matches the value set to A1-05: A1-01, A1-02, A1-03, A1-06, and A2-01 through A2-33.

**Note:** Parameter A1-05 is hidden from view. To display A1-05, access parameter A1-04 and press  and  simultaneously.

### ◆ Copy Function

Parameter settings can be copied to another drive to simplify parameter restoration or multiple drive setup. The drive supports the following copy options:

- **LCD Operator (standard in all models)**

The LCD operator used to operate the drive supports copying, importing, and verifying parameter settings. *Refer to o3: Copy Function on page 315* for details.

- **LED Operator**

The optional LED operator also supports copying, importing, and verifying parameter settings. Refer to the manual supplied with the LED operator for instructions.

- **USB Copy Unit and CopyUnitManager**

The copy unit is an external option connected to the drive to copy parameter settings from one drive and save those settings to another drive. Refer to the manual supplied with the USB Copy Unit for instructions.

CopyUnitManager is a PC software tool that allows the user to load parameter settings from the Copy Unit onto a PC, or from the PC onto a Copy Unit. This is useful when managing parameters for various drives or applications. Refer to the manual supplied with CopyUnitManager for instructions.

- **DriveWizard Industrial**

DriveWizard Industrial is a PC software tool for parameter management, monitoring, and diagnosis. DriveWizard Industrial can load, store, and copy drive parameter settings. For details, refer to Help in the DriveWizard Industrial software.



## 4.11 Test Run Checklist

Review the checklist before performing a test run. Check each item that applies.

<input checked="" type="checkbox"/>	No.	Checklist	Page
<input type="checkbox"/>	1	Thoroughly read the manual before performing a test run.	–
<input type="checkbox"/>	2	Turn the power on.	126

Check the items that correspond to the control mode being used.

**WARNING! Sudden Movement Hazard.** Ensure start/stop and safety circuits are wired properly and in the correct state before energizing the drive. Failure to comply could result in death or serious injury from moving equipment. When programmed for 3-Wire control, a momentary closure on terminal S1 may cause the drive to start.

<input checked="" type="checkbox"/>	No.	Checklist	Page
V/f Control (A1-02 = 0) and V/f Control with PG (A1-02 = 1)			
<input type="checkbox"/>	3	Select the best V/f pattern according to the application and motor characteristics.	–
<input type="checkbox"/>	4	Perform Rotational Auto-Tuning for V/f Control if using Energy Saving functions.	130
V/f Control with PG (A1-02 = 1)			
<input type="checkbox"/>	5	Set up the PG feedback parameters correctly and make sure the encoder pulse counting direction is correct.	233
<input type="checkbox"/>	6	Set the proportional gain for ASR speed control to C5-01 and the integral time to C5-02.	199
Open Loop Vector Control (A1-02 = 2) or Closed Loop Vector Control (A1-02 = 3)			
<input type="checkbox"/>	7	Decouple motor shafts and machines when performing Rotational Auto-Tuning.	137
<input type="checkbox"/>	8	Set the Auto-Tuning mode to T1-01 (0 for Rotational Auto-Tuning).	137
<input type="checkbox"/>	9	Enter the following data according to the information listed on the motor nameplate: <ul style="list-style-type: none"> <li>• Motor rated power to T1-02 (kW)</li> <li>• Motor rated voltage to T1-03 (V)</li> <li>• Motor rated current to T1-04 (A)</li> <li>• Motor base frequency to T1-05 (Hz)</li> <li>• Number of motor poles to T1-06</li> <li>• Motor base speed to T1-07 (r/min)</li> </ul>	137
Closed Loop Vector Control (A1-02 = 3)			
<input type="checkbox"/>	10	Set F1-01 and F1-05.	–
<input type="checkbox"/>	11	Set ASR proportional gain to C5-01 and ASR integral time to C5-02. Perform ASR Tuning if possible.	199
Open Loop Vector Control for PM (A1-02 = 5)			
<input type="checkbox"/>	12	Perform Auto-Tuning as described.	139
Advanced Open Loop Vector Control for PM (A1-02 = 6)			
<input type="checkbox"/>	13	Perform Auto-Tuning as described.	139
<input type="checkbox"/>	14	Set the proportional gain for ASR speed control to C5-01 and the integral time to C5-02.	199
Closed Loop Vector Control for PM (A1-02 = 7)			
<input type="checkbox"/>	15	Set PM motor data using E5-□□ parameters.	139
<input type="checkbox"/>	16	Set ASR proportional gain to C5-01 and ASR integral time to C5-02. Perform ASR Tuning if possible.	199
<input type="checkbox"/>	17	Set F1-01 and F1-05.	–
<input type="checkbox"/>	18	Set the offset between the rotor magnetic axis and the Z-pulse of the connected encoder to E5-11.	139
<input type="checkbox"/>	19	The <b>DRV</b> should be displayed on the LCD operator after giving a Run command.	–
<input type="checkbox"/>	20	To give Run command and frequency reference from the digital operator, press “LO/RE” key to set to LOCAL.	118
<input type="checkbox"/>	21	If the motor rotates in the opposite direction during test run, switch two of U/T1, V/T2, W/T3, or change b1-14.	126
<input type="checkbox"/>	22	In accordance with load condition, set Heavy Duty or Normal Duty mode using parameter C6-01. Normal Duty is the default setting.	–
<input type="checkbox"/>	23	Set motor rated current (E2-01, E4-01, E5-03) and motor protection (L1-01) values for motor thermal protection.	–
<input type="checkbox"/>	24	Set the drive for REMOTE when control circuit terminals provide the Run command and frequency reference.	118

## 4.11 Test Run Checklist

<input checked="" type="checkbox"/>	No.	Checklist	Page
<input type="checkbox"/>	25	If the control circuit terminals should supply the frequency reference, select the correct voltage input signal level (0 to 10 V or -10 to +10 V) or the correct current input signal level (4 to 20 mA or 0 to 20 mA).	158
<input type="checkbox"/>	26	Apply the proper signal level to terminals A1 and A3 (0 to 10 V or -10 to +10 V).	-
<input type="checkbox"/>	27	Apply the proper signal level (-10 to +10 V, 4 to 20 mA or 0 to 20 mA) to terminal A2.	-
<input type="checkbox"/>	28	When current input is used, switch the built-in DIP switch S1 from the V-side to I-side. Set the level for current signal used to H3-09 (set "2" for 4 to 20 mA, or "3" for 0 to 20 mA).	-
<input type="checkbox"/>	29	Set DIP Switch S1 on the drive to "I" when using terminal A2 as current input. Set DIP Switch S1 on the drive to "V" when using terminal A2 as voltage input.	-
<input type="checkbox"/>	30	If an analog input supplies the frequency reference, make sure it produces the desired frequency reference. Make the following adjustments if the drive does not operate as expected: Gain adjustment: Set the maximum voltage/current signal and adjust the analog input gain (H3-03 for A1, H3-11 for A2, H3-07 for A3) until the frequency reference value reaches the desired value. Bias adjustment: Set the minimum voltage/current signal and adjust the analog input bias (H3-04 for A1, H3-12 for A2, H3-08 for A3) until the frequency reference value reaches the desired minimum value.	-

## Parameter Details

---

5.1	A: INITIALIZATION.....	152
5.2	B: APPLICATION.....	158
5.3	C: TUNING.....	191
5.4	D: REFERENCE SETTINGS.....	205
5.5	E: MOTOR PARAMETERS.....	220
5.6	F: OPTION SETTINGS.....	233
5.7	H: TERMINAL FUNCTIONS.....	246
5.8	L: PROTECTION FUNCTIONS.....	278
5.9	N: SPECIAL ADJUSTMENTS.....	303
5.10	O: OPERATOR RELATED SETTINGS.....	312
5.11	U: MONITOR PARAMETERS.....	319

## 5.1 A: Initialization

The initialization group contains parameters associated with initial drive setup, including parameters involving the display language, access levels, initialization, and password.

### ◆ A1: Initialization

#### ■ A1-00: Language Selection

Selects the display language for the digital operator.

**Note:** This parameter is not reset when the drive is initialized using parameter A1-03.

No.	Parameter Name	Setting Range	Default
A1-00	Language Selection	0 to 7	0

**Setting 0: English**

**Setting 1: Japanese**

**Setting 2: German**

**Setting 3: French**

**Setting 4: Italian**

**Setting 5: Spanish**

**Setting 6: Portuguese**

**Setting 7: Chinese**

#### ■ A1-01: Access Level Selection

Allows or restricts access to drive parameters.

No.	Parameter Name	Setting Range	Default
A1-01	Access Level Selection	0 to 2	2

**Setting 0: Operation only**

Access to only parameters A1-01, A1-04, and all U monitor parameters.

**Setting 1: User Parameters**

Access to only a specific list of parameters set to A2-01 through A2-32. These User Parameters can be accessed using the Setup Mode of the digital operator.

**Setting 2: Advanced Access Level (A) and Setup Access Level (S)**

All parameters can be viewed and edited.

#### Notes on Parameter Access

- If the drive parameters are password protected by A1-04 and A1-05, parameters A1-00 through A1-03, A1-06, and all A2 parameters cannot be modified.
- If a digital input terminal programmed for “Program lockout” (H1-□□ = 1B) is enabled, parameter values cannot be modified, even if A1-01 is set to 1 or 2.
- If parameters are changed via serial communication, it will not be possible to edit or change parameter settings with the digital operator until an Enter command is issued to the drive from the serial communication.

#### ■ A1-02: Control Method Selection

Selects the Control Method (also referred to as the control mode) that the drive uses to operate the motor. Parameter A1-02 determines the control mode for motor 1 when the drive is set up to run two motors.

**Note:** When changing control modes, all parameter settings depending upon the setting of A1-02 will be reset to the default.

No.	Parameter Name	Setting Range	Default
A1-02	Control Method Selection	0, 1, 2, 3, 5, 6, 7	0

### Control Modes for Induction Motors (IM)

#### Setting 0: V/f Control for Induction Motors

Use this mode for simple speed control and for multiple motor applications with low demands to dynamic response or speed accuracy. This control mode is also used when the motor parameters are unknown and Auto-Tuning cannot be performed. The speed control range is 1:40.

#### Setting 1: V/f Control with PG Speed Feedback

Use this mode for general-purpose applications that require high speed accuracy but do not require high dynamic response. This control mode is also used when the motor parameters are unknown and Auto-Tuning cannot be performed. The speed control range is 1:40.

#### Setting 2: Open Loop Vector Control

Use this mode for general, variable-speed applications with a speed control range of 1:200 that require precise speed control, quick torque response, and high torque at low speed without using a speed feedback signal from the motor.

#### Setting 3: Closed Loop Vector Control

Use this mode for general, variable-speed applications that require precise speed control down to zero speed, quick torque response or precise torque control, and a speed feedback signal from the motor. The speed control range is up to 1:1500.

### Control Modes for Permanent Magnet Motors (SPM or IPM)

#### Setting 5: Open Loop Vector Control for PM

Use this mode for general, variable-speed applications with low demands on dynamic response or speed accuracy. The drive can control an SPM or IPM motor with a speed range of 1:20 in this control mode.

#### Setting 6: Advanced Open Loop Vector Control for PM

Use this mode for general, variable speed applications that require precise speed control and torque limit. Set High Frequency Injection parameter n8-57 to 1 to achieve a speed control range as high as 1:100. [Refer to n8-57: High Frequency Injection on page 310](#) for details.

#### Setting 7: Closed Loop Vector Control for PM

Use this mode for high-precision control of a PM motor in constant torque or variable torque applications. The speed control range reaches 1:1500. A speed feedback signal is required.

### ■ A1-03: Initialize Parameters

Resets parameters to default values. After initialization, the setting for A1-03 automatically returns to 0.

No.	Parameter Name	Setting Range	Default
A1-03	Initialize Parameters	0, 1110, 2220, 3330, 5550	0

#### Setting 1110: User Initialize

Resets parameters to the values selected by the user as User Settings. User Settings are stored when parameter o2-03 is set to "1: Set defaults".

**Note:** User Initialization resets all parameters to a user-defined set of default values previously saved to the drive. Set parameter o2-03 to 2 to clear the user-defined default values.

#### Setting 2220: 2-Wire Initialization

Resets parameters to default settings with digital inputs S1 and S2 configured as Forward run and Reverse run, respectively. [Refer to Setting 40, 41: Forward Run, Reverse Run Command for 2-Wire Sequence on page 253](#) for more information on digital input functions.

#### Setting 3330: 3-Wire Initialization

Resets parameters to default settings with digital inputs S1, S2, and S5 configured as Run, Stop, and Forward/Reverse respectively. [Refer to Setting 0: 3-Wire Sequence on page 247](#) for more information on digital input functions.

#### Setting 5550: oPE04 Reset

An oPE04 error appears on the digital operator when a terminal block with settings saved to its built-in memory is installed in a drive that has edited parameters. Set A1-03 to 5550 to use the parameter settings saved to the terminal block memory.

## 5.1 A: Initialization

### Notes on Parameter Initialization

The parameters shown in [Table 5.1](#) will not be reset when the drive is initialized by setting A1-03 = 2220 or 3330. Although the control mode in A1-02 is not reset when A1-03 is set to 2220 or 3330, it may change when an application preset is selected.

**Table 5.1 Parameters Not Changed by Drive Initialization**

No.	Parameter Name
A1-00	Language Selection
A1-02	Control Method Selection
E1-03	V/f Pattern Selection
E5-01	Motor Code Selection (for PM Motors)
E5-02	Motor Rated Power (for PM Motors)
E5-03	Motor Rated Current (for PM Motors)
E5-04	Number of Motor Poles (for PM Motors)
E5-05	Motor Stator Resistance (r1) (for PM Motors)
E5-06	Motor d-Axis Inductance (Ld) (for PM Motors)
E5-07	Motor d-Axis Inductance (Lq) (for PM Motors)
E5-09	Motor Induction Voltage Constant 1 (Ke) (for PM Motors)
E5-24	Motor Induction Voltage Constant 2 (Ke) (for PM Motors)
F6-□□/□□/□□	Communication Parameters (Initialized when F6-08 = 1)
L8-35	Installation Method Selection
o2-04	Drive Model Selection

### ■ A1-04, A1-05: Password and Password Setting

Parameter A1-04 enters the password when the drive is locked; parameter A1-05 is a hidden parameter that sets the password.

No.	Parameter Name	Setting Range	Default
A1-04	Password	0000 to 9999	0000
A1-05	Password Setting		

### How to Use the Password

The user can set a password in parameter A1-05 to restrict access to the drive. The password must be entered to A1-04 to unlock parameter access (i.e., parameter setting A1-04 must match the value programmed into A1-05). The following parameters cannot be viewed or edited until the value entered to A1-04 correctly matches the value set to A1-05: A1-01, A1-02, A1-03, A1-06, and A2-01 through A2-33.

The instructions below demonstrate how to set password “1234”. An explanation follows on how to enter that password to unlock the parameters.

**Table 5.2 Setting the Password for Parameter Lock**

Step	Display/Result
1. Turn on the power to the drive. The initial display appears.	
2. Press  until the Parameter Setting Mode screen appears.	
3. Press  to enter the parameter menu tree.	


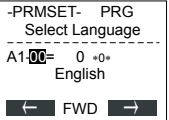

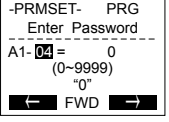



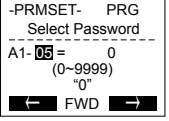

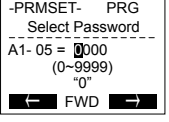





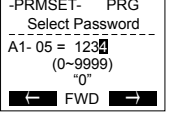


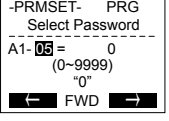
Step		Display/Result
4.	Select the flashing digits by pressing  .	
5.	Select A1-04 by pressing  .	
6.	Press  while holding down  at the same time. A1-05 will appear. <b>Note:</b> A1-05 is hidden and will not display by pressing only  .	
7.	Press  .	
8.	Use  ,  ,  ,  and  to enter the password.	
9.	Press  to save what was entered.	
10.	The display automatically returns to the display shown in step 6.	

Table 5.3 Check if A1-02 is Locked (continuing from step 10 above)


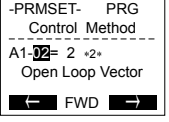


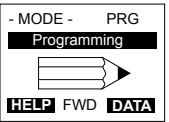

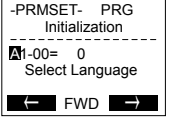

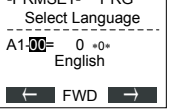

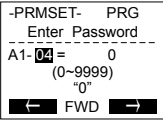






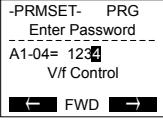


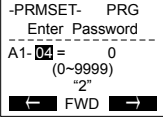

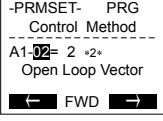

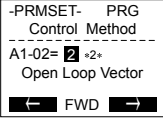


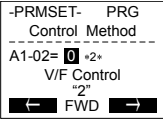


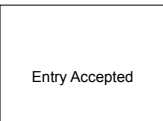
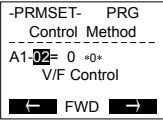
Step		Display/Result
1.	Press  to display A1-02.	
2.	Press  , making sure that the setting values cannot be changed.	—
3.	Press  to return to the first display.	

Table 5.4 Enter the Password to Unlock Parameters (continuing from step 3 above)

Step		Display/Result
1.	Press  to enter the parameter setup display.	
2.	Press  to select the flashing digits as shown.	

## 5.1 A: Initialization

Step		Display/Result
3.	Press  to scroll to A1-04.	
4.	Press  key. Use  ,  ,  ,  , and  to enter the password.	
5.	Press  to save the new password.	
6.	Drive returns to the parameter display.	
7.	Press  and scroll to A1-02.	
8.	Press  to display the value set to A1-02.	
9.	Use  and  to change the value if desired (though changing the control mode at this point is not typically done).	
10.	Press  to save the setting, or press  to return to the previous display without saving changes.	
11.	The display automatically returns to the parameter display.	

- Note:**
1. Parameter settings can be edited after entering the correct password.
  2. Performing a 2-Wire or 3-Wire initialization resets the password to “0000”.

### ■ A1-06: Application Preset

Several Application Presets are available to facilitate drive setup for commonly used applications. Selecting one of these Application Presets automatically assigns functions to the input and output terminals and sets a predefined group of parameters to values appropriate for the selected application.

In addition, the parameters most likely to be changed are assigned to the group of User Parameters, A2-01 through A2-16. User Parameters are part of the Setup Group, which provides quicker access by eliminating the need to scroll through multiple menus.

[Refer to Application Selection on page 127](#) for details on parameter A1-06.

### ■ A1-07: DriveWorksEZ Function Selection

Enables and disables the DriveWorksEZ program inside the drive.



DriveWorksEZ is a software package for customizing drive functionality or adding PLC functionality by the interconnection and configuration of basic software function blocks. The drive performs user-created programs in 1 ms cycles.

- Note:**
1. If DriveWorksEZ has assigned functions to any of the multi-function output terminals, those functions will remain set to those terminals even after disabling DriveWorksEZ.
  2. For more information on DriveWorksEZ, contact a Yaskawa representative.

No.	Parameter Name	Setting Range	Default
A1-07	DriveWorksEZ Function Selection	0 to 2	0

**Setting 0: DWEZ disabled**

**Setting 1: DWEZ enabled**

**Setting 2: Digital input**

If a digital input is programmed for DWEZ enable/disable (H1-□□ = 9F), DWEZ will be enabled when the input is opened.

## ◆ A2: User Parameters

### ■ A2-01 to A2-32: User Parameters 1 to 32

The user can select up to 32 parameters and assign them to parameters A2-01 through A2-32 to provide quicker access by eliminating the need to scroll through multiple menus. The User Parameter list can also save the most recently edited parameters.

No.	Parameter Name	Setting Range	Default
A2-01 to A2-32	User Parameters 1 to 32	b1-01 to o4-19	Determined by A1-06 <1>

<1> A1-06 determines how parameters edited by the user are saved to the list of User Parameters, A2-01 through A2-32. [Refer to Application Selection on page 127](#) for details.

#### Saving User Parameters

To save specific parameters to A2-01 through A2-32, set parameter A1-01 to 2 to allow access to all parameters, then enter the parameter number to one of the A2-□□ parameters to assign it to the list of User Parameters. Finally, set A1-01 to 1 to restrict access so users can only set and refer to the parameters saved as User Parameters.

### ■ A2-33: User Parameter Automatic Selection

Determines whether recently edited parameters are saved to the second half of the User Parameters (A2-17 to A2-32) for quicker access.

No.	Parameter Name	Setting Range	Default
A2-33	User Parameter Automatic Selection	0, 1	Determined by A1-06

#### Setting 0: Do not save list of recently edited parameters

Set A2-33 to 0 to manually select the parameters listed in the User Parameter group.

#### Setting 1: Save list of recently edited parameters

Set A2-33 to 1 to automatically save recently edited parameters to A2-17 through A2-32. A total of 16 parameters are saved with the most recently edited parameter set to A2-17, the second most recently to A2-18, and so on. Access the User Parameters using the Setup Mode of the digital operator.

## 5.2 b: Application

### ◆ b1: Operation Mode Selection

#### ■ b1-01: Frequency Reference Selection 1

Selects the frequency reference source 1 for the REMOTE mode.

- Note:**
1. If a Run command is input to the drive but the frequency reference entered is 0 or below the minimum frequency, the RUN indicator LED on the digital operator will light and the STOP indicator will flash. However, the RUN indicator LED will light in zero speed control when A1-02 is set to 3, 4, or 6.
  2. Press the LO/RE key to set the drive to LOCAL and use the operator keypad to enter the frequency reference.

No.	Parameter Name	Setting Range	Default
b1-01	Frequency Reference Selection 1	0 to 4	1

#### Setting 0: Operator keypad

Using this setting, the frequency reference can be input by:

- switching between the multi-speed references in the d1-□□ parameters.
- entering the frequency reference on the operator keypad.

#### Setting 1: Terminals (analog input terminals)

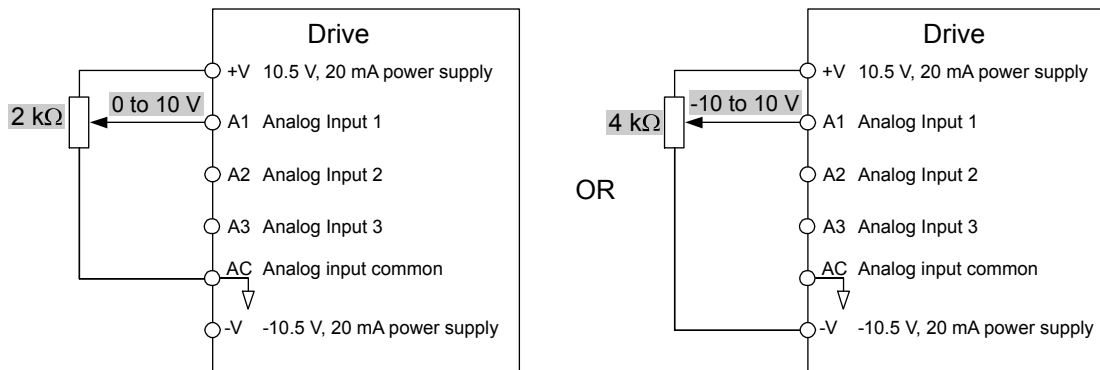
Using this setting, an analog frequency reference can be entered as a voltage or current signal from terminals A1, A2, or A3.

##### Voltage Input

Voltage input can be used at any of the three analog input terminals. Make the settings as described in [Table 5.5](#) for the input used.

**Table 5.5 Analog Input Settings for Frequency Reference Using Voltage Signals**

Terminal	Signal Level	Parameter Settings				Notes
		Signal Level Selection	Function Selection	Gain	Bias	
A1	0 to 10 Vdc	H3-01 = 0	H3-02 = 0 (Frequency Reference Bias)	H3-03	H3-04	-
	-10 to +10 Vdc	H3-01 = 1				
A2	0 to 10 Vdc	H3-09 = 0	H3-10 = 0 (Frequency Reference Bias)	H3-11	H3-12	Set DIP switch S1 on the terminal board to "V" for voltage input.
	-10 to +10 Vdc	H3-09 = 1				
A3	0 to 10 Vdc	H3-05 = 0	H3-06 = 0 (Frequency Reference Bias)	H3-07	H3-08	Set DIP switch S4 on the terminal board to "AI".
	-10 to +10 Vdc	H3-05 = 1				



**Figure 5.1 Setting the Frequency Reference as a Voltage Signal at Terminal A1**

Use the wiring example shown in the figure above for any other analog input terminals. When using input A2 make sure DIP switch S1 is set for voltage input.

##### Current Input

Input terminal A2 can accept a current input signal. Refer to [Table 5.6](#) to set terminal A2 for current input.

Table 5.6 Analog Input Settings for Frequency Reference Using a Current Signal

Terminal	Signal Level	Parameter Settings				Notes
		Signal Level Selection	Function Selection	Gain	Bias	
A2	4 to 20 mA	H3-09 = 2	H3-10 = 0 (Frequency Bias)	H3-11	H3-12	Make sure to set DIP switch S1 on the terminal board to "I" for current input.
	0 to 20 mA	H3-09 = 3				

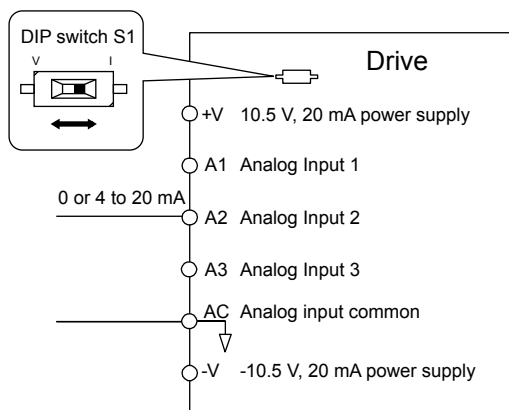


Figure 5.2 Setting the Frequency Reference as a Current Signal to Terminal A2

### Switching between Main/Auxiliary Frequency References

The frequency reference input can be switched between the analog terminals A1, A2, and A3 using multi-speed inputs. [Refer to Multi-Step Speed Selection on page 205](#) for details on using this function.

### Setting 2: MEMOBUS/Modbus Communications

This setting requires entering the frequency reference via the RS-485/RS-422 serial communications port (control terminals R+, R-, S+, S-). [Refer to MEMOBUS/Modbus Configuration on page 560](#) for instructions.

### Setting 3: Option card

This setting requires entering the frequency reference via an option board plugged into connector CN5-A on the drive control board. Consult the option board manual for instructions on integrating the drive with the communication system.

**Note:** If the frequency reference source is set for Option PCB (b1-01 = 3), but an option board is not installed, an oPE05 operation error will be displayed on the digital operator and the drive will not run.

### Setting 4: Pulse Train Input

This setting requires a pulse train signal to terminal RP to provide the frequency reference. Follow the directions below to verify that the pulse signal is working properly.

### Verifying the Pulse Train is Working Properly

- Set b1-01 to 4 and set H6-01 to 0.
- Set the H6-02 to the pulse train frequency value that equals 100% of the frequency reference.
- Enter a pulse train signal to terminal RP and check for the correct frequency reference on the display.

### ■ b1-02: Run Command Selection 1

Determines the Run command source 1 in the REMOTE mode.

No.	Parameter Name	Setting Range	Default
b1-02	Run Command Selection 1	0 to 3	1

### Setting 0: Operator

This setting requires entering the Run command via the digital operator RUN key and also illuminates the LO/RE indicator on the digital operator.

### Setting 1: Control Circuit Terminal

This setting requires entering the Run command via the digital input terminals using one of following sequences:

- 2-Wire sequence 1:

## 5.2 b: Application

Setting A1-03 to 2220 initializes the drive and presets terminals S1 and S2 to FWD/Stop and REV/Stop. These are the default settings of the drive. *Refer to Setting 40, 41: Forward Run, Reverse Run Command for 2-Wire Sequence on page 253.*

- 2-Wire sequence 2:

Two inputs (Start/Stop-FWD/REV). *Refer to Setting 42, 43: Run and Direction Command for 2-Wire Sequence 2 on page 254.*

- 3-Wire sequence:

Setting A1-03 to 3330 initializes the drive and presets terminals S1, S2, and S5 to Start, Stop, and FWD/REV. *Refer to Setting 0: 3-Wire Sequence on page 247.*

### Setting 2: MEMOBUS/Modbus Communications

This setting requires entering the Run command via serial communications by connecting the RS-485/RS-422 serial communication cable to control terminals R+, R-, S+, and S- on the removable terminal block. *Refer to MEMOBUS/Modbus Configuration on page 560* for instructions.

### Setting 3: Option Card

This setting requires entering the Run command via the communication option board by plugging a communication option board into the CN5-A port on the control PCB. Refer to the option board manual for instructions on integrating the drive into the communication system.

**Note:** If b1-02 is set to 3, but an option board is not installed in CN5-A, an oPE05 operation error will be displayed on the digital operator and the drive will not run.

## ■ b1-03: Stopping Method Selection

Selects how the drive stops the motor when the Run command is removed or when a Stop command is entered.

No.	Parameter Name	Setting Range	Default
b1-03	Stopping Method Selection	0 to 3 <1>	0

<1> The setting range is 0, 1, or 3 in CLV, OLV/PM, AOLV/PM, and CLV/PM.

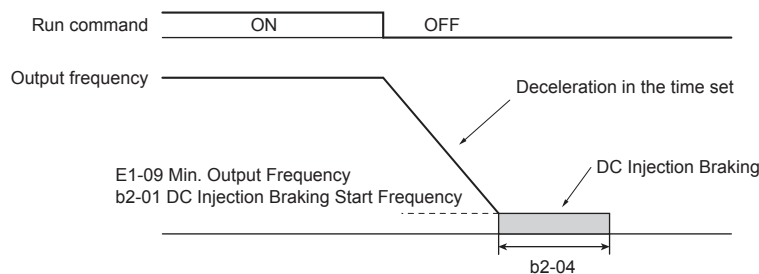
### Setting 0: Ramp to Stop

When the Run command is removed, the drive will decelerate the motor to stop. The deceleration rate is determined by the active deceleration time. The default deceleration time is set to parameter C1-02.

When the output frequency falls below the level set in parameter b2-01, the drive will start DC injection or Zero Speed Control, depending on the selected control mode. *Refer to b2-01: DC Injection Braking Start Frequency on page 167* for details.

### V/f, V/f w/PG and OLV (A1-02 = 0, 1, 2)

For these control modes, parameter b2-01 sets the starting frequency for DC Injection Braking at Stop. When the output frequency falls below the setting of b2-01, DC Injection Braking is enabled for the time set in parameter b2-04.

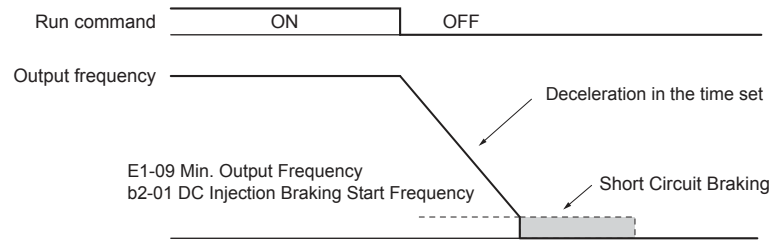


**Figure 5.3 DC Injection Braking at Stop for V/f, V/f w/PG, and OLV**

**Note:** If b2-01 is set to a smaller value than E1-09 (Minimum Output Frequency), then DC Injection Braking will begin when the frequency falls to the E1-09 value.

### OLV/PM and AOLV/PM (A1-02 = 5, 6)

When the output frequency falls below the setting of b2-01, drive output is shut down, and DC Injection Braking is performed for the time set in b2-04.

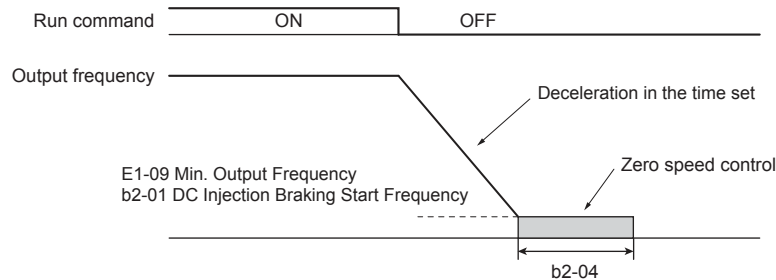


**Figure 5.4 Coast to Stop (OLV/PM and AOLV/PM)**

**Note:** If b2-01 is set to a smaller value than E1-09 (Minimum Output Frequency), then DC Injection Braking will begin when the frequency falls to the E1-09 value.  
The drive will not perform short-circuit braking when b2-01 = E1-09 = 0 Hz.

### CLV and CLV/PM (A1-02 = 3, 7)

For these control modes, parameter b2-01 sets the starting frequency for Zero Speed Control (not position lock) at Stop. When the output frequency falls below the setting of b2-01, Zero Speed Control is enabled for the time set in parameter b2-04.

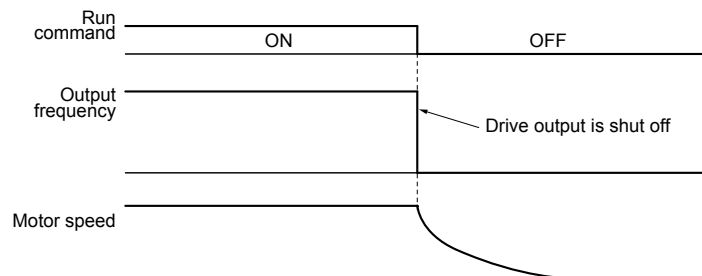


**Figure 5.5 Zero Speed Control at Stop in CLV and CLV/PM**

**Note:** If b2-01 is set to lower than E1-09 (Minimum Output Frequency), then Zero Speed Control begins at the frequency set to E1-09.

### Setting 1: Coast to Stop

When the Run command is removed, the drive will shut off its output and the motor will coast (uncontrolled deceleration) to stop. The stopping time is determined by the inertia and the friction in the driven system.



**Figure 5.6 Coast to Stop**

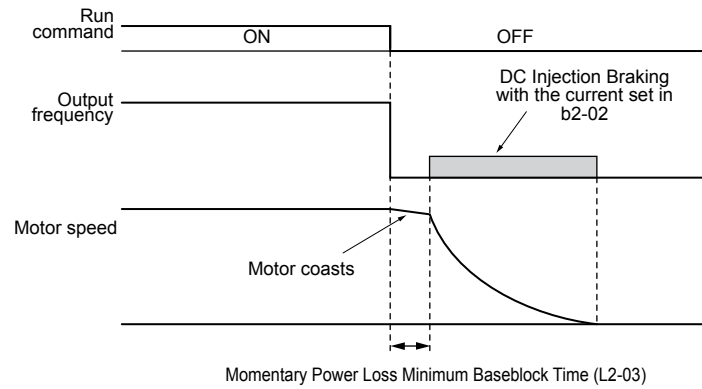
**Note:** After a stop is initiated, any subsequent Run command entered will be ignored until the minimum baseblock time (L2-03) has expired. Do not enter Run command until it has come to a complete stop. Use DC Injection at Start ([Refer to b2-03: DC Injection Braking Time at Start on page 168](#)) or Speed Search ([Refer to b3: Speed Search on page 168](#)) to restart the motor before it has completely stopped.

### Setting 2: DC Injection Braking to Stop

When the Run command is removed, the drive will enter baseblock (turn off its output) for the momentary power loss minimum baseblock time (L2-03). When the minimum baseblock time has expired, the drive will inject the amount DC Injection Braking is set in parameter b2-02 into the motor windings to brake the motor. The stopping time in DC Injection Braking to Stop is significantly faster compared to Coast to Stop.

**Note:** This function is not available in CLV (A1-02 = 3) or in control modes for PM motors (A1-02 = 5, 6, 7).

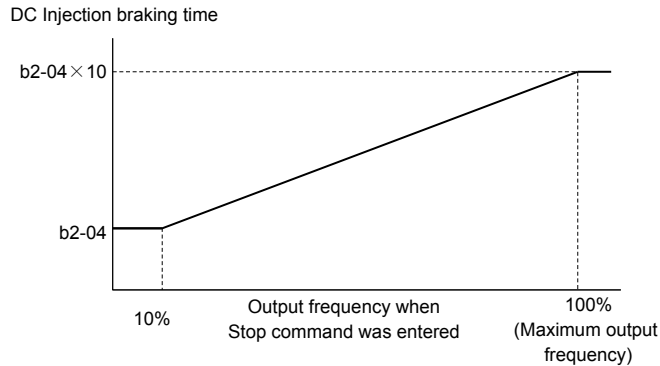
## 5.2 b: Application



**Figure 5.7 DC Injection Braking to Stop**

DC Injection Braking time is determined by the value set to b2-04 and the output frequency at the time the Run command is removed. It can be calculated by:

$$\text{DC Injection brake time} = \frac{(\text{b2-04}) \times 10 \times \text{Output frequency}}{\text{Max. output frequency (E1-04)}}$$

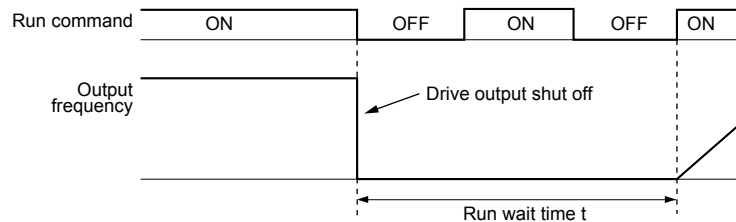


**Figure 5.8 DC Injection Braking Time Depending on Output Frequency**

**Note:** If an overcurrent (oC) fault occurs during DC Injection Braking to Stop, lengthen the momentary power loss minimum baseblock time (L2-03) until the fault no longer occurs.

### Setting 3: Coast to Stop with Timer

When the Run command is removed, the drive will turn off its output and the motor will coast to stop. The drive will not start if a Run command is input before the time t (C1-02) has expired. Cycle the Run command that was activated during time t after t has expired to start the drive.



**Figure 5.9 Coast to Stop with Timer**

The wait time t is determined by the output frequency when the Run command is removed and by the active deceleration time.

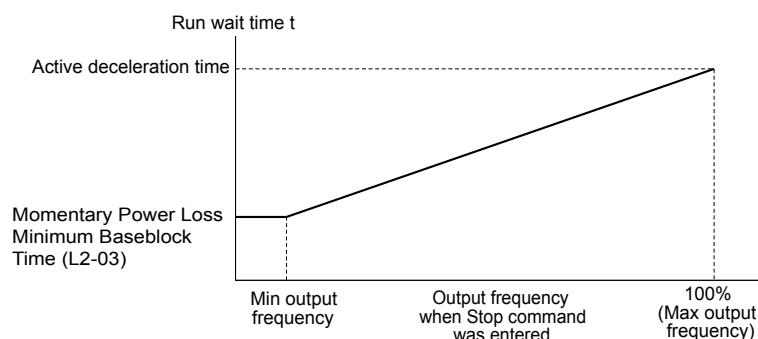


Figure 5.10 Run Wait Time Depending on Output Frequency

### ■ b1-04: Reverse Operation Selection

Enables and disables Reverse operation. For some applications, reverse motor rotation is not appropriate and may cause problems (e.g., air handling units, pumps, etc.).

No.	Parameter Name	Setting Range	Default
b1-04	Reverse Operation Selection	0, 1	0

#### Setting 0: Reverse operation enabled

Possible to operate the motor in both forward and reverse directions.

#### Setting 1: Reverse operation disabled

Drive disregards a Reverse run command or a negative frequency reference.

### ■ b1-05: Action Selection below Minimum Output Frequency (CLV and CLV/PM)

Sets the operation when the frequency reference is lower than the minimum output frequency set in parameter E1-09.

No.	Parameter Name	Setting Range	Default
b1-05	Action Selection below Minimum Output Frequency	0 to 3	0

#### Setting 0: Follow the Frequency Reference

The drive adjusts the motor speed following the speed reference, even if the frequency reference is below the setting of parameter E1-09. When the Run command is removed and the motor speed is smaller than the setting of b2-01, Zero Speed Control (not position lock) is performed for the time set in parameter b2-04 before the drive output shuts off.

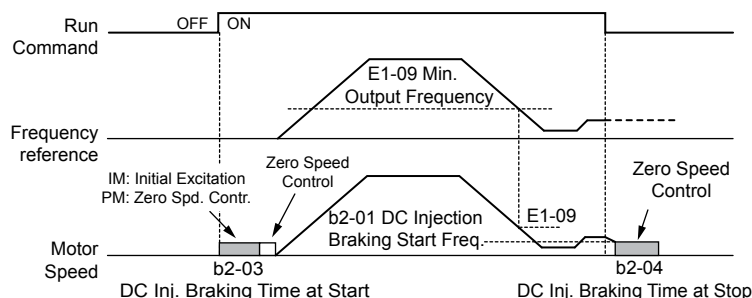


Figure 5.11 Run at the Frequency Reference

#### Setting 1: Coast to Stop

The motor starts when the frequency reference exceeds the parameter E1-09 setting. When the motor is running and the frequency reference falls below E1-09, the drive output shuts off and the motor coasts. When the motor speed falls below the zero speed level set in b2-01, Zero Speed Control is activated for the time set in b2-04.

## 5.2 b: Application

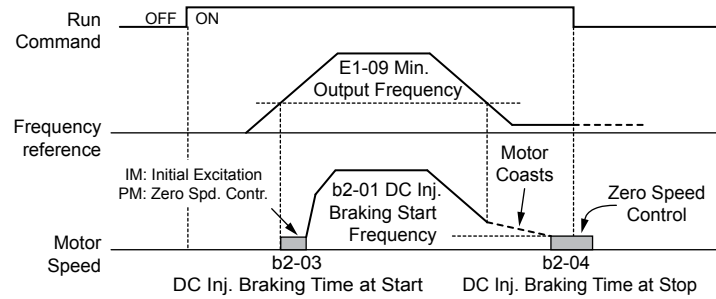


Figure 5.12 Coast to Stop

### Setting 2: Run at the Minimum Frequency

When a Run command is active and the frequency reference is smaller than the parameter E1-09 setting, the drive runs the motor at the speed set in E1-09. When the Run command is removed, the drive decelerates the motor. As soon as the motor speed reaches the zero speed level set in b2-01, Zero Speed Control is activated for the time set in b2-04.

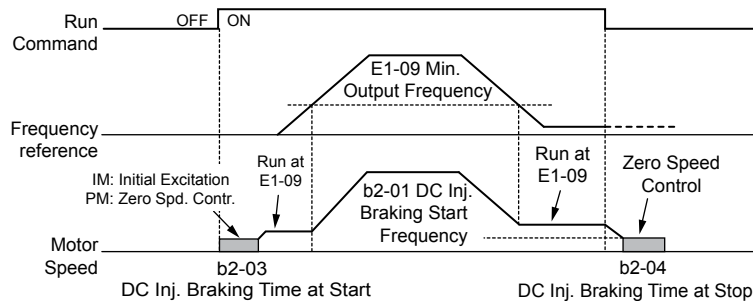


Figure 5.13 Run at the Minimum Frequency

### Setting 3: Zero Speed Control

The drive applies Zero Speed Control whenever the frequency reference setting is below the value of parameter E1-09. When the Run command is removed, Zero Speed Control is activated for the time set in b2-04, even if it was already active before.

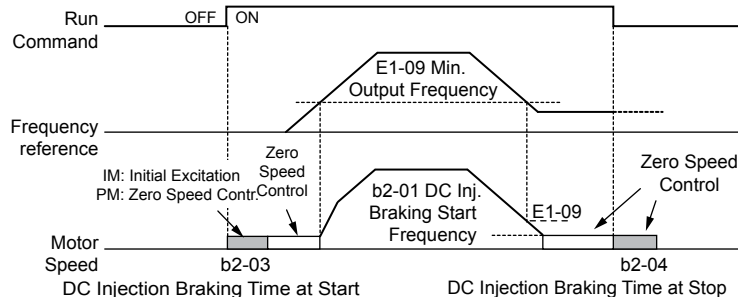


Figure 5.14 Zero Speed Control

## ■ b1-06: Digital Input Reading

Defines how the digital inputs are read. The inputs are acted upon every 1 ms or 2 ms depending upon the setting.

No.	Name	Setting Range	Default
b1-06	Digital Input Reading	0, 1	1

### Setting 0: Read once (1 ms scan)

The state of a digital input is read once. If the state has changed, the input command is immediately processed. With this setting the drive responds more quickly to digital inputs, but a noisy signal could cause erroneous operation.

### Setting 1: Read twice (2 ms scan)

The state of a digital input is read twice. The input command is processed only if the state does not change during the double reading. This reading process is slower than the “Read once” process, but it is more resistant to noisy signals.



### ■ b1-07: LOCAL/REMOTE Run Selection

The drive has three separate control sources that can be switched using digital inputs (H1-□□ = 1 (LOCAL/REMOTE Selection) or 2 (External reference 1/2)) or the LO/RE key on the digital operator. [Refer to Setting 1: LOCAL/REMOTE Selection on page 247](#), [Refer to Setting 2: External Reference 1/2 Selection on page 248](#) and [Refer to o2-01: LO/RE \(LOCAL/REMOTE\) Key Function Selection on page 313](#) for details.

- LOCAL: Digital operator. The digital operator sets the frequency reference and Run command.
- REMOTE: External reference 1. The frequency reference and Run command source are set by b1-01 and b1-02.
- REMOTE: External reference 2. The frequency reference and Run command source are set by b1-15 and b1-16.

When switching from LOCAL to REMOTE, or between External reference 1 and External reference 2, the Run command may already be present at the location at which the source is being switched. In this case, use parameter b1-07 to determine how the Run command is treated.

No.	Parameter Name	Setting Range	Default
b1-07	LOCAL/REMOTE Run Selection	0, 1	0

#### Setting 0: Run command must be cycled

When the Run command source differs between the old source and the new source (e.g., the old source was the terminals and the new source is serial communication), and the Run command is active at the new source as the switchover occurs, the drive will not start or the drive will stop operation if it was previously running. The Run command must be cycled at the new source to restart the drive.

#### Setting 1: Accept Run command at the new source

When the Run command is active at the new source, the drive starts or continues operation if it was previously running.

**WARNING!** Sudden Movement Hazard. The drive may start unexpectedly if switching control sources when b1-07 = 1. Clear all personnel from rotating machinery and electrical connections prior to switching control sources. Failure to comply may cause death or serious injury.

### ■ b1-08: Run Command Selection while in Programming Mode

As a safety precaution, the drive will not normally respond to a Run command input when the digital operator is being used to adjust parameters in Programming Mode (Verify Menu, Setup Mode, Parameter Settings Mode, and Auto-Tuning Mode). If required by the application, set b1-08 to allow the drive to run while in Programming Mode.

No.	Parameter Name	Setting Range	Default
b1-08	Run Command Selection while in Programming Mode	0 to 2	0

#### Setting 0: Disabled

A Run command is not accepted while the digital operator is in Programming Mode.

#### Setting 1: Enabled

A Run command is accepted in any digital operator mode.

#### Setting 2: Prohibit programming during run

It is not possible to enter the Programming Mode as long as the drive output is active. The Programming Mode cannot be displayed during Run.

### ■ b1-14: Phase Order Selection

Sets the phase order for drive output terminals U/T1, V/T2, and W/T3.

Switching motor phases will reverse the direction of the motor.

No.	Parameter Name	Setting Range	Default
b1-14	Phase Order Selection	0, 1	0

#### Setting 0: Standard Phase Order

#### Setting 1: Switched Phase Order (A1-02 = 0, 1, 2, 3, 5, 6)

### ■ b1-15: Frequency Reference Selection 2

Enabled when H1-□□ = 2 and the terminal is closed. [Refer to Setting 2: External Reference 1/2 Selection on page 248](#) and [Refer to b1-02: Run Command Selection 1 on page 159](#) for details.

No.	Parameter Name	Setting Range	Default
b1-15	Frequency Reference Selection 2	0 to 4	0

## 5.2 b: Application

### ■ b1-16: Run Command Selection 2

Enabled when H1-□□ = 2 and the terminal is closed. *Refer to Setting 2: External Reference 1/2 Selection on page 248 and Refer to b1-01: Frequency Reference Selection 1 on page 158* for details.

No.	Parameter Name	Setting Range	Default
b1-16	Run Command Selection 2	0 to 3	0

### ■ b1-17: Run Command at Power Up

Determines whether an external Run command that is active during power up will start the drive.

No.	Parameter Name	Setting Range	Default
b1-17	Run Command at Power Up	0, 1	0

#### Setting 0: Run Command at Power Up Is Not Issued

Cycle the Run command to start the drive.

**Note:** For safety reasons, the drive is initially programmed not to accept a Run command at power up (b1-17 = 0). If a Run command is issued at power up, the AUTO LED will flash quickly.

#### Setting 1: Run Command at Power Up Is Issued

If an external Run command is active when the drive is powered up, the drive will begin operating the motor after the internal start up process is complete.

**WARNING!** Sudden Movement Hazard. If b1-17 is set to 1 and an external Run command is active during power up, the motor will begin rotating as soon as the power is switched on. Proper precautions must be taken to ensure that the area around the motor is safe prior to powering up the drive. Failure to comply may cause serious injury.

### ■ b1-21: Start Condition Selection at Closed Loop Vector Control

Selects a condition to start Closed Loop Vector Control. There is normally no need to change this parameter from the default value.

No.	Parameter Name	Setting Range	Default
b1-21	Start Condition Selection at Closed Loop Vector Control	0 or 1	0

#### Setting 0: Run command is not accepted when $b2-01 \leq \text{motor speed} < E1-09$

#### Setting 1: Run command is accepted when $b2-01 \leq \text{motor speed} < E1-09$

### ■ b1-24: Commercial Power Operation Switching Selection

When the output frequency matches the power supply frequency (60 Hz), the PWM switching operation stops and switches to operation with a direct commercial power supply connection.

- Note:**
1. Switching can be enabled when an inductive motor is being driven in V/f or OLV control modes.
  2. Current value may change when a switch is made.
  3. Verify that the induction motor can be driven with the commercial power supply (e.g., the rated voltage and rated speed) prior to enabling the commercial power switching selection.

No.	Parameter Name	Setting Range	Default
b1-24	Commercial Power Switching Selection	0, 1	0

#### Setting 0: Disabled

A voltage will be output with PWM switching operation regardless of the output frequency.

#### Setting 1: Enabled

When the deviation between the output frequency and the power supply frequency is less than or equal to the commercial power switching output frequency coincidence level (b1-26), the PWM switching operation stops and switches to operation with a direct commercial power supply connection.

Operation with a direct commercial power supply continues until the deviation between the output frequency and the power supply frequency is greater than or equal to the commercial power switching output frequency coincidence/non-coincidence level (b1-25 + b1-26).

### ■ b1-25/b1-26: Commercial Power Switching Output Frequency Coincidence Level/Non-coincidence Level

These parameters set the value in 0.1 Hz increments at which commercial power supply switching selection is enabled and disabled.

When the deviation between the output frequency and the power supply frequency becomes equal to or less than the setting values of b1-25 + b1-26, an output frequency coincidence condition exists. The drive will operate in commercial power switching mode. If the drive will not switch to commercial power supply switching mode, set b1-26.

When the deviation between the output frequency and the power supply frequency becomes equal to or greater than the setting value of b1-25, the drive will operate in PWM switching mode. If commercial power switching mode and PWM switching mode are repeated frequently, increase the setting value of b1-25.

**Note:** The drive will not switch to commercial power switching mode when L3-06, Stall Prevention Level during Run, is exceeded and L3-05, Stall Prevention Selection during Run, is enabled.

No.	Parameter Name	Setting Range	Default
b1-25	Commercial Power Supply Operation Switching Level	0.4 to 6.0 Hz	1.0 Hz
b1-26	Commercial Power Supply Operation Switching Level	0.0 to 3.0 Hz	0.2 Hz

## ◆ b2: DC Injection Braking

b2 parameters determine operation of the DC Injection Braking and Zero Speed Control features.

### ■ b2-01: DC Injection Braking Start Frequency

Active when “Ramp to Stop” is selected as the stopping method (b1-03 = 0).

No.	Name	Setting Range	Default
b2-01	DC Injection Braking Start Frequency	0.0 to 10.0 Hz	Determined by A1-02

The function triggered by parameter b2-01 depends on the control mode that has been selected.

#### OLV/PM, AOLV/PM, V/f, V/f w/PG and OLV (A1-02 = 0, 1, 2, 5, 6)

For these control modes, parameter b2-01 sets the starting frequency for DC Injection Braking at Stop. When the output frequency falls below the setting of b2-01, DC Injection Braking is enabled for the time set in parameter b2-04.

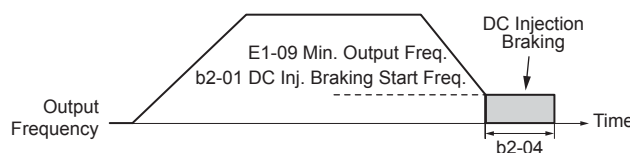


Figure 5.15 DC Injection Braking at Stop for V/f, V/f w/PG, and OLV

**Note:** If b2-01 is set to a smaller value than E1-09 (Minimum Output Frequency), then DC Injection Braking will begin when the frequency falls to the E1-09 value.

#### CLV and CLV/PM (A1-02 = 3, 7)

For these control modes, parameter b2-01 sets the starting frequency for Zero Speed Control (not position lock) at Stop. When the output frequency falls below the setting of b2-01, Zero Speed Control is enabled for the time set in parameter b2-04.

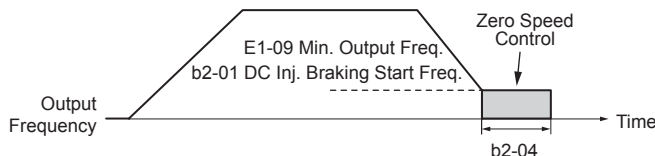


Figure 5.16 Zero Speed Control at Stop in CLV and CLV/PM

**Note:** If b2-01 is set to a smaller value than E1-09 (Minimum Output Frequency), then Zero Speed Control begins at the frequency set to E1-09.

### ■ b2-02: DC Injection Braking Current

Sets the DC Injection Braking current as a percentage of the drive rated current. The carrier frequency is automatically reduced to 4 kHz when this parameter is set to more than 50%.

No.	Name	Setting Range	Default
b2-02	DC Injection Braking Current	0 to 100%	50%

## 5.2 b: Application

The level of DC Injection Braking current affects the strength of the magnetic field attempting to lock the motor shaft. Increasing the current level will increase the amount of heat generated by the motor windings. Do not set this parameter higher than the level necessary to hold the motor shaft.

### ■ b2-03: DC Injection Braking Time at Start

Sets the time of DC Injection Braking (Zero Speed Control in CLV and CLV/PM) at start. Used to stop a coasting motor before restarting it or to apply braking torque at start. Disabled when set to 0.00 s.

No.	Name	Setting Range	Default
b2-03	DC Injection Braking Time at Start	0.00 to 10.00 s	0.00 s

**Note:** Before starting an uncontrolled rotating motor (e.g., a fan motor driven by windmill effect), use DC Injection or Speed Search to stop the motor or detect motor speed before starting it. Otherwise, motor stalling and other faults can occur.

### ■ b2-04: DC Injection Braking Time at Stop

Sets the time of DC Injection Braking (Zero Speed Control in CLV and CLV/PM) at stop. Used to completely stop a motor with high inertia load after ramp down. Increase the value if the motor still coasts by inertia after it should have stopped. Disabled when set to 0.00 s.

No.	Name	Setting Range	Default
b2-04	DC Injection Braking Time at Stop	0.00 to 10.00 s	Determined by A1-02

### ■ b2-08: Magnetic Flux Compensation Value

Sets the magnetic flux compensation at start as a percentage of the no-load current value (E2-03). This function allows for the development of more flux to facilitate starting machines that require high starting torque or motors with a large rotor time constant.

No.	Name	Setting Range	Default
b2-08	Magnetic Flux Compensation Value	0 to 1000%	0%

When a Run command is issued, the DC current level injected into the motor changes linearly from the level set to b2-08 to the level set to E2-03 within the time set to b2-03.

The level of the DC current injected to the motor is limited to 80% of the drive rated current or to the motor rated current, whichever value is smaller.

- Note:**
1. If b2-08 is set below 100%, it can take a relatively long time for flux to develop.
  2. If b2-08 is set to 0%, the DC current level will be the DC Injection current set to b2-02.
  3. As DC Injection can generate a fair amount of noise, b2-08 may need to be adjusted to keep noise levels acceptable.

## ◆ b3: Speed Search

The Speed Search function allows the drive to detect the speed of a rotating motor shaft that is driven by external forces and start the motor operation directly from the detected speed without first stopping the machine.

Example: When a momentary loss of power occurs, the drive output shuts off and the motor coasts. When power returns, the drive can find the speed of the coasting motor and restart it directly.

Enabling Speed Search for PM motors only requires setting parameter b3-01 to 1. The drive offers current detection and speed estimation Speed Search for induction motors. Parameter b3-24 selects the speed search method for induction motors. Both methods and relevant parameters are explained below.

Speed Search start timing differs depending on whether operation is after a momentary power loss (L2-01 = 1 or 2) or after restarting (b3-01 = 1). The operation timing of the Speed Search after a momentary power loss is shown in [Figure 5.17](#). The operation timing after restarting is shown in [Figure 5.18](#).

After restoring power, the Speed Search operation remains in baseblock status for at least the time set in b3-05. However, Speed Search will not start if the time set in L2-03, Minimum Baseblock Time, does not pass after the power stops. When induced voltage remains in the motor, the Speed Search operation starts after the time set in b3-05 without waiting for the time set in L2-03.

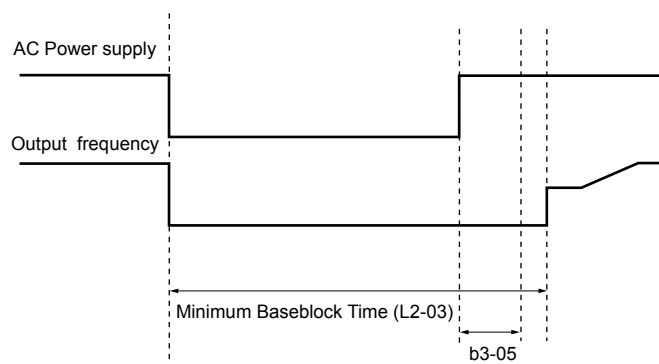


Figure 5.17 Timing Chart for Speed Search after Recovery from Momentary Power Loss

When performing a speed search operation at start, the speed search operation will start after waiting for the longer of the times set in b3-05 and L2-03 after the Run command input is received. When induced voltage remains in the motor, the Speed Search operation starts after the time set in b3-05 without waiting for the time set in L2-03.

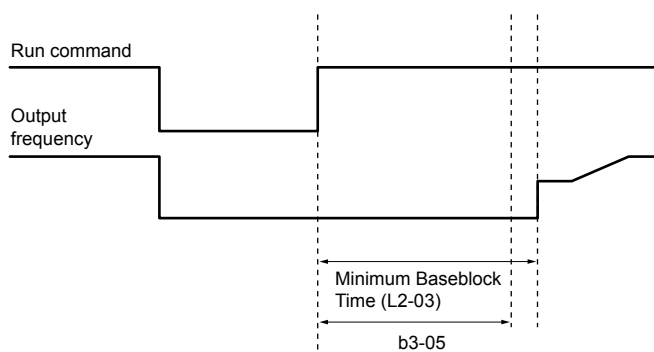


Figure 5.18 Timing Chart for Speed Search at Start

### ■ Current Detection Speed Search 2 (b3-24 = 2)

Current Detection Speed Search 2 is for use with IM motors. The current set in b3-31 is applied and the speed is detected based on the current flow to the motor. After Speed Search is completed, the speed is accelerated or decelerated to the frequency reference. If the output current during the Speed Search operation is larger than the setting value of b3-32, reduce the frequency for the deceleration time set in b3-03. After motor speed estimation is completed, the speed is accelerated or decelerated to the frequency reference.

### ■ Speed Estimation Speed Search (b3-24 = 1)

A Speed Estimation Speed Search estimates the motor speed while the motor is coasting and then restarts operation. After the Speed Search is completed, the speed is accelerated or decelerated to the frequency reference.

This method can be used for a single induction motor connected to a drive. Do not use this method if the motor is one or more frame size smaller than the drive, at motor speeds above 200 Hz, or when using a single drive to operate more than one motor.

#### Notes on Using Speed Estimation Speed Search

- Perform Rotational Auto-Tuning for V/f Control (T1-01 = 3) prior to using Speed Estimation in V/f Control and perform Stationary Auto-Tuning for Line-to-Line Resistance (T1-01 = 2) again if there is a change in the cable length between the drive and motor.
- Use Current Detection Speed Search 2 to search for speeds beyond 200 Hz if the application is running multiple motors from the same drive or if the motor is considerably smaller than the capacity of the drive.
- Speed Estimation may have trouble finding the actual speed if the motor cable is very long. Use Current Detection Speed Search 2 in these instances.
- Use Current Detection Speed Search 2 instead of Speed Estimation when operating motors smaller than 1.5 kW because Speed Estimation might not be able to detect the speed or rotation of these smaller motors, in which case Speed Estimation would stop the motor.

## 5.2 b: Application

### ■ Speed Search Activation

Speed Search can be activated using any of the methods 1 through 5 described below. Select the Speed Search type in parameter b3-24 independent of the activation method.

**Method 1.** Automatically activate Speed Search with every Run command. Set b3-01, Speed Search Selection at Start, to 1 (Enabled). External Speed Search commands are ignored.

**Method 2.** Activate Speed Search using the digital input terminals.

Use the input functions for H1-□□ in [Table 5.7](#).

**Table 5.7 Speed Search Activation by Digital Inputs**

Setting	Description	b3-24 = 1	b3-24 = 2
61	External Search Command 1	Activate Speed Estimation Speed Search	Closed: Activate Current Detection Speed Search from the maximum output frequency (E1-04).
62	External Search Command 2		Closed: Activate Current Detection Speed Search from the frequency reference.

To activate Speed Search by a digital input, the input must be set together with the Run command or the Run command must be entered after giving the Speed Search command.

**Method 3.** After automatic fault restart.

When the number of maximum fault restarts in parameter L5-01 is set higher than 0, the drive will automatically perform Speed Search as specified by b3-24 following a fault.

**Method 4.** After momentary power loss.

This mode requires that the Power Loss Ride-Thru function is enabled during CPU operation (L2-01 = 1 or 2). [Refer to L2-01: Momentary Power Loss Operation Selection on page 283](#).

**Method 5.** After external baseblock is released.

The drive will resume the operation starting with Speed Search if the Run command is present and the output frequency is above the minimum frequency when the Baseblock command (H1-□□ = 8 or 9) is released.

### ■ Rotation Direction Detection Conditions for Backspin

Backspin occurs when the motor rotates in the opposite direction from the rotation direction command. Specify the speed search direction when power is recovered after a momentary power loss in applications in which backspin can occur, such as for an oil pump when backspin may occur due to the weight of the oil after a momentary power loss. The search starts from the rotation direction specified in the direction command when the momentary power loss time is short. The search starts from the opposite direction of the direction specified in the direction command when the momentary power loss time is long. The rotation for the Speed Search is determined as follows:

[t] is the time from the momentary power loss to recovery.

- $0 \leq t < b3-50$ : The search is started in the direction specified by the direction command.
- $b3-50 \leq t < b3-51$ : The motor is not restarted and the baseblock continues.

The search starts from the opposite direction of the direction command when the momentary power loss time exceeds the setting value of b3-51.

- $b3-51 \leq t$ : The search is started in the direction opposite to the direction command.

Refer to b3-50/b3-51 Backspin Search Direction Judgment Time 1/ 2 on page [174](#) for details on the backspin direction judgment time.

- Note:**
1. Set b3-50 to the required time to enable rotation direction detection for backspin.
  2. When setting b3-50, be sure to also set the following parameters to the values specified. Setting these parameters to any other values will trigger an oPE08 fault.

$$b3-50 \leq b3-51$$

$$b3-14 = 0$$

$$b3-24 = 2$$

3. . Backspin detection is not necessary with a PM motor.

### ■ b3-01: Speed Search Selection at Start

Determines if Speed Search is automatically performed when a Run command is issued.



No.	Parameter Name	Setting Range	Default
b3-01	Speed Search Selection at Start	0, 1	Determined by A1-02

**Setting 0: Disabled**

This setting starts operating the drive at the minimum output frequency when the Run command is entered. If external Speed Search 1 or 2 is already enabled by a digital input, the drive will start operating with Speed Search.

**Setting 1: Enabled**

This setting performs Speed Search when the Run command is entered. The drive begins running the motor after Speed Search is complete.

**■ b3-03: Speed Search Deceleration Time**

Sets the output frequency reduction ramp. The time entered into b3-03 will be the time to decelerate from maximum frequency (E1-04) to minimum frequency (E1-09).

In Current Detection Type 2 Speed Search, the time set in this parameter is used as the acceleration or deceleration time for the output frequency while searching.

No.	Name	Setting Range	Default
b3-03	Speed Search Deceleration Time	0.1 to 10.0 s	2.0 s

**■ b3-04: V/f Gain during Speed Search**

During Speed Search, the output voltage calculated from the V/f pattern is multiplied with this value. Changing this value can help reduce the output current during Speed Search.

No.	Name	Setting Range	Default
b3-04	V/f Gain during Speed Search	10 to 100%	Determined by C6-01 and o2-04

**■ b3-05: Speed Search Delay Time**

In cases where an output contactor is used between the drive and the motor, the contactor must be closed before Speed Search can be performed. This parameter can be used to delay the Speed Search operation, giving the contactor enough time to close completely.

No.	Name	Setting Range	Default
b3-05	Speed Search Delay Time	0.0 to 100.0 s	0.2 s

**■ b3-06: Output Current 1 during Speed Search**

Sets the current injected to the motor at the beginning of Speed Estimation Speed Search as a factor of the motor rated current set in E2-01 (E4-01 for motor 2). If the motor speed is relatively slow when the drive starts to perform Speed Search after a long period of baseblock, it may be helpful to increase the setting value. The output current during Speed Search is automatically limited by the drive rated current.

No.	Name	Setting Range	Default
b3-06	Output Current 1 during Speed Search	0.0 to 2.0	Determined by o2-04

**Note:** Use Current Detection Speed Search 2 if Speed Estimation is not working correctly even after adjusting b3-06.

**■ b3-08: Current Control Gain during Speed Search (Speed Estimation Type)**

Sets the proportional gain for the current controller during Speed Search. There is normally no need to change this parameter from the default value.

No.	Name	Setting Range	Default
b3-08	Current Control Gain during Speed Search (Speed Estimation Type)	0.00 to 6.00	A1-02 = 0 to 3: Determined by o2-04 A1-02 = 5, 6: 0.30

## 5.2 b: Application

### ■ b3-10: Speed Search Detection Compensation Gain

Sets the gain for the detected motor speed of the Speed Estimation Speed Search. Increase the setting only if an overvoltage fault occurs when the drive restarts the motor.

No.	Name	Setting Range	Default
b3-10	Speed Search Detection Compensation Gain	1.00 to 1.20	1.05

### ■ b3-14: Bi-Directional Speed Search Selection

Sets how the drive determines the motor rotation direction when performing Speed Estimation Speed Search. Disable this parameter when b3-50, Backspin Search Direction Judgment Time 1, is set to 0.1 or longer.

No.	Parameter Name	Setting Range	Default
b3-14	Bi-Directional Speed Search Selection	0, 1	Determined by A1-02

#### Setting 0: Disabled

The drive uses the frequency reference to determine the direction of motor rotation to restart the motor.

#### Setting 1: Enabled

The drive detects the motor rotation direction to restart the motor.

### ■ b3-17: Speed Search Restart Current Level

Sets the current level at which Speed Estimation is restarted as a percentage of drive rated current to avoid overcurrent and overvoltage problems since a large current can flow into the drive if the difference between the estimated frequency and the actual motor speed is too big when performing Speed Estimation.

No.	Name	Setting Range	Default
b3-17	Speed Search Restart Current Level	0 to 200%	150%

### ■ b3-18: Speed Search Restart Detection Time

Sets the time for which the current must be above the level set in b3-17 before restarting Speed Search.

No.	Name	Setting Range	Default
b3-18	Speed Search Restart Detection Time	0.00 to 1.00 s	0.10 s

### ■ b3-19: Number of Speed Search Restarts

Sets the number of times the drive should attempt to find the speed and restart the motor. If the number of restart attempts exceeds the value set to b3-19, the SEr fault will occur and the drive will stop.

No.	Name	Setting Range	Default
b3-19	Number of Speed Search Restarts	0 to 10	3

### ■ b3-24: Speed Search Method Selection

Sets the Speed Search method.

In V/f, V/f w/PG, or OLV control modes, set this parameter to 2 (Current Detection Type Speed Search 2) when b3-50 is 0.1 or longer.

No.	Parameter Name	Setting Range	Default
b3-24	Speed Search Method Selection	1, 2	2

#### Setting 1: Speed Estimation

#### Setting 2: Current Detection 2

- Note:
1. Enable or disable Speed Search at start with b3-01 and Speed Search after momentary power loss with L2-01.
  2. [Refer to Current Detection Speed Search 2 \(b3-24 = 2\) on page 169](#) and [Refer to Speed Estimation Speed Search \(b3-24 = 1\) on page 169](#) for details on the Speed Search direction.



### ■ b3-25: Speed Search Wait Time

Sets the wait time between Speed Search restarts. Increase the wait time if problems occur with overcurrent or if an SER fault occurs.

No.	Name	Setting Range	Default
b3-25	Speed Search Wait Time	0.0 to 30.0 s	0.5 s

### ■ b3-27: Start Speed Search Select

Selects a condition to activate Speed Search Selection at Start (b3-01). Set this parameter to 1 when using a sequence in which operation starts when the frequency reference exceeds the minimum output frequency while the Run command is active.

No.	Name	Setting Range	Default
b3-27	Start Speed Search Select	0, 1	0

**Setting 0: Triggered when a Run Command Is Issued (Normal)**

**Setting 1: Triggered when an External Baseblock Is Released**

### ■ b3-29: Speed Search Induced Voltage Level

Lower this value in small increments if changes are necessary. Setting this value too low will prevent the drive from performing Speed Search. There is normally no need to change this parameter from the default value.

No.	Name	Setting Range	Default
b3-29	Speed Search Induced Voltage Level	0 to 10%	10%

### ■ b3-31: Speed Search Operation Current Level 1 (Current Detection Type 2)

Sets the current level used to limit the output current during Current Detection Type Speed Search 2 as a ratio to E2-03, Motor No-Load Current.

The current level is determined for a no-load current that is 30% of the rated motor current when the setting value of E2-03 is less than or equal to 30% of the rated motor current.

**Note:** If the setting value is too large, a stopped inductive motor may accelerate too quickly. In such cases, set this parameter to a value that is smaller than the rated motor current.

No.	Name	Setting Range	Default
b3-31	Speed Search Operation Current Level 1 (Current Detection Type 2)	1.50 to 3.50	1.50

### ■ b3-32: Speed Search Operation Current Level 2 (Current Detection 2)

Sets the current level at which to end the Speed Search for Current Detection Type Speed Search 2 as a ratio to E2-03, Motor No-Load Current.

The current level is determined for a no-load current that is 30% of the rated motor current when the setting value of E2-03 is less than or equal to 30% of the rated motor current.

No.	Name	Setting Range	Default
b3-32	Speed Search Operation Current Level 2 (Current Detection 2)	0.00 to 1.49	1.20

### ■ b3-33: Speed Search Selection when Run Command Is Given during Uv

Activates and deactivates Speed Search at start in accordance with whether a Run command was issued during an undervoltage (Uv) condition. Function is active when a momentary power loss (L2-01 = 1 or 2), Speed Search at start (b3-01 = 1), and coasting to a stop (b1-03 = 1) are enabled.

- Note:**
1. Use a sequence that will hold the Run command even during momentary power losses when the Momentary Power Loss Operation Selection is enabled (L2-01 = 1 or 2).
  2. Disable this parameter for a machine in which the motor will stop during a momentary power loss.

No.	Name	Setting Range	Default
b3-33	Speed Search Selection when Run Command is Given during Uv	0, 1	0

## 5.2 b: Application

Setting 0: Disabled

Setting 1: Enabled

### ■ b3-50/b3-51: Backspin Search Direction Judgment Time 1/2

The direction of the Speed Search is adjusted to allow for backspin.

When momentary power loss time  $t$  is shorter than the time set in b3-50, the search operates according to the direction command. When momentary power loss time  $t$  is equal to or longer than the time set in b3-51, the search operates from the opposite direction of the direction command. When momentary power loss time  $t$  is equal to or longer than the time set in b3-50 and shorter than b3-15, baseblock continues until momentary power loss time  $t$  exceeds the time set in b3-51. The search then operates from the opposite direction of the direction command.

- Note:**
1. Use these parameters only in applications in which backspin can occur
  2. Be sure to set b3-50 > b3-51.

No.	Name	Setting Range	Default
b3-50	Backspin Search Direction Judgment Time 1	0.0 to 10.0	Determined by A1-02
b3-51	Backspin Search Direction Judgment Time 2	0.0 to 10.0	0.0

#### Speed Search from the Direction Command ( $0.0 \leq \text{Momentary Power Loss Time } t < \text{b3-50}$ )

When time  $t$  from the momentary power loss to recovery is shorter than the setting value of b3-50, Speed Search is performed in the direction specified by the direction command. The deceleration time set in b3-52 is used for the search frequency and the setting value of the maximum frequency is used as the starting search frequency.

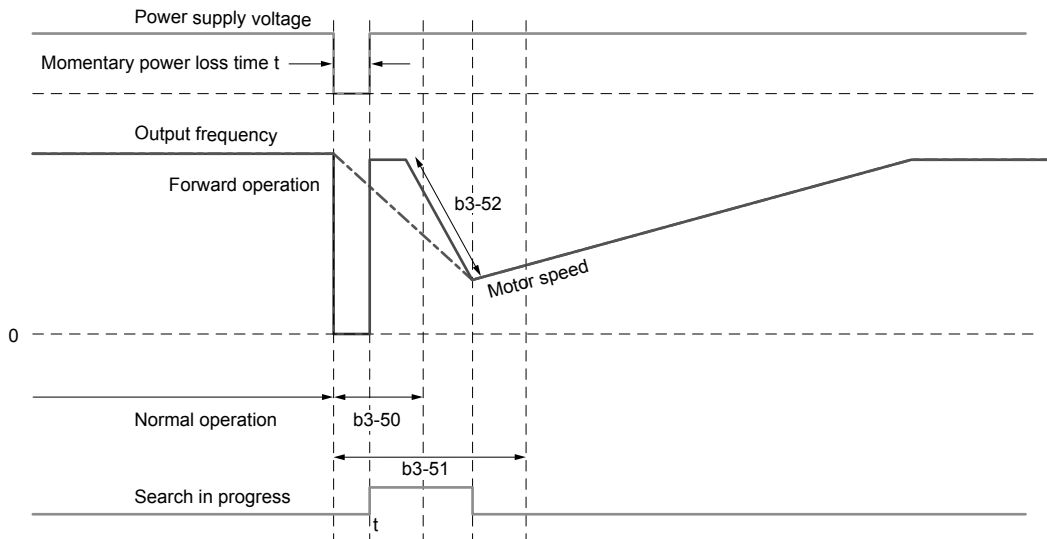


Figure 5.19 Speed Search from Forward Run Command

#### Continuous Baseblock ( $\text{b3-50} \leq t < \text{b3-51}$ )

When time  $t$  from the momentary power loss to recovery is between the times set for b3-50 and b3-51, operation will not be restarted and the baseblock will continue. The drive will stay in baseblock for the time set in b3-51 even after restoring power. After the time set in b3-51 passes, Speed Search starts in the opposite direction of the direction command. The deceleration time in b3-53 is used for the search frequency and the setting value of the maximum frequency is used as the starting search frequency.

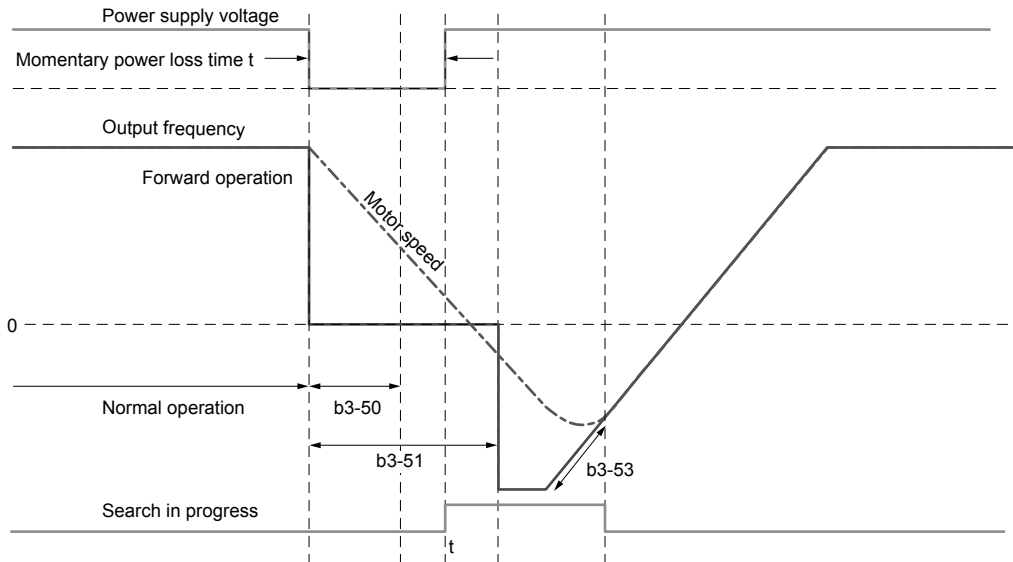


Figure 5.20 Continuing Baseblock

**Speed Search in Direction Opposite to Direction Command ( $b3-51 \leq t$ )**

When time  $t$  from the momentary power loss to recovery exceeds the setting value of  $b3-51$ , Speed Search is performed in the opposite direction of the direction command. The deceleration time in  $b3-53$  is used for the search frequency and the setting value of the maximum frequency is used as the starting search frequency.

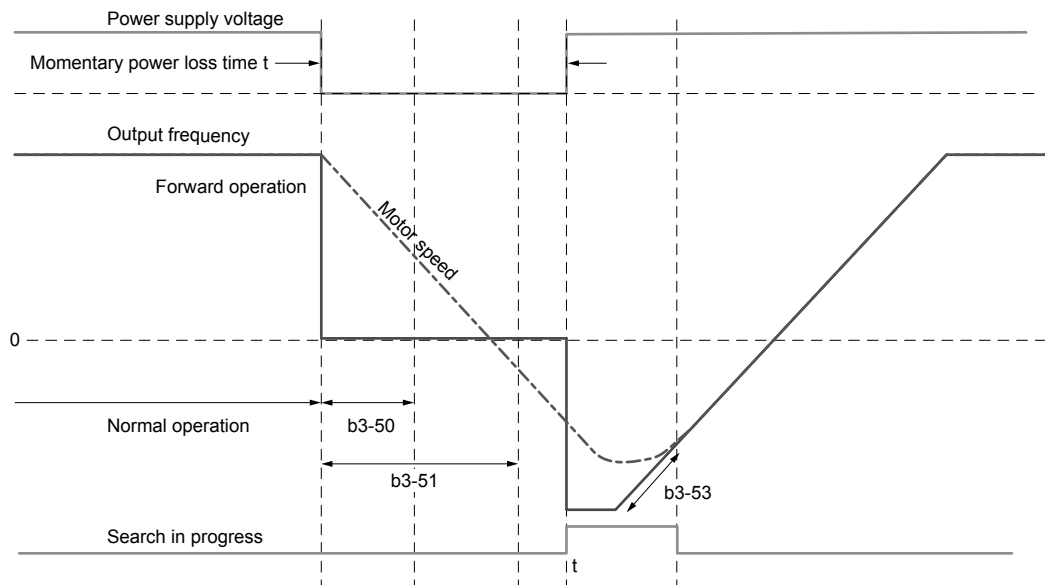


Figure 5.21 Speed Search in Direction Opposite to Direction Command ( $b3-50 \leq t < \infty$ )

**■ b3-52: Backspin Search Deceleration Time 1**

Sets the search frequency deceleration rate when searching from the direction command when momentary power loss time  $t$  is shorter than the time set in  $b3-50$ .

Set the value lower than the motor deceleration rate during coasting.

No.	Name	Setting Range	Default
b3-52	Backspin Search Deceleration Time 1	0.1 to 10.0 s	2.0 s

**■ b3-53: Backspin Search Deceleration Time 2**

Sets the search frequency deceleration rate for a Speed Search from the opposite direction of the direction command when momentary power loss time  $t$  is equal to or longer than the time set in  $b3-51$ .

## 5.2 b: Application

No.	Name	Setting Range	Default
b3-523	Backspin Search Deceleration Time 2	0.1 to 10.0 s	2.0 s

### ◆ b4: Timer Function

The timer function is independent of drive operation and can delay the switching of a digital output triggered by a digital input signal and help eliminate chattering switch noise from sensors. An on-delay and off-delay can be set separately.

To enable the timer function, set a multi-function input to “Timer Function Input” (H1-□□ = 18) and set a multi-function output to “Timer output” (H2-□□ = 12). Only one timer can be used.

#### ■ b4-01, b4-02: Timer Function On-Delay, Off-Delay Time

b4-01 sets the on-delay time for switching the timer output. b4-02 sets the off-delay time for switching the timer output.

No.	Name	Setting Range	Default
b4-01	Timer Function On-Delay Time	0.0 to 3000.0 s	0.0 s
b4-02	Timer Function Off-Delay Time	0.0 to 3000.0 s	0.0 s

#### ■ Timer Function Operation

The timer function switches on when the timer function input closes for longer than the value set to b4-01. The timer function switches off when the timer function input is open for longer than the value set to b4-02. *Figure 5.22* illustrates the timer function operation:

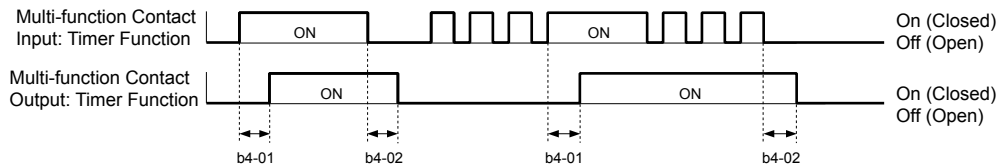
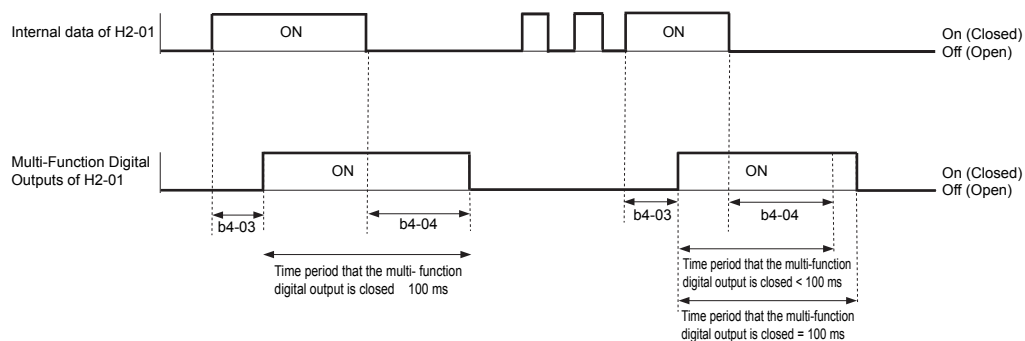


Figure 5.22 Timer Operation

#### ■ b4-03 to b4-08: H2-□□ ON-Delay and OFF-Delay Time

Sets the length of the delay time for contact outputs to open or close for the related functions set in H2-□□.

No.	Name	Setting Range	Default
b4-03	H2-01 ON Delay Time	0 to 65000 ms	0 ms
b4-04	H2-01 OFF Delay Time	0 to 65000 ms	0 ms
b4-05	H2-02 ON Delay Time	0 to 65000 ms	0 ms
b4-06	H2-02 OFF Delay Time	0 to 65000 ms	0 ms
b4-07	H2-03 ON Delay Time	0 to 65000 ms	0 ms
b4-08	H2-03 OFF Delay Time	0 to 65000 ms	0 ms



**Note:** The multi-function digital output closes for at least 100 ms even when the length of the off-delay time and on-delay time for multi-function digital output are each shorter than 100 ms,

## ◆ b5: PID Control

The drive has a built-in Proportional + Integral + Derivative (PID) controller that uses the difference between the target value and the feedback value to adjust the drive output frequency to minimize deviation and provide accurate closed loop control of system variables such as pressure or temperature.

### ■ P Control

The output of P control is the product of the deviation and the P gain so that it follows the deviation directly and linearly. With P control, only an offset between the target and feedback remains.

### ■ I Control

The output of I control is the integral of the deviation. It minimizes the offset between target and feedback value that typically remains when pure P control is used. The integral time (I time) constant determines how fast the offset is eliminated.

### ■ D Control

D control predicts the deviation signal by multiplying its derivative (slope of the deviation) with a time constant, then adds this value to the PID input. This way the D portion of a PID controller provides a braking action to the controller response and can reduce the tendency to oscillate and overshoot.

D control tends to amplify noise on the deviation signal, which can result in control instability. Only use D control when absolutely necessary.

### ■ PID Operation

To better demonstrate PID functionality, [Figure 5.23](#) illustrates how the PID output changes when the PID input (deviation) jumps from 0 to a constant level.

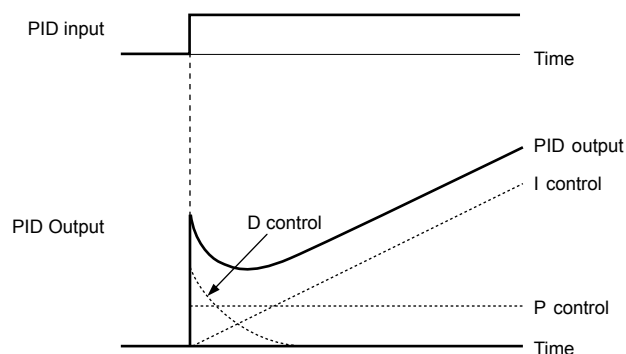


Figure 5.23 PID Operation

### ■ Using PID Control

Applications for PID control are listed in [Table 5.8](#).

Table 5.8 Using PID Control

Application	Description	Sensors Used
Speed Control	Machinery speed is fed back and adjusted to meet the target value. Synchronous control is performed using speed data from other machinery as the target value	Tachometer
Pressure	Maintains constant pressure using pressure feedback.	Pressure sensor
Fluid Control	Keeps flow at a constant level by feeding back flow data.	Flow rate sensor
Temperature Control	Maintains a constant temperature by controlling a fan with a thermostat.	Thermocoupler, Thermistor

### ■ PID Setpoint Input Methods

The PID setpoint input depends on the PID function setting in parameter b5-01.

If parameter b5-01 is set to 1 or 2, the frequency reference source in b1-01 (or b1-15) or one of the inputs listed in [Table 5.9](#) becomes the PID setpoint.

If b5-01 is set to 3 or 4, then the PID setpoint can be input from one of the sources listed in [Table 5.9](#).

## 5.2 b: Application

Table 5.9 PID Setpoint Sources

PID Setpoint Source	Settings
Analog Input A1	Set H3-02 = C
Analog Input A2	Set H3-10 = C
Analog Input A3	Set H3-06 = C
MEMOBUS/Modbus Register 0006 H	Set bit 1 in register 000F H to 1 and input the setpoint to register 0006 H
Pulse Input RP	Set H6-01 = 2
Parameter b5-19	Set parameter b5-18 = 1 and input the PID setpoint to b5-19

**Note:** A duplicate allocation of the PID setpoint input will cause an oPE alarm.

### ■ PID Feedback Input Methods

Input one feedback signal for normal PID control or input two feedback signals can for controlling a differential process value.

#### Normal PID Feedback

Input the PID feedback signal from one of the sources listed in [Table 5.10](#):

Table 5.10 PID Feedback Sources

PID Feedback Source	Settings
Analog Input A1	Set H3-02 = B
Analog Input A2	Set H3-10 = B
Analog Input A3	Set H3-06 = B
Pulse Input RP	Set H6-01 = 1

**Note:** A duplicate allocation of the PID feedback input will cause an oPE alarm.

#### Differential Feedback

The second PID feedback signal for differential feedback can come from the sources listed in [Table 5.11](#). The differential feedback function is automatically enabled when a differential feedback input is assigned.

Table 5.11 PID Differential Feedback Sources

PID Differential Feedback Source	Settings
Analog Input A1	Set H3-02 = 16
Analog Input A2	Set H3-10 = 16
Analog Input A3	Set H3-06 = 16

**Note:** A duplicate allocation of the PID differential feedback input will cause an oPE alarm.

■ PID Block Diagram

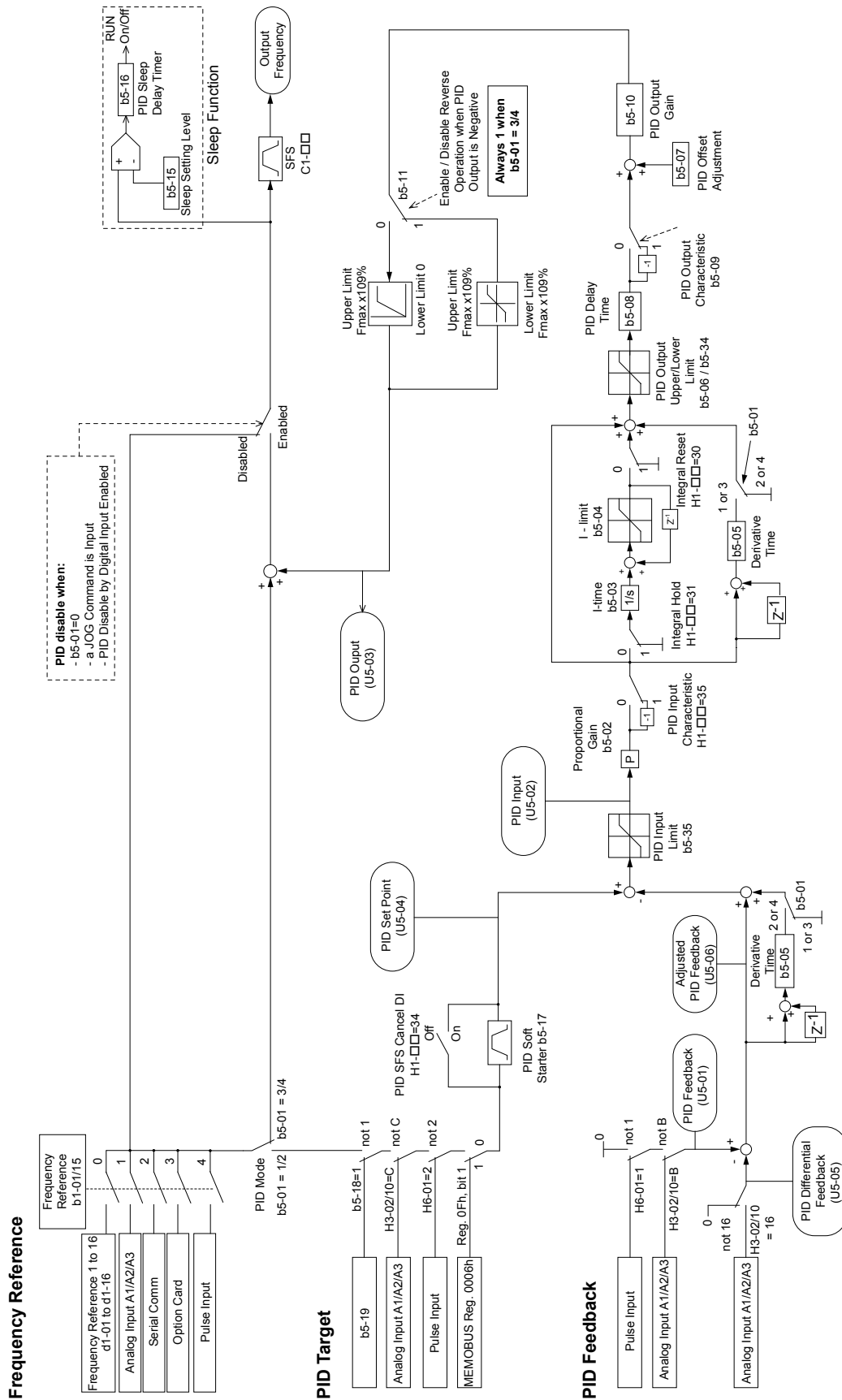


Figure 5.24 PID Block Diagram

## 5.2 b: Application

### ■ b5-01: PID Function Setting

Enables or disables the PID operation and selects the PID operation mode.

No.	Parameter Name	Setting Range	Default
b5-01	PID Function Setting	0 to 8	0

#### Setting 0: PID disabled

#### Setting 1: Output frequency = PID output 1

The PID controller is enabled and the PID output builds the frequency reference. The PID input is D controlled.

#### Setting 2: Output frequency = PID output 2

The PID controller is enabled and the PID output builds the frequency reference. The PID feedback is D controlled.

#### Setting 3: Output frequency = frequency reference + PID output 1

The PID controller is enabled and the PID output is added to the frequency reference. The PID input is D controlled.

#### Setting 4: Output frequency = frequency reference + PID output 2

The PID controller is enabled and the PID output is added to the frequency reference. The PID feedback is D controlled.

#### Setting 5: Mode compatible with setting 1 of similar products from a previous product line

#### Setting 6: Mode compatible with setting 2 of similar products from a previous product line

#### Setting 7: Mode compatible with setting 3 of similar products from a previous product line

#### Setting 8: Mode compatible with setting 4 of similar products from a previous product line

### ■ b5-02: Proportional Gain Setting (P)

Sets the P gain applied to the PID input. Larger values will tend to reduce the error but may cause oscillations if set too high, while lower values may allow too much offset between the setpoint and feedback.

No.	Name	Setting Range	Default
b5-02	Proportional Gain Setting (P)	0.00 to 25.00	2.00

### ■ b5-03: Integral Time Setting (I)

Sets the time constant used to calculate the integral of the PID input. The shorter the integral time set to b5-03, the faster the offset will be eliminated. If the integral time is set too short, however, overshoot or oscillation may occur. To turn off the integral time, set b5-03 to 0.00.

No.	Name	Setting Range	Default
b5-03	Integral Time Setting (I)	0.0 to 360.0 s	1.0 s

### ■ b5-04: Integral Limit Setting

Sets the maximum output possible from the integral block as a percentage of the maximum frequency (E1-04).

No.	Name	Setting Range	Default
b5-04	Integral Limit Setting	0.0 to 100.0%	100.0%

**Note:** On some applications, especially those with rapidly varying loads, the output of the PID function may show a fair amount of oscillation. Program b5-04 to apply a limit to the integral output and suppress this oscillation.

### ■ b5-05: Derivative Time (D)

Sets the time the drive predicts the PID input/PID feedback signal based on the derivative of the PID input/PID feedback. Longer time settings improve the response but can cause vibrations, while shorter time settings reduce the overshoot but reduce controller responsiveness. D control is disabled by setting b5-05 to zero seconds.

No.	Name	Setting Range	Default
b5-05	Derivative Time (D)	0.00 to 10.00 s	0.00 s

### ■ b5-06: PID Output Limit

Sets the maximum output possible from the entire PID controller as a percentage of the maximum frequency (E1-04).



No.	Name	Setting Range	Default
b5-06	PID Output Limit	0.0 to 100.0%	100.0%

### ■ b5-07: PID Offset Adjustment

Sets the offset added to the PID controller output as a percentage of the maximum frequency (E1-04).

No.	Name	Setting Range	Default
b5-07	PID Offset Adjustment	-100.0 to 100.0%	0.0%

### ■ b5-08: PID Primary Delay Time Constant

Sets the time constant for the filter applied to the output of the PID controller. Normally, change is not required.

No.	Name	Setting Range	Default
b5-08	PID Primary Delay Time Constant	0.00 to 10.00 s	0.00 s

**Note:** Useful when there is a fair amount of oscillation or when rigidity is low. Set to a value larger than the cycle of the resonant frequency. Increasing this time constant may reduce the responsiveness of the drive.

### ■ b5-09: PID Output Level Selection

Reverses the sign of the PID controller output signal. Normally a positive PID input (feedback smaller than setpoint) leads to positive PID output.

No.	Parameter Name	Setting Range	Default
b5-09	PID Output Level Selection	0, 1	0

#### Setting 0: Normal Output

A positive PID input causes an increase in the PID output (direct acting).

#### Setting 1: Reverse Output

A positive PID input causes a decrease in the PID output (reverse acting).

### ■ b5-10: PID Output Gain Setting

Applies a gain to the PID output and can be helpful when the PID function is used to trim the frequency reference (b5-01 = 3 or 4).

No.	Name	Setting Range	Default
b5-10	PID Output Gain Setting	0.00 to 25.00	1.00

### ■ b5-11: PID Output Reverse Selection

Determines whether a negative PID output reverses the direction of drive operation. This parameter has no effect when the PID function trims the frequency reference (b5-01 = 3 or 4) and the PID output will not be limited (same as b5-11 = 1).

No.	Parameter Name	Setting Range	Default
b5-11	PID Output Reverse Selection	0, 1	0

#### Setting 0: Reverse Disabled

Negative PID output will be limited to 0 and the drive output will be stopped.

#### Setting 1: Reverse Enabled

Negative PID output will cause the drive to run in the opposite direction.

### ■ PID Feedback Loss Detection

The PID feedback loss detection function detects broken sensors or broken sensor wiring. It should be used when PID control is enabled to prevent critical machine conditions (e.g., acceleration to max. frequency) caused by a feedback loss.

Feedback loss can be detected in two ways:

- **Feedback Low Detection**

Detected when the feedback falls below a certain level for longer than the specified time. This function is set up using parameters b5-12 to b5-14.

- **Feedback High Detection**

## 5.2 b: Application

Detected when the feedback rises above a certain level for longer than the specified time. This function is set up using parameters b5-12, b5-36, and b5-37.

The following figure illustrates the working principle of feedback loss detection when the feedback signal is too low. Feedback high detection works in the same way.

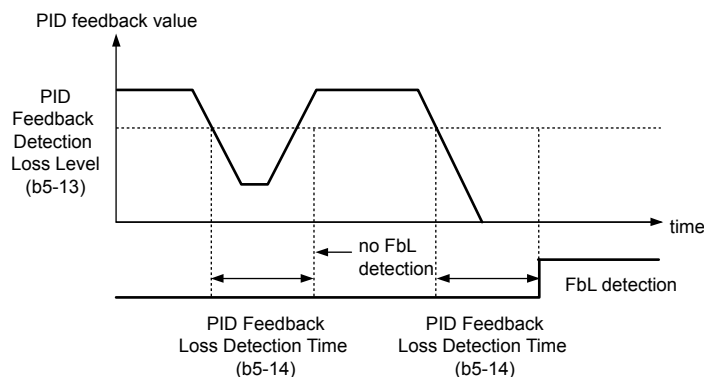


Figure 5.25 PID Feedback Loss Detection

### ■ b5-12: PID Feedback Loss Detection Selection

Enables or disables the feedback loss detection and sets the operation when a feedback loss is detected.

No.	Parameter Name	Setting Range	Default
b5-12	PID Feedback Loss Detection Selection	0 to 5	0

#### Setting 0: Digital Output Only

A digital output set for “PID feedback low” (H2-□□ = 3E) will be triggered if the PID feedback value is below the detection level set to b5-13 for the time set to b5-14 or longer. A digital output set for “PID feedback high” (H2-□□ = 3F) will be triggered if the PID feedback value is beyond the detection level set to b5-36 for longer than the time set to b5-37. Neither a fault nor an alarm is displayed on the digital operator and the drive will continue operation. The output resets when the feedback value leaves the loss detection range.

#### Setting 1: Feedback Loss Alarm

If the PID feedback value falls below the level set to b5-13 for longer than the time set to b5-14, a “FBL - Feedback Low” alarm will be displayed and a digital output set for “PID feedback low” (H2-□□ = 3E) will be triggered. If the PID feedback value exceeds the level set to b5-36 for longer than the time set to b5-37, a “FBH - Feedback High” alarm will be displayed and a digital output set for “PID feedback high” (H2-□□ = 3F) will be triggered. Both events trigger an alarm output (H1-□□ = 10). The drive will continue operation. The alarm and outputs reset when the feedback value leaves the loss detection range.

#### Setting 2: Feedback Loss Fault

If the PID feedback value falls below the level set to b5-13 for longer than the time set to b5-14, a “FbL - Feedback Low” fault will be displayed. If the PID feedback value exceeds the level set to b5-36 for longer than the time set to b5-37, a “FbH - Feedback High” fault will be displayed. Both events trigger a fault output (H1-□□ = E) and cause the drive to stop the motor.

#### Setting 3: Digital Output Only, even if PID Is Disabled by Digital Input

Same as b5-12 = 0. Detection remains active when PID is disabled by a digital input (H1-□□ = 19).

#### Setting 4: Feedback Loss Alarm, even if PID Is Disabled by Digital Input

Same as b5-12 = 1. Detection remains active when PID is disabled by a digital input (H1-□□ = 19).

#### Setting 5: Feedback Loss fault, even if PID Is Disabled by Digital Input

Same as b5-12 = 2. Detection remains active when PID is disabled by a digital input (H1-□□ = 19).

### ■ b5-13: PID Feedback Low Detection Level

Sets the feedback level used for PID feedback low detection. The PID feedback must fall below this level for longer than the time set to b5-14 before feedback loss is detected.

No.	Name	Setting Range	Default
b5-13	PID Feedback Low Detection Level	0 to 100%	0%

### ■ b5-14: PID Feedback Low Detection Time

Sets the time that the PID feedback has to fall below b5-13 before feedback loss is detected.

No.	Name	Setting Range	Default
b5-14	PID Feedback Low Detection Time	0.0 to 25.5 s	1.0 s

### ■ b5-36: PID Feedback High Detection Level

Sets the feedback level used for PID feedback high detection. The PID feedback must exceed this level for longer than the time set to b5-37 before feedback loss is detected.

No.	Name	Setting Range	Default
b5-36	PID Feedback High Detection Level	0 to 100%	100%

### ■ b5-37: PID Feedback High Detection Time

Sets the time that the PID feedback must exceed the value set to b5-36 before feedback loss is detected.

No.	Name	Setting Range	Default
b5-37	PID Feedback High Detection Time	0.0 to 25.5 s	1.0 s

### ■ PID Sleep

The PID Sleep function stops the drive when the PID output or the frequency reference falls below the PID Sleep operation level for a certain time. The drive will resume operating when the PID output or frequency reference rise above the PID Sleep operation level for the specified time. An example of PID Sleep operation appears in the figure below.

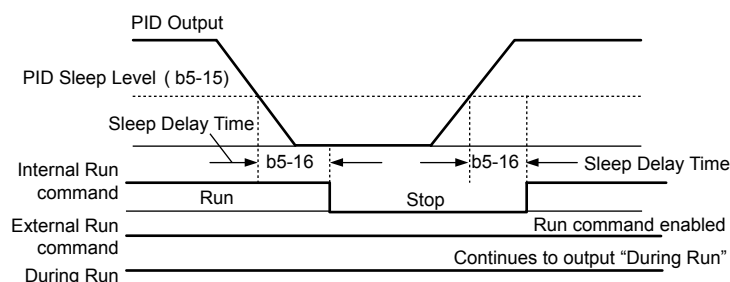


Figure 5.26 PID Sleep Operation

#### Notes on using the PID Sleep function

- The PID Sleep function is active even when PID control is disabled.
- The PID Sleep function stops the motor according to the stopping method set to b1-03.

The parameters necessary to control the PID Sleep function are explained below.

### ■ b5-15: PID Sleep Function Start Level

Sets the level that triggers PID Sleep.

The drive goes into Sleep mode if the PID output or frequency reference is smaller than b5-15 for longer than the time set to b5-16. The drive resumes operation when the PID output or frequency reference is above b5-15 for longer than the time set to b5-16.

No.	Name	Setting Range	Default
b5-15	PID Sleep Function Start Level	0.0 to 400.0 Hz <I>	0.0 Hz

<I> In AOLV/PM and CLV/PM control modes, the setting units and range are expressed as a percentage (0.0 to 100.0%).

### ■ b5-16: PID Sleep Delay Time

Sets the delay time to activate or deactivate the PID Sleep function.

No.	Name	Setting Range	Default
b5-16	PID Sleep Delay Time	0.0 to 25.5 s	0.0 s

## 5.2 b: Application

### ■ b5-17: PID Accel/Decel Time

The PID acceleration/deceleration time is applied on the PID setpoint value.

When the setpoint changes quickly, the normal C1-□□ acceleration times reduce the responsiveness of the system as they are applied after the PID output. The PID accel/decel time helps avoid the hunting and overshoot and undershoot that can result from the reduced responsiveness.

The PID acceleration/deceleration time can be canceled using a digital input programmed for “PID SFS cancel” (H1-□□ = 34).

No.	Name	Setting Range	Default
b5-17	PID Accel/Decel Time	0.0 to 6000.0 s	0.0 s

### ■ b5-18: PID Setpoint Selection

Enables or disables parameter b5-19 for PID setpoint.

No.	Parameter Name	Setting Range	Default
b5-18	PID Setpoint Selection	0, 1	0

#### Setting 0: Disabled

Parameter b5-19 is not used as the PID setpoint.

#### Setting 1: Enabled

Parameter b5-19 is used as PID setpoint.

### ■ b5-19: PID Setpoint Value

Used as the PID setpoint if parameter b5-18 = 1.

No.	Name	Setting Range	Default
b5-19	PID Setpoint Value	0.00 to 100.00%	0.00%

### ■ b5-20: PID Setpoint Scaling

Determines the units for the PID Setpoint Value (b5-19) and monitors U5-01 and U5-04. The units for setting and display can be changed with b5-20.

No.	Parameter Name	Setting Range	Default
b5-20	PID Setpoint Scaling	0 to 3	1

#### Setting 0: 0.01 Hz

The setpoint and PID monitors are displayed in Hz with a resolution of 0.01 Hz.

#### Setting 1: 0.01% (100.00%: Maximum Frequency)

The setpoint and PID monitors are displayed as a percentage with a resolution of 0.01%.

#### Setting 2: r/min (Set the Motor Poles)

The setpoint and PID monitors are displayed in r/min with a resolution of 1 r/min.

#### Setting 3: User Defined (Determined by b5-38 and b5-39)

Parameters b5-38 and b5-39 determine the units and resolution used to display the values the setpoint in b5-19, and PID monitors U1-01 and U1-04.

### ■ b5-34: PID Output Lower Limit

Sets the minimum possible PID controller output as a percentage of the maximum output frequency (E1-04). The lower limit is disabled when set to 0.00%

No.	Name	Setting Range	Default
b5-34	PID Output Lower Limit	-100.0 to 100.0%	0.00%

### ■ b5-35: PID Input Limit

Sets the maximum allowed PID input as a percentage of the maximum output frequency (E1-04). Parameter b5-35 acts as a bipolar limit.

No.	Name	Setting Range	Default
b5-35	PID Input Limit	0.0 to 1000.0%	1000.0%

### ■ b5-38, b5-39: PID Setpoint User Display, PID Setpoint Display Digits

When parameter b5-20 is set to 3, parameters b5-38 and b5-39 set a user-defined display for the PID setpoint (b5-19) and PID feedback monitors (U5-01, U5-04).

Parameter b5-38 determines the display value when the maximum frequency is output and parameter b5-39 determines the number of digits. The setting value is equal to the number of decimal places.

No.	Name	Setting Range	Default
b5-38	PID Setpoint User Display	1 to 60000	Determined by b5-20
b5-39	PID Setpoint Display Digits	0 to 3	Determined by b5-20

**Setting 0: No Decimal Places**

**Setting 1: One Decimal Place**

**Setting 2: Two Decimal Places**

**Setting 3: Three Decimal Places**

### ■ b5-40: Frequency Reference Monitor Content During PID

Sets the content of the frequency reference monitor display (U1-01) when PID control is active.

No.	Name	Setting Range	Default
b5-40	Frequency Reference Monitor Content During PID	0, 1	0

**Setting 0: Frequency Reference after PID**

Monitor U1-01 displays the frequency reference increased or reduced for the PID output.

**Setting 1: Frequency Reference**

Monitor U1-01 displays the frequency reference value.

### ■ b5-47: PID Output Reverse Selection 2

Determines whether a negative PID output reverses the direction of drive operation. When the PID function is used to trim the frequency reference (b5-01 = 3 or 4), this parameter has no effect and the PID output will not be limited (same as b5-11 = 1).

No.	Name	Setting Range	Default
b5-47	PID Output Reverse Selection 2	0, 1	1

**Setting 0: Reverse Disabled**

Negative PID output will be limited to 0 and the drive output will be stopped.

**Setting 1: Reverse Enabled**

Negative PID output will cause the drive to run in the opposite direction.

## 5.2 b: Application

### ■ Fine-Tuning PID

Follow the directions below to fine tune PID control parameters:

**Table 5.12 PID Fine Tuning**

Goal	Tuning Procedure	Result
Suppress overshoot	<ul style="list-style-type: none"> <li>• Reduce the derivative time (b5-05)</li> <li>• Increase the integral time (b5-03)</li> </ul>	<p>Response</p> <p>Before adjustment</p> <p>After adjustment</p> <p>Time</p>
Achieve stability quickly while allowing some overshoot	<ul style="list-style-type: none"> <li>• Decrease the integral time (b5-03)</li> <li>• Increase the derivative time (b5-05)</li> </ul>	<p>Response</p> <p>After adjustment</p> <p>Before adjustment</p> <p>Time</p>
Suppress long cycle oscillations (longer than the integral time setting)	Increase the integral time (b5-03)	<p>Response</p> <p>Before adjustment</p> <p>After adjustment</p> <p>Time</p>
Suppress short cycle oscillations	<ul style="list-style-type: none"> <li>• If oscillation cycle time is close to the derivative time, reduce the derivative time (b5-05).</li> <li>• If the derivative time is set to 0.00 s and oscillations are still a problem, reduce the proportional gain (b5-02) or increase the PID primary delay time (b5-08)</li> </ul>	<p>Response</p> <p>Before adjustment</p> <p>After adjustment</p> <p>Time</p>

### ◆ b6: Dwell Function

The Dwell function temporarily holds the frequency reference at a predefined value for a set time then continues accelerating or decelerating.

The Dwell function helps prevent speed loss when starting and stopping a heavy load with induction motors. When running a PM motor in V/f control, the pause in acceleration allows the PM motor rotor to align with the stator field of the motor and reduce the starting current.

**Figure 5.27** illustrates how the Dwell function works.

**Note:** Set the stopping method to "Ramp to Stop" (b1-03 = 0) to use the Dwell function.

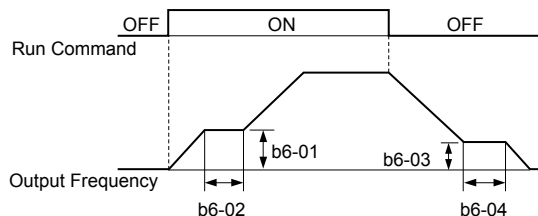


Figure 5.27 Dwell Function at Start and Stop

### ■ b6-01, b6-02: Dwell Reference, Dwell Time at Start

Parameter b6-01 determines the frequency that is held for the time set in b6-02 during acceleration.

No.	Name	Setting Range	Default
b6-01	Dwell Reference at Start	0.0 to 400.0 Hz	0.0 Hz
b6-02	Dwell Time at Start	0.0 to 10.0 s	0.0 s

### ■ b6-03, b6-04: Dwell Reference, Dwell Time at Stop

Parameter b6-03 determines the frequency that is held for the time set in b6-04 during deceleration.

No.	Name	Setting Range	Default
b6-03	Dwell Reference at Stop	0.0 to 400.0 Hz	0.0 Hz
b6-04	Dwell Time at Stop	0.0 to 10.0 s	0.0 s

## ◆ b7: Droop Control (CLV, CLV/PM)

Droop control automatically balances the load level between two motors driving the same load. Droop control must be activated in one of the drives controlling these motors. The drive in which Droop control is activated shifts the load from one motor to another by automatically reducing the speed when the torque reference rises, and automatically increasing the speed when the torque reference falls.

**Note:** Disable Feed Forward (n5-01 = 0) whenever using Droop control.

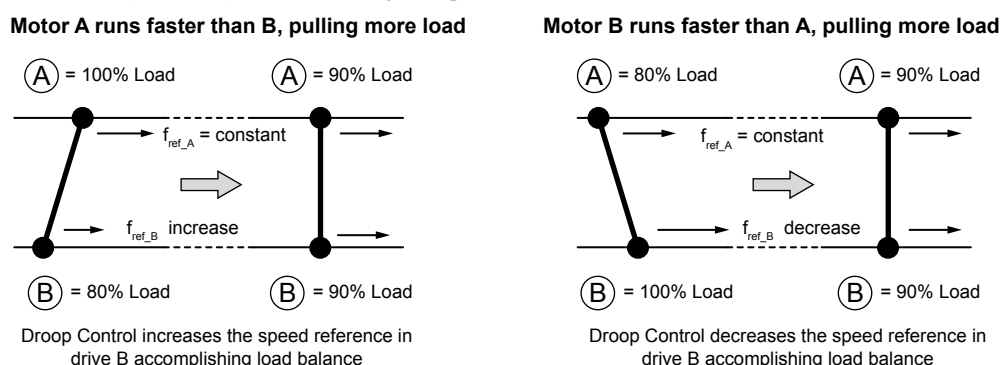


Figure 5.28 Droop Control Application

### ■ b7-01: Droop Control Gain

Sets the amount of speed reduction when the torque reference is 100%. The gain is set as a percentage of the maximum output frequency. A setting of 0.0% disables the Droop control function.

No.	Parameter Name	Setting Range	Default
b7-01	Droop Control Gain	0.0 to 100.0%	0.0%

## 5.2 b: Application

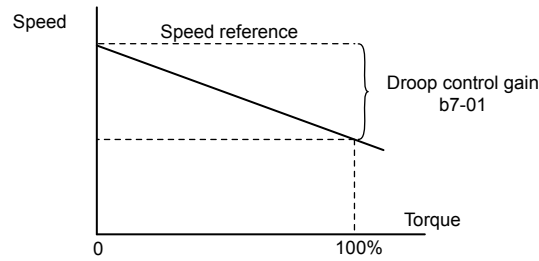


Figure 5.29 Droop Control Gain

### ■ b7-02: Droop Control Delay Time

Adjusts the responsiveness of Droop control. Reduce the setting if the reaction time is too long, and increase the setting if hunting occurs.

No.	Parameter Name	Setting Range	Default
b7-02	Droop Control Delay Time	0.03 to 2.00 s	0.05 s

### ■ b7-03: Droop Control Limit Selection

Enables or disables the droop control limit.

No.	Parameter Name	Setting Range	Default
b7-03	Droop Control Limit Selection	0, 1	1

Setting 0: Disabled

Setting 1: Enabled

## ◆ b8: Energy Saving

The Energy Saving feature improves overall system operating efficiency by operating the motor at its most efficient level.

- Note:**
1. Energy Saving is not designed for applications that experience instantaneous heavy loads or applications that rarely operate with light load conditions.
  2. The performance of the Energy Saving function depends on the accuracy of the motor data. Always perform Auto-Tuning and correctly enter the motor data before using this function.

### ■ b8-01: Energy Saving Control Selection

Enables or disables the Energy Saving function.

- Note:** Enabling the Energy Saving function when using a PM motor may adversely affect motor efficiency depending on the type of PM motor. Disable the Energy Saving function in such cases.

No.	Parameter Name	Setting Range	Default
b8-01	Energy Saving Control Selection	0, 1	Determined by A1-02

Setting 0: Disabled

Setting 1: Enabled

### ■ b8-02: Energy Saving Gain (OLV, CLV)

Sets the gain level for Energy Saving. A higher value results in lower magnetization of the motor and less energy consumption. If the value is set too high the motor may stall.

No.	Name	Setting Range	Default
b8-02	Energy Saving Gain	0.0 to 10.0	Determined by A1-02



### ■ b8-03: Energy Saving Control Filter Time Constant (OLV, CLV)

Sets the response time for Energy Saving. A lower value allows for a quicker response; however a value that is too low may cause instability.

No.	Name	Setting Range	Default
b8-03	Energy Saving Control Filter Time Constant	0.00 to 10.00 s	Determined by A1-02 and o2-04

### ■ b8-04: Energy Saving Coefficient Value (V/f, V/f w/PG)

Fine tunes Energy Saving control.

The default setting is for a standard Yaskawa motor. When using a different motor, adjust this parameter in 5% increments until output power monitor U1-08 is at the minimum value, while running the drive with a light load.

A low setting results in less output voltage and less energy consumption. If the value is set too low the motor may stall. The default setting depends on the capacity of the drive.

No.	Name	Setting Range	Default
b8-04	Energy Saving Coefficient Value	0.00 to 655.00	Determined by C6-01, E2-11, and o2-04

**Note:** The default value changes if the motor rated capacity set to E2-11 is changed. The Energy Saving coefficient is set automatically when Auto-Tuning for Energy Saving is performed ([Refer to Auto-Tuning on page 130](#)).

### ■ b8-05: Power Detection Filter Time (V/f, V/f w/PG)

Determines how often in milliseconds the output power is measured. The Energy Saving function continuously searches out the lowest output voltage to achieve minimum output power.

Reducing this setting increases the response time. If the filter time is too short, the motor may become unstable with a lighter load.

No.	Name	Setting Range	Default
b8-05	Power Detection Filter Time	0 to 2000 ms	20 ms

### ■ b8-06: Search Operation Voltage Limit (V/f, V/f w/PG)

Sets the voltage limit for the Speed Search optimal output voltage detection as a percentage of the maximum output voltage. The drive will keep the output voltage above this level during the search operation to prevent motor stalling.

**Note:** If set too low, the motor may stall when the load is suddenly increased. Disabled when set to 0. Setting this value to 0 does not disable Energy Saving.

No.	Name	Setting Range	Default
b8-06	Search Operation Voltage Limit	0 to 100%	0%

### ■ b8-16: Energy Saving Parameter (Ki) for PM Motors

There is normally no need to change this parameter from the default value. Coefficient to adjust torque linearity.

Set to the Ki value specified on the motor nameplate.

Setting E5-01, Motor Code Selection (for PM Motors), to 1□□□ or 2□□□ automatically sets the calculated value. This set value cannot be changed. If oscillation occurs when Energy Saving is enabled (b8-01 = 1), check the value displayed in monitor U5-21. If the value displayed differs from the Ki value written on the motor nameplate, set b8-16 accordingly.

No.	Name	Setting Range	Default
b8-16	Energy Saving Parameter (Ki) for PM Motors	0.00 to 3.00	1.00

### ■ b8-17: Energy Saving Parameter (Kt) for PM Motors

There is normally no need to change this parameter from the default value. Coefficient to adjust torque linearity.

Set to the Kt value specified on the motor nameplate.

Setting E5-01, Motor Code Selection (for PM Motors), to 1□□□ or 2□□□ automatically sets the calculated value. This set value cannot be changed. If oscillation occurs when Energy Saving is enabled (b8-01 = 1), check the value displayed in monitor U5-22. If the value displayed differs from the Kt value written on the motor nameplate, set b8-17 accordingly.

## 5.2 b: Application

No.	Name	Setting Range	Default
b8-17	Energy Saving Parameter (Kt) for PM Motors	0.00 to 3.00	1.00

### ◆ b9: Zero Servo

The Zero Servo function is a position loop that can be used in CLV and CLV/PM control modes to lock the motor at a certain position.

To activate Zero Servo mode, use a digital input set for H1-□□ = 72 and the drive will decelerate when this input is closed. The drive goes into Zero Servo mode and holds the current position when the motor speed falls below the level set to parameter b2-01. The drive accelerates when the input assigned to trigger the Zero Servo function is released and the Run command is still present.

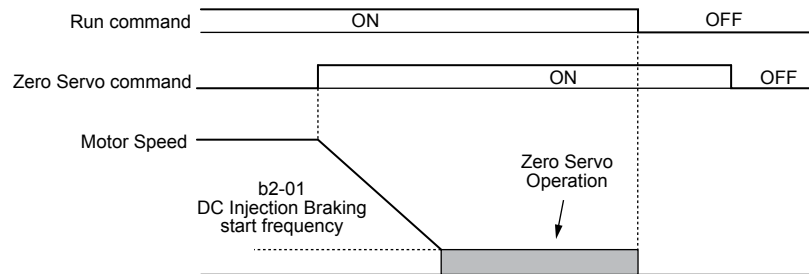


Figure 5.30 Zero Servo Operation

When Zero Servo mode is active, the deviation between the rotor position and the zero position is displayed in monitor U6-22 (monitor value must be divided by 4 to get the deviation in actual encoder pulses).

A digital output programmed for “Zero Servo complete” (H2-□□ = 33) is turned on when the rotor position is within the zero position, plus or minus the Zero Servo completion width set to parameter b9-02.

- Note:**
1. The Run command must remain on when using the Zero Servo function. Zero Servo will not hold the load in place if the Run command is switched off.
  2. When the Zero Servo command has shut off, the Zero Servo Completion digital output width also shuts off.
  3. Avoid using Zero Servo to lock 100% load for long periods, as this can trigger a fault. If such loads need to be held in place for long periods, either make sure the current is less than 50% of the drive rated current during Zero Servo, or use a larger capacity drive.
  4. If the load rotates the motor when using CLV/PM, a dv4 fault may occur. To prevent this, either increase the Zero Servo gain (b9-01) or increase the number of pulses set to F1-19 that are required to trigger dv4.

### ■ b9-01: Zero Servo Gain

Adjusts the responsiveness of the Zero Servo position loop. Increase the value if the response is too slow and the deviation from the zero position rises too high when load is applied. Decrease the value if vibrations occur during Zero Servo operation.

**Note:** Before adjusting the Zero Servo gain, make sure the ASR parameters (C5-□□) are set up properly and vibration or hunting does not occur when running with a zero speed reference.

No.	Name	Setting Range	Default
b9-01	Zero Servo Gain	0 to 100	5

### ■ b9-02: Zero Servo Completion Width

Sets the output range of the Zero Servo completion signal. Enter the amount of deviation allowable from the desired position to trigger Zero Servo. An output terminal set for Zero Servo (H2-□□ = 33) will be triggered when the motor reaches the position Zero Servo plus or minus b9-02.

No.	Name	Setting Range	Default
b9-02	Zero Servo Completion Width	0 to 16383	10

## 5.3 C: Tuning

C parameters set the characteristics for acceleration, deceleration, and S-curves. Other parameters in the C group cover settings for slip compensation, torque compensation, and carrier frequency.

### ◆ C1: Acceleration and Deceleration Times

#### ■ C1-01 to C1-08: Accel, Decel Times 1 to 4

Four different sets of acceleration and deceleration times can be set in the drive by digital inputs, motor selection, or switched automatically.

Acceleration time parameters always set the time to accelerate from 0 Hz to the maximum output frequency (E1-04). Deceleration time parameters always set the time to decelerate from maximum output frequency to 0 Hz. C1-01 and C1-02 are the default active accel/decel settings.

No.	Parameter Name	Setting Range	Default
C1-01	Acceleration Time 1	0.0 to 6000.0 s <sup>&lt;I&gt;</sup>	10.0 s
C1-02	Deceleration Time 1		
C1-03	Acceleration Time 2		
C1-04	Deceleration Time 2		
C1-05	Acceleration Time 3 (Motor 2 Accel Time 1)		
C1-06	Deceleration Time 3 (Motor 2 Decel Time 1)		
C1-07	Acceleration Time 4 (Motor 2 Accel Time 2)		
C1-08	Deceleration Time 4 (Motor 2 Decel Time 2)		

<I> The setting range for the acceleration and deceleration times is determined by the accel/decel time setting units in C1-10. For example, if the time is set in units of 0.01 s (C1-10 = 0), the setting range becomes 0.00 to 600.00 s.

#### Switching Acceleration Times by Digital Input

Accel/decel times 1 are active by default if no input is set. Activate accel/decel times 2, 3, and 4 by digital inputs (H1-□□ = 7 and 1A) as explained in [Table 5.13](#).

Table 5.13 Accel/Decel Time Selection by Digital Input

Accel/Decel Time Sel. 1 H1-□□ = 7	Accel/Decel Time Sel. 2 H1-□□ = 1A	Active Times	
		Acceleration	Deceleration
0	0	C1-01	C1-02
1	0	C1-03	C1-04
0	1	C1-05	C1-06
1	1	C1-07	C1-08

[Figure 5.31](#) shows an operation example for changing accel/decel. times. The example below requires that the stopping method be set for “Ramp to stop” (b1-03 = 0).

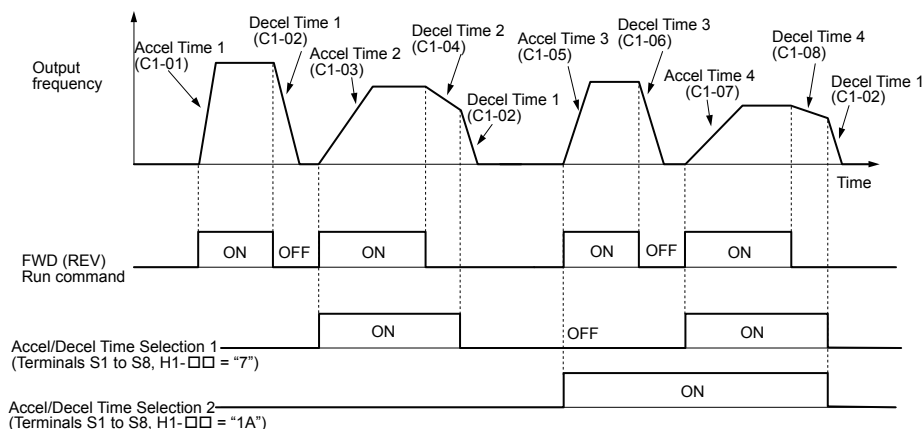


Figure 5.31 Timing Diagram of Accel/Decel Time Change

## 5.3 C: Tuning

### Switching Acceleration and Deceleration Times by Motor Selection

When switching between motor 1 and 2 using a digital input (H1-□□ = 16), parameters C1-01 to C1-04 become accel/decel times 1 and 2 for motor 1, while C1-05 to C1-08 become accel/decel times 1 and 2 for motor 2. Accel/decel times 1 and 2 can be switched for each motor using a digital inputs set to H1-□□ = 7 like shown in [Table 5.14](#).

- Note:**
1. The motor 2 selection function cannot be used with PM motors.
  2. Attempting to use the digital input setting “Accel/Decel time 2 selection” (H1-□□ = 1A) together with motor 1/2 switching triggers an oPE03 error, indicating contradictory multifunction input settings.

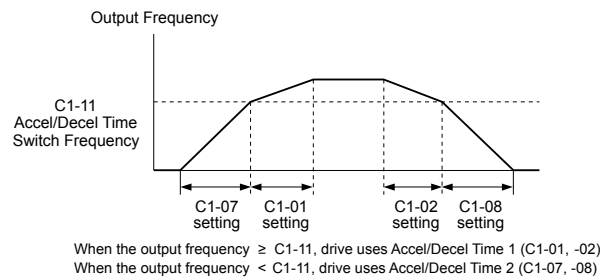
**Table 5.14 Motor Switching and Accel/Decel Time Combinations**

Accel/Decel Time 1 (H1-□□ = 7)	Motor 1 Selected (Terminal set to H1-□□ = 16 OFF)		Motor 2 Selected (Terminal set to H1-□□ = 16 ON)	
	Accel	Decel	Accel	Decel
Open	C1-01	C1-02	C1-05	C1-06
Closed	C1-03	C1-04	C1-07	C1-08

### Switching Accel/Decel Times by a Frequency Level

The drive can switch between different acceleration and deceleration times automatically. The drive will switch from accel/decel time 4 in C1-07 and C1-08 to the default accel/decel time in C1-01 and C1-02 (C1-05 and C1-06 for motor 2) when the output frequency exceeds the frequency level set to parameter C1-11. When the frequency falls below this level, the accel/decel times are switched back. [Figure 5.32](#) shows an operation example.

- Note:** Acceleration and deceleration times selected by digital inputs have priority over the automatic switching by the frequency level set to C1-11. For example, if accel/decel time 2 is selected, the drive will use only accel/decel time 2; it will not switch from accel/decel time 4 to the selected one.



**Figure 5.32 Accel/Decel Time Switching Frequency**

### ■ C1-09: Fast Stop Time

Sets a special deceleration used when a select group of faults occur (e.g., L8-03 Overheat Pre-Alarm Operation Selection) or when closing a digital input configured as H1-□□ = 15 (N.O. input) or 17 (N.C. input). A momentary closure of the digital input will trigger the Fast Stop operation; it does not have to be closed continuously.

The drive cannot be restarted after initiating a Fast Stop operation until after completing deceleration, clearing the Fast Stop input, and cycling the Run command.

A digital output programmed for “During Fast Stop” (H2-□□ = 4C) will be closed as long as Fast Stop is active.

No.	Parameter Name	Setting Range	Default
C1-09	Fast Stop Time	0.0 to 6000.0 s </>	10.0 s

</> The setting range for the acceleration and deceleration times is determined by the accel/decel time setting units in C1-10. For example, if the time is set in units of 0.01 s (C1-10 = 0), the setting range becomes 0.00 to 600.00 s

### ■ C1-10: Accel/Decel Time Setting Units

Determines the units for the acceleration and deceleration times set to C1-01 through C1-09 using parameter C1-10.

No.	Parameter Name	Setting Range	Default
C1-10	Accel/Decel Time Setting Units	0, 1	1

#### Setting 0: 0.01 s units

The accel/decel times are set in 0.01 s units. The setting range is 0.00 to 600.00 s. C1-10 cannot be set to 0 if any of the parameters C1-01 to C1-09 is set to 600.1 s or longer.

**Setting 1: 0.1 s units**

The accel/decel times are set in 0.1 s units. The setting range is 0.0 to 6000.0 s.

**■ C1-11: Accel/Decel Time Switching Frequency**

Sets the frequency at which the drive switches between accel/decel time settings. *Refer to Switching Accel/Decel Times by a Frequency Level on page 192* for details.

No.	Parameter Name	Setting Range	Default
C1-11	Accel/Decel Time Switching Frequency	0.0 to 400.0 Hz <I>	Determined by A1-02 <I>

<I> In AOLV/PM and CLV/PM control modes, the setting units and range are expressed as a percentage (0.0 to 100.0%) instead of in Hz.

**Note:** Setting C1-11 to 0.0 disables this function.

**◆ C2: S-Curve Characteristics**

Use S-curve characteristics to smooth acceleration and deceleration and minimize abrupt shock to the load. Set S-curve characteristic time during acceleration/deceleration at start and acceleration/deceleration at stop. Increase the value set to C2-01 if the STo fault (Step Out Detection) occurs when starting a PM motor.

**■ C2-01 to C2-04: S-Curve Characteristics**

C2-01 through C2-04 set separate S-curves for each section of the acceleration or deceleration.

No.	Parameter Name	Setting Range	Default
C2-01	S-Curve Characteristic at Accel Start	0.00 to 10.00 s	Determined by A1-02
C2-02	S-Curve Characteristic at Accel End		0.20 s
C2-03	S-Curve Characteristic at Decel Start		0.20 s
C2-04	S-Curve Characteristic at Decel End		0.00 s

Figure 5.33 illustrates S-curve application.

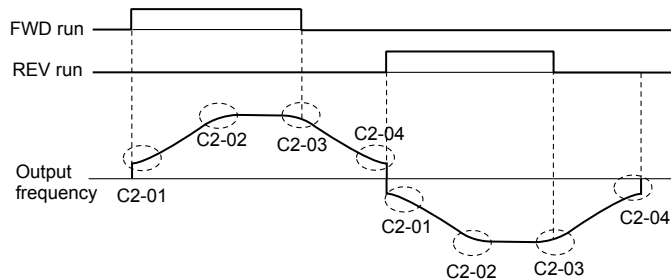


Figure 5.33 S-Curve Timing Diagram - FWD/REV Operation

Setting the S-curve will increase the acceleration and deceleration times.

- Actual accel time = accel time setting + (C2-01 + C2-02) / 2
- Actual decel time = decel time setting + (C2-03 + C2-04) / 2

**◆ C3: Slip Compensation**

The Slip Compensation function improves the speed accuracy of an induction motor. By adjusting the output frequency in accordance with the motor load, it compensates the slip and makes the motor speed equal to the frequency reference.

**Note:** Perform Auto-Tuning and make sure that the motor rated current (E2-01), the motor rated slip (E2-02), and the no-load current (E2-03) have all been set properly before making any adjustments to slip compensation parameters.

**■ C3-01: Slip Compensation Gain**

Sets the gain for the motor slip compensation function. Although this parameter rarely needs to be changed, adjustments may be necessary under the following circumstances:

- Increase the setting if the motor at constant speed is slower than the frequency reference.
- Decrease the setting if the motor at constant speed is faster than the frequency reference.

### 5.3 C: Tuning

No.	Parameter Name	Setting Range	Default
C3-01	Slip Compensation Gain	0.0 to 2.5	Determined by A1-02

**Note:** Default setting is 0.0 in V/f Control (A1-02 = 0), and 1.0 in Open Loop Vector Control (A1-02 = 2). In Closed Loop Vector Control, slip compensation corrects inaccuracies that can result from temperature fluctuation in the rotor.

#### ■ C3-02: Slip Compensation Primary Delay Time

Adjusts the filter on the output side of the slip compensation function. Although this parameter rarely needs to be changed, adjustments may be necessary in the following situations:

- Decrease the setting when the slip compensation response is too slow.
- Increase this setting when speed is unstable.

No.	Parameter Name	Setting Range	Default
C3-02	Slip Compensation Primary Delay Time	0 to 10000 ms	Determined by A1-02

**Note:** Default for V/f Control (A1-02 = 0) is 2000 ms. Default for Open Loop Vector Control (A1-02 = 2) is 200 ms.

#### ■ C3-03: Slip Compensation Limit

Sets the upper limit for the slip compensation function as a percentage of the motor rated slip (E2-02).

No.	Parameter Name	Setting Range	Default
C3-03	Slip Compensation Limit	0 to 250%	200%

The slip compensation limit is constant throughout the constant torque range (frequency reference  $\leq$  E1-06). In the constant power range (frequency reference  $\geq$  E1-06), it is increased based on C3-03 and the output frequency as shown in the following diagram.

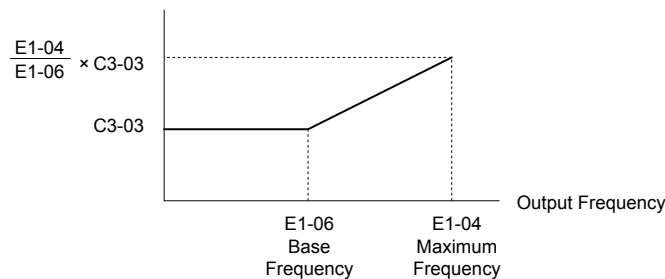


Figure 5.34 Slip Compensation Limit

#### ■ C3-04: Slip Compensation Selection during Regeneration

Enables or disables slip compensation during regenerative operation.

This function does not operate when the output frequency is too low, regardless of whether it has been enabled.

No.	Parameter Name	Setting Range	Default
C3-04	Slip Compensation Selection during Regeneration	0 to 2	0

##### Setting 0: Disabled

Slip compensation is not provided. Depending on the load and mode of operation, the actual motor speed will be lower or higher than the frequency reference.

##### Setting 1: Enabled (6 Hz and above)

Slip compensation is enabled during regenerative operation. It will not be active at output frequencies below 6 Hz.

##### Setting 2: Enabled (compensation provided wherever possible)

Slip compensation is enabled during regenerative operation and at frequencies as low as 2 Hz. The drive uses the motor rated slip set to E2-02 to automatically calculate the frequency range where compensation will be disabled.

#### ■ C3-05: Output Voltage Limit Operation Selection

Determines if the motor flux reference is automatically reduced when output voltage reaches the saturation range.

If the input power supply voltage is low or the motor has a high voltage rating, this function improves the speed precision when moving heavy loads at high speeds. When selecting the drive, remember that the reduction in flux causes a slightly higher current at high speed when this function is enabled.

No.	Parameter Name	Setting Range	Default
C3-05	Output Voltage Limit Operation Selection	0, 1	0

**Setting 0: Disabled**

**Setting 1: Enabled**

### ■ C3-21: Motor 2 Slip Compensation Gain

Improves the speed accuracy for motor 2 and functions in the same way that C3-01 functions for motor 1. Adjust this parameter only after setting the motor rated current (E4-01), motor rated slip (E4-02), and the motor no-load current (E4-03).

*Refer to C3-01: Slip Compensation Gain on page 193* for details on adjusting this parameter.

No.	Parameter Name	Setting Range	Default
C3-21	Motor 2 Slip Compensation Gain	0.0 to 2.5	Determined by E3-01

**Note:** Default setting is 0.0 in V/f Control (E3-01 = 0). Default setting is 1.0 in Open Loop Vector Control (E3-01 = 2) and Closed Loop Vector Control (E3-01 = 3). In Closed Loop Vector Control, slip compensation gain acts as an adaptable gain.

### ■ C3-22: Motor 2 Slip Compensation Primary Delay Time

Functions for motor 2 the same way that C3-02 functions for motor 1.

*Refer to C3-02: Slip Compensation Primary Delay Time on page 194* for details on adjusting this parameter.

No.	Parameter Name	Setting Range	Default
C3-22	Motor 2 Slip Compensation Primary Delay Time	0 to 10000 ms	Determined by A1-02

**Note:** The default for V/f Control (E3-01 = 0) is 2000 ms. The default for Open Loop Vector Control (E3-01 = 2) is 200 ms.

### ■ C3-23: Motor 2 Slip Compensation Limit

Sets the upper limit for the slip compensation function as a percentage of the motor rated slip (E4-02).

No.	Parameter Name	Setting Range	Default
C3-23	Motor 2 Slip Compensation Limit	0 to 250%	200%

The slip compensation limit is constant throughout the constant torque range (frequency reference  $\leq$  E3-06). In the constant power range (frequency reference  $\geq$  E3-06), it is increased based on C3-23 and the output frequency as illustrated in [Figure 5.35](#).

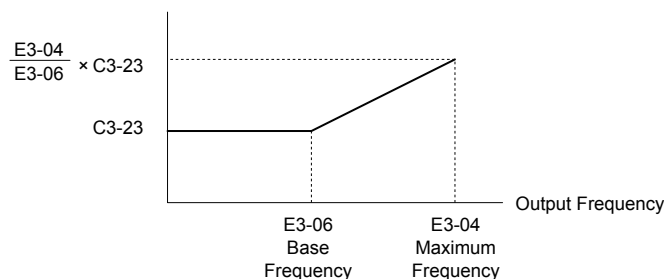


Figure 5.35 Slip Compensation Limit

### ■ C3-24: Motor 2 Slip Compensation Selection during Regeneration

Functions for motor 2 the same way that C3-04 functions for motor 1.

*Refer to C3-04: Slip Compensation Selection during Regeneration on page 194* for details on adjusting this parameter.

No.	Parameter Name	Setting Range	Default
C3-24	Motor 2 Slip Compensation Selection during Regeneration	0 to 2	0

**Setting 0: Disabled**



## 5.3 C: Tuning

**Setting 1: Enabled (6 Hz and above)**

**Setting 2: Enabled (compensation provided wherever possible)**

### ◆ C4: Torque Compensation

The torque compensation function compensates for insufficient torque production at start-up or when a load is applied.

**Note:** Set the motor parameters and V/f pattern properly before setting torque compensation parameters.

#### ■ C4-01: Torque Compensation Gain

Sets the gain for the torque compensation function.

No.	Parameter Name	Setting Range	Default
C4-01	Torque Compensation Gain	0.00 to 2.50	Determined by A1-02

#### Torque Compensation in V/f, V/f w/PG, and OLV/PM:

The drive calculates the motor primary voltage loss using the output current and the termination resistor value (E2-05 for IM motors, E5-05 for PM motors) and adjusts the output voltage to compensate for insufficient torque at start or when load is applied. The effects of this voltage compensation can be increased or decreased using parameter C4-01.

#### Torque Compensation in OLV:

The drive controls the motor excitation current (d-Axis current) and torque producing current (q-Axis current) separately. Torque compensation affects the torque producing current only. C4-01 works as a factor of the torque reference value that builds the torque producing current reference.

#### Adjustment

Although this parameter rarely needs to be changed, it may be necessary to adjust the torque compensation gain in small steps of 0.05 in the following situations:

- Increase this setting when using a long motor cable.
- Decrease this setting when motor oscillation occurs.

Adjust C4-01 so the output current does not exceed the drive rated current.

- Note:**
1. Refrain from adjusting torque compensation in Open Loop Vector Control, as it can have a negative effect on torque accuracy.
  2. Refrain from adjusting this parameter in OLV/PM. Setting this value too high can cause overcompensation and motor oscillation.

#### ■ C4-02: Torque Compensation Primary Delay Time

Sets the delay time used for applying torque compensation.

No.	Parameter Name	Setting Range	Default
C4-02	Torque Compensation Primary Delay Time	0 to 60000 ms	Determined by A1-02

#### Adjustment

Although C4-02 rarely needs to be changed, adjustments may be necessary in the following situations:

- Increase this setting if the motor vibrates.
- Decrease this setting if the motor responds too slowly to changes in the load.

#### ■ C4-03: Torque Compensation at Forward Start (OLV)

Sets the amount of torque at start in the forward direction to improve motor performance during start with a heavy load. Compensation is applied using the time constant set in parameter C4-05. Enable this function when the load pulls the motor in reverse when starting with a Forward run command. Setting 0.0% disables this feature.

No.	Parameter Name	Setting Range	Default
C4-03	Torque Compensation at Forward Start	0.0 to 200.0%	0.0%

#### ■ C4-04: Torque Compensation at Reverse Start (OLV)

Sets the amount of torque reference at start in the reverse direction to improve motor performance during start with heavy load. Compensation is applied using the Torque Compensation Time set in parameter C4-05. Enable this function if the load pulls the motor in the forward direction when starting with a Reverse run command. Setting 0.0% disables this feature.



No.	Parameter Name	Setting Range	Default
C4-04	Torque Compensation at Reverse Start	-200.0 to 0.0%	0.0%

### ■ C4-05: Torque Compensation Time Constant (OLV)

Sets the time constant for applying the torque compensation at start that is set to C4-03 and C4-04.

No.	Parameter Name	Setting Range	Default
C4-05	Torque Compensation Time Constant	0 to 200 ms	10 ms

### ■ C4-07: Motor 2 Torque Compensation Gain

Functions for motor 2 the same way that C4-01 functions for motor 1.

Refer to [C3-01: Slip Compensation Gain on page 193](#) for details on adjusting this parameter.

No.	Parameter Name	Setting Range	Default
C4-07	Motor 2 Torque Compensation Gain	0.00 to 2.50	1.00

## ◆ C5: Automatic Speed Regulator (ASR)

The ASR controls the motor speed in V/f w/PG, CLV, AOLV/PM, and CLV/PM control modes and adjusts the output frequency (V/f w/PG) or torque reference (CLV, AOLV/PM, CLV/PM) to minimize the difference between frequency reference and actual motor speed.

[Figure 5.36](#) and [Figure 5.37](#) illustrate ASR functionality:

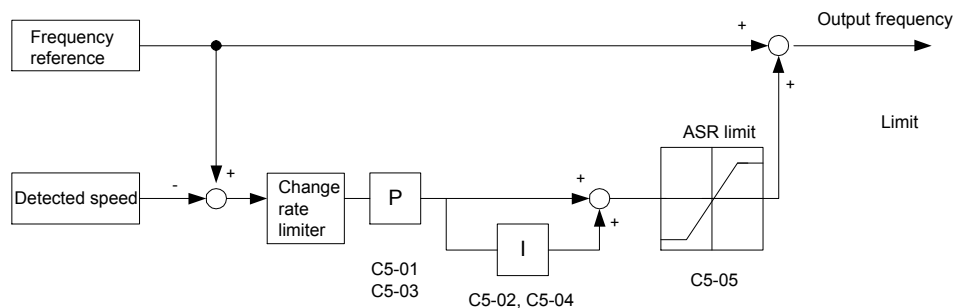


Figure 5.36 Speed Control Block Diagram for V/f Control with PG

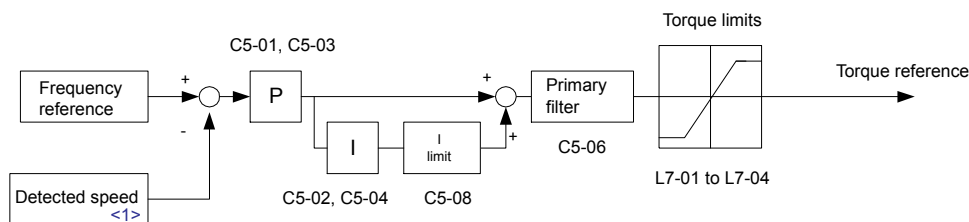


Figure 5.37 Speed Control Block Diagram for CLV, AOLV/PM and CLV/PM

<1> AOLV/PM estimates the speed using the motor model and does not require an encoder feedback signal.

### ■ Adjusting the ASR Parameters

Perform Auto-Tuning and set up all motor data correctly prior to adjusting ASR parameters.

Use analog output signals to monitor the frequency reference after softstarter (U1-16) and the motor speed (U1-05) when adjusting the ASR. Refer to [H4: Multi-Function Analog Outputs on page 272](#) for details on setting up analog output functions.

Generally when tuning the ASR, optimize the ASR gain before adjusting the integral time settings. Always make adjustments with the load connected to the motor.

#### Adjusting the ASR Parameters in V/f Control with PG

In V/f Control with PG, the ASR settings change between two sets of parameters depending on the motor speed as described in [C5-01, C5-03/C5-02, C5-04: ASR Proportional Gain 1, 2/ASR Integral Time 1, 2](#) on page 199.

### 5.3 C: Tuning

Perform the following steps for adjusting ASR parameters:

1. Run the motor at minimum speed and increase ASR gain 2 (C5-03) as much as possible without oscillation.
2. Run the motor at minimum speed and decrease ASR integral time 2 (C5-04) as much as possible without oscillation.
3. Check the output current monitor to make sure that the output current is less than 50% of the drive rated current. If the value is higher than 50%, decrease C5-03 and increase C5-04.
4. Run the motor at maximum speed and increase ASR gain 1 (C5-01) as much as possible without oscillations.
5. Run the motor at maximum speed and decrease ASR integral time 1 (C5-02) as much as possible without oscillations.
6. If higher speed precision and faster response during acceleration or deceleration are required, enable integral control during accel/decel by setting parameter C5-12 to 1. Change the speed and make sure no over/undershoot occurs.

#### Adjusting the ASR Parameters in CLV, AOLV/PM, and CLV/PM

The drive is preset to use ASR settings C5-01/02 over the entire speed range in CLV, AOLV/PM, and CLV/PM. If required by the application, a second set of ASR parameters (C5-03/04) can be automatically activated depending on the motor speed or by using a digital input. *Refer to C5-01, C5-03/C5-02, C5-04: ASR Proportional Gain 1, 2/ASR Integral Time 1, 2 on page 199.*

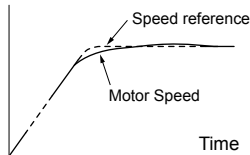
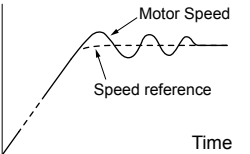
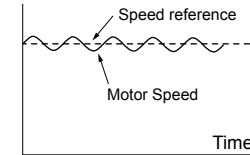
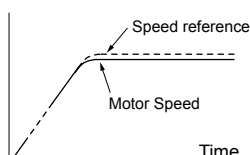
Perform the following steps for adjusting ASR parameters:

1. Run the motor at zero speed and increase the ASR gain (C5-01) as much as possible without oscillation.
2. Run the motor at zero speed and decrease the ASR integral time (C5-02) as much as possible without oscillation.
3. Run at the normal operating speed. Check for over/undershoot when changing speed and for any oscillation.
4. If problems occur in step 3, increase the integral time and reduce the gain.  
Alternatively, use different ASR settings for high and low speed. Set the values from step 1 and 2 to parameters C5-03 and C5-04, then set an ASR switching frequency in parameter C5-07. Run the motor at a speed higher than C5-07 and repeat step 3 while adjusting C5-01 and C5-02.

#### Solving Problems During ASR Setup

Use [Table 5.15](#) when making adjustments to ASR. Though the parameters listed below are for motor 1, the same changes can be made to the corresponding motor 2 parameters when running a second motor.

**Table 5.15 ASR Setup Problems and Corrective Actions**

Problem		Possible Solutions
Slow response to speed changes or speed deviation lasts for too long		<ul style="list-style-type: none"> <li>• Increase the ASR gain.</li> <li>• Decrease the integral time.</li> </ul>
Overshoot or undershoot at the end of acceleration or deceleration		<ul style="list-style-type: none"> <li>• Decrease the ASR gain.</li> <li>• Increase the integral time.</li> </ul>
Vibration and oscillation occur at constant speed		<ul style="list-style-type: none"> <li>• Decrease the ASR gain.</li> <li>• Increase the integral time.</li> <li>• Increase the ASR delay time (C5-06).</li> </ul>
The motor slip is not fully compensated when running in V/f Control with PG		<ul style="list-style-type: none"> <li>• Check the pulse number set to F1-01 and the gear ratio in F1-12 and F1-13.</li> <li>• Make sure the pulse signal from the encoder is set up properly.</li> <li>• Check monitor U6-04 and determine if the ASR is working at its output limit (setting of C5-05). If the ASR is at the output limit, increase C5-05.</li> </ul>
Integral operation is enabled in V/f Control with PG (C5-12 = 1) and over/undershoot occurs when changing speed.	-	<ul style="list-style-type: none"> <li>• Decrease the ASR gain.</li> <li>• Increase the integral time.</li> <li>• Reduce the ASR output limit set in C5-05.</li> </ul>

Problem		Possible Solutions
Oscillation at low speed and response is too slow at high speed (or vice versa)	-	<ul style="list-style-type: none"> <li>V/f control: Use C5-01/02 and C5-03/04 to set up different ASR settings at minimum and maximum speed.</li> <li>CLV, AOLV/PM, CLV/PM: Use C5-01, C5-02 and C5-03, C5-04 to define optimal ASR settings for high and low speed. Use C5-07 to define a switching frequency.</li> </ul>

### ■ C5-01, C5-03/C5-02, C5-04: ASR Proportional Gain 1, 2/ASR Integral Time 1, 2

These parameters adjust the responsiveness of the ASR.

**Note:** C5-01 is automatically set when ASR Tuning is performed (T1-01 = 9 or T2-01 = 9).

No.	Parameter Name	Setting Range	Default
C5-01	ASR Proportional Gain 1	0.00 to 300.00	Determined by A1-02
C5-02	ASR Integral Time 1	0.000 to 10.000 s	Determined by A1-02
C5-03	ASR Proportional Gain 2	0.00 to 300.00	Determined by A1-02
C5-04	ASR Integral Time 2	0.000 to 10.000 s	Determined by A1-02

These parameter settings will function differently depending on the control mode.

#### V/f Control with PG

Parameters C5-01 and C5-02 determine the ASR characteristics at maximum speed. Parameters C5-03 and C5-04 determine the characteristics at minimum speed.

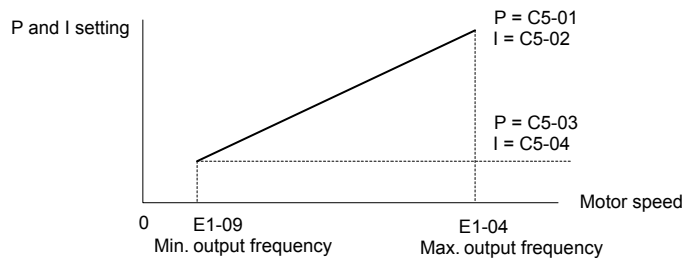


Figure 5.38 ASR Gain and Integral Time in V/f w/PG

#### CLV, AOLV/PM, and CLV/PM

In these control modes, parameters C5-03 and C5-04 define the ASR gain and integral time at zero speed. The settings in C5-01 and C5-02 are used at speeds above the setting in C5-07. C5-07 is set to 0 as the default so that C5-01 and C5-02 are used over the entire speed range. *Refer to C5-07: ASR Gain Switching Frequency on page 200.*

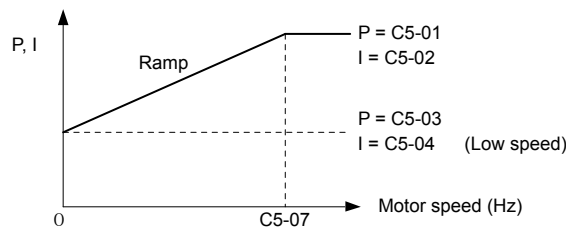


Figure 5.39 Low-speed and High-speed Gain Settings

The gain set in C5-03 can also be activated with a digital input programmed to “ASR gain switch” (H1-□□ = 77). When the terminal is open, the drive uses the ASR gain level set by the pattern in the figure above. When the terminal closes, C5-03 is used. The integral time set to C5-02 is used to change linearly between these settings. The ASR gain switch command from a multi-function input terminal overrides the switching frequency set to C5-07.

## 5.3 C: Tuning

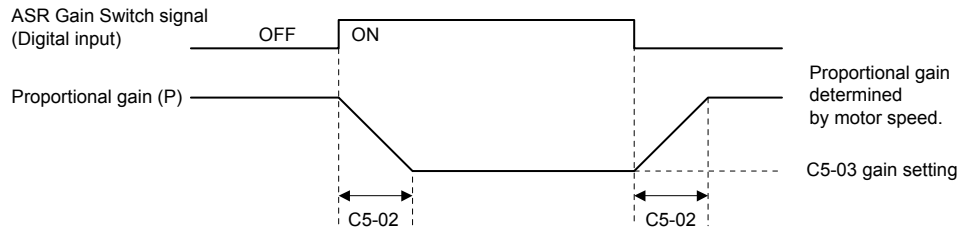


Figure 5.40 ASR Proportional Gain Switch

### ASR Gain Tuning (C5-01, C5-03)

The higher this setting, the faster the speed response, although a setting that is too high can lead to oscillation. Increase this setting with larger loads to minimize the speed deviation.

### ASR Integral Time Tuning (C5-02, C5-04)

Determines how fast a continuous speed deviation problem is eliminated. A setting that is too long reduces the responsiveness of the speed control. A setting that is too short can cause oscillation.

### ■ C5-05: ASR Limit

Sets the ASR output limit as a percentage of the maximum output frequency (E1-04). If the motor rated slip is high, the setting might need to be increased to provide proper motor speed control. Use the ASR output monitor U6-04 to determine if ASR is working at the limit set in C5-05. If ASR is working at the limit, make sure the PG pulses (F1-01), PG gear teeth (F1-12, F1-13), and the PG signal are set correctly before making further changes to C5-05.

No.	Parameter Name	Setting Range	Default
C5-05	ASR Limit	0.0 to 20.0%	5.0%

### ■ C5-06: ASR Primary Delay Time Constant

Sets the filter time constant for the time from the speed loop to the torque command output. Increase this setting gradually in increments of 0.01 for loads with low rigidity or when oscillation is a problem. This parameter rarely needs to be changed.

No.	Parameter Name	Setting Range	Default
C5-06	ASR Primary Delay Time Constant	0.000 to 0.500 s	Determined by A1-02

### ■ C5-07: ASR Gain Switching Frequency

Sets the frequency where the drive should switch between ASR proportional gain 1 and 2 (C5-01, C5-03) as well as between integral time 1 and 2 (C5-02, C5-04).

No.	Parameter Name	Setting Range	Default
C5-07	ASR Gain Switching Frequency	0.0 to 400.0 Hz <1>	Determined by A1-02 <1>

<1> In AOLV/PM and CLV/PM control modes the setting units and range are expressed as a percent (0.0 to 100.0%) instead of in Hz.

**Note:** A multi-function input set for the ASR gain switch (H1-□□ = 77) takes priority over the ASR gain switching frequency.

Switching the proportional gain and integral time in the low or high speed range can help stabilize operation and avoid resonance problems. A good switching point is 80% of the frequency where oscillation occurs or at 80% of the target speed. [Refer to C5-01, C5-03/C5-02, C5-04: ASR Proportional Gain 1, 2/ASR Integral Time 1, 2 on page 199.](#)

### ■ C5-08: ASR Integral Limit

Sets the upper limit for ASR as a percentage of the rated load.

No.	Parameter Name	Setting Range	Default
C5-08	ASR Integral Limit	0 to 400%	400%

### ■ C5-12: Integral Operation during Accel/Decel (V/f w/PG)

Enables integral operation during acceleration and deceleration. Use integral operation when driving a heavy load or a high inertia load (default). Set C5-12 to 1 to use integral operation for low inertia/high performance loads. Enabling integral operation may cause problems with overshoot at the end of acceleration and deceleration. [Refer to ASR Setup Problems and Corrective Actions on page 198](#) to solve such problems.

No.	Parameter Name	Setting Range	Default
C5-12	Integral Operation during Accel/Decel	0, 1	0

**Setting 0: Disabled**

Integral operation occurs only during constant speed and not during acceleration or deceleration.

**Setting 1: Enabled**

Integral operation is always enabled.

**■ C5-17, C5-18: Motor Inertia, Load Inertia Ratio**

C5-17 and C5-18 determine the ratio of the machine inertia to the inertia of the motor being used.

Example: Setting C5-18 to 2.0 reflects a load inertia that is twice the motor inertia.

These parameters are set automatically when Inertia Tuning and ASR Tuning are performed in CLV and CLV/PM control modes. [Refer to Auto-Tuning on page 130](#) for details on Auto-Tuning or enter the data manually.

No.	Parameter Name	Setting Range	Default
C5-17	Motor Inertia	0.0001 to 600.00 kgm <sup>2</sup>	Determined by C6-01, E5-01 and o2-04
C5-18	Load Inertia Ratio	0.0 to 6000.0	1.0

**■ C5-21, C5-23 / C5-22, C5-24: Motor 2 ASR Proportional Gain 1, 2 / Integral Time 1, 2**

These parameters function for motor 2 the same way that C5-01 through C5-04 function for motor 1. [Refer to C5-01, C5-03/C5-02, C5-04: ASR Proportional Gain 1, 2/ASR Integral Time 1, 2 on page 199](#) for details.

No.	Parameter Name	Setting Range	Default
C5-21	Motor 2 ASR Proportional Gain 1	0.00 to 300.00	Determined by E3-01
C5-22	Motor 2 ASR Integral Time 1	0.000 to 10.000 s	Determined by E3-01
C5-23	Motor 2 ASR Proportional Gain 2	0.00 to 300.00	Determined by E3-01
C5-24	Motor 2 ASR Integral Time 2	0.000 to 10.000 s	Determined by E3-01

**■ C5-25: Motor 2 ASR Limit**

Functions for motor 2 the same way that C5-05 functions for motor 1. Sets the ASR output limit for motor 2 as a percentage of the maximum output frequency (E4-04). [Refer to C5-05: ASR Limit on page 200](#) for details.

No.	Parameter Name	Setting Range	Default
C5-25	Motor 2 ASR Limit	0.0 to 20.0%	5.0%

**■ C5-26: Motor 2 ASR Primary Delay Time Constant**

Functions for motor 2 the same way that C5-06 functions for motor 1. Sets the filter time constant for the time from the speed loop to the torque command output. [Refer to C5-06: ASR Primary Delay Time Constant on page 200](#) for details. This parameter rarely needs to be changed.

No.	Parameter Name	Setting Range	Default
C5-26	Motor 2 ASR Primary Delay Time Constant	0.000 to 0.500 s	0.004 s

**■ C5-27: Motor 2 ASR Gain Switching Frequency**

Functions for motor 2 the same way that C5-07 functions for motor 1. Sets the frequency for motor 2 to change ASR proportional gain 1 and 2 (C5-21, C5-23) as well as the integral time 1 and 2 (C5-22, C5-24). [Refer to C5-01, C5-03/C5-02, C5-04: ASR Proportional Gain 1, 2/ASR Integral Time 1, 2 on page 199](#) for details.

No.	Parameter Name	Setting Range	Default
C5-27	Motor 2 ASR Gain Switching Frequency	0.0 to 400.0 Hz	0.0 Hz

**Note:** A multi-function input set for the ASR gain switch (H1-□□ = 77) takes priority over the ASR gain switching frequency.

**■ C5-28: Motor 2 ASR Integral Limit**

Functions for motor 2 the same way that C5-08 functions for motor 1. Sets the upper limit for ASR as a percentage of the rated load. [Refer to C5-08: ASR Integral Limit on page 200](#) for details.

### 5.3 C: Tuning

No.	Parameter Name	Setting Range	Default
C5-28	Motor 2 ASR Integral Limit	0 to 400%	400%

#### ■ C5-32: Integral Operation during Accel/Decel for Motor 2

Functions for motor 2 the same way that C5-12 functions for motor 1. Enables integral operation during acceleration and deceleration. [Refer to C5-12: Integral Operation during Accel/Decel \(V/f w/PG\) on page 200](#) for details.

No.	Parameter Name	Setting Range	Default
C5-32	Integral Operation during Accel/Decel for Motor 2	0, 1	0

#### Setting 0: Disabled

Integral operation occurs only during constant speed and not during acceleration or deceleration.

#### Setting 1: Enabled

Integral operation is always enabled.

#### ■ C5-37, C5-38: Motor 2 Inertia, Motor 2 Load Inertia Ratio

These parameters function for motor 2 the same way that C5-17 and C5-18 function for motor 1. These parameters are set automatically when Inertia Tuning and ASR Tuning are performed for motor 2 in CLV and CLV/PM control modes. [Refer to Auto-Tuning on page 130](#) for details on Auto-Tuning or enter the data manually.

No.	Parameter Name	Setting Range	Default
C5-37	Motor 2 Inertia	0.0001 to 600.00 kgm <sup>2</sup>	Determined by C6-01 and o2-04
C5-38	Motor 2 Load Inertia Ratio	0.0 to 6000.0	1.0

### ◆ C6: Carrier Frequency

#### ■ C6-01: Drive Duty Mode Selection

The drive has two different duty modes from which to select based on the load characteristics. The drive rated current, overload capacity, and maximum output frequency will change depending upon the duty mode selection. Use parameter C6-01 to select Heavy Duty (HD) or Normal Duty (ND) for the application. [Refer to Heavy Duty and Normal Duty Ratings on page 430](#) for details about the rated current.

No.	Parameter Name	Setting Range	Default
C6-01	Duty Mode Selection	0, 1	1 (ND)

Table 5.16 Differences between Heavy Duty and Normal Duty

Characteristics	Heavy Duty Rating (HD)	Normal Duty Rating (ND)
C6-01	0	1
Performance		
Application	Use Heavy Duty Rating for applications requiring a high overload tolerance with constant load torque, such as extruders and conveyors.	Use Normal Duty Rating for applications in which the torque requirements drop along with the speed, such as fans and pumps where a high overload tolerance is not required.
Overload capability (oL2)	150% of drive rated Heavy Duty current for 60 s	120% of drive rated Normal Duty current for 60 s
Stall Prevention during Acceleration (L3-02)	150%	120%
Stall Prevention during Run (L3-06)	150%	120%



Characteristics	Heavy Duty Rating (HD)	Normal Duty Rating (ND)
Default Carrier Frequency	4 kHz	4 kHz

**Note:** Changing the Duty Mode selection automatically changes the maximum size motor that the drive can run, sets the E2-□□ parameters to appropriate values (E4-□□ for motor 2), and recalculates parameter settings determined by motor capacity (e.g., b8-04, L2-03, n5-02, C5-17, and C5-37).

## ■ C6-02: Carrier Frequency Selection

Sets the switching frequency of the drive output transistors. Changes to the switching frequency lower audible noise and reduce leakage current.

- Note:**
1. The upper limit of the carrier frequency depends on the capacity. *Refer to Rated Current Depending on Carrier Frequency on page 438.*
  2. Increasing the carrier frequency above the default value automatically lowers the drive current rating. *Refer to Rated Current Depending on Carrier Frequency on page 438.*

No.	Parameter Name	Setting Range	Default
C6-02	Carrier Frequency Selection	1 to 4, F <1>	Determined by A1-02 and o2-04. Reset when C6-01 is changed.

<1> Setting F is not available when A1-02, Control Method Selection, is set to 6 (AOLV/PM).

**Setting 1: 4.0 kHz**

**Setting 2: 6.0 kHz**

**Setting 3: 8.0 kHz**

**Setting 4: 10.0 kHz**

**Setting F: User defined (C6-03 to C6-05)**

- Note:**
1. Swing PWM uses a carrier frequency of 2.0 kHz as a base, then applies a special PWM pattern to reduce the audible noise.
  2. The value in parenthesis indicates the carrier frequency for AOLV/PM.

### Guidelines for Carrier Frequency Parameter Setup

Symptom	Remedy
Speed and torque are unstable at low speeds	Lower the carrier frequency.
Noise from the drive affects peripheral devices	
Excessive leakage current from the drive	
Wiring between the drive and motor is too long <1>	
Audible motor noise is too loud	Increase the carrier frequency or use Swing PWM.

<1> The carrier frequency may need to be lowered if the motor cable is too long. Refer to [Table 5.17](#).

**Table 5.17 Wiring Distance and Carrier Frequency**

Wiring Distance	Up to 50 m	Greater than 50 m
Recommended setting value for C6-02	1 to 4 (up to 10 kHz)	1 (up to 4 kHz)

**Note:** The maximum cable length is 100 m when using OLV/PM (A1-02 = 5) or AOLV/PM (A1-02 = 6).

## ■ C6-03, C6-04, C6-05: Carrier Frequency Upper Limit, Lower Limit, Proportional Gain

These parameters set a user-defined or a variable carrier frequency. Set C6-02 to F to set the upper and lower limits and the carrier frequency proportional gain.

No.	Parameter Name	Setting Range	Default
C6-03	Carrier Frequency Upper Limit	4.0 to 10.0 kHz <1>	Determined by C6-02
C6-04	Carrier Frequency Lower Limit (V/f Control only)	4.0 to 10.0 kHz <1>	
C6-05	Carrier Frequency Proportional Gain (V/f Control only)	0 to 99 <1>	

<1> Available only when C6-02 is set to F.

### Setting a Fixed User Defined Carrier Frequency

A carrier frequency between the fixed selectable values can be entered in parameter C6-03 when C6-02 is set to F. In V/f Control, adjust parameter C6-04 to the same value as C6-03.

## 5.3 C: Tuning

### Setting a Variable Carrier Frequency (V/f Control)

In V/f Control, the carrier frequency can be set up to change linearly with the output frequency by setting the upper and lower limits for the carrier frequency and the carrier frequency proportional gain (C6-03, C6-04, C6-05).

#### ■ C6-09: Carrier Frequency during Rotational Auto-Tuning

Determines the carrier frequency while performing Rotational Auto-Tuning. Although this parameter rarely needs to be changed, when overcurrent problems occur when Auto-Tuning a high frequency motor or low impedance motor, it may be helpful to set C6-03 to a high value before setting C6-09 to 1.

No.	Parameter Name	Setting Range	Default
C6-09	Carrier Frequency during Rotational Auto-Tuning	0, 1	0

**Setting 0: Carrier frequency = 4 kHz**

**Setting 1: Same value set to C6-03**

### ◆ C7: Voltage Adjustment

#### ■ C7-43: Input Voltage Offset Adjustment

**Note:** Adjustment is completed at the factory. Do not change the setting of this parameter.

Enables adjustment of the offset for the input voltage circuit when the control board is replaced.

Changing the value of o2-04 will trigger an oPE30 error. The input voltage offset must be adjusted when the error occurs. If the combination of the control board and drive does not change, set this parameter to 0002 (offset adjustment not required).

Contact Yaskawa or a Yaskawa representative if it becomes necessary to replace the control board.

No.	Parameter Name	Setting Range	Default
C7-43	Input Voltage Offset Adjustment	0000 to 9999	0000

**Setting 0000: Standard**

**Setting 0002: Offset Adjustment Not Required**

#### ■ C7-56: Power Factor Control Selection

Power factor control improves the input power supply power factor according to the operating conditions.

This parameter rarely requires adjustment, but may be enabled to improve the power factor in the low output region. Power factor control is not suitable for applications with frequent load fluctuations.

This function is disabled in High Output Voltage Mode (C7-60 = 1).

No.	Parameter Name	Setting Range	Default
C7-56	Power Factor Control Selection	0, 1	0

**Setting 0: Power Factor Control Disabled**

**Setting 1: Power Factor Control Enabled**

#### ■ C7-60: Output Voltage Limit Mode Selection

Sets the mode to limit the output voltage.

Set this parameter to 0 (Harmonic suppression priority mode) to give priority to harmonic suppression. The maximum output voltage is automatically limited to suppress harmonics.

Set this parameter to 1 (High output voltage mode) to give priority to the output voltage over harmonic suppression. The effectiveness of harmonic suppression will be reduced because the maximum output voltage will be used.

No.	Parameter Name	Setting Range	Default
C7-60	Output Voltage Limit Mode Selection	0, 1	1

**Setting 0: Harmonic Suppression Priority Mode**

**Setting 1: High Output Voltage Mode**



## 5.4 d: Reference Settings

The figure below gives an overview of the reference input, selections, and priorities.

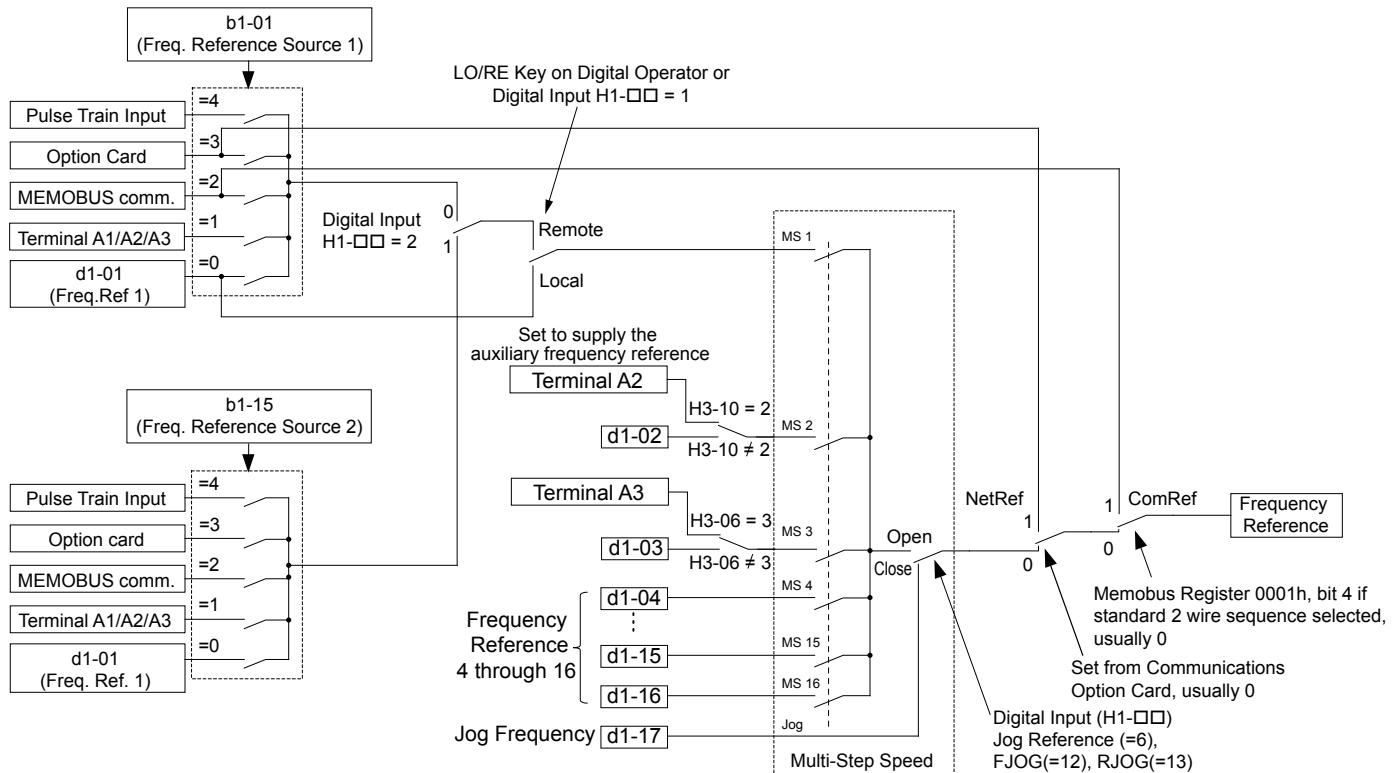


Figure 5.41 Frequency Reference Setting Hierarchy

### ◆ d1: Frequency Reference

#### ■ d1-01 to d1-17: Frequency Reference 1 to 16 and Jog Frequency Reference

The drive lets the user switch between up to 17 preset frequency references during run (including the Jog reference) through the digital input terminals. The drive uses the acceleration and deceleration times that have been selected when switching between each frequency reference.

The Jog frequency overrides all other frequency references and must be selected by a separate digital input.

The multi-speed references 1, 2, and 3 can be provided by analog inputs.

No.	Parameter Name	Setting Range	Default
d1-01 to d1-16	Frequency Reference 1 to 16	0.00 to 400.00 Hz </> </>	0.00 Hz </>
d1-17	Jog Frequency Reference	0.00 to 400.00 Hz </> </>	6.00 Hz </>

<1> The upper limit is determined by the maximum output frequency (E1-04) and upper limit for the frequency reference (d2-01).

<2> Setting units are determined by parameter o1-03. The default is "Hz" (o1-03 = 0) in V/f, V/f w/PG, OLV, CLV, and OLV/PM control modes. The default for AOLV/PM and CLV/PM control modes expresses the frequency reference as a percentage (o1-03 = 1).

#### Multi-Step Speed Selection

To use several speed references for a multi-step speed sequence, set the H1-□□ parameters to 3, 4, 5, and 32. To assign the Jog reference to a digital input, set H1-□□ to 6.

Notes on using analog inputs as Multi-Speed 1, 2, and 3:

##### • Multi-Step Speed 1

Set b1-01 to 1 to set terminal A1 analog input to Multi-Step Speed 1.

Set b1-01 to 0 when setting d1-01, Frequency Reference 1, to Multi-Step Speed 1.

##### • Multi-Step Speed 2

## 5.4 d: Reference Settings

Set H3-06, Terminal A3 Function Selection, to 2 (Auxiliary Frequency Reference 1) when setting terminal A3 analog input to Multi-Step Speed 2.

Set H3-06 to F (Through mode) when setting d1-02, Frequency Reference 2, to Multi-Step Speed 2.

### • Multi-Step Speed 3

Set H3-10, Terminal A2 Function Selection, to 3 (Auxiliary Frequency Reference 2) when setting terminal A2 analog input to Multi-Step Speed 3.

Set H3-10 to F (Through mode) when setting d1-03, Frequency Reference 3, to Multi-Step Speed 3.

Set H3-09 to 0 and set DIP switch S1 on the control circuit terminal board to V (voltage) when inputting 0 to 10 V to terminal A2 analog input.

Select the different speed references as shown in [Table 5.18](#). [Figure 5.42](#) illustrates the multi-step speed selection.

**Table 5.18 Multi-Step Speed Reference and Terminal Switch Combinations**

Reference	Multi-Step Speed Reference H1-□□ = 3	Multi-Step Speed Reference 2 H1-□□ = 4	Multi-Step Speed Reference 3 H1-□□ = 5	Multi-Step Speed Reference 4 H1-□□ = 32	Jog Reference Selection H1-□□ = 6
Frequency Reference 1 (set in b1-01)	OFF	OFF	OFF	OFF	OFF
Frequency Reference 2 (d1-02 or input terminal A1, A2, A3)	ON	OFF	OFF	OFF	OFF
Frequency Reference 3 (d1-03 or input terminal A1, A2, A3)	OFF	ON	OFF	OFF	OFF
Frequency Reference 4 (d1-04)	ON	ON	OFF	OFF	OFF
Frequency Reference 5 (d1-05)	OFF	OFF	ON	OFF	OFF
Frequency Reference 6 (d1-06)	ON	OFF	ON	OFF	OFF
Frequency Reference 7 (d1-07)	OFF	ON	ON	OFF	OFF
Frequency Reference 8 (d1-08)	ON	ON	ON	OFF	OFF
Frequency Reference 9 (d1-09)	OFF	OFF	OFF	ON	OFF
Frequency Reference 10 (d1-10)	ON	OFF	OFF	ON	OFF
Frequency Reference 11 (d1-11)	OFF	ON	OFF	ON	OFF
Frequency Reference 12 (d1-12)	ON	ON	OFF	ON	OFF
Frequency Reference 13 (d1-13)	OFF	OFF	ON	ON	OFF
Frequency Reference 14 (d1-14)	ON	OFF	ON	ON	OFF
Frequency Reference 15 (d1-15)	OFF	ON	ON	ON	OFF
Frequency Reference 16 (d1-16)	ON	ON	ON	ON	OFF
Jog Frequency Reference (d1-17) <1>	–	–	–	–	ON

<1> The Jog frequency overrides all other frequency references.

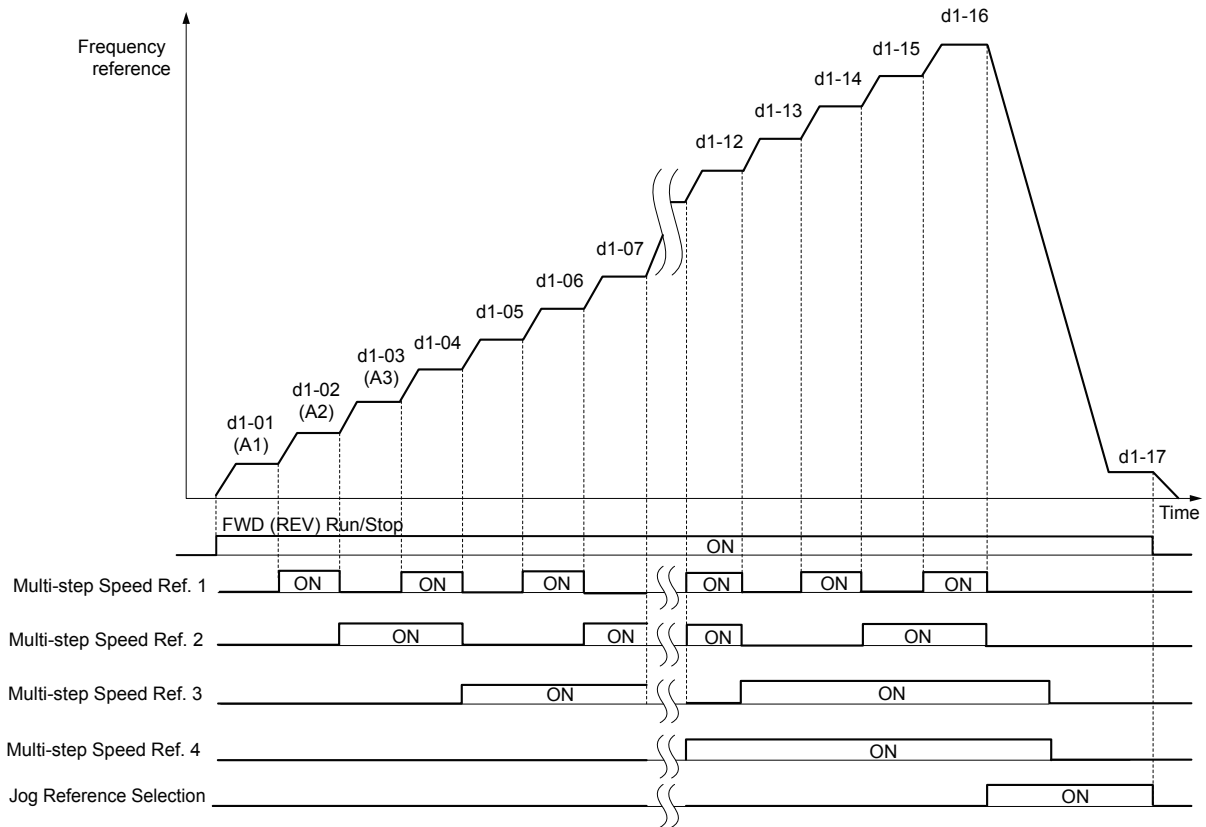


Figure 5.42 Preset Reference Timing Diagram

## ◆ d2: Frequency Upper/Lower Limits

Upper and lower frequency limits prevent motor speed from going above or below levels that may cause resonance or equipment damage.

### ■ d2-01: Frequency Reference Upper Limit

Sets the maximum frequency reference as a percentage of the maximum output frequency. This limit applies to all frequency references.

Even if the frequency reference is set to a higher value, the drive internal frequency reference will not exceed this value.

No.	Parameter Name	Setting Range	Default
d2-01	Frequency Reference Upper Limit	0.0 to 110.0%	100.0%

### ■ d2-02: Frequency Reference Lower Limit

Sets the minimum frequency reference as a percentage of the maximum output frequency. This limit applies to all frequency references.

If a lower reference than this value is entered, the drive will run at the limit set to d2-02. If the drive is started with a lower reference than d2-02, it will accelerate up to d2-02.

No.	Parameter Name	Setting Range	Default
d2-02	Frequency Reference Lower Limit	0.0 to 110.0%	0.0%

## 5.4 d: Reference Settings

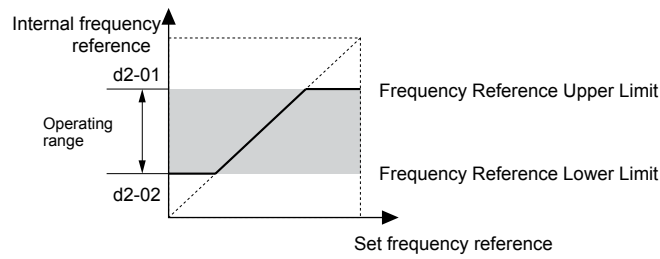


Figure 5.43 Frequency Reference: Upper and Lower Limits

### ■ d2-03: Master Speed Reference Lower Limit

Sets a lower limit as a percentage of the maximum output frequency that will only affect a frequency reference entered from the analog input terminals (A1, A2, or A3) as the master speed reference. This is unlike parameter d2-02, which affects all frequency references regardless of their source.

**Note:** When lower limits are set to both parameters d2-02 and d2-03, the drive uses the greater of those two values as the lower limit.

No.	Parameter Name	Setting Range	Default
d2-03	Master Speed Reference Lower Limit	0.0 to 110.0%	0.0%

### ◆ d3: Jump Frequency

#### ■ d3-01 to d3-04: Jump Frequencies 1, 2, 3 and Jump Frequency Width

The Jump frequencies are frequency ranges at which the drive will not operate. The drive can be programmed with three separate Jump frequencies to avoid operating at speeds that cause resonance in driven machinery. If the speed reference falls within a Jump frequency dead band, the drive will clamp the frequency reference just below the dead band and only accelerate past it when the frequency reference rises above the upper end of the dead band.

Setting parameters d3-01 through d3-03 to 0.0 Hz disables the Jump frequency function.

No.	Parameter Name	Setting Range	Default
d3-01	Jump Frequency 1	0.0 to 400.0 Hz <1>	0.0 Hz <1>
d3-02	Jump Frequency 2	0.0 to 400.0 Hz <1>	0.0 Hz <1>
d3-03	Jump Frequency 3	0.0 to 400.0 Hz <1>	0.0 Hz <1>
d3-04	Jump Frequency Width	0.0 to 20.0 Hz <2>	1.0 Hz <2>

<1> In AOLV/PM and CLV/PM control modes, the setting units and range are expressed as a percentage instead of in Hz.

<2> In AOLV/PM and CLV/PM control modes, the setting units and range are expressed as a percent instead of in Hz. The setting range is 0.0 to 40.0% and the default is 1.0%.

Figure 5.44 shows the relationship between the Jump frequency and the output frequency.

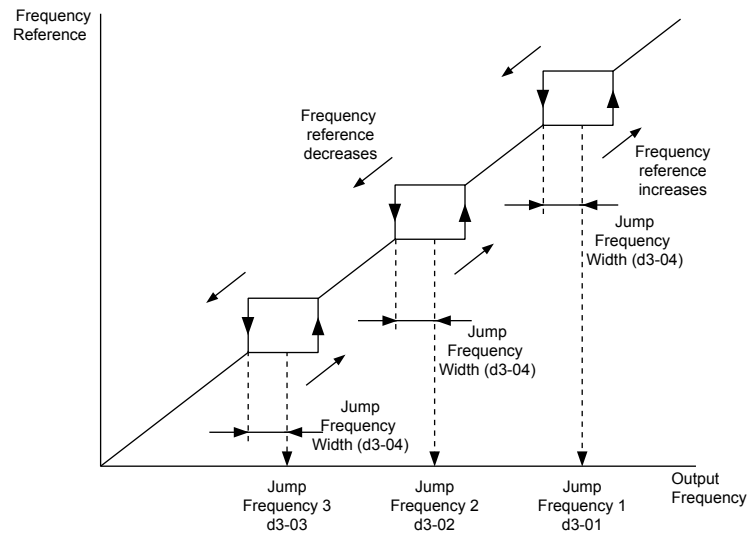


Figure 5.44 Jump Frequency Operation

- Note:**
1. The drive will use the active accel/decel time to pass through the specified dead band range, but will not allow continuous operation in that range.
  2. When setting more than one Jump frequency, make sure that the parameters do not overlap.

## ◆ d4: Frequency Reference Hold and Up/Down 2 Function

### ■ d4-01: Frequency Reference Hold Function Selection

Determines whether the frequency reference or the frequency bias (Up/Down 2) value is saved when the Stop command is entered or the power supply is shut down. This parameter is effective when either of the digital input functions listed below are used:

- Accel/decel ramp hold function (H1-□□ = A)
- Up/Down function (H1-□□ = 10 and 11)
- Up/Down 2 function (H1-□□ = 75 and 76)

No.	Parameter Name	Setting Range	Default
d4-01	Frequency Reference Hold Function Selection	0, 1	0

The operation depends on the function used with parameter d4-01.

#### Setting 0: Disabled

- Acceleration hold

The hold value will be reset to 0 Hz when the Stop command is entered or the drive power is switched off. The active frequency reference will be the value the drive uses when it restarts.

- Up/Down

The frequency reference value will be reset to 0 Hz when the Stop command is entered or the drive power is switched off. The drive will start from 0 Hz when it is restarted.

- Up/Down 2

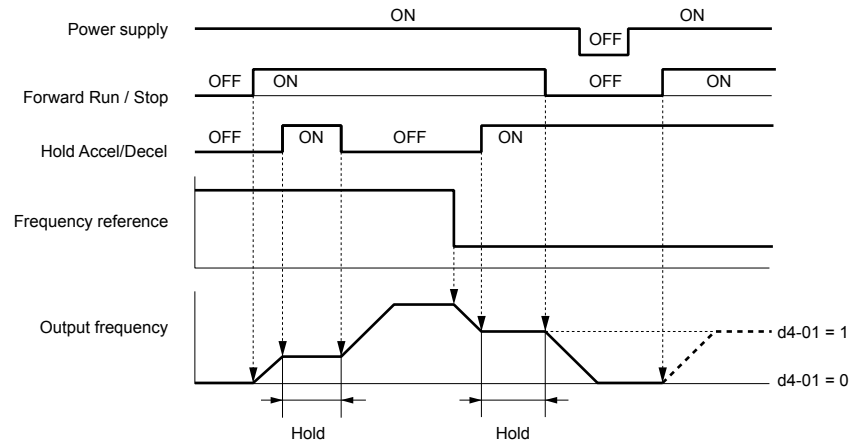
The frequency bias is not saved when the Stop command is entered, or 5 s after the Up/Down 2 command has been released. The Up/Down 2 function will start with a bias of 0% when the drive is restarted.

#### Setting 1: Enabled

- Acceleration hold

The last hold value will be saved when the Run command or the drive power is switched off and the drive will use the saved value as the frequency reference when it restarts. Make sure to continuously enable the multi-function input terminal set for “Accel/decel ramp hold” (H1-□□ = A) or the hold value will be cleared when the power is switched on.

## 5.4 d: Reference Settings



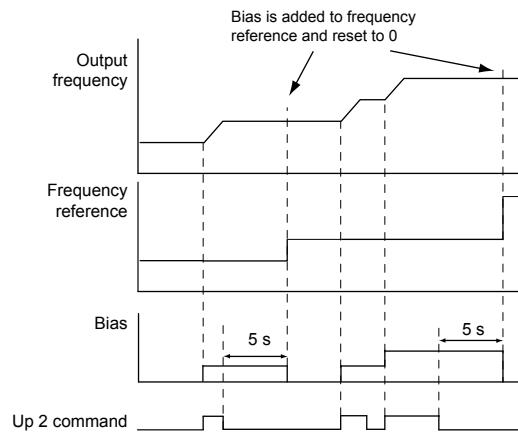
**Figure 5.45 Frequency Reference Hold with Accel/Decel Hold Function**

- Up/Down

The frequency reference value will be saved when the Run command or the drive power is switched off. The drive will use the frequency reference that was saved when it restarts.

- Up/Down 2 with frequency reference from digital operator

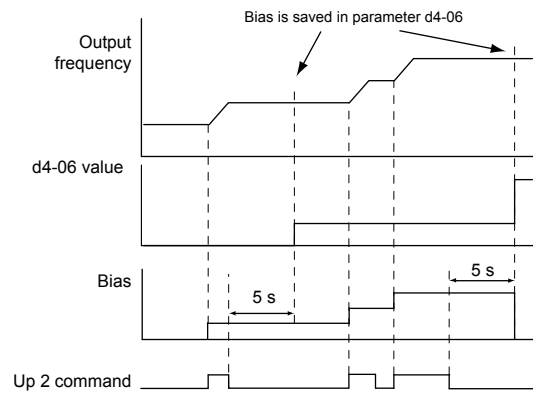
When a Run command is active and the Up/Down 2 command is released for longer than 5 s, the Up/Down 2 bias value is added to the frequency reference and then reset to 0. This new frequency reference is saved and will also be used to restart the drive after the power is cycled.



**Figure 5.46 Up/Down 2 Example with Reference from Digital Operator and  $d4-01 = 1$**

- Up/Down 2 with frequency reference from input sources other than the digital operator

When a Run command is active and the Up/Down 2 command is released for longer than 5 s, the bias value will be saved in parameter  $d4-06$ . When restarting after the power is switched off, the drive will add the value saved in  $d4-06$  as a bias to the frequency reference.



**Figure 5.47 Up/Down 2 Example with Other Reference than Digital Operator and d4-01 = 1**

**Note:** Set the limits for Up/Down 2 properly when using d4-01 = 1 in combination with the Up/Down 2 function. Refer to [d4-08: Frequency Reference Bias Upper Limit \(Up/Down 2\)](#) on page 213 and [d4-09: Frequency Reference Bias Lower Limit \(Up/Down 2\)](#) on page 213 for details on the limit settings.

### Clearing the Saved Value

Depending on which function is used, it is possible to clear the saved frequency reference value by:

- Releasing the input programmed for Acceleration hold.
- Setting an Up or Down command while no Run command is active.
- Resetting parameter d4-06 to zero. Refer to [d4-06: Frequency Reference Bias \(Up/Down 2\)](#) on page 212 for details.

### ■ d4-03: Frequency Reference Bias Step (Up/Down 2)

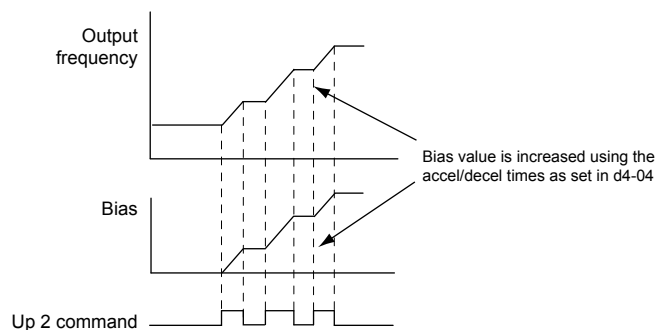
Sets the bias added to or subtracted from the frequency reference by the Up/Down 2 function.

No.	Parameter Name	Setting Range	Default
d4-03	Frequency Reference Bias Step (Up/Down 2)	0.00 to 99.99 Hz	0.00 Hz

The operation depends on the set value:

#### Setting d4-03 = 0.00 Hz

While the Up 2 or Down 2 command is enabled, the bias value is increased or decreased using the accel/decel times determined by parameter d4-04.



**Figure 5.48 Up/Down 2 Bias when d4-03 = 0.00 Hz**

#### Setting d4-03 ≠ 0.00 Hz

When an Up 2 or Down 2 command is enabled, the bias is increased or decreased in steps for the value set in d4-03. The frequency reference changes with the accel/decel times determined by parameter d4-04.

## 5.4 d: Reference Settings

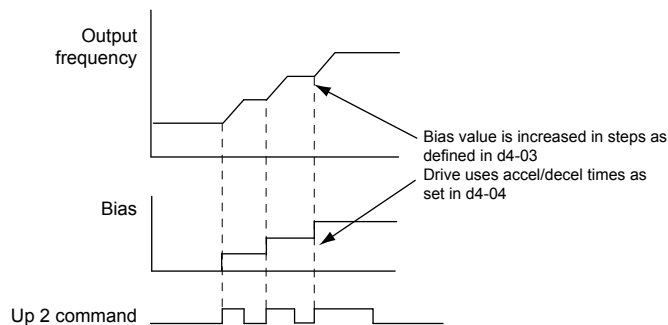


Figure 5.49 Up/Down 2 Bias when d4-03 > 0.00 Hz

### ■ d4-04: Frequency Reference Bias Accel/Decel (Up/Down 2)

Determines the accel/decel times used to increase or decrease the frequency reference or bias when using the Up/Down 2 function.

No.	Parameter Name	Setting Range	Default
d4-04	Frequency Reference Bias Accel/Decel (Up/Down 2)	0, 1	0

#### Setting 0: Current Accel/Decel Time

The drive uses the currently active accel/decel time.

#### Setting 1: Accel/Decel Time 4

The drive uses accel/decel time 4 set to parameters C1-07 and C1-08.

### ■ d4-05: Frequency Reference Bias Operation Mode Selection (Up/Down 2)

Determines if the bias value is held when the Up/Down 2 inputs are both released or both enabled. The parameter is effective only when parameter d4-03 is set to 0.00.

No.	Parameter Name	Setting Range	Default
d4-05	Frequency Reference Bias Operation Mode Selection (Up/Down 2)	0, 1	0

#### Setting 0: Hold Bias Value

The bias value will be held if no input Up 2 or Down 2 is active.

#### Setting 1: Reset Bias Value

The bias is reset to 0% when inputs Up 2 and Down 2 are both on or both off. The drive will use the accel/decel time as selected in d4-04 to accelerate or decelerate to the frequency reference value.

### ■ d4-06: Frequency Reference Bias (Up/Down 2)

Saves the frequency reference bias value set by the Up/Down 2 function as a percentage of the maximum output frequency. The function of this parameter depends on the Up/Down 2 function configuration. This parameter is not normally used when the digital operator sets the frequency reference.

- The value set to d4-06 will be applied during run, however the value is reset when the frequency reference changes (including multi-step references) and is disabled when d4-01 = 0 and the Run command is removed.
- When d4-01 = 0 and the frequency reference is set by a source other than the digital operator, the value set in d4-06 is added to or subtracted from the frequency reference.
- When d4-01 = 1 and the frequency reference is set by a source other than the digital operator, the bias value adjusted with the Up/Down 2 inputs is stored in d4-06 when 5 s have passed after releasing the Up 2 or Down 2 command. The frequency reference will return to the value without the Up/Down 2 command.

No.	Parameter Name	Setting Range	Default
d4-06	Frequency Reference Bias (Up/Down 2)	-99.9 to 100.0%	0.0%

#### Conditions that Reset or Disable d4-06

- The Up/Down 2 function has not been assigned to the multi-function terminals.
- The frequency reference source has been changed (including LOCAL/REMOTE or External reference 1/2 switch over by digital inputs).



- d4-03 = 0 Hz, d4-05 = 1, and the Up/Down 2 commands are both open or both closed.
- Any changes to the maximum frequency set to E1-04.

#### ■ d4-07: Analog Frequency Reference Fluctuation Limit (Up/Down 2)

Handles frequency reference changes while the Up 2 or Down 2 terminal is enabled. If the frequency reference changes for more than the level set to d4-07, then the bias value will be held, and the drive will accelerate or decelerate following the frequency reference. When the frequency reference is reached, the bias hold is released and the bias follows the Up/Down 2 input commands.

This parameter is applicable only if the frequency reference is set by an analog or pulse input.

No.	Parameter Name	Setting Range	Default
d4-07	Analog Frequency Reference Fluctuation Limit (Up/Down 2)	0.1 to 100.0%	1.0%

#### ■ d4-08: Frequency Reference Bias Upper Limit (Up/Down 2)

Sets the upper limit of the Up/Down 2 bias (monitor U6-20) and the value that can be saved in parameter d4-06. Set this parameter to an appropriate value before using the Up/Down 2 function.

**Note:** When the frequency reference is set by the digital operator (b1-01 = 0) and d4-01 = 1, the bias value will be added to the frequency reference if no Up/Down 2 command is received for 5 s, and will be reset to 0 afterwards. From that point, the bias can be increased up to the limit set in d4-08 again.

No.	Parameter Name	Setting Range	Default
d4-08	Frequency Reference Bias Upper Limit (Up/Down 2)	0.0 to 100.0%	100.0%

#### ■ d4-09: Frequency Reference Bias Lower Limit (Up/Down 2)

Sets the lower limit of the Up/Down 2 bias (monitor U6-20) and the value that can be saved in parameter d4-06. Set this parameter to an appropriate value before using the Up/Down 2 function.

**Note:** When the frequency reference is set by the digital operator (b1-01 = 0) and d4-01 = 1, the bias value will be added to the frequency reference if no Up/Down 2 command is received for 5 s, and will be reset to 0 afterwards. If the bias is increased using the Up 2 command, it cannot be reduced with a Down 2 command when the limit set in d4-09 is 0. Set a negative lower limit in d4-09 to allow speed reduction in this situation.

No.	Parameter Name	Setting Range	Default
d4-09	Frequency Reference Bias Lower Limit (Up/Down 2)	-99.9 to 0.0%	0.0%

#### ■ d4-10: Up/Down Frequency Reference Limit Selection

Selects how the lower frequency limit is set when using the Up/Down function. [Refer to Setting 10, 11: Up/Down Function on page 249](#) for details on the Up/Down function in combination with frequency reference limits.

No.	Parameter Name	Setting Range	Default
d4-10	Up/Down Frequency Reference Limit Selection	0, 1	0

##### Setting 0: Lower Limit is Determined by d2-02 or Analog Input

The higher value between d2-02 and an analog input programmed for Frequency bias (A1, A2, A3) determines the lower frequency reference limit.

**Note:** When using the External Reference 1/2 (H1-□□ = 2) to switch between the Up/Down function and an analog input as the reference source, the analog value becomes the lower reference limit when the Up/Down command is active. Set d4-10 to 1 to make the Up/Down function independent of the analog input value.

##### Setting 1: Lower Limit is Determined by d2-02

Only parameter d2-02 sets the lower frequency reference limit.

### ◆ d5: Torque Control

Torque Control defines a setpoint for the motor torque and is available for CLV and CLV/PM (A1-02 = 3, 7).

#### ■ Torque Control Operation

Torque control can be enabled either by setting parameter d5-01 to 1 or by setting digital input (H1-□□ = 71). *Figure 5.50* illustrates the working principle.

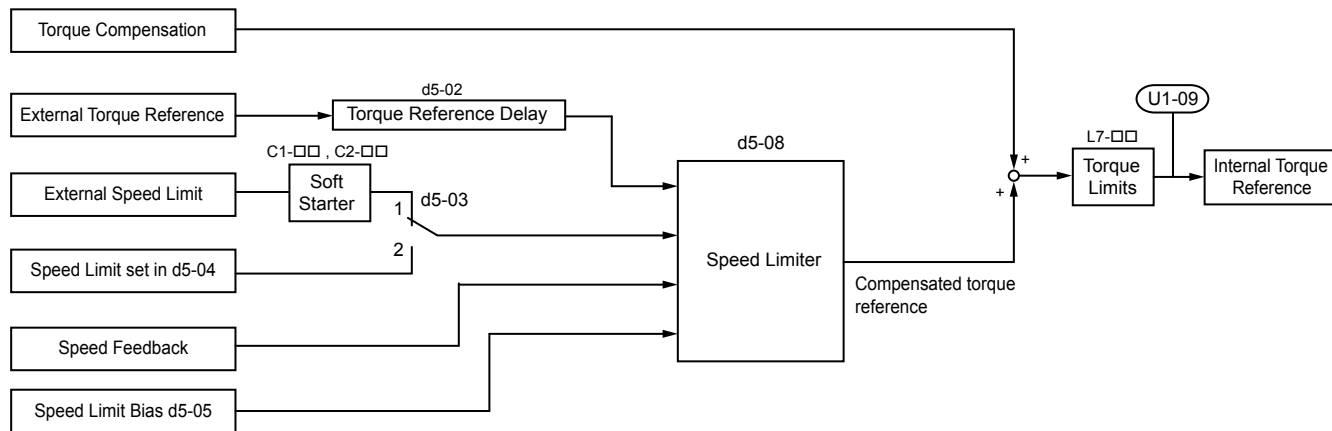


Figure 5.50 Torque Control Block Diagram

The externally input torque reference is the target value for the motor output torque. If the motor torque reference and the load torque are not in balance when in Torque Control, the motor accelerates or decelerates. To prevent operation beyond the speed limit, compensate the external torque reference value if the motor speed reaches the limit. The compensation value is calculated using the speed limit, speed feedback, and the speed limit bias.

If an external torque compensation value is input, it is added to the speed limit compensated torque reference value. The value calculated is limited by the L7-□□ settings, and is then used as the internal torque reference, which can be monitored in U1-09. The L7-□□ settings have highest priority. The motor cannot be operated with a higher torque than the L7-□□ settings even if the external torque reference value is increased.

#### ■ Setting the Torque Reference, Speed Limit, and Torque Compensation Values

##### Torque Control Reference Sources

Set input values for Torque Control as explained in *Table 5.19*.

Table 5.19 Torque Control Input Value Selection

Input Value	Signal Source	Settings	Remarks
Torque Reference	Analog inputs A1/A2/A3	H3-02, H3-10, or H3-06 = 13 <I>	Match the input terminal signal level settings to the signal being used. <i>Refer to H3: Multi-Function Analog Inputs on page 267</i> for details on adjusting analog input signals.
	Analog Option	<ul style="list-style-type: none"> <li>F2-01 = 0</li> <li>H3-02, H3-10, or H3-06 = 13 &lt;I&gt;</li> </ul>	The F3-□□ settings become effective for the option board input terminals. Match the input terminal signal level settings to the signal being used. <i>Refer to H3: Multi-Function Analog Inputs on page 267</i> for details on adjusting analog input signals.
Torque Reference	MEMOBUS Register 0004H	<ul style="list-style-type: none"> <li>b1-01 = 2</li> <li>Set Register 000FH, Bit 2 = 1 to enable Torque reference from register 0004H</li> </ul>	—
	Communications Option	<ul style="list-style-type: none"> <li>b1-01 = 3</li> <li>F6-06 = 1</li> </ul> Refer to the option card manual for details about setting the torque compensation value.	—

Input Value	Signal Source	Settings	Remarks
Speed Limit	Signal selected as frequency reference source	d5-03 = 1 The speed limit is taken from the input selected as frequency reference source in parameter b1-01 or b1-15. </>	The settings in C1-□□ for accel/decel times and in C2-□□ for S-curves are applied to the speed limit value.
	Parameter d5-04	d5-03 = 2	—
Torque Compensation	Analog inputs A1/A2/A3	H3-02, H3-10, or H3-06 = 14 </>	Match the input terminal signal level settings to the signal being used. <i>Refer to H3: Multi-Function Analog Inputs on page 267</i> for details on adjusting analog input signals.
	Analog Option	<ul style="list-style-type: none"> <li>F2-01 = 0</li> <li>H3-02, H3-10, or H3-06 = 14 &lt;/&gt;</li> </ul>	The H3-□□ settings become effective for the option board input terminals. Match the input terminal signal level settings to the signal being used.
	MEMOBUS Register 0005H	<ul style="list-style-type: none"> <li>b1-01 = 2</li> <li>Set Register 000FH, bit 3 = 1 to enable the torque compensation setting by register 0005H</li> </ul>	—
	Communications Option	b1-01 = 3 Refer to the option card manual for details about setting the torque compensation value.	—

<1> Sets analog input terminals A1, A2, and A3 to supply the speed limit, torque reference, or torque compensation. Setting two analog inputs for the same function will trigger an oPE07 error (Multi-Function Analog Input Selection Error).

### Input Value Polarity

The direction of the input values described above depends on the polarity of the Run command and the input value.

**Table 5.20 Torque Control Signal Polarity**

Run Command Direction	Input Value Polarity	Input Value Direction
Forward	+ (positive)	Forward direction
	- (negative)	Reverse direction
Reverse	+ (positive)	Reverse direction
	- (negative)	Forward direction

#### Example:

- With a Forward Run command and a positive torque reference signal the internal torque reference will be positive, i.e., in the forward direction. However, if a Reverse Run command is input, the torque command will be for reverse rotation.
- With a Forward Run command and a negative torque reference signal the internal torque reference will be negative, i.e., in the reverse direction. However, if a Reverse Run command is input, the torque command will be for forward rotation.

When using analog inputs, negative input values can be generated by:

- applying negative voltage input signals.
- using positive analog input signals while setting the analog input bias to negative values so the input value can be negative.
- applying positive voltage input signals and using a digital input that is programmed for H1- □□ = 78.

When using MEMOBUS/Modbus communication or a communication option card, only positive input values can be set.

Independent of its input source, the polarity of the torque reference signal can be inverted using a digital input that is programmed for H1-□□ = 78. Use this function to input negative torque reference values when using MEMOBUS/Modbus or a communication option card.

### ■ Speed Limitation and Speed Limit Bias

The speed limit setting is read from the input selected in parameter d5-03. A bias can be added to this speed limit using parameter d5-05 while parameter d5-08 determines how the speed limit bias is applied. *Table 5.21* explains the relation between these settings.

## 5.4 d: Reference Settings

Table 5.21 Speed Limit, Speed Bias and Speed Limit Priority Selection

Run Command	Operating Conditions							
	Forward	Reverse	Forward	Reverse	Forward	Reverse	Forward	Reverse
Torque Reference Direction	Positive (Forward)	Negative (Reverse)	Negative (Reverse)	Positive (Forward)	Positive (Forward)	Negative (Reverse)	Negative (Reverse)	Positive (Forward)
Speed Limit Direction	Positive (Forward)	Negative (Reverse)	Negative (Reverse)	Positive (Forward)	Positive (Forward)	Negative (Reverse)	Negative (Reverse)	Positive (Forward)
Rotation Direction	Forward		Reverse		Forward		Reverse	
<b>Bidirectional Speed Limit Bias (d5-08 = 0)</b> <1>								
<b>Unidirectional Speed Limit Bias (d5-08 = 1)</b> <1>								
<b>Application Example</b>								

<1> The value of delta n in the drawings depends on the ASR setting in parameters C5-□□.

### ■ Indicating Operation at the Speed Limit

Program a digital output to close when the drive operates at or beyond the speed limit (H2-□□ = 32). Use this output to notify a control device such as a PLC of abnormal operating conditions.

### ■ Switching Between Torque and Speed Control

Use a digital input to switch Torque Control and Speed Control (H1-□□ = 71). When switching from Speed Control to Torque Control, the torque limit becomes the torque reference and the speed reference becomes the speed limit. This change is reversed when switching back to Speed Control.

If required by the application, set up a delay time using parameter d5-06. The reference values (torque reference/speed limit in Torque Control or speed reference/torque limit in Speed Control) are held during this switch delay time. Change the reference values from the controller within this delay time.

- Note:**
1. The switching delay time d5-06 is not applied when the Stop command is entered. Here the operation switches immediately to speed control and the drive decelerates to stop at the torque limit.
  2. Set d5-01 to 0 when switching between Torque Control and Speed Control. An oPE15 alarm will be triggered if parameter d5-01 is set to 1 while H1-□□ is set to 71 at the same time.

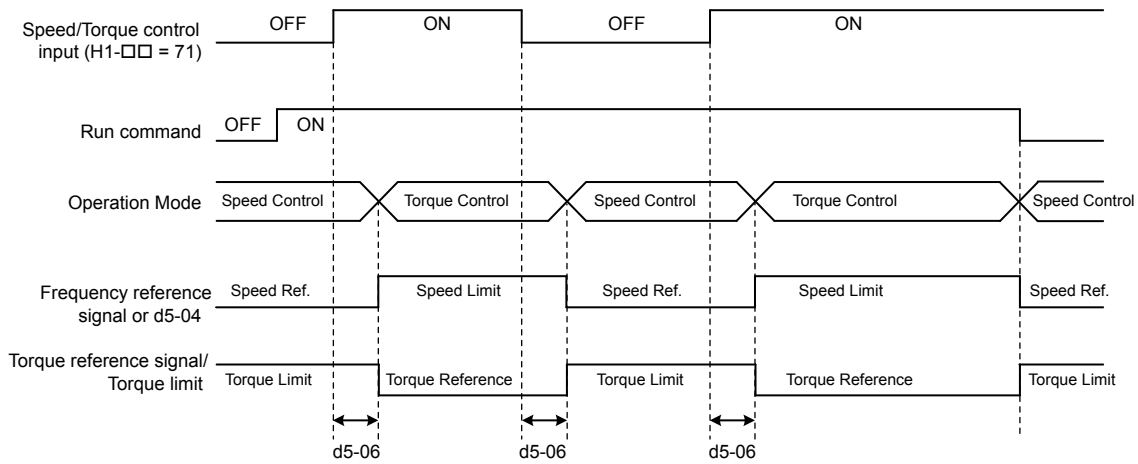


Figure 5.51 Speed/Torque Control Switching Time

■ **d5-01: Torque Control Selection**

No.	Parameter Name	Setting Range	Default
d5-01	Torque Control Selection	0, 1	0

**Setting 0: Disabled**

Speed Control will be active. Also use this setting when H1-□□ = 71 (Speed/Torque Control Switch).

**Setting 1: Enabled**

Torque Control is always enabled.

■ **d5-02: Torque Reference Delay Time**

Apply a filter with the time constant set to parameter d5-02 to the torque reference signal to eliminate oscillation resulting from an unstable torque reference signal. A higher filter time stabilizes control while reducing the responsiveness.

No.	Parameter Name	Setting Range	Default
d5-02	Torque Reference Delay Time	0 to 1000 ms	0 ms

■ **d5-03: Speed Limit Selection**

Determines how the speed limit is set.

No.	Parameter Name	Setting Range	Default
d5-03	Speed Limit Selection	1 or 2	1

**Setting 1: Frequency Reference Input**

The frequency reference value at the active reference source (digital operator, External reference 1 or External reference 2) will be used as speed limit. Note that in this case all settings for accel/decel times (C1-01 to C1-08) and S-curves (C2-01 to C2-04) will apply for the speed limit.

**Setting 2: d5-04**

The speed limit is set by parameter d5-04.

## 5.4 d: Reference Settings

### ■ d5-04: Speed Limit

Sets the speed limit during torque control if parameter d5-03 is set to 2. *Refer to Speed Limitation and Speed Limit Bias on page 215.*

No.	Parameter Name	Setting Range	Default
d5-04	Speed Limit	-120 to 120%	0%

### ■ d5-05: Speed Limit Bias

Applies a bias set as a percentage of the maximum output frequency to the speed limit value. *Refer to Speed Limitation and Speed Limit Bias on page 215.*

No.	Parameter Name	Setting Range	Default
d5-05	Speed Limit Bias	0 to 120%	10%

### ■ d5-06: Speed/Torque Control Switchover Time

Sets the delay time for switching between Speed Control and Torque Control.

No.	Parameter Name	Setting Range	Default
d5-06	Speed/Torque Control Switchover Time	0 to 1000 ms	0 ms

### ■ d5-08: Unidirectional Speed Limit Bias

Selects how the speed limit bias is applied.

No.	Parameter Name	Setting Range	Default
d5-08	Unidirectional Speed Limit Bias	0, 1	1

#### Setting 0: Disabled

The speed limit bias is applied in the speed limit direction and the opposite direction.

#### Setting 1: Enabled

The speed limit bias is applied in the opposite direction of the speed limit only.

## ◆ d6: Field Weakening and Field Forcing

### Field Weakening

The Field Weakening function reduces the output voltage to a predefined level to reduce the energy consumption of the motor. To activate the Field Weakening function, use a digital input programmed for H1-□□ = 63. Only use Field Weakening with a known and unchanging light load condition. Use the Energy Saving function (b8-□□ parameters) when Energy Saving for various different load conditions is required.

### Field Forcing

The Field Forcing function compensates the delaying influence of the motor time constant when changing the excitation current reference and improves motor responsiveness. Field Forcing is ineffective during DC Injection Braking.

### ■ d6-01: Field Weakening Level

Sets the level to which the output voltage is reduced when Field Weakening is activated. Set as percentage of the maximum output voltage.

No.	Parameter Name	Setting Range	Default
d6-01	Field Weakening Level	0 to 100%	80%

### ■ d6-02: Field Weakening Frequency Limit

Sets the minimum output frequency at which field weakening can be activated. Field Weakening cannot be activated for frequencies below d6-02.

No.	Parameter Name	Setting Range	Default
d6-02	Field Weakening Frequency Limit	0 to 400.0 Hz	0.0 Hz

### ■ d6-03: Field Forcing Selection

Enables or disables the Field Forcing function.

No.	Parameter Name	Setting Range	Default
d6-03	Field Forcing Selection	0, 1	0

Setting 0: Disabled

Setting 1: Enabled

### ■ d6-06: Field Forcing Limit

Sets the maximum level at which the Field Forcing function can boost the excitation current reference. The value is set as a percentage of the motor no load current. This parameter does not normally need to be changed.

No.	Parameter Name	Setting Range	Default
d6-06	Field Forcing Limit	100 to 400%	400%

## ◆ d7: Offset Frequency

### ■ d7-01 to d7-03: Offset Frequency 1 to 3

Three different offset values can be added to the frequency reference. They can be selected using digital inputs programmed for Offset frequency 1, 2, and 3 (H1-□□ = 44, 45, 46). The selected offset values are added together if multiple inputs are closed simultaneously. The value is set as a percentage of the Maximum Output Frequency.

**Note:** This function can replace the “Trim Control” function (H1-□□ = 1C, 1D) of older Yaskawa drives.

No.	Parameter Name	Setting Range	Default
d7-01	Offset Frequency 1	-100.0 to 100.0%	0%
d7-02	Offset Frequency 2	-100.0 to 100.0%	0%
d7-03	Offset Frequency 3	-100.0 to 100.0%	0%

Figure 5.52 illustrates the Offset frequency function.

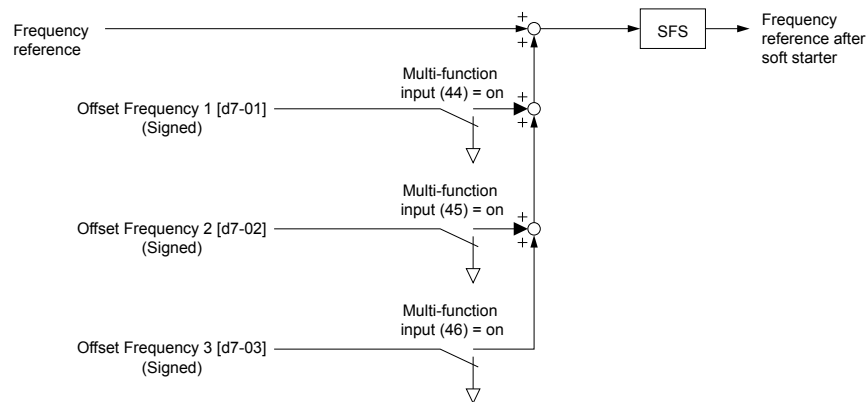


Figure 5.52 Offset Frequency Operation



## 5.5 E: Motor Parameters

E parameters cover V/f pattern and motor data settings.

### ◆ E1: V/f Pattern for Motor 1

#### ■ V/f Pattern Settings (E1-03)

The drive uses a V/f pattern to adjust the output voltage relative to the frequency reference. There are 15 different predefined V/f patterns (setting 0 to E) from which to select, each with varying voltage profiles, saturation levels (frequency at which maximum voltage is reached), and maximum frequencies. Additionally, one custom V/f pattern is available (setting F) that requires the user to create the pattern using parameters E1-04 through E1-10.

#### ■ E1-03: V/f Pattern Selection

Selects the V/f pattern for the drive and motor from 15 predefined patterns or creates a custom V/f pattern.

No.	Parameter Name	Setting Range	Default
E1-03	V/f Pattern Selection	0 to F	F <1>

<1> Parameter is not reset to the default value when the drive is initialized using A1-03.

#### Setting a Predefined V/f Pattern (Setting 0 to E)

Choose the V/f pattern that best meets the application demands from [Table 5.22](#). These settings are available only in V/f Control modes. Set the correct value to E1-03. Parameters E1-04 to E1-13 can only be monitored, not changed.

- Note:**
1. Setting an improper V/f pattern may result in low motor torque or increased current due to overexcitation.
  2. Drive initialization does not reset parameter E1-03.

**Table 5.22 Predefined V/f Patterns**

Setting	Specification	Characteristic	Application
0	50 Hz	Constant torque	For general purpose applications. Torque remains constant regardless of changes to speed.
1	60 Hz		
2	60 Hz (with 50 Hz base)		
3	72 Hz (with 60 Hz base)		
4	50 Hz, Variable torque 1	Variable torque	For fans, pumps, and other applications where the required torque changes as a function of the speed.
5	50 Hz, Variable torque 2		
6	60 Hz, Variable torque 1		
7	60 Hz, Variable torque 2		
8	50 Hz, mid starting torque	High starting torque	Select high starting torque when: <ul style="list-style-type: none"> <li>• Wiring between the drive and motor exceeds 150 m.</li> <li>• A large amount of starting torque is required.</li> </ul>
9	50 Hz, high starting torque		
A	60 Hz, mid starting torque		
B	60 Hz, high starting torque		
C	90 Hz (with 60 Hz base)	Constant output	Output voltage is constant when operating at greater than 60 Hz.
D	120 Hz (with 60 Hz base)		
E	180 Hz (with 60 Hz base)		
F <1>	60 Hz	Constant torque	For general purpose applications. Torque remains constant regardless of changes to speed.

<1> Setting F enables a custom V/f pattern by changing parameters E1-04 to E1-13. When the drive is shipped, the default values for parameters E1-04 to E1-13 are the same as those of setting 1.

The following tables show details on predefined V/f patterns.



Predefined V/f Patterns for Models 4□0011 and 4□0014

Table 5.23 Constant Torque Characteristics, Settings 0 to 3

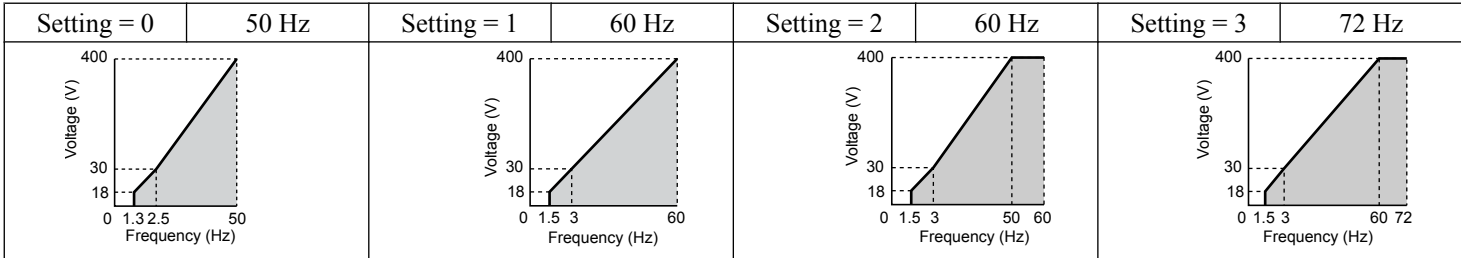


Table 5.24 Derated Torque Characteristics, Settings 4 to 7

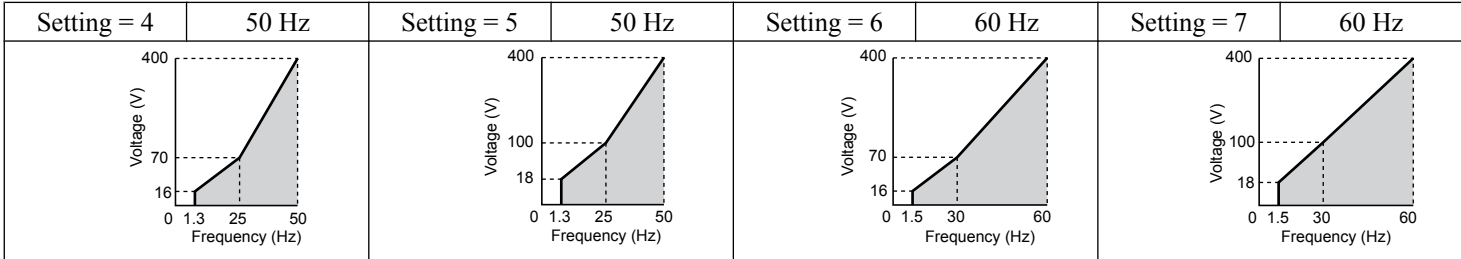


Table 5.25 High Starting Torque, Settings 8 to B

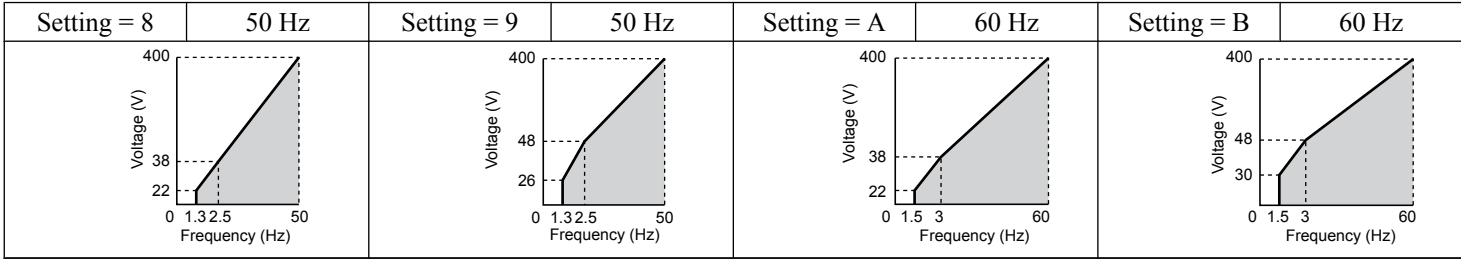
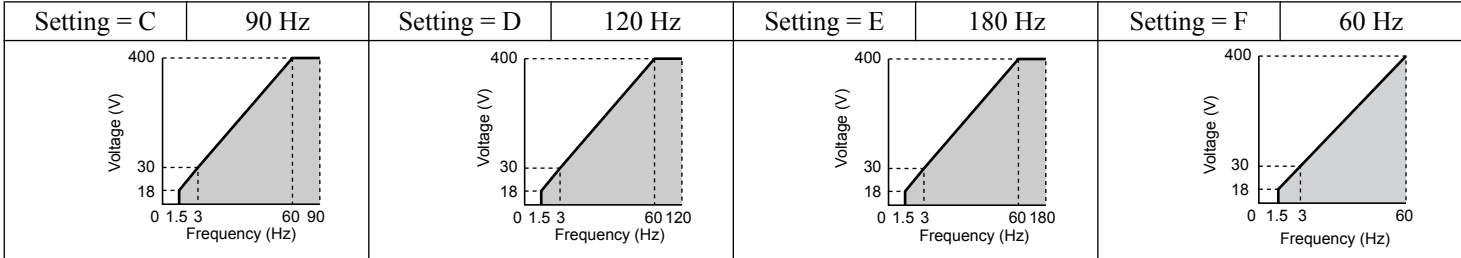


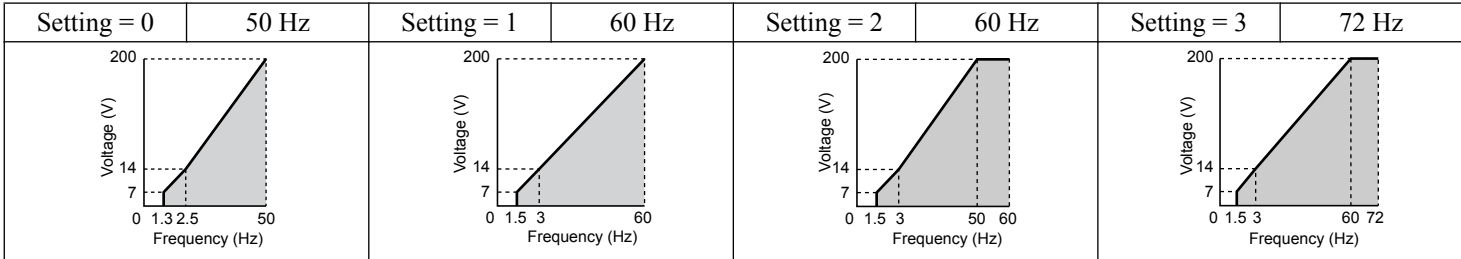
Table 5.26 Rated Output Operation, Settings C to F



Predefined V/f Patterns for Models 2□0028 to 2□0192 and 4□0021 to 4□0124

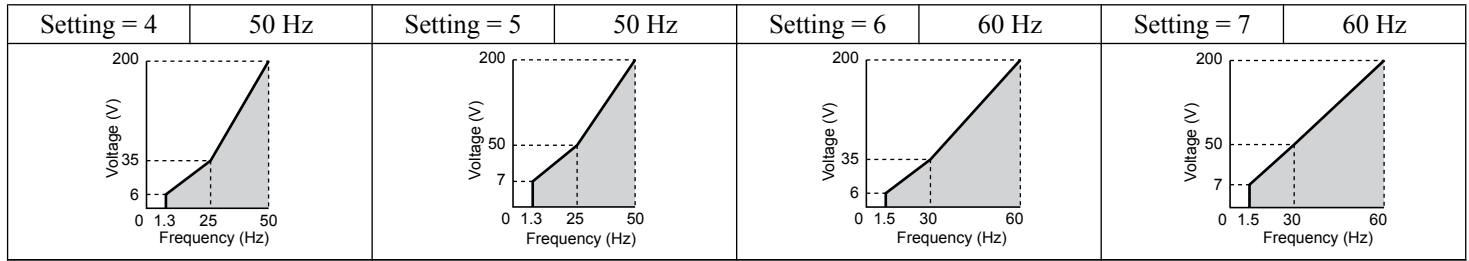
The values in the following graphs are specific to 200 V class drives. Double the values for 400 V class drives.

Table 5.27 Rated Torque Characteristics, Settings 0 to 3

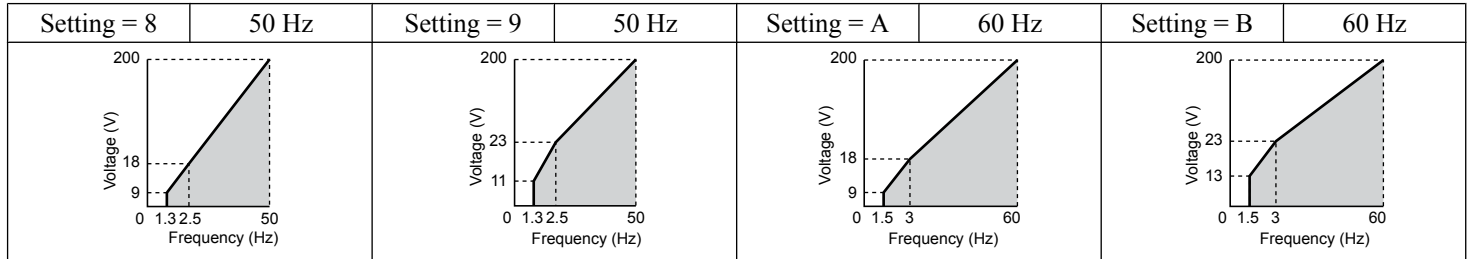


## 5.5 E: Motor Parameters

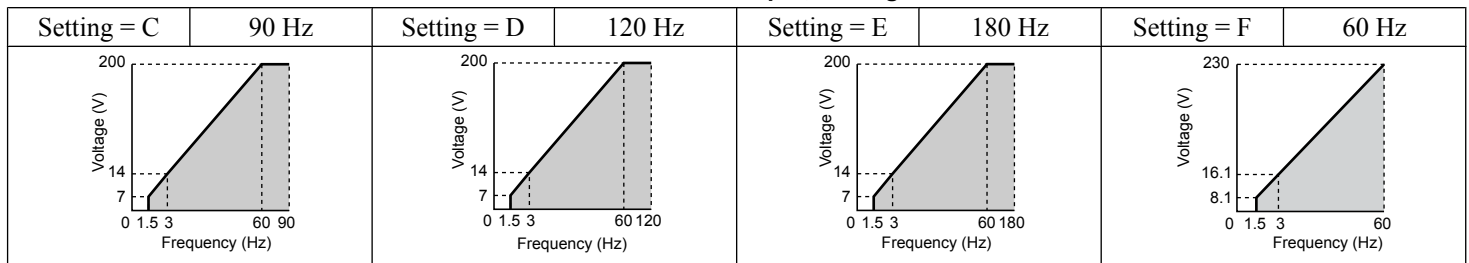
**Table 5.28 Derated Torque Characteristics, Settings 4 to 7**



**Table 5.29 High Starting Torque, Settings 8 to B**



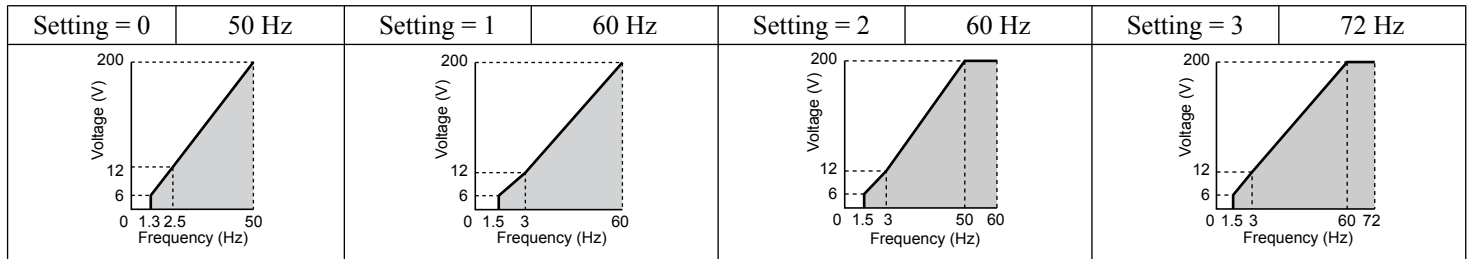
**Table 5.30 Constant Output, Settings C to F**



### Predefined V/f Patterns for Models 2□0216 and 4□0156 to 4□0414

The values in the following graphs are specific to 200 V class drives. Double the values for 400 V class drives.

**Table 5.31 Rated Torque Characteristics, Settings 0 to 3**



**Table 5.32 Derated Torque Characteristics, Settings 4 to 7**

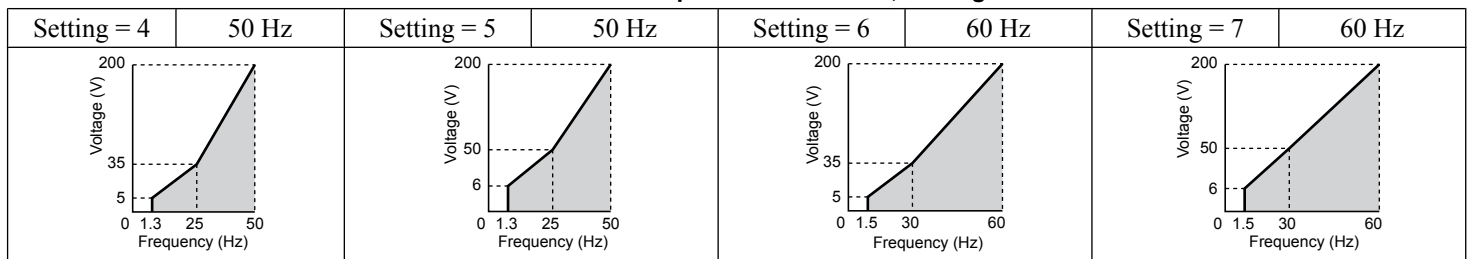


Table 5.33 High Starting Torque, Settings 8 to B

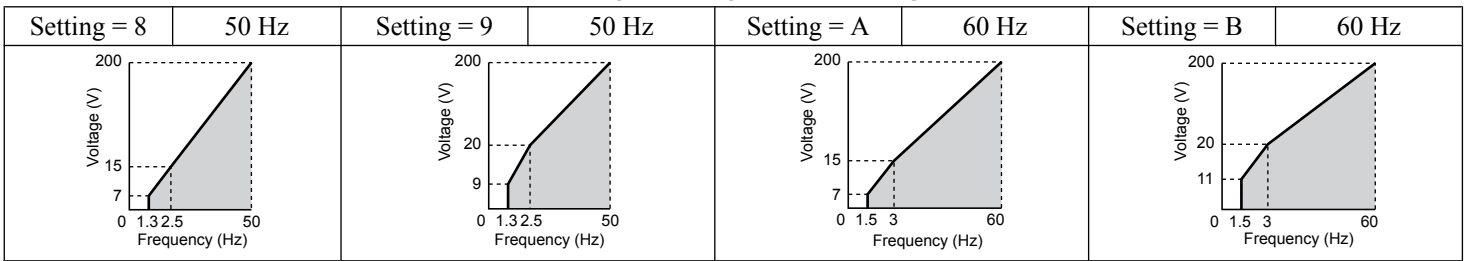
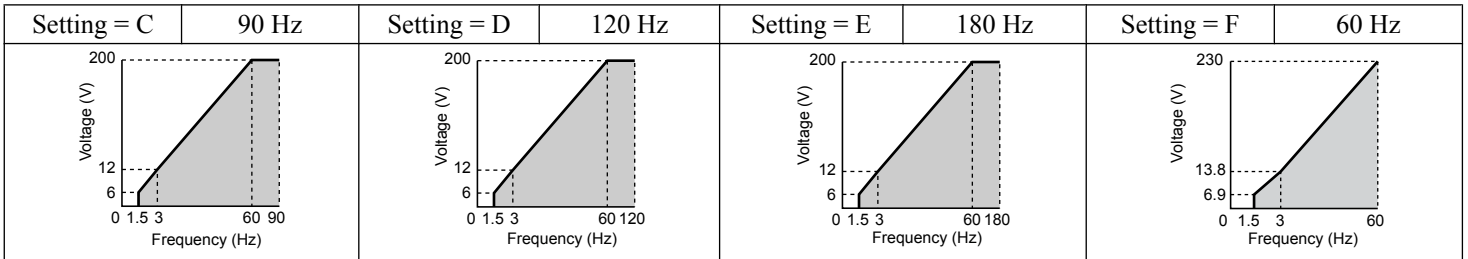


Table 5.34 Constant Output, Settings C to F



**Setting a Custom V/f Pattern (Setting F: Default)**

Setting parameter E1-03 to F allows the user to set up a custom V/f pattern by changing parameters E1-04 to E1-13. When initialized, the default values for parameters E1-04 to E1-13 will be equal to Predefined V/f pattern 1.

**■ V/f Pattern Settings E1-04 to E1-13**

If E1-03 is set to a preset V/f pattern (i.e., a value other than F), the user can monitor the V/f pattern in parameters E1-04 through E1-13. To create a new V/f pattern, set E1-03 to F. Refer to V/f Pattern on page 224 for an example custom V/f pattern.

**Note:** Certain E1-□□ parameters might not be visible depending on the control mode. Refer to Parameter List on page 441 for details.

No.	Parameter Name	Setting Range	Default
E1-04	Maximum Output Frequency	40.0 to 400.0 Hz <1>	<2> <3>
E1-05	Maximum Voltage	0.0 to 255.0 V <4>	<2>
E1-06	Base Frequency	0.0 to [E1-04]	<2> <3>
E1-07	Middle Output Frequency	0.0 to [E1-04]	<2>
E1-08	Middle Output Frequency Voltage	0.0 to 255.0 V <4>	<2>
E1-09	Minimum Output Frequency	0.0 to [E1-04] <1>	<2> <3>
E1-10	Minimum Output Frequency Voltage	0.0 to 255.0 V <4>	<2>
E1-11	Middle Output Frequency 2	0.0 to [E1-04]	0.0 Hz <6>
E1-12	Middle Output Frequency Voltage 2	0.0 to 255.0 V <4>	0.0 V <5> <6>
E1-13	Base Voltage	0.0 to 255.0 V <4>	0.0 V <5> <7>

- <1> Default setting is determined by E5-01 in OLV/PM. When E5-01 is set to FFFFH, the setting range for E1-04 and E1-06 is 10.0 to 40.0 Hz and the setting range for E1-09 is 0.0 to 400.0 Hz.
- <2> Default setting is determined by the control mode.
- <3> When using PM motors, the default setting is determined by the motor code set to E5-01.
- <4> Values shown are specific to 200 V class drives. Double the value for 400 V class drives.
- <5> The drive changes these settings when Auto-Tuning is performed (Rotational Auto-Tuning, Stationary Auto-Tuning 1, 2).
- <6> Parameter ignored when E1-11 and E1-12 are set to 0.0.
- <7> E1-13 and E1-05 are set to the same value when Auto-Tuning is performed.

## 5.5 E: Motor Parameters

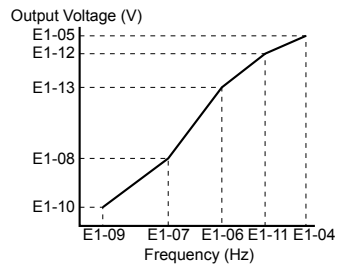


Figure 5.53 V/f Pattern

- Note:**
1. The following condition must be true when setting up the V/f pattern:  $E1-09 \leq E1-07 < E1-06 \leq E1-11 \leq E1-04$
  2. To make the V/f pattern a straight line below E1-06, set E1-09 equal to E1-07. In this case the E1-08 setting is disregarded.
  3. E1-03 is unaffected when the drive is initialized, but E1-04 through E1-13 return to their default values.
  4. Only use E1-11, E1-12, and E1-13 to fine-tune the V/f pattern in the constant output range. These parameters rarely need to be changed.

### ◆ E2: Motor 1 Parameters

These parameters contain the motor data needed for motor 1. Performing Auto-Tuning (including Rotational Auto-Tuning and Stationary Auto-Tuning 2 and 3, and Rotational Auto-Tuning for V/f Control) automatically sets these parameters. [Refer to Auto-Tuning Fault Detection on page 364](#) for details if Auto-Tuning cannot be performed.

**Note:** The function for switching between two motors cannot be used with a PM motor. E2-□□ parameters are hidden when a PM motor control mode is selected (A1-02 = 5, 6, or 7).

#### ■ E2-01: Motor Rated Current

Provides motor control, protects the motor, and calculates torque limits. Set E2-01 to the full load amps (FLA) stamped on the motor nameplate. If Auto-Tuning completes successfully, the value entered to T1-04 will automatically be saved to E2-01.

No.	Parameter Name	Setting Range	Default
E2-01	Motor Rated Current	10% to 150% of the drive rated current <I>	Determined by C6-01 and o2-04

<I> Display is in the following units:  
 2□0028, 2□0042, and 4□0011 to 4□0027: 0.01 A units  
 2□0054 to 2□0248 and 4□0034 to 4□0414: 0.1 A units

**Note:** An oPE02 error will occur if the motor rated current in E2-01 is set lower than the motor no-load current in E2-03. Set E2-03 correctly to prevent this error.

#### ■ E2-02: Motor Rated Slip

Sets the motor rated slip in Hz to provide motor control, protect the motor, and calculate torque limits. This value is automatically set during Auto-Tuning (Rotational Auto-Tuning, Stationary Auto-Tuning 2, 3).

No.	Parameter Name	Setting Range	Default
E2-02	Motor Rated Slip	0.00 to 20.00 Hz	Determined by C6-01 and o2-04

If Auto-Tuning cannot be performed, calculate the motor rated slip using the information written on the motor nameplate and the formula below:

$$E2-02 = f - (n \times p) / 120$$

(f: rated frequency (Hz), n: rated motor speed (r/min), p: number of motor poles)

#### ■ E2-03: Motor No-Load Current

Set the no-load current for the motor in amperes when operating at the rated frequency and the no-load voltage. The drive sets E2-03 during the Auto-Tuning process (Rotational Auto-Tuning and Stationary Auto-Tuning 2, 3). The motor no-load current listed in the motor test report can also be entered to E2-03 manually. Contact the motor manufacturer to receive a copy of the motor test report.

No.	Parameter Name	Setting Range	Default
E2-03	Motor No-Load Current	0.00 A to [E2-01] </>	Determined by C6-01 and o2-04

<1> Display is in the following units:  
 2□0028, 2□0042, and 4□0011 to 4□0027: 0.01 A units  
 2□0054 to 2□0248 and 4□0034 to 4□0414: 0.1 A units

### ■ E2-04: Number of Motor Poles

Set the number of motor poles to E2-04. If Auto-Tuning completes successfully, the value entered to T1-06 will automatically be saved to E2-04.

No.	Parameter Name	Setting Range	Default
E2-04	Number of Motor Poles	2 to 48	4

### ■ E2-05: Motor Line-to-Line Resistance

Sets the line-to-line resistance of the motor stator winding. If Auto-Tuning completes successfully, this value is automatically calculated. Enter this value as line-to-line and not for each motor phase.

If Auto-Tuning is not possible, contact the motor manufacturer to find out the line-to-line resistance or measure it manually. When using the manufacturer motor test report, calculate E2-05 by one of the formulas below:

- E-type insulation: Multiply 0.92 times the resistance value ( $\Omega$ ) listed on the test report at 75 °C.
- B-type insulation: Multiply 0.92 times the resistance value ( $\Omega$ ) listed on the test report at 75 °C.
- F-type insulation: Multiply 0.87 times the resistance value ( $\Omega$ ) listed on the test report at 115 °C.

No.	Parameter Name	Setting Range	Default
E2-05	Motor Line-to-Line Resistance	0.000 to 65000 m $\Omega$	Determined by C6-01 and o2-04

### ■ E2-06: Motor Leakage Inductance

Sets the voltage drop due to motor leakage inductance as a percentage of motor rated voltage. This value is automatically set during Auto-Tuning (Rotational Auto-Tuning, Stationary Auto-Tuning 2, 3).

No.	Parameter Name	Setting Range	Default
E2-06	Motor Leakage Inductance	0.0 to 40.0%	Determined by C6-01 and o2-04

### ■ E2-07: Motor Iron-Core Saturation Coefficient 1

Sets the motor iron saturation coefficient at 50% of the magnetic flux. If Rotational Auto-Tuning completes successfully, then this value is automatically calculated and set to E2-07. This coefficient is used when operating with constant output.

No.	Parameter Name	Setting Range	Default
E2-07	Motor Iron-Core Saturation Coefficient 1	0.00 to 0.50	0.50

### ■ E2-08: Motor Iron-Core Saturation Coefficient 2

Sets the motor iron saturation coefficient at 75% of the magnetic flux. If Rotational Auto-Tuning completes successfully, then this value is automatically calculated and set to E2-08. This coefficient is used when operating with constant output.

No.	Parameter Name	Setting Range	Default
E2-08	Motor Iron-Core Saturation Coefficient 2	E2-07 to 0.75	0.75

### ■ E2-09: Motor Mechanical Loss

Sets the motor mechanical loss as a percentage of motor rated power (kW) capacity.

Adjust this setting in the following circumstances:

- When there is a large amount of torque loss due to motor bearing friction.
- When there is a large amount of torque loss in a fan or pump application.

The setting for the mechanical loss is added to the torque.

## 5.5 E: Motor Parameters

No.	Parameter Name	Setting Range	Default
E2-09	Motor Mechanical Loss	0.0 to 10.0%	0.0%

### ■ E2-10: Motor Iron Loss for Torque Compensation

Sets the motor iron loss in watts.

No.	Parameter Name	Setting Range	Default
E2-10	Motor Iron Loss for Torque Compensation	0 to 65535 W	Determined by C6-01 and o2-04

### ■ E2-11: Motor Rated Power

Sets the motor rated power in kW. If Auto-Tuning completes successfully, the value entered to T1-02 will automatically be saved to E2-11.

No.	Parameter Name	Setting Range	Default
E2-11	Motor Rated Power	0.00 to 650.00 kW	Determined by C6-01 and o2-04

### ■ Setting Motor Parameters Manually

Follow the instructions below when setting motor-related parameters manually instead of Auto-Tuning. Refer to the motor test report included with the motor to ensure the correct data is entered into the drive.

#### Set the Motor Rated Current

Enter the motor rated current listed on the nameplate of the motor to E2-01.

#### Set the Motor Rated Slip

Calculate the motor rated slip using the base speed listed on the motor nameplate. Refer to the formula below, then enter that value to E2-02.

$$\text{Motor rated slip} = \text{rated frequency [Hz]} - \text{base speed [r/min]} \times (\text{no. of motor poles}) / 120$$

#### Set the No-Load Current

Enter the no-load current at rated frequency and rated voltage to E2-03. This information is not usually listed on the nameplate. Contact the motor manufacturer if the data cannot be found.

The default setting of the no-load current is for performance with a 4-pole Yaskawa motor.

#### Set the Number of Motor Poles

Only required when A1-02 is set to 0, 1, 2, 3 (Control Modes for Induction Motors). Enter the number of motor poles as indicated on motor nameplate.

#### Set the Line-to-Line Resistance

E2-05 is normally set during Auto-Tuning. If Auto-Tuning cannot be performed, contact the motor manufacturer to determine the correct resistance between motor lines. The motor test report can also be used to calculate this value using the formulas below:

- E-type insulation: Multiply 0.92 times the resistance value ( $\Omega$ ) listed on the test report at 75 °C.
- B-type insulation: Multiply 0.92 times the resistance value ( $\Omega$ ) listed on the test report at 75 °C.
- F-type insulation: Multiply 0.87 times the resistance value ( $\Omega$ ) listed on the test report at 115 °C.

#### Set the Motor Leakage Inductance

The motor leakage inductance set to E2-06 determines the amount of voltage drop relative to the motor rated voltage. Enter this value for motors with a low degree of inductance, such as high-speed motors. This information is usually not listed on the motor nameplate. Contact the motor manufacturer if the data cannot be found.

#### Set the Motor Iron-Core Saturation Coefficient 1, 2

E2-07 and E2-08 are set when Auto-Tuning is performed.

#### Set the Motor Mechanical Loss

Only required in Closed Loop Vector Control. The drive compensates for the degree of mechanical loss with torque compensation. Although E2-09 rarely needs to be changed, adjustment may be necessary in the following circumstances:

- When there is a large amount of torque loss due to motor bearing friction.

- When there is a large amount of torque loss in a fan or pump application.

### Set the Motor Iron Loss for Torque Compensation

Only required when using V/f Control. Enter this value in watts to E2-10. The drive uses this setting to improve the precision of torque compensation.

## ◆ E3: V/f Pattern for Motor 2

These parameters set the V/f pattern used for motor 2. *Refer to Setting 16: Motor 2 Selection on page 251* for details on switching motors.

**Note:** The function for switching between two motors cannot be used with a PM motor. E3-□□ parameters are hidden when a PM motor control mode is selected (A1-02 = 5, 6, or 7).

### ■ E3-01: Motor 2 Control Mode Selection

Selects the control mode for motor 2. A control mode for PM motors cannot be selected for motor 2.

No.	Parameter Name	Setting Range	Default
E3-01	Motor 2 Control Mode Selection	0 to 3	0

**Note:** L1-01 determines protection from motor overload (oL1) in motor 2 and motor 1.

### Setting 0: V/f Control

### Setting 1: V/f Control with PG

### Setting 2: Open Loop Vector Control

### Setting 3: Closed Loop Vector Control

### ■ E3-04 to E3-13

Parameters E3-04 through E3-13 set up the V/f pattern used for motor 2 as shown in *Figure 5.54*.

**Note:** Certain E3-□□ parameters might not be visible depending on the control mode. *Refer to Parameter List on page 441* for details.

No.	Parameter Name	Setting Range	Default
E3-04	Motor 2 Max Output Frequency	40.0 to 400.0 Hz	<1>
E3-05	Motor 2 Max Voltage	0.0 to 255.0 V <1>	<1> <2>
E3-06	Motor 2 Base Frequency	0.0 to [E3-04]	<2>
E3-07	Motor 2 Mid Output Frequency	0.0 to [E3-04]	<2>
E3-08	Motor 2 Mid Output Frequency Voltage	0.0 to 255.0 V <1>	<1> <2>
E3-09	Motor 2 Minimum Output Frequency	0.0 to [E3-04]	<2>
E3-10	Motor 2 Minimum Output Frequency Voltage	0.0 to 255.0 V <1>	<1> <2>
E3-11	Motor 2 Mid Output Frequency 2	0.0 to [E3-04]	0.0 Hz <4>
E3-12	Motor 2 Mid Output Frequency Voltage 2	0.0 to 255.0 V <1>	0.0 V <3> <4>
E3-13	Motor 2 Base Voltage	0.0 to 255.0 V <1>	0.0 V <3>

<1> Values shown here are specific to 200 V class drives. Double the value for 400 V class drives.

<2> Default setting is determined by the control mode selected for motor 2 (E3-01).

<3> The drive sets this value when Auto-Tuning is performed (Rotational Auto-Tuning and Stationary Auto-Tuning 2).

<4> Parameter ignored when E3-11 and E3-12 are set to 0.0.



## 5.5 E: Motor Parameters

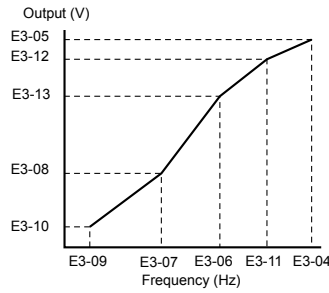


Figure 5.54 V/f Pattern for Motor 2

- Note:**
1. The following conditions must be true when setting up the V/f pattern:  $E3-09 \leq E3-07 < E3-06 \leq E3-11 \leq E3-04$
  2. To make the V/f pattern a straight line at a frequency lower than E3-06, set E3-09 equal to E3-07. In this case, E3-08 is disregarded.
  3. Parameters E3-04 through E3-13 are reset to their default values when the drive is initialized.
  4. Only use E3-11, E3-12, and E3-13 to fine-tune the V/f pattern in the constant output range. These parameters rarely need to be changed.

### ◆ E4: Motor 2 Parameters

E4 parameters contain the motor data for motor 2. These parameters are usually set automatically during the Auto-Tuning process for vector control modes (Rotational Auto-Tuning, Stationary Auto-Tuning 2, 3). [Refer to Auto-Tuning Fault Detection on page 364](#) for details if Auto-Tuning cannot be performed.

**Note:** The function for switching between two motors cannot be used with a PM motor. E4-□□ parameters are hidden when a PM motor control mode is selected (A1-02 = 5, 6, or 7).

#### ■ E4-01: Motor 2 Rated Current

Protects the motor and calculates torque limits. Set E4-01 to the full load amps (FLA) stamped on the nameplate of motor 2. If Auto-Tuning completes successfully, the value entered to T1-04 will automatically be saved to E4-01.

No.	Parameter Name	Setting Range	Default
E4-01	Motor 2 Rated Current	10 to 150% of the drive rated current. </>	Determined by C6-01 and o2-04

</> Display is in the following units:  
 2□0028, 2□0042, and 4□0011 to 4□0027: 0.01 A units  
 2□0054 to 2□0248 and 4□0034 to 4□0414: 0.1 A units

**Note:** An oPE02 error will occur if the motor rated current in E4-01 is set lower than the motor no-load current in E4-03. Set E4-03 correctly to prevent this error.

#### ■ E4-02: Motor 2 Rated Slip

Sets the motor 2 rated slip frequency and is the basis for slip compensation value. The drive calculates this value automatically during Auto-Tuning (Rotational Auto-Tuning and Stationary Auto-Tuning 2, 3).

[Refer to E2-02: Motor Rated Slip on page 224](#) for information on calculating the motor rated slip.

No.	Parameter Name	Setting Range	Default
E4-02	Motor 2 Rated Slip	0.00 to 20.00 Hz	Determined by C6-01 and o2-04

#### ■ E4-03: Motor 2 Rated No-Load Current

Sets the no-load current for motor 2 in amperes when operating at the rated frequency and the no-load voltage. The drive sets E2-03 during the Auto-Tuning process (Rotational Auto-Tuning and Stationary Auto-Tuning 2, 3). The motor no-load current listed in the motor test report can also be entered to E2-03 manually. Contact the motor manufacturer for a copy of the motor test report.

No.	Parameter Name	Setting Range	Default
E4-03	Motor 2 Rated No-Load Current	0 to [E4-01] </>	Determined by C6-01 and o2-04

</> Display is in the following units:  
 2□0028, 2□0042, and 4□0011 to 4□0027: 0.01 A units  
 2□0054 to 2□0248 and 4□0034 to 4□0414: 0.1 A units



### ■ E4-04: Motor 2 Motor Poles

Sets the number of poles for motor 2. If Auto-Tuning completes successfully, the value entered to T1-06 will be automatically saved to E4-04.

No.	Parameter Name	Setting Range	Default
E4-04	Motor 2 Motor Poles	2 to 48	4

### ■ E4-05: Motor 2 Line-to-Line Resistance

Sets the line-to-line resistance for the motor 2 stator winding. If Auto-Tuning completes successfully, this value is automatically calculated. Enter this value as line-to-line and not for each motor phase. *Refer to E2-05: Motor Line-to-Line Resistance on page 225* to manually enter this parameter setting.

No.	Parameter Name	Setting Range	Default
E4-05	Motor 2 Line-to-Line Resistance	0.000 to 65000 mΩ	Determined by C6-01 and o2-04

### ■ E4-06: Motor 2 Leakage Inductance

Sets the voltage drop due to motor leakage inductance as a percentage of rated voltage of motor 2. This value is automatically set during Auto-Tuning (Rotational Auto-Tuning and Stationary Auto-Tuning 2,3).

No.	Parameter Name	Setting Range	Default
E4-06	Motor 2 Leakage Inductance	0.0 to 40.0%	Determined by C6-01 and o2-04

### ■ E4-07: Motor 2 Motor Iron-Core Saturation Coefficient 1

Sets the motor 2 iron saturation coefficient at 50% of magnetic flux. This value is automatically set during Rotational Auto-Tuning. Adjust this parameter when operating in the constant output range.

No.	Parameter Name	Setting Range	Default
E4-07	Motor 2 Motor Iron-Core Saturation Coefficient 1	0.00 to 0.50	0.50

### ■ E4-08: Motor 2 Motor Iron-Core Saturation Coefficient 2

Sets the motor iron saturation coefficient at 75% of magnetic flux. This value is automatically set during Rotational Auto-Tuning. Adjust this parameter when operating in the constant output range.

No.	Parameter Name	Setting Range	Default
E4-08	Motor 2 Motor Iron-Core Saturation Coefficient 2	[E4-07] to 0.75	0.75

### ■ E4-09: Motor 2 Mechanical Loss

Sets the motor mechanical loss as a percentage of motor rated power (kW).

Although E4-09 rarely needs to be changed, adjustment may be necessary in the following circumstances:

- When there is a large amount of torque loss due to motor bearing friction.
- When there is a large amount of torque loss in a fan or pump application.

The setting for the mechanical loss is added to the torque.

No.	Parameter Name	Setting Range	Default
E4-09	Motor 2 Mechanical Loss	0.0 to 10.0%	0.0%

### ■ E4-10: Motor 2 Iron Loss

Sets the motor 2 iron loss in watts.

No.	Parameter Name	Setting Range	Default
E4-10	Motor 2 Iron Loss	0 to 65535 W	Determined by C6-01 and o2-04

## 5.5 E: Motor Parameters

### ■ E4-11: Motor 2 Rated Power

Sets the motor 2 rated power. If Auto-Tuning completes successfully, the value entered to T1-02 will automatically be saved to E4-11.

No.	Parameter Name	Setting Range	Default
E4-11	Motor 2 Rated Power	0.00 to 650.00 kW	Determined by o2-04

### ◆ E5: PM Motor Settings

These parameters set the motor data of a PM motor.

When using Yaskawa motors, set up the E5-□□ parameters by entering the motor code written on the motor nameplate.

Perform Auto-Tuning for all other PM motors. The motor data can also be entered manually, if known.

- Note:**
1. E5-□□ parameters are visible only when a PM motor control mode is selected (A1-02 = 5, 6, or 7).
  2. E5-□□ parameters are not reset when the drive is initialized using parameter A1-03.

### ■ E5-01: Motor Code Selection (for PM Motors)

When using Yaskawa motors, set the motor code for the PM motor being used. The drive automatically sets several parameters to appropriate values depending on the motor code.

Setting parameter E5-01 to FFFF allows the motor data to be manually set using the E5-□□ parameters.

No.	Parameter Name	Setting Range	Default
E5-01	Motor Code Selection (for PM Motors)	0000 to FFFF	Determined by A1-02, C6-01 and o2-04

- Note:**
1. E5-□□ parameters are not reset when the drive is initialized using parameter A1-03.
  2. When E5-01 is set to a value other than FFFF, the drive will not initialize using parameter A1-03
  3. Changing E5-01 to FFFF from value other than FFFF will not change the values of parameters E5-02 through E5-24.
  4. Set E5-01 to FFFF when using a motor other than a Yaskawa SMRA, SSR1, or SST4 series.
  5. Default settings are:  
 OLV/PM, AOLV/PM: Yaskawa SSR1 Series (1750 r/min)  
 CLV/PM: Yaskawa SST4 Series (1750 r/min)
  6. Selection may vary depending on the motor code entered to E5-01.
  7. If an alarm or hunting occurs despite using a motor code, enter the value indicated on the nameplate. *Refer to Auto-Tuning for Permanent Magnet Motors on page 131* for details.

Figure 5.55 explains the motor code setting.

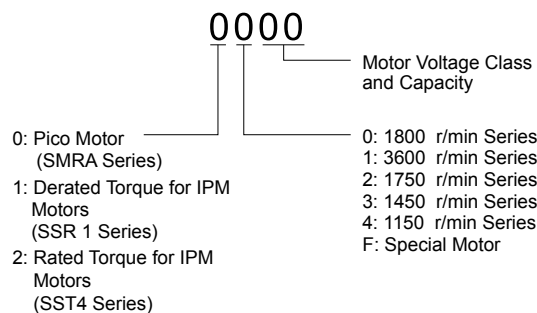


Figure 5.55 PM Motor Code

### ■ E5-02: Motor Rated Power (for PM Motors)

Sets the rated power of the motor. Determined by the value set to T2-04 during Stationary Auto-Tuning for PM motors or by entering the motor code to E5-01.

No.	Parameter Name	Setting Range	Default
E5-02	Motor Rated Power (for PM Motors)	0.10 to 650.00 kW	Determined by E5-01

### ■ E5-03: Motor Rated Current (for PM Motors)

Sets the motor rated current in amps. Automatically set when the value is entered to T2-06 during Auto-Tuning.

No.	Parameter Name	Setting Range	Default
E5-03	Motor Rated Current (for PM Motors)	10 to 150% of drive rated current <1>	Determined by E5-01

<1> Display is in the following units:

2□0028, 2□0042, and 4□0011 to 4□0027: 0.01 A units

2□0054 to 2□0248 and 4□0034 to 4□0414: 0.1 A units

### ■ E5-04: Number of Motor Poles (for PM Motors)

Sets the number of motor poles. Automatically set when the value is entered to T2-08 during Auto-Tuning.

No.	Parameter Name	Setting Range	Default
E5-04	Number of Motor Poles (for PM Motors)	2 to 48	Determined by E5-01

### ■ E5-05: Motor Stator Resistance (r1) (for PM Motors)

Set the resistance for one motor phase. Do not enter the line-to-line resistance into E5-05 when measuring the resistance manually.

No.	Parameter Name	Setting Range	Default
E5-05	Motor Stator Resistance (for PM Motors)	0.000 to 65.000 Ω	Determined by E5-01

### ■ E5-06: Motor d-Axis Inductance (Ld) (for PM Motors)

Sets the d-Axis inductance in 0.01 mH units. This parameter is set during the Auto-Tuning process.

No.	Parameter Name	Setting Range	Default
E5-06	Motor d-Axis Inductance (for PM Motors)	0.00 to 300.00 mH	Determined by E5-01

### ■ E5-07: Motor q-Axis Inductance (Lq) (for PM Motors)

Sets the q-Axis inductance in 0.01 mH units. This parameter is set during the Auto-Tuning process.

No.	Parameter Name	Setting Range	Default
E5-07	Motor q-Axis Inductance (for PM Motors)	0.00 to 600.00 mH	Determined by E5-01

### ■ E5-09: Motor Induction Voltage Constant 1 (Ke) (for PM Motors)

Sets the induced peak voltage per phase in units of 0.1 mV/(rad/s) [electrical angle]. Set this parameter when using an IPM motor with derated torque (SSR1 series or equivalent) or an IPM motor with constant torque (SST4 series or equivalent).

Set the voltage constant with E5-09 or E5-24 when E5-01 is set to FFFF. This parameter is set during Auto-Tuning for PM motors.

No.	Parameter Name	Setting Range	Default
E5-09	Motor Induction Voltage Constant 1 (for PM Motors)	0.0 to 2000.0 mV/(rad/s)	Determined by E5-01

**Note:** Set E5-24 to 0 when setting E5-09. However, setting both E5-09 and E5-24 to 0 will trigger an alarm. An alarm will also be triggered if neither E5-09 nor E5-24 are set to 0. When E5-01 is set to FFFF, then E5-09 = 0.0.

### ■ E5-11: Encoder Z Pulse Offset ( $\Delta\theta$ ) (for PM Motors)

Sets the offset between the rotor magnetic axis and the Z Pulse of the connected encoder. This parameter is set during Auto-Tuning for PM motors and during Z Pulse Tuning.

No.	Parameter Name	Setting Range	Default
E5-11	Encoder Z Pulse Offset (for PM Motors)	-180.0 to 180.0 deg	0.0 deg

## 5.5 E: Motor Parameters

### ■ E5-24: Motor Induction Voltage Constant 2 (Ke) (for PM Motors)

Set the induced phase-to-phase rms voltage in units of 0.1 mV/(r/min) [mechanical angle]. Set this parameter when using an SPM Motor (SMRA Series or equivalent).

When E5-01 is set to FFFF, use either E5-09 or E5-24 for setting the voltage constant. This parameter is set during Parameter Auto-Tuning for PM motors.

No.	Parameter Name	Setting Range	Default
E5-24	Motor Induction Voltage Constant 2 (for PM Motors)	0.0 to 6500.0 mV/(r/min)	Determined by E5-01

**Note:** Set E5-24 to 0.0 when setting E5-09. However, setting both E5-09 and E5-24 to 0.0 will trigger an alarm. An alarm will also be triggered if neither E5-09 nor E5-24 are set to 0.0. When E5-01 is set to FFFF, then E5-09 should be set to 0.0.

### ■ E5-25: Polarity Switch for Initial Polarity Estimation Timeout (for PM Motors)

Switches polarity for initial polarity estimation. There is normally no need to change this parameter from the default value.

If “Sd = 1” is listed on the nameplate or in a test report for a Yaskawa motor, this parameter should be set to 1.

No.	Parameter Name	Setting Range	Default
E5-25	Polarity Switch for Initial Polarity Estimation Timeout (for PM Motors)	0, 1	0

**Setting 0: “Sd = 1” is not listed**

**Setting 1: “Sd = 1” is listed**

## 5.6 F: Option Settings

### ◆ F1: PG Speed Control Card Settings

Yaskawa offers PG-X3, PG-B3, PG-RT3, and PG-F3 motor encoder PG option cards. Use the CN5-C port when using only one PG option card and use the CN5-C and CN5-B ports when using two PG option cards. When programming one of the multi-function input terminals to act as a switch between two motors (H1-□□= 16), use the card connected to port CN5-C for motor 1 and use the card connected to CN5-B for motor 2.

Table 5.35 lists the parameters that must be set for each option card port.

Table 5.35 Option Card Ports and Corresponding Parameters

Port	Parameters
CN5-C and CN5-B (common)	F1-02 to F1-04, F1-08 to F1-11, F1-14
CN5-C only	F1-01, F1-05, F1-06, F1-12, F1-13, F1-18 to F1-21
CN5-B only	F1-31 to F1-37

### ■ F1-01, F1-31: PG 1 and PG 2 Pulses Per Revolution

Sets the number encoder number of pulses per revolution.

No.	Parameter Name	Option Port	Setting Range	Default
F1-01	PG 1 Pulses Per Revolution	CN5-C	1 to 60000 ppr <sup>&lt;/&gt;</sup>	1024 ppr
F1-31	PG 2 Pulses Per Revolution	CN5-B	1 to 60000 ppr	1024 ppr

<1> Setting range is 0 to 15000 in PM motor control modes

### ■ F1-02, F1-14: PG Open (PGo) Circuit Operation Selection, Detection Time

A PGo fault is triggered if the drive receives no pulse signal for longer than the time set in F1-14. Set the stopping method for a PGo fault in parameter F1-02.

**Note:** An oC error may occur depending on motor speed and load conditions.

No.	Parameter Name	Option Port	Setting Range	Default
F1-02	Operation Selection at PG Open Circuit (PGo)	CN5-B, CN5-C	0 to 4	1
F1-14	PG Open-Circuit Detection Time	CN5-B, CN5-C	0.0 to 10.0 s	2.0 s

#### Parameter F1-02 Settings:

**Setting 0: Ramp to stop (uses the deceleration time set to C1-02)**

**Setting 1: Coast to stop**

**Setting 2: Fast Stop (uses the Fast Stop time set to C1-09)**

**Setting 3: Alarm only**

**Note:** Due to potential damage to motor and machinery, refrain from using the “Alarm only” or “No alarm display” settings except under special circumstances.

**Setting 4: No alarm display**

**Note:** Due to potential damage to motor and machinery, refrain from using the “Alarm only” or “No alarm display” settings except under special circumstances.

### ■ F1-03, F1-08, F1-09: Overspeed (oS) Operation Selection, Detection Level, Delay Time

An oS fault is triggered when the speed feedback exceeds the value set in F1-08 for longer than the time set in F1-09. Set the stopping method for an oS fault in parameter F1-03.

**Note:** In AOLV/PM, the motor will coast to a stop (F1-03 = 1). The setting for F1-03 cannot be changed to 0, 2, or 3.

No.	Parameter Name	Option Port	Setting Range	Default
F1-03	Operation Selection at Overspeed (oS)	CN5-B, CN5-C	0 to 3	1
F1-08	Overspeed Detection Level	CN5-B, CN5-C	0 to 120%	115%
F1-09	Overspeed Detection Delay Time	CN5-B, CN5-C	0.0 to 2.0 s	Determined by A1-02

#### Parameter F1-03 Settings:

## 5.6 F: Option Settings

**Setting 0: Ramp to stop (uses the deceleration time set to C1-02)**

**Setting 1: Coast to stop**

**Setting 2: Fast Stop (uses the Fast Stop time set to C1-09)**

**Setting 3: Alarm only**

**Note:** Due to potential damage to motor and machinery, refrain from using the “Alarm only” setting except under special circumstances.

### ■ F1-04, F1-10, F1-11: Operation at Speed Deviation (dEv), Detection Level, Delay Time

A speed deviation error (dEv) is triggered when the difference between the frequency reference and the speed feedback exceeds the value set in F1-10 for longer than the time set in F1-1. The stopping method when a speed deviation fault occurs can be selected in parameter F1-04.

No.	Parameter Name	Option Port	Setting Range	Default
F1-04	Operation Selection at Deviation (dEv)	CN5-B, CN5-C	0 to 3	3
F1-10	Excessive Speed Deviation Detection Level	CN5-B, CN5-C	0 to 50%	10%
F1-11	Excessive Speed Deviation Detection Delay Time	CN5-B, CN5-C	0.0 to 10.0 s	0.5 s

**Settings for Parameter F1-04:**

**Setting 0: Ramp to stop (uses the deceleration time set to C1-02)**

**Setting 1: Coast to stop**

**Setting 2: Fast Stop (uses the Fast Stop time set to C1-09)**

**Setting 3: Alarm only (drive continues operating while “dEv” flashes on the screen)**

### ■ F1-05, F1-32: PG 1, PG 2 Rotation Selection

Determines the direction indicated by the pulses from the PG feedback encoder for motor 1 and motor 2.

See PG option card instruction manual for details on setting the direction for the PG encoder and the motor.

No.	Parameter Name	Option Port	Setting Range	Default
F1-05	PG 1 Rotation Selection	CN5-C	0, 1	Determined by A1-02 </>
F1-32	PG 2 Rotation Selection	CN5-B	0, 1	0

</> Default is 0 when A1-02 = 1 or 3. Default is 1 when A1-02 = 7.

**Setting 0: A pulse leads with Forward run command**

**Setting 1: B pulse leads with Forward run command**

### ■ F1-06, F1-35: PG 1, PG 2 Division Rate for PG Pulse Monitor

Sets the ratio between the pulse input and the pulse output of a PG option card as a three-digit number, where the first digit (n) sets the numerator and the second and third digit (m) set the denominator as shown below:

$$f_{\text{Pulse Input}} = f_{\text{Pulse Output}} \cdot \frac{(1 + n)}{m}$$

Example: Set F1-06 to 032 for a ratio of 1/32 between the PG card pulse input and output.

No.	Parameter Name	Option Port	Setting Range	Default
F1-06	PG 1 Division Rate for PG Pulse Monitor	CN5-C	001 to 032, 102 to 132 (1 to $\frac{1}{32}$ )	1
F1-35	PG 2 Division Rate for PG Pulse Monitor	CN5-B	1 to 132 (1 to $\frac{1}{32}$ )	1

### ■ F1-12, F1-13, F1-33, F1-34: PG 1, PG 2 Gear Teeth 1, 2 (V/f w/PG only)

Sets the gear ratio between the motor shaft and the PG encoder. F1-12 and F1-33 set the number of gear teeth on the motor side, while F1-13 and F-34 set the number of gear teeth on the load side. The drive uses the formula below to calculate the motor speed:

$$r/\text{min} = \frac{\text{Input pulse frequency from PG} \times 60}{\text{Pulses per Rev (F1-01/31)}} \cdot \frac{\text{Load-side PG gear teeth (F1-12/33)}}{\text{Motor-side PG gear teeth (F1-13/34)}}$$

No.	Parameter Name	Option Port	Setting Range	Default
F1-12	PG 1 Gear Teeth 1	CN5-C	0 to 1000	0
F1-13	PG 1 Gear Teeth 2	CN5-C	0 to 1000	0
F1-33	PG 2 Gear Teeth 1	CN5-B	0 to 1000	0
F1-34	PG 2 Gear Teeth 2	CN5-B	0 to 1000	0

**Note:** A gear ratio of 1 will be used if any of these parameters are set to 0.

### ■ F1-18: dv3 Detection Selection (CLV/PM)

Sets the number of times the drive will detect a dv3 situation before triggering a dv3 fault. The drive detects a dv3 condition when the torque reference and speed reference are in opposite directions while the difference between the actual motor speed and the speed reference is greater than 30%. Setting F1-18 to 0 disables dv3 detection.

No.	Parameter Name	Option Port	Setting Range	Default
F1-18	dv3 Detection Selection	CN5-B, CN5-C	0 to 10	10

**Note:** A common cause for a dv3 fault is the incorrect setting of E5-11. Make sure to enter the correct Z Pulse offset to E5-11.

### ■ F1-19: dv4 Detection Selection (CLV/PM)

Sets the number of pulses necessary to trigger a dv4 fault when there is a motor speed deviation opposite to the frequency reference. Setting F1-19 to 0 disables dv4 detection.

No.	Parameter Name	Option Port	Setting Range	Default
F1-19	dv4 Detection Selection	CN5-B, CN5-C	0 to 5000	128

- Note:**
1. A common cause for a dv4 fault is the incorrect setting of E5-11. Make sure to enter the correct Z-pulse offset to E5-11.
  2. Set F1-19 to 0 for applications where the direction of the load is the opposite of the speed reference.

### ■ F1-20, F1-36: PG Option Card Disconnect Detection

Sets whether the drive detects a PG hardware fault (PGoH).

No.	Parameter Name	Option Port	Setting Range	Default
F1-20	PG Option Card Disconnection Detection 1	CN5-C	0, 1	1
F1-36	PG Option Card Disconnection Detection 2	CN5-B	0, 1	1

**Setting 0: Disabled**

**Setting 1: Enabled**

### ■ F1-21, F1-37: PG 1, PG 2 Signal Selection (V/f w/PG only)

Determines whether the signal to the PG option card is single-channel or two-channel.

No.	Parameter Name	Option Port	Setting Range	Default
F1-21	PG 1 Signal Selection	CN5-C	0, 1	0
F1-37	PG 2 Signal Selection	CN5-B	0, 1	0

**Setting 0: Single-channel (A channel only)**

**Setting 1: Two-channel (channels A and B)**

### ■ F1-30: PG Option Card Port for Motor 2 Selection

Specifies the drive port for the PG option card used for motor 2. Set this parameter when switching between motor 1 and motor 2, where both motors supply a speed feedback signal to the drive. Set F1-30 to 0 when using the same PG card for feedback signals from both motors. Set F1-30 to 1 when each motor has its own PG card connected to the drive.

**Note:** The motor 2 selection function cannot be used with PM motors.



## 5.6 F: Option Settings

No.	Parameter Name	Setting Range	Default
F1-30	PG Option Card Port for Motor 2 Selection	0, 1	1

**Setting 0: CN5-C**

**Setting 1: CN5-B**

### ■ F1-50: Encoder Selection

Sets up the type of encoder connected to a PG-F3 option card.

No.	Parameter Name	Setting Range	Default
F1-50	Encoder Selection	0 to 2	0

**Setting 0: EnDat 2.1/01, 2.2/01 Serial Communications operation + Sin/Cos**

**Setting 1: EnDat 2.2/22 Serial Communications operation**

The use of EnDat2.2/22 encoders requires a PG-F3 option with software version 0102 or later.

**Setting 2: Hiperface**

### ■ F1-51: PGoH Detection Level

Sets the level for detecting PG Hardware Fault (PGoH). Available when F1-20 = 1.

Usually the relation between the sin and cos track is .

A speed feedback hardware fault is triggered when the value of the square root falls below the level set in F1-51.

No.	Parameter Name	Setting Range	Default
F1-51	PGoH Detection Level	1 to 100%	80%

### ■ F1-52: Communication Speed of Serial Encoder Selection

Selects the speed for serial communication between a PG-F3 option card and serial encoder.

No.	Parameter Name	Setting Range	Default
F1-52	Communication Speed of Serial Encoder Selection	0 to 3	0

**Setting 0: 1M bps / 9600 bps (EnDat 2.2/22 / Hiperface)**

**Setting 1: 500k bps / 19200 bps (EnDat 2.2/22 / Hiperface)**

**Setting 2: 1M bps / 38400 bps (EnDat 2.2/22 / Hiperface)**

**Setting 3: 1M bps / 38400 bps (EnDat 2.2/22 / Hiperface)**

## ◆ F2: Analog Input Card Settings

These parameters set the drive for operation with the analog input option card AI-A3. If no AI-A3 card is connected, drive terminals A1 to A3 are enabled regardless of the F2-01 setting. This section describes parameters that govern operation with an input option card. Refer to the option card instruction manual for specific details on installation, wiring, input signal level selection, and parameter setup.

### ■ F2-01: Analog Input Option Card Operation Selection

Determines how the input terminals on the AI-A3 option card are used.

No.	Parameter Name	Setting Range	Default
F2-01	Analog Input Option Card Operation Selection	0, 1	0

**Setting 0: Separate functions for each terminal (V1, V2, V3 replace terminals A1, A2, A3)**

Use the H3-□□ parameters described in [H3-03, H3-04: Terminal A1 Gain and Bias Settings](#) on page 267 to set the functions and gain and bias levels for an analog reference supplied by AI-A3.

**Note:** Setting option card terminals for separate input functions (F2-01 = 0) while b1-01 = 3 will trigger an oPE05 error.



**Setting 1: Combine input terminal values to create frequency reference (V1, V2, V3 are combined)**

This setting adds all three input signals on the AI-A3 option card to create the frequency reference. Set b1-01 to 3 when the option card is the source of the frequency reference for the drive. Set the gain and bias settings for the frequency reference supplied from AI-A3 with F2-02 and F2-03.

**■ F2-02, F2-03: Analog Input Option Card Gain, Bias**

Parameter F2-02 sets the gain and parameter F2-03 sets the bias for the AI-A3 input signal when the card is used in the combined input signals mode (F2-01 = 1). Both gain and bias are set as a percentage of the maximum output frequency.

No.	Parameter Name	Setting Range	Default
F2-02	Analog Input Option Card Gain	-999.9 to 999.9%	100.0%
F2-03	Analog Input Option Card Bias	-999.9 to 999.9%	0.0%

**Note:** Enabled only when F2-01 = 1.

**◆ F3: Digital Input Card Settings**

These parameters set the drive for operation with the option card DI-A3. Refer to the instruction manual packaged with the option card for specific details on installation, wiring, input signal level selection, and parameter setup.

**■ F3-01: Digital Input Option Card Input Selection**

Determines the type of input for digital option card DI-A3 when o1-03 is set to 0 or 1.

No.	Parameter Name	Setting Range	Default
F3-01	Digital Input Option Card Input Selection	0 to 7	0

**Note:** BCD input when o1-03 = 2 or 3. Units are determined by o1-03.

**Setting 0: BCD, 1% units**

**Setting 1: BCD, 0.1% units**

**Setting 2: BCD, 0.01% units**

**Setting 3: BCD, 1 Hz units**

**Setting 4: BCD, 0.1 Hz units**

**Setting 5: BCD, 0.01 Hz units**

**Setting 6: BCD, special setting (5 digit input), 0.02 Hz units**

**Setting 7: Binary**

The unit and the setting range are determined by F3-03.

F3-03 = 0: 255/100% (-255 to +255)

F3-03 = 1: 4095/100% (-4095 to +4095)

F3-03 = 2: 30000/100% (-33000 to +33000)

**Note:** BCD input when o1-03 = 2 or 3. Units are determined by o1-03.

**■ F3-03: Digital Input Option DI-A3 Data Length Selection**

Determines the number of bits for the option card input that sets the frequency reference.

No.	Parameter Name	Setting Range	Default
F3-03	Digital Input Option DI-A3 Data Length Selection	0 to 2	2

**Setting 0: 8 bit**

**Setting 1: 12 bit**

**Setting 2: 16 bit**

## 5.6 F: Option Settings

### ◆ F4: Analog Monitor Card Settings

These parameters set the drive for operation with the analog output option card AO-A3. Refer to the instruction manual packaged with the option card for specific details on installation, wiring, input signal level selection, and parameter setup.

#### ■ F4-01, F4-03: Terminal V1, V2 Monitor Selection

Selects the data to output from analog terminal V1. Enter the final three digits of U□-□□ to determine which monitor data is output from the option card. Some monitors are only available in certain control modes.

No.	Parameter Name	Setting Range	Default
F4-01	Terminal V1 Monitor Selection	000 to 999	102
F4-03	Terminal V2 Monitor Selection	000 to 999	103

#### ■ F4-02, F4-04, F4-05, F4-06: Terminal V1, V2 Monitor Gain and Bias

Parameters F4-02 and F4-04 determine the gain, while parameters F4-05 and F4-06 set the bias. These parameters are set as a percentage of the output signal from V1 and V2 where 100% equals 10 V output. The terminal output voltage is limited to 10 V.

No.	Parameter Name	Setting Range	Default
F4-02	Terminal V1 Monitor Gain	-999.9 to 999.9%	100.0%
F4-04	Terminal V2 Monitor Gain	-999.9 to 999.9%	50.0%
F4-05	Terminal V1 Monitor Bias	-999.9 to 999.9%	0.0%
F4-06	Terminal V2 Monitor Bias	-999.9 to 999.9%	0.0%

#### Using Gain and Bias to Adjust Output Signal Level

The output signal is adjustable while the drive is stopped.

##### Terminal V1

1. View the value set to F4-02 (Terminal V1 Monitor Gain) on the digital operator. A voltage equal to 100% of the parameter being set in F4-01 will be output from terminal V1.
2. Adjust F4-02 viewing the monitor connected to the terminal V1.
3. View the value set to F4-05 on the digital operator, terminal V1 will output a voltage equal to 0% of the parameter being set in F4-01.
4. Adjust F4-05 viewing the output signal on the terminal V1.

##### Terminal V2

1. View the value set to F4-02 (Terminal V2 Monitor Gain) on the digital operator. A voltage equal to 100% of the parameter being viewed in F4-03 will be output from terminal V2.
2. Adjust F4-04 viewing the monitor connected to the terminal V2.
3. View the value set to F4-06 on the digital operator, terminal V2 will output a voltage equal to 0% of the parameter being set in F4-03.
4. Adjust F4-06 viewing the output signal on the terminal V2.

#### ■ F4-07, F4-08: Terminal V1, V2 Signal Level

Sets the output signal level for terminals V1 and V2.

No.	Parameter Name	Setting Range	Default
F4-07	Terminal V1 Signal Level	0, 1	0
F4-08	Terminal V2 Signal Level	0, 1	0

Setting 0: 0 to 10 V

Setting 1: -10 to 10 V

### ◆ F5: Digital Output Card Settings

These parameters set the drive for operation with the digital output option card DO-A3. Refer to the instruction manual packaged with the option card for specific details on installation, wiring, input signal level selection, and parameter setup.

## ■ F5-01 through F5-08: Digital Output Option Card Terminal Function Selection

When F5-09 = 2, the parameters listed in the table below assign functions to the output terminals on the option card.

No.	Name	Setting Range	Default
F5-01	Terminal P1-PC Output Selection	0 to 1A7	0: During run
F5-02	Terminal P2-PC Output Selection	0 to 1A7	1: Zero speed
F5-03	Terminal P3-PC Output Selection	0 to 1A7	2: Speed agree
F5-04	Terminal P4-PC Output Selection	0 to 1A7	4: Frequency detection 1
F5-05	Terminal P5-PC Output Selection	0 to 1A7	6: Drive ready
F5-06	Terminal P6-PC Output Selection	0 to 1A7	37: During frequency output
F5-07	Terminal M1-M2 Output Selection	0 to 1A7	F: Not used
F5-08	Terminal M3-M4 Output Selection	0 to 1A7	F: Not used

## ■ F5-09: DO-A3 Output Mode Selection

Determines how the DO-A3 option card works with the drive.

No.	Parameter Name	Setting Range	Default
F5-09	DO-A3 Output Mode Selection	0 to 2	0

**Note:** Refer to TOBP C730600 41 Yaskawa AC Drive-Option DO-A3 Installation Manual for more details on F5-09 settings.

### Setting 0: Separate Output Functions for Each of 8 Terminals

### Setting 1: Binary Output

### Setting 2: Output Functions Assigned by F5-01 through F5-08

## ◆ F6 and F7: Communication Option Card

These parameters configure communication option cards and communication fault detection methods.

Some parameters apply to all communication option cards and some parameters apply to certain network options only. The option cards are applicable to the parameter rows marked with an "O".

Comm. Protocol	Parameter Range												
	F6-01 to F6-03	F6-04	F6-06 to F6-08	F6-10 to F6-14	F6-20, F6-21	F6-22	F6-23 to F6-26	F6-30 to F6-32	F6-35, F6-36	F6-50 to F6-63	F7-01 to F7-15	F7-16	F7-17 to F7-42
CC-Link	O	O	O	O	-	-	-	-	-	-	-	-	-
MECHA-TROLINK-II	O	-	O	-	O	O	O	-	-	-	-	-	-
MECHA-TROLINK-III	O	-	O	-	O	-	O	-	-	-	-	-	-
PROFIBUS-DP	O	-	O	-	-	-	-	O	-	-	-	-	-
CANopen	O	-	O	-	-	-	-	-	O	-	-	-	-
DeviceNet	O	-	O	-	-	-	-	-	-	O	-	-	-
LonWorks	O	-	O	-	-	-	-	-	-	-	-	-	-
Modbus TCP/IP	O	-	O	-	-	-	-	-	-	-	O	O	-
PROFINET	O	-	O	-	-	-	-	-	-	-	O	-	O
EtherNet/IP	O	-	O	-	-	-	-	-	-	-	O	-	O

## ■ F6-01: Communications Error Operation Selection

Determines drive operation when a communication error occurs.

No.	Parameter Name	Setting Range	Default
F6-01	Communications Error Operation Selection	0 to 3	1

## 5.6 F: Option Settings

**Setting 0: Ramp to Stop (Use the Deceleration Time Set to C1-02)**

**Setting 1: Coast to Stop**

**Setting 2: Fast Stop (Use the Fast Stop Time Set to C1-09)**

**Setting 3: Alarm Only (Continue Operation)**

### ■ F6-02: External Fault from Comm. Option Detection Selection

Determines the detection method of an external fault initiated by a communication option (EF0).

No.	Parameter Name	Setting Range	Default
F6-02	External Fault from Comm. Option Detection Selection	0, 1	0

**Setting 0: Always Detected**

**Setting 1: Detection during Run Only**

### ■ F6-03: External Fault from Comm. Option Operation Selection

Determines drive operation when an external fault is initiated by a communication option (EF0).

No.	Parameter Name	Setting Range	Default
F6-03	External Fault from Comm. Option Operation Selection	0 to 3	1

**Setting 0: Ramp to Stop**

**Setting 1: Coast to Stop**

**Setting 2: Fast Stop**

**Setting 3: Alarm Only (Continue Operation)**

### ■ F6-06: Torque Reference/Torque Limit Selection from Comm. Option

Selects whether torque reference and torque limit values are assigned to the drive from the network.

No.	Parameter Name	Setting Range	Default
F6-06	Torque Reference/Torque Limit Selection from Comm. Option	0, 1	0

**Setting 0: Disabled**

**Setting 1: Enabled**

### ■ F6-07: NetRef/ComRef Function Selection

Selects the treatment of multi-step speed inputs when the NetRef command is set.

No.	Parameter Name	Setting Range	Default
F6-07	NetRef/ComRef Function Selection	0, 1	0

**Setting 0: Multi-step Speed Operation Disabled**

Multi-step speed input frequency references are disabled when the NetRef command is selected.

**Setting 1: Multi-step Speed Operation Enabled**

Multi-step speed inputs are still active and can override the frequency reference from the communications option even when the NetRef command is selected.

### ■ F6-08: Reset Communication Parameters

Determines whether F6-□□/F7-□□ communication-related parameters are reset after initialization.

No.	Parameter Name	Setting Range	Default
F6-08	Reset Communication Parameters	0, 1	0

**Setting 0: Do Not Reset F6-□□/□□ Parameters after Initialization Using A1-03****Setting 1: Reset F6-□□/□□ Parameters after Initialization Using A1-03**

**Note:** F6-08 is not reset when the drive is initialized.

## ◆ CC-Link Parameters

Parameters F6-04, F6-10, F6-11, and F6-14 set the drive to operate on a CC-Link network.

### ■ F6-04: bUS Error Detection Time

Sets the delay time for bUS error detection.

No.	Parameter Name	Setting Range	Default
F6-04	bUS Error Detection Time	0.0 to 5.0 s	2.0 s

### ■ F6-10: CC-Link Node Address

Sets the node address of a CC-Link option board.

No.	Parameter Name	Setting Range	Default
F6-10	CC-Link Node Address	0 to 64	0

### ■ F6-11: CC-Link Communication Speed

Sets the communication speed for a CC-Link option card.

No.	Parameter Name	Setting Range	Default
F6-11	CC-Link Communication Speed	0 to 4	0

**Setting 0: 156 kbps**

**Setting 1: 625 kbps**

**Setting 2: 2.5 Mbps**

**Setting 3: 5 Mbps**

**Setting 4: 10 Mbps**

### ■ F6-14: CC-Link bUS Error Auto Reset

Selects whether a bUS error can be automatically reset if automatic fault retry is enabled.

No.	Parameter Name	Setting Range	Default
F6-14	CC-Link bUS Error Auto Reset	0, 1	0

**Setting 0: Disabled, Auto Reset Not Possible**

**Setting 1: Enabled, Auto Reset Possible**

## ◆ MECHATROLINK Parameters

### ■ F6-20: MECHATROLINK Station Address

Sets the station address when the MECHATROLINK option is installed.

**Note:** All station addresses must be unique. Setting this parameter to 20 or 3F will trigger a Station Address Error (AEr) and turn on the “ERR” light.

No.	Parameter Name	Setting Range	Default
F6-20	MECHATROLINK Station Address	20 to 3FH <>	21H

<> Range shown is for the MECHATROLINK-II option (SI-T3). Range for MECHATROLINK-III option (SI-ET3) is: 03 to EFH.

### ■ F6-21: MECHATROLINK Frame Size

Sets the frame size.

No.	Parameter Name	Setting Range	Default
F6-21	MECHATROLINK Frame Size	0, 1	0

## 5.6 F: Option Settings

### Setting 0: 32-byte (MECHATROLINK-II option setting)

Value for MECHATROLINK-III option is: 64-byte

### Setting 1: 17-byte (MECHATROLINK-II option setting)

Value for MECHATROLINK-III option is: 32-byte

### ■ F6-22: MECHATROLINK Link Speed

Sets the communication speed for a MECHATROLINK-II option card.

**Note:** This parameter is only available with a MECHATROLINK-II option card.

No.	Parameter Name	Setting Range	Default
F6-22	MECHATROLINK Link Speed	0, 1	0

**Setting 0: 10 Mbps**

**Setting 1: 4 Mbps**

### ■ F6-23: MECHATROLINK Monitor Selection (Code 0EH)

Sets MEMOBUS/Modbus register to monitor SEL\_MON of INV\_CTL and INV\_CTL.

Setting byte 10 of INV\_CTL to “0EH” enables the register set by F6-23.

Bytes 11 and 12 of the response data enable the register content set by F6-23.

No.	Parameter Name	Setting Range	Default
F6-23	MECHATROLINK Monitor Selection (Code 0EH)	0 to FFFFH	0H

### ■ F6-24: MECHATROLINK Monitor Selection (Code 0FH)

Sets MEMOBUS/Modbus register to monitor SEL\_MON of INV\_CTL and INV\_CTL.

Setting byte 10 of INV\_CTL to 0FH enables the register set by F6-24.

Bytes 11 and 12 of the response data enable the register content set by F6-24.

No.	Parameter Name	Setting Range	Default
F6-24	MECHATROLINK Monitor Selection (Code 0FH)	0 to FFFFH	0H

### ■ F6-25: Operation Selection at Watchdog Error (E5)

No.	Parameter Name	Setting Range	Default
F6-25	Operation Selection at Watchdog Error (E5)	0 to 3	1

**Setting 0: Ramp to stop. Decelerate to stop using the deceleration time in C1-02.**

**Setting 1: Coast to stop**

**Setting 2: Fast Stop. Decelerate to stop using the deceleration time in C1-09.**

**Setting 3: Alarm only**

### ■ F6-26: MECHATROLINK bUS Errors Detected

No.	Parameter Name	Setting Range	Default
F6-26	MECHATROLINK bUS Errors Detected	2 to 10	2

## ◆ PROFIBUS-DP Parameters

Parameters F6-30 through F6-32 set the drive to run on a PROFIBUS-DP network.

### ■ F6-30: PROFIBUS-DP Node Address

Sets the node address of a PROFIBUS-DP option card.

No.	Parameter Name	Setting Range	Default
F6-30	PROFIBUS-DP Node Address	0 to 125	0

### ■ F6-31: PROFIBUS-DP Clear Mode Selection

Determines the operation when a Clear Mode command is received.

No.	Parameter Name	Setting Range	Default
F6-31	PROFIBUS-DP Clear Mode Selection	0, 1	0

#### Setting 0: Reset

Resets the drive operation (frequency reference, inputs, outputs etc.).

#### Setting 1: Maintain the Previous State

Returns the drive status to the state prior to receiving the command.

### ■ F6-32: PROFIBUS-DP Data Format Selection

Selects the data format used for PROFIBUS-DP communication.

No.	Parameter Name	Setting Range	Default
F6-32	PROFIBUS-DP Data Format Selection	0, 1	0

#### Setting 0: PPO-type Data Format

#### Setting 1: Conventional Data Format

## ◆ CANopen Parameters

Parameters F6-35 and F6-36 set the drive to operate on a CANopen network.

### ■ F6-35: CANopen Node ID Selection

Selects the node ID of a CANopen option board.

No.	Parameter Name	Setting Range	Default
F6-35	CANopen Node ID Selection	0 to 126	0

### ■ F6-36: CANopen Communication Speed

Sets the communication speed for a CANopen option card.

No.	Parameter Name	Setting Range	Default
F6-36	CANopen Communication Speed	0 to 8	6

#### Setting 0: Auto detection

Setting 1: 10 kbps

Setting 2: 20 kbps

Setting 3: 50 kbps

Setting 4: 125 kbps

Setting 5: 250 kbps

Setting 6: 500 kbps

Setting 7: 800 kbps

Setting 8: 1 Mbps

## ◆ DeviceNet Parameters

Parameters F6-50 through F6-63 set the drive to operate on a DeviceNet network.

### ■ F6-50: DeviceNet MAC Address

Sets the MAC address for a DeviceNet option card.

No.	Parameter Name	Setting Range	Default
F6-50	DeviceNet MAC Address	0 to 64	64

## 5.6 F: Option Settings

### ■ F6-51: DeviceNet Communication Speed

Sets the communication speed for a DeviceNet option card.

To assign the baud rate for the drive from the upper controller, set F6-51 = 3.

To make the drive detect the network speed, set F6-51 = 4. The drive will automatically adjust itself after detecting the network speed.

No.	Parameter Name	Setting Range	Default
F6-51	DeviceNet Communication Speed	0 to 4	4

**Setting 0: 125 kbps**

**Setting 1: 250 kbps**

**Setting 2: 500 kbps**

**Setting 3: Adjustable from network**

**Setting 4: Auto detection**

### ■ F6-52: DeviceNet PCA Setting

Defines the format for data the drive receives from the DeviceNet master.

No.	Parameter Name	Setting Range	Default
F6-52	DeviceNet PCA Setting	0 to 255	21

### ■ F6-53: DeviceNet PPA Setting

Defines the format for data sent from the drive to the DeviceNet master.

No.	Parameter Name	Setting Range	Default
F6-53	DeviceNet PPA Setting	0 to 255	71

### ■ F6-54: DeviceNet Idle Mode Fault Detection

Determines whether the drive triggers an EF0 fault when no data is received from the master (e.g., when the master is idling).

No.	Parameter Name	Setting Range	Default
F6-54	DeviceNet Idle Mode Fault Detection	0, 1	0

**Setting 0: Enabled**

**Setting 1: Disabled, No Fault Detection**

### ■ F6-55: DeviceNet Baud Rate Monitor

Displays the baud rate currently being used for network communications. F6-55 is used only as a monitor.

No.	Parameter Name	Setting Range	Default
F6-55	DeviceNet Baud Rate Monitor	0 to 2 (read only)	0

**Setting 0: 125 kbps**

**Setting 1: 250 kbps**

**Setting 2: 500 kbps**

### ■ F6-56 to F6-61: DeviceNet Scaling Factors

These parameters define scaling factors for drive monitors in the DeviceNet Class ID 2AH - AC/DC Drive Object.

No.	Parameter Name	Setting Range	Default
F6-56	DeviceNet Speed Scaling	-15 to 15	0
F6-57	DeviceNet Current Scaling	-15 to 15	0
F6-58	DeviceNet Torque Scaling	-15 to 15	0
F6-59	DeviceNet Power Scaling	-15 to 15	0
F6-60	DeviceNet Voltage Scaling	-15 to 15	0
F6-61	DeviceNet Time Scaling	-15 to 15	0



**Setting**

The monitor value in the AC/DC Drive Object 2AH is calculated by:  
 AC/DC Drive Object 2AH Monitor = Drive Value  $\times 2^{\text{Scaling}}$

Example:

If the drive output frequency monitor (U1-02) is 5.00 and the scaling is set to F6-56 = 6, then the value in the AC/DC Drive Object 2AH, Instance 1, Attribute 7 would be  $500 \times 2^6 = 32000$ .

**■ F6-62: DeviceNet Heartbeat Interval**

Sets the heartbeat interval for DeviceNet communications. A setting of 0 disables the heartbeat function.

No.	Parameter Name	Setting Range	Default
F6-62	DeviceNet Heartbeat Interval	0 to 10	0

**■ F6-63: DeviceNet Network MAC ID**

Displays the MAC ID assigned to the drive. F6-63 is used only as a monitor.

No.	Parameter Name	Setting Range	Default
F6-63	DeviceNet Network MAC ID	0 to 63 (read only)	63

**■ F6-64 to F6-71: Dynamic Assembly Parameters (Reserved)****■ F7-01 to F7-04: IP Address 1 to 4**

Sets the significant octet of network static IP address.

**■ F7-05 to F7-08: Subnet Mask 1 to 4**

Sets the significant octet of network static Subnet Mask.

**■ F7-09 to F7-12: Gateway Address 1 to 4**

Sets the significant octet of network Gateway address.

**◆ Modbus TCP/IP Parameters**

Parameters F7-01 through F7-16, U6-80 through U6-93, U6-98, and U6-99 set up the drive to operate on a Modbus TCP/IP network.

For details on parameter settings, refer to the YASKAWA AC Drive 1000-Series Option Modbus TCP/IP Installation Manual and Technical Manual.

**◆ PROFINET Parameters**

Parameters F7-01 through F7-15, F7-17 through F7-42, U6-80 through U6-93, U6-98, and U6-99 set up the drive to operate on a PROFINET network.

For details on parameter settings, refer to the YASKAWA AC Drive 1000-Series Option PROFINET Installation Manual and Technical Manual.

**◆ EtherNet/IP Parameters**

Parameters F7-01 through F7-15, F7-17 through F7-42, U6-80 through U6-93, U6-98, and U6-99 set up the drive to operate on an EtherNet/IP network.

For details on parameter settings, refer to the YASKAWA AC Drive 1000-Series Option EtherNet/IP Installation Manual and Technical Manual.

## 5.7 H: Terminal Functions

H parameters assign functions to the external terminals.

### ◆ H1: Multi-Function Digital Inputs

#### ■ H1-01 to H1-08: Functions for Terminals S1 to S8

These parameters assign functions to the multi-function digital inputs. The various functions and settings are listed in [Table 5.36](#).

No.	Parameter Name	Setting Range	Default
H1-01	Multi-Function Digital Input Terminal S1 Function Selection	1 to 9F	40 (F) <1> : Forward Run Command (2-Wire sequence)
H1-02	Multi-Function Digital Input Terminal S2 Function Selection	1 to 9F	41 (F) <1> : Reverse Run Command (2-Wire sequence)
H1-03	Multi-Function Digital Input Terminal S3 Function Selection	0 to 9F	24: External Fault (N.O., always detected, coast to stop)
H1-04	Multi-Function Digital Input Terminal S4 Function Selection	0 to 9F	14: Fault Reset
H1-05	Multi-Function Digital Input Terminal S5 Function Selection	0 to 9F	3 (0) <1> : Multi-Step Speed Reference 1
H1-06	Multi-Function Digital Input Terminal S6 Function Selection	0 to 9F	4 (3) <1> : Multi-Step Speed Reference 2
H1-07	Multi-Function Digital Input Terminal S7 Function Selection	0 to 9F	6 (4) <1> : Jog Reference Selection
H1-08	Multi-Function Digital Input Terminal S8 Function Selection	0 to 9F	8: External Baseblock Command

<1> Number appearing in parenthesis is the default value after performing a 3-Wire initialization (A1-03 = 3330).

**Table 5.36 Multi-Function Digital Input Terminal Settings**

Setting	Function	Page	Setting	Function	Page
0	3-Wire Sequence	247	20 to 2F	External Fault	252
1	LOCAL/REMOTE Selection	247	30	PID Integral Reset	253
2	External Reference 1/2 Selection	248	31	PID Integral Hold	253
3	Multi-Step Speed Reference 1	248	32	Multi-Step Speed Reference 4	253
4	Multi-Step Speed Reference 2		34	PID Soft Starter Cancel	253
5	Multi-Step Speed Reference 3		35	PID Input Level Selection	253
6	Jog reference Selection	248	40	Forward Run Command (2-Wire sequence)	253
7	Accel/Decel Time Selection 1	248	41	Reverse Run Command (2-Wire sequence)	
8	Baseblock Command (N.O.)	248	42	Run Command (2-Wire sequence 2)	254
9	Baseblock Command (N.C.)		43	FWD/REV Command (2-Wire sequence 2)	
A	Accel/Decel Ramp Hold	248	44	Offset Frequency 1	254
B	Drive Overheat Alarm (oH2)	249	45	Offset Frequency 2	
C	Analog Terminal Input Selection	249	46	Offset Frequency 3	
D	PG Encoder Disable	249	47	Node Setup	254
E	ASR integral reset	249	60	DC Injection Braking Command	254
F	Through Mode	249	61	External Speed Search Command 1	254
10	Up Command	249	62	External Speed Search Command 2	254
11	Down Command		63	Field Weakening	254
12	Forward Jog	250	67	Communications Test Mode	254
13	Reverse Jog		6A	Drive Enabled	255
14	Fault Reset	250	71	Speed/Torque Control Switch	255
15	Fast Stop (N.O.)	250	72	Zero Servo	255
16	Motor 2 Selection	251	75	Up 2 Command	255
17	Fast Stop (N.C.)	250	76	Down 2 Command	
18	Timer Function Input	251	77	ASR Gain Switch	256
19	PID Disable	252	78	External Torque Reference Polarity Inversion	256
1A	Accel/Decel Time Selection 2	252	7E	Forward/Reverse Detection (V/f control with simple PG)	256
1B	Program Lockout	252	7F	PID Bi-directional Enable (Reserved)	256
1E	Reference Sample Hold	252			

Setting	Function	Page
90 to 97	DriveWorksEZ Digital Input 1 to 8	256

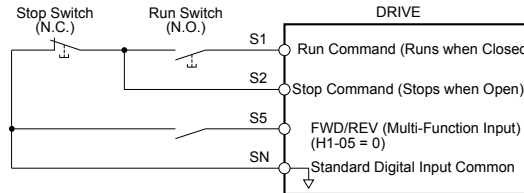
Setting	Function	Page
9F	DriveWorksEZ Disabled	256

**Setting 0: 3-Wire Sequence**

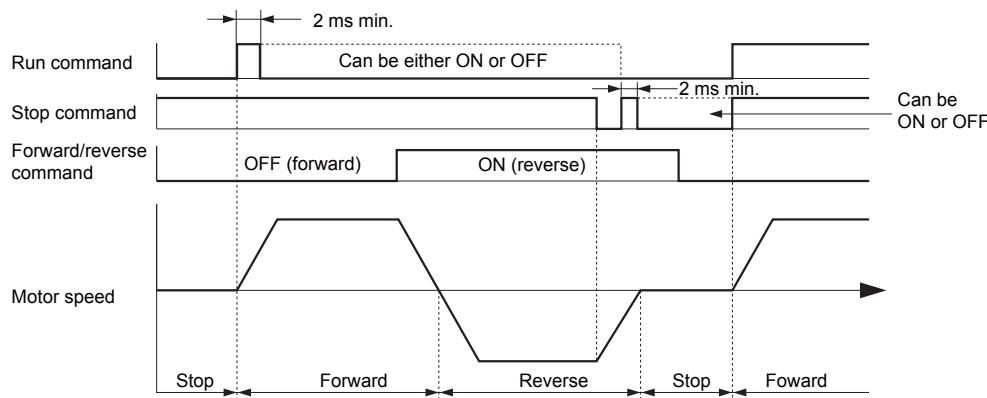
The digital input programmed for 3-Wire control becomes the forward/reverse directional input, S1 becomes the Run command input, and S2 becomes the Stop command input.

The drive starts the motor when the input S1 set for the Run command closes for longer than 2 ms. The drive stops the operation when the Stop input S2 is released. When the digital input programmed for a forward/reverse operation is open, the drive is set for forward operation. When the digital input is closed, the drive is set for reverse operation.

**Note:** Input the Run and Stop commands via S1 and S2 when selecting a 3-Wire sequence.



**Figure 5.56 3-Wire Sequence Wiring Diagram**



**Figure 5.57 3-Wire Sequence**

- Note:**
1. The Run command must be closed for more than 2 ms.
  2. If the Run command is active at power up and b1-17 = 0 (Run command at power up not accepted), the Run LED will flash to indicate that protective functions are operating. If required by the application, set b1-17 to 1 to automatically issue the Run command upon drive power up.

**WARNING! Sudden Movement Hazard.** Ensure start/stop and safety circuits are wired properly and in the correct state before applying power to the drive. Failure to comply could result in death or serious injury from moving equipment.

**WARNING! Sudden Movement Hazard.** The drive may start unexpectedly in reverse direction after power up if it is wired for 3-Wire sequence but set up for 2-Wire sequence (default). Make sure b1-17 is set to "0" (drive does not accept a Run command active at power up). When initializing the drive use 3-Wire initialization. Failure to comply could result in death or serious injury from moving equipment.

**Setting 1: LOCAL/REMOTE Selection**

This setting allows the input terminal to determine if the drive will run in LOCAL mode or REMOTE mode.

Status	Description
Closed	LOCAL: Frequency reference and Run command are input from the digital operator.
Open	REMOTE: Frequency reference and Run command are input from an external reference that has been selected in accordance with settings b1-01 and b1-02 to b1-15 and b1-16.

- Note:**
1. The LO/RE key on the digital operator is disabled when one of the multi-function input terminals is set to for LOCAL/REMOTE.
  2. When the drive is set to LOCAL, the LO/RE LED will light.
  3. The default setting of the drive does not allow switching between LOCAL and REMOTE during run. To allow the drive to switch between LOCAL and REMOTE during run, [Refer to b1-07: LOCAL/REMOTE Run Selection on page 165.](#)

## 5.7 H: Terminal Functions

### Setting 2: External Reference 1/2 Selection

This function switches the Run command and frequency reference source between External reference 1 and 2 if the drive is in the REMOTE mode.

Status	Description
Open	External reference 1 is used (defined by parameters b1-01 and b1-02)
Closed	External reference 2 is used (defined by parameters b1-15 and b1-16)

**Note:** Default drive settings do not allow switching between External reference 1 and 2 during run. *Refer to b1-07: LOCAL/REMOTE Run Selection on page 165* if this feature is required by the application.

### Setting 3 to 5: Multi-Step Speed Reference 1 to 3

Switches multi-step speed frequency references d1-01 to d1-08 by digital inputs. *Refer to d1: Frequency Reference on page 205* for details.

### Setting 6: Jog Reference Selection

The Jog frequency set in parameter d1-17 becomes the frequency reference when the input terminal closes. *Refer to d1: Frequency Reference on page 205* for details.

### Setting 7: Accel/Decel Time Selection 1

Switches between accel/decel times 1 (C1-01 and C1-02) and 2 (C1-03 and C1-04). *Refer to C1-01 to C1-08: Accel, Decel Times 1 to 4 on page 191* for details.

### Setting 8, 9: Baseblock Command (N.O., N.C.)

When the drive receives a baseblock command, the output transistors stop switching, the motor coasts to stop, and a bb alarm flashes on the digital operator to indicate baseblock. When baseblock ends while a Run command is active, the drive performs Speed Search to restart the motor.

Digital Input Function	Drive Operation	
	Input Open	Input Closed
Setting 8 (N.O.)	Normal operation	Baseblock (Interrupt output)
Setting 9 (N.C.)	Baseblock (Interrupt output)	Normal operation

**WARNING! Sudden Movement Hazard.** When using a mechanical holding brake with the drive in a lifting application, close the brake when the drive output is cut off by a baseblock command triggered by one of the input terminals. Failure to comply will result in a slipping load from the motor suddenly coasting when the baseblock command is entered and may cause serious injury or death.

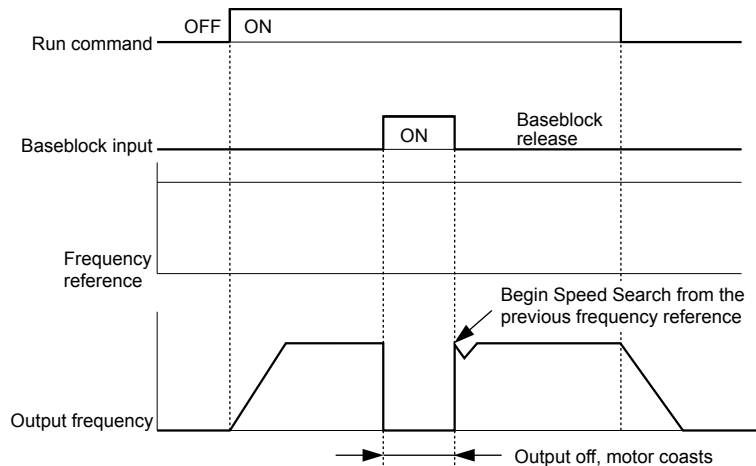


Figure 5.58 Baseblock Operation During Run

### Setting A: Accel/Decel Ramp Hold

When the digital input programmed for the Accel/decel ramp hold function closes, the drive locks (holds) the output frequency. Acceleration or deceleration resumes when the input is reopened.

If the Accel/decel ramp hold function is enabled (d4-01 = 1), the drive saves the output frequency to memory when the Ramp Hold input is closed. When the drive is restarted after stop or after power supply interruption, the saved output frequency becomes the frequency reference (provided that the Accel/decel ramp hold input is still closed). *Refer to d4-01: Frequency Reference Hold Function Selection on page 209* for details.

**Setting B: Drive Overheat Alarm (oH2)**

Triggers an oH2 alarm when the contact closes. Drive operation is not affected because this is an alarm.

**Setting C: Analog Terminal Input Selection (Terminal A1, A2, A3)**

When closed, the terminals specified in H3-14 are enabled. When open, the drive disregards the input signal to the analog terminals.

**Setting D: PG Encoder Disable**

When closed, the drive disregards PG feedback from the motor when using V/f Control with PG. When the terminal is reopened, the drive resumes using PG feedback to control motor speed.

**Setting E: ASR Integral Reset**

Switches between PI control and P control by resetting the integral value. Integral operation is disabled when the terminal is closed and the drive uses P control. PI control resumes when the terminal opens.

**Setting F: Through Mode**

Select this setting when the terminal is not used or when using the terminal in pass-through mode.

When set to F, an input does not trigger any function in the drive. Setting F, however, still allows the input status to be read out by a PLC via a communication option or MEMOBUS/Modbus communications.

**Setting 10, 11: Up/Down Function**

The Up/Down function allows the frequency reference to be set by two push buttons when one digital input is programmed as the Up input (H1-□□ = 10) to increase the frequency reference and the other digital input is programmed as the Down input (H1-□□ = 11) to decrease the frequency reference.

The Up/Down function takes priority over the frequency references from the digital operator, the analog inputs, and the pulse input (b1-01 = 0, 1, 4). When using the Up/Down function, references provided by these sources will be disregarded.

The inputs operate as shown in [Table 5.37](#):

**Table 5.37 Up, Down Command**

Status		Drive Operation
Up (10)	Down (11)	
Open	Open	Hold current frequency reference
Closed	Open	Increase frequency reference
Open	Closed	Decrease frequency reference
Closed	Closed	Hold current frequency reference

- Note:**
1. An oPE03 alarm occurs when only one of the Up/Down functions is programmed to a digital input.
  2. An oPE03 alarm occurs when the Up/Down function is assigned to the terminals and a different digital input is programmed for the Accel/decel ramp hold function. For more information on alarms, [Refer to Drive Alarms, Faults, and Errors on page 330](#).
  3. The Up/Down function can only be used for External reference 1 for parameter b1-01. Consider this when using Up/Down and the external reference parameter b1-15 switching command (H1-□□ = 2).

**Using the Up/Down Function with Frequency Reference Hold (d4-01)**

- If the frequency reference hold function is disabled (d4-01 = 0), the Up/Down frequency reference will be reset to 0 when the Run command is cleared or the power is cycled.
- When d4-01 = 1, the drive will save the frequency reference set by the Up/Down function. When the Run command or the power is cycled, the drive will restart with the saved reference value. Close the Up or Down input without an active Run command to reset the saved value. [Refer to d4-01: Frequency Reference Hold Function Selection on page 209](#).

**Using the Up/Down Function with Frequency Reference Limits**

Parameter d2-01 determines the upper frequency reference limit.

The value for the lower frequency reference limit depends on the parameter d4-10 setting. This value can be set by an analog input or parameter d2-02. [Refer to d4-10: Up/Down Frequency Reference Limit Selection on page 213](#) for details. When a Run command is applied, the lower limits function as follows:

- If the lower limit is set by d2-02 only, the drive accelerates to this limit as soon as a Run command is entered.
- If the lower limit is determined by an analog input only, the drive accelerates to the limit when both the Run command and an Up or Down command are active. The drive will not start running if only the Run command is active.
- If the lower limit is set by both an analog input and d2-02, and the analog limit is higher than the d2-02 value, the drive accelerates to the d2-02 value when a Run command is input. When the d2-02 value is reached, the drive accelerates to the analog limit only if an Up or Down command is set.

## 5.7 H: Terminal Functions

Figure 5.59 shows an Up/Down function example with a lower frequency reference limit set by d2-02, and the frequency reference hold function both enabled (d4-01 = 1) and disabled (d4-01 = 0).

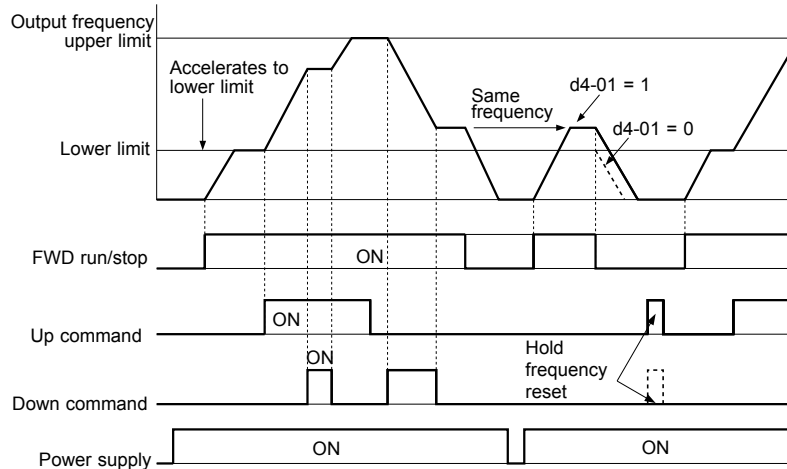


Figure 5.59 Up/Down Command Operation

### Setting 12, 13: Forward Jog, Reverse Jog

Digital inputs programmed as Forward Jog (H1-□□ = 12) and Reverse Jog (H1-□□ = 13) will be Jog inputs that do not require a Run command. Closing the terminal set for Forward Jog input will cause the drive to ramp to the Jog frequency reference (d1-17) in the forward direction. The Reverse Jog will cause the same action in the reverse direction. The Forward Jog and Reverse Jog command can be set independently.

**Note:** The Forward Jog and Reverse Jog commands override all other frequency references. However, if the drive is set to prohibit reverse rotation (b1-04 = 1), activating Reverse Jog will have no effect. Inputting both the Forward Jog and Reverse Jog are simultaneously for 500 ms or longer will trigger an alarm and the drive will ramp to stop.

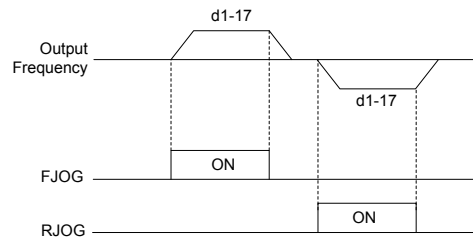


Figure 5.60 FJOG/RJOG Operation

### Setting 14: Fault Reset

When the drive detects a fault condition, the fault output contact closes, the drive output shuts off, and the motor coasts to stop (specific stopping methods can be selected for some faults such as L1-04 for motor overheating). After removing the Run command, clear the fault either by pressing the RESET key on the digital operator or closing a digital input configured as a Fault Reset (H1-□□ = 14).

**Note:** Remove the Run command prior to resetting a fault. Fault Reset commands are ignored while the Run command is present.

### Setting 15, 17: Fast Stop (N.O., N.C.)

The Fast Stop function operates similar to an emergency stop input to the drive. If a Fast Stop command is input while the drive is running, the drive decelerates to a stop in the deceleration time set to C1-09 ([Refer to C1-09: Fast Stop Time on page 192](#)). The drive can only be restarted after bringing the drive to a complete stop, turning off the Fast Stop input, and switching off the Run command.

- To trigger the Fast Stop function with an N.O. switch, set H1-□□ = 15.
- To trigger the Fast Stop function with an N.C. switch, set H1-□□ = 17.

Figure 5.61 shows an operation example of Fast Stop.



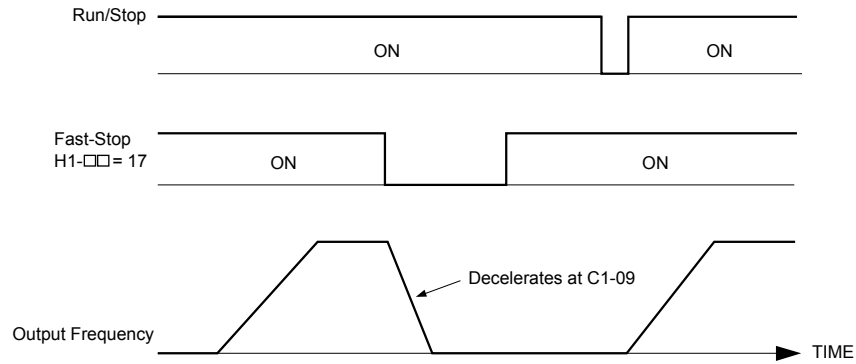


Figure 5.61 Fast Stop Sequence

**NOTICE:** Rapid deceleration can trigger an overvoltage fault. When faulted, the drive output shuts off, and the motor coasts. To avoid this uncontrolled motor state and to ensure that the motor stops quickly and safely, set an appropriate Fast Stop time to C1-09.

**Setting 16: Motor 2 Selection**

The drive has the capability to control two induction motors independently. A second motor may be selected using a multi-function digital input as shown in [Figure 5.62](#).

**Note:** The motor 2 selection function cannot be used with PM motors.

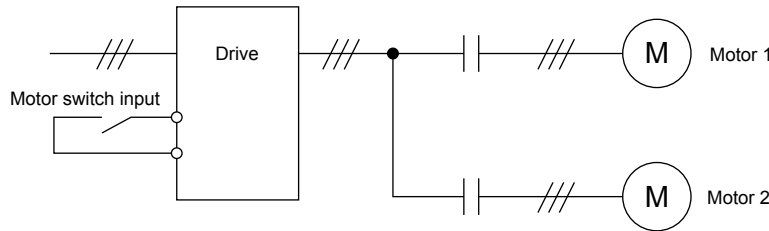


Figure 5.62 Motor Selection

When switching between motor 1 and motor 2, the parameters used to control those motors also change. Below, [Table 5.38](#) lists the parameters that correspond to each motor:

Table 5.38 Parameters for Switching Between Two Motors

No.	Setting 16 Open (Motor 1)	⇒	Setting 16 Closed (Motor 2)
C1-□□: Acceleration/Deceleration Time	C1-01 to C1-04	⇒	C1-05 to C1-08
C3-□□: Motor Slip Compensation	C3-01 to C3-04	⇒	C3-21 to C3-24
C4-□□: Motor Torque Compensation	C4-01	⇒	C4-07
C5-□□: Speed Control (ASR)	C5-01 to C5-08, C5-12, C5-17, C5-18	⇒	C5-21 to C5-28, C5-32, C5-37, C5-38
E1-□□, E3-□□: V/f Pattern E2-□□, E4-□□: Motor Parameters	E1-□□, E2-□□	⇒	E3-□□ to E4-□□
F1-□□ (PG Constant)	F1-01 to F1-21	⇒	F1-02 to F1-04, F1-08 to F1-11, F1-14, F1-31 to F1-37

- Note:**
1. When using 2 motors, the motor overload protection selection (oL1) set to L1-01 applies to both motor 1 and motor 2.
  2. Attempting to switch between motor 1 and motor 2 during run will trigger the rUn alarm.
  3. There is a 500 ms delay when switching between motors equipped with a PG encoder for feedback.
  4. The motor 2 selection function cannot be used with PM motors.

If a digital output is programmed for “Motor 2 selection” (H2-01, H2-02, or H2-03 = 1C), the output is closed when motor 2 is selected.

**Setting 18: Timer Function Input**

This setting configures a digital input terminal as the input for the timer function. Use this setting combination with the timer function output (H2-□□ = 12). [Refer to b4: Timer Function on page 176](#) for details.

## 5.7 H: Terminal Functions

### Setting 19: PID Disable

Close a digital input to indefinitely disable the PID function. When the input is released, the drive resumes PID operation. [Refer to PID Block Diagram on page 179.](#)

### Setting 1A: Accel/Decel Time Selection 2

Selects accel/decel times 1 to 4 in combination with the Accel/decel time selection 1 command. [Refer to C1-01 to C1-08: Accel, Decel Times 1 to 4 on page 191](#) for details.

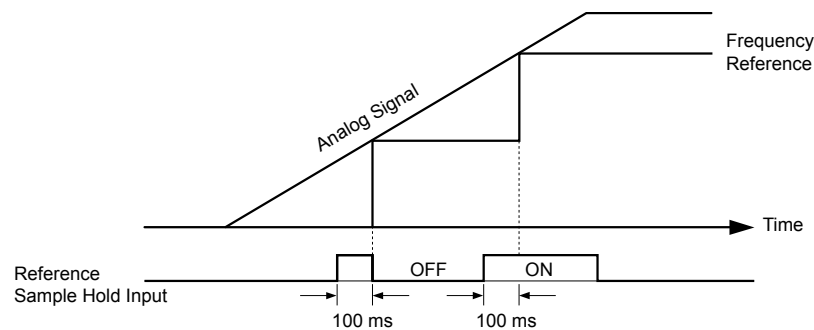
### Setting 1B: Program Lockout

Parameter values cannot be changed when an input is programmed for Program Lockout and the input is open. It is still possible, however, to view and monitor parameter settings.

### Setting 1E: Reference Sample Hold

This function allows the user to sample an analog frequency reference signal being input to terminal A1, A2, or A3 and hold the frequency reference at the sampled level. When the Analog Frequency Reference Sample/Hold function is held for at least 100 ms, the drive reads the analog input and changes the frequency reference to the newly sampled speed as illustrated in [Figure 5.63.](#)

When the power is shut off and the sampled analog frequency reference is cleared, the frequency reference is reset to 0.



**Figure 5.63 Analog Frequency Reference Sample/Hold**

An oPE03 error will occur when one of the following functions is used simultaneously with the Analog frequency reference sample/hold command:

- Hold accel/decel stop (setting: A)
- Up command, Down command (setting: 10, 11)
- Offset frequency (setting: 44 to 46)
- Up or Down functions (setting: 75, 76)

### Setting 20 to 2F: External Fault

The External fault command stops the drive when problems occur with external devices.

To use the External fault command, set one of the multi-function digital inputs to a value between 20 and 2F. The digital operator will display EF□ where □ is the number of the terminal to which the external fault signal is assigned.

For example, if an external fault signal is input to terminal S3, “EF3” will be displayed.

Select the value to be set in H1-□□ from a combination of any of the following three conditions:

- Signal input level from peripheral devices (N.O., N.C.)
- External fault detection method
- Operation after external fault detection

[Table 5.39](#) shows the relationship between the conditions and the value set to H1-□□:

Terminal statuses, detection conditions, and stopping methods marked with an “O” are applicable to the corresponding settings.



Table 5.39 Stopping Method for External Fault

Setting	Terminal Status <1>		Detection Conditions <2>		Stopping Method			
	N.O.	N.C.	Always Detected	Detected during Run only	Ramp to Stop (fault)	Coast to Stop (fault)	Fast Stop (fault)	Alarm Only (continue running)
20	O		O		O			
21		O	O		O			
22	O			O	O			
23		O		O	O			
24	O		O			O		
25		O	O			O		
26	O			O		O		
27		O		O		O		
28	O		O				O	
29		O	O				O	
2A	O			O			O	
2B		O		O			O	
2C	O		O					O
2D		O	O					O
2E	O			O				O
2F		O		O				O

<1> Determine the terminal status for each fault, i.e., whether the terminal is normally open or normally closed.

<2> Determine whether detection for each fault should be enabled only during run or always detected.

### Setting 30: PID Integral Reset

Configuring one of the digital inputs for PID integral reset (H1-□□ = 30) resets the value of the integral component in PID control to 0 when the terminal is closed. *Refer to PID Block Diagram on page 179* for more details.

### Setting 31: PID Integral Hold

Configuring a digital input for Integral Hold (H1-0□ = 31) locks the value of the integral component of the PID control as long as the input is active. The PID controller resumes integral operation from the hold value as soon as the integral hold input is released. *Refer to PID Block Diagram on page 179* for more information on this function.

### Setting 32: Multi-Step Speed Reference 4

Selects the multi-step speeds d1-09 to d1-16 in combination with the input terminal set for Multi-Step Speed 1, 2 and 3. *Refer to d1-01 to d1-17: Frequency Reference 1 to 16 and Jog Frequency Reference on page 205.*

### Setting 34: PID Soft Starter Cancel

A digital input configured as a PID soft starter cancel input (H1-0□ = 34) enables or disables the PID soft starter and cancels the PID accel/decel time (b5-17). *Refer to PID Block Diagram on page 179.*

### Setting 35: PID Input Level Selection

Allows an input terminal to switch the sign of the PID input. *Refer to PID Block Diagram on page 179* for details.

### Setting 40, 41: Forward Run, Reverse Run Command for 2-Wire Sequence

Configures the drive for a 2-Wire sequence.

When an input terminal set to 40 closes, the drive operates in the forward direction. When an input set for 41 closes, the drive operates in reverse. Closing both inputs simultaneously will result in an external fault.

- Note:**
1. This function cannot be used simultaneously with settings 42 and 43.
  2. The same functions are assigned to terminals S1 and S2 when the drive is initialized for 2-Wire sequence.

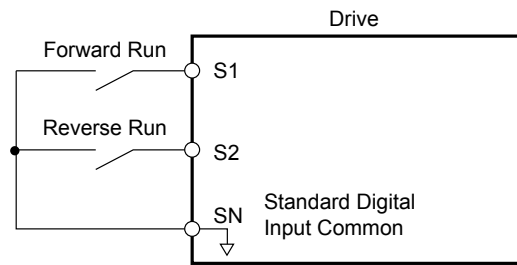


Figure 5.64 Example Wiring Diagram for 2-Wire Sequence

### Setting 42, 43: Run and Direction Command for 2-Wire Sequence 2

Sets the drive for 2-Wire sequence 2.

When an input terminal programmed for 42 closes, the drive will operate in the selected direction. The drive will stop when the input opens.

The input programmed for 43 selects the direction. If the input is open, forward direction is selected. If the input is closed, reverse direction is selected.

**Note:** This function cannot be used simultaneously with settings 40 and 41.

### Setting 44, 45, 46: Offset Frequency 1, 2, 3

These inputs add offset frequencies d7-01, d7-02, and d7-03 to the frequency reference. [Refer to d7-01 to d7-03: Offset Frequency 1 to 3 on page 219](#) for details.

### Setting 47: Node Setup

If the SI-S3 option card is connected, closing this terminal sets a node address for operation on a CANopen network.

### Setting 60: DC Injection Braking Command

DC Injection Braking is activated when a DC Injection Braking command is input while the drive is stopped. DC Injection Braking is released when a Run command or a Jog command is input. [Refer to b2: DC Injection Braking on page 167](#) for details on setting up the DC Injection Braking function.

The diagram below illustrates DC Injection Braking:

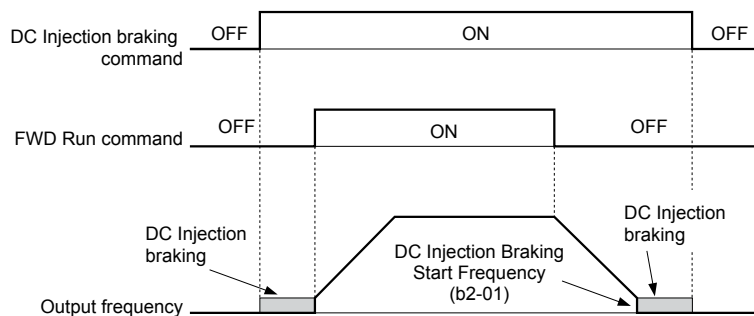


Figure 5.65 DC Injection Braking Input Timing Diagram

### Setting 61, 62: External Speed Search Command 1, 2

These input functions enable Speed Search even if parameter b3-01 = 0 (no Speed Search at start). [Refer to Speed Search Activation on page 170](#) for details on how to use the input signals. [Refer to b3: Speed Search on page 168](#) for more about Speed Search.

**Note:** Simultaneously assigning Speed Search 1 and Speed Search 2 to the input terminals will trigger an oPE03 error.

### Setting 63: Field Weakening

Enabled in V/f Control. When this input is closed, Field Weakening is performed. For details, see [d6: Field Weakening and Field Forcing](#).

### Setting 67: Communication Test Mode

The drive has a built-in function to self-diagnose serial communications operation. The test involves wiring the send and receive terminals of the RS-485/422 port together. The drive transmits data and then confirms that the communications are received normally. [Refer to Self-Diagnostics on page 592](#) for details on how to use this function.

**Setting 6A: Drive Enable**

A digital input configured as a “Drive enable” (H1-□□ = 6A) will prevent the drive from executing a Run command until the input is closed. When the input is open, the digital operator will display “dnE” to indicate that the drive is disabled.

If a Run command is enabled before the terminal set for “Drive enable” closes, then the drive will not run until the Run command is cycled (i.e., a new Run command is required). If the input is opened while the drive is running, the drive will stop according to the stop method set to b1-03 (*Refer to b1-03: Stopping Method Selection on page 160*).

**Setting 71: Speed/Torque Control Switch**

Switches the drive between Torque Control and Speed Control. Torque Control is enabled when the terminal is closed, and Speed Control is enabled when the terminal is open. Set parameter d5-01 to 0 when using this function. *Refer to d5: Torque Control on page 214* and *Switching Between Torque and Speed Control on page 216*.

**Setting 72: Zero Servo**

Activates the Zero Servo function to lock the rotor at a certain position. *Refer to b9: Zero Servo on page 190* for details.

**Setting 75, 76: Up 2/Down 2 Function**

The Up/Down 2 function adds a bias to the frequency reference. The input programmed for 75 will increase the bias and the input programmed for 76 will decrease the bias. *Table 5.40* explains how the Up/Down 2 function works depending on the frequency reference source and parameters d4-01, d4-03, and d4-05. *Refer to d4: Frequency Reference Hold and Up/Down 2 Function on page 209* for detailed explanations of these and other Up/Down 2 related parameters.

- Note:**
1. The Up/Down 2 functions must be set as a pair.
  2. When using the Up/Down 2 function, set appropriate bias limit values to parameters d4-08 and d4-09.

**Table 5.40 Up/Down 2 Operations**

Condition	Freq. Ref. Source	d4-03	d4-05	d4-01	Operation	Frequency Saved
1	Multi-Step Speed Reference	0	0	0	<ul style="list-style-type: none"> <li>Accelerates (increases the bias) while the Up 2 terminal is closed.</li> </ul>	Not saved
2				1	<ul style="list-style-type: none"> <li>Decelerates (decreases the bias) while Down 2 is closed.</li> <li>Holds output frequency (holds the bias) when no Up 2 or Down 2 input or both active.</li> <li>Resets the bias when the reference changes.</li> <li>Operates with the frequency reference in all other situations.</li> </ul>	If the bias and frequency reference are constant for 5 s, the bias is added to the active frequency reference and reset afterwards.
3				--	<ul style="list-style-type: none"> <li>Accelerates (increases the bias) while the Up 2 terminal is closed.</li> <li>Decelerates (decreases the bias) while Down 2 is closed.</li> <li>Otherwise operates at the frequency reference.</li> </ul>	Not saved
4	Multi-Step Speed Reference	Value other than 0	--	0	<ul style="list-style-type: none"> <li>When the Up 2 is enabled, the drive accelerates to the frequency reference plus d4-03 (bias is increased for d4-03).</li> <li>When Down 2 is enabled, the drive decelerates to the frequency reference minus d4-03 (bias is decreased for d4-03).</li> </ul>	Not saved
5				1	<ul style="list-style-type: none"> <li>Holds output frequency (holds the bias) when neither Up/Down 2 inputs are active or both inputs are active.</li> <li>Resets the bias when the reference changes.</li> <li>Operates with the frequency reference in all other situations.</li> </ul>	If the bias and frequency reference are constant for 5 s, the bias is added to the active frequency reference and reset afterwards.
6	Other (analog comm., etc.)	0	0	0	<ul style="list-style-type: none"> <li>Accelerates (increases the bias) while the Up 2 terminal is closed.</li> <li>Decelerates (decreases the bias) while Down 2 is closed.</li> </ul>	Not saved
7				1	<ul style="list-style-type: none"> <li>Holds output frequency (holds the bias) when neither Up/Down 2 inputs are active or both inputs are active.</li> <li>If the frequency reference changes for more than the time set to d4-07 during accel/dec, bias value is held until the output frequency meets the reference (speed agree).</li> </ul>	If the bias is constant for 5 s, it is saved to parameter d4-06. The frequency reference cannot be overwritten, so only the bias is saved.

## 5.7 H: Terminal Functions

Condition	Freq. Ref. Source	d4-03	d4-05	d4-01	Operation	Frequency Saved
8	Other (analog comm, etc.)	0	1	--	<ul style="list-style-type: none"> <li>Accelerates (increases the bias) while the Up 2 terminal is closed.</li> <li>Decelerates (decreases the bias) while Down 2 is closed.</li> <li>Otherwise operates at the frequency reference</li> </ul>	Not saved
9		Value other than 0	--	0	<ul style="list-style-type: none"> <li>When Up 2 is enabled, drive accelerates to the frequency reference plus d4-03 (increases the bias for d4-03).</li> </ul>	Not saved
10				1	<ul style="list-style-type: none"> <li>When Down 2 is enabled, drive decelerates to the frequency reference minus d4-03 (decreases the bias for d4-03).</li> <li>If the frequency reference changes for more than d4-07 during accel/decel, bias value is held until the output frequency meets the reference (speed agree).</li> </ul>	If the bias is constant for 5 s, it is saved to parameter d4-06. The frequency reference cannot be overwritten, so only the bias is saved.

### Setting 77: ASR Gain Switch

Switches the ASR gain between the values set to C5-01 and C5-03. The gain set to C5-03 is enabled when the terminal is closed, and C5-01 is enabled when the terminal reopens. [Refer to C5-01, C5-03/C5-02, C5-04: ASR Proportional Gain 1, 2/ ASR Integral Time 1, 2 on page 199](#) for a more detailed description.

### Setting 78: External Torque Reference Polarity Inversion

Reverses the direction of the torque reference when the terminal closes. [Refer to d5: Torque Control on page 214](#) and [Setting the Torque Reference, Speed Limit, and Torque Compensation Values on page 214](#) for details.

### Setting 7E: Forward/Reverse Detection (for V/f Control with Simple PG Feedback)

Determines the motor rotation direction for V/f Control with Simple PG feedback (A1-02 = 0 and H6-01 = 3). If the input is open, the speed feedback signal is considered to be forward. If the input is closed, it is considered to be reverse. [Refer to H6: Pulse Train Input/Output on page 274](#).

### Setting 7F: PID Bi-directional Enable

Setting 7F is reserved.

### Setting 90 to 97: DriveWorksEZ Digital Input 1 to 8

These settings are for digital input functions used in DriveWorksEZ. Changing these settings is not typically required.

### Setting 9F: DriveWorksEZ Disable

This function is used to enable or disable a DriveWorksEZ program in the drive. An input programmed for this function is effective only if A1-07 = 2.

Status	Description
Open	DriveWorksEZ enabled
Closed	DriveWorksEZ disabled

## ◆ H2: Multi-Function Digital Outputs

### ■ H2-01 to H2-03: Terminal M1-M2, M3-M4, and M5-M6 Function Selection

The drive has three multi-function output terminals. [Table 5.41](#) lists the functions available for these terminals using H2-01, H2-02, and H2-03.

No.	Parameter Name	Setting Range	Default
H2-01	Terminal M1-M2 Function Selection (relay)	0 to 192	0: During run
H2-02	Terminal M3-M4 Function Selection (relay)	0 to 192	1: Zero Speed
H2-03	Terminal M5-M6 Function Selection (relay)	0 to 192	2: Speed agree 1

Table 5.41 Multi-Function Digital Output Terminal Settings

Setting	Function	Page	Setting	Function	Page
0	During Run	<a href="#">257</a>	4	Frequency Detection 1	<a href="#">259</a>
1	Zero Speed	<a href="#">257</a>	5	Frequency Detection 2	<a href="#">259</a>
2	Speed Agree 1	<a href="#">258</a>	6	Drive Ready	<a href="#">260</a>
3	User-Set Speed Agree 1	<a href="#">258</a>	7	During Power Supply Voltage Fault	<a href="#">260</a>

Setting	Function	Page
8	During Baseblock (N.O.)	260
9	Frequency Reference Source	260
A	Run Command Source	260
B	Torque Detection 1 (N.O.)	261
C	Frequency Reference Loss	261
E	Fault	261
F	Through Mode	261
10	Minor Fault	261
11	Fault Reset Command Active	261
12	Timer Output	261
13	Speed Agree 2	261
14	User-Set Speed Agree 2	262
15	Frequency Detection 3	262
16	Frequency Detection 4	263
17	Torque Detection 1 (N.C.)	261
18	Torque Detection 2 (N.O.)	
19	Torque Detection 2 (N.C.)	261
1A	During Reverse	263
1B	During Baseblock (N.C.)	264
1C	Motor 2 Selection	264
1D	During regeneration	264
1E	Restart Enabled	264
1F	Motor Overload Alarm (oL1)	264
20	Drive Overheat Pre-Alarm (oH)	264
22	Mechanical Weakening Detection	264
2F	Maintenance Period	264

Setting	Function	Page
30	During Torque Limit	264
31	During Speed Limit	265
32	During Speed Limit in Torque Control	265
33	Zero Servo Complete	265
37	During Frequency Output	265
38	Drive Enabled	265
39	Power Consumption Pulse Output	265
3A	Regenerated Power Pulse Output	265
3C	LOCAL/REMOTE Status	265
3D	During Speed Search	266
3E	PID Feedback Low	266
3F	PID Feedback High	266
4C	During Fast Stop	266
4D	oH Pre-Alarm Time Limit	266
60	Internal Cooling Fan Alarm	266
61	Rotor Position Detection Completed	266
62	MEMOBUS Register 1 (Selected with H2-07 and H2-08)	266
63	MEMOBUS Register 2 (Selected with H2-09 and H2-10)	266
64	During Commercial Power Operation	266
90	DriveWorksEZ Digital Output 1	266
91	DriveWorksEZ Digital Output 2	
92	DriveWorksEZ Digital Output 3	
100 to 192	Functions 0 to 92 with Inverse Output	266

**Setting 0: During Run**

Output closes when the drive is outputting a voltage.

Status	Description
Open	Drive is stopped.
Closed	A Run command is input or the drive is in deceleration or DC injection.

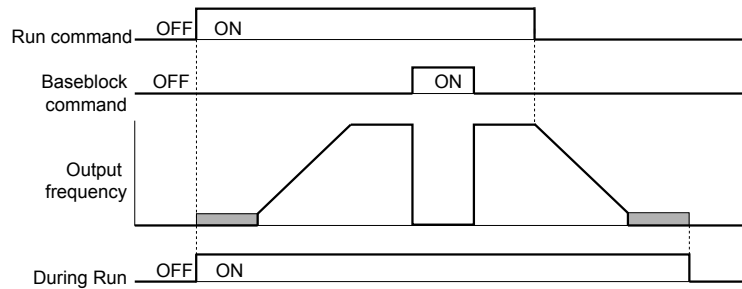


Figure 5.66 During Run Time Chart

**Setting 1: Zero Speed**

Terminal closes when the output frequency or motor speed (CLV, CLV/PM) becomes less than or equal to the minimum output frequency set to E1-09 or b2-01.

## 5.7 H: Terminal Functions

Status	Description
Open	Output frequency is more than or equal to the minimum output frequency set to E1-09 or b2-01
Closed	Output frequency becomes less than the minimum output frequency set to E1-09 or b2-01

**Note:** When using CLV or CLV/PM control modes, the output terminal closes when the motor speed becomes less than or equal to the zero speed level set for b2-01. In all other control modes, the output terminal closes when the output frequency becomes less than or equal to the minimum output frequency set for E1-09.

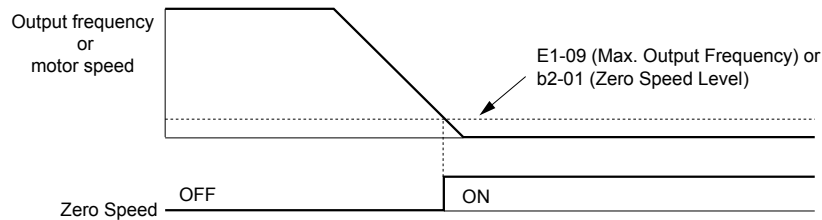


Figure 5.67 Zero-Speed Time Chart

### Setting 2: Speed Agree 1 ( $f_{ref}/f_{out}$ Agree 1)

Closes when the actual output frequency or motor speed (CLV, CLV/PM) is within the Speed Agree Width (L4-02) of the current frequency reference regardless of the direction.

Status	Description
Open	Output frequency or motor speed does not match the frequency reference while the drive is running.
Closed	Output frequency or motor speed is within the range of frequency reference $\pm L4-02$ .

**Note:** Detection works in forward and reverse.

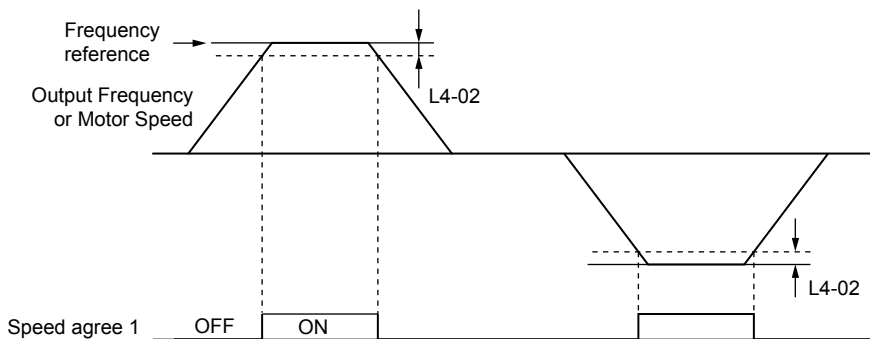


Figure 5.68 Speed Agree 1 Time Chart

*Refer to L4-01, L4-02: Speed Agree Detection Level and Detection Width on page 289 for more details.*

### Setting 3: User-Set Speed Agree 1 ( $f_{ref}/f_{set}$ Agree 1)

Closes when the actual output frequency or motor speed (CLV, CLV/PM) and the frequency reference are within the speed agree width (L4-02) of the programmed speed agree level (L4-01).

Status	Description
Open	Output frequency or motor speed and frequency reference are not both within the range of L4-01 $\pm L4-02$ .
Closed	Output frequency or motor speed and the frequency reference are both within the range of L4-01 $\pm L4-02$ .

**Note:** Frequency detection works in forward and reverse. The value of L4-01 is used as the detection level for both directions.

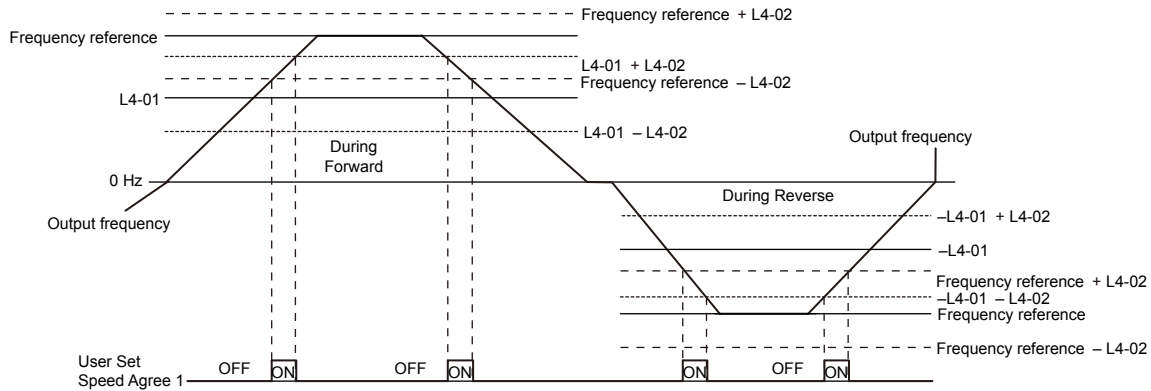


Figure 5.69 User Set Speed Agree 1 Time Chart

Refer to L4-01, L4-02: Speed Agree Detection Level and Detection Width on page 289 for more instructions.

**Setting 4: Frequency Detection 1**

The output opens when the output frequency or motor speed (CLV, CLV/PM) rises above the detection level set in L4-01 plus the detection width set in L4-02. The terminal remains open until the output frequency or motor speed fall below the level set in L4-01.

Status	Description
Open	Output frequency or motor speed exceeded L4-01 + L4-02.
Closed	Output frequency or motor speed is below L4-01 or has not exceeded L4-01 + L4-02.

**Note:** Frequency detection works in forward and reverse. The value of L4-01 is used as the detection level for both directions.

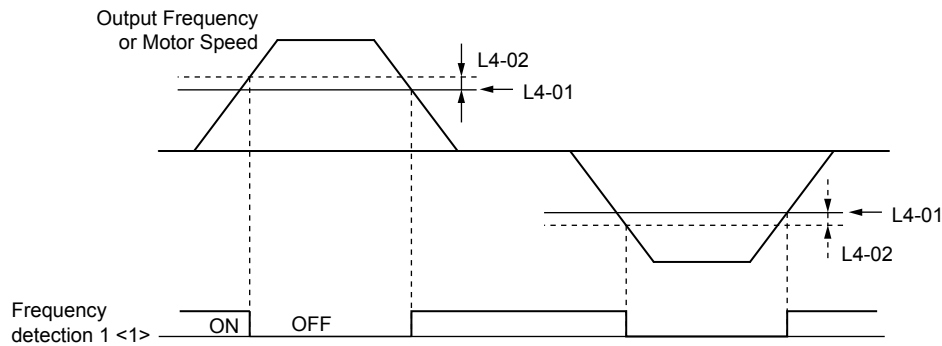


Figure 5.70 Frequency Detection 1 Time Chart

<1> This is the time chart when L4-07 (Speed Agree Detection Selection) is set to 1 (detection always enabled). The default setting for L4-07 is 0 (no detection during baseblock). When L4-07 is set to 0, the terminal opens during baseblock.

Refer to L4-01, L4-02: Speed Agree Detection Level and Detection Width on page 289 for more details.

**Setting 5: Frequency Detection 2**

The output closes when the output frequency or motor speed (CLV, CLV/PM) is above the detection level set in L4-01. The terminal remains closed until the output frequency or motor speed fall below L4-01 minus the setting of L4-02.

Status	Description
Open	Output frequency or motor speed is below L4-01 minus L4-02 or has not exceeded L4-01.
Closed	Output frequency or motor speed exceeded L4-01.

**Note:** Frequency detection works in forward and reverse. The value of L4-01 is used as the detection level for both directions.



## 5.7 H: Terminal Functions

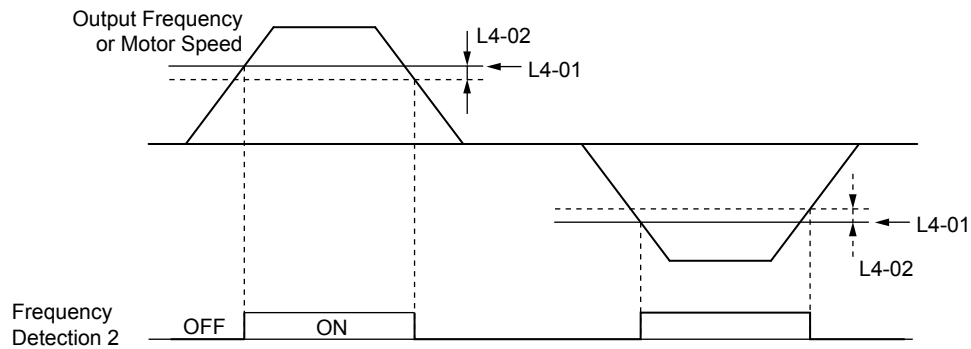


Figure 5.71 Frequency Detection 2 Time Chart

Refer to L4-01, L4-02: Speed Agree Detection Level and Detection Width on page 289 for more details.

### Setting 6: Drive Ready

The output closes when the drive is ready to operate the motor. The terminal will not close under the conditions listed below, and any Run commands will be disregarded.

- When the power is shut off
- During a fault
- When the internal power supply of the drive has malfunctioned
- When a parameter setting error makes it impossible to run
- Although stopped, an undervoltage situation occurs
- While editing a parameter in the Programming Mode (when b1-08 = 0)

### Setting 7: During Power Supply Voltage Fault

Output closes when the power supply voltage or the control circuit voltage falls below the drive operating voltage or when the power supply frequency is incorrect.

Status	Description
Open	Normal
Closed	One of the following faults will occur: Fdv (Power Supply Frequency Fault) AUv (Power Supply Undervoltage) Uv (Undervoltage)

### Setting 8: During Baseblock (N.O.)

The output closes to indicate that the drive is in a baseblock state. While in baseblock, output transistors do not switch and no main circuit voltage is output.

Status	Description
Open	Drive is not in a baseblock state.
Closed	Baseblock is being executed.

### Setting 9: Frequency Reference Source

Displays the currently selected frequency reference source.

Status	Description
Open	Frequency reference is provided from External reference 1 (b1-01) or External reference 2 (b1-15).
Closed	Frequency reference is being sourced from the digital operator.

### Setting A: Run Command Source

Displays the currently selected Run command source.

Status	Description
Open	Run command is provided from External reference 1 (b1-02) or 2 (b1-16).
Closed	Run command is being sourced from the digital operator.



**Setting B, 17, 18, 19: Torque Detection 1 (N.O., N.C.), Torque Detection 2 (N.O., N.C.)**

These digital output functions signal an overtorque or undertorque situation to an external device.

Set up the torque detection levels and select the output function from the table below. [Refer to L6: Torque Detection on page 292](#) for details.

Setting	Status	Description
B	Closed	Torque detection 1 (N.O.): Output current/torque exceeds (overtorque detection) or is below (undertorque detection) the torque value set in parameter L6-02 for longer than the time specified in parameter L6-03.
17	Open	Torque detection 1 (N.C.): Output current/torque exceeds (overtorque detection) or is below (undertorque detection) the torque value set in parameter L6-02 for longer than the time specified in parameter L6-03.
18	Closed	Torque detection 2 (N.O.): Output current/torque exceeds (overtorque detection) or is below (undertorque detection) the torque value set in parameter L6-05 for longer than the time specified in parameter L6-06.
19	Open	Torque detection 2 (N.C.): Output current/torque exceeds (overtorque detection) or is below (undertorque detection) the torque value set in parameter L6-05 for longer than the time specified in parameter L6-06.

**Setting C: Frequency Reference Loss**

An output set for this function closes when frequency reference loss is detected. [Refer to L4-05: Frequency Reference Loss Detection Selection on page 290](#) for details.

**Setting E: Fault**

The output closes when the drive faults (excluding CPF00 and CPF01 faults).

**Setting F: Through Mode**

Select this setting when using the terminal in a pass-through mode. When set to F, an output does not trigger any function in the drive. Setting F, however, still allows the output status to be read by a PLC via a communication option or MEMOBUS/Modbus communications.

**Setting 10: Minor Fault**

The output closes when a minor fault condition is present.

**Setting 11: Fault Reset Command Active**

The output closes when there is an attempt to reset a fault situation from the control circuit terminals, via serial communications, or using a communications option card.

**Setting 12: Timer Output**

This setting configures a digital output terminal as the output for the timer function. [Refer to b4: Timer Function on page 176](#) for details.

**Setting 13: Speed Agree 2 ( $f_{ref}/f_{out}$  Agree 2)**

The output closes when the actual output frequency or motor speed (CLV, CLV/PM) is within the speed agree width (L4-04) of the current frequency reference, regardless of the direction.

Status	Description
Open	Output frequency or motor speed does not match the frequency reference while the drive is running.
Closed	Output frequency or motor speed is within the range of frequency reference $\pm$ L4-04.

**Note:** Detection works in forward and reverse.

## 5.7 H: Terminal Functions

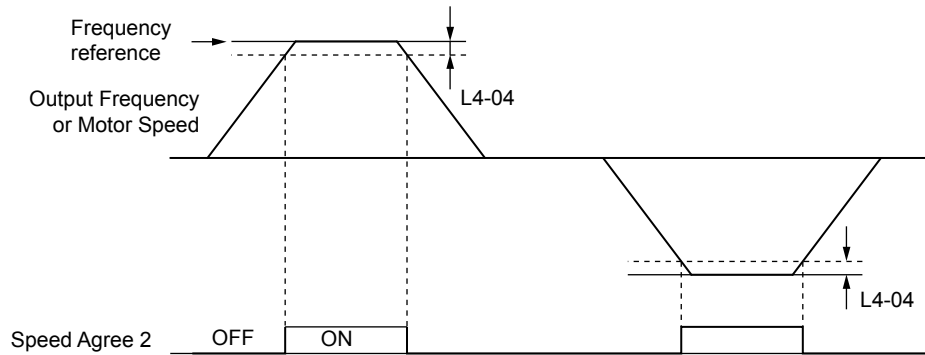


Figure 5.72 Speed Agree 2 Time Chart

Refer to L4-03, L4-04: Speed Agree Detection Level and Detection Width (+/-) on page 290 for more details.

### Setting 14: User-Set Speed Agree 2 ( $f_{ref} / f_{set}$ Agree 2)

The output closes when the actual output frequency or motor speed (CLV, CLV/PM) and the frequency reference are within the speed agree width (L4-04) of the programmed speed agree level (L4-03).

Status	Description
Open	Output frequency or motor speed and frequency reference are both outside the range of $L4-03 \pm L4-04$ .
Closed	Output frequency or motor speed and the frequency reference are both within the range of $L4-03 \pm L4-04$ .

**Note:** The detection level L4-03 is a signed value; detection works in the specified direction only.

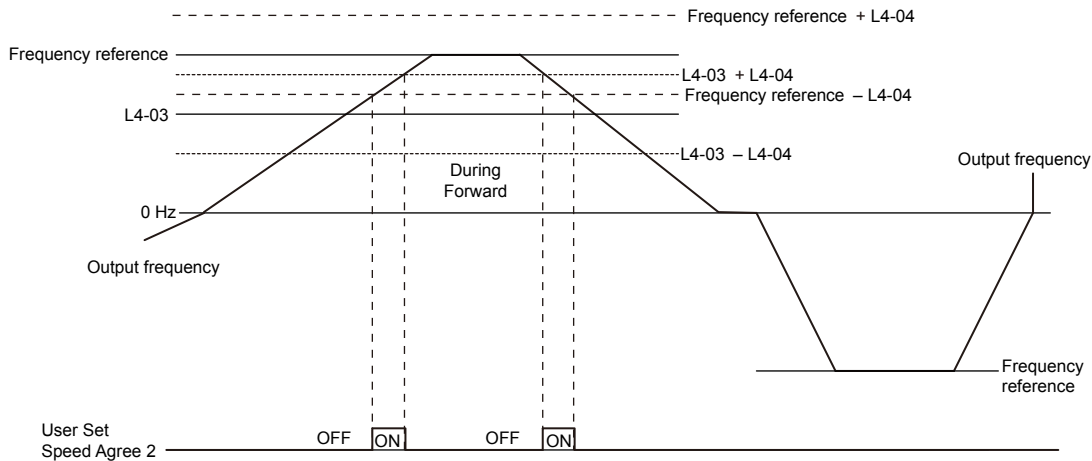


Figure 5.73 User-Set Speed Agree 2 Example with a Positive L3-04 Value

Refer to L4-03, L4-04: Speed Agree Detection Level and Detection Width (+/-) on page 290 for more details.

### Setting 15: Frequency Detection 3

The output opens when the output frequency or motor speed (CLV, CLV/PM) rises above the detection level set in L4-03 plus the detection width set in L4-04. The terminal remains open until the output frequency or motor speed falls below the level set in L4-03. The detection level L4-03 is a signed value; detection works in the specified direction only.

Status	Description
Open	Output frequency or motor speed exceeded $L4-03$ plus $L4-04$ .
Closed	Output frequency or motor speed is below $L4-03$ or has not exceeded $L4-03$ plus $L4-04$ .

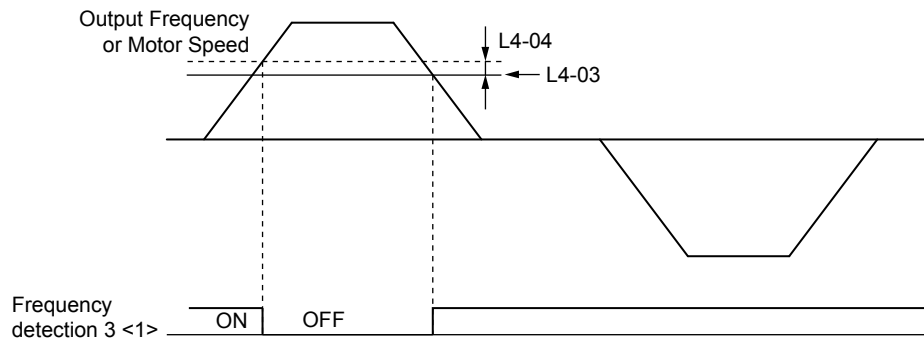


Figure 5.74 Frequency Detection 3 Example with a Positive L3-04 Value

<1> This is the time chart when L4-07 (Speed Agree Detection Selection) is set to 1 (detection always enabled). The default setting for L4-07 is 0 (no detection during baseblock). When L4-07 is set to 0, the terminal opens during baseblock.

Refer to L4-03, L4-04: Speed Agree Detection Level and Detection Width (+/-) on page 290 for more details.

**Setting 16: Frequency Detection 4**

The output closes when the output frequency or motor speed (CLV, CLV/PM) is above the detection level set in L4-03. The terminal remains closed until the output frequency or motor speed falls below L4-03 minus the setting of L4-04.

Status	Description
Open	Output frequency or motor speed is below L4-03 minus L4-04 or has not exceeded L4-03.
Closed	Output frequency or motor speed exceeded L4-03.

**Note:** The detection level L4-03 is a signed value; detection works in the specified direction only.

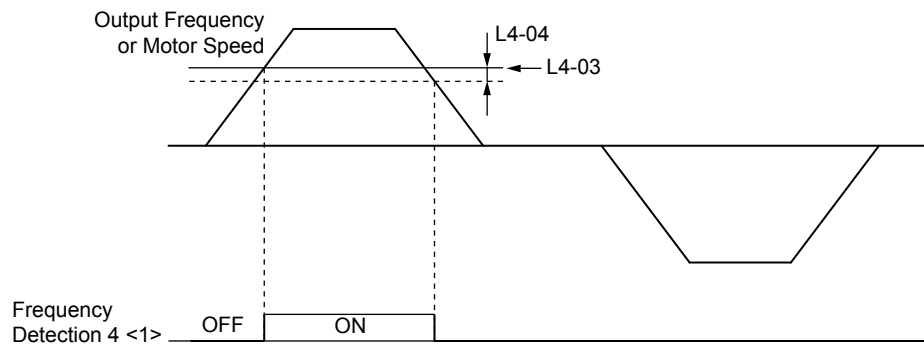


Figure 5.75 Frequency Detection 4 Example with Positive L3-04 Value

<1> This is the time chart when L4-07 (Speed Agree Detection Selection) is set to 1 (detection always enabled). The default setting for L4-07 is 0 (no detection during baseblock). When L4-07 is set to 0, the terminal opens during baseblock.

Refer to L4-03, L4-04: Speed Agree Detection Level and Detection Width (+/-) on page 290 for more details.

**Setting 1A: During Reverse**

A digital output set for “During reverse” closes when the drive is running the motor in the reverse direction.

Status	Description
Open	Motor is being driven in the forward direction or stopped.
Closed	Motor is being driven in reverse.

## 5.7 H: Terminal Functions

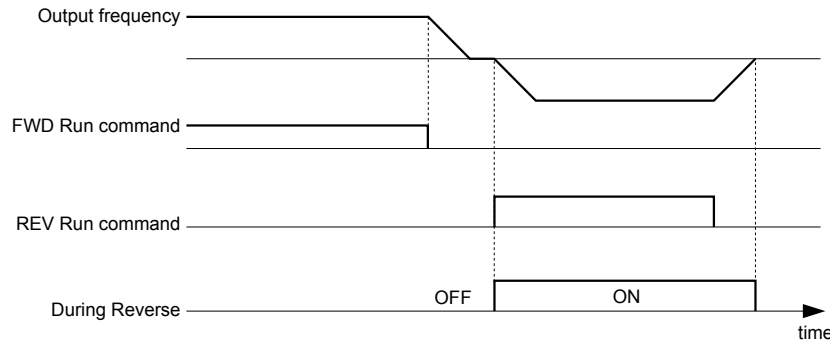


Figure 5.76 Reverse Direction Output Example Time Chart

### Setting 1B: During Baseblock (N.C.)

The output opens to indicate that the drive is in a baseblock state. While Baseblock is executed, output transistors do not switch and no main circuit voltage is output.

Status	Description
Open	Baseblock is being executed.
Closed	Drive is not in a baseblock state.

### Setting 1C: Motor 2 Selection

Indicates which motor is selected when another output terminal is set to switch drive operation between two motors (H1-□□ = 16). [Refer to Setting 16: Motor 2 Selection on page 251](#) for details on switching motors.

Status	Description
Open	Motor 1 is selected.
Closed	Motor 2 is selected.

### Setting 1D: During Regeneration

Terminal closes when the motor is driven in the regenerative mode.

### Setting 1E: Restart Enabled

An output set for “Restart enabled” closes when the drive attempts to restart after a fault has occurred.

The fault restart function allows the drive to automatically clear a fault. The terminal set to 1E will close after the fault is cleared and the drive has attempted to restart. If the drive cannot successfully restart within the number of attempts permitted by L5-01, a fault will be triggered and the terminal set to 1E will open. [Refer to L5: Fault Restart on page 291](#) for details on automatic restart.

### Setting 1F: Motor Overload Alarm (oL1)

The output closes when the motor overload level estimated by the oL1 fault detection exceeds 90% of the oL1 detection level. [Refer to L1-01: Motor Overload Protection Selection on page 278](#).

### Setting 20: Drive Overheat Pre-Alarm (oH)

The output closes when the drive heatsink temperature reaches the level specified by parameter L8-02. [Refer to L8-02: Overheat Alarm Level on page 297](#) for details on drive overheat detection.

### Setting 22: Mechanical Weakening Detection

The output closes when a mechanical weakening situation is detected. [Refer to Mechanical Weakening Detection on page 294](#) for details.

### Setting 2F: Maintenance Period

The output closes when the cooling fan, DC bus capacitors, or DC bus pre-charge relay may require maintenance as determined by the estimated performance life span of those components. [Refer to Periodic Maintenance on page 389](#) for details.

### Setting 30: During Torque Limit

The output closes when the motor is operating at the torque limit specified by the L7-□□ parameters or an analog input. This setting can only be used in OLV, CLV, AOLV/PM and CLV/PM control modes. [Refer to L7-01 to L7-04: Torque Limits on page 296](#) for details.

**Setting 31: During Speed Limit**

The output closes when the speed limit has been reached. This function can be used in CLV and CLV/PM control modes.

Status	Description
Open	The conditions described below are not present.
Closed	<ol style="list-style-type: none"> <li>1. The frequency reference has reached the upper limit set in d2-01.</li> <li>2. The frequency reference has fallen to the lower limit set in d2-02 or d2-03.</li> <li>3. Parameter b1-05 is set to 1, 2, or 3, and the frequency reference has fallen below the minimum output frequency (E1-09).</li> </ol>

**Setting 32: During Speed Limit in Torque Control**

The motor torque and load torque are not in balance, causing the motor to accelerate. The output closes when the motor reaches the speed limit. *Refer to d5: Torque Control on page 214* and *Indicating Operation at the Speed Limit on page 216* for details.

**Setting 33: Zero Servo Complete**

The output closes when Zero Servo is enabled and the load is locked into position within the allowable deviation (b9-02). *Refer to b9: Zero Servo on page 190* for information on Zero Servo operation.

**Setting 37: During Frequency Output**

The output closes when the drive is outputting a frequency.

Status	Description
Open	The drive is not outputting a frequency (one of the following functions is being performed: stop, baseblock, DC Injection Braking (during initial excitation)).
Closed	Drive is outputting frequency.

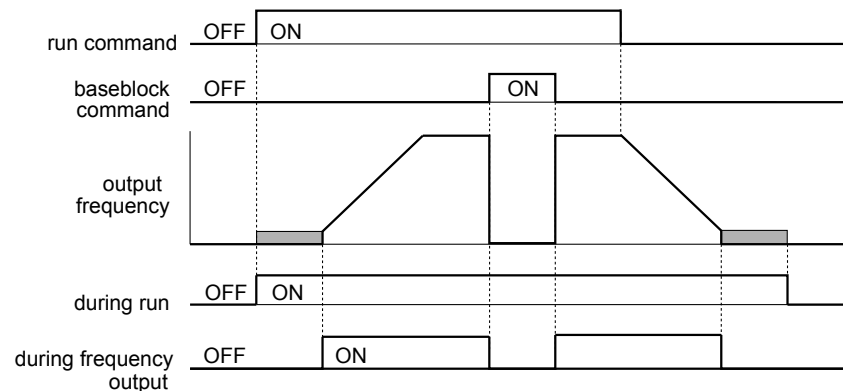


Figure 5.77 During Frequency Output Time Chart

**Setting 38: Drive Enable**

Reflects the status of a digital input configured as a “Drive enable” input (H1-□□ = 6A). If that digital input closes, then the digital output set for “Drive enable” will also close.

**Setting 39: Power Consumption Pulse Output**

Outputs a pulse to indicate the power consumption. *Refer to H2-06: Power Consumption Output Unit Selection on page 266* for details.

**Setting 3A: Regenerated Power Pulse Output**

Outputs a pulse to indicate the regenerated power. *Refer to H2-06: Power Consumption Output Unit Selection on page 266* for details.

**Setting 3C: LOCAL/REMOTE Status**

The output terminal closes while the drive is set for LOCAL and opens when in REMOTE.

Status	Description
Open	REMOTE: The external reference that has been selected (either b1-01 and b1-02 or b1-15 and b1-16) is used as frequency reference and Run command source.
Closed	LOCAL: The digital operator is used as frequency reference and Run command source.

## 5.7 H: Terminal Functions

### Setting 3D: During Speed Search

The output terminal closes while Speed Search is being performed. *Refer to b3: Speed Search on page 168* for details.

### Setting 3E: PID Feedback Low

Output terminal closes when a PID feedback loss (FbL) is detected. The feedback is considered to be lost if it falls below the level set to b5-13 for longer than the time set to b5-14. *Refer to PID Feedback Loss Detection on page 181* for details.

### Setting 3F: PID Feedback High

Output terminal closes when a PID feedback loss (FbH) is detected. The feedback is considered to be lost if it rises beyond the level set to b5-36 for longer than the time set to b5-37. *Refer to PID Feedback Loss Detection on page 181* for details.

### Setting 4C: During Fast Stop

The output terminal closes when a Fast Stop is being executed. *Refer to Setting 15, 17: Fast Stop (N.O., N.C.) on page 250.*

### Setting 4D: oH Pre-Alarm Time Limit

The output terminal closes when the drive is reducing the speed due to a drive overheat alarm (L8-03 = 4) and the overheat alarm has not disappeared after 10 frequency reduction operation cycles. *Refer to L8-03: Overheat Pre-Alarm Operation Selection on page 297* for a more detailed description.

### Setting 60: Internal Cooling Fan Alarm

The output closes when the drive internal cooling fan has failed.

### Setting 61: Rotor Position Detection Complete

After the Run command is given, the output terminal signals that the drive has detected the rotor position (PM motors).

### Setting 62: MEMOBUS Register 1 (Selected with H2-07 and H2-08)

The contact output is closed when any of the bits specified by H2-08 for the MEMOBUS/Modbus register address set in H2-07 turn on.

### Setting 63: MEMOBUS Register 2 (Selected with H2-09 and H2-10)

The contact output is closed when any of the bits specified by H2-10 for the MEMOBUS/Modbus register address set in H2-09 turn on.

### Setting 64: During Commercial Power Operation

Output closes when operating on commercial power when commercial power switching is selected (b1-24 = 1).

### Setting 90 to 92: DriveWorksEZ Digital Output 1 to 3

These settings are for output functions used in DriveWorksEZ. Normally there is no need to change these settings.

### Setting 100 to 192: Functions 0 to 92 with Inverse Output

These settings have the same function as settings 0 to 92 but with inverse output. Set as 1□□, where the “1” indicates inverse output and the last two digits specify the setting number of the function.

Example: Set “108” for inverse output of “8: During baseblock”.

## ■ H2-06: Power Consumption Output Unit Selection

When one of the multi-function terminals is set to power consumption pulse output (H2-01, H2-02, or H2-03 = 39), parameter H2-06 determines the units for the output signal.

This output function provides a watt hour meter or a PLC input by a 200 ms pulse signal. H2-06 determines the frequency that pulses are issued to keep track of the kWh for the drive.

No.	Parameter Name	Setting Range	Default
H2-06	Power Consumption Output Unit Selection	0 to 4	1

### Setting 0: 0.1 kWh Units

### Setting 1: 1 kWh Units

### Setting 2: 10 kWh Units

### Setting 3: 100 kWh Units

### Setting 4: 1000 kWh Units

- Note:**
1. A negative power output (i.e., regeneration) does not subtract from the total watt hours.
  2. The drive keeps track of the watt hours as long as the control circuit has power. The value is reset when the power supply is shut off.

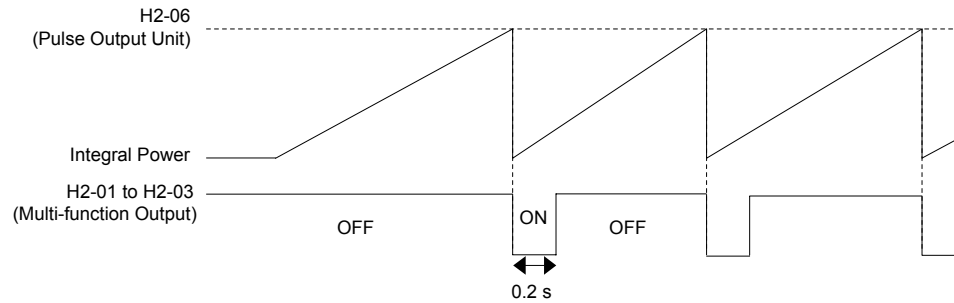


Figure 5.78 Watt Hour Output Example

### ■ H2-07 to H2-10: MEMOBUS Registers

These parameters specify the MEMOBUS/Modbus registers and bits from which data will be sent to the multi-function contact outputs.

No.	Name	Setting Range	Default
H2-07	MEMOBUS Register 1 Address Select	1 to 1FFFH	1
H2-08	MEMOBUS Register 1 Bit Select	0 to FFFFH	0
H2-09	MEMOBUS Register 2 Address Select	1 to 1FFFH	1
H2-10	MEMOBUS Register 2 Bit Select	0 to FFFFH	0

The MEMOBUS/Modbus register addresses for sending data to multi-function contact outputs 62 and 63 are specified in H2-07 and H2-09, and the bits for the MEMOBUS/Modbus registers are specified in H2-08 and H2-10.

### ◆ H3: Multi-Function Analog Inputs

The drive is equipped with three multi-function analog input terminals: A1, A2, and A3. *Refer to Multi-Function Analog Input Terminal Settings on page 270* for a listing of the functions that can be set to these terminals.

#### ■ H3-01: Terminal A1 Signal Level Selection

Selects the input signal level for analog input A1.

No.	Name	Setting Range	Default
H3-01	Terminal A1 Signal Level Selection	0 to 1	0

##### Setting 0: 0 to 10 Vdc

The input level is 0 to 10 Vdc. The minimum input level is limited to 0%, so that a negative input signal due to gain and bias settings will be read as 0%.

##### Setting 1: -10 to 10 Vdc

The input level is -10 to 10 Vdc. If the resulting voltage is negative after being adjusted by gain and bias settings, then the motor will rotate in reverse.

#### ■ H3-02: Terminal A1 Function Selection

Selects the input signal level for analog input A1. *Refer to Multi-Function Analog Input Terminal Settings on page 270* for instructions on adjusting the signal level.

No.	Name	Setting Range	Default
H3-02	Terminal A1 Function Selection	0 to 32	0

#### ■ H3-03, H3-04: Terminal A1 Gain and Bias Settings

Parameter H3-03 sets the level of the selected input value that is equal to 10 Vdc input at terminal A1 (gain).

Parameter H3-04 sets the level of the selected input value that is equal to 0 V input at terminal A1 (bias).

Use both parameters to adjust the characteristics of the analog input signal to terminal A1.



## 5.7 H: Terminal Functions

No.	Name	Setting Range	Default
H3-03	Terminal A1 Gain Setting	-999.9 to 999.9%	100.0%
H3-04	Terminal A1 Bias Setting	-999.9 to 999.9%	0.0%

### Setting Examples

- Gain H3-03 = 200%, bias H3-04 = 0, terminal A1 as frequency reference input (H3-02 = 0):

A 10 Vdc input is equivalent to a 200% frequency reference and 5 Vdc is equivalent to a 100% frequency reference. Since the drive output is limited by the maximum frequency parameter (E1-04), the frequency reference will be equal to E1-04 above 5 Vdc.

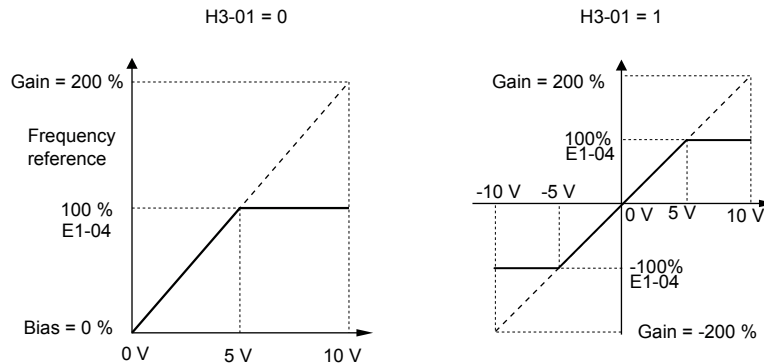


Figure 5.79 Frequency Reference Setting by Analog Input with Increased Gain

- Gain H3-03 = 100%, bias H3-04 = -25%, terminal A1 as frequency reference input:

An input of 0 Vdc will be equivalent to a -25% frequency reference.

When parameter H3-01 = 0, the frequency reference is 0% between 0 and 2 Vdc input.

When parameter H3-01 = 1, the motor will rotate in reverse between -10 and 2 Vdc input.

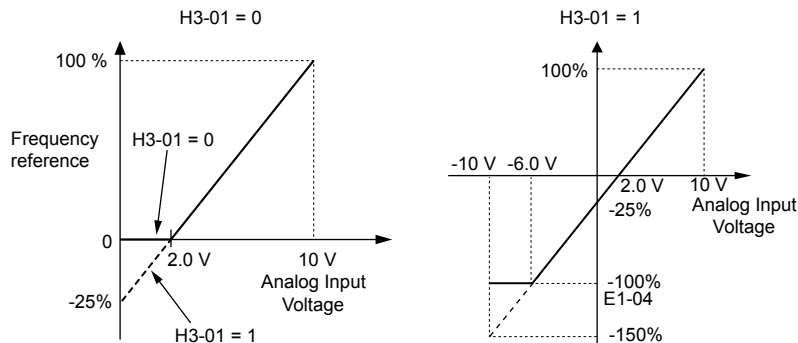


Figure 5.80 Frequency Reference Setting by Analog Input with Negative Bias

### ■ H3-05: Terminal A3 Signal Level Selection

Selects the input signal level for analog input A3. [Refer to Multi-Function Analog Input Terminal Settings on page 270](#) for a list of functions and descriptions.

No.	Name	Setting Range	Default
H3-05	Terminal A3 Signal Level Selection	0, 1	0

#### Setting 0: 0 to 10 Vdc

The input level is 0 to 10 Vdc. See the explanation provided for H3-01. [Refer to Setting 0: 0 to 10 Vdc on page 267.](#)

#### Setting 1: -10 to 10 Vdc

The input level is -10 to 10 Vdc. See the explanation provided for H3-01. [Refer to Setting 1: -10 to 10 Vdc on page 267.](#)

### ■ H3-06: Terminal A3 Function Selection

Determines the function assigned to analog input terminal A3. [Refer to Multi-Function Analog Input Terminal Settings on page 270](#) for a list of functions and descriptions.



No.	Name	Setting Range	Default
H3-06	Terminal A3 Function Selection	0 to 32	2

### ■ H3-07, H3-08: Terminal A3 Gain and Bias Setting

Parameter H3-07 sets the level of the selected input value that is equal to 10 Vdc input at terminal A3 (gain).

Parameter H3-08 sets the level of the selected input value that is equal to 0 V input at terminal A3 (bias).

No.	Name	Setting Range	Default
H3-07	Terminal A3 Gain Setting	-999.9 to 999.9%	100.0%
H3-08	Terminal A3 Bias Setting	-999.9 to 999.9%	0.0%

### ■ H3-09: Terminal A2 Signal Level Selection

Selects the input signal level for analog input A2. Set DIP switch S1 on the terminal board accordingly for a voltage input or current input.

No.	Name	Setting Range	Default
H3-09	Terminal A2 Signal Level Selection	0 to 3	2

#### Setting 0: 0 to 10 Vdc

The input level is 0 to 10 Vdc. [Refer to Setting 0: 0 to 10 Vdc on page 267.](#)

#### Setting 1: 0 to 10 Vdc Bipolar

The input level is -10 to 10 Vdc. [Refer to Setting 1: -10 to 10 Vdc on page 267.](#)

#### Setting 2: 4 to 20 mA

The input level is 4 to 20 mA. Negative input values by negative bias or gain settings will be limited to 0%.

#### Setting 3: 0 to 20 mA

The input level is 0 to 20 mA. Negative input values by negative bias or gain settings will be limited to 0%.

### ■ H3-10: Terminal A2 Function Selection

Determines the function assigned to analog input terminal A2. [Refer to Multi-Function Analog Input Terminal Settings on page 270](#) for a list of functions and descriptions.

No.	Name	Setting Range	Default
H3-10	Terminal A2 Function Selection	0 to 32	0

### ■ H3-11, H3-12: Terminal A2 Gain and Bias Setting

Parameter H3-11 sets the level of the input value selected that is equal to 10 Vdc input or 20 mA input to terminal A2.

Parameter H3-12 sets the level of the input value selected that is equal to 0 V, 4 mA or 0 mA input at terminal A2.

Use both parameters to adjust the characteristics of the analog input signal to terminal A2. The setting works in the same way as parameters H3-03 and H3-04 for analog input A1.

No.	Name	Setting Range	Default
H3-11	Terminal A2 Gain Setting	-999.9 to 999.9%	100.0%
H3-12	Terminal A2 Bias Setting	-999.9 to 999.9%	0.0%

### ■ H3-13: Analog Input Filter Time Constant

Parameter H3-13 sets the time constant for a first order filter that will be applied to the analog inputs.

An analog input filter prevents erratic drive control when using a “noisy” analog reference. Drive operation becomes more stable as the programmed time becomes longer, but it also becomes less responsive to rapidly changing analog signals.

No.	Name	Setting Range	Default
H3-13	Analog Input Filter Time Constant	0.00 to 2.00 s	0.03 s

## 5.7 H: Terminal Functions

### ■ H3-14: Analog Input Terminal Enable Selection

When one of the multi-function digital input parameters is set for “Analog input enable” (H1-□□ = C), the value set to H3-14 determines which analog input terminals are enabled when the input is closed. All of the analog input terminals will be enabled all of the time when H1-□□ ≠ C. The terminals not set as the target are not influenced by input signals.

No.	Name	Setting Range	Default
H3-14	Analog Input Terminal Enable Selection	1 to 7	7

**Setting 1: A1 Only Enabled**

**Setting 2: A2 Only Enabled**

**Setting 3: A1 and A2 Only Enabled**

**Setting 4: A3 Only Enabled**

**Setting 5: A1 and A3 Only Enabled**

**Setting 6: A2 and A3 Only Enabled**

**Setting 7: All Analog Input Terminals Enabled**

### ■ H3-16 to H3-18: Terminal A1/A2/A3 Offset

Set the offset level of the selected input value to terminals A1, A2, or A3 that is equal to 0 Vdc input. These parameters rarely require adjustment.

No.	Name	Setting Range	Default
H3-16	Terminal A1 Offset	-500 to 500	0
H3-17	Terminal A2 Offset	-500 to 500	0
H3-18	Terminal A3 Offset	-500 to 500	0

### ■ Multi-Function Analog Input Terminal Settings

See [Table 5.42](#) for information on how H3-02, H3-10, and H3-06 determine functions for terminals A1, A2, and A3.

**Note:** The scaling of all input functions depends on the gain and bias settings for the analog inputs. Set these to appropriate values when selecting and adjusting analog input functions.

**Table 5.42 Multi-Function Analog Input Terminal Settings**

Setting	Function	Page	Setting	Function	Page
0	Frequency Bias	<a href="#">270</a>	E	Motor Temperature (PTC Input)	<a href="#">272</a>
1	Frequency Gain	<a href="#">271</a>	F	Through Mode	<a href="#">272</a>
2	Auxiliary Frequency Reference 1	<a href="#">271</a>	10	Forward Torque Limit	<a href="#">272</a>
3	Auxiliary Frequency Reference 2	<a href="#">271</a>	11	Reverse Torque Limit	
4	Output Voltage Bias	<a href="#">271</a>	12	Regenerative Torque limit	
5	Accel/Decel Time Gain	<a href="#">271</a>	13	Torque Limit Using Torque Reference/Speed Limit	<a href="#">272</a>
6	DC Injection Braking Current	<a href="#">271</a>	14	Torque Compensation	<a href="#">272</a>
7	Torque Detection Level	<a href="#">271</a>	15	General Torque Limit	<a href="#">272</a>
8	Stall Prevention Level During Run	<a href="#">271</a>	16	Differential PID Feedback	<a href="#">272</a>
9	Output Frequency Lower Limit Level	<a href="#">272</a>	1F	Through Mode	<a href="#">272</a>
B	PID Feedback	<a href="#">272</a>	30	DriveWorksEZ Analog Input 1	<a href="#">272</a>
C	PID Setpoint	<a href="#">272</a>	31	DriveWorksEZ Analog Input 2	
D	Frequency Bias	<a href="#">272</a>	32	DriveWorksEZ Analog Input 3	

#### Setting 0: Frequency Bias

The input value of an analog input set to this function will be added to the analog frequency reference value. When the frequency reference is supplied by a different source other than the analog inputs, this function will have no effect. Use this setting also when only one of the analog inputs is used to supply the frequency reference.

By default, analog inputs A1 and A2 are set for this function. Simultaneously using A1 and A2 increases the frequency reference by the total of all inputs.

Example: If the analog frequency reference from analog input terminal A1 is 50% and a bias of 20% is applied by analog input terminal A2, the resulting frequency reference will be 70% of the maximum output frequency.

### Setting 1: Frequency Gain

The input value of an analog input set to this function will be multiplied with the analog frequency reference value.

Example: If the analog frequency reference from analog input terminal A1 is 80% and a gain of 50% is applied from analog input terminal A2, the resulting frequency reference will be 40% of the maximum output frequency.

### Setting 2: Auxiliary Reference 1

Sets the auxiliary frequency reference 1 when multi-step speed operation is selected. [Refer to Multi-Step Speed Selection on page 205](#) for details.

### Setting 3: Auxiliary Reference 2

Sets the auxiliary frequency reference 2 when multi-step speed operation is selected. [Refer to Multi-Step Speed Selection on page 205](#) for details.

### Setting 4: Output Voltage Bias

Voltage bias boosts the output voltage of the V/f curve as a percentage of the maximum output voltage (E1-05). Available only when using V/f Control.

### Setting 5: Accel/Decel Time Gain

Adjusts the gain level for the acceleration and deceleration times set to parameters C1-01 through C1-08.

The drive acceleration time is calculated by multiplying the gain level to C1-□□ as follows:

$C1-□□ \times \text{Accel/decel time gain} = \text{Drive accel/decel time}$

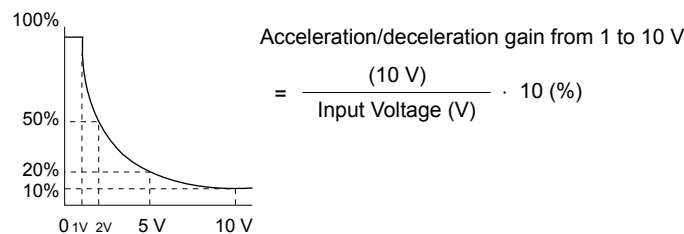


Figure 5.81 Accel/Decel Time Gain with Analog Input Terminal

### Setting 6: DC Injection Braking Current

The current level used for DC Injection Braking is set as a percentage of the drive rated current.

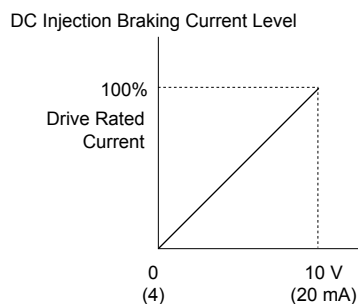


Figure 5.82 DC Injection Braking Current Using an Analog Input Terminal

### Setting 7: Torque Detection Level

Using this setting, the overtorque/undertorque detection level for torque detection 1 (L6-01) can be set by an analog input. The analog input replaces the level set to L6-02. An analog input of 100% (10 V or 20 mA) sets a torque detection level equal to 100% drive rated current/motor rated torque. Adjust the analog input gain if higher detection level settings are required. [Refer to L6: Torque Detection on page 292](#) for details on torque detection.

### Setting 8: Stall Prevention Level

Allows an analog input signal to adjust the Stall Prevention level. [Figure 5.83](#) shows the setting characteristics. The drive will use the lower value of the Stall Prevention level set to L3-06 or the level coming from the selected analog input terminal.

## 5.7 H: Terminal Functions

---

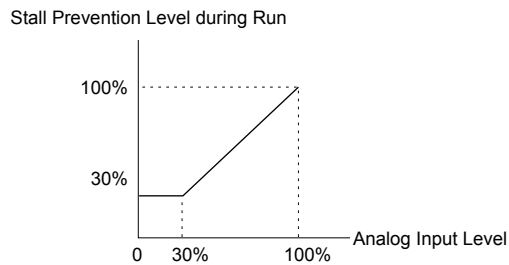


Figure 5.83 Stall Prevention During Run Using an Analog Input Terminal

### Setting 9: Output Frequency Lower Limit Level

The user can adjust the lower limit of the output frequency using an analog input signal.

### Setting B: PID Feedback

Supplies the PID feedback value. This setting requires PID operation to be enabled in b5-01. [Refer to PID Feedback Input Methods on page 178.](#)

### Setting C: PID Setpoint

Supplies the PID setpoint value and makes the frequency reference selected in parameter b1-01 no longer the PID setpoint. PID operation to be enabled in b5-01 to use this setting. [Refer to PID Setpoint Input Methods on page 177.](#)

### Setting D: Frequency Bias

The input value of an analog input set to this function will be added to the frequency reference. This function can be used with any frequency reference source.

### Setting E: Motor Temperature

In addition to motor overload fault detection oL1, it is possible to use a Positive Temperature Coefficient (PTC) thermistor for motor insulation protection. [Refer to Motor Protection Using a Positive Temperature Coefficient \(PTC\) Thermistor on page 281](#) for a detailed explanation.

### Setting F, 1F: Through Mode

When set to F or 1F, an input does not affect any drive function, but the input level can still be read out by a PLC via a communication option or MEMOBUS/Modbus communications.

### Setting 10, 11, 12, 15: Forward, Reverse, Regenerative, General Torque Limit (OLV, CLV, AOLV/PM, CLV/PM)

These functions set a torque limit using analog inputs for different operating conditions. [Refer to L7: Torque Limit on page 295](#) for details.

### Setting 13: Torque Limit Using Torque Reference/Speed Limit

Sets the torque reference (when in Torque Control) or the torque limit (when in Speed Control). [Refer to Setting the Torque Reference, Speed Limit, and Torque Compensation Values on page 214](#) for details.

### Setting 14: Torque Compensation

Sets a torque compensation value when using Torque Control. [Refer to Setting the Torque Reference, Speed Limit, and Torque Compensation Values on page 214](#) for details.

### Setting 16: Differential PID Feedback

If an analog value is set for this function, the PID controller is set for differential feedback. The difference of the PID feedback input value and the differential feedback input value builds the feedback value used to calculate the PID input. [Refer to PID Feedback Input Methods on page 178.](#)

### Setting 30, 31, 32: DriveWorksEZ Analog Inputs 1, 2, and 3

These settings are for DriveWorksEZ functions. Normally there is no need to change or apply these settings.

---

## ◆ H4: Multi-Function Analog Outputs

These parameters assign functions to analog output terminals FM and AM for monitoring a specific aspect of drive performance.

### ■ H4-01, H4-04: Multi-Function Analog Output Terminal FM, AM Monitor Selection

Sets the desired drive monitor parameter U□-□□ to output as an analog value via terminal FM and AM. *Refer to U: Monitor Parameters on page 319* for a list of all monitors. The “Analog Output Level” column indicates whether a monitor can be used for analog output.

Example: Enter “103” for U1-03.

No.	Name	Setting Range	Default
H4-01	Multi-Function Analog Output Terminal FM Monitor Selection	000 to 999	102
H4-04	Multi-Function Analog Output Terminal AM Monitor Selection	000 to 999	103

A setting of 031 or 000 applies no drive monitor to the analog output. With either of these settings, the output level of the terminals FM and AM can be set by a PLC via a communication option or MEMOBUS/Modbus (through mode).

### ■ H4-02, H4-03: Multi-Function Analog Output Terminal FM Gain and Bias H4-05, H4-06: Multi-Function Analog Output Terminal AM Gain and Bias

Parameters H4-02 and H4-05 set the terminal FM and AM output signal level when the value of the selected monitor is at 100%. Parameters H4-03 and H4-06 set the terminal FM and AM output signal level when the value of the selected monitor is at 0%. Both are set as a percentage, where 100% equals 10 Vdc or 20 mA analog output and 0% equals 0 V or 4 mA. The output voltage of both terminals is limited to +/-10 Vdc.

The output signal range can be selected between 0 to +10 Vdc or -10 to +10 Vdc, or 4 to 20 mA using parameter H4-07 and H4-08. *Figure 5.84* illustrates how gain and bias settings work.

No.	Name	Setting Range	Default
H4-02	Multi-Function Analog Output Terminal FM Gain	-999.9 to 999.9%	100.0%
H4-03	Multi-Function Analog Output Terminal FM Bias	-999.9 to 999.9%	0.0%
H4-05	Multi-Function Analog Output Terminal AM Gain	-999.9 to 999.9%	50.0%
H4-06	Multi-Function Analog Output Terminal AM Bias	-999.9 to 999.9%	0.0%

#### Using Gain and Bias to Adjust Output Signal Level

The output signal is adjustable while the drive is stopped.

##### Terminal FM

1. View the value set to H4-02 (Terminal FM Monitor Gain) on the digital operator. A voltage equal to 100% of the parameter being set in H4-01 will be output from terminal FM.
2. Adjust H4-02 viewing the monitor connected to the terminal FM.
3. View the value set to H4-03 on the digital operator; terminal FM will output a voltage equal to 0% of the parameter being set in H4-01.
4. Adjust H4-03 viewing the output signal on the terminal FM.

##### Terminal AM

1. View the value set to H4-05 (Terminal AM Monitor Gain) on the digital operator. A voltage equal to 100% of the parameter being set in H4-04 will be output from terminal AM.
2. Adjust H4-05 viewing the monitor connected to the terminal AM.
3. View the value set to H4-06 on the digital operator; terminal AM will output a voltage equal to 0% of the parameter being set in H4-04.
4. Adjust H4-06 viewing the output signal on the terminal AM.

## 5.7 H: Terminal Functions

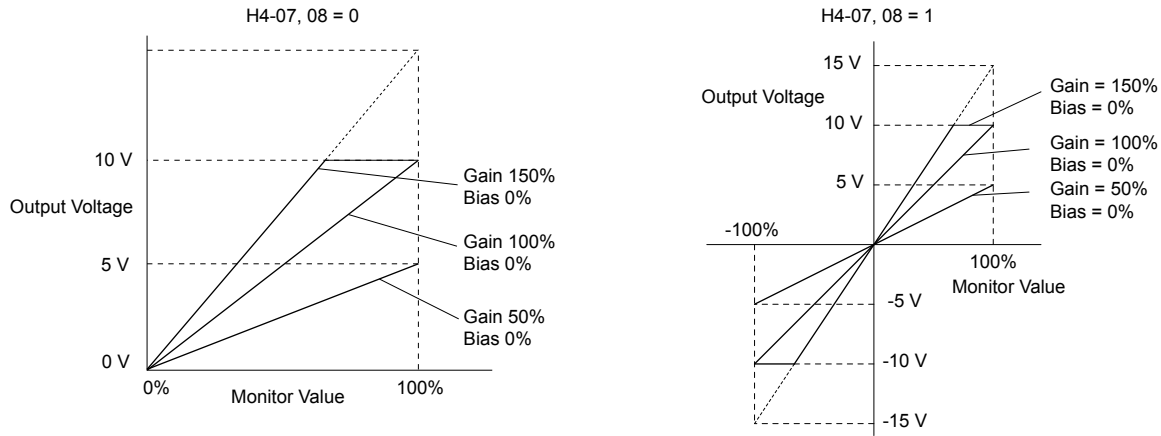


Figure 5.84 Analog Output Gain and Bias Setting Example 1 and 2

Set H4-03 to 30% for an output signal of 3 V at terminal FM when the monitored value is at 0%.

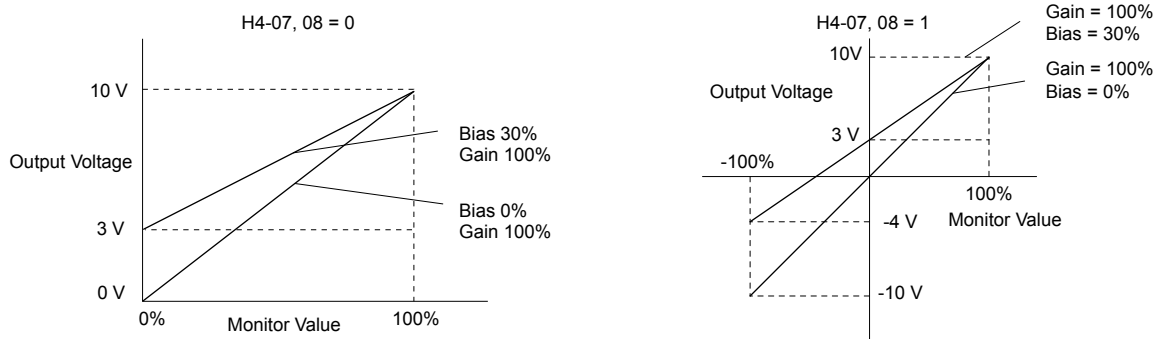


Figure 5.85 Analog Output Gain and Bias Setting Example 3

### ■ H4-07, H4-08: Multi-Function Analog Output Terminal FM, AM Signal Level Selection

Sets the voltage output level of U parameter (monitor parameter) data to terminal FM and terminal AM using parameters H4-07 and H4-08.

Set jumper S5 on the terminal board accordingly when changing these parameters. [Refer to Terminal AM/FM Signal Selection on page 97](#) for details on setting S5.

No.	Name	Setting Range	Default
H4-07	Multi-Function Analog Output Terminal FM Signal Level Selection	0 to 2	0
H4-08	Multi-Function Analog Output Terminal AM Signal Level Selection	0 to 2	0

Setting 0: 0 to 10 V

Setting 1: -10 V to 10 V

Setting 2: 4 to 20 mA

### ◆ H5: MEMOBUS/Modbus Serial Communication

Serial communication is possible in the drive using the built-in RS-422/485 port (terminals R+, R-, S+, S-) and programmable logic controllers (PLCs) or similar devices running the MEMOBUS/Modbus protocol.

The H5-□□ parameters set the drive for MEMOBUS/Modbus Communications. [Refer to MEMOBUS/Modbus Serial Communication on page 565](#) for detailed descriptions of the H5-□□ parameters.

### ◆ H6: Pulse Train Input/Output

A one-track pulse train signal with a maximum frequency of 32 kHz can be input to the drive at terminal RP. This pulse train signal can be used as the frequency reference, for PID functions, or as the speed feedback signal in V/f Control.

The pulse output monitor terminal MP can output drive monitor values as a pulse train signal with a maximum frequency of 32 kHz in sinking or sourcing mode. Refer to [Using the Pulse Train Output on page 95](#) for details.

Use parameters H6-□□ to set the scale and other aspects of the pulse input terminal RP and pulse output terminal MP.

### ■ H6-01: Pulse Train Input Terminal RP Function Selection

Selects the function of pulse train input terminal RP.

No.	Name	Setting Range	Default
H6-01	Pulse Train Input Terminal RP Function Selection	0 to 3	0

#### Setting 0: Frequency Reference

If the pulse input is set for this function and the frequency reference source is set to pulse input (b1-01, b1-15 = 4), the drive reads the frequency value from terminal RP.

#### Setting 1: PID Feedback Value

Using this setting, the feedback value for PID control can be supplied as a pulse signal at terminal RP. Refer to [b5: PID Control on page 177](#) for details on PID control.

#### Setting 2: PID Setpoint Value

Using this setting, the setpoint value for PID control can be supplied as a pulse signal at terminal RP. Refer to [b5: PID Control on page 177](#) for details on PID control.

#### Setting 3: Speed Feedback (V/f Control with Simple Speed Feedback)

This setting can be used in V/f control to increase the speed control precision by using a motor speed feedback signal. The drive reads the speed feedback from terminal RP, compares it to the frequency reference and compensates the motor slip using a speed regulator (ASR, set up in the C5-□□ parameters) like shown in [Figure 5.86](#). Because input terminal RP is incapable of detecting motor direction, a separate way of determining motor direction still needs to be set up:

##### 1. Using a Digital Input

If a digital input programmed for “Forward/reverse detection” (H1-□□ = 7E) is closed, the drive assumes reverse rotation. If open, then the drive assumes that the motor is rotating forwards.

##### 2. Using the Frequency Reference Direction

If no digital input is set to “Forward/reverse detection” (H1-□□ = 7E), the drive uses the direction of the frequency reference as the direction for the speed feedback detected at the pulse input.

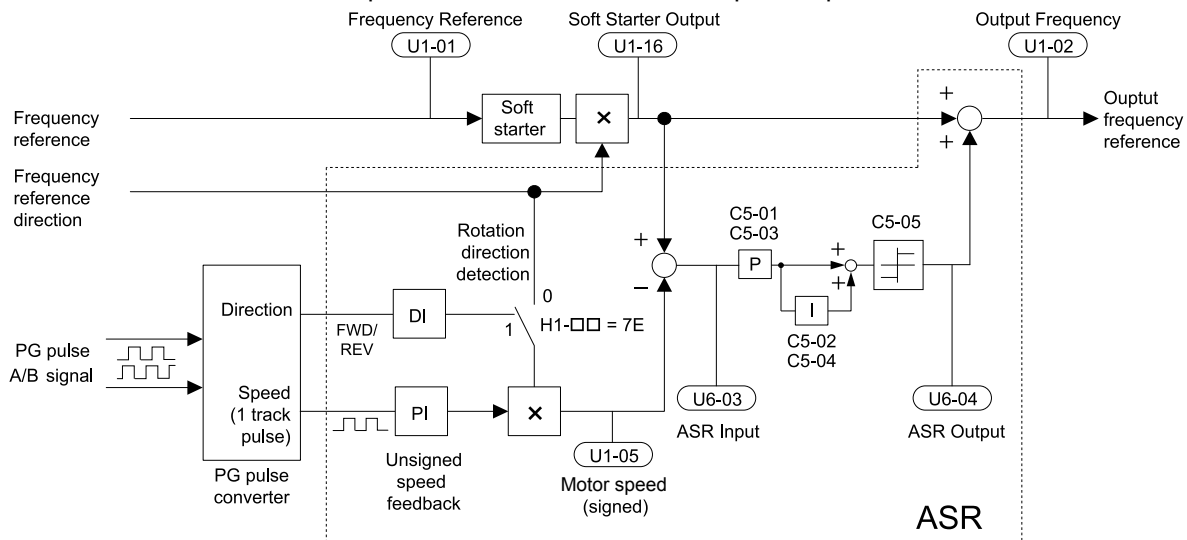


Figure 5.86 Speed Control with ASR in V/f with Simple Speed Feedback

#### Enabling V/f Control with Simple Speed Feedback:

1. Set the drive to V/f Control (A1-02 = 0).
2. Connect the motor speed pulse signal to the pulse input RP, set H6-01 = 3, and set the pulse signal frequency that is equal to the maximum speed to H6-02 (pulse input scaling). Make sure the pulse input bias (H6-04) is 0% and the gain (H6-03) is 100%.



## 5.7 H: Terminal Functions

3. Decide on the signal used for detecting the direction. Set H1-□□ = 7E if using a digital input.
4. Use the ASR gain and integral time parameters described in [C5: Automatic Speed Regulator \(ASR\)](#) on page 197 for adjusting the responsiveness.

**Note:**

1. C5 parameters will appear when using V/f Control (A1-02 = 0) and when the pulse input RP function is set for simple PG feedback in V/f Control (H6-01 = 3).
2. If running two motors from the same drive, V/f Control with simple PG feedback can be used for motor 1 only.

### ■ H6-02: Pulse Train Input Scaling

Sets the pulse signal frequency that is equal to 100% of the input value selected in parameter H6-01.

No.	Name	Setting Range	Default
H6-02	Pulse Train Input Scaling	100 to 32000 Hz	1440 Hz

### ■ H6-03: Pulse Train Input Gain

Sets the level of the input value selected in H6-01 when a pulse train signal with the frequency set in H6-02 is input to terminal RP.

No.	Name	Setting Range	Default
H6-03	Pulse Train Input Gain	0.0 to 1000.0%	100.0%

### ■ H6-04: Pulse Train Input Bias

Sets the level of the input value selected in H6-01 when no signal (0 Hz) is input to terminal RP.

No.	Name	Setting Range	Default
H6-04	Pulse Train Input Bias	-100.0 to 100.0%	0.0%

### ■ H6-05: Pulse Train Input Filter Time

Sets the pulse train input filter time constant in seconds.

No.	Name	Setting Range	Default
H6-05	Pulse Train Input Filter Time	0.00 to 2.00 s	0.10 s

### ■ H6-06: Pulse Train Monitor Selection

Selects the monitor to output as a pulse train signal via terminal MP. Enter the three digits in U□-□□ to indicate which monitor to output. [Refer to U: Monitor Parameters on page 319](#) for a complete list of monitors. Monitors that can be selected by H6-06 appear in the table below.

No.	Name	Setting Range	Default
H6-06	Pulse Train Monitor Selection	000 <1>, 031 <1>, 101, 102, 105, 116, 501, 502, 801 to 809	102

<1> Set "000" when the terminal is not used or when using the terminal in the through mode.

### ■ H6-07: Pulse Train Monitor Scaling

Sets the output frequency at terminal MP when the specified monitor item is at 100%. Set H6-06 to 102 and H6-07 to 0 to make the pulse train monitor output synchronous to the output frequency.

No.	Name	Setting Range	Default
H6-07	Pulse Train Monitor Scaling	0 to 32000 Hz	1440 Hz

### ■ H6-08: Pulse Train Input Minimum Frequency

Sets the minimum output frequency detected by the pulse train input. Increasing this setting reduces the time the drive needs to react to changes in the input signal.

- The pulse input value becomes 0 when the pulse input frequency falls below this level.
- Enabled when H6-01 = 0, 1, or 2.
- When simple speed feedback in V/f Control is set as the function for terminal RP (H6-01 = 3), the minimum frequency becomes the detection time for PG disconnect (F1-14).



No.	Name	Setting Range	Default
H6-08	Pulse Train Input Minimum Frequency	0.1 to 1000.0 Hz	0.5 Hz

## 5.8 L: Protection Functions

### ◆ L1: Motor Protection

#### ■ L1-01: Motor Overload Protection Selection

The drive has an electronic overload protection function that estimates the motor overload level based on output current, output frequency, thermal motor characteristics, and time. When the drive detects a motor overload an oL1 fault is triggered and the drive output shuts off.

L1-01 sets the overload protection function characteristics according to the motor being used.

No.	Name	Setting Range	Default
L1-01	Motor Overload Protection Selection	0 to 6	Determined by A1-02

- Note:**
1. When the motor protection function is enabled (L1-01 ≠ 0), an oL1 alarm can be output through one of the multi-function outputs by setting H2-01 to 1F. The output closes when the motor overload level reaches 90% of the oL1 detection level.
  2. Set L1-01 to a value between 1 and 6 when running a single motor from the drive to select a method to protect the motor from overheat. An external thermal relay is not necessary.

#### Setting 0: Disabled (Motor Overload Protection Is Not Provided)

Use this setting if no motor overheat protection is desired or if multiple motors are connected to a single drive. If multiple motors are connected to a single drive, install a thermal relay for each motor as shown in [Figure 5.87](#).

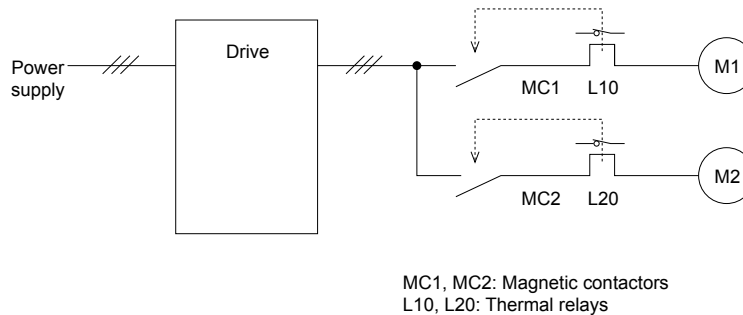


Figure 5.87 Example of Protection Circuit Design for Multiple Motors

**NOTICE:** Thermal protection cannot be provided when running multi-motors simultaneously with the same drive, or when using motors with a relatively high current rating compared to other standard motors (such as a submersible motor). Failure to comply could result in motor damage. Disable the electronic overload protection of the drive (L1-01 = "0: Disabled") and protect each motor with individual motor thermal overloads.

**Note:** Close MC1 and MC2 before operating the drive. MC1 and MC2 cannot be switched off during run.

#### Setting 1: General-purpose Motor (Standard Self-cooled)

Because the motor is self-cooled, the overload tolerance drops when the motor speed is lowered. The drive appropriately adjusts the electrothermal trigger point according to the motor overload characteristics, protecting the motor from overheat throughout the entire speed range.

Overload Tolerance	Cooling Ability	Overload Characteristics
<p>Rated Speed=100% Speed</p> <p>60 s</p> <p>A: Max. speed for 200LJ and above B: Max. speed for 160MJ to 180 LJ C: Max. speed for 132MJ and below</p> <p>Continuous</p> <p>150 100 90 60 50</p> <p>05 33 100 120 167 200</p> <p>Torque (%)</p> <p>Speed (%)</p>	<p>Motor designed to operate from line power. Motor cooling is most effective when running at rated base frequency (check the motor nameplate or specifications).</p>	<p>Continuous operation at less than line power frequency with 100% load can trigger a motor overload fault (oL1). A fault is output and the motor will coast to stop.</p>

**Setting 2: Drive Dedicated Motor (Speed Range for Constant Torque: 1:10)**

Use this setting when operating a drive duty motor that allows constant torque in a speed range of 1:10. The drive will allow the motor to run with 100% load from 10% up to 100% speed. Running at slower speeds with full load can trigger an overload fault.

Overload Tolerance	Cooling Ability	Overload Characteristics
	<p>Motor is designed to effectively cool itself even at low speeds.</p>	<p>Continuous operation with 100% load from 6 Hz to E1-06, Motor Base Frequency.</p>

**Setting 3: Vector Motor (Speed Range for Constant Torque: 1:100)**

Use this setting when operating a drive-dedicated motor that allows constant torque in a speed range of 1:100. This motor type is allowed to run with 100% load from 1% up to 100% speed. Running slower speeds with full load can trigger an overload fault.

Overload Tolerance	Cooling Ability	Overload Characteristics
	<p>Motor is designed to effectively cool itself at speeds near 0.6 Hz.</p>	<p>Continuous operation with 100% load from 0.6 Hz to E1-06, Motor Base Frequency. Continuous operation below 0.6 Hz may cause an oL1 or oL2 fault.</p>

**Setting 4: PM Derated Torque Motor**

Use this setting when operating a PM motor. PM motors for derated torque have a self-cooling design and the overload tolerance drops as the motor slows. Electronic thermal overload is triggered in accordance with the motor overload characteristics, providing overheat protection across the entire speed range.

Overload Tolerance	Cooling Ability	Overload Characteristics
	<p>Motor is designed to produce 100% torque at base speed. Built with effective cooling capabilities.</p>	<p>Reaching 100% when operating at below the base frequency causes a motor overload fault (oL1). The drive fault output closes and the motor coasts to stop.</p>

**Setting 5: Constant Torque PM Motors (Constant Torque Range of 1:500)**

Sets necessary protection characteristics when driving a PM with constant torque. These motors allow for a speed control from 0.2% to 100% when operating with 100% load. Slower speeds with 100% load will trigger overload.

## 5.8 L: Protection Functions

Overload Tolerance	Cooling Ability	Overload Characteristics
	<p>Motor is designed to effectively cool itself at speeds near 0.2% of base speed.</p>	<p>Continuous operation with 100% load from 0.2% to 100% of base speed.</p>

### Setting 6: General-purpose Motor

**Note:** General-purpose motors are designed with a base speed that operates at line frequency (50/60 Hz depending on geographic region).

Because the motor is self-cooled, the overload tolerance drops when the motor speed is lowered. The drive appropriately adjusts the electrothermal trigger point according to the motor overload characteristics and protects the motor from overheat throughout the entire speed range.

Overload Tolerance	Cooling Ability	Overload Characteristics
	<p>Motor designed to operate from line power. Motor cooling is most effective when running at rated base frequency (check the motor nameplate or specifications)</p>	<p>Continuous operation at less than line power frequency with 100% load can trigger a motor overload fault (oL1). A fault is output and the motor will coast to stop.</p>

### ■ L1-02: Motor Overload Protection Time

Sets the time for the drive to shut down on motor overload (oL1) when the motor is running with excessive current. Enter the time the motor can withstand operating at 150% current after previously running at 100% current (hot motor overload condition). There is normally no need to change this parameter from the default value.

No.	Name	Setting Range	Default
L1-02	Motor Overload Protection Time	0.1 to 5.0 minutes	1.0 minutes

Defaulted to operate with an allowance of 150% overload operation for one minute in a hot start after continuous operation at 100%.

**Figure 5.88** illustrates an example of the electrothermal protection operation time using a general-purpose motor operating at the value of E1-06, Motor Base Speed, with L1-02 set to one minute.

Motor overload protection operates in the area between a cold start and a hot start.

- Cold start: Characteristics of motor protection operation time in response to an overload situation that was suddenly reached when starting a stationary motor.
- Hot start: Characteristics of motor protection operation time in response to an overload situation that occurred while the motor was operating continuously at or below its rated current.

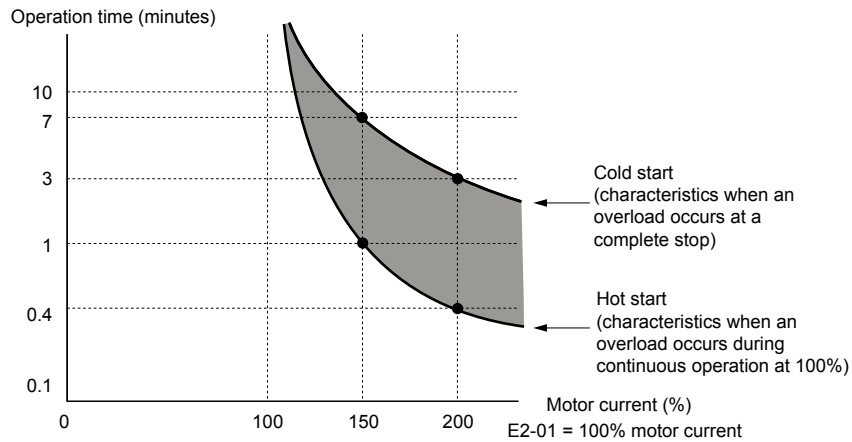


Figure 5.88 Protection Operation Time for General Purpose Motors at the Rated Output Frequency

### Motor Protection Using a Positive Temperature Coefficient (PTC) Thermistor

Connect a motor PTC can to an analog input of the drive for motor overheating protection.

The motor overheating alarm level triggers an oH3 alarm and the drive continues the operation selected in L1-03. The overheating fault level triggers an oH4 fault, outputs a fault signal, and the drive stops the motor using the stop method selected in L1-04.

Connect the PTC between terminals AC and A3 and set jumper S4 on the terminal board to “PTC” as shown in *Figure 5.89*. Set H3-05 to 0 and H3-06 to E.

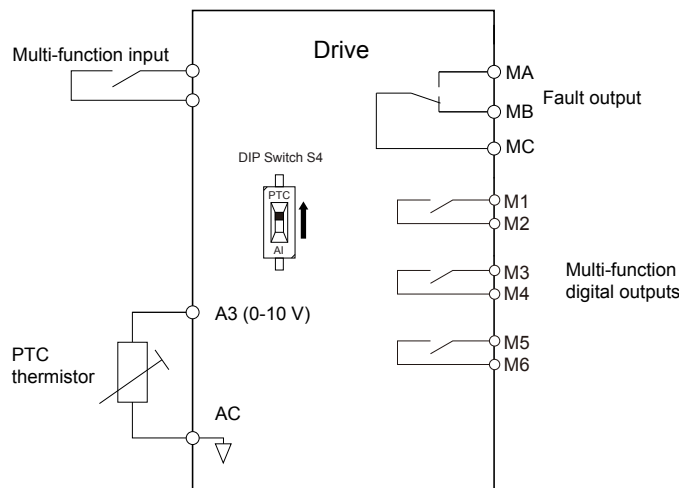
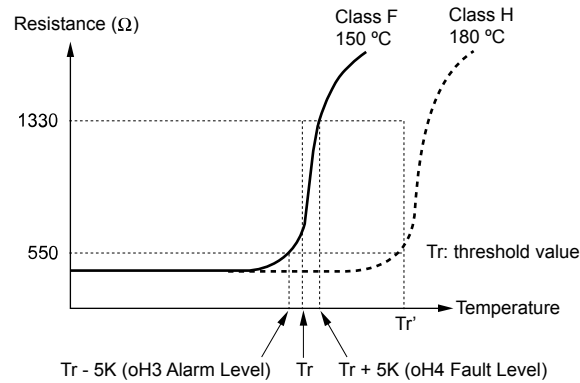


Figure 5.89 Connection of a Motor PTC

The PTC must exhibit the characteristics shown in *Figure 5.90* in one motor phase. The motor overload protection of the drive expects 3 of these PTCs to be connected in a series.

## 5.8 L: Protection Functions



**Figure 5.90 Motor PTC Characteristics**

Set up overheat detection using a PTC using parameters L1-03, L1-04, and L1-05 as explained in the following sections.

### ■ L1-03: Motor Overheat Alarm Operation Selection (PTC input)

Sets the drive operation when the PTC input signal reaches the motor overheat alarm level (oH3).

No.	Name	Setting Range	Default
L1-03	Motor Overheat Alarm Operation Selection (PTC input)	0 to 3	3

#### Setting 0: Ramp to Stop

The drive stops the motor using the deceleration time 1 set in parameter C1-02.

#### Setting 1: Coast to Stop

The drive output is switched off and the motor coasts to stop.

#### Setting 2: Fast Stop

The drive stops the motor using the Fast Stop time set in parameter C1-09.

#### Setting 3: Alarm Only

The operation is continued and an oH3 alarm is displayed on the digital operator.

### ■ L1-04: Motor Overheat Fault Operation Selection (PTC input)

Sets the drive operation when the PTC input signal reaches the motor overheat fault level (oH4).

No.	Name	Setting Range	Default
L1-04	Motor Overheat Fault Operation Selection (PTC input)	0 to 2	1

#### Setting 0: Ramp to Stop

The drive stops the motor using the deceleration time 1 set in parameter C1-02.

#### Setting 1: Coast to Stop

The drive output is switched off and the motor coasts to stop.

#### Setting 2: Fast Stop

The drive stops the motor using the Fast Stop time set in parameter C1-09.

### ■ L1-05: Motor Temperature Input Filter Time (PTC input)

Sets a filter on the PTC input signal to prevent erroneous detection of a motor overheat fault.

No.	Name	Setting Range	Default
L1-05	Motor Temperature Input Filter Time (PTC input)	0.00 to 10.00 s	0.20 s

### ■ L1-08: oL1 Current Level

Sets the reference current for motor thermal overload detection for motor 1 in amperes. When L1-08 is set to 0.0 A (default), parameter E2-01 (E5-03 in PM control modes) is used as the reference for motor overload protection. When L1-08  $\neq$  0.0 A, the set value is used as the reference for motor overload protection.

No.	Name	Setting Range	Default
L1-08	oL1 Current Level	0.0 A or 10 to 150% of drive rated current <1> <2>	0.0 A

<1> Display is in the following units:

- 2□0028, 2□0042, and 4□0011 to 4□0027: 0.01 A units
- 2□0054 to 2□0248 and 4□0034 to 4□0414: 0.1 A units

<2> Cannot be set to a value smaller than 10% of drive rated current when the current level is set to a value greater than 0.0 A.

### ■ L1-09: oL1 Current Level for Motor 2

Sets the reference current for motor thermal overload detection for motor 2 in amperes. When L1-09 is set to 0.0 A (default), parameter E4-01 is used as the reference for motor overload protection. When L1-09 ≠ 0.0 A, the set value is used as the reference for motor overload protection.

No.	Name	Setting Range	Default
L1-09	oL1 Current Level for Motor 2	0.0 A or 10 to 150% of drive rated current <1> <2>	0.0 A

<1> Display is in the following units:

- 2□0028, 2□0042, and 4□0011 to 4□0027: 0.01 A units
- 2□0054 to 2□0248 and 4□0034 to 4□0414: 0.1 A units

<2> Cannot be set to a value smaller than 10% of drive rated current when the current level is set to a value greater than 0.0 A.

### ■ L1-13: Continuous Electrothermal Operation Selection

Determines whether to hold the current value of the electrothermal motor protection (L1-01) when the power supply is interrupted.

No.	Name	Setting Range	Default
L1-13	Continuous Electrothermal Operation Selection	0, 1	1

**Setting 0: Disabled**

**Setting 1: Enabled**

## ◆ L2: Momentary Power Loss Ride-Thru

### ■ L2-01: Momentary Power Loss Operation Selection

When a momentary power loss occurs, the drive can automatically return to the operation it was performing prior to the power loss based on certain conditions.

No.	Name	Setting Range	Default
L2-01	Momentary Power Loss Operation Selection	0 to 2	0

**Setting 0: Disabled**

If a momentary power loss occurs, a power supply frequency fault (Fdv) is detected and the drive output is turned OFF. The motor coasts to stop.

**Setting 1: Recover within L2-02**

When a momentary power loss occurs, the drive output will be shut off. If the power returns within the time set to parameter L2-02, the drive will perform Speed Search and attempt to resume operation. If power is not restored within this time (i.e., DC bus voltage level remains below Uv1 detection level L2-05), then an Fdv fault is triggered and the drive will stop.

**Setting 2: Recover as long as CPU Has Power**

When a momentary power loss occurs, the drive output will be shut off. If the power returns and the drive control circuit has power, the drive will attempt to perform Speed Search and resume the operation. This will not trigger an Fdv fault.

- Note:**
1. Keep the magnetic contactor closed during the momentary power loss when using a magnetic contactor between the motor and the drive
  2. “Uv” will flash on the operator while the drive is attempting to recover from a momentary power loss. A fault signal is not output at this time.

## 5.8 L: Protection Functions

### ■ L2-02: Momentary Power Loss Ride-Thru Time

Sets the maximum time allowed to ride through a power loss. If power loss operation exceeds this time, the drive will attempt to accelerate back to the frequency reference. This parameter is valid when L2-01 = 1.

**Note:** The amount of time the drive is capable of recovering after a power loss is determined by the capacity of the drive. Drive capacity determines the upper limit for L2-02.

No.	Name	Setting Range	Default
L2-02	Momentary Power Loss Ride-Thru Time	0.0 to 2.5 s	0.5 s

### ■ L2-03: Momentary Power Loss Minimum Baseblock Time

Sets the minimum baseblock time when power is restored following a momentary power loss. This determines the time the drive waits for the residual voltage in the motor to dissipate. Increase this setting if overcurrent occurs at the beginning of Speed Search, after a power loss, or during DC Injection Braking.

No.	Name	Setting Range	Default
L2-03	Momentary Power Loss Minimum Baseblock Time	0.1 to 5.0 s	Determined by C6-01 and o2-04

### ■ L2-04: Momentary Power Loss Voltage Recovery Ramp Time

Sets the time for the drive to restore the output voltage to the level specified by the V/f pattern after Speed Search. The setting value determines the time for the voltage to go from 0 V to the maximum voltage.

No.	Name	Setting Range	Default
L2-04	Momentary Power Loss Voltage Recovery Ramp Time	0.0 to 5.0 s	Determined by C6-01 and o2-04

### ■ L2-07: Momentary Power Loss Voltage Recovery Acceleration Time

Sets the time to reaccelerate from the deceleration frequency to the frequency set in frequency reference (frequency before before power loss) after momentary power loss.

When set to 0.0 s, the drive will accelerate to speed according to the active acceleration time set by C1-01, C1-03, C1-05, or C1-07.

No.	Name	Setting Range	Default
L2-07	Momentary Power Loss Voltage Recovery Acceleration Time	0.00 to 6000.0 s </>	0.00 s

<1> Setting range is determined by the accel/decel time units set in C1-10. If the time is set in units of 0.01 s (C1-10 = 0), the setting range becomes 0.00 to 600.00 s.

### ■ L2-13: Input Power Frequency Fault Detection Gain

Sets the gain used to detect a power supply frequency fault (Fdv). If an Fdv fault occurs with no momentary power loss, reduce the setting value in 0.1 increments.

No.	Name	Setting Range	Default
L2-13	Input Power Frequency Fault Detection Gain	0.1 to 2.0	1.0

### ■ L2-21: Low Input Voltage Detection Level

Sets the low input voltage detection level.

No.	Name	Setting Range	Default
L2-21	Low Input Voltage Detection Level	100 to 230 V </>	150 V </>

<1> Values are specific to 200 V class drives. Double the value for 400 V class drives.

### ■ L2-27: Power Supply Frequency Fault Detection Width

Sets the frequency width used to detect a power supply frequency fault (Fdv) in Hz. There is normally no need to change this parameter from the default value.

No.	Name	Setting Range	Default
L2-27	Power Supply Frequency Fault Detection Width	3.0 to 20.0 Hz	6.0 Hz



## ◆ L3: Stall Prevention

The motor may experience excessive slip because it cannot keep up with the frequency reference when the load is too high or acceleration and deceleration times are too short. If the motor slips during acceleration, it usually causes an overcurrent fault (oC), drive overload (oL2), or motor overload (oL1). If the motor slips during deceleration, it can cause excessive regenerative power to flow back into the DC bus capacitors, and eventually cause the drive to fault out from overvoltage (oV). The Stall Prevention Function prevents the motor from stalling and while allowing the motor to reach the desired speed without requiring the user to change the acceleration or deceleration time settings. The Stall Prevention function can be set separately for acceleration, operating at constant speeds, and deceleration.

### ■ L3-01: Stall Prevention Selection during Acceleration

Stall Prevention during acceleration prevents tripping with overcurrent (oC), motor overload (oL1), or drive overload (oL2) faults common when accelerating with heavy loads.

L3-01 determines the type of Stall prevention the drive should use during acceleration.

No.	Name	Setting Range	Default
L3-01	Stall Prevention Selection during Acceleration	0 to 3 <1>	1

<1> Setting 2 is not available for OLV/PM.

#### Setting 0: Disabled

No Stall Prevention is provided. If the acceleration time is too short, the drive may not be able to get the motor up to speed fast enough, causing an overload fault.

#### Setting 1: Enabled

Enables Stall Prevention during acceleration. Operation varies depending on the control mode.

- V/f Control, V/f Control with PG, and Open Loop Vector Control:

Acceleration is reduced when the output current value exceeds 85% of the level set to parameter L3-02 for a longer than the time set to L3-27. The acceleration stops when the current exceeds L3-02. Acceleration continues when the current falls below L3-02 for longer than the time set to L3-27.

The Stall Prevention level is automatically reduced in the constant power range. *Refer to L3-03: Stall Prevention Limit during Acceleration/Deceleration on page 286.*

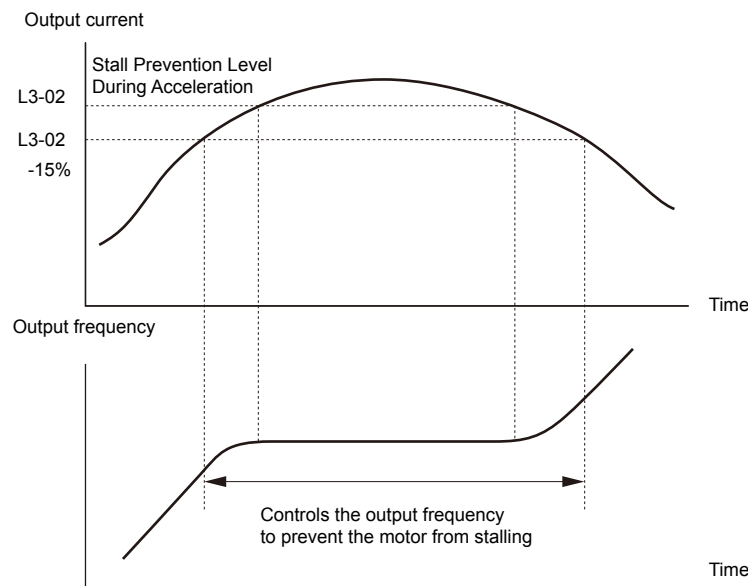


Figure 5.91 Stall Prevention During Acceleration for Induction Motors

- Open Loop Vector Control for PM:

Acceleration stops when the output current reaches the level set to parameter L3-02. When the time set to parameter L3-27 passes, the drive decelerates using the deceleration time set to L3-22 (*Refer to L3-22: Deceleration Time at Stall Prevention during Acceleration on page 288*). Deceleration stops when the current falls below 85% of L3-02. The drive will attempt to reaccelerate after the time set to L3-27.

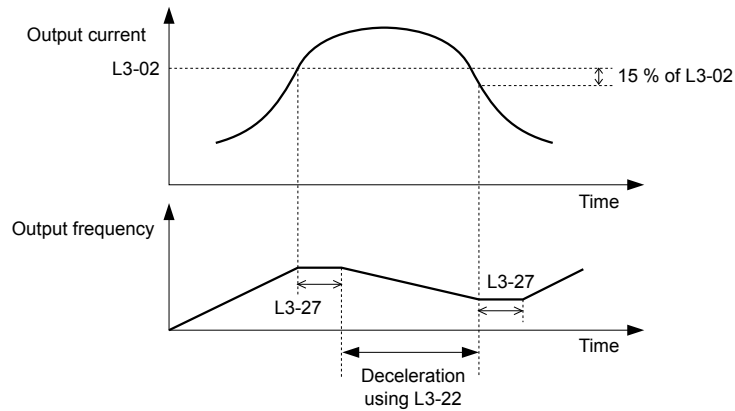


Figure 5.92 Stall Prevention During Acceleration for Permanent Magnet Motors

### Setting 2: Intelligent Stall Prevention

The drive disregards the selected acceleration time and attempts to accelerate in the minimum time. The acceleration rate is adjusted so the current does not exceed the value set to parameter L3-02.

### Setting 3: Enabled (Current Limit)

The acceleration rate is automatically adjusted while limiting the output current at the value set to L3-02, Stall Prevention Level during Acceleration.

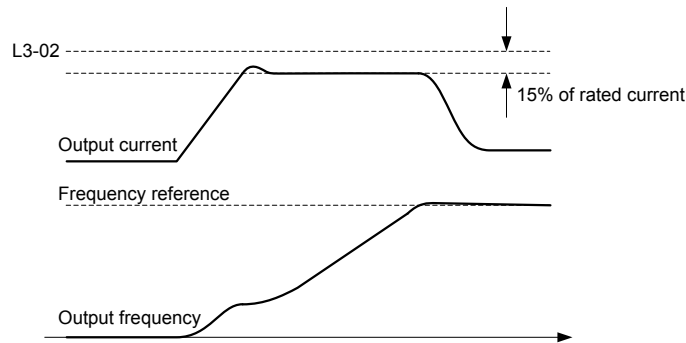


Figure 5.93 Current-Limited Acceleration

## ■ L3-02/L3-14: Stall Prevention Level during Acceleration/Deceleration

Set the output voltage level at which to enable stall prevention during acceleration as a percentage of drive rated current. These parameters are valid when stall prevention during deceleration is selected (L3-04 = 1). Decrease the setting values if stalling occurs when parameters are set to default. There is normally no need to change these parameters from their default values.

No.	Name	Setting Range	Default
L3-02	Stall Prevention Level during Acceleration	0 to 150% </>	</>
L3-14	Stall Prevention Level during Deceleration	80 to 150% </>	</>

<1> The upper limit and default value are determined by C6-01, Drive Duty Selection, and L8-38, Carrier Frequency Reduction Selection.

- Stalling may occur when the motor is rated at a smaller current than the drive rated output current and the stall prevention default settings are used. Set L3-02/L3-14 appropriately if stalling occurs.
- Also set parameter L3-03 when operating the motor in the constant power range.

## ■ L3-03: Stall Prevention Limit during Acceleration/Deceleration

The Stall Prevention level is automatically reduced when the motor is operated in the constant power range. L3-03 sets the lower limit for this reduction as a percentage of the drive rated current.

No.	Name	Setting Range	Default
L3-03	Stall Prevention Limit during Acceleration/Deceleration	0 to 100%	50%

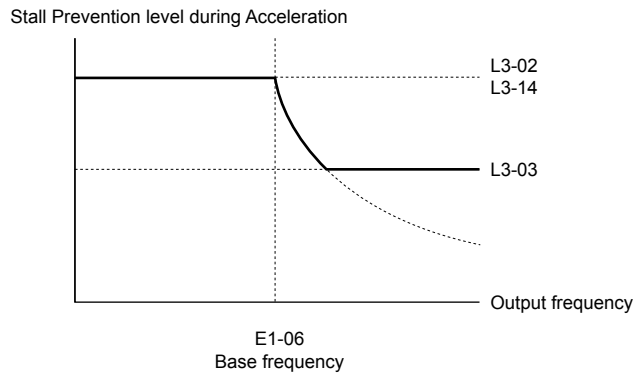


Figure 5.94 Stall Prevention Level and Limit During Acceleration

### ■ L3-04: Stall Prevention Selection during Deceleration

Stall prevention during deceleration prevents the motor from stalling when a large load is imposed on the motor or rapid deceleration is performed.

No.	Name	Setting Range	Default
L3-04	Stall Prevention Selection During Deceleration	0, 1, 4, 6 </>	1

<1> Setting 4 is not available in OLV/PM, AOLV/PM, or CLV/PM.

#### Setting 0: Disabled

The drive decelerates according to the set deceleration time. High inertia loads or rapid deceleration may trigger an overcurrent (oC) fault. Switch to another L3-04 selection if an oC fault occurs.

#### Setting 1: General-purpose Stall Prevention

The drive tries to decelerate within the set deceleration time. The drive pauses deceleration when the output current exceeds the Stall Prevention level and then continues deceleration when the output current drops below that level. Stall Prevention may be triggered repeatedly to avoid an overcurrent (oC) fault.

Figure 5.95 illustrates the function of Stall Prevention during deceleration.

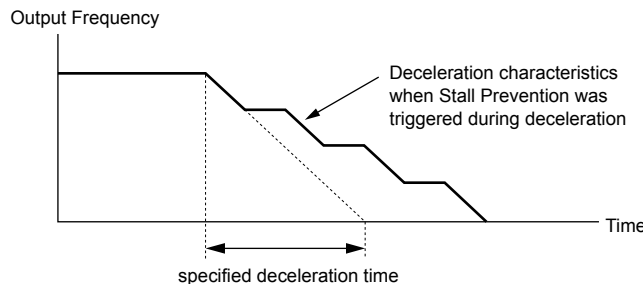


Figure 5.95 Stall Prevention During Deceleration

#### Setting 4: Overexcitation Deceleration

Overexcitation Deceleration (increasing the motor flux) is faster than deceleration with no Stall Prevention (L3-04 = 0). Setting 4 changes the selected decel time and functions to provide protection from an overvoltage trip. *Refer to Overexcitation Deceleration (Induction Motors) on page 304* for details.

#### Setting 6: Enable (Current Limit)

The deceleration rate is automatically adjusted during deceleration of the load while limiting the regeneration current at the setting value of the stall prevention level during deceleration (L3-14).

The stall prevention level may be reached if an external force is applied in the regeneration direction, dramatically decreasing the possibility of stopping the motor.

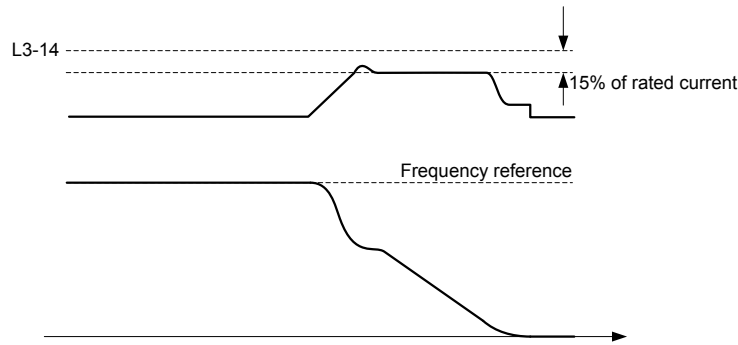


Figure 5.96 Deceleration for Current Limit

### ■ L3-05: Stall Prevention Selection during Run

Determines how Stall Prevention works during Run. Stall Prevention during run prevents the motor from stalling by automatically reducing the speed when a transient overload occurs while the motor is running at constant speed.

No.	Name	Setting Range	Default
L3-05	Stall Prevention Selection During Run	0 to 2	1

- Note:**
1. This parameter is available in V/f, V/f w/PG, and OLV/PM.
  2. Stall Prevention during run is disabled when the output frequency is 6 Hz or lower regardless of the L3-05 and L3-06 settings.

#### Setting 0: Disabled

Drive runs at the set frequency reference. A heavy load may cause the motor to stall and trip the drive with an oC or oL fault.

#### Setting 1: Decelerate Using C1-02

If the current exceeds the Stall Prevention level set in parameter L3-06, the drive will decelerate at decel time 1 (C1-02). When the current level drops below the value of L3-06 minus 2% for 100 ms, the drive accelerates back to the frequency reference at the active acceleration time.

#### Setting 2: Decelerate Using C1-04

Same as setting 1 except the drive decelerates at decel time 2 (C1-04).

### ■ L3-06: Stall Prevention Level during Run

Sets the current level to trigger Stall Prevention during run. Depending on the setting of parameter L3-23, the level is automatically reduced in the constant power range (speed beyond base speed). A setting of 100% is equal to the drive rated current.

The Stall Prevention level can be adjusted using an analog input. *Refer to Multi-Function Analog Input Terminal Settings on page 270* for details.

No.	Name	Setting Range	Default
L3-06	Stall Prevention Level During Run	30 to 150% <1>	<1>

<1> The upper limit and default for this setting is determined by C6-01 and L8-38.

### ■ L3-22: Deceleration Time at Stall Prevention during Acceleration

Sets the brief deceleration time used when stalling occurs while accelerating a PM motor. When set to 0, this function is disabled and the drive decelerates at the selected deceleration time when stalling occurs.

The function is effective only in OLV/ PM control and when parameter L3-01 is set to 1.

No.	Name	Setting Range	Default
L3-22	Deceleration Time at Stall Prevention During Acceleration	0.0 to 6000.0 s	0.0 s

### ■ L3-23: Automatic Reduction Selection for Stall Prevention during Run

Reduces the Stall Prevention during run level in the constant power range.

No.	Name	Setting Range	Default
L3-23	Automatic Reduction Selection for Stall Prevention During Run	0, 1	0

**Setting 0: Disabled**

The level set in L3-06 is used throughout the entire speed range.

**Setting 1: Enabled**

The Stall Prevention level during run is reduced in the constant power range. The lower limit will be 40% of L3-06.

**■ L3-27: Stall Prevention Detection Time**

Sets a delay time from when the Stall Prevention level is reached and the actual Stall Prevention function is activated.

No.	Name	Setting Range	Default
L3-27	Stall Prevention Detection Time	0 to 5000 ms	50 ms

**■ L3-36/L3-41: Vibration Suppression Gain during Acceleration/Deceleration (with Current Limit)**

There is normally no need to change these parameters from their default values. These parameters are valid when acceleration stall prevention (with current limit) is enabled (L3-01 = 3), or when current-limited deceleration is selected for stall prevention during deceleration (L3-04 = 6). Increase the setting values if oscillation occurs in the output current during acceleration/ deceleration.

No.	Name	Setting Range	Default
L3-36	Vibration Suppression Gain during Acceleration (with Current Limit)	0.0 to 100.0	Determined by A1-02
L3-41	Vibration Suppression Gain during Deceleration (with Current Limit)	1.0 to 1000.0	Determined by A1-02

**■ L3-39/L3-44: Current-Limited Integral Time Constant during Acceleration/Deceleration**

Set the time constant for acceleration/deceleration rate adjustment for current-limited acceleration/deceleration. There is normally no need to change these parameters from their default values. These parameters are valid when acceleration or deceleration stall prevention (with current limit) is enabled (L3-01 = 3 or 6).

No.	Name	Setting Range	Default
L3-39	Current-Limited Integral Time Constant during Acceleration	1.0 to 1000.0 ms	100.0 ms
L3-44	Current-Limited Integral Time Constant during Deceleration	1.0 to 1000.0 ms	100.0 ms

**■ L3-40/L3-45: Current-Limited Maximum S-curve Selection during Acceleration/ Deceleration**

Enable or disable the maximum S-curve for current-limited acceleration/deceleration (acceleration: L3-40, deceleration: L3-45). Because it is optimized, the actual acceleration/deceleration time may exceed the setting.

Enable this function when an overcurrent (oC) or other error occurs immediately after starting acceleration or deceleration.

No.	Name	Setting Range	Default
L3-40	Current-Limited Maximum S-curve Selection during Acceleration	0, 1	0
L3-45	Current-Limited Maximum S-curve Selection during Deceleration	0, 1	0

**Setting 0: Disabled****Setting 1: Enabled****◆ L4: Speed Detection**

These parameters set up the speed agree and speed detection functions that can be assigned to the multi-function output terminals.

The speed is detected using the motor speed when A1-02 = 3 or 7.

**■ L4-01, L4-02: Speed Agree Detection Level and Detection Width**

Parameter L4-01 sets the detection level for the digital output functions Speed agree 1, User-set speed agree 1, Frequency detection 1, and Frequency detection 2.

Parameter L4-02 sets the hysteresis level for these functions.

## 5.8 L: Protection Functions

No.	Name	Setting Range	Default
L4-01	Speed Agree Detection Level	0.0 to 400.0 Hz	0.0 Hz
L4-02	Speed Agree Detection Width	0.0 to 20.0 Hz	Determined by A1-02

Refer to H2-01 to H2-03: Terminal M1-M2, M3-M4, and M5-M6 Function Selection on page 256, Settings 2, 3, 4, and 5.

### ■ L4-03, L4-04: Speed Agree Detection Level and Detection Width (+/-)

Parameter L4-03 sets the detection level for the digital output functions Speed agree 2, User-set speed agree 2, Frequency detection 3, and Frequency detection 4.

Parameter L4-04 sets the hysteresis level for these functions.

No.	Name	Setting Range	Default
L4-03	Speed Agree Detection Level (+/-)	-400.0 to 400.0 Hz	0.0 Hz
L4-04	Speed Agree Detection Width (+/-)	0.0 to 20.0 Hz	Determined by A1-02

Refer to H2-01 to H2-03: Terminal M1-M2, M3-M4, and M5-M6 Function Selection on page 256, Settings 13, 14, 15, and 16.

### ■ L4-05: Frequency Reference Loss Detection Selection

The drive can detect a loss of an analog frequency reference from input A1, A2, or A3. Frequency reference loss is detected when the frequency reference drops below 10% of the reference or below 5% of the maximum output frequency within 400 ms.

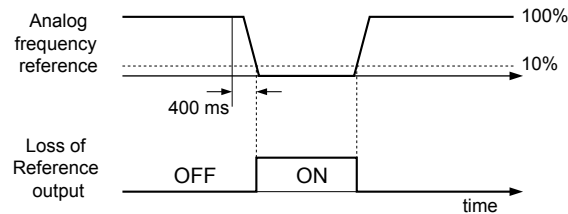


Figure 5.97 Loss of Reference Function

Set H2-01, H2-02, or H2-03 to C for a digital output to trigger when frequency reference loss occurs. Refer to Setting C: Frequency Reference Loss on page 261 for details on setting the output function.

Parameter L4-05 selects the operation when a frequency reference loss is detected.

No.	Name	Setting Range	Default
L4-05	Frequency Reference Loss Detection Selection	0, 1	0

#### Setting 0: Stop

Drive follows the frequency reference (which is no longer present) and stops the motor.

#### Setting 1: Continue operation with reduced frequency reference

The drive will continue operation at the frequency reference value set to parameter L4-06. When the external frequency reference value is restored, the operation is continued with the frequency reference.

### ■ L4-06: Frequency Reference at Reference Loss

Sets the frequency reference level at which the drive runs when L4-05 = 1 and when detecting a reference loss. The value is set as a percentage of the frequency reference before the loss was detected.

No.	Name	Setting Range	Default
L4-06	Frequency Reference at Reference Loss	0.0 to 100.0%	80.0%

### ■ L4-07: Speed Agree Detection Selection

Determines when frequency detection is active using parameters L4-01 through L4-04.

No.	Name	Setting Range	Default
L4-07	Speed Agree Detection Selection	0, 1	0

**Setting 0: No Detection during baseblock****Setting 1: Detection always enabled****◆ L5: Fault Restart**

After a fault has occurred, Fault Restart attempts to automatically restart the motor and continue operation instead of stopping. The drive can perform a self-diagnostic check and resume the operation after a fault has occurred. If the self-check is successful and the cause of the fault has disappeared, the drive restarts by first performing Speed Search (*Refer to b3: Speed Search on page 168* for details).

**WARNING!** *Sudden Movement Hazard. Do not use the fault restart function in lifting applications. Fault restart may cause the machine to drop the load, which could result in death or serious injury.*

The drive can attempt to restart itself following the faults listed below.

Fault	Name	Fault	Name
Aov	Power Supply Overvoltage	oL3	Overtorque 1
GF	Ground Fault	oL4	Overtorque 2
LF	Output Open Phase	ov	DC Bus Overvoltage
LSo	LSo Fault	Uv1	DC Bus Undervoltage <sup>&lt;1&gt;</sup>
oC	Overcurrent	STo	Pull-Out Detection
oH1	Drive Overheat		
oL1	Motor Overload		

<1> When L2-01 is set to 1 or 2 (continue operation during momentary power loss)

Use parameters L5-01 to L5-05 to set up automatic fault restart.

Set H2-01, H2-02, or H2-03 to 1E. to output a signal during fault restart.

**■ L5-01: Number of Auto Restart Attempts**

Sets the number of times that the drive may attempt to restart itself.

Parameter L5-05 determines the method of incrementing the restart counter. When the counter reaches the number set to L5-01, the operation stops and the fault must be manually cleared and reset.

The restart counter is incremented at each restart attempt, regardless of whether the attempt was successful. When the counter reaches the number set to L5-01, the operation stops and the fault must be manually cleared and reset.

The number of fault restarts is reset to zero when:

- The drive operates normally for 10 minutes following a fault restart.
- A fault is cleared manually after protective functions are triggered.
- The power supply is cycled.

No.	Name	Setting Range	Default
L5-01	Number of Auto Restart Attempts	0 to 10 Times	0 Times

**■ L5-02: Auto Restart Fault Output Operation Selection**

Determines if a fault output is triggered (H2-□□ = E) when the drive attempts to restart.

No.	Name	Setting Range	Default
L5-02	Auto Restart Fault Output Operation Selection	0, 1	0



## 5.8 L: Protection Functions

### Setting 0: No Fault Output

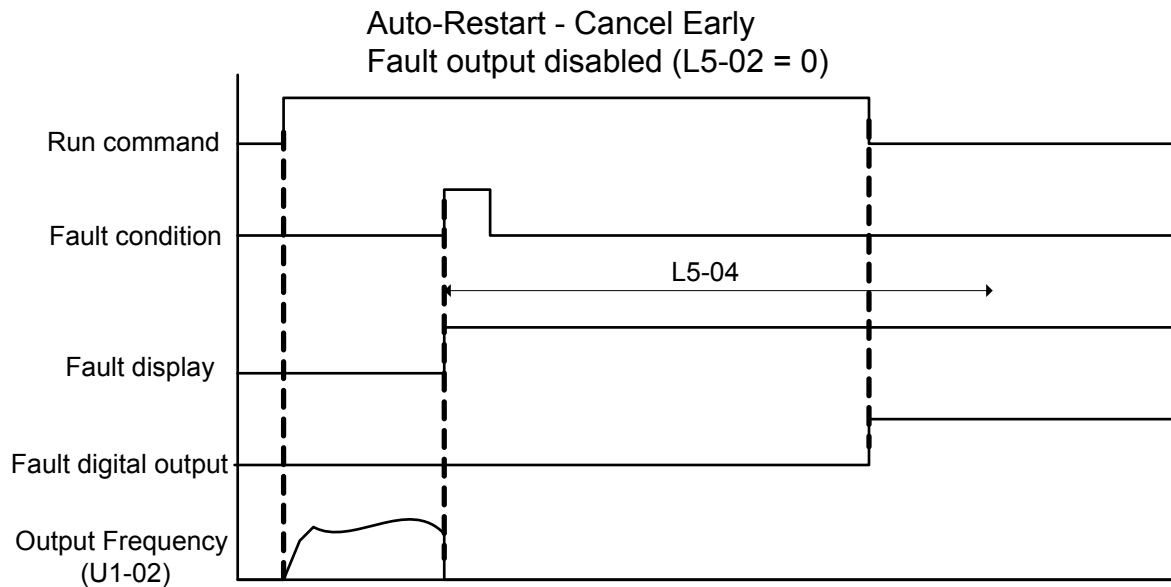


Figure 5.98 Auto Restart Cancel Early

### Setting 1: Fault Output Is Set

#### ■ L5-04: Fault Reset Interval Time

Determines the amount of time to wait between restart attempts when parameter L5-05 is set to 1.

No.	Name	Setting Range	Default
L5-04	Fault Reset Interval Time	0.5 to 600.0 s	10.0 s

#### ■ L5-05: Fault Reset Operation Selection

No.	Name	Setting Range	Default
L5-05	Fault Reset Operation Selection	0, 1	0

### Setting 0: Count Successful Restarts

The drive will continuously attempt to restart. If it restarts successfully, the restart counter is increased. This operation is repeated each time a fault occurs until the counter reaches the value set to L5-01.

### Setting 1: Count Restart Attempts

The drive will attempt to restart using the time interval set to parameter L5-04. A record is kept of the number of attempts to restart to the drive, regardless of whether those attempts were successful. When the number of attempted restarts exceeds the value set to L5-01, the drive stops attempting to restart.

## ◆ L6: Torque Detection

The drive provides two independent torque detection functions that trigger an alarm or fault signal when the load is too heavy (oL), or suddenly drops (UL). These functions are set up using the L6-□□ parameters. Program the digital outputs as shown below to indicate the underload or overload condition to an external device:

**Note:** When overtorque occurs in the application, the drive may stop due to overcurrent (oC) or overload (oL1). To prevent the drive from stopping, use torque detection to indicate an overload situation to the controller before oC or oL1 occur. Use undertorque detection to discover application problems like a torn belt, a pump shutting off, or other similar trouble.

H2-01, H2-02, H2-03 Setting	Description
B	Torque detection 1, N.O. (output closes when overload or underload is detected)
17	Torque detection 1, N.C. (output opens when overload or underload is detected)
18	Torque detection 2, N.O. (output closes when overload or underload is detected)
19	Torque detection 2, N.C. (output opens when overload or underload is detected)

Figure 5.99 and Figure 5.100 illustrate the functions of overtorque and undertorque detection.



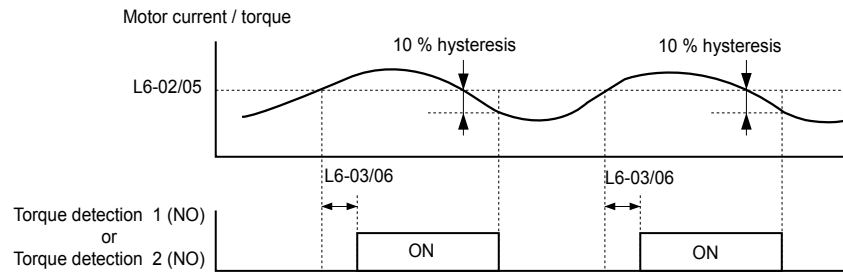


Figure 5.99 Overtorque Detection Operation

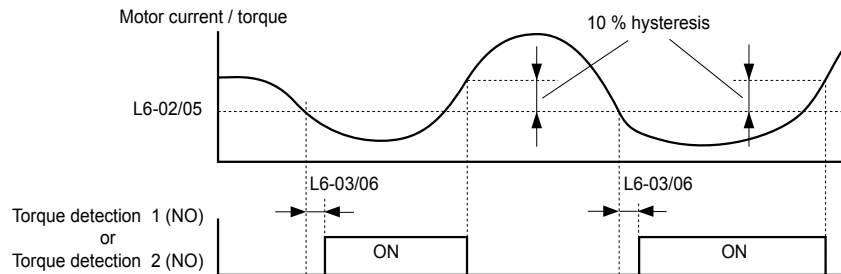


Figure 5.100 Undertorque Detection Operation

- Note:**
1. The torque detection function uses a hysteresis of 10% of the drive rated output current and motor rated torque.
  2. In V/f, V/f w/PG and OLV/PM, the level is set as a percentage of the drive rated output current. In OLV, CLV, AOLV/PM and CLV/PM, the level is set as a percentage of the motor rated torque.

■ **L6-01, L6-04: Torque Detection Selection 1, 2**

The torque detection function is triggered when the current or torque exceed the levels set to L6-02 and L6-05 for longer than the times set to L6-03 and L6-06. L6-01 and L6-04 select the conditions for detection and the operation that follows.

No.	Name	Setting Range	Default
L6-01	Torque Detection Selection 1	0 to 8	0
L6-04	Torque Detection Selection 2	0 to 8	0

**Setting 0: Disabled**

**Setting 1: oL3, oL4 at Speed Agree (Alarm)**

Overtorque detection is active only when the output speed is equal to the frequency reference (i.e., no detection during acceleration and deceleration). The operation continues after detecting overtorque and triggering an oL3/oL4 alarm.

**Setting 2: oL3, oL4 at Run (Alarm)**

Overtorque detection works as long as the Run command is active. The operation continues after detecting overtorque and triggering an oL3/oL4 alarm.

**Setting 3: oL3, oL4 at Speed Agree (Fault)**

Overtorque detection is active only when the output speed is equal to the frequency reference, i.e., no detection during acceleration and deceleration. The operation stops and triggers an oL3/oL4 fault.

**Setting 4: oL3, oL4 at Run (Fault)**

Overtorque detection works as long as a Run command is active. The operation stops and triggers an oL3/oL4 fault.

**Setting 5: UL3, UL4 at Speed Agree (Alarm)**

Undertorque detection is active only when the output speed is equal to the frequency reference, i.e., no detection during acceleration and deceleration. The operation continues after detecting overtorque and triggering a UL3/UL4 alarm.

**Setting 6: UL3, UL4 at Run (Alarm)**

Undertorque detection works as long as the Run command is active. The operation continues after detecting overtorque and triggering a UL3/UL4 alarm.

## 5.8 L: Protection Functions

### Setting 7: UL3, UL4 at Speed Agree (Fault)

Undertorque detection is active only when the output speed is equal to the frequency reference, i.e., no detection during acceleration and deceleration. The operation stops and triggers a UL3/UL4 fault.

### Setting 8: UL3, UL4 at Run (Fault)

Undertorque detection works as long as a Run command is active. The operation stops and triggers a UL3/UL4 fault.

### ■ L6-02, L6-05: Torque Detection Level 1, 2

These parameters set the detection levels for torque detection functions 1 and 2. In V/f and OLV/PM control modes, these levels are set as a percentage of the drive rated output current. In vector control modes, these levels are set as a percentage of the motor rated torque.

When Mechanical Weakening detection is enabled (L6-08 ≠ 0), the level for L6-02 is set as a percentage of the drive rated output current in all control modes.

No.	Name	Setting Range	Default
L6-02	Torque Detection Level 1	0 to 300%	150%
L6-05	Torque Detection Level 2	0 to 300%	150%

**Note:** The torque detection level 1 (L6-02) can also be supplied by an analog input terminal set to H3-□□ = 7. Here, the analog value has priority and the setting in L6-02 is disregarded. Torque detection level 2 (L6-05) cannot be set by an analog input.

### ■ L6-03, L6-06: Torque Detection Time 1, 2

These parameters determine the time required to trigger an alarm or fault after exceeding the levels in L6-02 and L6-05.

No.	Name	Setting Range	Default
L6-03	Torque Detection Time 1	0.0 to 10.0 s	10.0 s
L6-06	Torque Detection Time 2	0.0 to 10.0 s	0.1 s

### ■ Mechanical Weakening Detection

This function detects the mechanical weakening of a machine that leads to overtorque or undertorque situations after a set machine operation time has elapsed.

The function is activated in the drive when the cumulative operation counter U4-01 exceeds the time set to parameter L6-11. Mechanical Weakening Detection uses the torque detection 1 settings (L6-01, L6-02, L6-03) and triggers an oL5 or UL5 fault when overtorque or undertorque occurs in the speed range determined by parameter L6-08 and L6-09. The oL5 or UL5 operation is set by parameter L6-08.

Set H2-□□ to 22 to output a signal for Mechanical Weakening Detection.

### ■ L6-08: Mechanical Weakening Detection Operation

Sets the speed range to detect mechanical weakening and the action to take when mechanical weakening is detected.

No.	Name	Setting Range	Default
L6-08	Mechanical Weakening Detection Operation	0 to 8	0

#### Setting 0: Disabled

#### Setting 1: Continue Running if the Speed Is Greater than L6-09 (Signed) (Alarm)

Detection when the speed is above L6-09 (signed). Operation continues and triggers an oL5 alarm after detection.

#### Setting 2: Continue Running if the Speed Is Greater than L6-09 (Alarm)

Detection when the speed is above L6-09 (unsigned). Operation continues and triggers an oL5 alarm after detection.

#### Setting 3: Stop when Motor Speed Is Greater than L6-09 (Signed)

Detection when the speed is above L6-09 (signed). Operation stops and triggers an oL5 fault after detection.

#### Setting 4: Stop when Motor Speed Is Greater than L6-09

Detection when the speed is above L6-09 (unsigned). Operation stops and triggers an oL5 fault after detection.

#### Setting 5: Continue Running if the Speed Is Less than L6-09 (Signed) (Alarm)

Detection when the speed is below L6-09 (signed). Operation continues and triggers a UL5 alarm after detection.

**Setting 6: Continue Running if the Speed Is Less than L6-09 (Alarm)**

Detection when the speed is below L6-09 (unsigned). Operation continues and triggers a UL5 alarm after detection.

**Setting 7: Stop when Motor Speed Is Less than L6-09 (Signed)**

Detection when the speed is below L6-09 (signed). Operation stops and triggers a UL5 fault after detection.

**Setting 8: Stop when Motor Speed Is Less than L6-09**

Detection when the speed is below L6-09 (unsigned). Operation stops and triggers a UL5 fault after detection.

**■ L6-09: Mechanical Weakening Detection Speed Level**

Sets the speed level for Mechanical Weakening Detection as a percentage of the maximum frequency. If L6-08 is set for unsigned speed detection (L6-08 = 2, 4, 6, 8), the absolute value of L6-09 is used (negative settings are treated as positive values).

No.	Name	Setting Range	Default
L6-09	Mechanical Weakening Detection Speed Level	-110.0 to 110.0%	110%

**■ L6-10: Mechanical Weakening Detection Time**

Sets the time permitted for the situation selected in parameter L6-08 to arise before detecting mechanical weakening.

No.	Name	Setting Range	Default
L6-10	Mechanical Weakening Detection Time	0.0 to 10.0 s	0.1 s

**■ L6-11: Mechanical Weakening Detection Start Time**

Sets the cumulative drive operation time at which Mechanical Weakening Detection is activated. The function activates when U4-01 reaches the L6-11 value.

No.	Name	Setting Range	Default
L6-11	Mechanical Weakening Detection Start Time	0 to 65535 h	0 h

**◆ L7: Torque Limit**

The torque limit function limits the torque in each of the four quadrants individually to protect machinery in OLV, CLV, AOLV/PM, and CLV/PM control modes. Set the limit through parameters, analog inputs, or by switching a digital output programmed for “During torque limit” (H2-01, H2-02, H2-03 = 30) when the drive is operating at the torque limit.

**■ Setting Torque Limits**

Parameters L7-01 to L7-04 define the torque limits for each of the four operation quadrants. It is also possible to use Analog inputs to define a general limit for all operation conditions (H3-02, H3-06, H3-10 = 15) or to set separate limits for each operation condition (H3-02, H3-06, H3-10 = 10, 11, or 12). *Figure 5.101* shows limit setting is applied in each quadrant.

If two limit values are defined for the same operation conditions, the drive will use the lower value.

**Note:** The maximum output torque is ultimately limited by the drive output current (max. 150% of drive rated current in HD, 120% in ND). Output torque will not exceed the drive rated current limit even if the torque limits are set to higher values.

Example: If parameter L7-01 = 130%, L7-02 to L7-04 = 200%, and an analog input sets a general torque limit of 150% (H3-02, H3-06, H3-10 = 15), then the torque limit will be 130% in quadrant 1, but 150% in the other quadrants.

## 5.8 L: Protection Functions

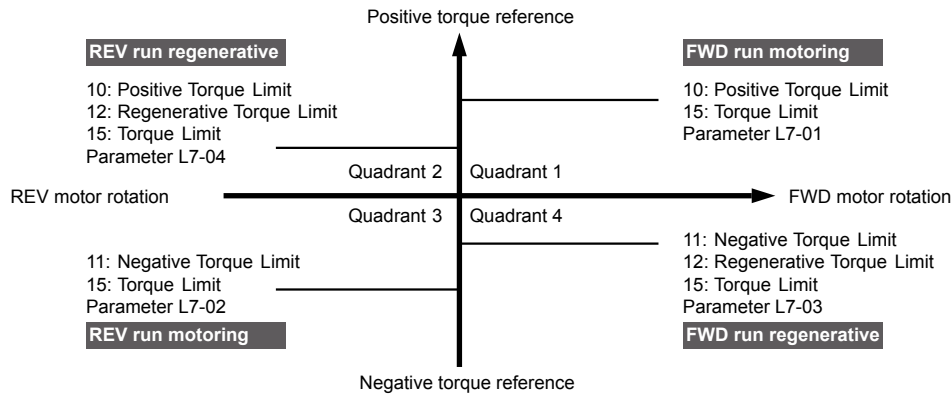


Figure 5.101 Torque Limit Parameters and Analog Input Settings

### ■ L7-01 to L7-04: Torque Limits

These parameters set the torque limits in each quadrant.

No.	Name	Setting Range	Default
L7-01	Forward Torque Limit	0 to 300%	200%
L7-02	Reverse Torque Limit	0 to 300%	200%
L7-03	Forward Regenerative Torque Limit	0 to 300%	200%
L7-04	Reverse Regenerative Torque Limit	0 to 300%	200%

**Note:** If the multi-function analog input is programmed for “10: Forward torque limit”, “11: Reverse torque limit”, “12: Regenerative torque limit”, or “15: General torque limit”, the drive uses the lowest value from L7-01 through L7-04, or analog input torque limit.

### ■ L7-06: Torque Limit Integral Time Constant

Sets the integral time constant for the torque limit function. Decrease the setting for faster torque limit response. Increase the setting if oscillation occurs when operating at the torque limit.

No.	Name	Setting Range	Default
L7-06	Torque Limit Integral Time Constant	5 to 10000 ms	200 ms

### ■ L7-07: Torque Limit Control Method Selection during Accel/Decel

Selects the function of torque limit during acceleration and deceleration.

No.	Name	Setting Range	Default
L7-07	Torque Limit Control Method Selection during Accel/Decel	0, 1	0

#### Setting 0: Proportional Control

The torque limit function works with P control during accel and decel, and switches to I control at constant speed. Use this setting when accelerating or decelerating to the desired speed has priority over the torque limit during speed changes.

#### Setting 1: Integral Control

The torque limit function always uses I control. Use this setting when a highly accurate torque limit is required, even during speed changes. Using this function may increase the acceleration time, or prevent the motor speed from reaching the frequency reference if the torque limit is reached first.

### ■ L7-16: Torque Limit Process at Start

Assigns a time filter to allow the torque limit to build at start.

No.	Name	Setting Range	Default
L7-16	Torque Limit Process at Start	0, 1	1

#### Setting 0: Disabled

Torque limit is created at start without a delay time. Disable L7-16 to maximize the response time when the application requires sudden acceleration or deceleration at start.

**Setting 1: Enabled**

A delay time of 64 ms is added to allow the torque limit to build at start.

**◆ L8: Drive Protection****■ L8-02: Overheat Alarm Level**

Sets the overheat alarm (oH) detection level.

The drive outputs an alarm when the heatsink temperature exceeds the overheat alarm level. If the temperature reaches the overheat fault level, the drive will trigger an oH1 fault and stop operation.

When an output terminal is set for the oH pre-alarm (H2-□□ = 20), the switch will close when the heatsink temperature rises above L8-02.

No.	Name	Setting Range	Default
L8-02	Overheat Alarm Level	50 to 150 °C	Determined by C6-01 and o2-04

**■ L8-03: Overheat Pre-Alarm Operation Selection**

Sets the operation when an overheat pre-alarm is detected.

**Note:** Change L8-03 setting only when necessary.

No.	Name	Setting Range	Default
L8-03	Overheat Pre-Alarm Operation Selection	0 to 4	3

**Setting 0: Ramp to Stop**

If an overheat alarm occurs, the drive decelerates to stop using the currently selected deceleration time. If a digital output is programmed for “fault” (H2-□□ = E), this output will be triggered.

**Setting 1: Coast to Stop**

If an overheat alarm occurs, the drive switches off the output and the motor coasts to stop. If a digital output is programmed for “fault” (H2-□□ = E), this output will be triggered.

**Setting 2: Fast Stop**

If an overheat alarm occurs, the drive decelerates to stop using the Fast Stop time (C1-09). If a digital output is programmed for “fault” (H2-□□ = E), this output will be triggered.

**Setting 3: Alarm Only**

If an overheat alarm occurs, an alarm is output and the drive continues operation.

**Setting 4: Operation with Reduced Speed**

If an overheat alarm occurs, the operation continues with the speed reduced to the level set to parameter L8-19. If the oH alarm is still present after 10 s, the speed is reduced again. The amount of speed reduction depends on how often the alarm repeats. If the oH alarm disappears while the drive is operating at a reduced speed, the drive will switch to the previous speed in 10 s increments until reaching base frequency. *Figure 5.102* explains the operation with reduced speed during an oH alarm. A digital output programmed for 4D is switched when the oH alarm is still active after ten reduction cycles.

## 5.8 L: Protection Functions

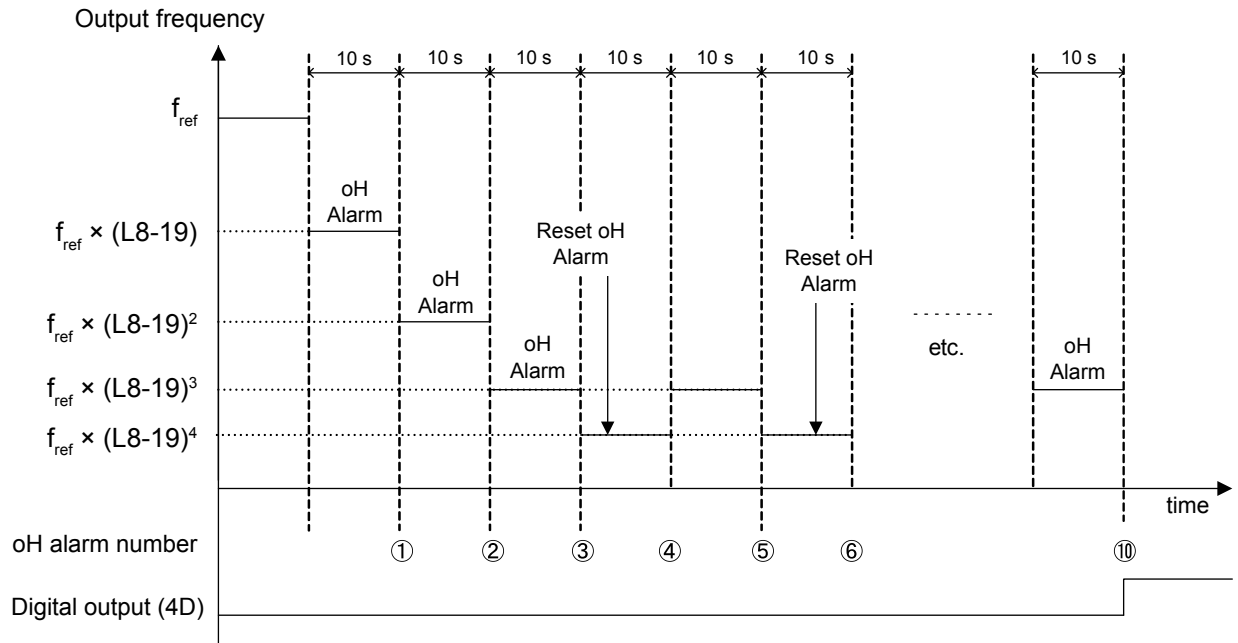


Figure 5.102 Output Frequency Reduction During Overheat Alarm

### ■ L8-07: Output Phase Loss Protection Selection

Enables or disables the output phase loss detection triggered when the output current falls below 5% of the drive rated current.

- Note:**
1. Output phase loss detection can mistakenly be triggered if the motor rated current is very small compared to the drive rating. Disable this parameter in such cases.
  2. Output phase loss detection is not possible when the drive is running a PM motor with light load.

No.	Name	Setting Range	Default
L8-07	Output Phase Loss Protection Selection	0 to 2	1

#### Setting 0: Disabled

#### Setting 1: Fault when One Phase Is Lost

An output phase loss fault (LF) is triggered when one output phase is lost. The output shuts off and the motor coasts to stop.

#### Setting 2: Fault when Two Phases Are Lost

An output phase loss fault (LF) is triggered when two or more output phases are lost. The output shuts off and the motor coasts to stop.

### ■ L8-09: Output Ground Fault Detection Selection

Enables or disables the output ground fault detection.

No.	Name	Setting Range	Default
L8-09	Output Ground Fault Detection Selection	0, 1	1

#### Setting 0: Disabled

Ground faults are not detected.

#### Setting 1: Enabled

A ground fault (GF) is triggered when high leakage current or a ground short circuit occurs in one or two output phases.

### ■ L8-10: Heatsink Cooling Fan Operation Selection

Selects the heatsink cooling fan operation.

No.	Name	Setting Range	Default
L8-10	Heatsink Cooling Fan Operation Selection	0, 1	0

**Setting 0: Run with Timer**

The fan is switched on when a Run command is active and switched off with the delay set to parameter L8-11 after releasing the Run command. This setting extends the fan lifetime.

**Note:** The cooling fan will always turn on when a damping resistor overheat (doH) is detected regardless of the setting value.

**Setting 1: Run Always**

The fan runs when power is supplied to the drive.

**■ L8-11: Heatsink Cooling Fan Off-Delay Time**

Sets the cooling fan switch off-delay time if parameter L8-10 is set to 0.

No.	Name	Setting Range	Default
L8-11	Heatsink Cooling Fan Off-Delay Time	0 to 300 s	60 s

**■ L8-12: Ambient Temperature Setting**

Automatically adapts the drive rated current to safe values when used with parameter L8-35. This eliminates the need to reduce the drive rated current when the temperature where the drive is mounted is above the specified values. *Refer to Temperature Derating on page 439* for details.

No.	Name	Setting Range	Default
L8-12	Ambient Temperature Setting	-10 to +50 °C	40 °C

**■ L8-15: oL2 Characteristics Selection at Low Speeds**

Selects whether the drive overload capability (oL fault detection level) is reduced at low speeds to prevent premature output transistor failures. Set this parameter to 0 (Protection disabled at low speed) when protection is activated for an oL2 fault for a light load at low speed.

- Note:**
- Contact Yaskawa before using the drive for applications for which the setting is 0 (disabled).
  - Do not set this parameter to 0 (disabled) in V/f or OLV control.

No.	Name	Setting Range	Default
L8-15	oL2 Characteristics Selection at Low Speed	0, 1	1

**Setting 0: Protection Disabled at Low Speed**

The overload protection level is not reduced. Frequently operating the drive with high output current at low speed can lead to premature drive faults.

**Setting 1: Protection Enabled at Low Speed**

The overload protection level (oL2 fault detection level) is automatically reduced at speeds below 6 Hz. At zero speed, the overload is derated by 50%.

**■ L8-18: Software Current Limit Selection**

Enables and disables the Software Current Limit (CLA) protection function to prevent main circuit transistor failures caused by high current.

**Note:** Do not change this setting unless absolutely necessary.

No.	Name	Setting Range	Default
L8-18	Software Current Limit Selection	0, 1	0

**Setting 0: Software CLA Disabled**

The drive may trip on an oC fault if the load is too heavy or the acceleration is too short.

**Setting 1: Software CLA Enabled**

When the Software CLA current level is reached, the drive reduces the output voltage to reduce the current. Normal operation continues when the current level drops below the Software CLA level.

**■ L8-19: Frequency Reduction Rate during Overheat Pre-Alarm**

Specifies the output frequency reduction when L8-03 is set to 4 and an oH alarm is present. Set as a factor of the maximum output frequency.



## 5.8 L: Protection Functions

No.	Name	Setting Range	Default
L8-19	Frequency Reduction Rate During Overheat Pre-Alarm	0.1 to 0.9	0.8

### ■ L8-27: Overcurrent Detection Gain

Adjusts the overcurrent detection level in OLV/PM, AOLV/PM, or CLV/PM. A setting of 100% is equal to the motor rated current. When the drive rated current is considerably higher than the motor rated current, use this parameter to decrease the overcurrent level and prevent motor demagnetization from high current.

Overcurrent detection uses the lower value between the overcurrent level for the drive and the motor rated current multiplied by L8-27.

**Note:** The drive detects the lowest overcurrent from the overcurrent level of the drive, the setting value of this parameter, and the overcurrent level determined from the motor rated current.

No.	Name	Setting Range	Default
L8-27	Overcurrent Detection Gain	0.0 to 400.0%	300.0%

### ■ L8-29: Current Unbalance Detection (LF2)

Enables and disables output current unbalance detection in OLV/PM, AOLV/PM, or CLV/PM. Current unbalance can heat a PM motor and demagnetize the magnets. The current unbalance detection function monitors output current and triggers the LF2 fault to prevent such motor damage.

No.	Name	Setting Range	Default
L8-29	Current Unbalance Detection (LF2)	0, 2	2

#### Setting 0: Disabled

Motor protection with LF2 is disabled.

#### Setting 2: Enabled

LF2 fault is triggered when an output current imbalance is detected. Drive output shuts off and the motor coasts to stop.

### ■ L8-32: Cooling Fan Failure Selection

Determines drive operation when a FAn fault occurs.

No.	Name	Setting Range	Default
L8-32	Cooling Fan Failure Selection	0 to 2	1

#### Setting 0: Ramp to Stop

The drive stops the motor using the deceleration time 1 set in parameter C1-02.

#### Setting 1: Coast to Stop

The drive output is switched off and the motor coasts to a stop.

#### Setting 2: Fast Stop

The drive stops the motor using the Fast stop time set in parameter C1-09.

### ■ L8-35: Installation Method Selection

Selects the type of installation for the drive and changes the drive overload (oL2) limits accordingly.

- Note:**
1. Initialization does not reset this parameter.
  2. The value is preset to the appropriate value when the drive is shipped. Change the value only when using Side-by-Side installation or when mounting a standard drive with the heatsink outside the cabinet.

No.	Name	Setting Range	Default
L8-35	Installation Method Selection	0, 2, 3	<1>

<1> Default setting is determined by parameter o2-04, Drive Model Selection.

#### Setting 0: IP00/Open-Chassis Enclosure

For an Open Type enclosure drive installed with at a minimum of 30 mm space to the next drive or a cabinet wall.

#### Setting 2: IP20/NEMA Type 1 Enclosure

For drives compliant with IP20/NEMA Type 1 enclosure specifications.



**Setting 3: Finless Drive or External Heatsink Installation**

For finless drives or a standard drive mounted with the heatsink outside the cabinet or enclosure panel.

**■ L8-38: Carrier Frequency Reduction Selection**

Selects the operation of the carrier frequency reduction function. Reduces the carrier frequency when the output current exceeds a certain level. This temporarily increases the overload capability (oL2 detection), allowing the drive to run through transient load peaks without tripping.

**Note:** This function cannot be used in AOLV/PM.

No.	Name	Setting Range	Default
L8-38	Carrier Frequency Reduction Selection	0 to 2	Determined by A1-02, C6-01 and o2-04

**Setting 0: Disabled**

No carrier frequency reduction at high current.

**Setting 1: Enabled for Output Frequencies below 6 Hz**

The carrier frequency is reduced at speeds below 6 Hz when the current exceeds 100% of the drive rated current. The drive returns to the normal carrier frequency when the current falls below 88% or the output frequency exceeds 7 Hz.

**Setting 2: Enabled for Entire Frequency Range**

The carrier frequency is reduced at the following speeds:

- Below 6 Hz when the current exceeds 100% of the drive rated current.
- Above 7 Hz when the current exceeds 112% of the drive rated current.

The drive uses the delay time set in parameter L8-40 and a hysteresis of 12% when switching the carrier frequency back to the set value.

**■ L8-40: Carrier Frequency Reduction Off-Delay Time**

The following settings are used when the carrier frequency is to be reduced at start:

- Time taken for the reduced carrier frequency to return to the carrier frequency set at C6-02.
- Time taken to return to the set carrier frequency after reducing it by setting L8-38 to 1 or 2.

The carrier frequency reduction function at start is disabled if this value is 0.00 s.

No.	Name	Setting Range	Default
L8-40	Carrier Frequency Reduction Off-Delay Time	0.00 to 2.00 s	Determined by A1-02

**■ L8-41: High Current Alarm Selection**

Triggers a high current alarm (HCA) when the output current exceeds 150% of the drive rated current.

No.	Name	Setting Range	Default
L8-41	High Current Alarm Selection	0, 1	0

**Setting 0: Disabled**

No alarm is detected.

**Setting 1: Enabled**

An alarm is triggered when the output current exceeds 150% of the drive rated current. A digital output set for an alarm (H2-□□ = 10) will close.

**■ L8-93: LSo Detection Time at Low Speed**

Sets the amount of time until baseblock is executed after LSo has been detected at low speed.

A setting of 0.0 s disables this parameter.

No.	Name	Setting Range	Default
L8-93	LSo Detection Time at Low Speed	0.0 to 10.0 s	1.0 s

## 5.8 L: Protection Functions

---

### ■ L8-94: LSo Detection Level at Low Speed

Determines the detection level of Sto at low speed. Set as a percentage of the maximum frequency (E1-04).

No.	Name	Setting Range	Default
L8-94	LSo Detection Level at Low Speed	0 to 10%	3%

### ■ L8-95: Average LSo Frequency at Low Speed

Sets the average number of times LSo can occur at low speed.

No.	Name	Setting Range	Default
L8-95	Average LSo Frequency at Low Speed	1 to 50 times	10 times

## ◆ L9: Drive Protection 2

### ■ L9-03: Carrier Frequency Reduction Level Selection

Selects start or clear current level for automatic carrier frequency reduction. There is normally no need to change this parameter from the default value.

No.	Name	Setting Range	Default
L9-03	Carrier Frequency Reduction Level Selection	0, 1	0

**Setting 0: Reduces the Carrier Frequency Based on the Drive Rated Current that Is Not Derated**

**Setting 1: Reduces the Carrier Frequency Based on the Drive Rated Current that Is Derated by the Carrier Frequency and Temperature with C6-02 Selection**

## 5.9 n: Special Adjustments

These parameters control a variety of specialized adjustments and functions, including Hunting Prevention, AFR Control, resistance between motor lines, and PM motor control functions.

### ◆ n1: Hunting Prevention

Hunting Prevention prevents the drive from hunting as a result of low inertia and operating with light load. Hunting often occurs with a high carrier frequency and an output frequency below 30 Hz.

#### ■ n1-01: Hunting Prevention Selection

Enables or disables the Hunting Prevention function.

**Note:** This function is available only when using V/f Control. Disable Hunting Prevention when drive response is more important than suppressing motor oscillation. This function may be disabled without problems in applications with high inertia loads or relatively heavy loads.

No.	Name	Setting Range	Default
n1-01	Hunting Prevention Selection	0, 1	1

**Setting 0: Disabled**

**Setting 1: Enabled**

#### ■ n1-02: Hunting Prevention Gain Setting

Sets the gain for the Hunting Prevention Function.

No.	Name	Setting Range	Default
n1-02	Hunting Prevention Gain Setting	0.00 to 2.50	1.00

Although this parameter rarely needs to be changed, it may require adjustment in the following situations:

- If the motor vibrates while lightly loaded and n1-01 = 1, increase the gain by 0.1 until vibration ceases.
- If the motor stalls while n1-01 = 1, decrease the gain by 0.1 until the stalling ceases.

#### ■ n1-03: Hunting Prevention Time Constant

Determines the responsiveness of the Hunting Prevention function (affects the primary delay time for Hunting Prevention).

No.	Name	Setting Range	Default
n1-03	Hunting Prevention Time Constant	0 to 500 ms	Determined by o2-04

Although this parameter rarely needs to be changed, it may require adjustment in the following situations:

- Increase this value for applications with a large load inertia. A higher setting leads to slower response, which can result in oscillation at lower frequencies.
- Lower this setting if oscillation occurs at low speed.

#### ■ n1-05: Hunting Prevention Gain while in Reverse

This parameter functions the same as n1-02, except it is used when rotating in reverse. See the explanation for n1-02.

**Note:** n1-02 is enabled for forward and reverse operation when n1-05 = 0.0 ms.

No.	Name	Setting Range	Default
n1-05	Hunting Prevention Gain while in Reverse	0.00 to 2.50	0.00

### ◆ n2: Speed Feedback Detection Control (AFR) Tuning

These parameters help achieve speed stability when a load is suddenly applied or removed.

**Note:** Properly set all motor parameters or perform Auto-Tuning before making changes to the AFR parameters.

#### ■ n2-01: AFR Gain

Sets the internal speed feedback detection control gain in the AFR.

No.	Name	Setting Range	Default
n2-01	AFR Gain	0.00 to 10.00	1.00

Although this parameter rarely needs to be changed, it may require adjustment in the following situations:

- If hunting occurs, increase the setting value in steps of 0.05 while checking the response.
- If response is low, decrease the setting value in steps of 0.05 while checking the response.

#### ■ n2-02: AFR Time Constant 1

Sets the time constant normally used by AFR.

No.	Name	Setting Range	Default
n2-02	AFR Time Constant 1	0 to 2000 ms	50 ms

Although this parameter rarely needs to be changed, adjustment may be required in the following situations:

- If hunting occurs, increase the value. If response is low, decrease it.
- When setting the parameter to a higher value, increase C4-02, Torque Compensation Delay Time Constant 1, proportionally.

### ◆ n3: Overexcitation Braking

#### ■ Overexcitation Deceleration (Induction Motors)

Increases the flux during deceleration and allows shorter deceleration time settings. Enabled by setting L3-04 to 4. [Refer to L3-04: Stall Prevention Selection during Deceleration on page 287.](#)

##### Notes on Overexcitation Deceleration

- During Overexcitation Deceleration 2, Hunting Prevention in V/f Control and torque limits in OLV Control are disabled.
- Overexcitation Deceleration can be used in OLV and CLV, but it lowers the accuracy of Torque Control and braking efficiency. It can be most efficiently used in a V/f Control.
- Overexcitation Deceleration cannot be used with PM motors.

##### Parameter Adjustments

- When repetitive or long Overexcitation Deceleration causes motor overheat, lower the overexcitation gain (n3-13) and reduce the overslip suppression current level (n3-21).
- During Overexcitation Deceleration (L3-04 = 4), the drive decelerates at the active deceleration time (C1-02, C1-04, C1-06, or C1-08). Set this time so no overcurrent (oC) fault occurs.
- During Overexcitation Deceleration 2 (L3-04 = 5), the drive decelerates using the active deceleration time while adjusting the deceleration rate to keep the DC bus voltage at the level set to L3-17. The actual stopping time will be longer or shorter than the set deceleration time depending on the motor characteristics and the load inertia. Increase the deceleration time if overcurrent (oC) occurs.
- Entering a Run command during Overexcitation Deceleration cancels overexcitation operation and the drive reaccelerates to the specified speed.

#### ■ n3-13: Overexcitation Deceleration Gain

Multiplies a gain to the V/f pattern output value during Overexcitation Deceleration to determine the level of overexcitation. The drive returns to the normal V/f value after the motor has stopped or when it is accelerating to the frequency reference.

No.	Name	Setting Range	Default
n3-13	Overexcitation Deceleration Gain	1.00 to 2.00	1.10

The optimum setting for n3-13 depends on the motor flux saturation characteristics.

- Gradually increase the gain to 1.25 or 1.90 to improve the braking power of Overexcitation Deceleration.

- Lower n3-13 when flux saturation characteristics cause overcurrent. A high setting sometimes causes overcurrent (oC), motor overload (oL1), or drive overload (oL2).

### ◆ n5: Feed Forward Control

Enabling Feed Forward improves the responsiveness of the drive to speed reference changes in applications where a high speed control proportional gain setting (ASR gain, C5-01, C5-03) would lead to problems with overshoot, undershoot, or oscillation. *Figure 5.103* gives an example of overshoot reduction by Feed Forward. Parameters related to this function and the function principle are illustrated in *Figure 5.104*. Feed Forward can only be used in CLV, CLV/PM, or AOLV/PM (A1-02 = 4, 6, or 7).

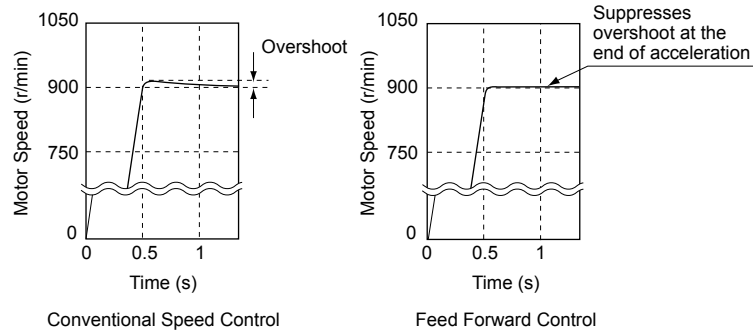


Figure 5.103 Overshoot Suppression by Feed Forward Control

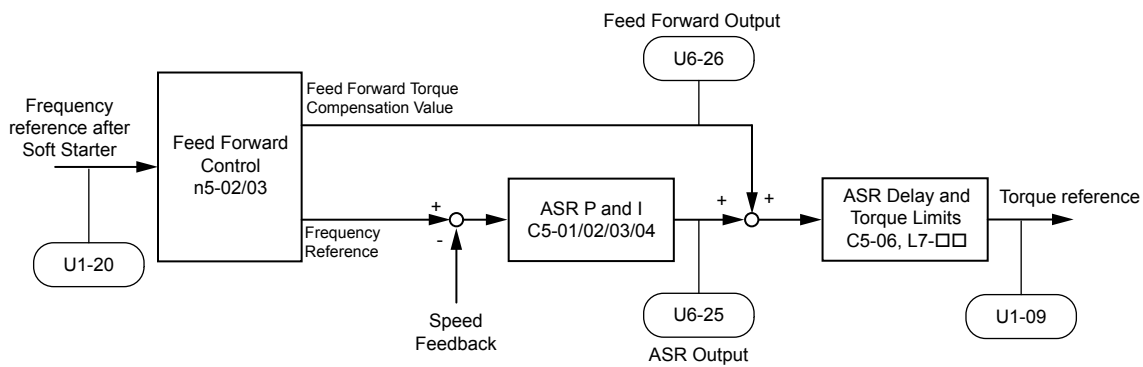


Figure 5.104 Feed Forward Control

- Note:**
1. Feed Forward can only be used in CLV, AOLV/PM, and CLV/PM control modes.
  2. Prior to using Feed Forward, always perform Auto-Tuning or manually enter the correct motor data. Perform ASR Auto-Tuning to set the speed loop gain (C5-01), or adjust it manually. Fine-tune the other speed control loop parameters (C5-□□) if required.
  3. If not restricted by the application, use Inertia Auto Tuning (T1-01 = 8) to automatically optimize Feed Forward parameters. If Inertia Auto Tuning cannot be performed, manually set parameters related to Feed Forward.

### ■ n5-01: Feed Forward Control Selection

Enables and disables the Feed Forward function.

No.	Name	Setting Range	Default
n5-01	Feed Forward Control Selection	0, 1	0

**Setting 0: Disabled**

**Setting 1: Enabled**

### ■ n5-02: Motor Acceleration Time

Sets the time required to accelerate the motor from a full stop to the rated speed at the rated torque.

No.	Parameter Name	Setting Range	Default
n5-02	Motor Acceleration Time	0.001 to 10.000 s	Determined by C6-01, E5-01 and o2-04

## 5.9 n: Special Adjustments

Set this value automatically with Inertia Auto-Tuning. If Inertia Auto-Tuning cannot be performed, use one of the following methods to determine the setting value for this parameter.

### Calculation

The motor acceleration time can be calculated by one of the following formulas:

$n5-02 = \frac{\pi \cdot J_{\text{Motor}} \cdot n_{\text{rated}}}{30 \cdot T_{\text{rated}}}$	<p>Where:</p> <ul style="list-style-type: none"> <li>• <math>J_{\text{Motor}}</math> is the motor inertia in <math>\text{kgm}^2</math>.</li> <li>• <math>n_{\text{rated}}</math> is the rated speed of the motor in <math>\text{r/min}</math>.</li> <li>• <math>T_{\text{rated}}</math> is the rated torque of the motor in <math>\text{N}\cdot\text{m}</math>.</li> </ul>
---	--

OR

$n5-02 = \frac{4 \cdot \pi \cdot J_{\text{Motor}} \cdot f_{\text{rated}}}{p \cdot T_{\text{rated}}}$	<p>Where:</p> <ul style="list-style-type: none"> <li>• <math>J_{\text{Motor}}</math> is the motor inertia in <math>\text{kgm}^2</math>.</li> <li>• <math>f_{\text{rated}}</math> is the rated frequency of the motor in <math>\text{Hz}</math>.</li> <li>• <math>p</math> is the number of motor poles (not pole pairs).</li> <li>• <math>T_{\text{rated}}</math> is the rated torque of the motor in <math>\text{N}\cdot\text{m}</math>.</li> </ul>
--	--

### Measuring Acceleration Time

Take the following steps when measuring the motor acceleration time:

1. Select the control mode; CLV (A1-02 = 3), AOLV/PM (A1-02 = 6), or CLV/PM (A1-02 = 7).
2. Decouple motor and load.
3. Perform Auto-Tuning or manually enter the correct motor data.
4. Properly set up the speed loop (ASR).
5. Set the acceleration time to zero.
6. Set the forward torque limit in parameter L7-01 to 100%.
7. Set the frequency reference equal to the motor rated speed.
8. While monitoring the motor speed in U1-05, start the motor in the forward direction and measure the time it takes to reach the rated speed.
9. Reverse the parameter settings above and set the measured time to parameter n5-02.

### ■ n5-03: Feed Forward Control Gain

Sets the inertia ratio of the load connected to the motor. This value can be set automatically by Inertia Auto-Tuning.

No.	Parameter Name	Setting Range	Default
n5-03	Feed Forward Control Gain	0.00 to 100.00	1.00

Set this value automatically with Inertia Auto-Tuning. If Inertia Auto Tuning cannot be performed, determine the value for parameter n5-03 using the following steps:

1. Select the control mode; CLV (A1-02 = 3), AOLV/PM (A1-02 = 6), or CLV/PM (A1-02 = 7).
2. Set parameter n5-02 correctly.
3. Couple motor and load.
4. Set the acceleration time in C1-01 to 0.
5. Set the torque limits in the L7-□□ parameters to a value that will easily be reached during the test ( $T_{\text{Lim\_Test}}$ ).
6. Set the frequency reference equal to a value in the upper speed range of the machine ( $f_{\text{ref\_Test}}$ ).
7. While monitoring the motor speed in U1-05, start the motor in the forward direction and measure the time it takes to reach the reference speed ( $t_{\text{accel}}$ ).
8. Reverse the parameter settings above and calculate the set value for parameter n5-03 using the formula below.

$n5-03 = \frac{t_{\text{accel}} \cdot T_{\text{Lim\_Test}} \cdot f_{\text{rated}}}{n5-02 \cdot f_{\text{ref\_Test}} \cdot 100} - 1$	<p>Where:</p> <ul style="list-style-type: none"> <li>• <math>t_{\text{accel}}</math> is the measured acceleration time in s.</li> <li>• <math>f_{\text{rated}}</math> is the rated frequency of the motor in <math>\text{Hz}</math>.</li> <li>• <math>T_{\text{Lim\_Test}}</math> is torque limit setting during the test (%).</li> <li>• <math>f_{\text{ref\_Test}}</math> is the frequency reference during the test in <math>\text{Hz}</math>.</li> </ul>
---	--

## ◆ n6: Online Tuning

Online Tuning prevents loss from insufficient torque and diminished speed control accuracy due to fluctuating motor temperature.

### ■ n6-01: Online Tuning Selection

Selects the type of motor data Online Tuning uses for OLV control.

No.	Name	Setting Range	Default
n6-01	Online Tuning Selection	0 to 2	0

#### Setting 0: Disabled

#### Setting 1: Line-to-line Resistance Tuning

This setting enables line-to-line resistance online tuning. This procedure is effective for speed values up to 6 Hz and improves the overload capacity in the low speed range by adjusting the value set for the motor resistance.

#### Setting 2: Voltage Correction

The drive adjusts the output voltage during run to improve overload tolerance and minimize the effects of high temperatures on speed accuracy.

**Note:** This setting can only be selected when the Energy Saving function is disabled (b8-01 = 0).

### ■ n6-05: Online Tuning Gain

Sets the compensation gain for the voltage correction in the Online Tuning function (n6-01 = 2).

Although this parameter rarely needs to be changed, increase the set value in steps of 0.1 if an overload fault occurs during voltage correction

No.	Name	Setting Range	Default
n6-05	Online Tuning Gain	0.1 to 50.0	1.0

## ◆ n8: PM Motor Control Tuning

These parameters adjust the control performance in the vector control modes for permanent magnet motors.

### ■ n8-01: Initial Rotor Position Estimation Current

Sets the current used for initial rotor position estimation as a percentage of the motor rated current (E5-03). If the motor nameplate lists an “Si” value, that value should be entered here. There is normally no need to change this parameter from the default value.

**Note:** This parameter is only available in AOLV/PM or CLV/PM.

No.	Name	Setting Range	Default
n8-01	Initial Rotor Position Estimation Current	0 to 100%	50%

### ■ n8-02: Pole Attraction Current

Sets the current that is applied to pull the rotor into position after the initial rotor position estimations are complete. The value is set as a percentage of the motor rated current. Increase this setting to increase the starting torque.

**Note:** This parameter is only available in AOLV/PM or CLV/PM.

No.	Name	Setting Range	Default
n8-02	Pole Attraction Current	0 to 150%	80%

### ■ n8-11: Induction Voltage Estimation Gain 2

Sets the gain for speed estimation. There is normally no need to change this parameter from the default value.

No.	Name	Setting Range	Default
n8-11	Induction Voltage Estimation Gain 2	0.0 to 1000.0	Determined by n8-72 <I>

<I> When n8-72 is set to 0, the default setting is 50.0 and when n8-72 is set to 1, the default setting is 150.0. [Refer to n8-14: Polarity Compensation Gain 3 on page 308](#) for a list of monitors.



## 5.9 n: Special Adjustments

### ■ n8-14: Polarity Compensation Gain 3

Sets the gain for speed estimation. There is normally no need to change this parameter from the default value.

No.	Name	Setting Range	Default
n8-14	Polarity Compensation Gain 3	0.000 to 10.000	1.000

### ■ n8-15: Polarity Compensation Gain 4

Sets the gain for speed estimation. There is normally no need to change this parameter from the default value.

No.	Name	Setting Range	Default
n8-15	Polarity Compensation Gain 4	0.000 to 10.000	0.500

### ■ n8-21: Motor Ke Gain

Sets the gain for speed estimation. There is normally no need to change this parameter from the default value.

No.	Name	Setting Range	Default
n8-21	Motor Ke Gain	0.80 to 1.00	0.90

### ■ n8-35: Initial Rotor Position Detection Selection

Selects how the rotor position is detected at start.

- Note:**
1. In CLV/PM, the drive performs a magnetic pole search the first time it starts the motor. After that, rotor position is calculated from the PG encoder signal and saved until the drive is switched off. Parameter n8-35 determines how this initial pole search operates.
  2. High Frequency Injection and pulse injection for rotor position detection (n8-35 = 1 or 2) can be used with IPM motors only. When using an SPM motor, select the pull in method to find the initial position of the rotor (n8-35 = 0).
  3. This parameter is only available in AOLV/PM or CLV/PM.

No.	Name	Setting Range	Default
n8-35	Initial Rotor Position Detection Selection	0 to 2	1

#### Setting 0: Pull In

Starts the rotor using pull-in current.

#### Setting 1: High Frequency Injection

High frequency is injected to detect the rotor position. Some noise may be generated from the motor at start.

#### Setting 2: Pulse Injection

A pulse signal is injected into the motor to detect the rotor position.

### ■ n8-36: High Frequency Injection Level

Sets the frequency level used for High Frequency Injection. Enabled when n8-57 = 1. There is normally no need to change this parameter from the default value.

No.	Name	Setting Range	Default
n8-36	High Frequency Injection Level	200 to 1000 Hz	500 Hz

### ■ n8-37: High Frequency Injection Amplitude

Sets the amplitude of high-frequency injection as a percentage of the voltage class standard (200 V Class: 200 V, 400 V Class: 400 V). Enabled when n8-57 = 1.

No.	Name	Setting Range	Default
n8-37	High Frequency Injection Amplitude	0.0 to 50.0%	20.0%

### ■ n8-39: Low Pass Filter Cutoff Frequency for High Frequency Injection

Sets a cutoff frequency of a low pass filter for high frequency injection. Enabled when n8-57 = 1. There is normally no need to change this parameter from the default value.

No.	Name	Setting Range	Default
n8-39	Low Pass Filter Cutoff Frequency for High Frequency Injection	0 to 1000 Hz	50 Hz



**■ n8-45: Speed Feedback Detection Control Gain (for PM Motors)**

Sets the gain for internal speed feedback detection control. Although this parameter rarely needs to be changed, adjustment may be necessary under the following conditions:

- Increase this setting if motor oscillation or hunting occurs.
- Decrease this setting in increments of 0.05 to decrease drive responsiveness.

**Note:** This parameter is only available in OLV/PM.

No.	Name	Setting Range	Default
n8-45	Speed Feedback Detection Control Gain (for PM Motors)	0.00 to 10.00	0.80

**■ n8-47: Pull-In Current Compensation Time Constant (for PM Motors)**

Sets the time constant for pull-in current to match the actual current.

Although this setting rarely needs to be changed, adjustment may be necessary under the following conditions:

- Increase this setting when it takes too long for the reference value of the pull-in current to match the target value.
- Decrease this setting if motor oscillation occurs.

**Note:** This parameter is only available in OLV/PM.

No.	Name	Setting Range	Default
n8-47	Pull-In Current Compensation Time Constant (for PM Motors)	0.0 to 100.0 s	5.0 s

**■ n8-48: Pull-In Current (for PM Motors)**

Sets the d-Axis current during no-load operation at a constant speed. Set as a percentage of the motor rated current (E5-03).

- Increase this setting when hunting occurs or the motor speed is unstable while running at a constant speed.
- Slightly reduce this value if there is too much current when driving a light load at a constant speed.

**Note:** This parameter is only available in OLV/PM.

No.	Name	Setting Range	Default
n8-48	Pull-In Current (for PM Motors)	20 to 200%	30%

**■ n8-49: d-Axis Current for High Efficiency Control (for PM Motors)**

Sets the d-Axis current reference when running with high load at constant speed. When using an IPM motor, this parameter uses the reluctance torque to increase the efficiency and reduce energy consumption. Set this parameter to 0 when using an SPM motor.

Although this setting rarely needs to be changed, adjustment may be necessary under the following conditions:

- Lower the setting if motor operation is unstable when driving heavy loads.
- If motor parameters (E5-□□) have been changed, this value will be reset to 0 and will require readjustment.

**Note:** This parameter is only available in OLV/PM.

No.	Name	Setting Range	Default
n8-49	d Axis Current for High Efficiency Control (for PM Motors)	-200.0 to 0.0%	Determined by E5-01

**■ n8-51: Acceleration/Deceleration Pull-In Current (for PM Motors)**

Sets the pull-in current during acceleration and deceleration as a percentage of the motor rated current (E5-03).

Adjustment may be necessary under the following conditions:

- Increase this setting when a large amount of starting torque is required.
- Lower this setting if there is excessive current during acceleration.

**Note:** This parameter is only available in OLV/PM.

No.	Name	Setting Range	Default
n8-51	Acceleration/Deceleration Pull-In Current (for PM Motors)	0 to 200%	50%

**■ n8-54: Voltage Error Compensation Time Constant**

Sets the time constant for voltage error compensation.

Adjustment may be necessary under the following conditions:

## 5.9 n: Special Adjustments

- Adjust the value when hunting occurs at low speed.
- Increase the value in steps of 0.1 when hunting occurs with sudden load changes. Set n8-51 to 0 to disable the compensation if increasing n8-54 does not help.
- Increase the value when oscillations occur at start.

**Note:** This parameter is only available in OLV/PM.

No.	Name	Setting Range	Default
n8-54	Voltage Error Compensation Time Constant	0.00 to 10.00	1.00

### ■ n8-55: Load Inertia

Sets the ratio between motor inertia and the inertia of the connected machinery. If this value is set too low, the motor may not start very smoothly and trigger an STo (Pull-Out Detection) fault.

Increase this setting for large inertia loads or to improve speed control response. A high setting with low inertia load may cause oscillation.

**Note:** This parameter is only available in OLV/PM.

No.	Name	Setting Range	Default
n8-55	Load Inertia	0 to 3	0

#### Setting 0: Below 1:10

The inertia ratio between the motor and the load is lower than 1:10.

#### Setting 1: Between 1:10 and 1:30

The inertia ratio between the motor and the load is between 1:10 and 1:30. Set n8-55 to 1 if an STo fault occurs as a result of impact load or sudden acceleration/deceleration when n8-55 = 0.

#### Setting 2: Between 1:30 and 1:50

The inertia ratio between the motor and the load is between 1:30 and 1:50. Set n8-55 to 2 if an STo fault occurs as a result of impact load or sudden acceleration/deceleration when n8-55 = 1.

#### Setting 3: Beyond 1:50

The inertia ratio between the motor and the load is higher than 1:50. Set n8-55 to 3 if an STo fault occurs as a result of impact load or sudden acceleration/deceleration when n8-55 = 2.

### ■ n8-57: High Frequency Injection

Injects a high frequency into the motor to detect motor speed.

**Note:** This parameter is only available in AOLV/PM.

No.	Name	Setting Range	Default
n8-57	High Frequency Injection	0, 1	0

#### Setting 0: Disabled

Disable n8-57 with SPM motors. The speed control range will be limited to approximately 1:20.

#### Setting 1: Enabled

Enable n8-57 with IPM motors. This allows precise speed detection in a speed control range of approximately 1:100.

- Note:**
1. This function generates some audible noise in the motor up to a certain speed.
  2. Set E1-09 to 0.0 when using zero speed control.

### ■ n8-62: Output Voltage Limit (for PM Motors)

Sets the output voltage limit to prevent voltage saturation. Do not set this value higher than the actual input voltage.

**Note:** This parameter is only available in OLV/PM, AOLV/PM, and CLV/PM.

No.	Name	Setting Range	Default
n8-62	Output Voltage Limit (for PM Motors)	0.0 to 250.0 Vac </>	200 Vac </>

</> Values shown are specific to 200 V class drives. Double value for 400 V class drives.

### ■ n8-69: Speed Calculation Gain

Sets the proportional gain for Phase Locked Loop (PLL) control of an extended observer.

There is normally no need to change this parameter from the default value.

No.	Name	Setting Range	Default
n8-69	Speed Calculation Gain	0.00 to 20.00	1.00

### ■ n8-72: Speed Estimation Method Selection

Sets the method of the speed estimation. There is normally no need to change this parameter from the default value.

No.	Name	Setting Range	Default
n8-72	Speed Estimation Method Selection	0, 1	1

#### Setting 0: Conventional Method

#### Setting 1: 1000-Series Method

### ■ n8-84: Initial Polarity Estimation Timeout Current

Sets the current to determine polarity for the initial polarity calculation as a percentage of the motor rated current.

Set the value in % unit (E5-03 = 100%)

- Note:**
1. This parameter is only available in AOLV/PM and CLV/PM.
  2. If an "Si" value is listed on a Yaskawa motor nameplate, set n8-84 to "Si" value x 2.

No.	Name	Setting Range	Default
n8-84	Initial Polarity Estimation Timeout Current	0 to 150%	100%

### Judging Polarity and Motor Pole Position

If operating in AOLV/PM (A1-02 = 6) or CLV/PM (A1-02 = 7), the drive determines motor polarity by performing initial polarity estimation when it starts the motor (this is done only the first time the motor is started when using CLV/PM).

The drive may begin operating in the wrong direction if it determines motor polarity incorrectly as the opposite direction of the Run command.

Monitor U6-57 displays the deviation from the integrated current, making it possible to see if initial polarity estimation has successfully determined the motor polarity.

## 5.10 o: Operator Related Settings

These parameters control the various functions, features, and display of the digital operator.

### ◆ o1: Digital Operator Display Selection

These parameters determine the data display on the digital operator.

#### ■ o1-01: Drive Mode Unit Monitor Selection

When o1-02 is set to 5, any U monitors can be displayed. This parameter will select the monitors. Pressing the up arrow key will display the following data: frequency reference → rotational direction → output frequency → output current → o1-01 selection.

Parameter o1-01 selects the content of the last monitor in this sequence. This is done by entering the “1□□” part of “U1-□□”. Certain monitors are not available in some control modes. There is no effect like this on an LCD operator.

No.	Name	Setting Range	Default
o1-01	Drive Mode Unit Monitor Selection	104 to 914 U1-04 (Control Mode) to U9-14 (Power Monitor) </>	106 (U1-06)

<1> U2-□□ and U3-□□ parameters cannot be selected.

#### ■ o1-02: User Monitor Selection after Power Up

Selects which monitor parameter is displayed upon power up. *Refer to U: Monitor Parameters on page 319* for a list of monitors.

No.	Name	Setting Range	Default
o1-02	User Monitor Selection after Power Up	1 to 5	1

#### Setting 1: Frequency Reference (U1-01)

#### Setting 2: Motor Direction

#### Setting 3: Output Frequency (U1-02)

#### Setting 4: Output Current (U1-03)

#### Setting 5: User-selected Monitor (Set by o1-01)

#### ■ o1-03: Digital Operator Display Selection

Sets the units used to display the frequency reference and output frequency. Set o1-03 to 3 for user-set units before setting parameters o1-10 and o1-11.

No.	Name	Setting Range	Default
o1-03	Digital Operator Display Selection	0 to 3	Determined by A1-02

#### Setting 0: 0.01 Hz Units

#### Setting 1: 0.01% Units (100% = Max. Output Frequency)

#### Setting 2: r/min Units (Calculated by the Max. Output Frequency and the No. of Motor Poles)

#### Setting 3: User-set Units (Use o1-10, o1-11)

Set the value used for the maximum frequency reference to o1-10. Set the placement of the decimal point in this number to o1-11.

For example, to have the maximum output frequency displayed as “100.00”, set o1-10 = 1000 and o1-11 = 2 (i.e., 1000 with 2 decimal points).

**Note:** 1. Parameter o1-03 allows the programmer to change the units used in the following parameters and monitors:  
U1-01: frequency reference  
U1-02: output frequency

U1-05: motor speed  
 U1-16: output frequency after softstarter (accel/decel ramp generator)  
 d1-01 to d1-17: frequency references

- Setting o1-03 to 2 requires entering the number of motor poles to E2-04, E4-04, and E5-04.

### ■ o1-04: V/f Pattern Display Unit

Determines the units used for the frequency reference when setting parameters that create the V/f pattern: E1-04, E1-06, E1-09, E1-11, and E2-04. For motor 2, this includes parameters E3-04, E3-06, E3-07, E3-09, and E3-11. Enabled only in vector control modes (CLV, AOLV/PM, CLV/PM).

No.	Name	Setting Range	Default
o1-04	V/f Pattern Display Unit	0, 1	0

#### Setting 0: Hertz

#### Setting 1: r/min

**Note:** For motor 2, o1-04 can only be set to 0 for Hertz.

### ■ o1-05: LCD Contrast Control

Sets the brightness of the digital operator. The lower the setting, the brighter the LCD contrast. The higher the setting, the darker the LCD contrast.

No.	Name	Setting Range	Default
o1-05	LCD Contrast Control	0 to 5	3

### ■ o1-10: User-Set Display Units Maximum Value

Determines the display value that is equal to the maximum output frequency.

No.	Name	Setting Range	Default
o1-10	User-Set Display Units Maximum Value	1 to 60000	Determined by o1-03

### ■ o1-11: User-Set Display Units Decimal Display

Determines how many decimal points should be used to set and display the frequency reference.

No.	Name	Setting Range	Default
o1-11	User-Set Display Units Decimal Display	0 to 3	Determined by o1-03

#### Setting 0: No Decimal Point

#### Setting 1: One Decimal Point

#### Setting 2: Two Decimal Points

#### Setting 3: Three Decimal Points

### ◆ o2: Digital Operator Keypad Functions

These parameters determine the functions assigned to the operator keys.

### ■ o2-01: LO/RE (LOCAL/REMOTE) Key Function Selection

Determines whether the LO/RE key on the digital operator will be enabled for switching between LOCAL and REMOTE.

No.	Name	Setting Range	Default
o2-01	LO/RE Key Function Selection	0, 1	1

#### Setting 0: Disabled

The LO/RE key is disabled.

#### Setting 1: Enabled

The LO/RE switches between LOCAL and REMOTE operation. Switching is possible during stop only. When LOCAL is selected, the LED indicator on the LO/RE key will light up.

## 5.10 o: Operator Related Settings

**WARNING! Sudden Movement Hazard.** The drive may start unexpectedly if the Run command is already applied when switching from LOCAL mode to REMOTE mode when b1-07 = 1, resulting in death or serious injury. Check all mechanical or electrical connections thoroughly before making any setting changes to o2-01 and b1-07. [Table 5.43](#) lists the setting combinations for o2-01 and b1-07.

Table 5.43 LO/RE Key and b1-07

o2-01	b1-07	Switch from LOCAL to REMOTE	Switch from REMOTE to LOCAL
0	0	Not possible	Not possible
	1	Not possible	Not possible
1	0	Will not run until a new Run command is entered.	Run not possible
	1	If a Run command is entered, the drive will start running as soon as the LO/RE key is pushed to change from LOCAL to REMOTE.	Run not possible

### ■ o2-02: STOP Key Function Selection

Determines if the STOP key on the digital operator will stop drive operation when the drive is controlled from a remote source (i.e., not from digital operator).

No.	Name	Setting Range	Default
o2-02	STOP Key Function Selection	0, 1	1

#### Setting 0: Disabled

#### Setting 1: Enabled

The STOP key will terminate drive operation even if the Run command source is not assigned to the digital operator. Cycle the Run command to restart the drive if the drive has been stopped by pressing the STOP key.

### ■ o2-03: User Parameter Default Value

After completely setting up drive parameters, save the values as user-set defaults with parameter o2-03. After saving the values, parameter A1-03 (Initialize Parameters) will offer the choice of "1110: User Initialize". Selecting 1110 resets all parameters to the user-set default values. [Refer to A1-03: Initialize Parameters on page 153](#) for details on drive initialization.

No.	Name	Setting Range	Default
o2-03	User Parameter Default Value	0 to 2	0

#### Setting 0: No Change (Awaiting Command)

#### Setting 1: Set User Initialize Values

The current parameter settings are saved as user-set default for a later User Initialization. Setting o2-03 to 1 and pressing the ENTER key saves the values and returns the display to 0.

#### Setting 2: Clear User Initialize Values

All user-set defaults for "User Initialize" are cleared. Setting o2-03 to 2 and pressing the ENTER key erases the values and returns the display to 0.

### ■ o2-04: Drive Model Selection

Set this parameter when replacing the control board or the terminal board. [Refer to Defaults by Drive Model and Duty Rating ND/HD on page 536](#) for information on drive model selection.

**NOTICE:** Drive performance will suffer and protective functions will not operate properly if the correct drive capacity is not set to o2-04.

No.	Name	Setting Range	Default
o2-04	Drive Model Selection	-	Determined by drive capacity

**Note:** Change o2-04 setting only when necessary.

### ■ o2-05: Frequency Reference Setting Method Selection

Determines if the ENTER key must be pressed after changing the frequency reference using the digital operator while in the Drive Mode.

No.	Name	Setting Range	Default
o2-05	Frequency Reference Setting Method Selection	0, 1	0

**Setting 0: ENTER Key Required**

The ENTER key must be pressed every time the frequency reference is changed using the digital operator for the drive to accept the change.

**Setting 1: ENTER Key Not Required**

The output frequency changes immediately when the reference is changed by the up or down arrow keys on the digital operator. The ENTER key does not need to be pressed. The frequency reference (Fref) is saved to memory after remaining unchanged for 5 seconds.

**■ o2-06: Operation Selection when Digital Operator is Disconnected**

Determines whether the drive will stop when the digital operator is removed in LOCAL mode or when b1-02 or b1-16 is set to 0. When the operator is reconnected, the display will indicate that it was disconnected.

No.	Name	Setting Range	Default
o2-06	Digital Operator Disconnection Operation	0, 1	1

**Setting 0: Continue Operation**

The operation continues.

**Setting 1: Trigger a Fault**

The operation stops and triggers an oPr fault. The motor coasts to stop.

**■ o2-07: Motor Direction at Power Up when Using Operator**

Determines the direction the motor will rotate after the drive is powered up and the Run command is given from the digital operator.

**Note:** This parameter is effective only when the Run command is set to be given from the digital operator (b1-02, b1-16 = 0).

No.	Name	Setting Range	Default
o2-07	Motor Direction at Power Up when Using Operator	0, 1	0

**Setting 0: Forward****Setting 1: Reverse****◆ o3: Copy Function**

These parameters control the Copy function of the digital operator. The Copy function stores parameter settings into the memory of the digital operator to facilitate the transfer of those settings to other drives that are the same model, capacity, and same control mode setting. *Refer to Copy Function Related Displays on page 369* for a description of errors and displays.

**■ o3-01: Copy Function Selection**

Instructs the drive to Read, Write, or Verify parameter settings.

No.	Name	Setting Range	Default
o3-01	Copy Function Selection	0 to 3	0

**Setting 0: Copy Select (No Function)****Setting 1: INV --> OP READ**

Copies all parameters from the drive to the digital operator.

**Note:** Set o3-02 to 1 to unlock copy protection.

**Setting 2: OP --> INV WRITE**

Copies all parameters from the digital operator to the drive.

**Setting 3: OP<-->INV VERIFY**

Compares the parameters in the drive with the parameter settings saved on the digital operator for matches.



## 5.10 o: Operator Related Settings

### ■ o3-02: Copy Allowed Selection

Allows and restricts the use of the Copy function.

No.	Name	Setting Range	Default
o3-02	Copy Allowed Selection	0, 1	0

**Setting 0: Disabled**

**Setting 1: Enabled**

### ◆ o4: Maintenance Monitor Settings

#### ■ o4-01: Cumulative Operation Time Setting

Sets the cumulative operation time of the drive. The user can also manually set this parameter to begin keeping track of operation time from some desired value. Total operation time can be viewed in monitor U4-01.

**Note:** The value in o4-01 is set in 10 h units. For example, a setting of 30 will set the cumulative operation time counter to 300 h. 300 h will also be displayed in monitor U4-01.

No.	Name	Setting Range	Default
o4-01	Cumulative Operation Time Setting	0 to 9999	0

#### ■ o4-02: Cumulative Operation Time Selection

Selects the conditions for how the drive keeps track of its total operation time. This time log can be viewed in monitor U4-01.

No.	Name	Setting Range	Default
o4-02	Cumulative Operation Time Selection	0, 1	0

**Setting 0: Power On Time**

The drive logs the time it is connected to a power supply, regardless of whether the motor is running.

**Setting 1: Run Time**

The drive logs the time that the output is active including when the Run command is active (even if the motor is not rotating) and when there is voltage output.

#### ■ o4-03: Cooling Fan Operation Time Setting

Sets the value for how long the cooling fan has been operating. This value can be viewed in monitor U4-03. Parameter o4-03 also sets the base value used for the cooling fan maintenance, which is displayed in U4-04. Reset this parameter to 0 after replacing the cooling fan.

- Note:**
1. The value in o4-03 increases after every 10 hours of use. A setting of 30 will set the cooling fan operation time counter to 300 h. “300” will be displayed in monitor U4-03.
  2. The cooling fan may require maintenance at an earlier date in harsher environments.

No.	Name	Setting Range	Default
o4-03	Cooling Fan Operation Time Setting	0 to 9999	0

#### ■ o4-05: Capacitor Maintenance Setting

Sets value of the maintenance monitor for the DC bus capacitors displayed in U4-05 as a percentage of the total expected performance life. Reset this value to 0 after replacing the DC bus capacitors.

**Note:** The actual maintenance time will depend on the environment where the drive is used.

No.	Name	Setting Range	Default
o4-05	Capacitor Maintenance Setting	0 to 150%	0%

#### ■ o4-07: DC Bus Pre-Charge Relay Maintenance Setting

Sets the value of the softcharge bypass relay maintenance time displayed in U4-06 as a percentage of the total expected performance life. Reset this value to 0 after replacing the bypass relay.

**Note:** The actual maintenance time will depend on the environment where the drive is used.

No.	Name	Setting Range	Default
o4-07	DC Bus Pre-charge Relay Maintenance Setting	0 to 150%	0%



### ■ o4-11: U2, U3 Initialization

Resets the fault trace and fault history monitors (U2-□□ and U3-□□).

**Note:** Initializing the drive using A1-03 does not reset these monitors.

No.	Name	Setting Range	Default
o4-11	U2, U3 Initialization	0, 1	0

#### Setting 0: No Action

The drive keeps the previously saved record concerning fault trace and fault history.

#### Setting 1: Reset Fault Data

Resets the data for the U2-□□ and U3-□□ monitors. Setting o4-11 to 1 and pressing the ENTER key erases fault data and returns the display to 0.

### ■ o4-12: kWh Monitor Initialization

Resets the electric power (U9-01 to U9-03) and regenerative power (U9-04 to U9-06). Resets electric power rate (U9-07 to U9-10) and regenerative power rate (U9-11 to U9-14).

No.	Name	Setting Range	Default
o4-12	kWh Monitor Initialization	0, 1	0

#### Setting 0: No Action

#### Setting 1: Reset kWh Data

### ■ o4-13: Number of Run Commands Counter Initialization

Resets the Run command counter displayed in U4-02. Initializing the drive or cycling the power does not reset this monitor.

No.	Name	Setting Range	Default
o4-13	Number of Run Commands Counter Initialization	0, 1	0

#### Setting 0: No Action

The Run command data are kept.

#### Setting 1: Number of Run Commands Counter

Resets the Run command counter. The monitor U4-02 will show 0. Setting o4-13 to 1 and pressing the ENTER key erases the counter value and returns the display to 0.

### ■ o4-19: Power Unit Price

Sets the price per 1 kWh to calculate the power rate displayed for total consumed power (U9-07 to U9-10) and total regenerated power (U9-11 to U9-14).

No.	Name	Setting Range	Default
o4-19	Power Unit Price	0.00 to 650.00	000.00

### ◆ q: DriveWorksEZ Parameters

These parameters are reserved for use with DriveWorksEZ. Refer to the DriveWorksEZ manual for more information.

#### ■ q1-01 to q6-07: Reserved for Use by DriveWorksEZ

These parameters are reserved for use with DriveWorksEZ. Refer to the DriveWorksEZ manual for more information.

### ◆ r: DriveWorksEZ Connection Parameters

These parameters are reserved for use with DriveWorksEZ. Refer to the DriveWorksEZ manual for more information.

#### ■ r1-01 to r1-40: DriveWorksEZ Connection Parameters

These parameters are reserved for use with DriveWorksEZ. Refer to the DriveWorksEZ manual for more information.

### ◆ T: Motor Tuning

Auto-Tuning automatically sets and tunes parameters required for optimal motor performance.

## 5.10 o: Operator Related Settings

---

*Refer to Auto-Tuning on page 130* for details on Auto-Tuning parameters.

## 5.11 U: Monitor Parameters

Monitor parameters let the user view various aspects of drive performance using the digital operator display. Some monitors can be output from terminals FM and AM by assigning the specific monitor parameter number (U□-□□) to H4-01 and H4-04. *Refer to H4-01, H4-04: Multi-Function Analog Output Terminal FM, AM Monitor Selection on page 273* for details on assigning functions to an analog output.

### ◆ U1: Operation Status Monitors

Status monitors display drive status data such as output frequency and output current. *Refer to U1: Operation Status Monitors on page 519* for a complete list of U1-□□ monitors and descriptions.

### ◆ U2: Fault Trace

Use these monitor parameters to view the status of various drive aspects when a fault occurs.

This information is helpful for determining the cause of a fault. *Refer to U2: Fault Trace on page 521* for a complete list of U2-□□ monitors and descriptions.

U2-□□ monitors are not reset when the drive is initialized. *Refer to o4-11: U2, U3 Initialization on page 317* for instructions on how to reset these monitor values.

**Note:** Fault histories are not kept when CPF00, CPF01, CPF06, CPF24, Fdv, oFA00, oFb00, oFC00, Uv1, or Uv2 occur.

### ◆ U3: Fault History

These parameters display faults that have occurred during operation as well as the drive operation time when those faults occurred. *Refer to U3: Fault History on page 523* for a complete list of U3-□□ monitors and descriptions.

U3-□□ monitors are not reset when the drive is initialized. *Refer to o4-11: U2, U3 Initialization on page 317* for instructions on how to reset these monitor values.

**Note:** Fault histories are not kept when CPF00, CPF01, CPF06, CPF24, Fdv, oFA00, oFb00, oFC00, Uv1, or Uv2 occur.

### ◆ U4: Maintenance Monitors

Maintenance monitors show:

- Runtime data of the drive and cooling fans and number of Run commands issued
- Maintenance data and replacement information for various drive components
- kWh data
- Highest peak current that has occurred and output frequency at the time the peak current occurred
- Motor overload status information
- Detailed information about the present Run command and frequency reference source selection

*Refer to U4: Maintenance Monitors on page 523* for a complete list of U4-□□ monitors and descriptions.

### ◆ U5: PID Monitors

These monitors display various aspects of PID control. *Refer to PID Block Diagram on page 179* for details on how these monitors display PID data.

*Refer to U5: PID Monitors on page 525* for a complete list of U5-□□ monitors and descriptions.

### ◆ U6: Operation Status Monitors

Control monitors show:

- Reference data for the output voltage and vector control
- Data on PM motor rotor synchronization, forward phase compensation, and flux positioning
- Pulse data from the PG motor encoder
- Pulse data for Zero Servo control
- ASR and Feed Forward control monitors

Refer to *Figure 5.36* and *Figure 5.37* on page 197 for details and an illustration showing where monitors are located in the ASR block.

## 5.11 U: Monitor Parameters

---

- The offset value added to the frequency reference by the frequency offset function. *Refer to Setting 44, 45, 46: Offset Frequency 1, 2, 3 on page 254.*
  - The bias value added to the frequency reference by the Up/Down 2 function (see *Setting 75, 76: Up 2/Down 2 Function*) *Refer to U6: Operation Status Monitors on page 526* for a complete list of U6-□□ monitors and descriptions.
- 

### ◆ U8: DriveWorksEZ Monitors

These monitors are reserved for use with DriveWorksEZ.

A complete description of the U8-□□ monitors can be found in the DriveWorksEZ instruction manual.

---

### ◆ U9: Power Monitors

The total consumed power and regenerated power are displayed for these parameters. *Refer to U9: Power Monitors on page 528* for a complete list of U9-□□ monitors and descriptions.

# Troubleshooting

---

This chapter provides descriptions of the drive faults, alarms, errors, related displays, and guidance for troubleshooting. This chapter can also serve as a reference guide for tuning the drive during a trial run.

<b>6.1</b>	<b>SECTION SAFETY.....</b>	<b>322</b>
<b>6.2</b>	<b>MOTOR PERFORMANCE FINE-TUNING.....</b>	<b>324</b>
<b>6.3</b>	<b>DRIVE ALARMS, FAULTS, AND ERRORS.....</b>	<b>330</b>
<b>6.4</b>	<b>FAULT DETECTION.....</b>	<b>335</b>
<b>6.5</b>	<b>ALARM DETECTION.....</b>	<b>351</b>
<b>6.6</b>	<b>OPERATOR PROGRAMMING ERRORS.....</b>	<b>360</b>
<b>6.7</b>	<b>AUTO-TUNING FAULT DETECTION.....</b>	<b>364</b>
<b>6.8</b>	<b>COPY FUNCTION RELATED DISPLAYS.....</b>	<b>369</b>
<b>6.9</b>	<b>DIAGNOSING AND RESETTING FAULTS.....</b>	<b>371</b>
<b>6.10</b>	<b>TROUBLESHOOTING WITHOUT FAULT DISPLAY.....</b>	<b>374</b>

## 6.1 Section Safety

### DANGER

#### Electrical Shock Hazard

**Before servicing, disconnect all power to the equipment.**

The capacitor for the control power supply remains charged even after the power supply is turned off. The charge indicator LED will extinguish when the control power supply voltage is below 50 Vdc. To prevent electric shock, wait for at least the time specified on the warning label, once all indicators are OFF, measure for unsafe voltages to confirm the drive is safe prior to servicing.

Failure to comply will result in death or serious injury.

### WARNING

#### Electrical Shock Hazard

**Do not operate equipment with covers removed.**

Failure to comply could result in death or serious injury.

The diagrams in this section may illustrate drives without covers or safety shields to display details. Be sure to reinstall covers or shields before operating the drives and run the drives according to the instructions described in this manual.

**Always ground the motor-side grounding terminal.**

Improper equipment grounding could result in death or serious injury by contacting the motor case.

**Do not touch terminals before the drive has fully discharged.**

Failure to comply could result in death or serious injury.

Before servicing, disconnect all power to the equipment. The capacitor for the control power supply remains charged even after the power supply is turned off. The charge indicator LED will extinguish when the control power supply voltage is below 50 Vdc. To prevent electric shock, wait for at least the time specified on the warning label; after all indicators are OFF, measure for unsafe voltages to confirm the drive is safe prior to servicing.

**After blowing a fuse or tripping a GFCI, do not attempt to restart the drive or operate peripheral devices until five minutes pass and CHARGE lamp is OFF.**

Failure to comply could result in death, serious injury, and damage to the drive.

Check wiring and peripheral device ratings to identify the cause of trips.

Contact your supplier if the cause cannot be identified.

**Do not allow unqualified personnel to perform work on the drive.**

Failure to comply could result in death or serious injury.

Installation, maintenance, inspection, and service must be performed only by authorized personnel familiar installation, adjustment, and maintenance of drives.

**Do not perform work on the drive while wearing loose clothing, jewelry, or without eye protection.**

Failure to comply could result in death or serious injury.

Remove all metal objects such as watches and rings, secure loose clothing and wear eye protection before beginning work on the drive.

**Do not remove covers or touch circuit boards while the power is on.**

Failure to comply could result in death or serious injury.

**⚠ WARNING****Fire Hazard****Tighten all terminal screws to the specified tightening torque.**

Loose electrical connections could result in death or serious injury by fire due to overheating of electrical connections.

**Do not use an improper voltage source.**

Failure to comply could result in death or serious injury by fire.

Verify that the rated voltage of the drive matches the voltage of the incoming drive input power before applying power.

**Do not use improper combustible materials.**

Failure to comply could result in death or serious injury by fire.

Attach the drive to metal or other noncombustible material.

**NOTICE****Observe proper electrostatic discharge procedures (ESD) when handling the drive and circuit boards.**

Failure to comply may result in ESD damage to the drive circuitry.

**Never connect or disconnect the motor from the drive while the drive is outputting voltage.**

Improper equipment sequencing could result in damage to the drive.

**Do not use unshielded cable for control wiring.**

Failure to comply may cause electrical interference resulting in poor system performance. Use shielded twisted-pair wires and ground the shield to the ground terminal of the drive.

**Do not allow unqualified personnel to use the product.**

Failure to comply could result in damage to the drive.

Installation, maintenance, inspection, and service must be performed only by authorized personnel familiar installation, adjustment, and maintenance of drives.

**Do not modify the drive circuitry.**

Failure to comply could result in damage to the drive and will void warranty.

Yaskawa is not responsible for modification of the product made by the user.

**Check all the wiring after installing the drive and connecting other devices to ensure that all connections are correct.**

Failure to comply could result in damage to the drive.

## 6.2 Motor Performance Fine-Tuning

This section offers helpful information for counteracting oscillation, hunting, and other problems that occur while performing a trial run. Refer to the section below that corresponds to the motor control method used.

**Note:** This section describes commonly edited parameters that may be set incorrectly. Consult Yaskawa for more information on detailed settings and for fine-tuning the drive.

### ◆ Fine-Tuning V/f Control and V/f Control with PG

Table 6.1 Parameters for Fine-Tuning Performance in V/f and V/f w/PG

Problem	Parameter No.	Corrective Action	Default	Suggested Setting
Motor hunting and oscillation at speeds between 10 and 40 Hz	Hunting Prevention Gain Setting (n1-02)	<ul style="list-style-type: none"> <li>Reduce the setting if insufficient motor torque relative to the size of the load causes hunting.</li> <li>Increase the setting when motor hunting and oscillation occur with a light load.</li> <li>Reduce the setting if hunting occurs when using a motor with a relatively low inductance, such as a high-frequency motor or a motor with a larger frame size.</li> </ul>	1.00	0.10 to 2.00
<ul style="list-style-type: none"> <li>Motor noise</li> <li>Motor hunting and oscillation at speeds up to 40 Hz</li> </ul>	Carrier Frequency Selection (C6-02)	<ul style="list-style-type: none"> <li>Increase the carrier frequency If the motor noise is too loud.</li> <li>Lower the carrier frequency when motor hunting and oscillation occur at speeds up to 40 Hz.</li> <li>The default setting for the carrier frequency depends on the drive model selection (o2-04) and the drive duty mode selection (C6-01).</li> </ul>	1 (4 kHz)	1 to max. setting
<ul style="list-style-type: none"> <li>Poor torque or speed response</li> <li>Motor hunting and oscillation</li> </ul>	Torque Compensation Primary Delay Time (C4-02)	<ul style="list-style-type: none"> <li>Reduce the setting if motor torque and speed response are too slow.</li> <li>Increase the setting if motor hunting and oscillation occur.</li> </ul>	200 ms	100 to 1000 ms
<ul style="list-style-type: none"> <li>Poor motor torque at speeds below 10 Hz</li> <li>Motor hunting and oscillation</li> </ul>	Torque Compensation Gain (C4-01)	<ul style="list-style-type: none"> <li>Increase the setting if motor torque is insufficient at speeds below 10 Hz.</li> <li>Reduce the setting if motor hunting and oscillation with a relatively light load.</li> </ul>	1.00	0.50 to 1.50
<ul style="list-style-type: none"> <li>Poor motor torque at low speeds</li> <li>Motor instability at motor start</li> </ul>	Middle Output Frequency Voltage (E1-08) Minimum Output Frequency Voltage (E1-10)	<ul style="list-style-type: none"> <li>Increase the setting if motor torque is insufficient at speeds below 10 Hz.</li> <li>Reduce the setting If motor instability occurs at motor start.</li> </ul>	Depends on o2-04, Drive Model Selection	Default setting ±5 V
Poor speed precision (V/f control)	Slip Compensation Gain (C3-01)	Set the motor-rated current (E2-01), motor-rated slip (E2-02), and motor no-load current (E2-03), then adjust the slip compensation gain (C3-01).	0.0 (no slip compensation)	0.5 to 1.5
Poor speed precision (V/f control with PG)	ASR Proportional Gain 1 (C5-01) ASR Integral Time 1 (C5-02) <1> <2>	Adjust the ASR proportional gain 1 (C5-01) and the ASR integral time 1 (C5-02).	C5-01: 0.20 C5-02: 0.200 s	Proportional gain = 0.10 to 1.00 Integral time = 0.100 to 2.000 s

<1> ASR in V/f Control with PG only controls the output frequency, and does not allow the same high gain settings as CLV control.

<2> Refer to C5: Automatic Speed Regulator (ASR) on page 197 for details on ASR.



## ◆ Fine-Tuning Open Loop Vector Control

Table 6.2 Parameters for Fine-Tuning Performance in OLV

Problem	Parameter No.	Corrective Action	Default	Suggested Setting
<ul style="list-style-type: none"> <li>Poor motor torque and speed response</li> <li>Motor hunting and oscillation at speeds between 10 and 40 Hz</li> </ul>	Speed Feedback Detection Control (AFR) Gain (n2-01)	<ul style="list-style-type: none"> <li>Gradually reduce the setting in 0.05 increments if motor torque and speed response are too slow.</li> <li>Gradually increase the setting in 0.05 increments if motor hunting and oscillation occur.</li> </ul>	1.00	0.50 to 2.00
<ul style="list-style-type: none"> <li>Poor motor torque and speed response</li> <li>Motor hunting and oscillation at speeds between 10 and 40 Hz</li> </ul>	Speed Feedback Detection Control (AFR) Time Constant 1 (n2-02)	<ul style="list-style-type: none"> <li>Gradually reduce the setting in 10 ms increments and check the performance to improve motor torque speed response.</li> <li>Gradually increase the setting by 50 ms increments and check the performance if motor hunting and oscillation occur as a result of load inertia.</li> </ul> <p><b>Note:</b> When changing n2-02, set C4-02 (Torque Compensation Primary Delay Time) accordingly.</p>	50 ms	50 to 2000 ms
<ul style="list-style-type: none"> <li>Poor motor torque and speed response</li> <li>Motor hunting and oscillation</li> </ul>	Torque Compensation Primary Delay Time (C4-02)	<ul style="list-style-type: none"> <li>Gradually reduce the setting in 2 ms increments and check the performance to improve motor torque speed response.</li> <li>Gradually increase the setting in 10 ms increments if motor hunting and oscillation occur.</li> </ul> <p><b>Note:</b> Ensure that <math>C4-02 \leq C4-06</math>. When making adjustments to C4-02, increase the Speed Feedback Detection Control (AFR) Time Constant 1 (n2-02) proportionally.</p>	20 ms	20 to 100 ms
Poor speed response and stability	Slip Compensation Primary Delay Time (C3-02)	<ul style="list-style-type: none"> <li>Gradually reduce the setting in 10 ms increments if response is slow.</li> <li>Gradually increase the setting in 10 ms increments if speed is unstable.</li> </ul>	200 ms	100 to 500 ms
Poor speed precision	Slip Compensation Gain (C3-01)	<ul style="list-style-type: none"> <li>Gradually increase the setting in 0.1 ms increments if speed is too slow.</li> <li>Gradually reduce the setting in 0.1 ms increments if speed is too fast.</li> </ul>	1.0	0.5 to 1.5
Poor speed precision during regenerative operation	Slip Compensation Selection during Regeneration (C3-04)	Enable slip compensation during regeneration by setting parameter C3-04 = 1.	0	1
<ul style="list-style-type: none"> <li>Motor noise</li> <li>Motor hunting and oscillation occur at speeds below 10 Hz</li> </ul>	Carrier Frequency Selection (C6-02)	<ul style="list-style-type: none"> <li>Increase the carrier frequency if there is too much motor noise.</li> <li>Reduce the carrier frequency if motor hunting and oscillation occur at low speeds.</li> </ul> <p><b>Note:</b> The default setting for the carrier frequency depends on the drive model selection (o2-04) and drive duty mode selection (C6-01).</p>	1 (4 kHz)	1 to max. setting
<ul style="list-style-type: none"> <li>Poor motor torque at low speeds</li> <li>Poor speed response</li> <li>Motor instability at start</li> </ul>	Middle Output Frequency Voltage (E1-08) Minimum Output Frequency Voltage (E1-10)	<ul style="list-style-type: none"> <li>Increase the setting if motor torque and speed response are too slow.</li> <li>Reduce the setting if the motor exhibits excessive instability at start-up.</li> </ul> <p><b>Note:</b> When working with a relatively light load, increasing this value too much can cause overtorque.</p>	Depends on o2-04, Drive Model Selection	Default setting $\pm 2$ V

When using OLV, leave the torque compensation gain (C4-01) at its default setting of 1.00.

### ◆ Fine-Tuning Closed Loop Vector Control

Table 6.3 Parameters for Fine-Tuning the Performance in CLV

Problem	Parameter No.	Corrective Action	Default	Suggested Setting
<ul style="list-style-type: none"> <li>Poor torque or speed response</li> <li>Motor hunting and oscillation</li> </ul>	ASR Proportional Gain 1 (C5-01) ASR Proportional Gain 2 (C5-03) </>	<ul style="list-style-type: none"> <li>Gradually increase the ASR gain setting in increments of 5 if motor torque and speed response are too slow.</li> <li>Reduce the setting if motor hunting and oscillation occur.</li> <li>Only adjust parameter C5-03 when C5-05 &gt; 0.</li> <li>Perform ASR Auto-Tuning if possible.</li> </ul>	20.00	10.00 to 50.00
<ul style="list-style-type: none"> <li>Poor torque or speed response</li> <li>Motor hunting and oscillation</li> </ul>	ASR Integral Time 1 (C5-02) ASR Integral Time 2 (C5-04) </>	<ul style="list-style-type: none"> <li>Reduce the setting if motor torque and speed response are too slow.</li> <li>Increase the setting if motor hunting and oscillation occur.</li> <li>Only adjust parameter C5-04 when C5-05 &gt; 0.</li> </ul>	0.500 s	0.300 to 1.000 s
Difficulty maintaining the ASR proportional gain or the integral time at the low or high end of the speed range	ASR Gain Switching Frequency (C5-07) </>	Switch the drive between two different ASR proportional gain and integral time settings based on the output frequency.	0.0 Hz	0.0 to max output frequency
Motor hunting and oscillation	ASR Primary Delay Time Constant (C5-06) </>	<ul style="list-style-type: none"> <li>Gradually reduce the setting in 0.01 s increments if motor torque and speed response are too slow.</li> <li>Increase the setting if the load is less rigid and subject to oscillation.</li> </ul>	0.004 s	0.004 to 0.020 s
<ul style="list-style-type: none"> <li>Motor noise</li> <li>Control motor hunting and oscillation occur at speeds below 3 Hz</li> </ul>	Carrier Frequency Selection (C6-02)	<ul style="list-style-type: none"> <li>Increase the carrier frequency if there is too much motor noise.</li> <li>Reduce the carrier frequency if motor hunting and oscillation occur at low speeds.</li> </ul>	1 (4 kHz)	1 to max. setting
Overshoot or undershoot when the speed changes with high inertia load	Feed Forward Control Selection (n5-01) Inertia Tuning (T1-01 = 8)	Set parameter n5-01 to 1 to Enable Feed Forward then perform Inertia Tuning. Manually set parameters C5-17, C5-18, and n5-03 if Inertia Tuning is not possible.	0	1

<1> Refer to C5: Automatic Speed Regulator (ASR) on page 197 for details on ASR.

## ◆ Fine-Tuning Open Loop Vector Control for PM Motors

Table 6.4 Parameters for Fine-Tuning Performance in OLV/PM

Problem	Parameter No.	Corrective Action	Default	Suggested Setting
Undesirable motor performance	Motor parameters (E1-□□, E5-□□)	<ul style="list-style-type: none"> <li>Check the settings for base and maximum frequency in the E1-□□ parameters.</li> <li>Check E5-□□ parameters and set motor data correctly. Do not enter line-to-line data where single-phase data is required, and vice versa.</li> <li>Perform Auto-Tuning.</li> </ul>	-	-
Poor motor torque and speed response	Load Inertia (n8-55)	Adjust parameter n8-55 to meet the load inertia ratio of the machine.	0	Close to the actual load inertia ratio
	Speed Feedback Detection Control Gain (for PM Motors) (n8-45)	Increase the speed feedback detection control gain (n8-45).	0.8	Increase in increments of 0.05
	Torque Compensation Gain (C4-01)	Enable torque compensation. <b>Note:</b> Setting this value too high can cause overcompensation and motor oscillation.	0	1
Oscillation at start or the motor stalls	Acceleration/Deceleration Pull-In Current (for PM Motors) (n8-51)	Increase the pull-in current in n8-51	50%	Increase in steps of 5%
	DC Injection Braking Current (b2-02), DC Injection Time at Start (b2-03)	Use DC Injection Braking at start to align the rotor. This may cause a short reverse rotation at start.	b2-02 = 50% b2-03 = 0.0 s	b2-03 = 0.5 s Increase b2-02 if needed
	Load Inertia (n8-55)	Increase the load inertia ratio. <b>Note:</b> Setting this value too high can cause overcompensation and motor oscillation.	0	Close to the actual load inertia ratio
Stalling or oscillation occur when load is applied during constant speed	Pull-In Current Compensation Time Constant (for PM Motors) (n8-47)	Reduce n8-47 if hunting occurs during constant speed.	5.0 s	Reduce in increments of 0.2 s
	Pull-In Current (for PM Motors) (n8-48)	Increase the pull-in current in n8-48.	30%	Increase in increments of 5%
	Load Inertia (n8-55)	Increase the load inertia ratio.	0	Close to the actual load inertia ratio
Hunting or oscillation occur	Speed Feedback Detection Control Gain (for PM Motors) (n8-47)	Reduce the speed feedback detection gain in n8-45.	0.8	Increase in increments 0.05
STo fault trips when the load is not excessively high	Motor Induction Voltage Constant 1/2 (Ke) (for PM Motors) (E5-09 or E5-24)	<ul style="list-style-type: none"> <li>Check and adjust the induced voltage constant.</li> <li>Check the motor nameplate and the data sheet or contact the motor manufacturer.</li> </ul>	Depends on drive capacity and motor code	Refer to the motor data sheet or the nameplate.
Stalling or STo occurs at high speed as the output voltage becomes saturated	Output Voltage Limit (for PM Motors) (n8-62)	Set the value of the input voltage to parameter n8-62.	200 Vac (200 V class) 400 Vac (400 V class)	Set equal to input voltage

## 6.2 Motor Performance Fine-Tuning

### ◆ Fine-Tuning Advanced Open Loop Vector Control for PM Motors

Table 6.5 Parameters for Fine-Tuning Performance in AOLV/PM

Problem	Parameter No.	Corrective Action	Default	Suggested Setting
<ul style="list-style-type: none"> <li>Poor torque or speed response</li> <li>Motor hunting and oscillation</li> </ul>	ASR Proportional Gain 1 (C5-01) ASR Proportional Gain 2 (C5-03)	<ul style="list-style-type: none"> <li>Gradually increase the setting in increments of 5 if motor torque and speed response are too slow.</li> <li>Reduce the setting if motor hunting and oscillation occur.</li> <li>Only adjust parameter C5-03 when C5-05 &gt; 0.</li> </ul>	10.00	5.00 to 30.00 </>
<ul style="list-style-type: none"> <li>Poor torque or speed response</li> <li>Motor hunting and oscillation</li> </ul>	ASR Integral Time 1 (C5-02) ASR Integral Time 2 (C5-04)	<ul style="list-style-type: none"> <li>Reduce the setting if motor torque and speed response are too slow.</li> <li>Increase the setting if motor hunting and oscillation occur.</li> <li>Only adjust parameter C5-04 when C5-05 &gt; 0.</li> </ul>	0.500 s	0.300 to 1.000 s </>
Difficulty maintaining the ASR proportional gain or the integral time at the low or high end of the speed range	ASR Gain Switching Frequency (C5-07)	Switch the drive between two different ASR proportional gain and integral time settings based on the output frequency.	0.0%	0.0 to Max r/min
Motor hunting and oscillation	ASR Primary Delay Time Constant (C5-06)	Increase the setting if the load is less rigid and subject to oscillation.	0.010 s	0.016 to 0.035 s </>
Motor stalling makes normal operation impossible	Motor parameters (E1-□□, E5-□□)	Check the motor parameter settings.	-	-

<1> Optimal settings will differ between no-load and loaded operation.

### ◆ Fine-Tuning Closed Loop Vector Control for PM Motors

Table 6.6 Parameters for Fine-Tuning Performance in CLV/PM

Problem	Parameter No.	Corrective Action	Default	Suggested Setting
<ul style="list-style-type: none"> <li>Poor torque or speed response</li> <li>Motor hunting and oscillation</li> </ul>	ASR Proportional Gain 1 (C5-01) ASR Proportional Gain 2 (C5-03)	<ul style="list-style-type: none"> <li>Gradually increase the setting in increments of 5 if motor torque and speed response are too slow.</li> <li>Reduce the setting if motor hunting and oscillation occur.</li> <li>Perform ASR Gain Auto-Tuning if possible</li> </ul>	20.00	10.00 to 50.00 </>
<ul style="list-style-type: none"> <li>Poor torque or speed response</li> <li>Motor hunting and oscillation</li> </ul>	ASR Integral Time 1 (C5-02) ASR Integral Time 2 (C5-04)	<ul style="list-style-type: none"> <li>Reduce the setting if torque and speed response are too slow.</li> <li>Increase the setting if motor hunting and oscillation occur.</li> </ul>	0.500 s	0.300 to 1.000 s </>
Difficulty maintaining the ASR proportional gain or the integral time at the low or high end of the speed range	ASR Gain Switching Frequency (C5-07)	Switch the drive between two different ASR proportional gain and integral time settings based on the output frequency.	0.0%	0.0 to Max r/min
Motor hunting and oscillation	ASR Primary Delay Time Constant (C5-06)	Increase the setting if the load is less rigid and subject to oscillation.	0.016 s	0.004 to 0.020 s </>
Motor stall makes normal operation impossible	Motor parameters (E1-□□, E5-□□)	Check the motor parameter settings.	-	-
Overshoot or undershoot at speed changes with high inertia load	Feed Forward Control Selection (n5-01) Inertia Auto-Tuning (T2-01 = 8)	Set parameter n5-01 to 1 to Enable Feed Forward then perform Inertia Tuning. Manually set parameters C5-17, C5-18, and n5-03 if Inertia Tuning is not possible.	0	1

<1> Optimal settings will differ between no-load and loaded operation.

## ◆ Parameters to Minimize Motor Hunting and Oscillation

In addition to the parameters discussed on pages 324 through 328, parameters in [Table 6.7](#) indirectly affect motor hunting and oscillation.

**Table 6.7 Parameters that Affect Control Performance in Applications**

Name (Parameter No.)	Application
<b>Dwell Function</b> (b6-01 through b6-04)	Prevents motor speed loss by maintaining the output frequency when working with heavy loads or when there is powerful backlash on the machine side.
<b>Droop Function</b> (b7-01, b7-02)	Balances the load between two motors driving the same load when A1-02 is set to 3 or 7.
<b>Accel/Decel Time</b> (C1-01 through C1-11)	Adjusting accel and decel times will affect the torque presented to the motor during acceleration or deceleration.
<b>S-Curve Characteristics</b> (C2-01 through C2-04)	Prevents shock at the beginning and end of acceleration and deceleration.
<b>Jump Frequency</b> (d3-01 through d3-04)	Skips over the resonant frequencies of connected machinery.
<b>Analog Input Filter Time Constant</b> (H3-13)	Prevents fluctuation in the analog input signal due to noise.
<b>Stall Prevention</b> (L3-01 through L3-06)	<ul style="list-style-type: none"> <li>Prevents motor speed loss when the load is too heavy or during sudden acceleration/deceleration.</li> <li>Adjustment is not normally necessary because Stall Prevention is enabled as a default.</li> </ul>
<b>Torque Limits</b> (L7-01 through L7-04, L7-06, L7-07)	<ul style="list-style-type: none"> <li>Sets the maximum torque for OLV Control.</li> <li>When increasing setting values, select the drive based on calculations from the motor rated torque. Motor speed loss may occur with heavy loads.</li> </ul>
<b>Feed Forward Control</b> (n5-01 through n5-03)	Increases response for acceleration/deceleration and reduces overshooting when there is low machine rigidity and ASR gain cannot be increased. Set the inertia ratio between the load and motor and the acceleration time of the motor running alone.

## 6.3 Drive Alarms, Faults, and Errors

### ◆ Types of Alarms, Faults, and Errors

Check the digital operator for information about possible faults if the drive or motor fails to operate. *Refer to Using the Digital Operator on page 109.*

If problems occur that are not covered in this manual, contact the nearest Yaskawa representative with the following information:

- Drive model
- Software version
- Date of purchase
- Description of the problem

**Table 6.8** contains descriptions of the various types of alarms, faults, and errors that may occur while operating the drive.

**Table 6.8 Types of Alarms, Faults, and Errors**

Type	Drive Response
<b>Faults</b>	<p>When the drive detects a fault:</p> <ul style="list-style-type: none"> <li>• The digital operator displays text indicating the specific fault and the ALM indicator LED remains lit until the fault is reset.</li> <li>• The fault interrupts drive output and the motor coasts to a stop.</li> <li>• Some faults allow the user to select the stopping method when the fault occurs.</li> <li>• Fault output terminals MA-MC will close, and MB-MC will open.</li> </ul> <p>The drive will remain inoperable until the fault is cleared. <i>Refer to Fault Reset Methods on page 373.</i></p>
<b>Minor Faults and Alarms</b>	<p>When the drive detects an alarm or a minor fault:</p> <ul style="list-style-type: none"> <li>• The digital operator displays text indicating the specific alarm or minor fault, and the ALM indicator LED flashes.</li> <li>• The drive continues running the motor, although some alarms allow the user to select a stopping method when the alarm occurs.</li> <li>• A multi-function contact output set to be tripped by a minor fault (H2- □□ = 10) closes. If the output is set to be tripped by an alarm, the contact will not close.</li> <li>• The digital operator displays text indicating a specific alarm and the ALM indicator LED flashes.</li> </ul> <p>Remove the cause of the problem to reset a minor fault or alarm.</p>
<b>Operation Errors</b>	<p>An operation error occurs when parameter settings conflict or do not match hardware settings (such as with an option card). When the drive detects an operation error:</p> <ul style="list-style-type: none"> <li>• The digital operator displays text indicating the specific error.</li> <li>• Multi-function contact outputs do not operate.</li> </ul> <p>The drive will not operate the motor until the error has been reset. Correct the settings that caused the operation error to clear the error.</p>
<b>Tuning Errors</b>	<p>Tuning errors occur while performing Auto-Tuning. When the drive detects a tuning error:</p> <ul style="list-style-type: none"> <li>• The digital operator displays text indicating the specific error.</li> <li>• Multi-function contact outputs do not operate.</li> <li>• Motor coasts to stop.</li> </ul> <p>Remove the cause of the error and repeat the Auto-Tuning process.</p>
<b>Copy Function Errors</b>	<p>Copy Function Errors occur when using the digital operator or the USB Copy Unit to copy, read, or verify parameter settings.</p> <ul style="list-style-type: none"> <li>• The digital operator displays text indicating the specific error.</li> <li>• Multi-function contact outputs do not operate.</li> </ul> <p>Pressing any key on the digital operator will clear the fault. Investigate the cause of the problem (such as model incompatibility) and try again.</p>

## ◆ Alarm and Error Displays

### ■ Faults

**Table 6.9** gives an overview of possible fault codes. Conditions such as overvoltages can trip faults and alarms. It is important to distinguish between faults and alarms to determine the proper corrective actions.

When the drive detects a fault, the ALM indicator LED lights, the fault code appears on the digital operator, and the fault contact MA-MB-MC triggers. An alarm is present if the ALM LED blinks and the fault code on the digital operator flashes.

*Refer to Minor Faults and Alarms on page 333* for a list of alarm codes.

**Table 6.9** Fault Displays

Digital Operator Display	Name	Page	Digital Operator Display	Name	Page		
<i>Rov</i>	Aov	Power Supply Overvoltage	<i>GF</i>	GF	Ground Fault	<a href="#">335</a>	<a href="#">340</a>
<i>RUv</i>	AUv	Power Supply Undervoltage	<i>LF</i>	LF	Output Phase Loss	<a href="#">335</a>	<a href="#">341</a>
<i>bUS</i>	bUS	Option Communication Error	<i>LF2</i>	LF2	Current Imbalance	<a href="#">335</a>	<a href="#">341</a>
<i>CE</i>	CE	MEMOBUS/Modbus Communication Error	<i>LSo</i> <>	LSo	LSo Fault	<a href="#">336</a>	<a href="#">341</a>
<i>CF</i>	CF	Control Fault	<i>nSE</i>	nSE	Node Setup Error	<a href="#">336</a>	<a href="#">341</a>
<i>CoF</i>	CoF	Current Offset Fault	<i>oC</i>	oC	Overcurrent	<a href="#">336</a>	<a href="#">342</a>
<i>CPF00 to CPF03, CPF07, CPF08, CPF11 to CPF14, CPF16 to CPF24, CPF26 to CPF35, CPF40 to CPF45</i> <> <> <>	CPF00 to CPF03, CPF07, CPF08, CPF11 to CPF14, CPF16 to CPF24, CPF26 to CPF35, CPF40 to CPF45	Control Circuit Error	<i>oFA00</i> <>	oFA00	Option Card Connection Error at Option Port CN5-A	<a href="#">336</a>	<a href="#">343</a>
<i>CPF06</i>	CPF06	Control Circuit Error	<i>oFA01</i>	oFA01	Option Card Fault at Option Port CN5-A	<a href="#">336</a>	<a href="#">343</a>
<i>CPF25</i>	CPF25	Terminal Board Not Connected	<i>oFA02 to oFA06</i>	oFA02 to oFA06	Option Card Error Occurred at Option Port CN5-A	<a href="#">337</a>	<a href="#">343</a>
<i>dEv</i>	dEv	Speed Deviation (for Control Mode with PG)	<i>oFA10, oFA11</i>	oFA10, oFA11	Option Card Error (CN5-A)	<a href="#">337</a>	<a href="#">343</a>
<i>doH</i>	doH	Damping Resistor Overheat	<i>oFA12 to oFA17</i>	oFA12 to oFA17	Option Card Connection Error (CN5-A)	<a href="#">337</a>	<a href="#">343</a>
<i>dv1</i>	dv1	Z Pulse Fault	<i>oFA30 to oFA43</i>	oFA30 to oFA43	Comm Option Card Connection Error (CN5-A)	<a href="#">337</a>	<a href="#">343</a>
<i>dv2</i>	dv2	Z Pulse Noise Fault Detection	<i>oFb00</i> <>	oFb00	Option Card Fault at Option Port CN5-B	<a href="#">337</a>	<a href="#">343</a>
<i>dv3</i>	dv3	Inversion Detection	<i>oFb01</i>	oFb01	Option Card Fault at Option Port CN5-B	<a href="#">337</a>	<a href="#">343</a>
<i>dv4</i>	dv4	Inversion Prevention Detection	<i>oFb02</i>	oFb02	Option Card Fault at Option Port CN5-B	<a href="#">338</a>	<a href="#">343</a>
<i>dv7</i>	dv7	Initial Polarity Estimation Timeout	<i>oFb03, oFb11</i>	oFb03, oFb11	Option card error occurred at Option Port CN5-B	<a href="#">338</a>	<a href="#">344</a>
<i>dWAL</i>	dWAL	DriveWorksEZ Fault	<i>oFb12 to oFb17</i>	oFb12 to oFb17	Option card error occurred at Option Port CN5-B	<a href="#">338</a>	<a href="#">344</a>
<i>dWFL</i>	dWFL		<i>oFC00</i> <>	oFC00	Option Card Connection Error at Option Port CN5-C	<a href="#">338</a>	<a href="#">344</a>
<i>dWF1</i>	dWF1	EEPROM Memory DriveWorksEZ Data Error	<i>oFC01</i>	oFC01	Option Card Fault at Option Port CN5-C	<a href="#">338</a>	<a href="#">344</a>
<i>E5</i>	E5	MECHATROLINK Watchdog Timer Error	<i>oFC02</i>	oFC02	Option Card Fault at Option Port CN5-C	<a href="#">338</a>	<a href="#">344</a>
<i>EF0</i>	EF0	Option Card External Fault	<i>oFC03, oFC11</i>	oFC03, oFC11	Option Card Error Occurred at Option Port CN5-C	<a href="#">339</a>	<a href="#">344</a>
<i>EF1 to EF8</i>	EF1 to EF8	External Fault (input terminal S1 to S8)	<i>oFC12 to oFC17</i>	oFC12 to oFC17	Option Card Error Occurred at Option Port CN5-C	<a href="#">339</a>	<a href="#">344</a>
<i>Err</i>	Err	EEPROM Write Error	<i>oFC50 to oFC55</i>	oFC50 to oFC55	Option Card Error Occurred at Option Port CN5-C	<a href="#">339</a>	<a href="#">344</a>
<i>FAn</i>	FAn	Fan Fault	<i>oH</i>	oH	Heatsink Overheat	<a href="#">340</a>	<a href="#">344</a>
<i>FbH</i>	FbH	Excessive PID Feedback	<i>oH1</i>	oH1	Overheat 1 (Heatsink Overheat)	<a href="#">340</a>	<a href="#">345</a>
<i>FbL</i>	FbL	PID Feedback Loss	<i>oH3</i>	oH3	Motor Overheat Alarm (PTC input)	<a href="#">340</a>	<a href="#">345</a>
<i>Fdv</i>	Fdv	Power Supply Frequency Fault				<a href="#">340</a>	



### 6.3 Drive Alarms, Faults, and Errors

Digital Operator Display		Name	Page
<i>oH4</i>	oH4	Motor Overheat Fault (PTC input)	<a href="#">345</a>
<i>oL1</i>	oL1	Motor Overload	<a href="#">345</a>
<i>oL2</i>	oL2	Drive Overload	<a href="#">346</a>
<i>oL3</i>	oL3	Overtorque Detection 1	<a href="#">346</a>
<i>oL4</i>	oL4	Overtorque Detection 2	<a href="#">347</a>
<i>oL5</i>	oL5	Mechanical Weakening Detection 1	<a href="#">347</a>
<i>oPr</i>	oPr	External Digital Operator Connection Fault	<a href="#">347</a>
<i>oS</i>	oS	Overspeed	<a href="#">347</a>
<i>ov</i>	ov	Control Circuit Overvoltage	<a href="#">347</a>
<i>PGo</i>	PGo	PG Disconnect (for Control Mode with PG)	<a href="#">348</a>
<i>PGoH</i>	PGoH	PG Hardware Fault (when using PG-X3)	<a href="#">348</a>
<i>SCF</i>	SCF	Safety Circuit Fault	<a href="#">348</a>
<i>SEr</i>	SEr	Too Many Speed Search Restarts	<a href="#">348</a>

Digital Operator Display		Name	Page
<i>SoH</i>	SoH	Snubber Discharge Resistor Overheat	<a href="#">348</a>
<i>SrC</i>	SrC	Phase Order Detection Fault	<a href="#">349</a>
<i>Srr</i>	Srr	Internal Resistance Fault	<a href="#">349</a>
<i>STo</i>	STo	Pull-Out Detection	<a href="#">349</a>
<i>SvE</i>	SvE	Zero Servo Fault	<a href="#">349</a>
<i>UL3</i>	UL3	Undertorque Detection 1	<a href="#">349</a>
<i>UL4</i>	UL4	Undertorque Detection 2	<a href="#">350</a>
<i>UL5</i>	UL5	Mechanical Weakening Detection 2	<a href="#">350</a>
<i>Uv1</i> <3>	Uv1	Control Circuit Undervoltage Fault	<a href="#">350</a>
<i>Uv2</i> <3>	Uv2	Control Power Supply Voltage Fault	<a href="#">350</a>
<i>Uv3</i> <3>	Uv3	Undervoltage 3 (Soft-Charge Bypass Circuit Fault)	<a href="#">350</a>

- <1> Displayed as CPF00 when occurring at drive power up. When one of the faults occurs after successfully starting the drive, the display will show CPF01.
- <2> Displayed as CPF20 when occurring at drive power up. When one of the faults occurs after successfully starting the drive, the display will show CPF21.
- <3> Fault histories are not kept when CPF00, CPF01, CPF06, CPF24, Fdv, oFA00, oFb00, oFC00, Uv1, Uv2, or Uv3 occur.
- <4> This function prevents continuous operation in reverse when using high frequency injection (n8-57 = 1) in AOLV/PM (A1-02 = 6) with a motor for which no motor code has been entered (it does not only prevent reverse operation). Set L8-93, L8-94, and L8-95 to low values within range of erroneous detection to quickly detect undesirable reverse operation.



■ Minor Faults and Alarms

Refer to [Table 6.10](#) for an overview of possible alarm codes. Conditions such as overvoltages can trip faults and alarms. It is important to distinguish between faults and alarms to determine the proper corrective actions.

When the drive detects an alarm, the ALM indicator LED blinks and the alarm code display flashes. Most alarms trigger a digital output programmed for alarm output (H2-□□ = 10). A fault (not an alarm) is present if the ALM LED lights without blinking. [Refer to Faults on page 331](#) for information on fault codes.

Table 6.10 Minor Fault and Alarm Displays

Digital Operator Display		Name	Minor Fault Output (H2-□□ = 10)	Page	Digital Operator Display		Name	Minor Fault Output (H2-□□ = 10)	Page
<i>AEr</i>	AEr	Station Address Setting Error (CC-Link, CANopen, MECHATROLINK)	YES	<a href="#">351</a>	<i>HcA</i>	HcA	Current Alarm	YES	<a href="#">355</a>
<i>AUv</i>	AUv	Power Supply Undervoltage	YES	<a href="#">335</a>	<i>LT-1</i>	LT-1	Cooling Fan Maintenance Time	No output <1>	<a href="#">355</a>
<i>bb</i>	bb	Baseblock	No output <2>	<a href="#">351</a>	<i>LT-2</i>	LT-2	Capacitor Maintenance Time	No output <1>	<a href="#">355</a>
<i>bUS</i>	bUS	Option Card Communications Error	YES	<a href="#">351</a>	<i>LT-3</i>	LT-3	Soft Charge Bypass Relay Maintenance Time	No output <1>	<a href="#">355</a>
<i>CALL</i>	CALL	Serial Communication Transmission Error	YES	<a href="#">352</a>	<i>oH</i>	oH	Heatsink Overheat	YES	<a href="#">356</a>
<i>CE</i>	CE	MEMOBUS/Modbus Communication Error	YES	<a href="#">352</a>	<i>oH2</i>	oH2	Heatsink Overheat Warning	YES	<a href="#">356</a>
<i>CrST</i>	CrST	Cannot Reset	YES	<a href="#">352</a>	<i>oH3</i>	oH3	Motor Overheat	YES	<a href="#">356</a>
<i>CyC</i>	CyC	MECHATROLINK Comm. Cycle Setting Error	YES	<a href="#">352</a>	<i>oL3</i>	oL3	Overtorque 1	YES	<a href="#">356</a>
<i>dEv</i>	dEv	Excessive Speed Deviation (for Control Mode with PG)	YES	<a href="#">353</a>	<i>oL4</i>	oL4	Overtorque 2	YES	<a href="#">357</a>
<i>dnE</i>	dnE	Drive Disabled	YES	<a href="#">353</a>	<i>oL5</i>	oL5	Mechanical Weakening Detection 1	YES	<a href="#">357</a>
<i>doH</i>	doH	Damping Resistor Overheat	YES	<a href="#">337</a>	<i>oS</i>	oS	Overspeed	YES	<a href="#">357</a>
<i>dWAL</i>	dWAL	DriveWorksEZ Fault	YES	<a href="#">338</a>	<i>ov</i>	ov	Control Circuit Overvoltage	YES	<a href="#">357</a>
<i>E5</i>	E5	MECHATROLINK Watchdog Timer Error	YES	<a href="#">338</a>	<i>PASS</i>	PASS	MEMOBUS/Modbus Test Mode Complete	No output	<a href="#">357</a>
<i>EF</i>	EF	Forward/Reverse Run Command Input Error	YES	<a href="#">353</a>	<i>PGo</i>	PGo	PG Disconnect (for Control Mode with PG)	YES	<a href="#">357</a>
<i>EF0</i>	EF0	Option Card External Fault	YES	<a href="#">353</a>	<i>PGoH</i>	PGoH	PG Hardware Fault (when using PG-X3)	YES	<a href="#">358</a>
<i>EF1 to EF8</i>	EF1 to EF8	External Fault (input terminal S1 to S8)	YES	<a href="#">353</a>	<i>rUn</i>	rUn	Motor Switch during Run	YES	<a href="#">358</a>
<i>FAn</i>	FAn	Fan Fault	YES	<a href="#">339</a>	<i>SE</i>	SE	MEMOBUS/Modbus Test Mode Fault	YES	<a href="#">358</a>
<i>FbH</i>	FbH	Excessive PID Feedback	YES	<a href="#">354</a>	<i>SrC</i>	SrC	Phase Order Detection Fault	YES	<a href="#">349</a>
<i>FbL</i>	FbL	PID Feedback Loss	YES	<a href="#">354</a>	<i>UL3</i>	UL3	Undertorque Detection 1	YES	<a href="#">358</a>
<i>Fdv</i>	Fdv	Power Supply Frequency Fault	YES	<a href="#">340</a>	<i>UL4</i>	UL4	Undertorque Detection 2	YES	<a href="#">358</a>
<i>Hbb</i>	Hbb	Safe Disable Signal Input	YES	<a href="#">355</a>	<i>UL5</i>	UL5	Mechanical Weakening Detection 2	YES	<a href="#">350</a>
<i>HbbF</i>	HbbF	Safe Disable Signal Input	YES	<a href="#">355</a>	<i>Uv</i>	Uv	Control Circuit Undervoltage	YES	<a href="#">359</a>

<1> Output when H2-□□ = 2F.

<2> Baseblock alarm “bb” will not activate a digital output programmed for minor fault H2-0□ = 10. Set H2-0□ = 8 or 1B to activate a digital output for “bb”.

### ■ Operation Errors

Table 6.11 Operation Error Displays

Digital Operator Display	Name	Page	Digital Operator Display	Name	Page
<i>oPE01</i>	oPE01	Unit Capacity Setting Fault	<i>oPE10</i>	oPE10	V/f Data Setting Error
<i>oPE02</i>	oPE02	Parameter Range Setting Error	<i>oPE11</i>	oPE11	Carrier Frequency Setting Error
<i>oPE03</i>	oPE03	Multi-Function Input Selection Error	<i>oPE13</i>	oPE13	Pulse Monitor Selection Error
<i>oPE04</i>	oPE04	Initialization Required	<i>oPE15</i>	oPE15	Torque Control Setting Error
<i>oPE05</i>	oPE05	Initialization Required	<i>oPE16</i>	oPE16	Energy Saving Constants Error
<i>oPE06</i>	oPE06	Control Method Selection Error	<i>oPE18</i>	oPE18	Online Tuning Parameter Setting Error
<i>oPE07</i>	oPE07	Multi-Function Analog Input Selection Error	<i>oPE20</i>	oPE20	PG-F3 Setting Error
<i>oPE08</i>	oPE08	Parameter Selection Error	<i>oPE30</i>	oPE30	Incorrect Input Voltage Adjustment
<i>oPE09</i>	oPE09	PID Control Selection Fault			

### ■ Auto-Tuning Errors

Table 6.12 Auto-Tuning Error Displays

Digital Operator Display	Name	Page	Digital Operator Display	Name	Page
<i>End1</i>	End1	Excessive V/f Setting	<i>Er-10</i>	Er-10	Motor Direction Error
<i>End2</i>	End2	Motor Iron-Core Saturation Coefficient	<i>Er-11</i>	Er-11	Motor Speed Error
<i>End3</i>	End3	Rated Current Setting Alarm	<i>Er-12</i>	Er-12	Current Detection Error
<i>End4</i>	End4	Adjusted Slip Calculation Error	<i>Er-13</i>	Er-13	Leakage Inductance Error
<i>End5</i>	End5	Resistance Tuning Error	<i>Er-14</i>	Er-14	Motor Speed Error 2
<i>End6</i>	End6	Leakage Inductance Alarm	<i>Er-15</i>	Er-15	Torque Saturation Error
<i>End7</i>	End7	No-Load Current Alarm	<i>Er-16</i>	Er-16	Inertia ID Error
<i>Er-01</i>	Er-01	Motor Data Error	<i>Er-17</i>	Er-17	Reverse Prohibited Error
<i>Er-02</i>	Er-02	Minor Fault	<i>Er-18</i>	Er-18	Induction Voltage Error
<i>Er-03</i>	Er-03	STOP Button Input	<i>Er-19</i>	Er-19	PM Inductance Error
<i>Er-04</i>	Er-04	Line-to-Line Resistance Error	<i>Er-20</i>	Er-20	Stator Resistance Error
<i>Er-05</i>	Er-05	No-Load Current Error	<i>Er-21</i>	Er-21	Z Pulse Correction Error
<i>Er-08</i>	Er-08	Rated Slip Error	<i>Er-25</i>	Er-25	High Frequency Injection Parameter Tuning Error
<i>Er-09</i>	Er-09	Acceleration Error			

### ■ Errors and Displays When Using the Copy Function

Table 6.13 Copy Errors

Digital Operator Display	Name	Page	Digital Operator Display	Name	Page
<i>CoPy</i>	CoPy	Writing Parameter Settings (flashing)	<i>rdEr</i>	rdEr	Error Reading Data
<i>CPEr</i>	CPEr	Control Mode Mismatch	<i>rEAd</i>	rEAd	Reading Parameter Settings (Flashing)
<i>CPyE</i>	CPyE	Error Writing Data	<i>vAEr</i>	vAEr	Voltage Class, Capacity Mismatch
<i>CSEr</i>	CSEr	Copy Unit Error	<i>vFyE</i>	vFyE	Parameter settings in the drive and those saved to the copy function are not the same
<i>dFpS</i>	dFpS	Drive Model Mismatch	<i>vrFy</i>	vrFy	Comparing Parameter Settings (Flashing)
<i>End</i>	End	Task Complete			
<i>iFEr</i>	iFEr	Communication Error			
<i>ndAT</i>	ndAT	Model, Voltage Class, Capacity Mismatch			

## 6.4 Fault Detection

### ◆ Fault Displays, Causes, and Possible Solutions

Faults are detected for drive protection, and cause the drive to stop while toggling the form-C output associated with terminals MA-MB-MC. Remove the cause of the fault and manually clear the fault before attempting to run the drive again.

**Table 6.14 Detailed Fault Displays, Causes, and Possible Solutions**

Digital Operator Display		Fault Name
<i>POV</i>	Aov	Power Supply Overvoltage
		The input power supply voltage became equal to or higher than the Input Power Supply Overvoltage Detection Level. 200 V Class: Approximately 277 Vrms 400 V Class: Approximately 630 Vrms
<b>Cause</b>		<b>Possible Solution</b>
<ul style="list-style-type: none"> <li>The power supply voltage exceeded the range listed in drive input power specifications.</li> <li>Regenerative operation was performed when the power supply capacity was too small.</li> <li>The power supply circuit opened during regeneration.</li> </ul>		<ul style="list-style-type: none"> <li>Reduce the voltage to within the range in the power supply specifications.</li> <li>Increase the capacity of the power supply.</li> </ul>
Digital Operator Display		Fault Name
<i>PUV</i>	AUv	Power Supply Undervoltage
		The input power supply voltage became equal to or lower than the Input Power Supply Undervoltage Detection Level (L2-21). 200 V Class: Approximately 150 Vrms 400 V Class: Approximately 300 Vrms
<b>Cause</b>		<b>Possible Solution</b>
The capacity of the power supply is too small.		Increase the capacity of the power supply.
The distortion in the power supply is too large.		Lower the impedance of the input power supply wiring.
A phase loss occurred in the input power supply.		Check the input power supply for phase loss or an imbalance in the interphase voltages. Investigate and correct the cause and then reset the fault.
The built-in fuse is open.		An internal transistor was destroyed. The input wiring is grounded or short circuited. The output transistor has failed because the drive output has grounded or short circuited. Replace the board or the drive. For instructions on replacing the control board, contact Yaskawa or your nearest sales representative.
Digital Operator Display		Fault Name
<i>bUS</i>	bUS	Option Communication Error
		<ul style="list-style-type: none"> <li>The connection was lost after establishing initial communication.</li> <li>Only detected when the run command frequency reference is assigned to an option card.</li> </ul>
<b>Cause</b>		<b>Possible Solution</b>
No signal was received from the PLC		<ul style="list-style-type: none"> <li>Check for faulty wiring.</li> </ul>
Faulty communications wiring or an existing short circuit		<ul style="list-style-type: none"> <li>Correct the wiring.</li> <li>Check for disconnected cables and short circuits and repair as needed.</li> </ul>
Communication data error occurred due to noise		<ul style="list-style-type: none"> <li>Check the various options available to minimize the effects of noise.</li> <li>Counteract noise in the control circuit, main circuit, and ground wiring.</li> <li>Ensure that other equipment such as switches or relays do not cause noise. Use surge absorbers if necessary.</li> <li>Use only recommended cables or other shielded line. Ground the shield on the controller side or the drive input power side.</li> <li>Separate all communication wiring from drive power lines. Install an EMC noise filter to the drive power supply input.</li> </ul>
The option card is damaged		Replace the option card if there are no problems with the wiring and the error continues to occur.
The option card is not properly connected to the drive		<ul style="list-style-type: none"> <li>The connector pins on the option card do not line up properly with the connector pins on the drive.</li> <li>Reinstall the option card.</li> </ul>

## 6.4 Fault Detection

Digital Operator Display		Fault Name
$\llbracket E$	CE	MEMOBUS/Modbus Communication Error
		Control data was not received for the CE detection time set to H5-09.
<b>Cause</b>		<b>Possible Solution</b>
Faulty communications wiring or an existing short circuit		<ul style="list-style-type: none"> <li>• Check for faulty wiring.</li> <li>• Correct the wiring.</li> <li>• Check for disconnected cables and short circuits and repair as needed.</li> </ul>
Communication data error occurred due to noise		<ul style="list-style-type: none"> <li>• Check the various options available to minimize the effects of noise.</li> <li>• Counteract noise in the control circuit, main circuit, and ground wiring.</li> <li>• Use only recommended cables or other shielded line. Ground the shield on the controller side or the drive input power side.</li> <li>• Ensure that other equipment such as switches or relays do not cause noise. Use surge suppressors if required.</li> <li>• Separate all communication wiring from drive power lines. Install an EMC noise filter to the drive power supply input.</li> </ul>

Digital Operator Display		Fault Name
$\llbracket F$	CF	Control Fault
		The torque limit was reached continuously for three seconds after the Stop command was input and deceleration was not possible in OLV Control.
<b>Cause</b>		<b>Possible Solution</b>
Motor parameters are set improperly		Check the motor parameter settings and repeat Auto-Tuning.
Torque limit is too low		Set the torque limit to the most appropriate setting (L7-01 through L7-04).
Load inertia is too big		<ul style="list-style-type: none"> <li>• Adjust the deceleration time (C1-02, C1-04, C1-06, C1-08).</li> <li>• Set the frequency to the minimum value and interrupt the Run command when the drive finishes decelerating.</li> </ul>

Digital Operator Display		Fault Name
$\llbracket oF$	CoF	Current Offset Fault
		Drive starts operation while the current-detection circuit failure, or the induced voltage remains in the motor (coasting and after rapid deceleration).
<b>Cause</b>		<b>Possible Solution</b>
The drive performed a current offset adjustment while the motor was rotating		<ul style="list-style-type: none"> <li>• The set value exceeds the allowable setting range while the drive automatically adjusts the current offset. This happens when attempting to restart a PM motor that is coasting to stop.</li> <li>• Set b3-01 to 1 to enable Speed Search at Start.</li> <li>• Perform Speed Search 1 or 2 (H1-□□ = 61 or 62) via one of the external terminals.</li> </ul> <p><b>Note:</b> Speed Searches 1 and 2 are the same when using OLV/PM.</p>
Hardware problem		If the problem continues, replace the control board or the entire drive. Contact Yaskawa or a Yaskawa representative for instructions on replacing the control board.

Digital Operator Display		Fault Name
$\llbracket PF00$ to $\llbracket PF03$ , $\llbracket PF07$ , $\llbracket PF08$ , $\llbracket PF11$ to $\llbracket PF14$ , $\llbracket PF16$ to $\llbracket PF24$ , $\llbracket PF26$ to $\llbracket PF35$ , $\llbracket PF40$ to $\llbracket PF45$	CPF00 to CPF03, CPF07, CPF08, CPF11 to CPF14, CPF16 to CPF24, CPF26 to CPF35, CPF40 to CPF45	Control Circuit Error
<b>Cause</b>		<b>Possible Solution</b>
Hardware is damaged.		<ul style="list-style-type: none"> <li>• Cycle power to the drive.</li> <li>• If the problem continues, replace either the control board or the entire drive. For instructions on replacing the control board, contact Yaskawa or your nearest sales representative.</li> </ul>
Connector on the operator is damaged.		Replace the operator.

Digital Operator Display		Fault Name
$\llbracket PF06$	CPF06	Control Circuit Error
		There is an error in the data saved to EEPROM.
<b>Cause</b>		<b>Possible Solution</b>
The power supply was switched off when parameters were being saved to the drive.		Reinitialize the drive (A1-03 = 2220, 3330).

Digital Operator Display	Fault Name
Hardware is damaged.	<ul style="list-style-type: none"> <li>Turn the power off and check the connection between the control board and the drive.</li> <li>If the problem continues, replace either the control board or the entire drive. For instructions on replacing the control board, contact Yaskawa or your nearest sales representative.</li> </ul>

Digital Operator Display	Fault Name
<i>CPF25</i>	CPF25
Terminal Board Not Connected	
Cause	Possible Solution
Terminal board is not connected correctly	Reconnect the terminal board to the connector on the drive, then cycle the power to the drive.

Digital Operator Display	Fault Name
<i>dEv</i>	dEv
Speed Deviation (for Control Mode with PG)	
	The deviation between the speed detection value for the pulse input and the speed reference after speed agreement was reached exceeded the setting value of F1-10 for the time set in F1-11 or longer when the Operation Selection at Deviation was set to continue operation (F1-04 = 3).
Cause	Possible Solution
The load is too heavy.	Reduce the load.
Acceleration and deceleration times are set too short.	Increase the acceleration and deceleration times (C1-01 through C1-08).
The load is locked up.	Check the machine.
Parameters are not set appropriately.	Check the settings of parameters F1-10 and F1-11.
The motor brake is engaged	Ensure the motor brake releases properly.
The torque limit is small for the load.	Increase the setting values of L7-01 to L7-04, the value of the torque limit from the analog input, or the value of the torque limit set from the communication option.

Digital Operator Display	Fault Name
<i>doH</i>	doH
Damping Resistor Overheat	
	The temperature of the built-in damping resistor exceeded the set value.
Cause	Possible Solution
<ul style="list-style-type: none"> <li>The capacity of the power supply is too small.</li> <li>The distortion in the power supply is too large.</li> </ul>	<ul style="list-style-type: none"> <li>Increase the capacity of the power supply.</li> <li>Lower the impedance of the input power supply wiring.</li> </ul>
A phase loss occurred in the input power supply.	Check the input power supply for phase loss or an imbalance in the interphase voltages.

Digital Operator Display	Fault Name
<i>dv1</i>	dv1
Z Pulse Fault (CLV/PM control mode only)	
	The motor turned one full rotation without the Z Pulse being detected.
Cause	Possible Solution
PG encoder is disconnected, improperly wired, or the PG option card or PG encoder are damaged	<ul style="list-style-type: none"> <li>Make sure the PG encoder is properly connected and all shielded lines are properly grounded.</li> <li>If the problem continues after cycling power, replace the PG option card or the PG encoder.</li> </ul>

Digital Operator Display	Fault Name
<i>dv2</i>	dv2
Z Pulse Noise Fault Detection (CLV/PM control mode only)	
	The Z Pulse is out of phase by more than 5 degrees for 10 consecutive revolutions.
Cause	Possible Solution
Noise interference along the PG cable	Separate the PG cable lines from the source of the noise.
PG cable is not wired properly	Rewire the PG encoder and properly ground all shielded lines.
PG option card or the PG encoder are damaged	If the problem continues after cycling power, replace the PG option card or the PG encoder.

Digital Operator Display	Fault Name
<i>dv3</i>	dv3
Inversion Detection (CLV/PM control mode only)	
	The torque reference and acceleration are in opposite directions and the speed reference and actual motor speed differ by more than 30% for the number of times set to F1-18.
Cause	Possible Solution

## 6.4 Fault Detection

The Z Pulse offset is not set properly to E5-11	Set the value for $\Delta\theta$ to E5-11 as specified on the motor nameplate. Replacing the PG encoder or changing the application to rotate the motor in reverse requires readjustment of the Z-pulse offset. (T2-01 = 3)
An external force on the load side caused the motor to move	<ul style="list-style-type: none"> <li>Make sure the motor is rotating in the proper direction.</li> <li>Identify and fix any problems on the load side causing the motor to rotate in the opposite direction.</li> </ul>
Noise interference along the PG cable affecting the A or B pulse	Properly rewire the PG encoder and connect all lines including shielded line.
PG encoder is disconnected, improperly wired, or the PG option card or PG encoder are damaged	
Rotational direction for the PG encoder set to F1-05 is the opposite of the motor line order	Properly connect the motor lines for each phase (U, V, W).

Digital Operator Display		Fault Name
$d\upsilon 4$	dv4	Inversion Prevention Detection (CLV/PM control mode only)
		Pulses indicate that the motor is rotating in the opposite direction of the speed reference. Set the number of pulses to trigger inverse detection to F1-19.
		<b>Note:</b> Set F1-19 to 0 to disable inverse detection in applications where the motor may rotate in the opposite direction of the speed reference.
<b>Cause</b>		<b>Possible Solution</b>
The Z Pulse offset is not set properly to E5-11		<ul style="list-style-type: none"> <li>Set the value for <math>\Delta\theta</math> to E5-11 as specified on the motor nameplate.</li> <li>If the problem continues after cycling power, replace the PG option card or the PG encoder. Replacing the PG encoder or changing the application to rotate the motor in reverse requires readjustment of the Z-pulse offset. (T2-01 = 3)</li> </ul>
Electrical signal interference along the PG cable affecting the A or B pulse		<ul style="list-style-type: none"> <li>Make sure the motor is rotating in the proper direction.</li> <li>Identify and fix any problems on the load side causing the motor to rotate in the opposite direction.</li> </ul>
PG encoder is disconnected, improperly wired, or the PG option card or PG encoder are damaged		<ul style="list-style-type: none"> <li>Rewire the PG encoder and properly connect all lines including shielded line.</li> <li>If the problem continues after cycling power, replace the PG option card or the PG encoder.</li> </ul>

Digital Operator Display		Fault Name
$d\upsilon 7$	dv7	Initial Polarity Estimation Timeout
<b>Cause</b>		<b>Possible Solution</b>
Disconnection in the motor coil winding		<ul style="list-style-type: none"> <li>Measure the motor line-to-line resistance and replace the motor if the motor coil winding is open.</li> <li>Check for loose terminals. Apply the tightening torque specified in this manual to fasten the terminals. <a href="#">Refer to Main Circuit Wire Gauges and Tightening Torque on page 81</a> for details.</li> </ul>
Loose output terminals		<ul style="list-style-type: none"> <li>Ensure that monitor U6-57 displays a value greater than 819 during the initial test runs for the application to prevent the drive from incorrectly determining motor polarity. If U6-57 shows a value less than 819, increase the polarity judge current level set in parameter n8-84.</li> </ul>

Digital Operator Display		Fault Name
$d\upsilon W A L$	dWAL	DriveWorksEZ Fault
$d\upsilon W F L$	dWFL	
<b>Cause</b>		<b>Possible Solution</b>
Fault output by DriveWorksEZ		Correct the cause of the fault.

Digital Operator Display		Fault Name
$d\upsilon W F 1$	dWF1	EEPROM Memory DriveWorksEZ Data Error
		There is an error in the DriveWorksEZ program saved to EEPROM.
<b>Cause</b>		<b>Possible Solution</b>
Problem with EEPROM data.		Reinitialize the drive (A1-03 = 2220, 3330) and download the DriveWorksEZ program again.
There is an error in the EEPROM control circuit.		<ul style="list-style-type: none"> <li>Turn the power off and check the connection between the control board and the drive.</li> <li>If the problem continues, replace either the control board or the entire drive and then download the DriveWorksEZ program. For instructions on replacing the control board, contact Yaskawa or your nearest sales representative.</li> </ul>

Digital Operator Display		Fault Name
$E 5$	E5	MECHATROLINK Watchdog Timer Error
		The watchdog timed out.
<b>Cause</b>		<b>Possible Solution</b>



Data has not been received from the PLC	Execute DISCONNECT or ALM CLR, then issue a CONNECT command or SYNC_SET command and proceed to phase 3. Refer to the SI-T3 Option Technical Manual for more details on troubleshooting.
---	---

Digital Operator Display		Fault Name
<i>EF0</i>	EF0	Option Card External Fault An external fault condition is present.
<b>Cause</b>		<b>Possible Solution</b>
An external fault was received from the PLC and F6-03 is set to a value other than 3.		<ul style="list-style-type: none"> <li>Remove the cause of the external fault.</li> <li>Remove the external fault input from the PLC.</li> </ul>
Problem with the PLC program		Check the PLC program and correct problems.

Digital Operator Display		Fault Name
<i>EF1</i>	EF1	External Fault (input terminal S1) External fault at multi-function input terminal S1.
<i>EF2</i>	EF2	External Fault (input terminal S2) External fault at multi-function input terminal S2.
<i>EF3</i>	EF3	External Fault (input terminal S3) External fault at multi-function input terminal S3.
<i>EF4</i>	EF4	External Fault (input terminal S4) External fault at multi-function input terminal S4.
<i>EF5</i>	EF5	External Fault (input terminal S5) External fault at multi-function input terminal S5.
<i>EF6</i>	EF6	External Fault (input terminal S6) External fault at multi-function input terminal S6.
<i>EF7</i>	EF7	External Fault (input terminal S7) External fault at multi-function input terminal S7.
<i>EF8</i>	EF8	External Fault (input terminal S8) External fault at multi-function input terminal S8.
<b>Cause</b>		<b>Possible Solution</b>
An external device tripped an alarm function		Remove the cause of the external fault and reset the fault.
Wiring is incorrect		<ul style="list-style-type: none"> <li>Properly connect the signal lines to the terminals assigned for external fault detection (H1-□□ = 20 to 2B).</li> <li>Reconnect the signal line.</li> </ul>
Multi-function contact input setting is incorrect		<ul style="list-style-type: none"> <li>Check for unused terminals set for H1-□□ = 20 to 2B (External Fault).</li> <li>Change the terminal settings.</li> </ul>

Digital Operator Display		Fault Name
<i>Err</i>	Err	EEPROM Write Error Data cannot be written to the EEPROM
<b>Cause</b>		<b>Possible Solution</b>
Noise has corrupted data while writing to the EEPROM		<ul style="list-style-type: none"> <li>Press "ENTER" on the digital operator.</li> <li>Correct the parameter setting.</li> <li>Cycle power to the drive.</li> <li>If the problem continues, replace the control board or the entire drive. Contact Yaskawa or a Yaskawa representative for instructions on replacing the control board.</li> </ul>
Hardware problem		If the problem continues, replace the control board or the entire drive. Contact Yaskawa or a Yaskawa representative for instructions on replacing the control board.

Digital Operator Display		Fault Name
<i>FAn</i>	FAn	Fan fault Fan failure
<b>Cause</b>		<b>Possible Solution</b>

## 6.4 Fault Detection

Digital Operator Display	Fault Name
Cooling fan has malfunctioned.	Cycle power to the drive. Verify the cumulative operation time of the fan and the fan maintenance timer using monitors U4-03, and U4-04. Replace damaged cooling fans and cooling fans that have exceeded expected performance life. <i>Refer to Drive Cooling Fans on page 391.</i>
Fault detected in the internal cooling fan to the power supply.	Cycle power to the drive. If the fault still occurs, replace the control circuit board or the entire unit. For instructions on replacing the power board, contact the Yaskawa sales office directly or your nearest Yaskawa representative.

Digital Operator Display	Fault Name
$F_{bH}$	FbH
	Excessive PID Feedback PID feedback input is greater than the level set to b5-36 for longer than the time set to b5-37. Set b5-12 to 2 or 5 to enable fault detection.
<b>Cause</b>	<b>Possible Solution</b>
Parameters are set inappropriately	Check b5-36 and b5-37 settings.
Incorrect PID feedback wiring	Correct the wiring.
There is a problem with the feedback sensor	<ul style="list-style-type: none"> <li>• Check the sensor on the control side.</li> <li>• Replace the sensor if damaged.</li> </ul>

Digital Operator Display	Fault Name
$F_{bL}$	FbL
	PID Feedback Loss PID feedback loss detection is programmed to trigger a fault (b5-12 = 2 or 5) and the PID feedback level is below the detection level set to b5-13 for longer than the time set to b5-14.
<b>Cause</b>	<b>Possible Solution</b>
Parameters are set inappropriately	Check b5-13 and b5-14 settings.
Incorrect PID feedback wiring	Correct the wiring.
There is a problem with the feedback sensor	<ul style="list-style-type: none"> <li>• Check the sensor on the control side.</li> <li>• Replace the sensor if damaged.</li> </ul>

Digital Operator Display	Fault Name
$F_{dv}$	Fdv
	Power Supply Frequency Fault The input power supply frequency exceeded the allowable frequency fluctuation.
<b>Cause</b>	<b>Possible Solution</b>
A momentary power loss occurred.	Reset the fault.
An input power supply wiring terminal is loose.	Check for loose terminals.
The fluctuation in the voltage of the input power supply is too large.	Increase the power supply frequency fault detection width (L2-27).
The built-in fuse is open.	Replace either the control board or the entire drive. For instructions on replacing the control board, contact Yaskawa or your nearest sales representative.

Digital Operator Display	Fault Name
$\underline{GF}$	GF
	Ground Fault <ul style="list-style-type: none"> <li>• A current short to ground exceeded 50% of rated current on the output side of the drive.</li> <li>• Setting L8-09 to 1 enables ground fault detection.</li> </ul>
<b>Cause</b>	<b>Possible Solution</b>
Motor insulation is damaged	<ul style="list-style-type: none"> <li>• Check the insulation resistance of the motor.</li> <li>• Replace the motor.</li> </ul>
A damaged motor cable is creating a short circuit	<ul style="list-style-type: none"> <li>• Check the motor cable.</li> <li>• Remove the short circuit and reapply power to the drive</li> <li>• Check the resistance between the cable and the ground terminal ☹.</li> <li>• Replace the cable.</li> </ul>
Excessive leakage current at the drive output	<ul style="list-style-type: none"> <li>• Reduce the carrier frequency.</li> <li>• Reduce the amount of stray capacitance.</li> </ul>



The drive performed a current offset adjustment while the motor was rotating	<ul style="list-style-type: none"> <li>The set value exceeds the allowable setting range while the drive automatically adjusts the current offset. This generally only happens when attempting to restart a PM motor that is coasting to stop.</li> <li>Set b3-01 to 1 to enable Speed Search at Start.</li> <li>Perform Speed Search 1 or 2 (H1-□□ = 61 or 62) via one of the external terminals.</li> </ul>
Hardware problem	If the problem continues, replace the control board or the entire drive. Contact Yaskawa or a Yaskawa representative for instructions on replacing the control board.

Digital Operator Display		Fault Name
LF	LF	Output Phase Loss
<b>Cause</b>		<b>Possible Solution</b>
The output cable is disconnected		<ul style="list-style-type: none"> <li>Check for wiring errors and properly connect the output cable.</li> <li>Correct the wiring.</li> </ul>
The motor winding is damaged		<ul style="list-style-type: none"> <li>Check the resistance between motor lines.</li> <li>Replace the motor if the winding is damaged.</li> </ul>
The output terminal is loose		<ul style="list-style-type: none"> <li>Apply the tightening torque specified in this manual to fasten the terminals. <i>Refer to Main Circuit Wire Gauges and Tightening Torque on page 81</i> for details.</li> </ul>
The rated current of the motor being used is less than 5% of the drive rated current		Check the drive selection and motor capacities.
An output transistor is damaged		If the problem continues, replace the control board or the entire drive. Contact Yaskawa or a Yaskawa representative for instructions on replacing the control board.
A single-phase motor is being used		The drive cannot operate a single phase motor.

Digital Operator Display		Fault Name
LF2	LF2	Output Current Imbalance
<b>Cause</b>		<b>Possible Solution</b>
Phase loss has occurred on the output side of the drive		<ul style="list-style-type: none"> <li>Check for faulty wiring or poor connections on the output side of the drive.</li> <li>Correct the wiring.</li> </ul>
Terminal wires are loose on the output side of the drive		Apply the tightening torque specified in this manual to fasten the terminals. <i>Refer to Main Circuit Wire Gauges and Tightening Torque on page 81</i> for details.
The output circuit is damaged		If the problem continues, replace the control board or the entire drive. Contact Yaskawa or a Yaskawa representative for instructions on replacing the control board.
Motor impedance or motor phases are uneven		<ul style="list-style-type: none"> <li>Measure the line-to-line resistance for each motor phase. Ensure all values match.</li> <li>Replace the motor.</li> </ul>

Digital Operator Display		Fault Name
L50	L50	L50 Fault
<b>Cause</b>		<b>Possible Solution</b>
The incorrect motor code has been entered.		<ul style="list-style-type: none"> <li>Enter the correct motor code for the PM motor being used into E5-01.</li> <li>For special-purpose motors, enter the correct data to all E5 parameters according to the test report provided for the motor.</li> </ul>
The load is too heavy.		<ul style="list-style-type: none"> <li>Reduce the load.</li> <li>Use a larger drive.</li> </ul>
The drive incorrectly detected the position of the motor poles.		<ul style="list-style-type: none"> <li>Make sure some external force is not rotating the motor at start.</li> <li>Enable Speed Search Selection at start. (b3-01 = 1).</li> <li>If the value displayed in U6-57 is lower than 819, then set the polarity judge current (n8-84) higher than the default value.</li> </ul>
Values set to parameters L8-93, L8-94, and L8-95 are incorrect.		<ul style="list-style-type: none"> <li>Increase the value set to L8-93.</li> <li>Increase the value set to L8-94.</li> <li>Increase the value set to L8-95.</li> </ul>

This function prevents continuous operation in reverse when using high frequency injection (n8-57 = 1) in AOLV/PM (A1-02 = 6) with a motor for which no motor code has been entered (it does not only prevent reverse operation). Set L8-93, L8-94, and L8-95 to low values within range of erroneous detection to quickly detect undesirable reverse operation.

## 6.4 Fault Detection

Digital Operator Display		Fault Name
nSE	nSE	Node Setup Error A terminal assigned to the node setup function closed during run.
<b>Cause</b>		<b>Possible Solution</b>
The node setup terminal closed during run. A Run command was issued while the node setup function was active.		Stop the drive when using the node setup function.

Digital Operator Display		Fault Name
oC	oC	Overcurrent Drive sensors detected an output current greater than the specified overcurrent level.
<b>Cause</b>		<b>Possible Solution</b>
The motor has been damaged due to overheating or the motor insulation is damaged		<ul style="list-style-type: none"> <li>Check the insulation resistance.</li> <li>Replace the motor.</li> </ul>
One of the motor cables has shorted out or there is a grounding problem		<ul style="list-style-type: none"> <li>Check the motor cables.</li> <li>Remove the short circuit and reapply power to the drive.</li> <li>Check the resistance between the motor cables and the ground terminal ⊕.</li> <li>Replace damaged cables.</li> </ul>
The load is too heavy		<ul style="list-style-type: none"> <li>Measure the current flowing into the motor.</li> <li>Use a drive that is one frame larger if the current value exceeds the rated current.</li> <li>Determine if there is sudden fluctuation in the current level.</li> <li>Reduce the load to avoid sudden changes in the current level or use a drive that is one frame larger.</li> </ul>
The acceleration or deceleration times are too short		Calculate the torque needed during acceleration relative to the load inertia and the specified acceleration time. If it is not possible to set the proper amount of torque, make the following changes: <ul style="list-style-type: none"> <li>Increase the acceleration time (C1-01, C1-03, C1-05, C1-07)</li> <li>Increase the S-curve characteristics (C2-01 through C2-04)</li> <li>Use a drive that is one frame larger.</li> </ul>
The drive is attempting to operate a specialized motor or a motor larger than the rated current allowed		<ul style="list-style-type: none"> <li>Check the motor capacity.</li> <li>Ensure that the rated current of the drive is greater than or equal to the current rating found on the motor nameplate.</li> </ul>
Magnetic contactor (MC) on the output side of the drive has turned on or off		Set up the operation sequence so the MC does not trip while the drive is outputting current.
V/f setting is not operating as expected		<ul style="list-style-type: none"> <li>Check the ratios between the voltage and frequency.</li> <li>Set parameters E1-04 through E1-10 appropriately (E3-04 through E3-10 for motor 2).</li> <li>Lower the voltage if it is too high relative to the frequency.</li> </ul>
Excessive torque compensation		<ul style="list-style-type: none"> <li>Check the amount of torque compensation.</li> <li>Reduce the torque compensation gain (C4-01) until there is no speed loss and less current.</li> </ul>
Drive fails to operate properly due to electrical signal interference		<ul style="list-style-type: none"> <li>Review the possible solutions provided for handling electrical signal interference.</li> <li>Review the section on handling noise interference on page 379 and check the control circuit lines, main circuit lines, and ground wiring.</li> </ul>
Overexcitation gain is set too high		<ul style="list-style-type: none"> <li>Check if the fault occurs simultaneously with overexcitation function operation.</li> <li>Consider motor flux saturation and reduce the value of n3-13 (Overexcitation Deceleration Gain).</li> </ul>
Run command was applied while motor was coasting		<ul style="list-style-type: none"> <li>Set b3-01 to 1 to enable Speed Search at Start.</li> <li>Program the Speed Search command input through one of the multi-function contact input terminals (H1-□□ = 61 or 62).</li> </ul>
The wrong motor code has been entered for OLV/PM (Yaskawa motors only) or the motor data are wrong		<ul style="list-style-type: none"> <li>Enter the correct motor code to E5-01.</li> <li>Set E5-01 to FFFF if using a non-Yaskawa PM motor. Set the correct motor data to the E5-□□ parameters or perform Auto-Tuning.</li> </ul>
The overcurrent level has exceeded the value set to L8-27 (PM control modes)		Correct the value set to overcurrent detection gain (L8-27).
The motor control method and motor do not match		<ul style="list-style-type: none"> <li>Check the control mode.</li> <li>For IM motors, set A1-02 to 0, 1, 2, or 3.</li> <li>For PM motors, set A1-02 to 5, 6, or 7.</li> </ul>
The rated output current of the drive is too small		Use a larger drive.

Digital Operator Display		Fault Name
<i>oFR00</i>	oFA00	Option Card Connection Error at Option Port CN5-A
		Option compatibility error
<b>Cause</b>		<b>Possible Solution</b>
The option card installed into port CN5-A is incompatible with the drive		Check if the drive supports the option card to be installed. Contact Yaskawa for assistance.
A PG option card is connected to option port CN5-A		PG option cards are supported by option ports CN5-B and CN5-C only. Connect the PG option card to the correct option port.

Digital Operator Display		Fault Name
<i>oFR01</i>	oFA01	Option Card Fault at Option Port CN5-A
		Option not properly connected
<b>Cause</b>		<b>Possible Solution</b>
The option card connection to port CN5-A is faulty		<ul style="list-style-type: none"> <li>Turn off the power and reconnect the option card.</li> <li>Check if the option card is properly plugged into the option port. Make sure the card is fixed properly.</li> <li>If the option is not a communication option card, try to use the card in a different option port. If the option card works properly in a different option port, CN5-A is damaged, and the drive requires replacement. If the error persists (oFb01 or oFC01 occur), replace the option card.</li> </ul>

Digital Operator Display		Fault Name
<i>oFR02</i> to <i>oFR06</i>	oFA02 to oFA06	Option Card Error Occurred at Option Port CN5-A
<i>oFR10</i> , <i>oFR11</i>	oFA10, oFA11	
<i>oFR12</i> to <i>oFR17</i>	oFA12 to oFA17	Option Card Connection Error (CN5-A)
<i>oFR30</i> to <i>oFR43</i>	oFA30 to oFA43	Communication Option Card Connection Error (CN5-A)
<b>Cause</b>		<b>Possible Solution</b>
Option card or hardware is damaged		<ul style="list-style-type: none"> <li>Cycle power to the drive.</li> <li>If the problem continues, replace the control board or the entire drive. Contact Yaskawa or a Yaskawa representative for instructions on replacing the control board.</li> </ul>

Digital Operator Display		Fault Name
<i>oFb00</i>	oFb00	Option Card Fault at Option Port CN5-B
		Option compatibility error
<b>Cause</b>		<b>Possible Solution</b>
The option card installed into port CN5-B is incompatible with the drive		Make sure the drive supports the option card to be installed. Contact Yaskawa for assistance.
A communication option card has been installed in option port CN5-B		Communication option cards are only supported by option port CN5-A. It is not possible to install more than one communication option.

Digital Operator Display		Fault Name
<i>oFb01</i>	oFb01	Option Card Fault at Option Port CN5-B
		Option not properly connected
<b>Cause</b>		<b>Possible Solution</b>
The option card connection to port CN5-B is faulty		<ul style="list-style-type: none"> <li>Turn off the power and reconnect the option card.</li> <li>Check if the option card is properly plugged into the option port. Make sure the card is fixed properly.</li> <li>Try to use the card in a different option port (in case of a PG option, use port CN5-C). If the option card works properly in a different option port, CN5-B is damaged, and the drive requires replacement. If the error persists (oFA01 or oFC01 occur), replace the option card.</li> </ul>

Digital Operator Display		Fault Name
<i>oFb02</i>	oFb02	Option Card Fault at Option Port CN5-B
		Same type of option card is currently connected
<b>Cause</b>		<b>Possible Solution</b>
An option card of the same type is already installed in option port CN5-A		Except for PG options, only one of each option card type can only be installed simultaneously. Make sure only one type of option card is connected.
An input option card is already installed in option port CN5-A		Install a communication option, a digital input option, or an analog input option. More than one of the same type of card cannot be installed simultaneously.

## 6.4 Fault Detection

Digital Operator Display		Fault Name
oFb03 to oFb11	oFb03 to oFb11	Option card error occurred at Option Port CN5-B
oFb12 to oFb17	oFb12 to oFb17	
Cause		Possible Solution
Option card or hardware is damaged		<ul style="list-style-type: none"> <li>• Cycle power to the drive.</li> <li>• If the problem continues, replace the control board or the entire drive. Contact Yaskawa or a Yaskawa representative for instructions on replacing the control board.</li> </ul>

Digital Operator Display		Fault Name
oFC00	oFC00	Option Card Connection Error at Option Port CN5-C
		Option compatibility error
Cause		Possible Solution
The option card installed into port CN5-C is incompatible with the drive		Confirm that the drive supports the option card to be installed. Contact Yaskawa for assistance.
A communication option card has been installed in option port CN5-C		Communication option cards are only supported by option port CN5-A. It is not possible to install more than one communication option.

Digital Operator Display		Fault Name
oFC01	oFC01	Option Card Fault at Option Port CN5-C
		Option not properly connected
Cause		Possible Solution
The option card connection to port CN5-C is faulty.		<ul style="list-style-type: none"> <li>• Turn the power off and reconnect the option card.</li> <li>• Check if the option card is properly plugged into the option port. Make sure the card is fixed properly.</li> <li>• Try to use the card in a different option port (in case of a PG option, use port CN5-B). If the option card works properly in a different option port, CN5-C is damaged, and the drive requires replacement. If the error persists (oFA01 or oFb01 occur), replace the option card.</li> </ul>

Digital Operator Display		Fault Name
oFC02	oFC02	Option Card Fault at Option Port CN5-C
		Same type of option card is currently connected
Cause		Possible Solution
An option card of the same type is already installed in option port CN5-A or CN5-B.		Except for PG options, only one of each option card type can only be installed simultaneously. Make sure only one type of option card is connected.
An input option card is already installed in option port CN5-A or CN5-B.		Install a communication option, a digital input option, or an analog input option. More than one of the same type of card cannot be installed simultaneously.
Three PG option boards are installed.		A maximum of two PG option boards can be used simultaneously. Remove the PG option board installed into option port CN5-A.

Digital Operator Display		Fault Name
oFC03 to oFC11	oFC03 to oFC11	Option Card Error Occurred at Option Port CN5-C
oFC12 to oFC17	oFC12 to oFC17	
Cause		Possible Solution
Option card or hardware is damaged		<ul style="list-style-type: none"> <li>• Cycle power to the drive.</li> <li>• If the problem continues, replace the control board or the entire drive. Contact Yaskawa or a Yaskawa representative for instructions on replacing the control board.</li> </ul>

Digital Operator Display		Fault Name
oFC50 to oFC55	oFC50 to oFC55	Option Card Error Occurred at Option Port CN5-C
Cause		Possible Solution
Option card or hardware is damaged		Refer to the option manual for details.

Digital Operator Display		Fault Name
oH	oH	Heatsink Overheat
		The heatsink temperature exceeded the overheat pre-alarm level set to L8-02. The default value for L8-02 is determined by drive model selection (o2-04).
Cause		Possible Solution

Surrounding temperature is too high	<ul style="list-style-type: none"> <li>• Check the temperature surrounding the drive. Verify temperature is within drive specifications.</li> <li>• Improve the air circulation within the enclosure panel.</li> <li>• Install a fan or air conditioner to cool the surrounding area.</li> <li>• Remove anything near the drive that might be producing excessive heat.</li> </ul>
Load is too heavy	<ul style="list-style-type: none"> <li>• Measure the output current.</li> <li>• Decrease the load.</li> <li>• Lower the carrier frequency selection (C6-02).</li> </ul>
Internal cooling fan is stopped	<ul style="list-style-type: none"> <li>• Replace the cooling fan.</li> <li>• After replacing the cooling fan, set parameter o4-03 to 0 to reset the cooling fan maintenance.</li> </ul>

Digital Operator Display		Fault Name
<i>oH1</i>	oH1	Overheat 1 (Heatsink Overheat)
		The heatsink temperature exceeded the drive overheat level. Overheat level is determined by drive capacity (o2-04).
<b>Cause</b>		<b>Possible Solution</b>
Surrounding temperature is too high		<ul style="list-style-type: none"> <li>• Check the temperature surrounding the drive.</li> <li>• Improve the air circulation within the enclosure panel.</li> <li>• Install a fan or air conditioner to cool the surrounding area.</li> <li>• Remove anything near the drive that might be producing excessive heat.</li> </ul>
Load is too heavy		<ul style="list-style-type: none"> <li>• Measure the output current.</li> <li>• Lower the carrier frequency selection (C6-02).</li> <li>• Reduce the load.</li> </ul>

Digital Operator Display		Fault Name
<i>oH3</i>	oH3	Motor Overheat Alarm (PTC Input)
		<ul style="list-style-type: none"> <li>• The motor overheat signal to analog input terminal A1, A2, or A3 exceeded the alarm detection level.</li> <li>• Detection requires setting multi-function analog inputs H3-02, H3-10, or H3-06 to E.</li> </ul>
<b>Cause</b>		<b>Possible Solution</b>
Motor has overheated		<ul style="list-style-type: none"> <li>• Check the size of the load, the accel/decel times, and the cycle times.</li> <li>• Decrease the load.</li> <li>• Increase the acceleration and deceleration times (C1-01 through C1-08).</li> <li>• Adjust the preset V/f pattern (E1-04 through E1-10) by reducing E1-08 and E1-10.</li> <li>• Do not set E1-08 and E1-10 too low. This reduces load tolerance at low speeds.</li> <li>• Check the motor rated current.</li> <li>• Enter the motor rated current to parameter E2-01 as indicated on the motor nameplate.</li> <li>• Ensure the motor cooling system is operating normally.</li> <li>• Repair or replace the motor cooling system.</li> </ul>

Digital Operator Display		Fault Name
<i>oH4</i>	oH4	Motor Overheat Fault (PTC Input)
		<ul style="list-style-type: none"> <li>• The motor overheat signal to analog input terminal A1, A2, or A3 exceeded the fault detection level.</li> <li>• Detection requires setting multi-function analog inputs H3-02, H3-10, or H3-06 to E.</li> </ul>
<b>Cause</b>		<b>Possible Solution</b>
Motor has overheated		<ul style="list-style-type: none"> <li>• Check the size of the load, the accel/decel times, and the cycle times.</li> <li>• Decrease the load.</li> <li>• Increase the acceleration and deceleration times (C1-01 through C1-08).</li> <li>• Adjust the preset V/f pattern (E1-04 through E1-10) by reducing E1-08 and E1-10.</li> <li>• Do not set E1-08 and E1-10 too low. This reduces load tolerance at low speeds.</li> <li>• Check the motor rated current.</li> <li>• Enter the motor rated current to parameter E2-01 as indicated on the motor nameplate.</li> <li>• Ensure the motor cooling system is operating normally.</li> <li>• Repair or replace the motor cooling system.</li> </ul>

Digital Operator Display		Fault Name
<i>oL1</i>	oL1	Motor Overload
		The electronic motor overload protection tripped

## 6.4 Fault Detection

Digital Operator Display		Fault Name
Cause		Possible Solution
Load is too heavy		Reduce the load. <b>Note:</b> Reset oL1 when the U4-16 value falls below 100.0%. U4-16 value must be less than 100.0% before oL1 can be reset.
Cycle times are too short during acceleration and deceleration		Increase the acceleration and deceleration times (C1-01 through C1-08).
A general-purpose motor is driven below the rated speed with a high load		<ul style="list-style-type: none"> <li>Reduce the load.</li> <li>Increase the speed.</li> <li>If the motor is supposed to operate at low speeds, either increase the motor capacity or use a motor specifically designed to operate in the desired speed range.</li> </ul>
The output voltage is too high		<ul style="list-style-type: none"> <li>Adjust the user-set V/f pattern (E1-04 through E1-10) by reducing E1-08 and E1-10.</li> <li>Do not set E1-08 and E1-10 too low. This reduces load tolerance at low speeds.</li> </ul>
The wrong motor rated current is set to E2-01		<ul style="list-style-type: none"> <li>Check the motor-rated current.</li> <li>Enter the motor rated current to parameter E2-01 as indicated on the motor nameplate.</li> </ul>
The base frequency is set incorrectly		<ul style="list-style-type: none"> <li>Check the rated frequency indicated on the motor nameplate.</li> <li>Enter the rated frequency to E1-06 (Base Frequency).</li> </ul>
The electrical thermal protection characteristics and motor overload characteristics do not match		<ul style="list-style-type: none"> <li>Check the motor characteristics.</li> <li>Correct the type of motor protection that has been selected (L1-01).</li> <li>Install an external thermal relay.</li> </ul>
The electrical thermal relay is operating at the wrong level		<ul style="list-style-type: none"> <li>Check the current rating listed on the motor nameplate.</li> <li>Check the value set for the motor rated current (E2-01).</li> </ul>
Motor overheated by overexcitation operation		<ul style="list-style-type: none"> <li>Overexcitation increases the motor loss and the motor temperature. Excessive duration of overexcitation may cause motor damage. Prevent excessive overexcitation operation or apply proper cooling to the motor.</li> <li>Reduce the excitation deceleration gain (n3-13).</li> <li>Set L3-04 (Stall Prevention during Deceleration) to a value other than 4.</li> </ul>
Parameters related to Speed Search are set incorrectly		<ul style="list-style-type: none"> <li>Check values set to Speed Search related parameters.</li> <li>Reduce the Speed Search Operation Current Level 1 (Current Detection Type 2) (b3-31).</li> <li>After Auto-Tuning, set b3-24 to 1 to enable Speed Estimation Speed Search.</li> </ul>
Output current fluctuation due to power supply loss		Check the power supply for phase loss.

Digital Operator Display		Fault Name
Cause		Possible Solution
oL2	oL2	Drive Overload
		The thermal sensor of the drive triggered overload protection.
Load is too heavy		Reduce the load.
Acceleration or deceleration time is too short		Increase the settings for the acceleration and deceleration times (C1-01 through C1-08).
The output voltage is too high		<ul style="list-style-type: none"> <li>Adjust the preset V/f pattern (E1-04 through E1-10) by reducing E1-08 and E1-10.</li> <li>Do not lower E1-08 and E1-10 excessively. This reduces load tolerance at low speeds.</li> </ul>
Drive capacity is too small		Use a larger drive.
Overload occurred when operating at low speeds		<ul style="list-style-type: none"> <li>Reduce the load when operating at low speeds.</li> <li>Use a larger drive.</li> <li>Lower the carrier frequency (C6-02).</li> </ul>
Excessive torque compensation		Reduce the torque compensation gain in parameter C4-01 until there is no speed loss but less current.
Parameters related to Speed Search are set incorrectly		<ul style="list-style-type: none"> <li>Check the settings for all Speed Search related parameters.</li> <li>Adjust the current used during the Speed Search deceleration time (b3-03).</li> <li>After Auto-Tuning, set b3-24 to 1 to enable Speed Estimation Speed Search.</li> </ul>
Output current fluctuation due to input phase loss		Check the power supply for phase loss.

Digital Operator Display		Fault Name
oL3	oL3	Overtorque Detection 1
		The current has exceeded the value set for Torque Detection Level 1 (L6-02) for longer than the allowable time (L6-03).

Cause	Possible Solution
Parameter settings are not appropriate for the load	Check L6-02 and L6-03 settings.
Fault on the machine side (e.g., machine is locked up)	Check the status of the load. Remove the cause of the fault.

Digital Operator Display	Fault Name
oL4	oL4
	Overtorque Detection 2
	The current has exceeded the value set for Torque Detection Level 2 (L6-05) for longer than the allowable time (L6-06).
Cause	Possible Solution
Parameter settings are not appropriate for the load	Check the settings of parameters L6-05 and L6-06.

Digital Operator Display	Fault Name
oL5	oL5
	Mechanical Weakening Detection 1
	Overtorque occurred, matching the conditions specified in L6-08.
Cause	Possible Solution
Overtorque triggered mechanical weakening detection level set to L6-08	Identify the cause of mechanical weakening.

Digital Operator Display	Fault Name
oPr	oPr
	External Digital Operator Connection Fault
	The external operator has been disconnected from the drive.
	<b>Note:</b> An oPr fault will occur when all of the following conditions are true: <ul style="list-style-type: none"> <li>• Output is interrupted when the operator is disconnected (o2-06 = 1).</li> <li>• The Run command is assigned to the operator (b1-02 = 0 and LOCAL has been selected).</li> </ul>
Cause	Possible Solution
External operator is not properly connected to the drive	<ul style="list-style-type: none"> <li>• Check the connection between the operator and the drive.</li> <li>• Replace the cable if damaged.</li> <li>• Turn off the drive input power and disconnect the operator. Reconnect the operator and reapply drive input power.</li> </ul>

Digital Operator Display	Fault Name
oS	oS
	Overspeed
	The motor speed feedback exceeded the F1-08 setting.
Cause	Possible Solution
Overshoot is occurring	<ul style="list-style-type: none"> <li>• Reduce the C5-01, Speed Control Proportional Gain 1, setting and increase the C5-02, Speed Control Integral Time 1, setting.</li> <li>• If using Closed Loop Vector mode, enable Feed Forward and perform Inertia Auto-Tuning.</li> </ul>
Incorrect speed feedback scaling if terminal RP is used as speed feedback input in V/f control	<ul style="list-style-type: none"> <li>• Set H6-02 to the value of the speed feedback signal frequency when the motor runs at the maximum speed.</li> <li>• Adjust the input signal using parameters H6-03 through H6-05.</li> </ul>
Incorrect number of PG pulses has been set	Check and correct parameter F1-01.
Inappropriate parameter settings	Check the setting for the overspeed detection level and the overspeed detection time (F1-08 and F1-09).

Digital Operator Display	Fault Name
oV	oV
	Control Circuit Overvoltage
	Voltage in the control circuit has exceeded the overvoltage level. <ul style="list-style-type: none"> <li>• For 200 V class drives: approximately 450 V</li> <li>• For 400 V class drives: approximately 900 V</li> </ul>
Cause	Possible Solution
Ground fault in the output circuit causing the capacitor to overcharge.	<ul style="list-style-type: none"> <li>• Check the motor wiring for ground faults.</li> <li>• Correct grounding shorts and reapply power.</li> </ul>
Drive input power voltage is too high.	<ul style="list-style-type: none"> <li>• Check the voltage.</li> <li>• Lower drive input power voltage within the limits listed in the specifications.</li> </ul>

## 6.4 Fault Detection

Digital Operator Display	Fault Name
The capacity of the input power supply is too small.	Use a power supply that has at least twice the input capacity of the drive.
The input power supply repeatedly turned on and off over a short period of time.	Implement countermeasures so that chattering does not occur for the input power supply.
An I/O terminal is loose.	Check the tightening torque of the I/O terminals.
Chattering in the magnetic contactor (MC) installed between the drive output terminals and the motor.	Implement countermeasures so that chattering does not occur for the MC.
There is a phase loss or an imbalance in the interphase voltages of the input power supply.	Check the status of the input power supply and eliminate phase losses and imbalance.

Digital Operator Display	Fault Name
$PGo$	PG Disconnect (for any control modes using a PG option card)
PGo	No PG pulses are received for longer than the time set to F1-14.
<b>Cause</b>	<b>Possible Solution</b>
PG cable is disconnected	Reconnect the cable.
PG cable wiring is wrong	Correct the wiring.
PG has no power	Check the power line to the PG encoder.
PG encoder brake is clamped shut	Ensure the motor brake releases properly.

Digital Operator Display	Fault Name
$PGoH$	PG Hardware Fault (detected when using a PG-X3 option card)
PGoH	PG cable is not connected properly.
<b>Cause</b>	<b>Possible Solution</b>
PG cable is disconnected	Reconnect the cable and check the setting of F1-20.

Digital Operator Display	Fault Name
$SCF$	Safety Circuit Fault
SCF	Safety Circuit Fault is detected.
<b>Cause</b>	<b>Possible Solution</b>
The safety circuit is damaged.	Replace either the control board or the entire drive. For instructions on replacing the control board, contact Yaskawa or your nearest sales representative.

Digital Operator Display	Fault Name
$SEr$	Too Many Speed Search Restarts
SEr	The number of Speed Search restarts exceeded the value set to b3-19.
<b>Cause</b>	<b>Possible Solution</b>
Parameters related to Speed Search are set to the wrong values	<ul style="list-style-type: none"> <li>Reduce the detection compensation gain during Speed Search (b3-10).</li> <li>Increase the current level when attempting Speed Search (b3-17).</li> <li>Increase the detection time during Speed Search (b3-18).</li> <li>Repeat Auto-Tuning.</li> </ul>
The motor is coasting in the opposite direction of the Run command	Set b3-14 to 1 to enable Bi-Directional Speed Search.

Digital Operator Display	Fault Name
$SoH$	Snubber Discharge Resistor Overheat
SoH	
<b>Cause</b>	<b>Possible Solution</b>
<ul style="list-style-type: none"> <li>The input power supply voltage is too high.</li> <li>The capacity of the power supply is too small.</li> <li>The distortion in the power supply is too large.</li> </ul>	<ul style="list-style-type: none"> <li>Reduce the voltage to within the range in the power supply specifications.</li> <li>Increase the capacity of the power supply.</li> <li>Lower the impedance of the input power supply wiring.</li> </ul>
The load was too large during repetitious operation.	<ul style="list-style-type: none"> <li>Check the load conditions. Reduce the load.</li> <li>Increase the acceleration/deceleration time.</li> </ul>
A phase loss occurred in the input power supply.	Check the input power supply for phase loss or an imbalance in the interphase voltages.



Digital Operator Display		Fault Name
SrC	SrC	Phase Order Detection Fault
		The phase rotation direction for the input power supply changed.
<b>Cause</b>		<b>Possible Solution</b>
The power supply phase order changed during operation.		Investigate and correct the cause and reset the fault. <i>Refer to Diagnosing and Resetting Faults on page 371.</i>
An input power supply wiring terminal is loose.		
The fluctuation in the voltage of the input power supply is too large.		

Digital Operator Display		Fault Name
Srr	Srr	Internal Resistance Fault
		An operation failure occurred in the snubber discharge resistor circuit.
<b>Cause</b>		<b>Possible Solution</b>
The snubber discharge resistor or peripheral circuits failed.		<ul style="list-style-type: none"> <li>• Cycle power to the drive.</li> <li>• If the problem continues, replace either the control board or the entire drive. For instructions on replacing the control board, contact Yaskawa or your nearest sales representative.</li> </ul>

Digital Operator Display		Fault Name
STo	STo	Pull-Out Detection
		Motor pull out or step out has occurred. Motor has exceeded its pull-out torque.
<b>Cause</b>		<b>Possible Solution</b>
The wrong motor code is set (Yaskawa motors only)		<ul style="list-style-type: none"> <li>• Enter the correct motor code for the PM being used into E5-01.</li> <li>• For special-purpose motors, enter the correct data to all E5 parameters according to the test report provided for the motor.</li> </ul>
Load is too heavy		<ul style="list-style-type: none"> <li>• Increase the load inertia for PM motor (n8-55).</li> <li>• Increase the pull-in current during accel/decel (n8-51).</li> <li>• Reduce the load.</li> <li>• Use a larger motor and drive.</li> </ul>
Load inertia is too heavy		Increase the load inertia for PM motor (n8-55).
Acceleration and deceleration times are too short		<ul style="list-style-type: none"> <li>• Increase the acceleration and deceleration times (C1-01 through C1-08).</li> <li>• Increase the S-curve acceleration and deceleration times (C2-01).</li> </ul>
Speed response is too slow		Increase the load inertia for PM motor (n8-55).

Digital Operator Display		Fault Name
SvE	SvE	Zero Servo Fault
		Position deviation during zero servo.
<b>Cause</b>		<b>Possible Solution</b>
Torque limit is set too low		Set the torque limit to an appropriate value using parameters L7-01 to L7-04.
Excessive load torque		Reduce the amount of load torque.
Electrical signal interference along PG encoder wiring		Check the PG signal for electrical signal interference.

Digital Operator Display		Fault Name
UL3	UL3	Undertorque Detection 1
		The current has fallen below the minimum value set for Torque Detection Level 1 (L6-02) for longer than the allowable time (L6-03).
<b>Cause</b>		<b>Possible Solution</b>
Parameter settings are not appropriate for the load		Check the settings of parameters L6-02 and L6-03.
There is a fault on the machine side		Check the load for any problems.

## 6.4 Fault Detection

Digital Operator Display		Fault Name
UL4	UL4	Undertorque Detection 2
		The current has fallen below the minimum value set for Torque Detection Level 2 (L6-05) for longer than the allowable time (L6-06).
<b>Cause</b>		<b>Possible Solution</b>
Parameter settings are not appropriate for the load		Check L6-05 and L6-06 settings
There is a fault on the machine side		Check the load for any problems.

Digital Operator Display		Fault Name
UL5	UL5	Mechanical Weakening Detection 2
		The operation conditions matched the conditions set to L6-08.
<b>Cause</b>		<b>Possible Solution</b>
Undertorque was detected and matched the conditions for mechanical loss detection set to L6-08		Check the load side for any problems.

Digital Operator Display		Fault Name
Uv1	Uv1	Control Circuit Undervoltage Fault
		Voltage in the control circuit fell below the detection level: <ul style="list-style-type: none"> <li>For 200 V class drives: approximately 175 V</li> <li>For 400 V class drives: approximately 350 V</li> </ul>
<b>Cause</b>		<b>Possible Solution</b>
Input power phase loss		<ul style="list-style-type: none"> <li>The main circuit drive input power is wired incorrectly.</li> <li>Correct the wiring.</li> </ul>
One of the drive input power wiring terminals is loose		<ul style="list-style-type: none"> <li>Ensure there are no loose terminals.</li> <li>Apply the tightening torque specified in this manual to fasten the terminals. <i>Refer to Main Circuit Wire Gauges and Tightening Torque on page 81</i> for details.</li> </ul>
There is a problem with the voltage from the drive input power		<ul style="list-style-type: none"> <li>Check the voltage.</li> <li>Correct the voltage to be within the range listed in drive input power specifications.</li> <li>If there is no problem with the power supply to the main circuit, check for problems with the main circuit magnetic contactor.</li> </ul>
The power has been interrupted		Correct the drive input power.
The capacitors are worn.		<ul style="list-style-type: none"> <li>Check the maintenance time for the capacitors (U4-05).</li> <li>Replace the entire drive if U4-05 exceeds 90%. Contact Yaskawa or your nearest sales representative.</li> </ul>
The relay or contactor on the soft-charge bypass circuit is damaged.		<ul style="list-style-type: none"> <li>Cycle power to the drive.</li> <li>If the problem continues, replace the entire drive. Contact Yaskawa or your nearest sales representative.</li> <li>Check monitor U4-06 for the performance life of the soft-charge bypass.</li> <li>Replace the entire drive if U4-06 exceeds 90%. Contact Yaskawa or your nearest sales representative.</li> </ul>

Digital Operator Display		Fault Name
Uv2	Uv2	Control Power Supply Voltage Fault
		Voltage is too low for the control drive input power.
<b>Cause</b>		<b>Possible Solution</b>
Control power supply wiring is damaged		<ul style="list-style-type: none"> <li>Cycle power to the drive.</li> <li>If the problem continues, replace the entire drive or the control power supply.</li> </ul>
Internal circuitry is damaged		<ul style="list-style-type: none"> <li>Cycle power to the drive.</li> <li>If the problem continues, replace the entire drive. Contact Yaskawa or your nearest sales representative.</li> </ul>

Digital Operator Display		Fault Name
Uv3	Uv3	Undervoltage 3 (Soft-Charge Bypass Relay Fault)
		The soft-charge bypass relay failed.
<b>Cause</b>		<b>Possible Solution</b>
The relay or contactor on the soft-charge bypass circuit is damaged.		<ul style="list-style-type: none"> <li>Cycle power to the drive.</li> <li>If the problem continues, replace the entire drive. Contact Yaskawa or your nearest sales representative.</li> <li>Check monitor U4-06 for the performance life of the soft-charge bypass.</li> <li>Replace the entire drive if U4-06 exceeds 90%. Contact Yaskawa or your nearest sales representative.</li> </ul>

## 6.5 Alarm Detection

### ◆ Alarm Codes, Causes, and Possible Solutions

Alarms are drive protection functions that do not necessarily cause the drive to stop. After removing the cause of an alarm, the drive will return to the same status it was before the alarm occurred.

When an alarm has been triggered, the ALM light on the digital operator display blinks and the alarm code display flashes. If a multi-function output is set for an alarm (H2-□□ = 10), that output terminal will be triggered.

**Note:** If a multi-function output is set to close when an alarm occurs (H2-□□ = 10), it will also close when maintenance periods are reached, triggering alarms LT-1 through LT-3 (triggered only if H2-□□ = 2F).

**Table 6.15 Alarm Codes, Causes, and Possible Solutions**

Digital Operator Display		Minor Fault Name
<i>AEr</i>	AEr	Station Address Setting Error (CC-Link, CANopen, MECHATROLINK)
<b>Cause</b>		<b>Possible Solutions</b>
Station number is set outside the possible setting range.		<ul style="list-style-type: none"> <li>Set parameter F6-10 to the proper value when using a CC-Link option.</li> <li>Set parameter F6-35 to the proper value when using a CANopen option.</li> </ul>
Digital Operator Display		Minor Fault Name
<i>AUv</i>	AUv	Power Supply Undervoltage
<b>Cause</b>		<b>Possible Solution</b>
The power supply voltage is low.		Increase the power supply voltage.
A phase loss occurred in the input power supply.		Check the input power supply for phase loss or an imbalance in the interphase voltages. Investigate and correct the cause and then reset the fault.
Voltage detection failed.		Correctly wire r1/ I11, s1/ I21, and t1/ I31.
Digital Operator Display		Minor Fault Name
<i>bb</i>	bb	Baseblock
<b>Cause</b>		<b>Possible Solutions</b>
External baseblock signal was entered via one of the multi-function input terminals (S1 to S8).		Check external sequence and baseblock signal input timing. <b>Note:</b> Baseblock alarm “bb” will not activate a digital output programmed for minor fault H2-0□ = 10. Set H2-0□ = 8 or 1B to activate a digital output for “bb”.
Digital Operator Display		Minor Fault Name
<i>bUS</i>	bUS	Option Communication Error
<b>Cause</b>		<b>Possible Solutions</b>
Connection is broken or master controller stopped communicating.		<ul style="list-style-type: none"> <li>Check for faulty wiring.</li> <li>Correct the wiring.</li> <li>Check for disconnected cables and short circuits. Repair as needed.</li> </ul>
Option is damaged.		If there are no problems with the wiring and the fault continues to occur, replace the option.
The option is not properly connected to the drive.		<ul style="list-style-type: none"> <li>The connector pins on the option are not properly lined up with the connector pins on the drive.</li> <li>Reinstall the option.</li> </ul>

## 6.5 Alarm Detection

A data error occurred due to noise.	<ul style="list-style-type: none"> <li>• Check options available to minimize the effects of noise.</li> <li>• Take steps to counteract noise in the control circuit wiring, main circuit lines and ground wiring.</li> <li>• Try to reduce noise on the controller side.</li> <li>• Use surge absorbers on magnetic contactors or other equipment causing the disturbance.</li> <li>• Use recommended cables or some other type of shielded line. Ground the shield to the controller side or on the input power side.</li> <li>• Separate the wiring for communication devices from the drive input power lines. Install an EMC noise filter to the drive input power.</li> </ul>
-------------------------------------	--

Digital Operator Display		Minor Fault Name
[ALL]	CALL	Serial Communication Transmission Error
		Communication has not yet been established.
<b>Cause</b>		<b>Possible Solutions</b>
Communications wiring is faulty, there is a short circuit, or something is not connected properly.		<ul style="list-style-type: none"> <li>• Check for wiring errors.</li> <li>• Correct the wiring.</li> <li>• Check for disconnected cables and short circuits. Repair as needed.</li> </ul>
Programming error on the master side.		Check communications at start-up and correct programming errors.
Communications circuitry is damaged.		<ul style="list-style-type: none"> <li>• Perform a self-diagnostics check.</li> <li>• If the problem continues, replace either the control board or the entire drive. For instructions on replacing the control board, contact Yaskawa or your nearest sales representative.</li> </ul>
Termination resistor setting is incorrect.		Install a termination resistor at both ends of a communication line. Set the internal termination resistor switch correctly on slave drives. Place DIP switch S2 to the ON position.

Digital Operator Display		Minor Fault Name
[E]	CE	MEMOBUS/Modbus Communication Error
		Control data was not received correctly for two seconds.
<b>Cause</b>		<b>Possible Solutions</b>
A data error occurred due to noise.		<ul style="list-style-type: none"> <li>• Check options available to minimize the effects of noise.</li> <li>• Take steps to counteract noise in the control circuit wiring, main circuit lines, and ground wiring.</li> <li>• Reduce noise on the controller side.</li> <li>• Use surge absorbers for the magnetic contactors or other components that may be causing the disturbance.</li> <li>• Use only recommended shielded line. Ground the shield on the controller side or on the drive input power side.</li> <li>• Separate all wiring for communication devices from drive input power lines. Install an EMC noise filter to the drive input power supply.</li> </ul>
Communication protocol is incompatible.		<ul style="list-style-type: none"> <li>• Check the H5 parameter settings and the protocol setting in the controller.</li> <li>• Ensure settings are compatible.</li> </ul>
The CE detection time (H5-09) is set shorter than the time required for a communication cycle to take place.		<ul style="list-style-type: none"> <li>• Check the PLC.</li> <li>• Change the software settings in the PLC.</li> <li>• Set a longer CE detection time using parameter H5-09.</li> </ul>
Incompatible PLC software settings or there is a hardware problem.		<ul style="list-style-type: none"> <li>• Check the PLC.</li> <li>• Remove the cause of the error on the controller side.</li> </ul>
Communications cable is disconnected or damaged.		<ul style="list-style-type: none"> <li>• Check the connector to make sure the cable has a signal.</li> <li>• Replace the communications cable.</li> </ul>

Digital Operator Display		Minor Fault Name
[rSt]	CrST	Cannot Reset
		<b>Possible Solutions</b>
Fault reset was being executed when a Run command was entered.		<ul style="list-style-type: none"> <li>• Ensure that a Run command cannot be entered from the external terminals or option during fault reset.</li> <li>• Turn off the Run command.</li> </ul>

Digital Operator Display		Minor Fault Name
[yC]	CyC	MECHATROLINK Comm. Cycle Setting Error
		Comm. Cycle Setting Error was detected.
<b>Cause</b>		<b>Possible Solutions</b>
The controller is using a comm. cycle beyond the allowable setting range for the MECHATROLINK option.		Set the comm. cycle for the upper controller within the allowable setting range for the MECHATROLINK option.

Digital Operator Display		Minor Fault Name
$dEv$	dEv	Speed Deviation (for Control Mode with PG) The deviation between the speed detection value for the pulse input and the speed reference after speed agreement was reached exceeded the setting value of F1-10 for the time set in F1-11 or longer when the Operation Selection at Deviation was set to continue operation (F1-04 = 3).
<b>Cause</b>		<b>Possible Solution</b>
The load is too heavy.		Reduce the load.
Acceleration and deceleration times are set too short.		Increase the acceleration and deceleration times (C1-01 through C1-08).
The load is locked up.		Check the machine.
Parameter settings are incorrect.		Check the settings of parameters F1-10 and F1-11.
The motor brake has engaged.		Ensure the brake releases properly.
The torque limit is small for the load.		Increase the setting values of L7-01 to L7-04, the value of the torque limit from the analog input, or the value of the torque limit set from the communication option.

Digital Operator Display		Minor Fault Name
$dnE$	dnE	Drive Disabled
<b>Cause</b>		<b>Possible Solutions</b>
“Drive Enable” is set to a multi-function contact input (H1-□□ = 6A) and that signal was switched off.		Check the operation sequence.

Digital Operator Display		Minor Fault Name
$doH$	doH	Damping Resistor Overheat The temperature of the built-in damping resistor exceeded the set value.
<b>Cause</b>		<b>Possible Solution</b>
<ul style="list-style-type: none"> <li>The capacity of the power supply is too small.</li> <li>The distortion in the power supply is too large.</li> </ul>		<ul style="list-style-type: none"> <li>Increase the capacity of the power supply.</li> <li>Lower the impedance of the input power supply wiring.</li> </ul>
A phase loss occurred in the input power supply.		Check the input power supply for phase loss or an imbalance in the interphase voltages.

Digital Operator Display		Minor Fault Name
$EF$	EF	Forward/Reverse Run Command Input Error Both forward run and reverse run closed simultaneously for longer than 0.5 s.
<b>Cause</b>		<b>Possible Solutions</b>
Sequence error		Check the forward and reverse command sequence and correct the problem. <b>Note:</b> When minor fault EF detected, motor ramps to stop.

Digital Operator Display		Minor Fault Name
$EF0$	EF0	Option Card External Fault An external fault condition is present.
<b>Cause</b>		<b>Possible Solutions</b>
An external fault was received from the PLC with F6-03 set to 3, which allows the drive to continue running after an external fault occurs.		<ul style="list-style-type: none"> <li>Remove the cause of the external fault.</li> <li>Remove the external fault input from the PLC.</li> </ul>
There is a problem with the PLC program.		Check the PLC program and correct problems.

Digital Operator Display		Minor Fault Name
$EF1$	EF1	External Fault (Input Terminal S1) External fault at multi-function input terminal S1.
$EF2$	EF2	External fault (input terminal S2) External fault at multi-function input terminal S2.
$EF3$	EF3	External fault (input terminal S3) External fault at multi-function input terminal S3.

## 6.5 Alarm Detection

<i>EF4</i>	EF4	External fault (input terminal S4)
		External fault at multi-function input terminal S4.
<i>EF5</i>	EF5	External fault (input terminal S5)
		External fault at multi-function input terminal S5.
<i>EF6</i>	EF6	External fault (input terminal S6)
		External fault at multi-function input terminal S6.
<i>EF7</i>	EF7	External fault (input terminal S7)
		External fault at multi-function input terminal S7.
<i>EF8</i>	EF8	External fault (input terminal S8)
		External fault at multi-function input terminal S8.
<b>Cause</b>		<b>Possible Solutions</b>
An external device has tripped an alarm function.		Remove the cause of the external fault and reset the multi-function input value.
Wiring is incorrect.		<ul style="list-style-type: none"> <li>• Ensure the signal lines have been connected properly to the terminals assigned for external fault detection (H1-□□ = 2C to 2F).</li> <li>• Reconnect the signal line.</li> </ul>
Multi-function contact inputs are set incorrectly.		<ul style="list-style-type: none"> <li>• Check if the unused terminals have been set for H1-□□ = 2C to 2F (External Fault).</li> <li>• Change the terminal settings.</li> </ul>

Digital Operator Display		Minor Fault Name
<i>FbH</i>	FbH	Excessive PID Feedback
		The PID feedback input is higher than the level set to b5-36 for longer than the time set to b5-37, and b5-12 is set to 1 or 4.
<b>Cause</b>		<b>Possible Solutions</b>
Parameter settings for b5-36 and b5-37 are incorrect.		Check parameters b5-36 and b5-37.
PID feedback wiring is faulty.		Correct the wiring.
Feedback sensor has malfunctioned.		Check the sensor and replace it if damaged.
Feedback input circuit is damaged.		Replace either the control board or the entire drive. For instructions on replacing the control board, contact Yaskawa or your nearest sales representative.

Digital Operator Display		Minor Fault Name
<i>FbL</i>	FbL	PID Feedback Loss
		The PID feedback input is lower than the level set to b5-13 for longer than the time set to b5-14.
<b>Cause</b>		<b>Possible Solutions</b>
Parameter settings for b5-13 and b5-14 are incorrect.		Check parameters b5-13 and b5-14.
PID feedback wiring is faulty.		Correct the wiring.
Feedback sensor has malfunctioned.		Check the sensor and replace it if damaged.
Feedback input circuit is damaged.		Replace either the control board or the entire drive. For instructions on replacing the control board, contact Yaskawa or your nearest sales representative.

Digital Operator Display		Minor Fault Name
<i>Fdv</i>	Fdv	Power Supply Frequency Fault
		The input power supply frequency exceeded the allowable frequency fluctuation.
<b>Cause</b>		<b>Possible Solution</b>
A momentary power loss occurred.		Reset the fault.
An input power supply wiring terminal is loose.		Check for loose terminals.
The fluctuation in the voltage of the input power supply is too large.		Increase the Power Supply Frequency Fault Detection Width (L2-27).
The built-in fuse is open.		Replace either the control board or the entire drive. For instructions on replacing the control board, contact Yaskawa or your nearest sales representative.
The phase rotation direction has changed in the input power supply.		Correct the wiring.
The detected power supply frequency exceeded the allowable value.		Improve the power supply.

Digital Operator Display		Minor Fault Name
<i>Hbb</i>	Hbb	Safe Disable Signal Input
		Both Safe Disable Input channels are open.
<b>Cause</b>		<b>Possible Solution</b>
Both Safe Disable Inputs H1 and H2 are open.		<ul style="list-style-type: none"> <li>• Check signal status at the input terminals H1 and H2.</li> <li>• Check the Sink/Source Selection for the digital inputs.</li> <li>• If the Safe Disable function is not utilized, determine if terminals H1-HC, and H2-HC are linked.</li> </ul>
Internally, both Safe Disable channels are broken.		Replace either the control board or the entire drive. For instructions on replacing the control board, contact Yaskawa or your nearest sales representative.

Digital Operator Display		Minor Fault Name
<i>HbbF</i>	HbbF	Safe Disable Signal Input
		One Safe Disable channel is open while the other channel is closed.
<b>Cause</b>		<b>Possible Solution</b>
The signals to the Safe Disable inputs are wrong or the wiring is incorrect.		Check signal status at the input terminals H1 and H2. If the Safe Disable function is not utilized, terminals H1-HC, and H2-HC must be linked.
One of the Safe Disable channels is faulty.		Replace either the control board or the entire drive. For instructions on replacing the control board, contact Yaskawa or your nearest sales representative.

Digital Operator Display		Minor Fault Name
<i>HCR</i>	HCA	Current Alarm
		Drive current exceeded overcurrent warning level (150% of the rated current).
<b>Cause</b>		<b>Possible Solutions</b>
Load is too heavy.		Reduce the load for applications with repetitive operations (i.e., stops and starts), or use a larger drive.
Acceleration and deceleration times are too short.		<ul style="list-style-type: none"> <li>• Calculate the torque required during acceleration and for the moment of inertia.</li> <li>• If the torque level is not right for the load, take the following steps:</li> <li>• Increase the acceleration and deceleration times (C1-01 through C1-08).</li> <li>• Use a larger drive.</li> </ul>
A special-purpose motor is being used, or the drive is attempting to run a motor greater than the rated output current.		<ul style="list-style-type: none"> <li>• Check the motor capacity.</li> <li>• Use a motor appropriate for the drive. Ensure the motor is within the rated output current range.</li> </ul>
The current level increased due to Speed Search after a momentary power loss or while attempting to perform a fault restart.		The alarm will only appear briefly. There is no need to take action to prevent the alarm from occurring in such instances.

Digital Operator Display		Minor Fault Name
<i>LF-1</i>	LT-1	Cooling Fan Maintenance Time
		The cooling fan has reached its expected maintenance period and may need to be replaced.
		<b>Note:</b> An alarm output (H2-□□ = 10) will only be triggered if both (H2-□□ = 2F and H2-□□ = 10) are set.
<b>Cause</b>		<b>Possible Solutions</b>
The cooling fan has reached 90% of its expected performance life.		Replace the cooling fan and set o4-03 to 0 to reset the Maintenance Monitor.

Digital Operator Display		Minor Fault Name
<i>LF-2</i>	LT-2	Capacitor Maintenance Time
		The main circuit and control circuit capacitors are nearing the end of their expected performance life.
		<b>Note:</b> An alarm output (H2-□□ = 10) will only be triggered if H2-□□ = 2F.
<b>Cause</b>		<b>Possible Solutions</b>
The main circuit and control circuit capacitors have reached 90% of their expected performance lives.		Replace either the control board or the entire drive. For instructions on replacing the control board, contact Yaskawa or your nearest sales representative.

Digital Operator Display		Minor Fault Name
<i>LF-3</i>	LT-3	Soft Charge Bypass Relay Maintenance Time
		The DC bus soft charge relay is nearing the end of its expected performance life.
		<b>Note:</b> An alarm output (H2-□□ = 10) will only be triggered if H2-□□ = 2F.



## 6.5 Alarm Detection

Cause	Possible Solutions
The DC bus soft charge relay has reached 90% of expected performance life.	Replace either the control board or the entire drive. For instructions on replacing the control board, contact Yaskawa or your nearest sales representative.

Digital Operator Display		Minor Fault Name
oH	oH	Heatsink Overheat
		The temperature of the heatsink exceeded the overheat pre-alarm level set to L8-02 (90-100 °C). Default value for L8-02 is determined by drive model selection (o2-04).
Cause		Possible Solutions
Surrounding temperature is too high		<ul style="list-style-type: none"> <li>• Check the surrounding temperature.</li> <li>• Improve the air circulation within the enclosure panel.</li> <li>• Install a fan or air conditioner to cool surrounding area.</li> <li>• Remove anything near drive that may cause extra heat.</li> </ul>
Internal cooling fan has stopped.		<ul style="list-style-type: none"> <li>• Replace the cooling fan.</li> <li>• After replacing the drive, set parameter o4-03 to 0 to reset the cooling fan operation time.</li> </ul>
Airflow around the drive is restricted.		<ul style="list-style-type: none"> <li>• Provide proper installation space around the drive as indicated in the manual. <i>Refer to Installation Orientation and Spacing on page 50</i> for details.</li> <li>• Allow for the proper space and ensure that there is sufficient circulation around the control panel.</li> <li>• Check for dust or other foreign materials clogging the cooling fan.</li> <li>• Clear debris caught in the fan that restricts air circulation.</li> </ul>

Digital Operator Display		Minor Fault Name
oH2	oH2	Heatsink Overheat Warning
		“Heatsink Overheat Warning” was input to a multi-function input terminal, S1 through S8 (H1-□□= B).
Cause		Possible Solutions
An external device triggered an overheat warning in the drive.		Search for the device that tripped the overheat warning. Remove the cause of the problem.

Digital Operator Display		Minor Fault Name
oH3	oH3	Motor Overheat
		The motor overheat signal entered to a multi-function analog input terminal exceeded the alarm level (H3-02, H3-06 or H3-10 = E).
Cause		Possible Solutions
Motor thermostat wiring is faulty (PTC input).		Repair the PTC input wiring.
There is a fault on the machine side (e.g., the machine is locked up).		<ul style="list-style-type: none"> <li>• Check the status of the machine.</li> <li>• Remove the cause of the fault.</li> </ul>
Motor has overheated.		<ul style="list-style-type: none"> <li>• Check the load size, accel/decel times, and cycle times.</li> <li>• Decrease the load.</li> <li>• Increase accel and decel times (C1-01 to C1-08).</li> <li>• Adjust the preset V/f pattern (E1-04 through E1-10). This involves reducing E1-08 and E1-10. <b>Note:</b> Refrain from lowering E1-08 and E1-10 excessively to prevent a reduction in load tolerance at low speeds.</li> <li>• Check the motor-rated current.</li> <li>• Enter motor-rated current on motor nameplate (E2-01).</li> <li>• Ensure the motor cooling system is operating normally.</li> <li>• Repair or replace the motor cooling system.</li> </ul>

Digital Operator Display		Minor Fault Name
oL3	oL3	Overtorque 1
		Drive output current (or torque in OLV, CLV, AOLV/PM, and CLV/PM) was greater than L6-02 for longer than the time set to L6-03.
Cause		Possible Solutions
Inappropriate parameter settings.		Check parameters L6-02 and L6-03.
There is a fault on the machine side (e.g., the machine is locked up).		<ul style="list-style-type: none"> <li>• Check the status of the machine.</li> <li>• Remove the cause of the fault.</li> </ul>



Digital Operator Display		Minor Fault Name
<i>oL4</i>	oL4	Overtorque 2 Drive output current (or torque in OLV, CLV, AOLV/PM, CLV/PM) was greater than L6-05 for longer than the time set to L6-06.
<b>Cause</b>		<b>Possible Solutions</b>
Parameter settings are not appropriate.		Check parameters L6-05 and L6-06.
There is a fault on the machine side (e.g., the machine is locked up).		<ul style="list-style-type: none"> <li>Check the status of the machine being used.</li> <li>Remove the cause of the fault.</li> </ul>

Digital Operator Display		Minor Fault Name
<i>oL5</i>	oL5	Mechanical Weakening Detection 1 Overtorque occurred, matching the conditions specified in L6-08.
<b>Cause</b>		<b>Possible Solutions</b>
Overtorque occurred, triggering the mechanical weakening level set to L6-08.		Check for the cause of mechanical weakening.

Digital Operator Display		Minor Fault Name
<i>oS</i>	oS	Overspeed The motor speed feedback exceeded the F1-08 setting.
<b>Cause</b>		<b>Possible Solutions</b>
Overshoot is occurring.		<ul style="list-style-type: none"> <li>Increase the settings for C5-01 (Speed Control Proportional Gain 1) and reduce C5-02 (Speed Control Integral Time 1).</li> <li>If using a Closed Loop Vector mode enable Feed Forward Control and perform Inertia Auto-Tuning.</li> </ul>
Incorrect speed feedback scaling if terminal RP is used as speed feedback input in V/f control		<ul style="list-style-type: none"> <li>Set H6-02 to value of the speed feedback signal frequency when the motor runs at the maximum speed.</li> <li>Adjust the input signal using parameters H6-03 through H6-05.</li> </ul>
Incorrect PG pulse number has been set		Check and correct parameter F1-01.
Inappropriate parameter settings.		Check the setting for the overspeed detection level and the overspeed detection time (F1-08 and F1-09).

Digital Operator Display		Minor Fault Name
<i>ov</i>	ov	Control Circuit Overvoltage Voltage in the control circuit has exceeded the trip point. <ul style="list-style-type: none"> <li>For 200 V class drives: approximately 450 V</li> <li>For 400 V class drives: approximately 900 V</li> </ul>
<b>Cause</b>		<b>Possible Solution</b>
Surge voltage present in the drive input power.		Voltage surge can result from a thyristor convertor and a phase advancing capacitor operating on the same drive input power system.
Drive input power voltage is too high.		<ul style="list-style-type: none"> <li>Check the voltage.</li> <li>Lower drive input power voltage within the limits listed in the specifications.</li> </ul>
The capacity of the input power supply is too small.		Use a power supply that has at least twice the input capacity of the drive.
The input power supply repeatedly turned on and off over a short period of time.		Implement countermeasures so that chattering does not occur for the input power supply.
An I/O terminal is loose.		Check the tightening torque of the I/O terminals.
There is a phase loss or an imbalance in the interphase voltages of the input power supply.		Check the status of the input power supply and eliminate phase losses and imbalance.

Digital Operator Display		Minor Fault Name
<i>PASS</i>	PASS	MEMOBUS/Modbus Comm. Test Mode Complete
<b>Cause</b>		<b>Possible Solutions</b>
MEMOBUS/Modbus test has finished normally.		This verifies that the test was successful.

Digital Operator Display		Minor Fault Name
<i>PGo</i>	PGo	PG Disconnect (for Control Mode with PG) Detected when no PG pulses are received for a time longer than setting in F1-14.
<b>Cause</b>		<b>Possible Solutions</b>

## 6.5 Alarm Detection

PG cable is disconnected.	Reconnect the cable.
PG cable wiring is wrong.	Correct the wiring.
PG encoder does not have enough power.	Make sure the correct power supply is properly connected to the PG encoder.
Brake is holding the PG.	Ensure the brake releases properly

Digital Operator Display		Minor Fault Name
PGoH	PGoH	PG Hardware Fault (detected when using a PG-X3 option card)
		PG cable has become disconnected.
Cause		Possible Solutions
PG cable is disconnected.		Reconnect the cable and check the setting of F1-20.

Digital Operator Display		Minor Fault Name
rUn	rUn	Motor Switch during Run
		A command to switch motors was entered during run.
Cause		Possible Solutions
A motor switch command was entered during run.		Change the operation pattern so that the motor switch command is entered while the drive is stopped.

Digital Operator Display		Minor Fault Name
SE	SE	MEMOBUS/Modbus Communication Test Mode Error
		<b>Note:</b> This alarm will not trigger a multi-function output terminal that is set for alarm output (H2-□□ = 10).
Cause		Possible Solutions
A digital input set to 67H (MEMOBUS/Modbus test) was closed while the drive was running.		Stop the drive and run the test again.

Digital Operator Display		Minor Fault Name
SrC	SrC	Phase Order Detection Fault
		The phase rotation direction for the input power supply changed.
Cause		Possible Solution
An input power supply wiring terminal is loose.		Investigate and correct the cause and reset the fault. <a href="#">Refer to Diagnosing and Resetting Faults on page 371.</a>
The fluctuation in the voltage of the input power supply is too large.		

Digital Operator Display		Minor Fault Name
UL3	UL3	Undertorque Detection 1
		Drive output current (or torque in OLV, CLV, AOLV/PM, and CLV/PM) less than L6-02 for longer than L6-03 time.
Cause		Possible Solutions
Inappropriate parameter settings.		Check parameters L6-02 and L6-03.
Load has dropped or decreased significantly.		Check for broken parts in the transmission system.

Digital Operator Display		Minor Fault Name
UL4	UL4	Undertorque Detection 2
		Drive output current (or torque in OLV, CLV, AOLV/PM, and CLV/PM) less than L6-05 for longer than L6-06 time.
Cause		Possible Solutions
Inappropriate parameter settings.		Check parameters L6-05 and L6-06.
The load has dropped or decreased significantly.		Check for broken parts in the transmission system.

Digital Operator Display		Minor Fault Name
$Uu$	$Uv$	Control Circuit Undervoltage
		One of the following conditions occurred: <ul style="list-style-type: none"> <li>• Contactor to suppress inrush current in the drive was opened.</li> <li>• Low voltage in the control drive input power. This alarm outputs only if L2-01 is not 0 and DC bus voltage is under L2-05.</li> </ul>
Cause		Possible Solution
Input power phase loss		<ul style="list-style-type: none"> <li>• The main circuit drive input power is wired incorrectly.</li> <li>• Correct the wiring.</li> </ul>
One of the drive input power wiring terminals is loose		<ul style="list-style-type: none"> <li>• Ensure there are no loose terminals.</li> <li>• Apply the tightening torque specified in this manual to fasten the terminals. <i>Refer to Main Circuit Wire Gauges and Tightening Torque on page 81</i> for details.</li> </ul>
There is a problem with the voltage from the drive input power		<ul style="list-style-type: none"> <li>• Check the voltage.</li> <li>• Correct the voltage to be within the range listed in drive input power specifications.</li> <li>• If there is no problem with the power supply to the main circuit, check for problems with the main circuit magnetic contactor.</li> </ul>
The power has been interrupted		Correct the drive input power.
The capacitors are worn.		<ul style="list-style-type: none"> <li>• Check the maintenance time for the capacitors (U4-05).</li> <li>• Replace the entire drive if U4-05 exceeds 90%. Contact Yaskawa or your nearest sales representative.</li> </ul>
The drive input power transformer is too small and voltage drops when the power is switched on.		<ul style="list-style-type: none"> <li>• Check for an alarm when the magnetic contactor, line breaker, and leakage breaker are closed.</li> <li>• Check the capacity of the drive input power transformer.</li> </ul>

## 6.6 Operator Programming Errors

### ◆ Operator Programming Error Codes, Causes, and Possible Solutions

An Operator Programming Error (oPE) occurs when a contradictory parameter is set or an individual parameter is set to an inappropriate value.

The drive will not operate until the parameter or parameters causing the problem are set correctly. An oPE, however, does not trigger an alarm or fault output. If an oPE occurs, investigate the cause and refer to [Table 6.16](#) for the appropriate action. When an oPE appears on the operator display, press the ENTER button to view U1-18 and see which parameter is causing the oPE.

**Table 6.16 oPE Codes, Causes, and Possible Solutions**

Digital Operator Display		Error Name
oPE01	oPE01	Unit Capacity Setting Fault
		Unit capacity and the value set to o2-04 do not match.
<b>Cause</b>		<b>Possible Solutions</b>
The drive model selection (o2-04) and the actual capacity of the drive are not the same.		Correct the value set to o2-04.

Digital Operator Display		Error Name
oPE02	oPE02	Parameter Range Setting Error
		Use U1-18 to find parameters set outside the range.
<b>Cause</b>		<b>Possible Solutions</b>
Parameters were set outside the possible setting range.		Set parameters to the proper values.
<b>Note:</b> When multiple errors occur simultaneously, other errors are given precedence over oPE02.		

Digital Operator Display		Error Name
oPE03	oPE03	Multi-Function Input Selection Error
		A contradictory setting is assigned to multi-function contact inputs H1-01 to H1-08.
<b>Cause</b>		<b>Possible Solutions</b>
<ul style="list-style-type: none"> <li>The same function is assigned to two multi-function inputs.</li> <li>Excludes “Not used” and “External Fault.”</li> </ul>		<ul style="list-style-type: none"> <li>Ensure all multi-function inputs are assigned to different functions.</li> <li>Re-enter the multi-function settings to ensure this does not occur.</li> </ul>
The Up command was set but the Down command was not, or vice versa (settings 10 vs. 11).		Properly set the functions that required for use in combination with other functions.
The Up 2 command was set but the Down 2 command was not, or vice versa (settings 75 vs. 76).		
<ul style="list-style-type: none"> <li>Run/Stop command for a 2-wire sequence was set (H1-□□ = 42), but Forward/Reverse command (H1-□□ = 43) was not.</li> <li>“Drive Enable” is set to multi-function input S1 or S2 (H1-01 = 6A or H1-02 = 6A).</li> </ul>		Properly set the functions that required for use in combination with other functions.
Two of the following functions are set simultaneously: <ul style="list-style-type: none"> <li>Up/Down Command (10 vs. 11)</li> <li>Up 2/Down 2 Command (75 vs. 76)</li> <li>Hold Accel/Decel Stop (A)</li> <li>Analog Frequency Reference Sample/Hold (1E)</li> <li>Offset Frequency 1, 2, 3 Calculations (44, 45, 46)</li> </ul>		<ul style="list-style-type: none"> <li>Check if contradictory settings have simultaneously been assigned to the multi-function input terminals.</li> <li>Correct setting errors.</li> </ul>
The Up/Down command (10, 11) and PID control (b5-01) are enabled simultaneously.		Set b5-01 to 0 to disable control PID or disable the Up/Down command.
Settings for N.C. and N.O. input for the following functions were selected simultaneously: <ul style="list-style-type: none"> <li>External Search Command 1 and External Search Command 2 (61 vs. 62)</li> <li>Fast Stop N.O. and Fast Stop N.C. (15 vs. 17)</li> <li>Motor Switch Command and Accel/Decel Time 2 (16 vs. 1A)</li> <li>FWD Run Command (or REV) and FWD/REV Run Command (2-wire) (40, 41 vs. 42, 43)</li> <li>External DB Command and Drive Enable (60 vs. 6A)</li> <li>Motor Switch Command and Up 2/Down 2 Command (16 vs. 75, 76)</li> </ul>		<ul style="list-style-type: none"> <li>Check if contradictory settings have simultaneously been assigned to the multi-function input terminals.</li> <li>Correct setting errors.</li> </ul>

One of the following settings was entered while H1-□□ = 2 (External Reference 1/2):	Correct the settings for the multi-function input terminal parameters.
<ul style="list-style-type: none"> <li>• b1-15 = 4 (Pulse Train Input) but the pulse train input selection is not set for the frequency reference (H6-01 &gt; 0)</li> <li>• b1-15 or b1-16 set to 3 but no option card is connected</li> <li>• Although b1-15 = 1 (Analog Input) and H3-02 or H3-10 are set to 0 (Frequency Bias)</li> </ul>	
H2-□□ is set to 38 (Drive Enabled) and H1-□□ is not set to 6A (Drive Enable).	
H1-□□ is set to 7E (Direction Detection) and H6-01 is not set to 3 (for V/f Control with PG using terminal RP as speed feedback input).	
H1-□□ is set to 16 when using PG-RT3.	Correct the setting. PG-RT3 is not available for the application with Motor 2 selection.

Digital Operator Display		Error Name
oPE04	oPE04	Initialization Required
<b>Cause</b>		<b>Possible Solutions</b>
The drive, control board, or terminal board have been replaced and the parameter settings between the control board and the terminal board no longer match.		Set A1-03 to 5550 to load the parameter settings stored in the terminal board to the drive. Initialize parameters after drive replacement by setting A1-03 to 2220 or 3330.

Digital Operator Display		Error Name
oPE05	oPE05	Run Command/Frequency Reference Source Selection Error
<b>Cause</b>		<b>Possible Solutions</b>
Frequency reference is assigned to an option card (b1-01 = 3) and an input option card is not connected to the drive.		Reconnect the input option card to the drive.
The Run command is assigned to an option card (b1-02 = 3) and an input option card is not connected to the drive.		
Frequency reference is assigned to the pulse train input (b1-01 = 4) and terminal RP is not set for frequency reference input (H6-01 > 0)		Set H6-01 to 0.
Although the digital card input is set for BCD special for a 5-digit input (F3-01 = 6), the data length is set for 8-bit or 12-bit (F3-03 = 0, 1).		Set F3-03 to 2 to set the input data for 16-bit.
The following values have been set while an AI-A3 option card is installed:		Properly set parameters.
<ul style="list-style-type: none"> <li>• The source of frequency reference setting is assigned to an option card (b1-01 = 3).</li> <li>• The action for the analog card is set for separate terminal input (F2-01 = 0).</li> </ul>		

Digital Operator Display		Error Name
oPE06	oPE06	Control Method Selection Error
<b>Cause</b>		<b>Possible Solutions</b>
A control mode has been selected that requires a PG option card to be installed, but no PG encoder is installed (A1-02 = 1, 3, or 7).		<ul style="list-style-type: none"> <li>• Connect a PG option card.</li> <li>• Correct the value set to A1-02.</li> </ul>

Digital Operator Display		Error Name
oPE07	oPE07	Multi-Function Analog Input Selection Error
<b>Cause</b>		<b>Possible Solutions</b>
At least two analog input terminals are set to the same function (i.e., at least two of these parameters have the same setting: H3-02, H3-10, or H3-06).		A contradictory setting is assigned to multi-function analog inputs H3-02, H3-10, or H3-06 and PID functions conflict. Change the settings to H3-02, H3-10, and H3-06 so that functions no longer conflict.
		<b>Note:</b> Both 0 (Frequency Reference Bias) and F (Not Used) can be set to H3-02, H3-10, or H3-06 simultaneously.

## 6.6 Operator Programming Errors

<p>The following simultaneous contradictory settings:</p> <ul style="list-style-type: none"> <li>• H3-02, H3-10, or H3-06 = B (PID Feedback) while H6-01 (Pulse Train Input Terminal RP Function Selection) = 1 (PID Feedback)</li> <li>• H3-02, H3-10, or H3-06 = C (PID Setpoint Value) while H6-01 = 2 (PID Setpoint Value)</li> <li>• H3-02, H3-10, or H3-06 = C (PID Setpoint Value) while b5-18 = 1 (enables b5-19 as the PID Setpoint Value)</li> <li>• H6-01 = 2 (PID Setpoint Value) while b5-18 = 1 (enables b5-19 as the PID Setpoint Value)</li> </ul>	Disable one of the PID selections.
--	------------------------------------

Digital Operator Display		Error Name
$\alpha P E 0 8$	oPE08	Parameter Selection Error
<b>Cause</b>		<b>Possible Solutions</b>
Attempted to use a function that is not valid for the selected control mode.		Check the motor control method and the functions available.
In OLV/PM, parameters E5-02 to E5-07 are set to 0.		<ul style="list-style-type: none"> <li>• Set the correct motor code in accordance with the motor being used (E5-01).</li> <li>• When using a special-purpose motor, set E5-□□ in accordance with the test report provided.</li> </ul>
<p>The following settings have occurred in OLV/PM:</p> <ul style="list-style-type: none"> <li>• E5-03 does not equal 0</li> <li>• E5-09 and E5-24 are both equal to 0, or neither equals 0</li> </ul>		<ul style="list-style-type: none"> <li>• Set E5-09 or E5-24 to the correct value, and set the other to 0.</li> <li>• Set the motor rated current for PM to 0 (E5-03).</li> </ul>
b1-14 (Phase Order Selection) is set to 1 (Switch phase order) when using a PG option card.		Correct the parameter settings.
In AOLV/PM High Frequency Injection is disabled (n8-57 = 0) and the minimum frequency (E1-09) is set lower than 1/20 of the base frequency setting.		Correct the parameter settings.
<b>Note:</b> Use U1-18 to find parameters that are set outside the specified setting range. When multiple errors occur simultaneously, other errors are given precedence over oPE08.		

Digital Operator Display		Error Name
$\alpha P E 0 9$	oPE09	PID Control Selection Fault
<b>Cause</b>		<b>Possible Solutions</b>
<p>The following simultaneous contradictory settings have occurred:</p> <ul style="list-style-type: none"> <li>• b5-15 is not set to 0.0 (PID Sleep Function Operation Level)</li> <li>• The stopping method is set to either DC Injection Braking or coast to stop with a timer (b1-03 = 2 or 3).</li> </ul>		<ul style="list-style-type: none"> <li>• Set b5-15 to a value other than 0.0.</li> <li>• Set the stopping method to coast to stop or ramp to stop (b1-03 = 0 or 1).</li> </ul>
b5-01 is set to 1 or 2, enabling PID control, but the lower limit for the frequency reference (d2-02) is not set to 0 while reverse output is enabled (b5-11 = 1).		Correct the parameter settings.
b5-01 is set to 3 or 4, enabling PID control, but the lower limit for the frequency reference (d2-01) is not 0.		Correct the parameter settings.

Digital Operator Display		Error Name
$\alpha P E 1 0$	oPE10	V/f Data Setting Error
<b>Cause</b>		<b>Possible Solutions</b>
V/f pattern setting error.		<p>One or more of the parameters listed below are not set according to the formula:</p> <ul style="list-style-type: none"> <li>• <math>E1-09 \leq E1-07 &lt; E1-06 \leq E1-11 \leq E1-04</math></li> <li>• <math>E3-09 \leq E3-07 &lt; E3-06 \leq E3-11 \leq E3-04</math></li> </ul>
		Correct the settings for E1-04, E1-06, E1-07, E1-09, and E1-11. For motor 2, correct E3-04, E3-06, E3-07, E3-09, and E3-11.

Digital Operator Display		Error Name
$\alpha P E 1 1$	oPE11	Carrier Frequency Setting Error
<b>Cause</b>		<b>Possible Solutions</b>
		Correct the setting for the carrier frequency.

The following simultaneous contradictory settings have occurred: C6-05 > 6 and C6-04 > C6-03 (carrier frequency lower limit is greater than the upper limit). If C6-05 ≤ 6, the drive operates at C6-03.	Correct the parameter settings.
The upper and lower limits between C6-02 and C6-05 are contradictory.	

Digital Operator Display		Error Name
<i>oPE13</i>	oPE13	Pulse Monitor Selection Error
<b>Cause</b>		<b>Possible Solutions</b>
Scaling for the pulse train monitor is set to 0 (H6-07 = 0) while H6-06 is not set to 101, 102, 105, or 116.		Change scaling for the pulse train monitor or set H6-06 to 101, 102, 105, or 116.

Digital Operator Display		Error Name
<i>oPE15</i>	oPE15	Torque Control Setting Error
<b>Cause</b>		<b>Possible Solutions</b>
Torque Control is enabled (d5-01 = 1) while the Speed/Torque Control switch function is assigned to a digital input (H1-□□ = 71). Either d5-01 is set to 1 to enable Torque Control, or the Speed/Torque Control switch is assigned to a digital input H1-□□ = 71, while at the same time: • Feed Forward is enabled (n5-01 = 1) or • Droop Control is enabled (b7-01 ≠ 0)		Parameter settings that are not allowed in combination with Torque Control have been set.  Correct the parameter settings.

Digital Operator Display		Error Name
<i>oPE16</i>	oPE16	Energy Savings Constants Error
<b>Cause</b>		<b>Possible Solutions</b>
In AOLV/PM, the automatically calculated energy saving coefficients are out of the allowable range.		Check and correct the motor data in E5 parameters.

Digital Operator Display		Error Name
<i>oPE18</i>	oPE18	Online Tuning Parameter Setting Error
<b>Cause</b>		<b>Possible Solutions</b>
One of the following errors occurred while online tuning was enabled in OLV (A1-02 = 2): • E2-02 was set below 30% of the original default value • E2-06 was set below 50% of the original default value • E2-03 = 0		Parameters controlling online tuning are not set correctly.  Set E2-02, E2-03, and E2-06 to the correct values.

Digital Operator Display		Error Name
<i>oPE20</i>	oPE20	PG-F3 Setting Error
<b>Cause</b>		<b>Possible Solutions</b>
With the entered encoder resolution (F1-01), maximum output frequency (E1-04), and motor pole number (E5-04), the calculation encoder signal frequency exceeded 50 kHz (with PG-F3 option).		The encoder signal frequency is too high.  • Set F1-01 to the correct encoder resolution. • Reduce the maximum output frequency of the drive in parameter E1-04 so the encoder signal frequency at maximum speed is lower than 50 kHz.

Digital Operator Display		Error Name
<i>oPE30</i>	oPE30	Incorrect Input Voltage Adjustment
<b>Cause</b>		<b>Possible Solutions</b>
• o2-04, Drive Model Selection, setting changed. • EEPROM failed for the input voltage offset.		The input voltage offset adjustment has not been performed.  Contact Yaskawa or your nearest sales representative for information on clearing the error.

## 6.7 Auto-Tuning Fault Detection

Auto-Tuning faults in this section are displayed on the digital operator and will cause the motor to coast to a stop. Auto-Tuning faults do not trigger a multi-function digital output set for fault or alarm output.

An End□ error on the digital operator display indicates Auto-Tuning has successfully completed with discrepancies in the calculations. Restart Auto-Tuning after fixing the cause of the End□ error.

The drive may be used in the application if no cause can be identified despite the existence of an End□ error.

An Er□ error indicates that Auto-Tuning has not completed successfully. Check for the cause of the error using the tables in this section, and perform Auto-Tuning again after fixing the cause.

### ◆ Auto-Tuning Codes, Causes, and Possible Solutions

Table 6.17 Auto-Tuning Codes, Causes, and Possible Solutions

Digital Operator Display		Error Name
$\text{End1}$	End1	Excessive V/f Setting (detected only during Rotational Auto-Tuning and displayed after Auto-Tuning is complete)
<b>Cause</b>		<b>Possible Solutions</b>
The torque reference exceeded 20% during Auto-Tuning.		<ul style="list-style-type: none"> <li>• Prior to Auto-Tuning, verify the information on the motor nameplate.</li> <li>• Enter proper values from motor nameplate to parameters T1-03 to T1-05 and repeat Auto-Tuning.</li> </ul>
The results from Auto-Tuning the no-load current exceeded 80%.		<ul style="list-style-type: none"> <li>• If possible, disconnect the motor from the load and perform Auto-Tuning. If the load cannot be uncoupled, use the current Auto-Tuning results.</li> </ul>
Digital Operator Display		Error Name
$\text{End2}$	End2	Motor Iron-Core Saturation Coefficient (detected only during Rotational Auto-Tuning and displayed after Auto-Tuning is complete)
<b>Cause</b>		<b>Possible Solutions</b>
Motor data entered during Auto-Tuning was incorrect.		<ul style="list-style-type: none"> <li>• Make sure the data entered to the T1 parameters match the information written on the motor nameplate.</li> <li>• Restart Auto-Tuning and enter the correct information.</li> </ul>
Results from Auto-Tuning are outside the parameter setting range, assigning the iron-core saturation coefficients (E2-07 and E2-08) to temporary values.		<ul style="list-style-type: none"> <li>• Check and correct faulty motor wiring.</li> <li>• Disconnect the motor from machine and perform Rotational Auto-Tuning.</li> </ul>
Digital Operator Display		Error Name
$\text{End3}$	End3	Rated Current Setting Alarm (displayed after Auto-Tuning is complete)
<b>Cause</b>		<b>Possible Solutions</b>
The correct current rating printed on the motor nameplate was not entered into T1-04.		<ul style="list-style-type: none"> <li>• Check the setting of parameter T1-04.</li> <li>• Check the motor data and repeat Auto-Tuning.</li> </ul>
Digital Operator Display		Error Name
$\text{End4}$	End4	Adjusted Slip Calculation Error
<b>Cause</b>		<b>Possible Solutions</b>
The calculated slip is outside the allowable range.		<ul style="list-style-type: none"> <li>• Make sure the data entered for Auto-Tuning is correct.</li> <li>• If possible, perform Rotational Auto-Tuning. If not possible, perform Stationary Auto-Tuning 2.</li> </ul>
Digital Operator Display		Error Name
$\text{End5}$	End5	Resistance Tuning Error
<b>Cause</b>		<b>Possible Solutions</b>
The calculated resistance value is outside the allowable range.		<ul style="list-style-type: none"> <li>• Double-check the data entered for the Auto-Tuning process.</li> <li>• Check the motor and motor cable connection for faults.</li> </ul>
Digital Operator Display		Error Name
$\text{End6}$	End6	Leakage Inductance Alarm
<b>Cause</b>		<b>Possible Solutions</b>



A1-02 setting error.	<ul style="list-style-type: none"> <li>• Double-check the data entered for the Auto-Tuning process.</li> <li>• Check the setting of A1-02.</li> <li>• Check the control mode and repeat Auto-Tuning.</li> </ul>
----------------------	---

Digital Operator Display		Error Name
End7	End7	No-Load Current Alarm
Cause		Possible Solutions
The entered no-load current value was outside the allowable range.		Check and correct faulty motor wiring.
Auto-Tuning results were less than 5% of the motor rated current.		Double-check the data entered for the Auto-Tuning process.

Digital Operator Display		Error Name
Er-01	Er-01	Motor Data Error
Cause		Possible Solutions
Motor data or data entered during Auto-Tuning was incorrect		<ul style="list-style-type: none"> <li>• Check that the motor data entered to T1 parameters matches motor nameplate input before Auto-Tuning.</li> <li>• Restart Auto-Tuning and enter the correct information.</li> </ul>
Motor rated power and motor-rated current settings (T1-02 and T1-04) do not match.		<ul style="list-style-type: none"> <li>• Check the drive and motor capacities.</li> <li>• Correct the settings of parameters T1-02 and T1-04.</li> </ul>
Motor rated current and detected no-load current are inconsistent.		<ul style="list-style-type: none"> <li>• Check the motor rated current and no-load current.</li> <li>• Correct the settings of parameters T1-04 and E2-03.</li> </ul>
Base frequency and motor rated speed (T1-05 and T1-07) do not match.		<ul style="list-style-type: none"> <li>• Correct the settings of parameters T1-05 and T1-07.</li> <li>• Check that the correct number of poles were entered to T1-06.</li> </ul>

Digital Operator Display		Error Name
Er-02	Er-02	Minor Fault
Cause		Possible Solutions
An alarm was triggered during Auto-Tuning.		Exit the Auto-Tuning menu, check the alarm code, remove the alarm cause, and repeat Auto-Tuning.

Digital Operator Display		Error Name
Er-03	Er-03	STOP Button Input
Cause		Possible Solutions
Auto-Tuning canceled by pressing STOP button.		Auto-Tuning did not complete properly. Restart Auto-Tuning.

Digital Operator Display		Error Name
Er-04	Er-04	Line-to-Line Resistance Error
Cause		Possible Solutions
Motor data entered during Auto-Tuning was incorrect.		<ul style="list-style-type: none"> <li>• Make sure the data entered to the T1 parameters match the information written on the motor nameplate.</li> <li>• Restart Auto-Tuning and enter the correct information.</li> </ul>
Results from Auto-Tuning are outside the parameter setting range or the tuning process took too long.		Check and correct faulty motor wiring.
Faulty motor cable or cable connection.		

Digital Operator Display		Error Name
Er-05	Er-05	No-Load Current Error
Cause		Possible Solutions
Motor data entered during Auto-Tuning was incorrect.		<ul style="list-style-type: none"> <li>• Make sure the data entered to the T1 parameters match the information written on the motor nameplate.</li> <li>• Restart Auto-Tuning and enter the correct information.</li> </ul>
Results from Auto-Tuning are outside the parameter setting range or the tuning process took too long.		<ul style="list-style-type: none"> <li>• Check and correct faulty motor wiring.</li> <li>• Perform Rotational Auto-Tuning.</li> </ul>
The load was too high during Rotational Auto-tuning.		<ul style="list-style-type: none"> <li>• Disconnect the motor from machine and restart Auto-Tuning. If motor and load cannot be uncoupled make sure the load is lower than 30%.</li> <li>• If a mechanical brake is installed, make sure it is fully lifted during tuning.</li> </ul>

## 6.7 Auto-Tuning Fault Detection

Digital Operator Display		Error Name
<i>Er-08</i>	Er-08	Rated Slip Error
Cause		Possible Solutions
Motor data entered during Auto-Tuning was incorrect.		<ul style="list-style-type: none"> <li>Make sure the data entered to the T1 parameters match the information written on the motor nameplate.</li> <li>Restart Auto-Tuning and enter the correct information.</li> </ul>
Results from Auto-Tuning are outside the parameter setting range or the tuning process took too long.		<ul style="list-style-type: none"> <li>Check and correct faulty motor wiring.</li> <li>Perform Rotational Auto-Tuning.</li> </ul>
The load was too high during rotational Auto-tuning.		<ul style="list-style-type: none"> <li>Disconnect the motor from machine and restart Auto-Tuning. If motor and load cannot be uncoupled make sure the load is lower than 30%.</li> <li>If a mechanical brake is installed, make sure it is fully lifted during tuning.</li> </ul>

Digital Operator Display		Error Name
<i>Er-09</i>	Er-09	Acceleration Error
Cause		Possible Solutions
The motor did not accelerate for the specified acceleration time.		<ul style="list-style-type: none"> <li>Increase the acceleration time (C1-01).</li> <li>Disconnect the machine from the motor if possible.</li> </ul>
Torque limit when motoring is too low (L7-01 and L7-02).		<ul style="list-style-type: none"> <li>Check L7-01 and L7-02 settings.</li> <li>Increase the setting.</li> </ul>
The load was too high during Rotational Auto-Tuning.		<ul style="list-style-type: none"> <li>Disconnect the motor from machine and restart Auto-Tuning. If motor and load cannot be uncoupled make sure the load is lower than 30%.</li> <li>If a mechanical brake is installed, make sure it is fully lifted during tuning.</li> </ul>

Digital Operator Display		Error Name
<i>Er-10</i>	Er-10	Motor Direction Error
Cause		Possible Solutions
The encoder signal lines are not properly connected to the drive.		Check and correct wiring to the PG encoder.
Motor direction and PG direction are opposite.		Check the motor speed monitor U1-05 while manually turning the motor forward. If the sign displayed is negative, change the setting of parameter F1-05.
The load pulled the motor in the opposite direction of the speed reference and the torque exceeded 100%.		Uncouple the motor from the load and restart Auto-Tuning.

Digital Operator Display		Error Name
<i>Er-11</i>	Er-11	Motor Speed Error
Cause		Possible Solutions
Torque reference is too high.		<ul style="list-style-type: none"> <li>Increase the acceleration time 1 (C1-01).</li> <li>Disconnect the machine from the motor if possible.</li> </ul>

Digital Operator Display		Error Name
<i>Er-12</i>	Er-12	Current Detection Error
Cause		Possible Solutions
One of the motor phases is missing: (U/T1, V/T2, W/T3).		Check motor wiring and correct any problems.
The current exceeded the current rating of the drive.		<ul style="list-style-type: none"> <li>Check motor wiring for a short between motor lines.</li> <li>Close any magnetic contactors used between motors.</li> </ul>
The current is too low.		<ul style="list-style-type: none"> <li>Replace the control board or the entire drive. For instructions on replacing the control board, contact Yaskawa or your nearest sales representative.</li> </ul>
Attempted Auto-Tuning without motor connected to the drive.		Connect the motor and restart Auto-Tuning.
Current detection signal error.		Replace the control board or the entire drive. For instructions on replacing the control board, contact Yaskawa or your nearest sales representative.

Digital Operator Display		Error Name
Er-13	Er-13	Leakage Inductance Error
Cause		Possible Solutions
Drive was unable to complete tuning for leakage inductance within 300 seconds.		<ul style="list-style-type: none"> <li>• Check all wiring and correct any mistakes.</li> <li>• Check the motor rated current value written on the motor nameplate and enter the correct value to T1-04.</li> </ul>

Digital Operator Display		Error Name
Er-14	Er-14	Motor Speed Error 2
Cause		Possible Solutions
The motor speed exceeded twice the amplitude of speed reference during Inertia Tuning.		Reduce the ASR gain set to C5-01.

Digital Operator Display		Error Name
Er-15	Er-15	Torque Saturation Error
Cause		Possible Solutions
The output torque reached the torque limit set in L7-01 through L7-04 during Inertia Tuning.		<ul style="list-style-type: none"> <li>• Increase the torque limits in L7-01 through L7-04 within reasonable limits.</li> <li>• Reduce the test signal frequency in T3-01 and restart Auto-Tuning. If necessary, reduce the test signal amplitude (T3-02) and restart Auto-Tuning.</li> </ul>

Digital Operator Display		Error Name
Er-16	Er-16	Inertia ID Error
Cause		Possible Solutions
The inertia identified by the drive was abnormally small or abnormally large during Inertia Tuning.		<ul style="list-style-type: none"> <li>• Reduce the test signal frequency in T3-01 and restart Auto-Tuning. If necessary, reduce the test signal amplitude (T3-02) and restart Auto-Tuning.</li> <li>• Check the basic motor inertia value entered to T3-03.</li> </ul>

Digital Operator Display		Error Name
Er-17	Er-17	Reverse Prohibited Error
Cause		Possible Solutions
Drive is prohibited from rotating the motor in reverse while attempting to perform Inertia Tuning.		<ul style="list-style-type: none"> <li>• Inertia Auto-Tuning cannot be performed if the drive is restricted from rotating in reverse.</li> <li>• Assuming it is acceptable for the application to rotate in reverse, set b1-04 to 0 and then perform Inertia Tuning.</li> </ul>

Digital Operator Display		Error Name
Er-18	Er-18	Induction Voltage Error
Cause		Possible Solutions
The result of Back EMF Constant Tuning (induced voltage) exceeds the allowable setting range.		Double-check the data entered to the T2-□□ parameters and restart Auto-Tuning.

Digital Operator Display		Error Name
Er-19	Er-19	PM Inductance Error
Cause		Possible Solutions
The induced voltage constant attempted to set a value to E5-08 or E5-09 that is outside the allowable range.		Double-check the data entered to the T2-□□ parameters and restart Auto-Tuning.

Digital Operator Display		Error Name
Er-20	Er-20	Stator Resistance Error
Cause		Possible Solutions
Stator resistance tuning attempted to set a value to E5-06 that is outside the allowable setting range.		Double-check the data entered to the T2-□□ parameters and restart Auto-Tuning.

## 6.7 Auto-Tuning Fault Detection

Digital Operator Display		Error Name
Er-21	Er-21	Z Pulse Correction Error
<b>Cause</b>		<b>Possible Solutions</b>
Motor was coasting when Auto-Tuning was performed.		Make sure the motor has stopped completely. Restart Auto-Tuning.
Either the motor or the PG encoder on the motor are not properly wired.		Check the wiring for the motor and the PG encoder. Restart Auto-Tuning.
The direction for the PG encoder is set incorrectly, or the number of pulses set for the PG encoder is wrong.		Check the direction and number of pulses set for the PG encoder. Restart Auto-Tuning.
PG encoder is damaged.		Check the signal output from the PG encoder attached to the motor. Replace the PG if damaged.

Digital Operator Display		Error Name
Er-25	Er-25	High Frequency Injection Parameter Tuning Error
<b>Cause</b>		<b>Possible Solutions</b>
Motor data was incorrect.		Perform Stationary Auto-Tuning and then perform High Frequency Injection Parameter Tuning again. If the problem continues, high frequency injection control might not be possible with that motor. <b>Note:</b> Auto-Tuning is not applicable for SPM motors.

## 6.8 Copy Function Related Displays

### ◆ Tasks, Errors, and Troubleshooting

The table below lists the messages and errors that may appear when using the Copy function.

When executing the tasks offered by the Copy function, the operator will indicate the task being performed. When an error occurs, a code appears on the operator to indicate the error. Note that errors related to the Copy function do not trigger a multi-function output terminal that has been set up to close when a fault or alarm occurs. To clear an error, simply press any key on the operator and the error display will disappear.

**Table 6.18** lists the corrective action that can be taken when an error occurs.

- Note:**
1. Whenever using the copy function, the drive should be fully stopped.
  2. The drive will not accept a Run command while the Copy function is being executed.
  3. Parameters can only be saved to a drive when the voltage class, capacity, control mode, and software version match.

**Table 6.18 Copy Function Task and Error Displays**

Digital Operator Display		Task
<i>CoPY</i>	CoPy	Writing Parameter Settings (flashing)
<b>Cause</b>		<b>Possible Solutions</b>
Parameters are being written to the drive.		This is not an error.
Digital Operator Display		Task
<i>CPEr</i>	CPEr	Control Mode Mismatch
<b>Cause</b>		<b>Possible Solutions</b>
Control mode of the parameters to be loaded onto the drive and the control mode set to the drive do not match.		<ul style="list-style-type: none"> <li>• Verify the control mode for the parameters to be loaded onto the drive and the control mode on drive to which those parameters will be written.</li> <li>• Set the same control mode using parameter A1-02 and retry.</li> </ul>
Digital Operator Display		Task
<i>CPyE</i>	CPyE	Error Writing Data
<b>Cause</b>		<b>Possible Solutions</b>
Failed writing parameters		Attempt to write parameters again.
Digital Operator Display		Task
<i>CSEr</i>	CSEr	Copy Unit Error
<b>Cause</b>		<b>Possible Solutions</b>
Hardware fault		Replace the operator or the USB Copy Unit.
Digital Operator Display		Task
<i>dFPS</i>	dFPS	Drive Model Mismatch
<b>Cause</b>		<b>Possible Solutions</b>
The drives used in the copy and write process are not the same model.		<ul style="list-style-type: none"> <li>• Verify the model number of the drive from which the parameters were copied and the model of the drive to which those parameters will be written.</li> <li>• Make sure the two drives are the same model and have the same software version.</li> </ul>
• The drive from which the parameters were copied is a different model.		
• The drive to be written to is a different model.		
Digital Operator Display		Task
<i>End</i>	End	Task Complete
<b>Cause</b>		<b>Possible Solutions</b>
Finished reading, writing, or verifying parameters.		This is not an error.
Digital Operator Display		Task
<i>iFEr</i>	iFEr	Communication Error
<b>Cause</b>		<b>Possible Solutions</b>
A communication error occurred between the drive and the operator or the USB copy unit.		Check the cable connection.

## 6.8 Copy Function Related Displays

A non-compatible cable is being used to connect the USB Copy Unit and the drive.		Use the cable originally packaged with the USB Copy Unit.
Digital Operator Display		Task
<i>ndAf</i>	ndAT	Model, Voltage Class, Capacity Mismatch
Cause		Possible Solutions
The drive from which the parameters were copied and the drive to which the parameters will be written have different electrical specifications, capacities, are set to different control modes, or are different models.		Make sure model numbers and specifications are the same for both drives.
The device being used to write the parameters is blank and does not have any parameters saved on it.		Make sure all connections are correct, and copy the parameter settings onto the USB Copy Unit or the operator.
Digital Operator Display		Task
<i>rdEr</i>	rdEr	Error Reading Data
Cause		Possible Solutions
Failed while attempting to read parameter settings from the drive.		Press and hold the READ key on the USB Copy Unit for at least one second to have the unit read parameters from the drive.
Digital Operator Display		Task
<i>rEd</i>	rEAd	Reading Parameter Settings (flashing)
Cause		Possible Solutions
Displayed while the parameter settings are being read onto the USB Copy Unit.		This is not an error.
Digital Operator Display		Task
<i>vAEr</i>	vAEr	Voltage Class, Capacity Mismatch
Cause		Possible Solutions
The drive from which the parameters were copied and the drive on which the Verify mode is being performed have different electrical specifications or are a different capacity.		Make sure electrical specifications and capacities are the same for both drives.
Digital Operator Display		Task
<i>vFyE</i>	vFyE	Parameter settings in the drive and those saved to the copy function are not the same
Cause		Possible Solutions
Indicates that parameter settings that have been Read and loaded onto the Copy Unit or Digital Operator are different.		To synchronize parameters, either write the parameters saved on the USB Copy Unit or digital operator onto the drive, or Read the parameter settings on the drive onto the USB Copy Unit.
Digital Operator Display		Task
<i>vrFy</i>	vrFy	Comparing Parameter Settings (flashing)
Cause		Possible Solutions
The Verify mode has confirmed that parameters settings on the drive and parameters read to the copy device are identical.		This is not an error.

## 6.9 Diagnosing and Resetting Faults

When a fault occurs and the drive stops, follow the instructions below to remove whatever conditions triggered the fault, then restart the drive.

**Note:** An oC/SC fault will be displayed in the event of an IGBT failure. It may not be possible to reset this fault until the IGBT problem is corrected.

### ◆ Fault Occurs Simultaneously with Power Loss

**WARNING! Electrical Shock Hazard.** Ensure there are no short circuits between the main circuit terminals (R/L1, S/L2, and T/L3) or between the ground and main circuit terminals before restarting the drive. Do not immediately operate peripheral devices if a fuse is blown or a GFCI has tripped. Failure to comply may result in serious injury or death and will cause damage to equipment.

1. Turn on the drive input power.
2. Use monitor parameters U2-□□ to display data on the operating status of the drive just before the fault occurred.
3. Remove the cause of the fault and reset.

**Note:**

1. To find out what faults were triggered, check the fault history in U2-02. Information on drive status when the fault occurred such as the frequency, current, and voltage can be found in U2-03 through U2-58. [Refer to Viewing Fault Trace Data After Fault on page 371](#) for information on how to view fault data.
2. When the fault continues to be displayed after cycling power, remove the cause of the fault and reset.




### ◆ If the Drive Still has Power After a Fault Occurs

1. Look at the digital operator for information on the fault that occurred.
2. [Refer to Fault Displays, Causes, and Possible Solutions on page 335.](#)
3. Reset the fault. [Refer to Fault Reset Methods on page 373.](#)

### ◆ Viewing Fault Trace Data After Fault

Step		Display/Result
1.	Turn on the drive input power. The first screen displays.	
2.	Press  to display the monitor menu screen.	
3.	Press  to display the monitor mode screen.	
4.	Press  and  to scroll to monitor U2-02. The fault code shown in U2-02 is the fault that occurred most recently. In this example, the most recent fault is “oC” (overcurrent).	


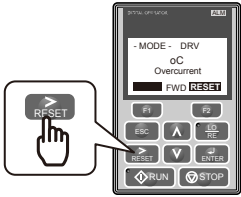
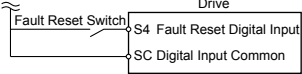
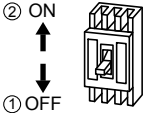
## 6.9 Diagnosing and Resetting Faults

Step		Display/Result
<p>5. Press  to view drive status information when fault occurred. Parameter U2-58 helps determine the cause of a fault. Parameters to be monitored differ depending on the control mode.</p>		<div style="border: 1px solid black; padding: 5px; margin-bottom: 10px;"> <p>- MONITR - DRV Rdy Frequency Ref U2-<del>03</del><b>58</b> = 60.00Hz ----- U2-04= 60.00Hz RSEQ U2-05= XX.XXA RREF JOG FWD</p> </div> <div style="text-align: center;">  </div> <div style="border: 1px solid black; padding: 5px;"> <p>- MONITR - DRV Rdy PowerSupply Freq U2-<del>58</del><b>58</b> = 60.00Hz ----- U2-01= ----- RSEQ U2-02= oC RREF JOG FWD</p> </div>



### ◆ Fault Reset Methods

When a fault occurs, the cause of the fault must be removed and the drive must be restarted. The table below lists the different ways to restart the drive.

After the Fault Occurs	Procedure	
Fix the cause of the fault, restart the drive, and reset the fault	Press  on the digital operator when the error code is displayed.	
Resetting via Fault Reset Digital Input S4	Close then open the fault signal digital input via terminal S4. S4 is set for “Fault Reset” as default (H1-04 = 14).	
Turn off the main power supply if the above methods do not reset the fault. Reapply power after the digital operator display has turned off.		

**Note:** If the Run command is present, the drive will disregard any attempts to reset the fault. Remove the Run command before attempting to clear a fault situation.

# 6.10 Troubleshooting without Fault Display

This section describes troubleshooting problems that do not trip an alarm or fault.

The following symptoms indicate that the drive is not set correctly for proper performance with the motor. *Refer to Motor Performance Fine-Tuning on page 324* for guidance on troubleshooting.

- Motor hunting and oscillation
- Poor motor torque
- Poor speed precision
- Poor motor torque and speed response
- Motor noise

### ◆ Common Problems

Common Problems		Page
Cannot Change Parameter Settings		374
Motor Does Not Rotate Properly after Pressing RUN Button or after Entering External Run Command	Motor Does Not Rotate	375
	Motor Rotates in the Opposite Direction from the Run Command	376
	Motor Rotates in One Direction Only	376
Motor is Too Hot		376
Drive Does Not Allow Selection of Rotational Auto-Tuning		377
oPE02 Error Occurs When Lowering the Motor Rated Current Setting		377
Motor Stalls During Acceleration or With Large Loads		377
Drive Frequency Reference Differs from the Controller Frequency Reference Command		378
Excessive Motor Oscillation and Erratic Rotation		378
Noise From Drive or Motor Cables When the Drive is Powered On		378
Ground Fault Circuit Interrupter (GFCI) Trips During Run		379
Connected Machinery Vibrates When Motor Rotates	Unexpected Noise from Connected Machinery	379
	Oscillation or Hunting	379
PID Output Fault		379
Insufficient Starting Torque		380
Motor Rotates After the Drive Output is Shut Off (Motor Rotates During DC Injection Braking)		380
Output Frequency is not as High as Frequency Reference		380
Buzzing Sound from Motor at 2 kHz		380
Unstable Motor Speed when Using PM or IPM		380
Motor Does Not Restart after Power Loss		381
The Safety Controller Does Not Recognize Safe Disable Monitor Output Signals (Terminals DM+ and DM-)		381

### ◆ Cannot Change Parameter Settings

Cause	Possible Solutions
The drive is running the motor (i.e., the Run command is present).	<ul style="list-style-type: none"> <li>• Stop the drive and switch over to the Programming Mode.</li> <li>• Most parameters cannot be edited during run.</li> </ul>
The Access Level is set to restrict access to parameter settings.	<ul style="list-style-type: none"> <li>• Set the Access Level to allow parameters to be edited (A1-01 = 2).</li> </ul>
The operator is not in the Parameter Setup Mode (the screen will display “PAR”).	<ul style="list-style-type: none"> <li>• See what mode the operator is currently set for.</li> <li>• Parameters cannot be edited when in the Setup Mode (“STUP”). Switch modes so that “PAR” appears on the screen. <i>Refer to The Drive and Programming Modes on page 113.</i></li> </ul>
A multi-function contact input terminal is set to allow or restrict parameter editing (H1-01 through H1-08 = 1B).	<ul style="list-style-type: none"> <li>• When the terminal is open, parameters cannot be edited.</li> <li>• Turn on the multi-function contact input set to 1B.</li> </ul>

Cause	Possible Solutions
The wrong password was entered.	<ul style="list-style-type: none"> <li>If the password entered to A1-04 does not match the password saved to A1-05, then drive settings cannot be changed.</li> <li>Reset the password.</li> </ul> <p>If you cannot remember the password:</p> <ul style="list-style-type: none"> <li>Scroll to A1-04. Press the STOP and up arrow keys simultaneously. Parameter A1-05 will appear.</li> <li>Set a new password to parameter A1-05.</li> </ul>
Undervoltage was detected.	<ul style="list-style-type: none"> <li>Check the drive input power voltage by looking at the control circuit voltage (U1-07).</li> <li>Check all main circuit wiring.</li> </ul>

## ◆ Motor Does Not Rotate Properly after Pressing RUN Button or after Entering External Run Command

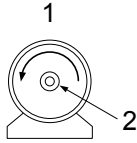
### ■ Motor Does Not Rotate

Cause	Possible Solutions
The drive is not in the Drive Mode.	<ul style="list-style-type: none"> <li>Check if the DRV light on the digital operator is lit.</li> <li>Enter the Drive Mode to begin operating the motor. <i>Refer to The Drive and Programming Modes on page 113.</i></li> </ul>
The LO/RE key was pushed.	<p>Stop the drive and check if the correct frequency reference source is selected. If the operator keypad shall be the source, the LO/RE key LED must be illuminated. If the source is REMOTE, it must be off.</p> <p>Take the following steps to solve the problem:</p> <ul style="list-style-type: none"> <li>Push the LO/RE key.</li> <li>If o2-01 is set to 0, then the LO/RE key will be disabled.</li> </ul>
Auto-Tuning has just completed.	<ul style="list-style-type: none"> <li>When Auto-Tuning completes, the drive is switched back to the Programming Mode. The Run command will not be accepted unless the drive is in the Drive Mode.</li> <li>Use the digital operator to enter the Drive Mode. <i>Refer to The Drive and Programming Modes on page 113.</i></li> </ul>
A Fast Stop was executed and has not yet been reset.	Reset the Fast Stop command.
Settings are incorrect for the source that provides the Run command.	<p>Check parameter b1-02 (Run Command Selection). Set b1-02 so that it corresponds with the correct Run command source.</p> <p>0: Digital operator 1: Control circuit terminal (default setting) 2: MEMOBUS/Modbus communications 3: Option card</p>
There is faulty wiring in the control circuit terminals.	<ul style="list-style-type: none"> <li>Check the wiring for the control terminal.</li> <li>Correct wiring mistakes.</li> <li>Check the input terminal status monitor (U1-10).</li> </ul>
The drive has been set to accept the frequency reference from the incorrect source.	<p>Check parameter b1-01 (Frequency Reference Selection 1). Set b1-01 to the correct source of the frequency reference.</p> <p>0: Digital operator 1: Control circuit terminal (default setting) 2: MEMOBUS/Modbus communications 3: Option card 4: Pulse train input (RP)</p>
The terminal set to accept the main speed reference is set to the incorrect voltage and/or current.	
Selection for the sink/source mode and the internal/external power supply is incorrect.	Check jumper S3. <i>Refer to Sinking/Sourcing Mode for Digital Inputs on page 94.</i>
Frequency reference is too low.	<ul style="list-style-type: none"> <li>Check the frequency reference monitor (U1-01).</li> <li>Increase the frequency by changing the maximum output frequency (E1-09).</li> </ul>
Multi-function analog input is set up to accept gain for the frequency reference, but no voltage (current) has been provided.	<ul style="list-style-type: none"> <li>Check the multi-function analog input settings.</li> <li>Check if analog input A1, A2, or A3 is set for frequency reference gain (H3-02, H3-10, H3-06 = 1). If so, check if the correct signal is applied to the terminal. The gain and the frequency reference will be 0 if no signal is applied to the gain input.</li> <li>Check if H3-02, H3-10, and H3-06 have been set to the proper values.</li> <li>Check if the analog input value has been set properly. (U1-13 to U1-15)</li> </ul>

## 6.10 Troubleshooting without Fault Display

Cause	Possible Solutions
The STOP key was pressed when the drive was started from a REMOTE source.	<ul style="list-style-type: none"> <li>Pressing the STOP key will decelerate the drive to stop.</li> <li>Switch off the Run command and then re-enter a new Run command.</li> <li>Set o2-02 to 0 to disable the STOP key.</li> </ul>
Motor starting torque is too low.	<i>Refer to Motor Performance Fine-Tuning on page 324.</i>
Frequency reference value is too low or the drive does not accept the value entered.	Enter a value that is above the minimum output frequency determined by E1-09.
The sequence Start/Stop sequence is set up incorrectly.	<ul style="list-style-type: none"> <li>If the drive is supposed to be set up for a 2-wire sequence, then ensure parameters H1-03 through H1-08 are not set to 0.</li> <li>If the drive is supposed to be set up for a 3-wire sequence, then one of the parameters H1-03 through H1-08 must be set to 0. Terminal S1 will become the Start, terminal S2 will become the Stop input.</li> </ul>

### ■ Motor Rotates in the Opposite Direction from the Run Command

Cause	Possible Solutions
Phase wiring between the drive and motor is incorrect.	<ul style="list-style-type: none"> <li>Check the motor wiring.</li> <li>Switch two motor cables (U, V, and W) to reverse motor direction.</li> <li>Connect drive output terminals U/T1, V/T2, and W/T3 in the right order to match motor terminals U, V, and W.</li> <li>Change the setting of parameter b1-14.</li> </ul>
The forward direction for the motor is set up incorrectly.	<p>Typically, forward is designated as being counterclockwise when looking from the motor shaft (see figure below).</p>  <ol style="list-style-type: none"> <li>Forward Rotating Motor (looking down the motor shaft)</li> <li>Motor Shaft</li> </ol>
The motor is running at almost 0 Hz and the Speed Search estimated the speed to be in the opposite direction.	<ul style="list-style-type: none"> <li>Disable bi-directional search (b3-14 = 0) so that Speed Search is performed only in the specified direction.</li> </ul>

**Note:** Check the motor specifications for the forward and reverse directions. The motor specifications will vary depending on the manufacturer of the motor.

### ■ Motor Rotates in One Direction Only

Cause	Possible Solutions
The drive prohibits reverse rotation.	<ul style="list-style-type: none"> <li>Check parameter b1-04.</li> <li>Set parameter b1-04 to 0 to allow the motor to rotate in reverse.</li> </ul>
A Reverse run signal has not been entered, although 3-Wire sequence is selected.	<ul style="list-style-type: none"> <li>Make sure that one of the input terminals S3 to S8 used for the 3-Wire sequence has been set for reverse.</li> </ul>

### ◆ Motor is Too Hot

Cause	Possible Solutions
The load is too heavy.	<p>If the load is too heavy for the motor, the motor will overheat as it exceeds its rated torque value for an extended period of time. Keep in mind that the motor also has a short-term overload rating in addition to the possible solutions provided below:</p> <ul style="list-style-type: none"> <li>Reduce the load.</li> <li>Increase the acceleration and deceleration times.</li> <li>Check the values set for the motor protection (L1-01, L1-02) as well as the motor rated current (E2-01).</li> <li>Increase motor capacity.</li> </ul>
The air around the motor is too hot.	<ul style="list-style-type: none"> <li>Check the ambient temperature.</li> <li>Cool the area until it is within the specified temperature range.</li> </ul>
The drive is operating in a vector control mode but Auto-Tuning has not yet been performed.	<ul style="list-style-type: none"> <li>Perform Auto-Tuning.</li> <li>Calculate the motor value and reset the motor parameters.</li> <li>Change the motor control method to V/f Control (A1-02 = 0).</li> </ul>

Cause	Possible Solutions
Insufficient voltage insulation between motor phases.	When the motor cable is long, high voltage surges occur between the motor coils and drive switching. Normally, surges can reach up to three times the drive input power supply voltage. <ul style="list-style-type: none"> <li>• Use a motor with a voltage tolerance higher than the maximum voltage surge.</li> <li>• Use an inverter-duty motor rated for use with AC drives when using the motor on drives rated higher than 200 V class.</li> </ul>
The motor fan has stopped or is clogged.	Check the motor fan.
The carrier frequency is too low.	Increase the carrier frequency to lower the current harmonic distortion and lower the motor temperature.

◆ Drive Does Not Allow Selection of the Desired Auto-Tuning Mode

Cause	Possible Solutions
The desired Auto-Tuning mode is not available for the selected control mode.	<ul style="list-style-type: none"> <li>• Check if the desired tuning mode is available for the selected control mode. <i>Refer to Auto-Tuning on page 130.</i></li> <li>• Change the motor control method by setting A1-02.</li> </ul>

◆ oPE02 Error Occurs When Lowering the Motor Rated Current Setting

Cause	Possible Solutions
Motor rated current and the motor no-load current setting in the drive are incorrect.	<ul style="list-style-type: none"> <li>• The user is trying to set the motor rated current in E2-01 to a value lower than the no-load current set in E2-03.</li> <li>• Make sure that value set in E2-01 is higher than E2-03.</li> <li>• If it is necessary to set E2-01 lower than E2-03, first lower the value set to E2-03, then change the setting in E2-01 as needed.</li> </ul>

◆ Motor Stalls during Acceleration or Acceleration Time is Too Long

Cause	Possible Solutions
Torque limit has been reached or current suppression keeps the drive from accelerating.	Take the following steps to resolve the problem:
Load is too heavy.	<ul style="list-style-type: none"> <li>• Reduce the load.</li> <li>• Increase motor capacity.</li> </ul> <p><b>Note:</b> Although the drive has a Stall Prevention function and a Torque Compensation Limit function, accelerating too quickly or trying to drive an excessively large load can exceed the capabilities of the motor.</p>
Torque limit is not set properly.	Check the torque limit setting.
Frequency reference is too low.	<ul style="list-style-type: none"> <li>• Check the maximum output frequency (E1-04).</li> <li>• Increase E1-04 if it is set too low.</li> </ul>
	Check U1-01 for proper frequency reference.
	Check if a frequency reference signal switch has been set to one of the multi-function input terminals.
Load is too heavy.	Check for low gain level set to terminals A1, A2, or A3 (H3-03, H3-11, H3-07).
	<ul style="list-style-type: none"> <li>• Reduce the load so that the output current remains within the motor rated current.</li> <li>• In extruder and mixer applications, the load will sometimes increase as the temperature drops.</li> </ul>
	<ul style="list-style-type: none"> <li>• Increase the acceleration time.</li> <li>• Check if the mechanical brake is fully releasing as it should.</li> </ul>
Acceleration time has been set too long.	Check if the acceleration time parameters have been set too long (C1-01, C1-03, C1-05, C1-07).
Motor characteristics and drive parameter settings are incompatible with one another.	<ul style="list-style-type: none"> <li>• Set the correct V/f pattern so that it matches the characteristics of the motor being used.</li> <li>• Check the V/f pattern set to E1-03.</li> <li>• Execute Rotational Auto-Tuning.</li> </ul>
Although the drive is operating in Open Loop Vector motor control method, Auto-Tuning has not been performed.	<ul style="list-style-type: none"> <li>• Perform Auto-Tuning.</li> <li>• Calculate motor data and reset motor parameters.</li> <li>• Switch to V/f Control (A1-02 = 0).</li> </ul>

## 6.10 Troubleshooting without Fault Display

Cause	Possible Solutions
Incorrect frequency reference setting.	<ul style="list-style-type: none"> <li>Check the multi-function analog input settings. Multi-function analog input terminal A1, A2, or A3 is set for frequency gain (H3-02, H3-10, or H3-06 is set to "1"), but there is no voltage or current input provided.</li> <li>Make sure H3-02, H3-10, and H3-06 are set to the proper values.</li> <li>See if the analog input value is set to the right value (U1-13 to U1-15).</li> </ul>
The Stall Prevention level during acceleration and deceleration set too low.	<ul style="list-style-type: none"> <li>Check the Stall Prevention level during acceleration (L3-02).</li> <li>If L3-02 is set too low, acceleration may be taking too long.</li> <li>Increase L3-02.</li> </ul>
The Stall Prevention level during run has been set too low.	<ul style="list-style-type: none"> <li>Check the Stall Prevention level during run (L3-06).</li> <li>If L3-06 is set too low, speed will drop as the drive outputs torque.</li> <li>Increase the setting value.</li> </ul>
Drive reached the limitations of the V/f motor control method.	<ul style="list-style-type: none"> <li>The motor cable may be long enough (over 50 m) to require Auto-Tuning for line-to-line resistance.</li> <li>Be aware that V/f Control is comparatively limited when it comes to producing torque at low speeds.</li> <li>Consider switching to Open Loop Vector Control.</li> </ul>

### ◆ Drive Frequency Reference Differs from the Controller Frequency Reference Command

Cause	Possible Solutions
The analog input gain and bias for the frequency reference input are set to incorrect values.	<ul style="list-style-type: none"> <li>Check the gain and bias settings for the analog inputs that are used to set the frequency reference. Check parameters H3-03 and H3-04 for input A1, check parameters H3-11, and H3-12 for input A2, and check parameters H3-07 and H3-08 for input A3.</li> <li>Set these parameters to the appropriate values.</li> </ul>
A frequency bias signal is being entered via analog input terminals A1 to A3.	<ul style="list-style-type: none"> <li>If more than one of multi-function analog inputs A1 to A3 is set for frequency reference bias (H3-02, H3-10, or H3-06 is set to "0"), then the sum of all signals builds the frequency reference.</li> <li>Make sure that H3-02, H3-10, and H3-06 are set appropriately.</li> <li>Check the input level set for terminals A1 to A3 (U1-13 to U1-15).</li> </ul>
PID control is enabled, and the drive is consequently adjusting the output frequency to match the PID setpoint. The drive will only accelerate to the maximum output frequency set in E1-04 while PID control is active.	If PID control is not necessary for the application, disable it by setting b5-01 to 0.

### ◆ Excessive Motor Oscillation and Erratic Rotation

Cause	Possible Solutions
Poor balance between motor phases.	Check drive input power voltage to ensure that it provides stable power.
Hunting prevention function is disabled.	<ul style="list-style-type: none"> <li>Enable Hunting Prevention (n1-01 = 1).</li> <li>Increase the AFR gain (n2-01) or the AFR time constant 1 (n2-02).</li> </ul>

### ◆ Noise From Drive or Motor Cables When the Drive is Powered On

Cause	Possible Solutions
Relay switching in the drive generates excessive noise.	<ul style="list-style-type: none"> <li>Lower the carrier frequency (C6-02).</li> <li>Install a noise filter on the input side of drive input power.</li> <li>Install a noise filter on the output side of the drive.</li> <li>Place the wiring inside a metal conduit to shield it from switching noise.</li> <li>Ground the drive and motor properly.</li> <li>Separate the main circuit wiring and the control lines.</li> <li>Make sure wires and the motor have been properly grounded.</li> </ul>

## ◆ Ground Fault Circuit Interrupter (GFCI) Trips During Run

Cause	Possible Solutions
Excessive leakage current trips GFCI.	<ul style="list-style-type: none"> <li>• Check the wiring and rating of peripheral devices.</li> <li>• Increase the GFCI sensitivity or use GFCI with a higher threshold.</li> <li>• Lower the carrier frequency (C6-02).</li> <li>• Reduce the length of the cable used between the drive and the motor.</li> <li>• Install a noise filter or reactor on the output side of the drive. Set the carrier frequency to 2 kHz when connecting a reactor.</li> <li>• Disable the internal EMC filter.</li> </ul>

## ◆ Connected Machinery Vibrates When Motor Rotates

### ■ Unexpected Noise from Connected Machinery

Cause	Possible Solutions
The carrier frequency is at the resonant frequency of the connected machinery.	Adjust the carrier frequency using parameters C6-02 through C6-05.
The drive output frequency is the same as the resonant frequency of the connected machinery.	<ul style="list-style-type: none"> <li>• Adjust the parameters used for the Jump frequency function (d3-01 through d3-04) to skip the problem-causing bandwidth.</li> <li>• Place the motor on a rubber pad to reduce vibration.</li> </ul>

**Note:** Set C6-02 to a value between 1 and 4 and check the motor to inspect for a motor error.

### ■ Oscillation or Hunting

Cause	Possible Solutions
Insufficient tuning.	Perform Auto-Tuning. <i>Refer to Motor Performance Fine-Tuning on page 324.</i>
Gain is too low when using PID control.	<i>Refer to b5: PID Control on page 177 for details.</i>
The frequency reference is assigned to an external source and the signal is noisy.	<ul style="list-style-type: none"> <li>• Ensure that noise is not affecting the signal lines.</li> <li>• Separate main circuit wiring and control circuit wiring.</li> <li>• Use twisted-pair cables or shielded wiring for the control circuit.</li> <li>• Increase the analog input time filter constant (H3-13).</li> </ul>
The cable between the drive and motor is too long.	<ul style="list-style-type: none"> <li>• Perform Auto-Tuning.</li> <li>• Reduce the length of the cable.</li> </ul>

## ◆ PID Output Fault

Cause	Possible Solutions
No PID feedback input.	<ul style="list-style-type: none"> <li>• Check the multi-function analog input terminal settings.</li> <li>• Set multi-function analog input terminal A1, A2, or A3 for PID feedback (H3-02, H3-10, or H3-06 = B).</li> <li>• A signal input to the terminal selection for PID feedback is needed.</li> <li>• Check the connection of the feedback signal.</li> <li>• Check the various PID-related parameter settings.</li> <li>• No PID feedback input to the terminal causes the value detected to be 0, causing a PID fault and the drive to operate at max frequency.</li> </ul>
The level of detection and the target value do not correspond with each other.	<ul style="list-style-type: none"> <li>• PID control keeps the difference between target and detection values at 0. Set the input level for the values relative to one another.</li> <li>• Use analog input gains H3-03, H3-07, and H3-11 to adjust PID target and feedback signal scaling.</li> </ul>
Reverse drive output frequency and speed detection. When output frequency rises, the sensor detects a speed decrease.	Set PID output for reverse characteristics (b5-09 = 1).
Adjustment made to PID parameter settings are insufficient.	<i>Refer to b5: PID Control on page 177 for details.</i>



## 6.10 Troubleshooting without Fault Display

### ◆ Insufficient Starting Torque

Cause	Possible Solutions
Auto-Tuning has not yet been performed (required for vector control modes).	Perform Auto-Tuning. <i>Refer to Motor Performance Fine-Tuning on page 324.</i>
The control mode was changed after performing Auto-Tuning.	Perform Auto-Tuning again.
Only Stationary Auto-Tuning was performed.	Perform Rotational Auto-Tuning.

### ◆ Motor Rotates after the Drive Output is Shut Off (Motor Rotates During DC Injection Braking)

Cause	Possible Solutions
DC Injection Braking is set too low and the drive cannot decelerate properly.	<ul style="list-style-type: none"> <li>Adjust the DC Injection braking settings.</li> <li>Increase the current level for DC Injection Braking Current (b2-02).</li> <li>Increase the DC Injection Braking time at stop (b2-04).</li> </ul>
The stopping method is set so that the drive coasts to stop.	Set b1-03 (Stopping Method Selection) to 0 or 2.

### ◆ Output Frequency is Not as High as Frequency Reference

Cause	Possible Solutions
Frequency reference is set within the range of the Jump frequency.	<ul style="list-style-type: none"> <li>Adjust the parameters used for the Jump frequency function (d3-01, d3-02, d3-03).</li> <li>Enabling the Jump frequency prevents the drive from outputting the frequencies specified in the Jump range.</li> </ul>
Upper limit for the frequency reference has been exceeded.	<ul style="list-style-type: none"> <li>Set the maximum output frequency and the upper limit for the frequency reference to more appropriate values (E1-04, d2-01).</li> <li>The following calculation yields the upper value for the output frequency:  <math>E1-04 \times d2-01 / 100</math> </li> </ul>
Large load triggered Stall Prevention function during acceleration.	<ul style="list-style-type: none"> <li>Reduce the load.</li> <li>Adjust the Stall Prevention level during acceleration (L3-02).</li> </ul>

### ◆ Sound from Motor

Cause	Possible Solutions
Exceeded 110% of the rated output current of the drive while operating at low speeds.	<ul style="list-style-type: none"> <li>If the output current rises too high at low speeds, the carrier frequency is automatically reduced and causes a whining or buzzing sound.</li> <li>If the sound is coming from the motor, disable carrier frequency derating (L8-38 = 0).</li> <li>Disabling the automatic carrier frequency derating increases the chances of an overload fault (oL2). Switch to a larger capacity motor if oL2 faults occur too frequently.</li> </ul>

### ◆ Unstable Motor Speed when Using PM

Cause	Possible Solutions
The motor code for the PM motor (E5-01 or T2-02) is set incorrectly (Yaskawa motors only).	<i>Refer to Motor Performance Fine-Tuning on page 324</i> for details.
Drive is attempting to operate the motor beyond the speed control range listed in the specifications.	Check the speed control range and adjust the speed accordingly.
Motor hunting occurs.	<i>Refer to Motor Performance Fine-Tuning on page 324</i> for details.
Hunting occurs at start.	Increase the S-curve time at the start of acceleration (C2-01).
Too much current is flowing through the drive.	<ul style="list-style-type: none"> <li>Enter the correct motor code for the PM motor being used into E5-01.</li> <li>For special-purpose motors, enter the correct data to all E5 parameters according to the test report provided for the motor.</li> </ul>



### ◆ Motor Does Not Restart after Power Loss

Cause	Possible Solutions
The Run command was not issued again when power was restored.	<ul style="list-style-type: none"> <li>• Check the sequence and wiring that has been set up to enter the Run command.</li> <li>• A relay should be set up to make sure the Run command remains enabled throughout any power loss.</li> </ul>
The relay that is supposed to maintain the Run command has been switched off.	Check wiring and circuitry for the relay intended to keep the Run command enabled.

### ◆ The Safety Controller Does Not Recognize Safe Disable Monitor Output Signals (Terminals DM+ and DM-)

Cause	Possible Solutions
There is faulty wiring in the Safe Disable monitor output terminals.	<ul style="list-style-type: none"> <li>• Check the Safe Disable monitor output terminal wiring.</li> <li>• Correct any wiring mistakes.</li> </ul>

**This Page Intentionally Blank**

# Periodic Inspection & Maintenance

---

This chapter describes the periodic inspection and maintenance of the drive to ensure that it receives the proper care to maintain overall performance.

<b>7.1</b>	<b>SECTION SAFETY.....</b>	<b>384</b>
<b>7.2</b>	<b>INSPECTION.....</b>	<b>386</b>
<b>7.3</b>	<b>PERIODIC MAINTENANCE.....</b>	<b>389</b>
<b>7.4</b>	<b>DRIVE COOLING FANS.....</b>	<b>391</b>
<b>7.5</b>	<b>DRIVE REPLACEMENT.....</b>	<b>405</b>

## 7.1 Section Safety

### WARNING

#### Electrical Shock Hazard

**Do not connect or disconnect wiring while the power is on.**

Failure to comply could result in death or serious injury.

Before servicing, disconnect all power to the equipment. The capacitor for the control power supply remains charged even after the power supply is turned off. The charge indicator LED will extinguish when the control power supply voltage is below 50 Vdc. To prevent electric shock, wait for at least the time specified on the warning label; after all indicators are OFF, measure for unsafe voltages to confirm the drive is safe prior to servicing.

**Do not operate equipment with covers removed.**

Failure to comply could result in death or serious injury.

The diagrams in this section may show drives without covers or safety shields to show details. Be sure to reinstall covers or shields before operating the drives and run the drives according to the instructions described in this manual.

**Always ground the motor-side grounding terminal.**

Improper equipment grounding could result in death or serious injury by contacting the motor case.

**Do not remove covers or touch circuit boards while the power is on.**

Failure to comply could result in death or serious injury.

**Do not allow unqualified personnel to perform work on the drive.**

Failure to comply could result in death or serious injury.

Installation, maintenance, inspection, and service must be performed only by authorized personnel familiar installation, adjustment, and maintenance of drives.

**Do not perform work on the drive while wearing loose clothing, jewelry or without eye protection.**

Failure to comply could result in death or serious injury.

Remove all metal objects such as watches and rings, secure loose clothing, and wear eye protection before beginning work on the drive.

**Do not touch any terminals before the capacitors have fully discharged.**

Failure to comply could result in death or serious injury.

Before servicing, disconnect all power to the equipment. The capacitor for the control power supply remains charged even after the power supply is turned off. The charge indicator LED will extinguish when the control power supply voltage is below 50 Vdc. To prevent electric shock, wait for at least the time specified on the warning label; after all indicators are OFF, measure the control power supply voltage level to confirm it has reached a safe level.

#### Fire Hazard

**Tighten all terminal screws to the specified tightening torque.**

Loose electrical connections could result in death or serious injury by fire due to overheating of electrical connections.

**Do not use an improper voltage source.**

Failure to comply could result in death or serious injury by fire.

Verify that the rated voltage of the drive matches the voltage of the incoming power supply before applying power.

**Do not use improper combustible materials.**

Failure to comply could result in death or serious injury by fire.

Attach the drive to metal or other noncombustible material.

**NOTICE****Observe proper electrostatic discharge procedures (ESD) when handling the drive and circuit boards.**

Failure to comply may result in ESD damage to the drive circuitry.

**Follow cooling fan replacement instructions. The cooling fan cannot operate properly when it is installed incorrectly and could seriously damage the drive.**

Follow the instructions in this manual to replace the cooling fan, making sure that the label is on top before inserting the cooling fan into the drive. To ensure maximum useful product life, replace both cooling fans when performing maintenance.

**Never connect or disconnect the motor from the drive while the drive is outputting voltage.**

Improper equipment sequencing could result in damage to the drive.

**Do not use unshielded cable for control wiring.**

Failure to comply may cause electrical interference resulting in poor system performance. Use shielded, twisted-pair wires and ground the shield to the ground terminal of the drive.

**Do not allow unqualified personnel to use the product.**

Failure to comply could result in damage to the drive.

Maintenance, inspection, and replacement of parts must be performed only by authorized personnel familiar with installation, adjustment and maintenance of AC drives.

**Do not modify the drive circuitry.**

Failure to comply could result in damage to the drive and will void warranty.

Yaskawa is not responsible for any modification of the product made by the user. This product must not be modified.

**Check all the wiring to ensure that all connections are correct after installing the drive and connecting any other devices.**

Failure to comply could result in damage to the drive.

**Comply with proper wiring practices.**

The motor may run in reverse if the phase order is backward.

Connect motor input terminals U, V and W to drive output terminals U/T1, V/T2, and W/T3. The phase order for the drive and motor should match.

**Frequently switching the drive power supply to stop and start the motor can damage the drive.**

To get the full performance life out of the capacitor for the control power supply and circuit relays, refrain from switching the drive power supply off and on more than once every 30 minutes. Frequent use can damage the drive. Use the drive to stop and start the motor.

**Do not operate damaged equipment.**

Failure to comply could result in further damage to the equipment.

Do not connect or operate any equipment with visible damage or missing parts.

## 7.2 Inspection

Power electronics have limited life and may exhibit changes in characteristics or performance deterioration after years of use under normal conditions. To help avoid such problems, it is important to perform preventive maintenance and periodic inspection on the drive.

Drives contain a variety of power electronics such as power transistors, semiconductors, capacitors, resistors, fans, and relays. The electronics in the drive serve a critical role in maintaining proper motor control.

Follow the inspection lists provided in this chapter as a part of a regular maintenance program.

**Note:** The drive will require more frequent inspection if it is placed in harsh environments, such as:

- High ambient temperatures
- Frequent starting and stopping
- Fluctuations in the AC supply or load
- Excessive vibrations or shock loading
- Dust, metal dust, salt, sulfuric acid, chlorine atmospheres
- Poor storage conditions.

Perform the first equipment inspection one to two years after installation.

### ◆ Recommended Daily Inspection

*Table 7.1* outlines the recommended daily inspection for Yaskawa drives. Check the following items on a daily basis to avoid premature deterioration in performance or product failure. Copy this checklist and mark the “Checked” column after each inspection.

**Table 7.1 General Recommended Daily Inspection Checklist**

Inspection Category	Inspection Points	Corrective Action	Checked
<b>Motor</b>	Inspect for abnormal oscillation or noise coming from the motor.	<ul style="list-style-type: none"> <li>• Check the load coupling.</li> <li>• Measure motor vibration.</li> <li>• Tighten all loose components.</li> </ul>	
<b>Cooling</b>	Inspect for abnormal heat generated from the drive or motor and visible discoloration.	Check for the following: <ul style="list-style-type: none"> <li>• Excessive load.</li> <li>• Loose connections.</li> <li>• Dirty heatsink or motor.</li> <li>• Ambient temperature.</li> </ul>	
	Inspect drive cooling fan and circulation fan operation.	Check for the following: <ul style="list-style-type: none"> <li>• Clogged or dirty fan.</li> <li>• Correct Fan operation parameter setting.</li> </ul>	
<b>Environment</b>	Verify the drive environment complies with the specifications listed in <i>Installation Environment</i> on page 50.	Eliminate the source of contaminants or correct poor environment.	
<b>Load</b>	The drive output current should not be higher than the motor or drive rating for an extended period of time.	Check for the following: <ul style="list-style-type: none"> <li>• Excessive load.</li> <li>• Correct motor parameter settings.</li> </ul>	
<b>Power Supply Voltage</b>	Check main power supply and control voltages.	<ul style="list-style-type: none"> <li>• Correct the voltage or power supply to within nameplate specifications.</li> <li>• Verify all main circuit phases.</li> </ul>	

## ◆ Recommended Periodic Inspection

**Table 7.2** outlines the recommended periodic inspections for Yaskawa drive installations. Although periodic inspections should generally be performed once a year; the drive may require more frequent inspection in harsh environments or with rigorous use. Operating and environmental conditions, along with experience in each application, will determine the actual inspection frequency for each installation. Periodic inspection will help to avoid premature deterioration in performance or product failure. Copy this checklist and mark the “Checked” column after each inspection.

### ■ Periodic Inspection

**WARNING! Electrical Shock Hazard.** Do not inspect, connect, or disconnect any wiring while the power is on. Failure to comply can result in serious personal injury. Before servicing, disconnect all power to the equipment. The capacitor for the control power supply remains charged even after the power supply is turned off. The charge indicator LED will extinguish when the control power supply voltage is below 50 Vdc. To prevent electric shock, wait for at least the time specified on the warning label; after all indicators are OFF, measure for unsafe voltages to confirm the drive is safe prior to servicing.

**Table 7.2 Periodic Inspection Checklist**

Inspection Area	Inspection Points	Corrective Action	Checked
<b>Main Circuit Periodic Inspection</b>			
General	<ul style="list-style-type: none"> <li>Inspect equipment for discoloration from overheating or deterioration.</li> <li>Inspect for damaged or deformed parts.</li> </ul>	<ul style="list-style-type: none"> <li>Replace damaged components as required.</li> <li>The drive has few serviceable parts and may require complete drive replacement.</li> </ul>	
	Inspect for dirt, foreign particles, or dust collection on components.	<ul style="list-style-type: none"> <li>Inspect enclosure door seal if used.</li> <li>Remove foreign particles and dust with a vacuum cleaner to avoid touching parts.</li> <li>Replace components if cleaning is not possible.</li> </ul>	
Conductors and Wiring	<ul style="list-style-type: none"> <li>Inspect wiring and connections for discoloration, damage, or heat stress.</li> <li>Inspect wire insulation and shielding for wear.</li> </ul>	Repair or replace damaged wiring.	
Terminals	Inspect terminals for stripped, damaged, or loose connections.	Tighten loose screws and replace damaged screws or terminals.	
Relays and Contactors	<ul style="list-style-type: none"> <li>Inspect contactors and relays for excessive noise during operation.</li> <li>Inspect coils for signs of overheating such as melted or cracked insulation.</li> </ul>	<ul style="list-style-type: none"> <li>Check coil voltage for overvoltage or undervoltage conditions.</li> <li>Replace damaged removable relays, contactors, or circuit board.</li> </ul>	
Electrolytic Capacitor	<ul style="list-style-type: none"> <li>Inspect for leaking, discoloration, or cracks.</li> <li>Check if the cap has come off, for any swelling, or if the sides have burst open.</li> </ul>	The drive has few serviceable parts and may require complete drive replacement.	
Diode, IGBT (Power Transistor)	Inspect for dust or other foreign material collected on the surface.	Remove foreign particles and dust with a vacuum cleaner to avoid touching parts.	
<b>Motor Periodic Inspection</b>			
Operation Check	Check for increased vibration or abnormal noise.	Stop the motor and contact qualified maintenance personnel as required.	
<b>Control Circuit Periodic Inspection</b>			
General	<ul style="list-style-type: none"> <li>Inspect terminals for stripped, damaged, or loose connections.</li> <li>Make sure all terminals have been properly tightened.</li> </ul>	<ul style="list-style-type: none"> <li>Tighten loose screws and replace damaged screws or terminals.</li> <li>If terminals are integral to a circuit board, then board or drive replacement may be required.</li> </ul>	
Circuit Boards	Check for any odor, discoloration, and rust. Make sure connections are properly fastened and that no dust or oil mist has accumulated on the surface of the board.	<ul style="list-style-type: none"> <li>Fix any loose connections.</li> <li>If an antistatic cloth or vacuum plunger cannot be used, replace the board.</li> <li>Do not use any solvents to clean the board.</li> <li>Remove foreign particles and dust with a vacuum cleaner to avoid touching parts.</li> </ul> The drive has few serviceable parts and may require complete drive replacement.	
<b>Cooling System Periodic Inspection</b>			
Cooling Fan, Circulation Fan	<ul style="list-style-type: none"> <li>Check for abnormal oscillation or unusual noise.</li> <li>Check for damaged or missing fan blades.</li> </ul>	<ul style="list-style-type: none"> <li>Replace as required.</li> <li><i>Refer to Drive Cooling Fans on page 391</i> for information on cleaning or replacing the fan.</li> </ul>	
Heatsink	Inspect for dust or other foreign material collected on the surface.	Remove foreign particles and dust with a vacuum cleaner to avoid touching parts.	

## 7.2 Inspection

Inspection Area	Inspection Points	Corrective Action	Checked
<b>Display Periodic Inspection</b>			
<b>Digital Operator</b>	<ul style="list-style-type: none"><li>• Make sure data appears on the display properly.</li><li>• Inspect for dust or other foreign material that may have collected on surrounding components.</li></ul>	<ul style="list-style-type: none"><li>• Contact the nearest sales office if there is any trouble with the display or keypad.</li></ul>	



## 7.3 Periodic Maintenance

The drive has Maintenance Monitors that keep track of component wear. This feature provides advance maintenance warning and eliminates the need to shut down the entire system for unexpected problems. The drive allows the user to check predicted maintenance periods for the components listed below.

- Cooling Fan, Circulation Fan
- Capacitors for the Control Power Supply
- Inrush Prevention Circuit

For replacement parts, contact the distributor where the drive was purchased or contact Yaskawa directly.

### ◆ Replacement Parts

**Table 7.3** contains the estimated performance life of components that require replacement during the life of the drive. Only use Yaskawa replacement parts for the appropriate drive model and revision.

**Table 7.3 Estimated Performance Life**

Component	Estimated Performance Life
Cooling Fan, Circulation Fan	10 years
Capacitors for the Control Power Supply	10 years <1>

<1> Capacitors for the control power supply cannot be replaced on some lower capacity models. Complete drive replacement may be required for these models.

**NOTICE:** *Estimated performance life based on specific usage conditions. These conditions are provided for the purpose of replacing parts to maintain performance. Some parts may require more frequent replacement due to poor environments or rigorous use.*

*Usage conditions for estimated performance life:*

*Ambient temperature: Yearly average of 40 °C (IP00/Open Type enclosure)*

*Load factor: 80% maximum*

*Operation time: 24 hours a day*

### ■ Performance Life Monitors Maintenance Monitors

The drive calculates the maintenance period for components that may require replacement during the life of the drive. A percentage of the maintenance period is displayed on the digital operator by viewing the appropriate monitor parameter.

When the maintenance period reaches 100%, there is increased risk that the drive may malfunction. Yaskawa recommends checking the maintenance period regularly to ensure maximum performance life.

**Refer to Recommended Periodic Inspection on page 387** for more details.

**Table 7.4 Performance Life Monitors Used for Component Replacement**

Parameter	Component	Contents
U4-03	Cooling Fan	Displays the accumulated operation time of the fan from 0 to 99999 hours. This value is automatically reset to 0 after it reaches 99999.
U4-04	Circulation Fan	
U4-05	DC Bus Capacitors	Displays the accumulated time the capacitors are used as a percentage of the specified maintenance period.
U4-06	Pre-charge Circuit	Displays the number of times the drive is powered up as a percentage of the performance life of the inrush circuit.

## 7.3 Periodic Maintenance

### ■ Alarm Outputs for Maintenance Monitors

An output can be set up to inform the user when a specific components has neared its expected performance life.

When one of multi-function digital output terminals has been assigned the maintenance monitor function (H2-□□ = 2F), the terminal will close when the cooling fan, DC bus capacitors, or DC bus pre-charge relay reach 90% of expected performance life. Additionally the digital operator will display an alarm like shown in [Table 7.5](#) to indicate the specific components that may need maintenance.

**Table 7.5 Maintenance Alarms**

Display	Function	Corrective Action
LT-1 </>	The cooling fans have reached 90% of their designated life time.	Replace the cooling fan.
LT-2 </>	The DC bus capacitors have reached 90% of their designated life time.	Contact a Yaskawa representative or the nearest Yaskawa sales office on possible drive replacement.
LT-3 </>	The pre-charge circuit has reached 90% of its designated life time.	Contact a Yaskawa representative or the nearest Yaskawa sales office on possible drive replacement.

<1> This alarm message will be output only if the Maintenance Monitor function is assigned to one of the digital outputs (H2-□□ = 2F). The alarm will also trigger a digital output that is programmed for alarm indication (H2-□□ = 10).

### ■ Related Drive Parameters

Use parameters o4-03, o4-05, and o4-07, to reset a Maintenance Monitor to zero after replacing a specific component. [Refer to Parameter List on page 441](#) for details on parameter settings.

**NOTICE:** *If these parameters are not reset after the corresponding parts have been replaced, the Maintenance Monitor function will continue to count down the performance life from the value that was reached with the old part. If the Maintenance Monitor is not reset, the drive will not have the correct value of the performance life for the new component.*

## 7.4 Drive Cooling Fans

**NOTICE:** Follow cooling fan replacement instructions. The cooling fan cannot operate properly when installed incorrectly and could seriously damage the drive. To ensure maximum useful product life, replace all cooling fans when performing maintenance.

Contact a Yaskawa representative or the nearest Yaskawa sales office to order replacement cooling fans as required.

For drives with multiple cooling fans, replace all the fans when performing maintenance to ensure maximum product performance life.

### ◆ Number of Cooling Fans

Drive Model	Cooling Fans	Circulation Fans	Page
<b>Three-Phase 200 V Class</b>			
2□0028	2	–	<b>393</b>
2□0042	2	–	
2□0054	2	–	
2□0068	2	–	
2□0081	2	–	
2□0104	2	–	
2□0130	2	–	
2□0154	3	–	<b>395</b>
2□0192	3	–	<b>399</b>
2□0248	1	2	
<b>Three-Phase 400 V Class</b>			
4□0011	2	–	<b>393</b>
4□0014	2	–	
4□0021	2	–	
4□0027	2	–	
4□0034	2	–	
4□0040	2	–	
4□0052	2	–	
4□0065	2	–	
4□0077	2	–	
4□0096	2	–	
4□0124	2	–	
4□0156	3	–	
4□0180	3	–	<b>399</b>
4□0216	1	2	
4□0240	1	2	
4□0302	2	2	
4□0361	2	2	
4□0414	2	2	

### ◆ Cooling Fan Component Names

**WARNING! Electrical Shock Hazard.** Do not connect or disconnect wiring while the power is on. Failure to comply can result in serious personal injury. Before servicing the drive, disconnect all power to the equipment. The capacitor for the control power supply remains charged even after the power supply is turned off. After shutting off the power, wait for at least the amount of time specified on the drive before touching any components.

**CAUTION! Burn Hazard.** Do not touch a hot drive heatsink. Failure to comply could result in minor or moderate injury. Shut off the power to the drive when replacing the cooling fan. To prevent burns, wait at least 15 minutes and ensure the heatsink has cooled down.

**NOTICE: Prevent Equipment Damage.** Follow cooling fan and circulation fan replacement instructions. Fans cannot operate properly when they are installed incorrectly and can damage the drive. Follow the instructions below to replace the fans, making sure that the label is on top before inserting the fan into the drive. To ensure maximum useful product life, replace all fans when performing maintenance.

**Note:** Procedures shown in this section use a representative drive model. Figures in these procedures may differ slightly from the actual model used by the customer.

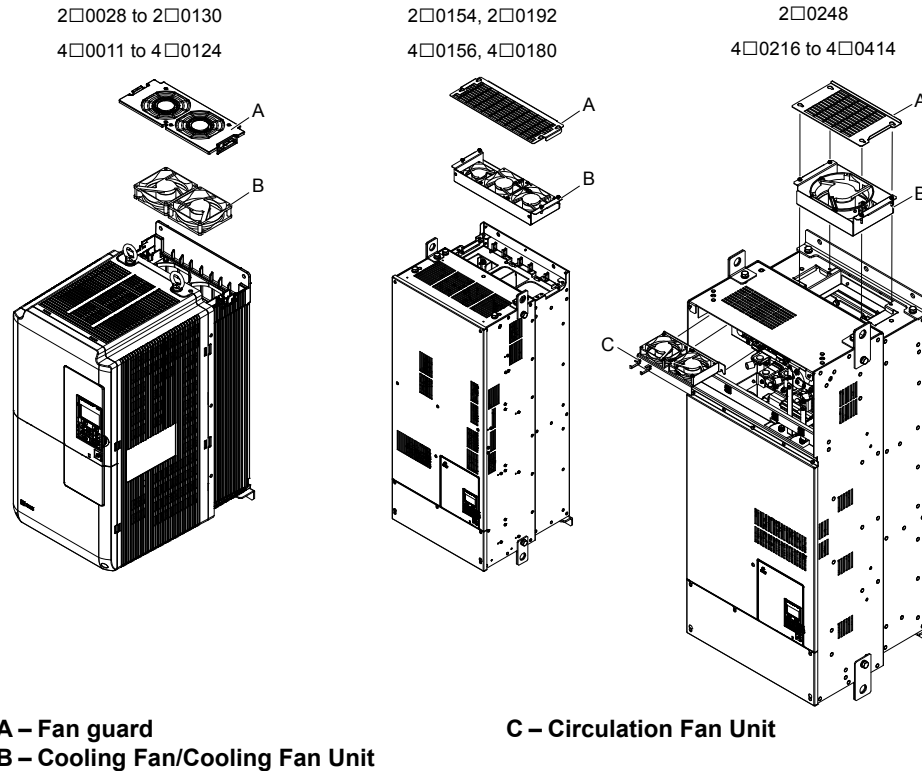


Figure 7.1 Cooling Fan Component Names

## ◆ Cooling Fan Replacement: 2□0028 to 2□0130 and 4□0011 to 4□0124

**WARNING!** *Electrical Shock Hazard. Do not connect or disconnect wiring while the power is on. Failure to comply can result in serious personal injury. Before servicing the drive, disconnect all power to the equipment. The capacitor for the control power supply remains charged even after the power supply is turned off. After shutting off the power, wait for at least the amount of time specified on the drive before touching any components.*

**CAUTION!** *Burn Hazard. Do not touch a hot drive heatsink. Failure to comply could result in minor or moderate injury. Shut off the power to the drive when replacing the cooling fan. To prevent burns, wait at least 15 minutes and ensure the heatsink has cooled down.*

**NOTICE:** *Prevent Equipment Damage. Follow cooling fan and circulation fan replacement instructions. Improper fan replacement could cause damage to equipment. Make sure the fan is facing upwards when installing the replacement fan into the drive. Replace all fans when performing maintenance to help ensure maximum useful product life.*

### ■ Removing the Cooling Fan Guard and Cooling Fan

1. Depress the right and left sides of the fan guard tabs and pull upward. Remove the fan guard from the top of the drive.

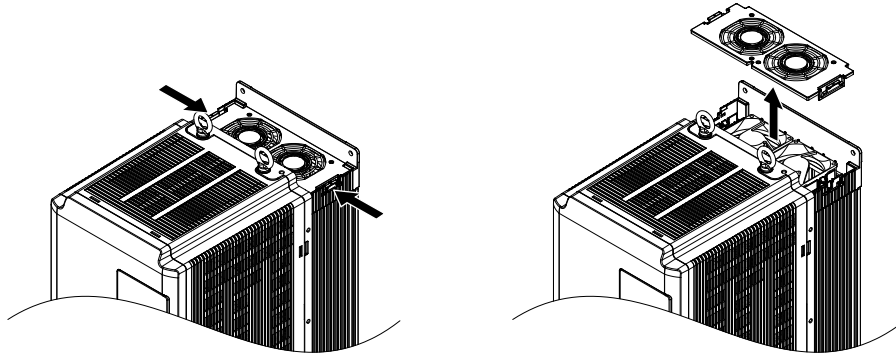


Figure 7.2 Remove the Fan Guard

2. Remove the cooling fan cartridge.

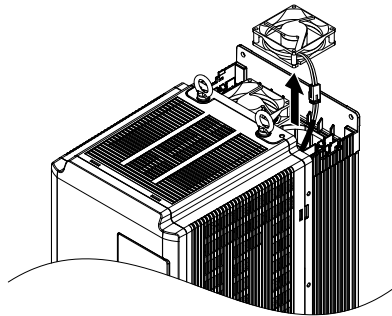


Figure 7.3 Remove the Cooling Fan Cartridge

3. Disconnect the pluggable connector and remove the fan.

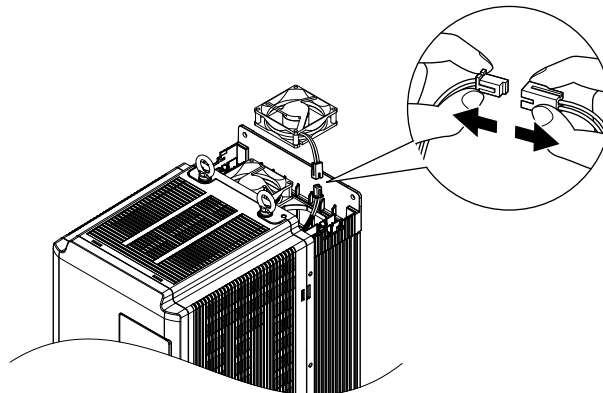


Figure 7.4 Disconnect the Cooling Fan

### ■ Installing the Cooling Fan

Reverse the procedure described above to reinstall the cooling fan.

1. Properly plug the relay connector.

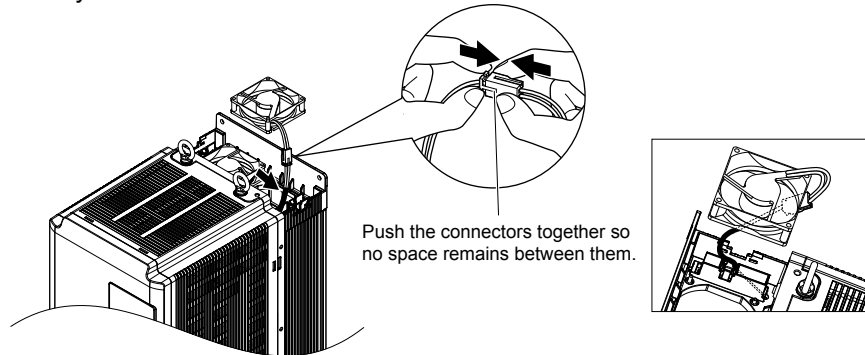
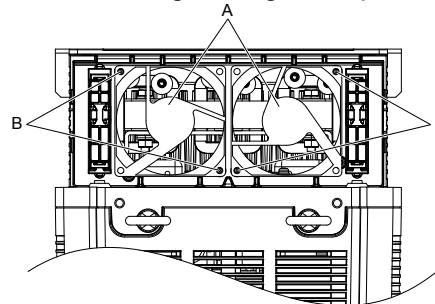


Figure 7.5 Plug the Relay Connector

2. Install the replacement fan into the drive, ensuring the alignment pins line up as shown in [Figure 7.6](#).



A – Label facing up

B – Make sure the alignment pins line up properly.

Figure 7.6 Install the Cooling Fan

3. Properly connect the fan power lines, then place the cable back into the recess of the drive.

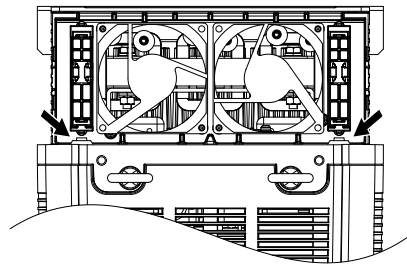


Figure 7.7 Relay Connector Placement

4. While pressing in on the tabs on the left and right sides of the fan guard, guide the fan guard until it clicks back into place.

**Note:** The fan guard has a cutout on the front side for proper alignment.

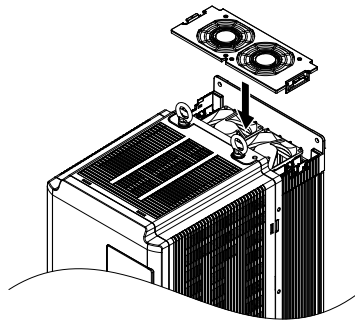


Figure 7.8 Reattach the Fan Guard

5. Turn on the power supply and set o4-03 to 0 to reset the Maintenance Monitor cooling fan operation time.

### ◆ Cooling Fan Replacement: 2□0154, 2□0192, 4□0156, and 4□0180

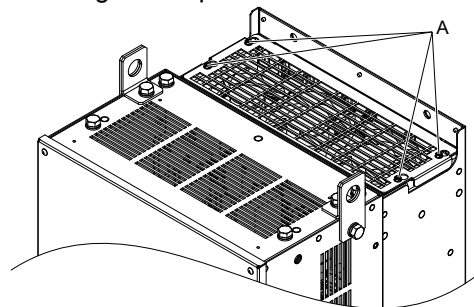
**WARNING!** *Electrical Shock Hazard. Do not connect or disconnect wiring while the power is on. Failure to comply can result in serious personal injury. Before servicing the drive, disconnect all power to the equipment. The capacitor for the control power supply remains charged even after the power supply is turned off. After shutting off the power, wait for at least the amount of time specified on the drive before touching any components.*

**CAUTION!** *Burn Hazard. Do not touch a hot drive heatsink. Failure to comply could result in minor or moderate injury. Shut off the power to the drive when replacing the cooling fan. To prevent burns, wait at least 15 minutes and ensure the heatsink has cooled down.*

**NOTICE:** *Prevent Equipment Damage. Follow cooling fan and circulation fan replacement instructions. Improper fan replacement could cause damage to equipment. Make sure the fan is facing upwards when installing the replacement fan into the drive. Replace all fans when performing maintenance to help ensure maximum useful product life.*

### ■ Removing the Fan Guard and Cooling Fan

1. Loosen the four screws that hold the fan guard in place.



A –Screw locations

Figure 7.9 Loosen the Screws

2. Slide the fan guard toward the front of the drive to remove it from the drive.

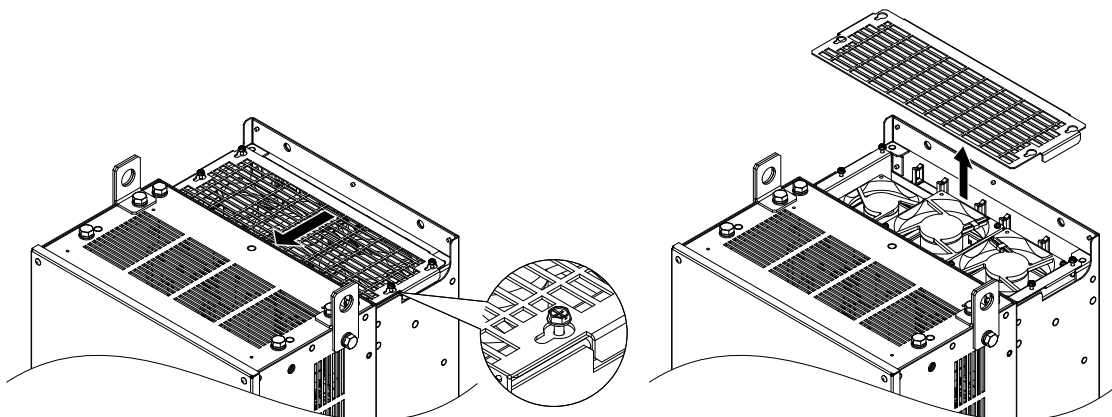
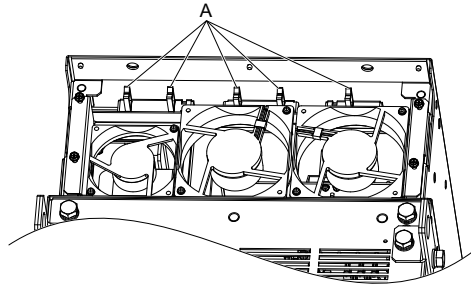


Figure 7.10 Remove the Fan Guard

## 7.4 Drive Cooling Fans

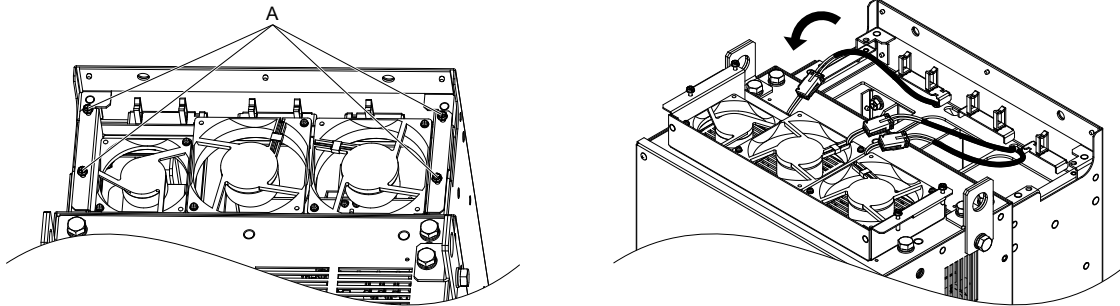
3. Release the cables from the hooks in five locations.



A –Hook locations

Figure 7.11 Release the Cables

4. Loosen the four screws affixing the cooling fan unit.



A –Screw locations

Figure 7.12 Remove the Cooling Fan Unit

5. Disconnect the three pluggable connectors and remove the fan unit from the drive.

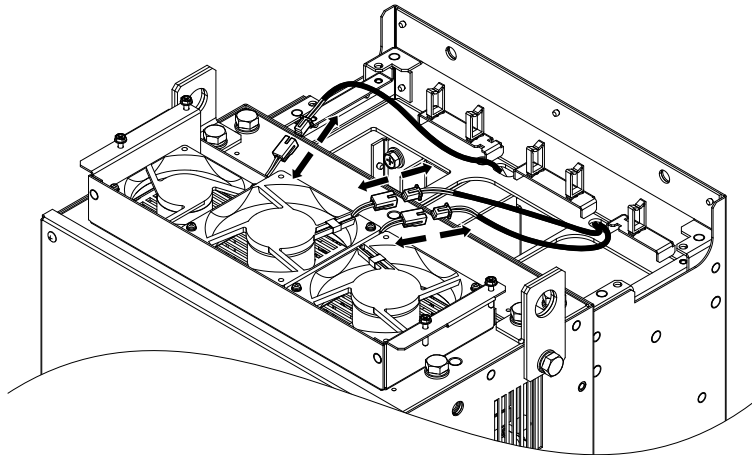


Figure 7.13 Unplug the Relay Connectors

### ■ Installing the Cooling Fan Unit

1. Connect the relay connectors for the fans in the replacement fan unit.

**Note:** Replace the whole unit when performing maintenance on the cooling fans.



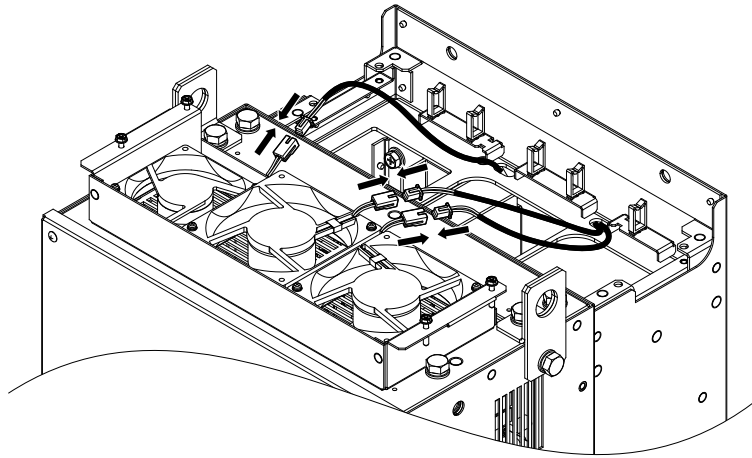


Figure 7.14 Plug the Relay Connectors

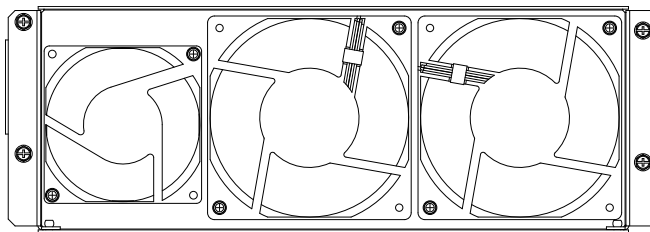
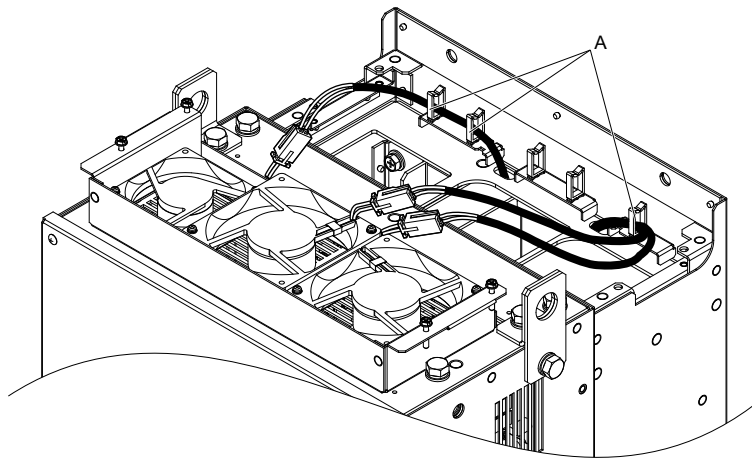


Figure 7.15 Cooling Fan Unit

2. Guide the fan cables through the provided hooks to hold the cables in place.

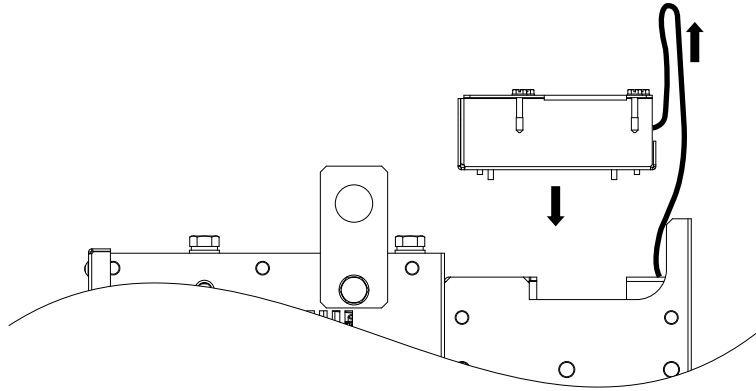


A –Fan relay cable hook locations

Figure 7.16 Position the Fan Cables

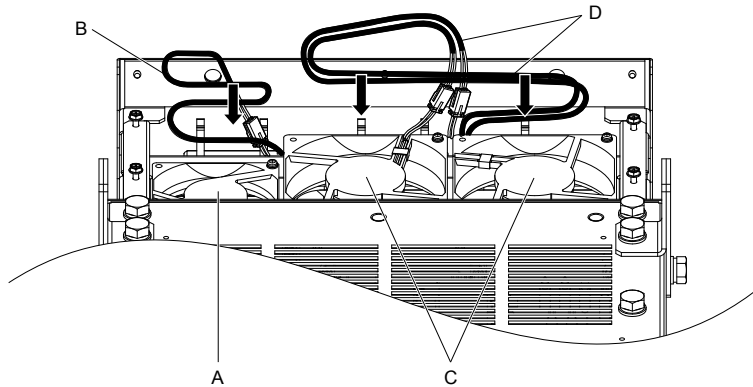
3. Install the cooling fan unit while pulling the cables upward.

**Note:** Do not pinch the fan cable between parts when reassembling the fan unit.



**Figure 7.17 Install the Cooling Fan Unit**

4. Guide the cables through the second set of provided hooks to hold the cables in place.

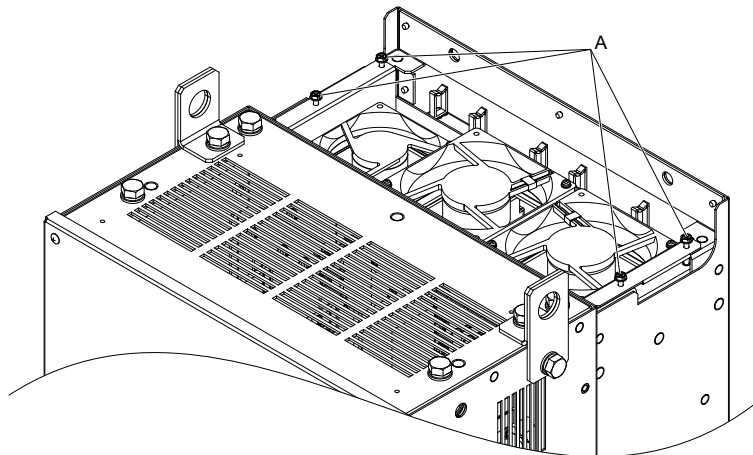


**A – Cooling fan A**  
**B – Cooling fan B**

**C – Bend three times**  
**D – Bend twice**

**Figure 7.18 Cooling Fan Wire Routing**

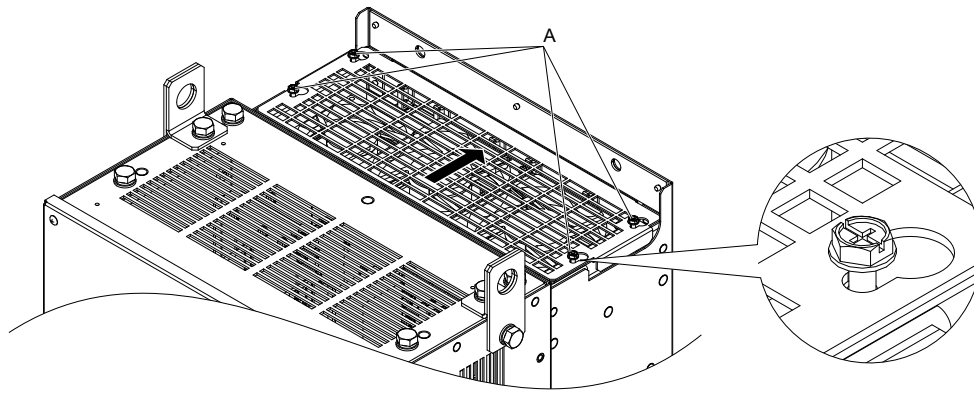
5. Thread the four fan unit screws into the proper holes approximately 2/3 of the way. Leave enough space to reinsert the fan guard.



**A –Screw locations**

**Figure 7.19 Insert Cooling Fan Screws**

6. Insert the fan guard and firmly tighten the screws so they do not come loose.



A –Screw locations

Figure 7.20 Reattach the Fan Guard

7. Turn on the power supply and set o4-03 to 0 to reset the Maintenance Monitor cooling fan operation time.

### ◆ Cooling Fan Replacement: 2□0248 and 4□0216 to 4□0414

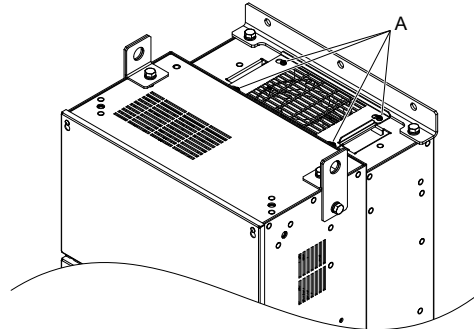
**WARNING!** *Electrical Shock Hazard. Do not connect or disconnect wiring while the power is on. Failure to comply can result in serious personal injury. Before servicing the drive, disconnect all power to the equipment. The capacitor for the control power supply remains charged even after the power supply is turned off. After shutting off the power, wait for at least the amount of time specified on the drive before touching any components.*

**CAUTION!** *Burn Hazard. Do not touch a hot drive heatsink. Failure to comply could result in minor or moderate injury. Shut off the power to the drive when replacing the cooling fan. To prevent burns, wait at least 15 minutes and ensure the heatsink has cooled down.*

**NOTICE:** *Prevent Equipment Damage. Follow cooling fan and circulation fan replacement instructions. Improper fan replacement could cause damage to equipment. Make sure the fan is facing upwards when installing the replacement fan into the drive. Replace all fans when performing maintenance to help ensure maximum useful product life.*

### ■ Removing the Fan Guard and Cooling Fan

1. Loosen the four screws that hold the fan guard in place.



A –Screw locations

Figure 7.21 Loosen the Screws

2. Slide the fan guard toward the right to remove it from the drive.

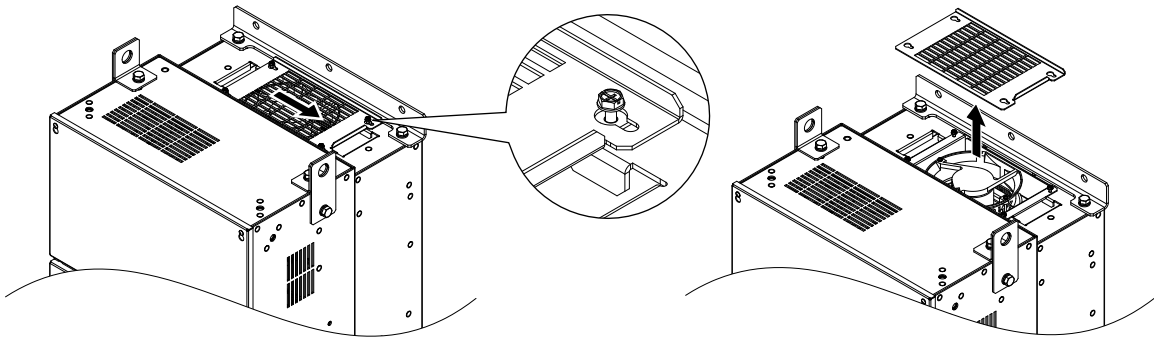
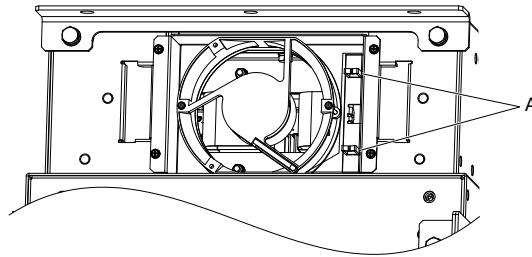


Figure 7.22 Remove the Fan Guard

3. Release the cable from the hooks.

**Note:** Models 4□0302 to 4□0414 have 4 hooks.



A –Hook locations

Figure 7.23 Release the Cable

4. Loosen the two screws affixing the cooling fan unit.

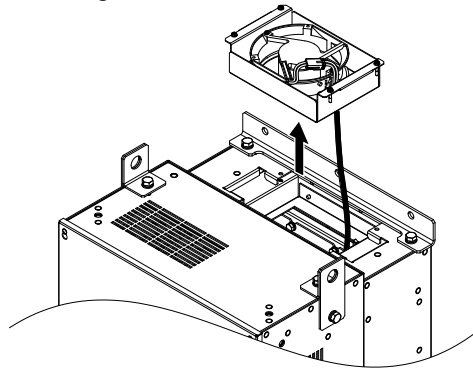


Figure 7.24 Remove the Cooling Fan Unit

5. Unplug the relay connector and release the fan from the drive.

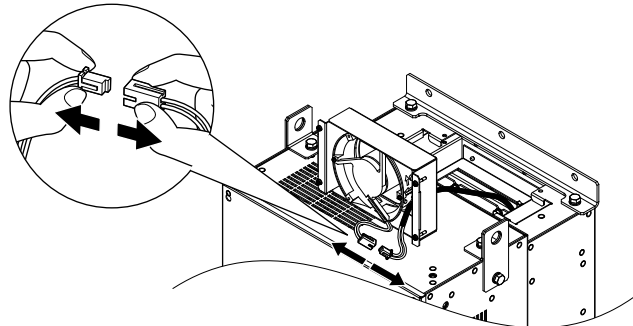


Figure 7.25 Unplug the Relay Connector

## ◆ Installing the Cooling Fan

1. Pass the cable through the opening of the replacement cooling fan unit from the back side, then plug the relay connector.

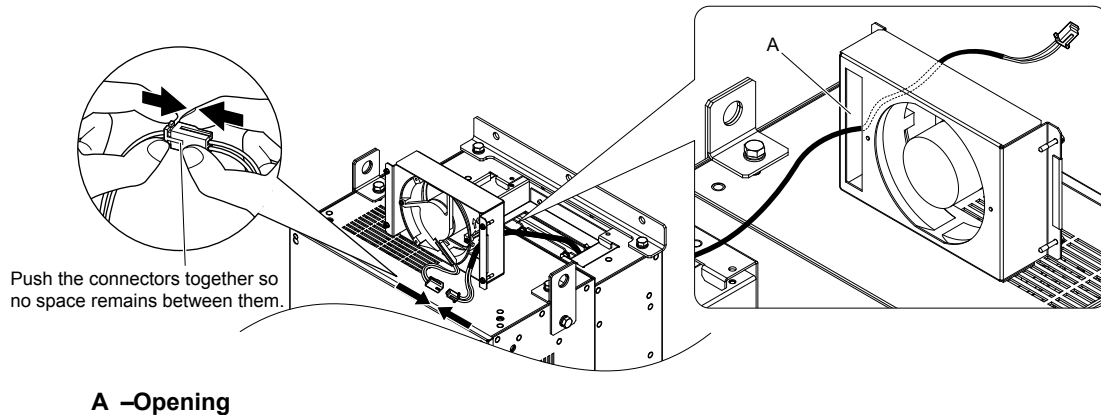


Figure 7.26 Attach the Relay Connector

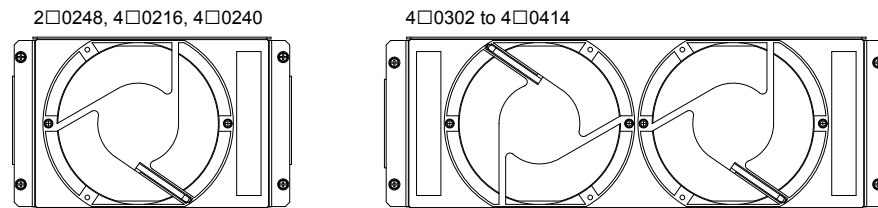


Figure 7.27 Cooling Fan Unit

2. Install the cooling fan unit and place the cable back into position.

- Note:**
1. Replace the whole unit when performing maintenance on the cooling fans.
  2. Install the cooling fan unit while pulling the cable upward so that the cable does not get pinched between parts.

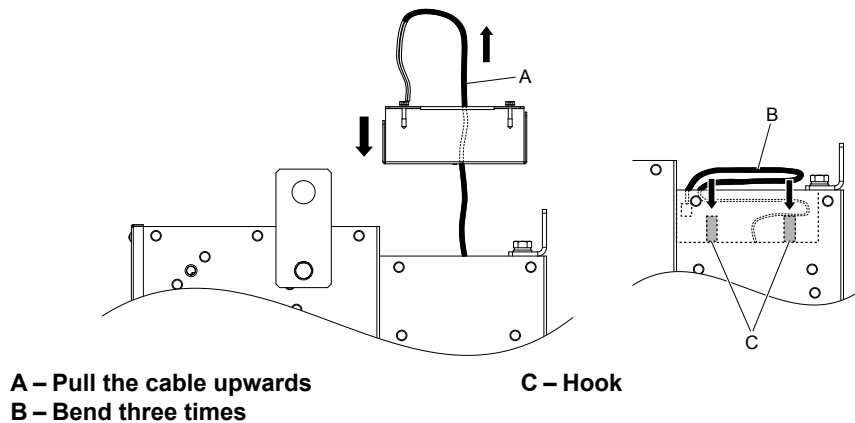
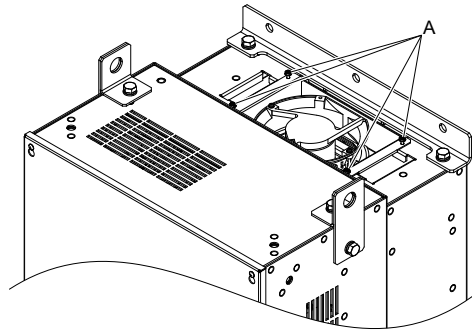


Figure 7.28 Install the Circulation Fan

3. Thread the four fan unit screws into the proper holes approximately 2/3 of the way. Leave enough space to reinsert the fan guard.



A –Screw locations

Figure 7.29 Attach the Cooling Fan Unit

4. Reattach the fan guard and then tighten the screws firmly so that the screws do not come loose.

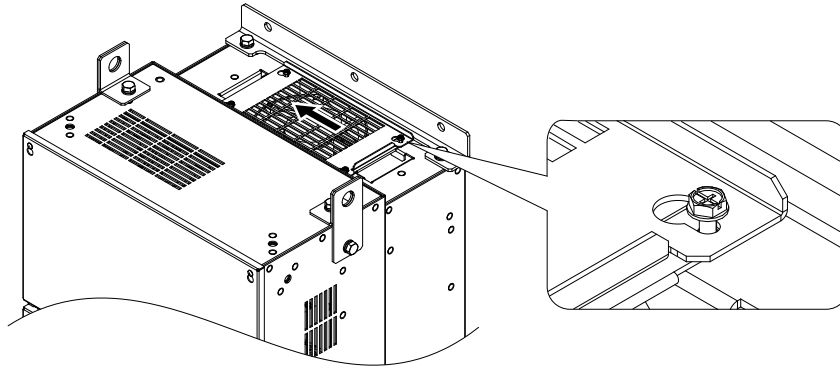
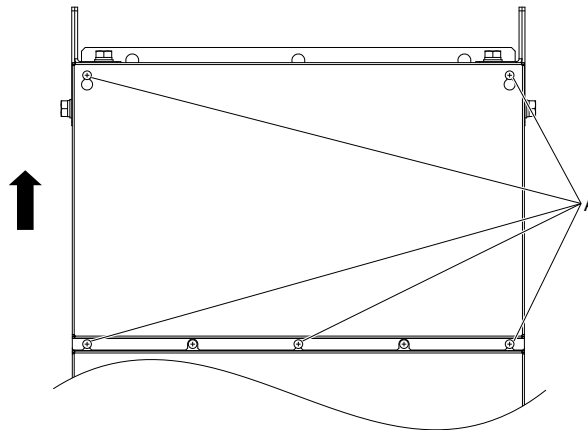


Figure 7.30 Reattach the Fan Cover

### ■ Removing the Circulation Fan

1. Loosen the five screws that hold the drive cover in place.

**CAUTION!** *Crush Hazard. Do not completely remove the cover screws, just loosen them. If the cover screws are removed completely, the terminal cover may fall off causing an injury. Take special care when removing/reattaching the terminal covers for larger drives.*



A –Screw locations

Figure 7.31 Remove the Drive Cover

2. Unlock the two cable hooks.

**Note:** The circulation fan unit on models 4□0302 to 4□0414 is located on the right side of the drive.

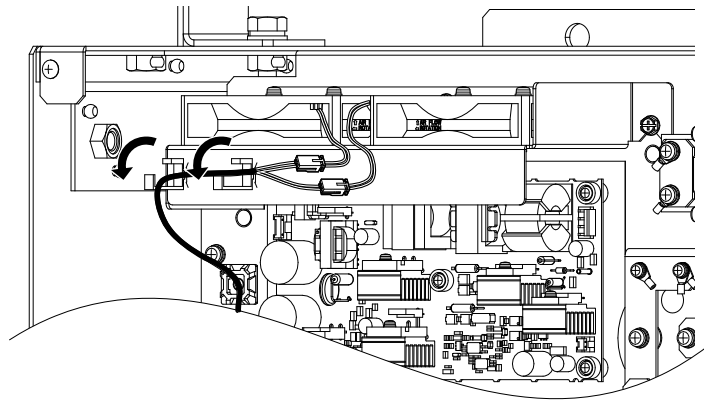


Figure 7.32 Unlock the Cable Hooks

3. Unplug the relay connectors and release the cable from the hooks.

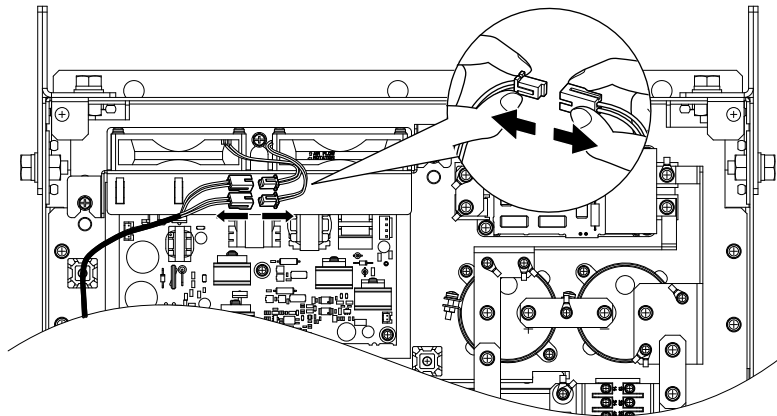
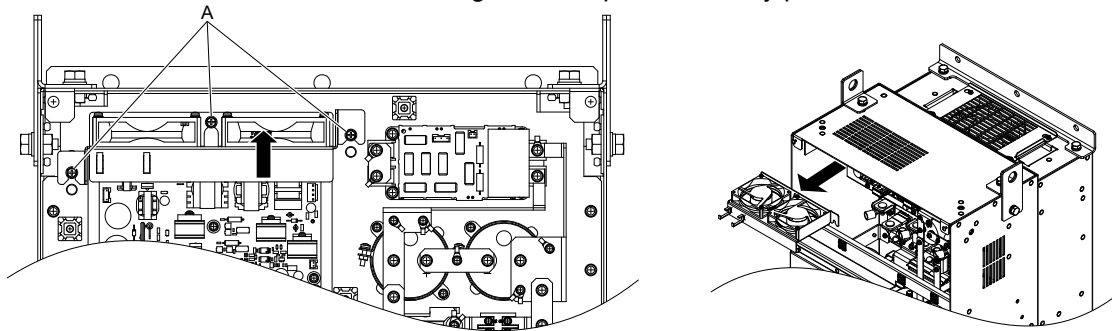


Figure 7.33 Unplug the Relay Connector

4. Loosen the three screws, then slide the cooling fan unit up and carefully pull it out.



A –Screw locations

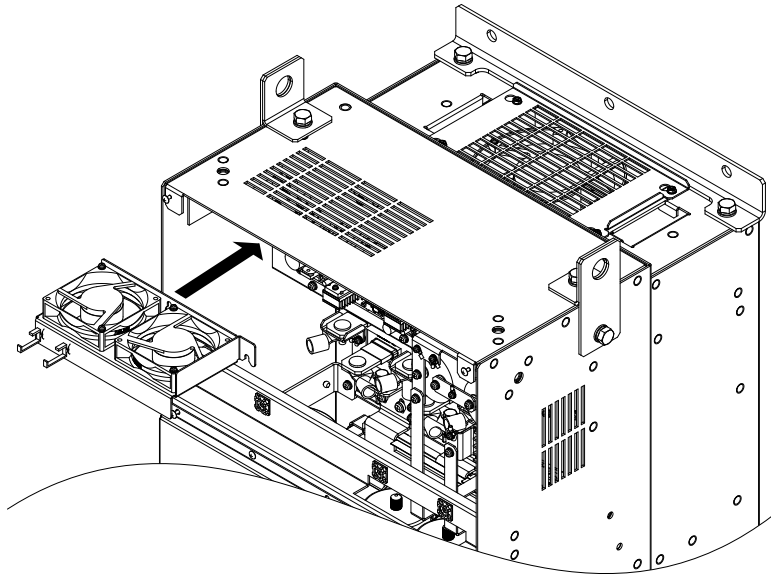
Figure 7.34 Remove the Circulation Fan

## ■ Installing the Circulation Fan

**CAUTION!** *Crush Hazard. Do not completely remove the cover screws, just loosen them. If the cover screws are removed completely, the terminal cover may fall off causing an injury. Take special care when removing/reattaching the terminal covers for larger drives.*

1. Reverse the procedure described above to install the replacement cooling fan unit.

- Note:**
1. Replace the whole unit when performing maintenance on the cooling fans.
  2. Place the cables back into the hooks to secure.
  3. Do not pinch the fan cable between parts when reassembling the fan unit.
  4. Tighten the screws firmly so they do not come loose.



**Figure 7.35** Installing the Circulation Fan

2. Turn on the power supply and set o4-03 to 0 to reset the Maintenance Monitor cooling fan operation time.



## 7.5 Drive Replacement

### ◆ Serviceable Parts

The drive contains some serviceable parts. The following parts can be replaced over the life span of the drive:

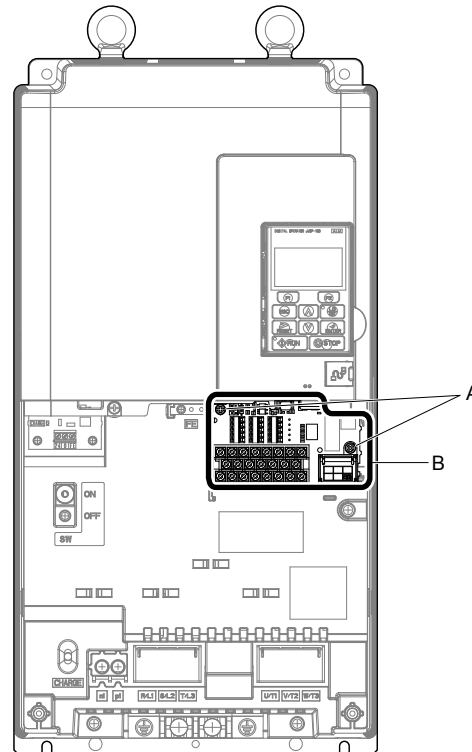
- Terminal board I/O PCBs
- Cooling fan(s)
- Front cover

Replace the drive if the main power circuitry is damaged. Contact your local Yaskawa representative before replacing parts if the drive is still under warranty. Yaskawa reserves the right to replace or repair the drive according to Yaskawa warranty policy.

### ◆ Terminal Board

The drive has a modular I/O terminal block that facilitates quick drive replacement. The terminal board contains on-board memory that stores all drive parameter settings and allows the parameters to be saved and transferred to the replacement drive. To transfer the terminal board, disconnect the terminal board from the damaged drive and reconnect it to the replacement drive. There is no need to manually reprogram the replacement drive after transferring the terminal board.

**Note:** If the damaged drive and the new replacement drive have different capacities, the data stored in the terminal board cannot be transferred to the new drive and an oPE01 error will appear on the display. The terminal board can still be used, but parameter setting from the old drive cannot be transferred. The replacement drive must be initialized and manually programmed.



A – Terminal board locking screws

B – Removable terminal board

Figure 7.36 Terminal Board

### ◆ Replacing the Drive

**WARNING! Electrical Shock Hazard.** Do not connect or disconnect wiring while the power is on. Failure to comply can result in serious personal injury. Before servicing the drive, disconnect all power to the equipment. The capacitor for the control power supply remains charged even after the power supply is turned off. After shutting off the power, wait for at least the amount of time specified on the drive before touching any components.

**WARNING! Electrical Shock Hazard.** Do not allow unqualified personnel to perform work on the drive. Failure to comply could result in serious injury. Installation, maintenance, inspection, and service must be performed only by authorized personnel familiar installation, adjustment, and maintenance of drives.

## 7.5 Drive Replacement

**NOTICE:** Observe proper electrostatic discharge procedures (ESD) when handling the drive and circuit boards. Failure to comply may result in ESD damage to the drive circuitry.

The following procedure explains how to replace a drive.

This section provides instructions for drive replacement only.

To install option boards or other types of options, refer to the specific manuals for those options.

**NOTICE:** When transferring a braking transistor, braking resistor, or other type of option from a damaged drive to a new replacement drive, make sure it is working properly before reconnecting it to the new drive. Replace broken options to prevent immediate breakdown of the replacement drive.

1. Remove the terminal cover.

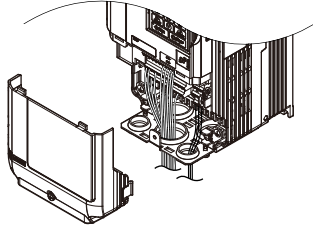


Figure 7.37 Remove the Terminal Cover

2. Loosen the screws holding the terminal board in place. Remove the screw securing the bottom cover and remove the bottom cover from the drive.

**Note:** IP00/Open Type enclosure drives do not have a bottom cover.

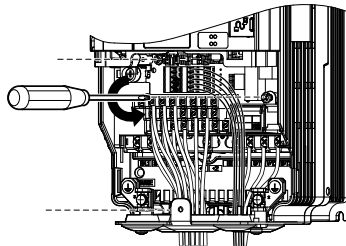


Figure 7.38 Unscrew the Terminal Board

3. Slide the terminal board as illustrated by the arrows in [Figure 7.39](#) to remove it from the drive along with the bottom cover.

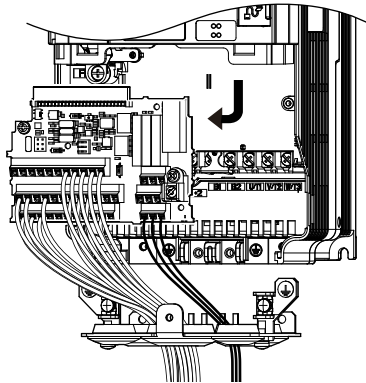


Figure 7.39 Remove the Terminal Board

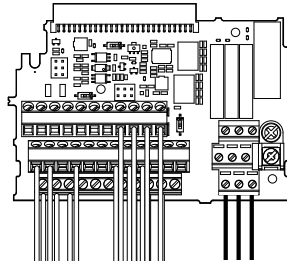


Figure 7.40 Disconnected Removable Terminal Board

4. Disconnect all option cards and options, making sure they are intact before reusing.
5. Replace the drive and wire the main circuit.

### ■ Installing the Drive

1. After wiring the main circuit, connect the terminal block to the drive as shown in [Figure 7.41](#). Use the installation screw (M3: 0.49 - 0.73 N·m) to fasten the terminal block into place.

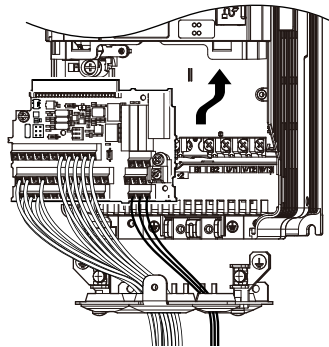


Figure 7.41 Install the Terminal Board

2. Reconnect options for the new drive the same way the options were connected in the old drive. Connect option boards to the same option ports in the new drive that were used in the old drive.
3. Replace the terminal cover.
4. After powering on the drive, all parameter settings are transferred from the terminal board to the drive memory. If an oPE04 error occurs, load the parameter settings saved on the terminal board to the new drive by setting parameter A1-03 to 5550. Reset the Maintenance Monitor function timers by setting parameters o4-01 through o4-12 to 0, and parameter o4-13 to 1.

- Note:**
1. When replacing a previous generation product with U1000, do not use the previous generation terminal board.
  2. Set the correct value in o2-04. [Refer to Defaults by Drive Model and Duty Rating ND/HD on page 536](#) for details.
  3. Contact Yaskawa or a Yaskawa representative for instructions on replacing the terminal board. Improperly replacing the terminal board will result in drive malfunction.

**This Page Intentionally Blank**

# Peripheral Devices & Options

---

This chapter explains the installation of peripheral devices and options available for the drive.

<b>8.1</b>	<b>SECTION SAFETY.....</b>	<b>410</b>
<b>8.2</b>	<b>DRIVE OPTIONS AND PERIPHERAL DEVICES.....</b>	<b>412</b>
<b>8.3</b>	<b>CONNECTING PERIPHERAL DEVICES.....</b>	<b>414</b>
<b>8.4</b>	<b>OPTION INSTALLATION.....</b>	<b>415</b>
<b>8.5</b>	<b>INSTALLING PERIPHERAL DEVICES.....</b>	<b>425</b>

## 8.1 Section Safety

### DANGER

#### Electrical Shock Hazard

**Before servicing, disconnect all power to the equipment.**

The capacitor for the internal power supply remains charged even after the power supply is turned off. The charge indicator LED will extinguish when the control power supply voltage is below 50 Vdc. To prevent electric shock, wait for at least the time specified on the warning label, once all indicators are OFF, measure for unsafe voltages to confirm the drive is safe prior to servicing.

Failure to comply will result in death or serious injury.

### WARNING

#### Electrical Shock Hazard

**Do not operate equipment with covers removed.**

Failure to comply could result in death or serious injury.

The diagrams in this section may show drives without covers or safety shields to show details. Be sure to reinstall covers or shields before operating the drives and run the drives according to the instructions described in this manual.

**Do not remove covers or touch circuit boards while the power is on.**

Failure to comply could result in death or serious injury.

**Do not allow unqualified personnel to perform work on the drive.**

Failure to comply could result in death or serious injury.

Installation, maintenance, inspection, and service must be performed only by authorized personnel familiar installation, adjustment, and maintenance of drives.

**Do not perform work on the drive while wearing loose clothing, jewelry or without eye protection.**

Failure to comply could result in death or serious injury.

Remove all metal objects such as watches and rings, secure loose clothing and wear eye protection before beginning work on the drive.

**Always ground the motor-side grounding terminal.**

Improper equipment grounding could result in death or serious injury by contacting the motor case.

**Do not remove covers or touch circuit boards while the power is on.**

Failure to comply could result in death or serious injury.

**Do not use damaged wires, place excessive stress on wiring, or damage the wire insulation.**

Failure to comply could result in death or serious injury.

#### Fire Hazard

**Tighten all terminal screws to the specified tightening torque.**

Loose electrical connections could result in death or serious injury by fire due to overheating of electrical connections.

**NOTICE**

**Observe proper electrostatic discharge procedures (ESD) when handling the drive and circuit boards.**

Failure to comply may result in ESD damage to the drive circuitry.

**Never connect or disconnect the motor from the drive while the drive is outputting voltage.**

Improper equipment sequencing could result in damage to the drive.

**If a fuse is blown or a Ground Fault Circuit Interrupter (GFCI) is tripped, check the wiring and the selection of the peripheral devices.**

Contact your supplier if the cause cannot be identified after checking the above.

**Do not restart the drive or immediately operate the peripheral devices if a fuse is blown or a GFCI is tripped.**

Check the wiring and the selection of peripheral devices to identify the cause. Contact your supplier before restarting the drive or the peripheral devices if the cause cannot be identified.

**Do not operate damaged equipment.**

Failure to comply could result in further damage to the equipment.

Do not connect or operate any equipment with visible damage or missing parts.

**Do not use unshielded wire for control wiring.**

Failure to comply may cause electrical interference resulting in poor system performance. Use shielded twisted-pair wires and ground the shield to the ground terminal of the drive.

**Properly connect all pins and connectors.**

Failure to comply may prevent proper operation and possibly damage equipment.

**Check all the wiring to ensure that all connections are correct after installing the option and connecting any other devices.**

Failure to comply could result in damage to the option.

## 8.2 Drive Options and Peripheral Devices

**Table 8.1** lists the names of the various peripheral devices, accessories, and options available for Yaskawa drives. Contact Yaskawa or your Yaskawa agent to order these peripheral devices.

- **Peripheral Device Selection:** Refer to the Yaskawa catalog for selection and part numbers.
- **Peripheral Device Installation:** Refer to the corresponding option manual for installation instructions.

**Table 8.1 Available Peripheral Devices**

Option	Model Number	Description
<b>Input/Output Option Cards</b>		
Analog Input	AI-A3	<ul style="list-style-type: none"> <li>• Allows high precision, high resolution analog reference input</li> <li>• Input channels: 3</li> <li>• Voltage input: -10 to 10 Vdc (20 k<math>\Omega</math>), 13-bit signed</li> <li>• Current input: 4 to 20 mA or 0 to 20 mA (250 <math>\Omega</math>), 12-bit</li> </ul>
Analog Monitor	AO-A3	<ul style="list-style-type: none"> <li>• Provides extra multi-function analog output terminals</li> <li>• Output channels: 2</li> <li>• Output voltage: -10 to 10 V, 11-bit (signed)</li> </ul>
Digital Input	DI-A3	<ul style="list-style-type: none"> <li>• Sets the frequency reference by digital inputs</li> <li>• Input channels: 18 (including SET signal and SIGN signal)</li> <li>• Input signal type: BCD 16-bit (4-digit), 12-bit (3-digit), 8-bit (2-digit)</li> <li>• Input signal: 24 Vdc, 8 mA</li> </ul>
Digital Output	DO-A3	<ul style="list-style-type: none"> <li>• Provides extra insulated multi-function digital outputs</li> <li>• Photocoupler relays: 6 (48 V, up to 50 mA)</li> <li>• Contact relays: 2 (250 Vac/up to 1 A, 30 Vdc/up to 1 A)</li> </ul>
<b>Motor Speed Feedback Option Cards</b>		
Motor PG Feedback Line Driver Interface	PG-X3	<ul style="list-style-type: none"> <li>• For speed feedback input by connecting a motor encoder</li> <li>• Input: 3-track (can be used with 1 or 2 tracks), line driver, 300 kHz max</li> <li>• Pulse monitor: Matches RS-422 level</li> <li>• Output: 3-track, line driver</li> <li>• Encoder power supply: 5 V or 12 V, max current 200 mA</li> </ul>
Motor PG Feedback Open Collector Interface	PG-B3	<ul style="list-style-type: none"> <li>• For speed feedback input by connecting a motor encoder</li> <li>• Input: 3-track (can be used with 1 or 2 tracks), HTL encoder connection, 50 kHz max</li> <li>• Output: 3-track, open collector</li> <li>• Encoder power supply: 12 V, max current 200 mA</li> </ul>
EnDat Encoder	PG-F3	<ul style="list-style-type: none"> <li>• For speed feedback input by connecting a motor encoder</li> <li>• Encoder type: EnDat 2.1/01, EnDat 2.2/01, and EnDat 2.2/22 (HEIDENHAIN), HIPERFACE (SICK-STEGMANN)</li> <li>• Maximum input frequency: 20 kHz</li> <li>• Pulse monitor: Matches RS-422 level</li> <li>• Output voltage: 5 V<math>\pm</math>5%, 8 V<math>\pm</math>10%</li> <li>• Maximum output current: 200 mA</li> <li>• Encoder power supply: 5 V, max current 330 mA or 8 V, max current 150 mA</li> <li>• Wiring length: 20 m max. for the encoder, 30 m max. for the pulse monitor</li> <li>• <b>Note:</b> The PG-F3 option can only be used in CLV/PM.</li> </ul>
Motor Feedback Resolver Interface	PG-RT3	<ul style="list-style-type: none"> <li>• For motor speed feedback by connecting a resolver that meets the specifications set by Yaskawa.</li> <li>• Input voltage: 10 Vac rms 10 kHz</li> <li>• Transformation ratio: 0.5 <math>\pm</math> 5%</li> <li>• Maximum input current: 100 mA rms</li> </ul>
<b>Communication Option Cards</b>		
EtherNet/IP	SI-EN3	Connects to an EtherNet/IP network.
Modbus TCP/IP	SI-EM3	Connects to a Modbus TCP/IP network.
PROFINET	SI-EP3	Connects to a PROFINET network.
LonWorks	SI-W3	Connects to a LonWorks network.
DeviceNet	SI-N3	Connects to a DeviceNet network



Option	Model Number	Description
PROFIBUS-DP	SI-P3	Connects to a PROFIBUS-DP network.
MECHATROLINK-II	SI-T3	Connects to a MECHATROLINK-II network.
MECHATROLINK-III	SI-ET3	Connects to a MECHATROLINK-III network.
BACnet	SI-B3	Connects to a BACnet network.
EtherCAT	SI-ES3	Connects to an EtherCAT network.
CC-Link </>	SI-C3	Connects to a CC-Link network.
CANopen </>	SI-S3	Connects to a CANopen network.
<b>Interface Options</b>		
LED Operator	JVOP-182	5-digit LED operator with Copy function
Remote Operator Cable	UWR000051, 1 m cable UWR000052, 2 m cable	RJ-45, 8-pin straight through, UTP CAT5e, extension cable (1 m or 2 m) to connect the digital operator for remote operation.
USB Copy Unit	JVOP-181	<ul style="list-style-type: none"> <li>• Allows the user to copy and verify parameter settings between drives.</li> <li>• Functions as an adapter to connect the drive to a USB port on a PC.</li> </ul>
<b>Mechanical Options</b>		
Attachment for External Heatsink	EZZ022706A-F	Installation kit for mounting the drive with the heatsink outside of the panel.
IP20/NEMA Type 1 Kit	EZZ022745A-F	Parts to make the drive conform to IP20/NEMA Type 1 enclosure requirements.
IP20/NEMA Type 1, 4, 12 Blank Keypad Kit	UUX0000526	Provides digital operator functionality on an enclosure designed for IP20/NEMA Type 1, 3R, 4, 4X, 12, or IP□6 environment. This keypad has a blank label on the front.
IP20/NEMA Type 1, 4, 12 Yaskawa Logo Keypad Kit	UUX0000527	Provides digital operator functionality on an enclosure designed for IP20/NEMA Type 1, 3R, 4, 4X, 12, or IP□6 environment. This keypad has a Yaskawa brand label on the front.
<b>PC Software Tools</b>		
DriveWizard Industrial	Contact Yaskawa	PC tool for drive setup and parameter management
DriveWorksEZ	Contact Yaskawa	PC tool for enhanced programming of the drive

<1> Limited support. Contact a Yaskawa representative or the nearest Yaskawa sales office for assistance.

## 8.3 Connecting Peripheral Devices

Figure 8.1 illustrates how to configure the drive and motor to operate with various peripheral devices. Refer to the specific manual for the devices shown below for more detailed installation instructions.

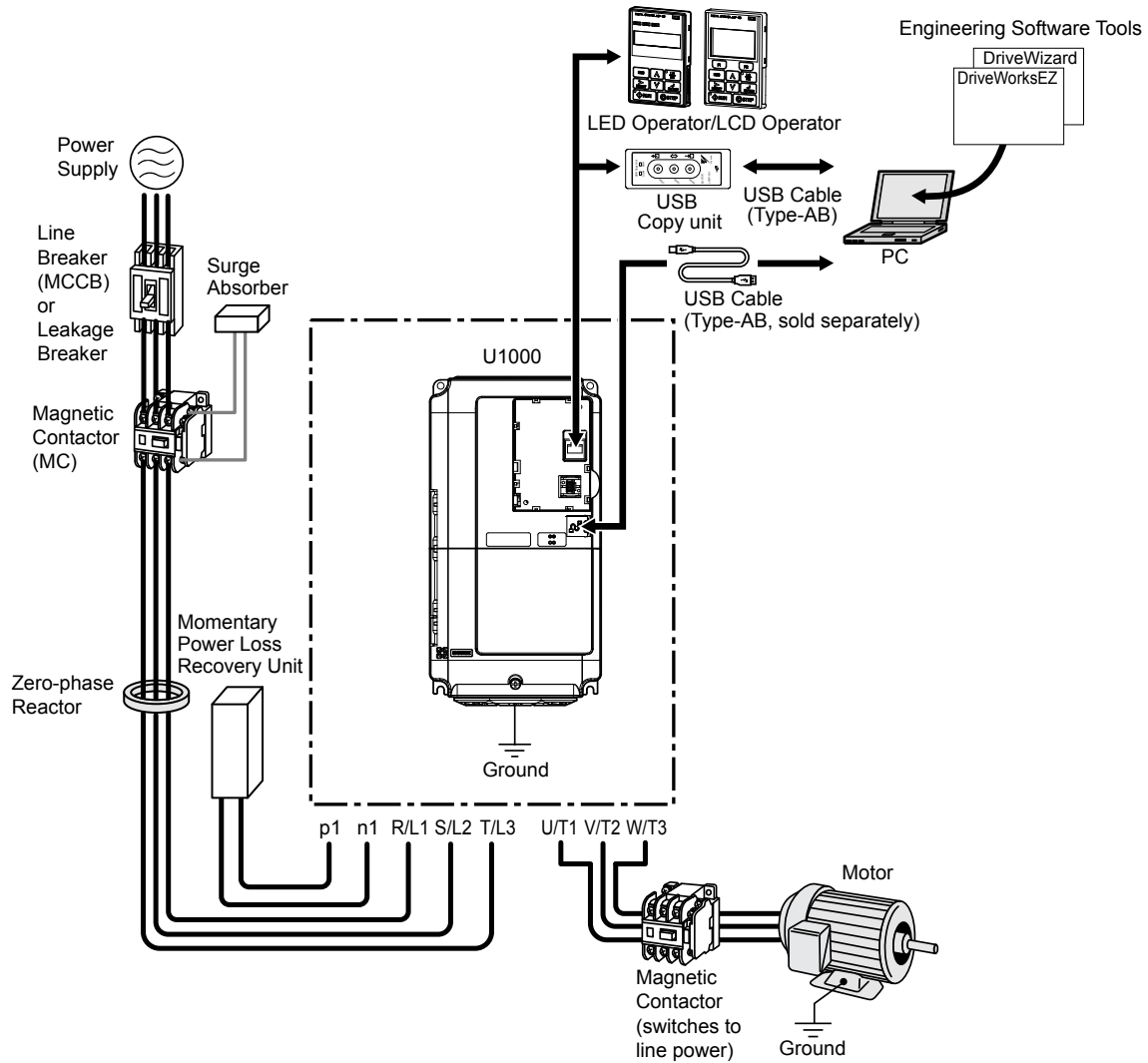


Figure 8.1 Connecting Peripheral Devices

**Note:** If the drive is set to trigger a fault output when the fault restart function is activated (L5-02 = 1), then a sequence to interrupt power when a fault occurs will turn off the power to the drive while the drive attempts to restart. The default setting for L5-02 is 0 (fault output active during restart).

## 8.4 Option Installation

This section provides instructions on installing the options in [Table 8.2](#).

### ◆ Prior to Installing the Option

Prior to installing the option, wire the drive, make necessary connections to the drive terminals, and verify that the drive functions normally without the option installed.

[Table 8.2](#) below lists the number of options that can be connected to the drive and the drive ports for connecting those options.

Table 8.2 Option Installation

Option	Port/Connector	Number of Options Possible
PG-B3, PG-X3	CN5-C	2 <1>
PG-F3 <2>, PG-RT3 <2>	CN5-C	1
AO-A3, DO-A3	CN5-A, B, C	1
SI-B3, SI-C3, SI-EN3, SI-EM3, SI-EP3, SI-ES3, SI-ET3, SI-N3, SI-P3, SI-S3, SI-T3, SI-W3, AI-A3, DI-A3	CN5-A	1

<1> When connecting two PG option cards, use both CN5-B and CN5-C. When connecting only one PG option card, use the CN5-C connector.

<2> Not available for the application with Motor 2 Selection.

[Figure 8.2](#) shows an exploded view of the drive with the option and related components for reference.

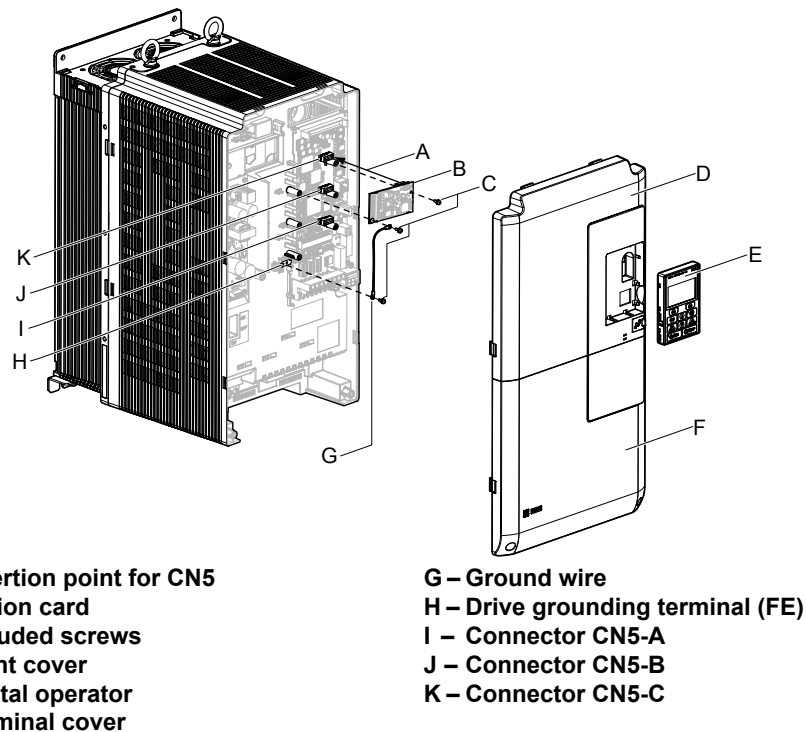


Figure 8.2 Drive Components with Option

### ◆ PG Option Installation Example

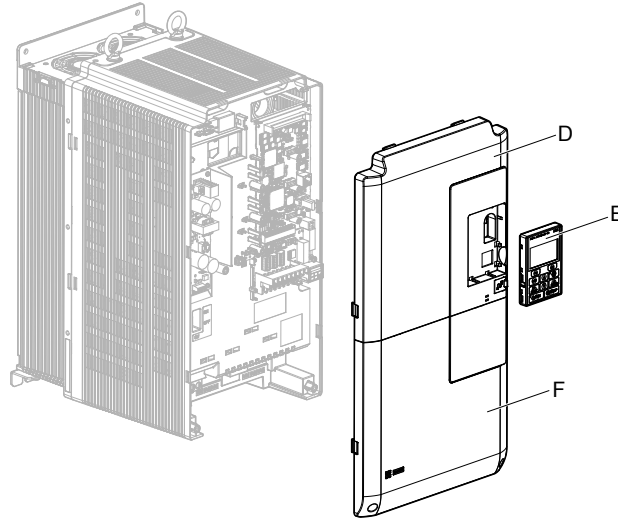
Remove the front covers of the drive before installing the option. PG options can be inserted into the CN5-B or CN5-C connectors located on the drive control board.

1. Shut off power to the drive, wait the appropriate amount of time for voltage to dissipate, then remove the digital operator (E) and front covers (D, F). Front cover removal varies by model.

**DANGER! Electrical Shock Hazard.** Do not connect or disconnect wiring while the power is on. Failure to comply will result in death or serious injury. Before installing the option, disconnect all power to the drive. The capacitor for the control power supply remains charged even after the power supply is turned off. The charge indicator LED will extinguish when the control power supply voltage is below 50 Vdc. To prevent electric shock, wait at least five minutes after all indicators are off and measure the control power supply voltage level to confirm safe level.

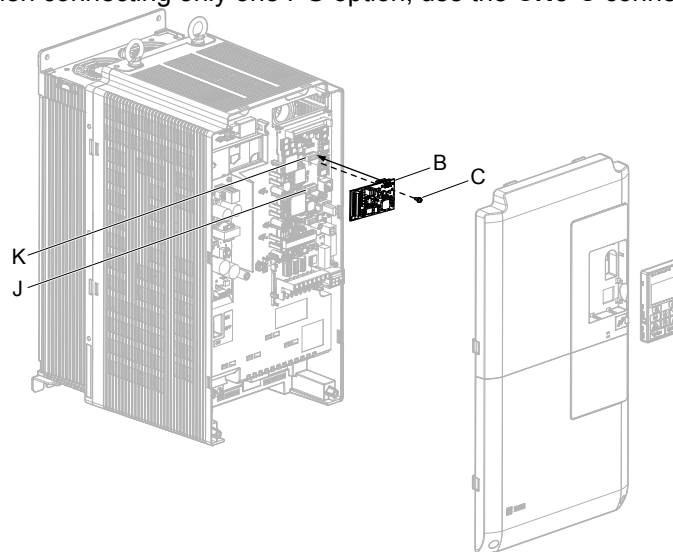
## 8.4 Option Installation

**NOTICE:** *Damage to Equipment.* Observe proper electrostatic discharge procedures (ESD) when handling the option, drive, and circuit boards. Failure to comply may result in ESD damage to circuitry.



**Figure 8.3 Remove the Front Covers and Digital Operator**

2. Insert the option (B) into the **CN5-B** or **CN5-C** connector (J, K) located on the drive and fasten it using one of the included screws (C). When connecting only one PG option, use the **CN5-C** connector.



**Figure 8.4 Insert the Option**

3. Connect the ground wire (G) to the ground terminal (H) using one of the remaining provided screws (C). Connect the other end of the ground wire (G) to the remaining ground terminal and installation hole on the option (B) using the last remaining provided screw (C) and tighten both screws to 0.5 to 0.6 N m or (4.4 to 5.3 in lbs).

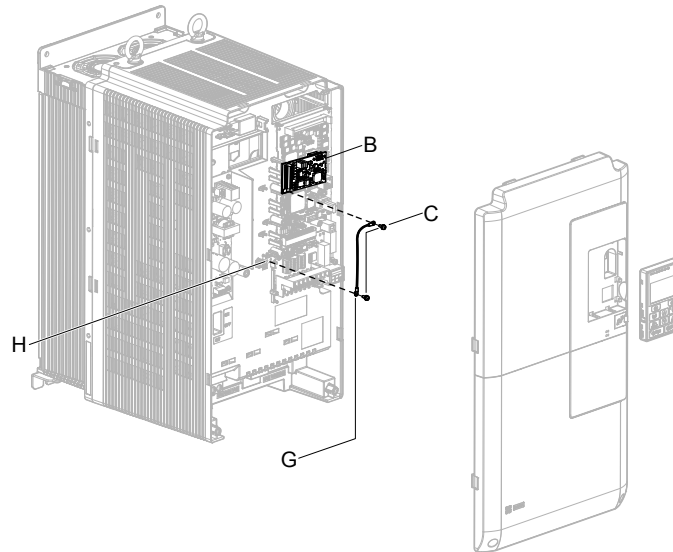


Figure 8.5 Connect the Ground Wire

- Note:**
1. The option package includes two ground wires. Use the longer wire when plugging the option into connector CN5-C on the drive side. Use the shorter wire when plugging the option into connector CN5-B. Refer to the Option Installation manual for more information.
  2. There are two screw holes on the drive for use as ground terminals (H). When connecting three options, two ground wires will need to share the same drive ground terminal.
4. Prepare and connect the wire ends as shown in [Figure 8.6](#) and [Figure 8.7](#). Refer to [Wire Gauges and Tightening Torques of PG-X3 Option on page 423](#) or [Refer to Wire Gauges and Tightening Torques of PG-X3 Option on page 423](#) to confirm that the proper tightening torque is applied to each terminal. Take particular precaution to ensure that each wire is properly connected and that wire insulation is not accidentally pinched into electrical terminals.

**WARNING! Fire Hazard.** Tighten all terminal screws according to the specified tightening torque. Loose electrical connections could result in death or serious injury by fire due to overheating electrical connections. Tightening screws beyond the specified tightening torque may result in erroneous operation, damage to the terminal block, or cause a fire.

**NOTICE:** Heat shrink tubing or electrical tape may be required to ensure that cable shielding does not contact other wiring. Insufficient insulation may cause a short circuit and damage the option or drive.

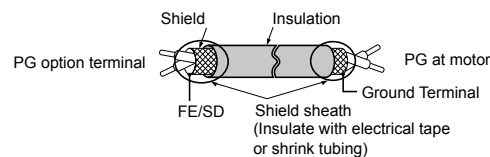


Figure 8.6 Preparing Ends of Shielded Cable

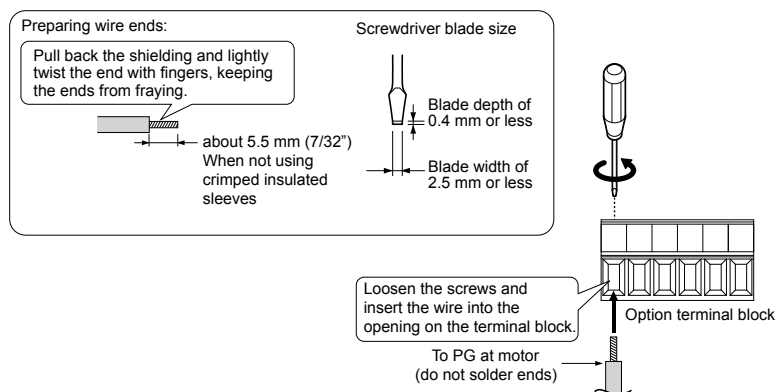


Figure 8.7 Preparing and Connecting Cable Wiring

## 8.4 Option Installation

5. Wire the motor PG encoder to the terminal block on the option. Refer to [Figure 8.8](#) and [Figure 8.12](#) for wiring instructions.

Refer to [PG-B3 Option Terminal Functions on page 419](#) for a detailed description of the option terminal functions.

### PG-B3 Parameter Settings

- Connecting a Single-Pulse Encoder in V/f with PG Control Mode: Connect the pulse output from the PG to the option and set F1-21 to 0.

- Connecting a Two-Pulse Encoder: Connect the A and B pulse outputs on the PG to the option and set F1-21 to 1.

When using a two-pulse encoder in CLV control mode, connect pulse outputs A and B from the encoder to the corresponding terminals on the option.

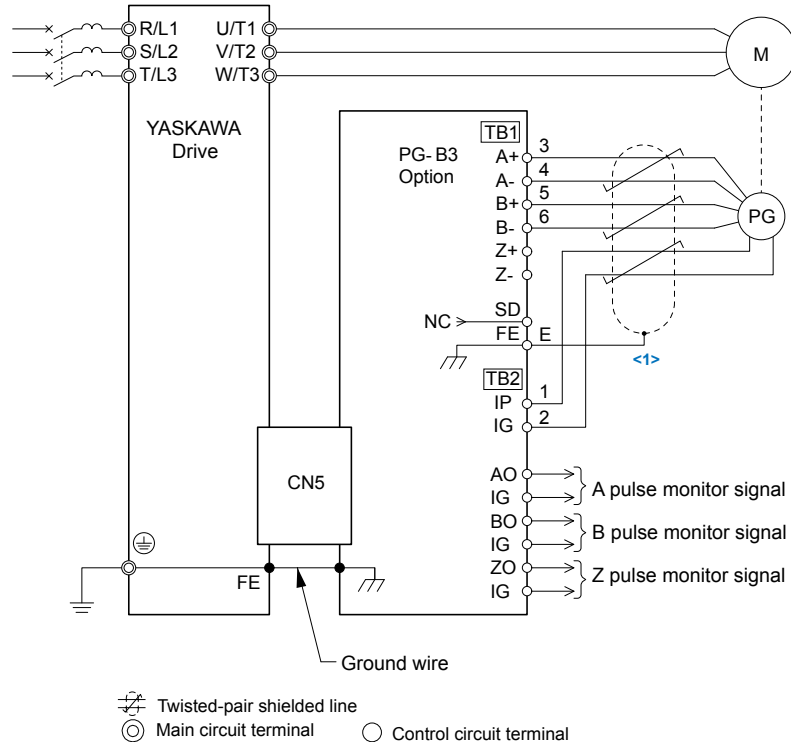
- Connecting a Two-Pulse Encoder with Z Marker Pulse: Connect the A, B, and Z pulse outputs to the corresponding terminals on the option.

Control Method	V/f with PG		Closed Loop Vector	
	No. of Encoders	1 (CN5-C)	2 (CN5-B)	1 (CN5-C)
Single Pulse (A)	F1-21 = 0	F1-37 = 0	N/A	N/A
Two Pulse (AB Quadrature)	F1-21 = 1	F1-37 = 1	No setting required	No setting required
Two Pulse with Marker (ABZ)	F1-21 = 1	F1-37 = 1	No setting required	No setting required

### PG-B3 Connection Diagram

Refer to [PG-B3 Option Terminal Functions on page 419](#) for a detailed description of the option board terminal functions.

Refer to [Wire Gauges and Tightening Torques of PG-B3 Option on page 420](#) for information on making cables.



**Figure 8.8 PG-B3 Option and Encoder Connection Diagram**

<1> Ground the shield on the PG side and the drive side. If electrical signal interference problems arise in the PG signal, remove the shield ground from one end of the signal line or remove the shield ground connection on both ends.

**Note:** The PG-B3 option reads a maximum input frequency of 50 kHz from the PG encoder. Select a PG encoder with an output pulse frequency of maximum 50 kHz when operating at maximum speed.

Take the following steps to prevent erroneous operation caused by noise interference:

- Use shielded wire for the PG encoder signal lines.
- Limit the length of all motor output power cables to less than 100 m. Limit the length of open-collector output lines to less than 50 m.

- Use separate conduit or cable tray dividers to separate option control wiring, main circuit input power wiring, and motor output power cables.

**PG-B3 Interface Circuit**  
Complementary Output

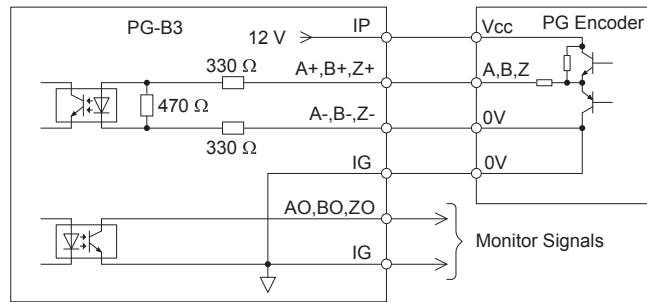


Figure 8.9 Complementary Outputs for the Interface Circuit

Open-Collector Outputs

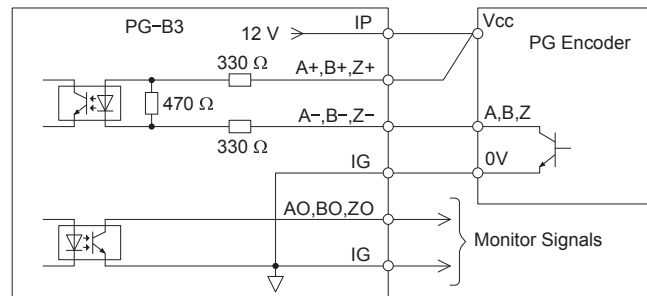


Figure 8.10 Open-Collector Outputs for the Interface Circuit

**PG-B3 Terminal Functions**

Table 8.3 PG-B3 Option Terminal Functions

Terminal Block	Terminal	Function	Description
	A+	A+ pulse signal input	<ul style="list-style-type: none"> <li>• Pulse signal inputs from the PG</li> <li>• Signal inputs from complementary and open-collector outputs</li> <li>• Signal level H level: 8 to 12 V L level: 2.0 V or less</li> </ul>
	A-	A- pulse signal input	
	B+	B+ pulse signal input	
	B-	B- pulse signal input	
	Z+	Z+ pulse signal input	
	Z-	Z- pulse signal input	
	SD	NC pin (open)	
	FE	Ground	Used for grounding shielded lines
	IP	PG power supply	<ul style="list-style-type: none"> <li>• Output voltage: 12.0 V ± 5%</li> <li>• Max output current: 200 mA &lt;1&gt;</li> </ul>
	IG	PG power supply common	
	AO	A pulse monitor signal	<ul style="list-style-type: none"> <li>• Outputs the monitor signal for the A, B, and Z pulses from the PG speed control card</li> <li>• For open collector outputs from the option</li> <li>• Max voltage: 24 V</li> <li>• Max current: 30 mA</li> </ul>
	BO	B pulse monitor signal	
	ZO	Z pulse monitor signal	
IG	Monitor signal common		

<1> A separate UL listed class 2 power supply is necessary when the PG requires more than 200 mA to operate.

**PG-B3 Wire Gauges and Tightening Torques**

Wire gauge and torque specifications are listed in [Table 8.4](#). For simpler and more reliable wiring, use crimp ferrules on the wire ends. Refer to the option manuals for the wire size and torque specifications of other options.

## 8.4 Option Installation

**Table 8.4 Wire Gauges and Tightening Torques of PG-B3 Option**

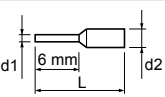
Terminal Signal	Screw Size	Tightening Torque N · m (in · lb)	Bare Cable		Crimp Terminals		Wire Type
			Recomm. Gauge mm <sup>2</sup>	Applicable Gauges mm <sup>2</sup>	Recomm. Gauge mm <sup>2</sup>	Applicable Gauges mm <sup>2</sup>	
A+, A-, B+, B-, Z+, Z-, FE, IP, IG	M2	0.22 to 0.25 (1.95 to 2.21)	0.75 (18 AWG)	Stranded wire: 0.25 to 1.0 (24 to 17 AWG) Solid wire: 0.25 to 1.5 (24 to 16 AWG)	0.5 (20 AWG)	0.25 to 0.5 (24 to 20 AWG)	Shielded twisted pair, etc.
AO, IG, BO, IG, ZO, IG							Shielded cable, etc.

### PG-B3 Crimp Terminals

Yaskawa recommends using CRIMPFOX 6 by Phoenix Contact or equivalent crimp terminals with the specifications listed in [Table 8.5](#) for wiring to ensure proper connections.

**Note:** Properly trim wire ends so loose wire ends do not extend from the crimp terminals.

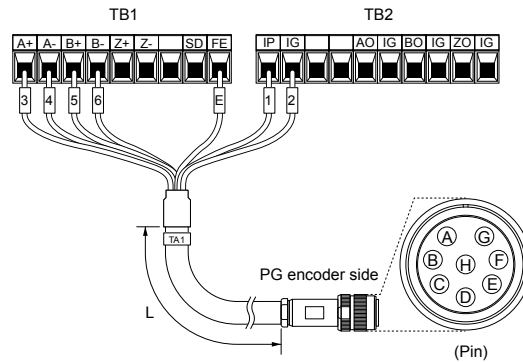
**Table 8.5 Crimp Terminal Sizes**

	Wire Gauge mm <sup>2</sup>	Phoenix Contact Model	L mm (in)	d1 mm (in)	d2 mm (in)
	0.25 (24 AWG)	AI 0.25 - 6YE	10.5 (13/32)	0.8 (1/32)	2 (5/64)
	0.34 (22 AWG)	AI 0.34 - 6TQ	10.5 (13/32)	0.8 (1/32)	2 (5/64)
	0.5 (20 AWG)	AI 0.5 - 6WH	14 (9/16)	1.1 (3/64)	2.5 (3/32)

### PG Encoder Cables for PG-B3 Option

Yaskawa recommends using a LMA-□□B-S185Y (complementary output) for cables running between the option and the PG as shown in [Figure 8.11](#).

*Refer to PG-B3 Option Terminal Functions on page 419* for instructions on wiring the terminal block.



**Figure 8.11 Wiring the PG Encoder Cable**

**Table 8.6 Connecting the PG Encoder Cable Specification**

Option Terminal	PG Encoder Cable		
	Wire	Color	Pin
IP	1	Blue	C
IG	2	White	H
A+	3	Yellow	B
A-	4	White	G
B+	5	Green	A
B-	6	White	F
FE	E	N/A (shield)	D



Table 8.7 PG Encoder Cable Types

Length	Type	Length	Type
10 m (32 ft.)	W5010	50 m (164 ft.)	W5050
30 m (98 ft.)	W5030	100 m (328 ft.)	W5100

**PG-X3 Parameter Settings**

- Connecting a Single-Pulse Encoder in V/f with PG Control Mode: Connect the pulse output from the PG to the option and set F1-21 to 0.
- Connecting a Two-Pulse Encoder: Connect the A and B pulse outputs on the PG to the option and set F1-21 to 1.  
When using a two-pulse encoder in CLV control mode, connect pulse outputs A and B from the encoder to the corresponding terminals on the option.
- Connecting a Two-Pulse Encoder with Z Marker Pulse: Connect the A, B, and Z pulse outputs to the corresponding terminals on the option.

Control Method	V/f with PG		Closed Loop Vector	
No. of Encoders	1 (CN5-C)	2 (CN5-B)	1 (CN5-C)	2 (CN5-B)
Single Pulse (A)	F1-21 = 0	F1-37 = 0	N/A	N/A
Two Pulse (AB Quadrature)	F1-21 = 1	F1-37 = 1	No setting required	No setting required
Two Pulse with Marker (ABZ)	F1-21 = 1	F1-37 = 1	No setting required	No setting required

**PG-X3 Connection Diagram**

Refer to *PG-X3 Option Terminal Functions* on page 422 for a detailed description of the option board terminal functions.

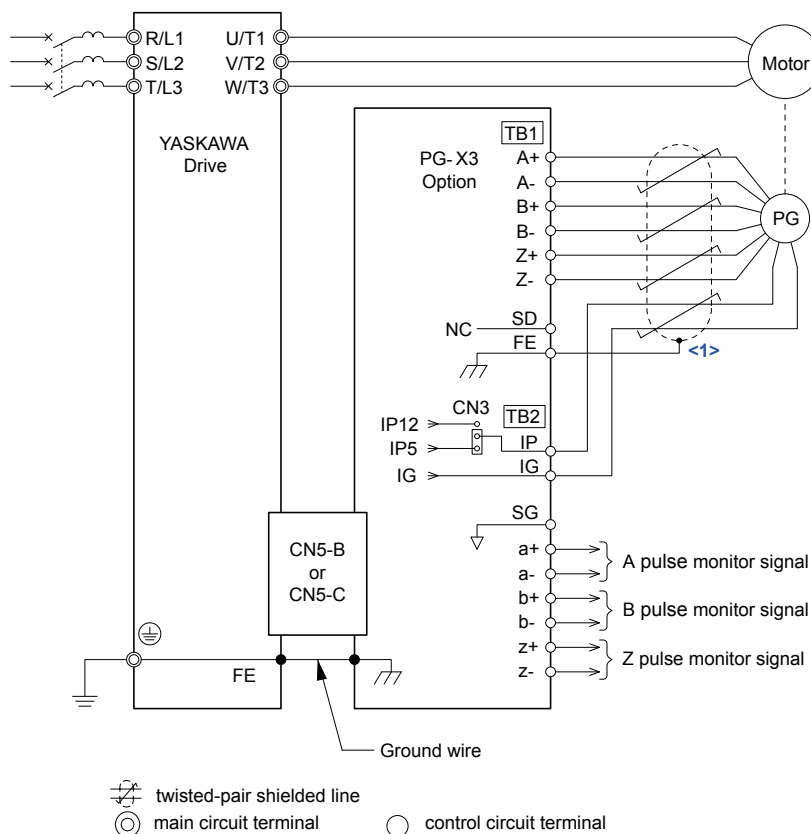


Figure 8.12 PG-X3 Option and Encoder Connection Diagram

<1> Ground the shield on the PG side and the drive side. If electrical signal interference problems arise in the PG signal, remove the shield ground from one end of the signal line or remove the shield ground connection on both ends.

**Note:** The PG-X3 option reads a maximum input frequency of 300 kHz from the PG encoder. Select a PG encoder with an output pulse frequency of maximum 300 kHz when operating at maximum speed.

Take the following steps to prevent erroneous operation caused by noise interference:

## 8.4 Option Installation

- Use shielded wire for the PG encoder signal lines.
- Use separate conduit or cable tray dividers to separate option control wiring, main circuit input power wiring, and motor output power cables.

### PG-X3 Interface Circuit

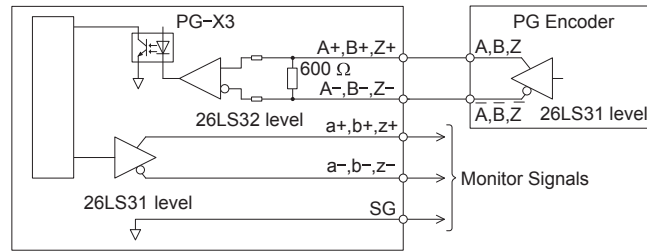


Figure 8.13 PG-X3 Interface Circuit

### PG-X3 Terminal Functions

Table 8.8 PG-X3 Option Terminal Functions

Terminal Block	Terminal	Function	Description
	A+	A pulse signal input	<ul style="list-style-type: none"> <li>• Inputs for the A channel, B channel, and Z pulses from the PG encoder</li> <li>• Signal level matches RS-422</li> </ul>
	A-	A inverse pulse signal input	
	B+	B pulse signal input	
	B-	B inverse pulse signal input	
	Z+	Z pulse signal input	
	Z-	Z inverse pulse signal input	
	SD	NC pin (open)	Open connection port for use when cable shields should not be grounded
FE	Ground	Used as the shield ground termination point.	
	IP	PG encoder power supply	<ul style="list-style-type: none"> <li>• Output voltage: 12.0 V <math>\pm</math> 5% or 5.5 V <math>\pm</math> 5%</li> <li>• Max. output current: 200 mA &lt;1&gt;</li> </ul>
	IG	PG encoder power supply common	
	SG	Monitor signal common	<ul style="list-style-type: none"> <li>• Output signal for monitoring A channel, B channel, and Z pulses from the PG encoder</li> <li>• Signal level matches RS-422</li> </ul>
	a+	A pulse monitor signal	
	a-	A pulse inverse monitor signal	
	b+	B pulse monitor signal	
	b-	B pulse inverse monitor signal	
z+	Z pulse monitor signal		
z-	Z pulse inverse monitor signal		

<1> A separate UL listed class 2 power supply is necessary when the PG requires more than 200 mA to operate.

### PG Encoder Power Supply Voltage

For the PG-X3 option, set the voltage for the PG encoder power supply using jumper CN3 located on the option. Position the jumper as shown in [Table 8.9](#) to select the voltage level.

**NOTICE:** The positioning of jumper CN3 selects the PG encoder power supply voltage (5.5 V or 12 V). Select the voltage level for the PG encoder connected to the option and motor. If the wrong voltage is selected, the PG encoder may not operate properly or may become damaged as a result.

Table 8.9 Setting the PG Encoder Power Supply Voltage (IP) with Jumper CN3

Voltage Level	5.5 V $\pm$ 5% (default)	12.0 V $\pm$ 5%
Jumper CN3		

### PG-X3 Wire Gauges and Tightening Torques

Wire gauge and torque specifications are listed in [Table 8.10](#). For simpler and more reliable wiring, use crimp ferrules on the wire ends. Refer to the option manuals for the wire size and torque specifications of other options.

Table 8.10 Wire Gauges and Tightening Torques of PG-X3 Option

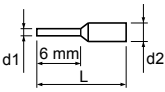
Terminal Signal	Screw Size	Tightening Torque N · m (in · lb)	Bare Cable		Crimp Terminals		Wire Type
			Recomm. Gauge mm <sup>2</sup>	Applicable Gauges mm <sup>2</sup>	Recomm. Gauge mm <sup>2</sup>	Applicable Gauges mm <sup>2</sup>	
A+, A-, B+, B-, Z+, Z-, SD, FE, IP, IG	M2	0.22 to 0.25 (1.95 to 2.21)	0.75 (18 AWG)	Stranded wire: 0.25 to 1.0 (24 to 17 AWG)	0.5 (20 AWG)	0.25 to 0.5 (24 to 20 AWG)	Shielded twisted pair, etc.
a+, a-, b+, b-, z+, z-, SG				Solid wire: 0.25 to 1.5 (24 to 16 AWG)			Shielded cable, etc.

### PG-X3 Crimp Terminals

Yaskawa recommends using CRIMPFOX 6 by Phoenix Contact or equivalent crimp terminals with the specifications listed in [Table 8.11](#) for wiring to ensure proper connections.

**Note:** Properly trim wire ends so loose wire ends do not extend from the crimp terminals.

Table 8.11 Crimp Terminal Sizes

	Wire Gauge mm <sup>2</sup>	Phoenix Contact Model	L mm (in)	d1 mm (in)	d2 mm (in)
	0.25 (24 AWG)	AI 0.25 - 6YE	10.5 (13/32)	0.8 (1/32)	2 (5/64)
	0.34 (22 AWG)	AI 0.34 - 6TQ	10.5 (13/32)	0.8 (1/32)	2 (5/64)
	0.5 (20 AWG)	AI 0.5 - 6WH	14 (9/16)	1.1 (3/64)	2.5 (3/32)

### Replacing the Drive Covers and Digital Operator and Checking for Proper Motor Rotation

1. Route the communication wiring inside the enclosure as shown in [Figure 8.14](#).

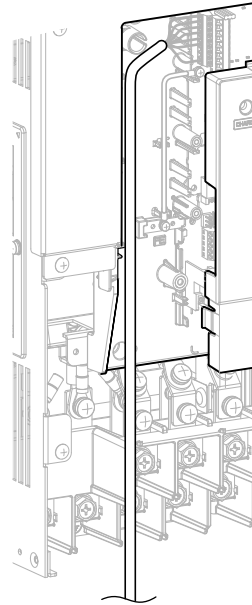
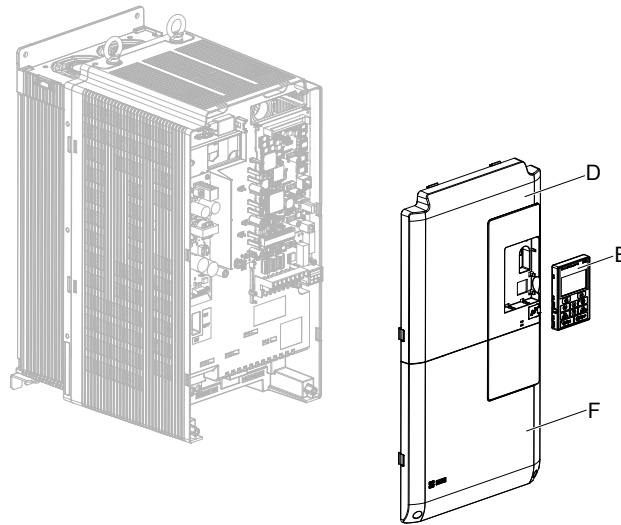


Figure 8.14 Wire Routing Examples

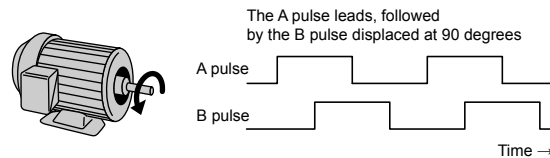
2. Replace and secure the front covers of the drive (D, F) and replace the digital operator (E).



**Figure 8.15** Replace the Front Covers and Digital Operator

**Note:** Take proper precautions when wiring the option so that the front covers will easily fit back onto the drive. Make sure no cables are pinched between the front covers and the drive when replacing the covers.

- Set drive parameters for proper motor rotation. (Refer to [A1: Initialization on page 444](#) and [Refer to F1: PG Speed Control Card Settings \(PG-B3, PG-X3, PG-RT3, PG-F3\) on page 473](#) for details on parameter settings) With a two-pulse or three-pulse PG encoder, the leading pulse determines the motor rotation direction. When a Yaskawa induction motor rotates forward (counter-clockwise when viewing rotation from motor load side), the PG signal will have a leading A pulse, followed by a B pulse displaced at 90 degrees.

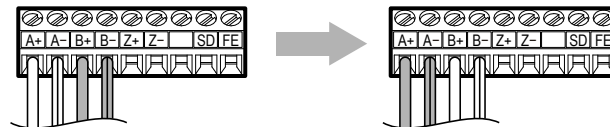


**Figure 8.16** Displacement of A and B Pulses

After connecting the PG encoder outputs to the option, apply power to the drive and manually rotate the motor and check the rotation direction by viewing monitor U1-05 on the digital operator.

Reverse motor rotation is indicated by a negative value for U1-05; forward motor rotation is indicated by a positive value.

If monitor U1-05 indicates that the forward direction is opposite of what is intended, set F1-05 or F1-32 to 1 or reverse the two A pulse wires with the two B pulse wires on option terminal TB1 as shown in [Figure 8.17](#).



**Figure 8.17** A Channel and B Channel Wire Switching

Please note that when the drive is initialized using A1-03 = 1110, 2220, 3330, the value for F1-05/F1-32 will reset to factory default and the parameter will need to be readjusted to switch the direction. When F1-05/F1-32 are saved as User Parameters (o2-03 = 1) and the User Parameter settings are initialized by setting A1-03 = 1110, the values for F1-05/F1-32 will not be reset.

## 8.5 Installing Peripheral Devices

This section describes the proper steps and precautions to take when installing or connecting various peripheral devices to the drive.

**NOTICE:** Use a class 2 power supply when connecting to the control terminals. Improper application of peripheral devices could result in drive performance degradation due to improper power supply. Refer to NEC Article 725 Class 1, Class 2, and Class 3 Remote-Control, Signaling, and Power Limited Circuits for requirements concerning class 2 power supplies.

### ◆ Installing a Molded Case Circuit Breaker (MCCB) or Ground Fault Circuit Interrupter (GFCI)

Install an MCCB or GFCI for line protection between the power supply and the main circuit power supply input terminals R/L1, S/L2, and T/L3. This protects the main circuit and devices wired to the main circuit while also providing overload protection.

Consider the following when selecting and installing an MCCB or GFCI:

- The capacity of the MCCB or GFCI should be 1.5 to 2 times the rated output current of the drive. Use an MCCB or GFCI to keep the drive from faulting out instead of using overheat protection (150% for one minute at the rated output current).
- If several drives are connected to one MCCB or GFCI that is shared with other equipment, use a sequence that shuts the power OFF when errors are output by using magnetic contactor (MC) as shown in [Figure 8.18](#).

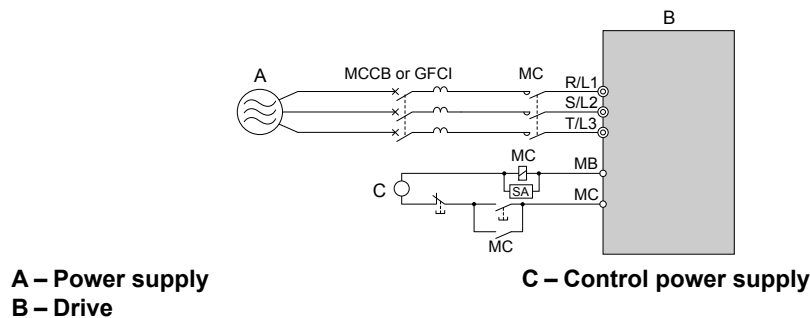


Figure 8.18 Power Supply Interrupt Wiring (Example)

**WARNING!** Electrical Shock Hazard. Disconnect the MCCB (or GFCI) and MC before wiring terminals. Failure to comply may result in serious injury or death.

### ■ Application Precautions when Installing a GFCI

Drive outputs generate high-frequency leakage current as a result of high-speed switching. Install a GFCI on the input side of the drive to switch off potentially harmful leakage current.

Factors in determining leakage current:

- Size of the AC drive
- AC drive carrier frequency
- Motor cable type and length
- EMI/RFI filter

If the GFCI trips spuriously, consider changing these items or use a GFCI with a higher trip level.

**Note:** Choose a GFCI designed specifically for an AC drive. The operation time should be at least 0.1 s with sensitivity amperage of at least 200 mA per drive. The output waveform of the drive and built-in EMC filter may cause an increase in leakage current. This may in turn cause the leakage breaker to malfunction. Increase the sensitivity amperage or lower the carrier frequency to correct the problem.

### ◆ Installing a Magnetic Contactor at the Power Supply Side

Install a magnetic contactor (MC) to the drive input for the purposes explained below.

#### ■ Disconnecting the Power Supply

Shut off the drive with an MC when a fault occurs in any external equipment such as braking resistors.

**NOTICE:** Do not connect electromagnetic switches or MCs to the output motor circuits without proper sequencing. Improper sequencing of output motor circuits could result in damage to the drive.

## 8.5 Installing Peripheral Devices

**NOTICE:** Install an MC on the input side of the drive when the drive should not automatically restart after power loss. To get the full performance life out of the capacitor for the control power supply and circuit relays, refrain from switching the drive power supply off and on more than once every 30 minutes. Frequent use can damage the drive. Use the drive to stop and start the motor.

**NOTICE:** Use a magnetic contactor (MC) to ensure that power to the drive can be completely shut off when necessary. The MC should be wired so that it opens when a fault output terminal is triggered.

- Note:**
1. Install an MC to the drive input side to prevent the drive from restarting automatically when power is restored after momentary power loss.
  2. Set up a delay that prevents the MC from opening prematurely to continue operating the drive through a momentary power loss.

### ◆ Connecting a Surge Absorber

A surge absorber suppresses surge voltage generated from switching an inductive load near the drive. Inductive loads include magnetic contactors, relays, valves, solenoids, and brakes. Always use a surge absorber or diode when operating with an inductive load.

**WARNING! Fire Hazard.** Due to surge absorber short circuit on drive output terminals U/T1, V/T2, and W/T3, do not connect surge absorbers to the drive output power terminals. Failure to comply may result in serious injury or death by fire or flying debris.

### ◆ Reducing Noise

#### ■ Preventing Induced Noise

Use shielded cables or zero phase reactors and lay the cables at least 30 cm away from the signal line to prevent induced noise.

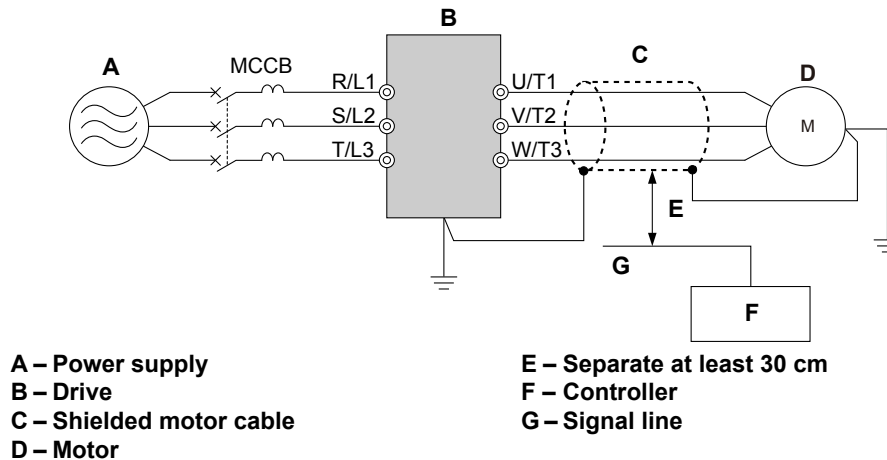


Figure 8.19 Preventing Induced Noise

#### ■ Reducing Noise Using Internal EMC Filter Models

Models UU□E□□□□ and UU□W□□□□ contain a built-in EMC filter. These drives comply with EMC guidelines IEC/EN 61800-3 2nd Environment Category C2. Use switches on the drive to enable the EMC filters. [Refer to Enable the Internal EMC Filter on page 99](#) for details.

### ◆ Attachment for External Heatsink Mounting

An external attachment can be used to project the heatsink outside of an enclosure to ensure that there is sufficient air circulation around the heatsink.

Contact a Yaskawa sales representative or Yaskawa directly for more information on this attachment.

### ◆ Internal EMC Filter Model Installation

Internal EMC filter models (UU□E□□□□ and UU□W□□□□) are tested according to European standards IEC/EN 61800-3 2nd Environment Category C2 and comply with the EMC guidelines. [Refer to Enable the Internal EMC Filter on page 99](#) for details about EMC filter selection and installation.

### ◆ Installing a Motor Thermal Overload (oL) Relay on the Drive Output

Motor thermal overload relays protect the motor by disconnecting power lines to the motor due to a motor overload condition.

Install a motor thermal overload relay between the drive and motor:

- When operating multiple motors on a single AC drive.
- When using a power line bypass to operate the motor directly from the power line.

It is not necessary to install a motor thermal overload relay when operating a single motor from a single AC drive. The AC drive has UL recognized electronic motor overload protection built into the drive software.

- Note:**
1. Disable the motor protection function (L1-01 = 0) when using an external motor thermal overload relay.
  2. The relay should shut off main power on the input side of the main circuit when triggered.

### ■ General Precautions when Using Thermal Overload Relays

Consider the following application precautions when using motor thermal overload relays on the output of AC drives to prevent nuisance trips or overheat of the motor at low speeds:

- Low speed motor operation
- Use of multiple motors on a single AC drive
- Motor cable length
- Nuisance tripping resulting from high AC drive carrier frequency

#### Low Speed Operation and Motor Thermal oL Relays

Generally, thermal relays are applied on general-purpose motors. When general-purpose motors are driven by AC drives, the motor current is approximately 5% to 10% greater than if driven by a commercial power supply. In addition, the cooling capacity of a motor with a shaft-driven fan decreases when operating at low speeds. Motor overheating may occur even when the load current is within the motor rated value. A thermal relay cannot effectively protect the motor due to the reduction of cooling at low speeds. For this reason, apply the UL recognized electronic thermal overload protection function built into the drive whenever possible.

**UL recognized electronic thermal overload function of the drive:** Speed-dependent heat characteristics are simulated using data from standard motors and force-ventilated motors. The motor is protected from overload using this function.

#### Using a Single Drive to Operate Multiple Motors

Set parameter L1-01 to 0 to disable thermal overload protection for the drive.

- Note:** The UL recognized electronic thermal overload function cannot be applied when operating multiple motors with a single drive.

#### Long Motor Cables

When a high carrier frequency and long motor cables are used, nuisance tripping of the thermal relay may occur due to increased leakage current. To avoid this, reduce the carrier frequency or increase the tripping level of the thermal overload relay.

#### Nuisance Tripping Due to a High AC Drive Carrier Frequency

Current waveforms generated by high carrier frequency drives tend to increase the temperature in overload relays. It may be necessary to increase the trip level setting when encountering nuisance triggering of the relay.

**WARNING! Fire Hazard.** Confirm an actual motor overload condition is not present prior to increasing the thermal oL trip setting. Check local electrical codes before making adjustments to motor thermal overload settings. Failure to comply could result in death or serious injury.

**This Page Intentionally Blank**



# Appendix: A

## Specifications

---

<b>A.1</b>	<b>HEAVY DUTY AND NORMAL DUTY RATINGS.....</b>	<b>430</b>
<b>A.2</b>	<b>POWER RATINGS.....</b>	<b>431</b>
<b>A.3</b>	<b>DRIVE SPECIFICATIONS.....</b>	<b>435</b>
<b>A.4</b>	<b>DRIVE WATT LOSS DATA.....</b>	<b>437</b>
<b>A.5</b>	<b>DRIVE DERATING DATA.....</b>	<b>438</b>

### A.1 Heavy Duty and Normal Duty Ratings

The capacity of the drive is based on two types of load characteristics: Heavy Duty (HD) and Normal Duty (ND). The user can select HD or ND torque depending on the application. Fans, pumps, and blowers should use ND, while other applications generally use HD.

Refer to [Table A.1](#) for the differences between HD and ND.

**Table A.1 Selecting the Appropriate Load Rating**

Setting Parameter C6-01	Rated Output Current	Overload Tolerance
0: Heavy Duty	HD Rating varies by model <a href="#">&lt;/&gt;</a>	150% rated output current for 60 s
1: Normal Duty (default)	ND Rating varies by model <a href="#">&lt;/&gt;</a>	120% rated output current for 60 s varies by model

[<1>](#) [Refer to Power Ratings on page 431](#) for information on rating changes based on drive model.

**Note:** Differences between HD ratings and ND ratings for the drive include rated input and output current, overload capacity, and current limit.

## A.2 Power Ratings

### ◆ Three-Phase 200 V Class Drive Models 2□0028 to 2□0081

Table A.2 Power Ratings (Three-Phase 200 V Class)

Item		Specification					
Drive Model		2□0028	2□0042	2□0054	2□0068	2□0081	
Maximum Applicable Motor Capacity kW (HP) <1>	HD Rating	5.5 (7.5)	7.5 (10)	11 (15)	15 (20)	18.5 (25)	
	ND Rating	7.5 (10)	11 (15)	15 (20)	18.5 (25)	22 (30)	
Input/Output Rating	Rated Input Current (A) <2>	HD Rating	20	25	38	49	62
		ND Rating	25	38	49	62	74
	Rated Input Capacity (kVA) <3>	HD Rating	9	12	17	22	28
		ND Rating	12	17	22	28	34
	Rated Output Current (A) <4> <5>	HD Rating	22	28	42	54	68
		ND Rating	28	42	54	68	81
	Overload Tolerance		HD Rating: 150% of rated output current for 60 s ND Rating: 120% of rated output current for 60 s (Derating may be required for applications that start and stop frequently)				
	Carrier Frequency		4 kHz (User adjustable up to 10 kHz. Derating may be required.)				
	Maximum Output Voltage (V)		Proportional to input voltage <6>				
	Maximum Output Frequency (Hz)		400 Hz (User-adjustable)				
Power Supply	Rated Voltage Rated Frequency		Three-phase 200 to 240 Vac 50/60 Hz				
	Allowable Voltage Fluctuation		-15 to 10%				
	Allowable Frequency Fluctuation		±3% (Frequency fluctuation rate: 1 Hz/100 ms or less)				
	Allowable Phase Power Supply Voltage Unbalance		2% or less				
Harmonic Current Distortion <6>		5% or less (IEEE519 compliant)					
Input Power Factor <6>		0.98% or more (During rated operation)					

- <1> The motor capacity (HP) refers to an NEC 4-pole motor. The rated output current of the drive should be equal to or greater than the motor current. Select the appropriate capacity drive if operating the motor continuously above motor nameplate current.
- <2> Assumes operation at the rated output current. Input current rating varies depending on the power supply transformer, input reactor, wiring connections, and power supply impedance.
- <3> Rated input capacity is calculated with a power line voltage of  $240\text{ V} \times 1.1$ .
- <4> The rated output current of the drive should be equal to or greater than the motor rated current.
- <5> Carrier frequency is set to 4 kHz. Current derating is required to raise the carrier frequency.
- <6> If one of the following specifications are needed, the maximum output voltage = [input voltage]  $\times$  0.87:  
 Harmonic current distortion of 5% or less  
 Harmonic suppression guidelines compliance  
 Input power factor of 0.98 or higher.

### ◆ Three-Phase 200 V Class Drive Models 2□0104 to 2□0248

Table A.3 Power Ratings (Three-Phase 200 V Class) Continued

Item		Specification					
Drive Model		2□0104	2□0130	2□0154	2□0192	2□0248	
Maximum Applicable Motor Capacity kW (HP) <1>	HD Rating	22 (30)	30 (40)	37 (50)	45 (60)	55 (75)	
	ND Rating	30 (40)	37 (50)	45 (60)	55 (75)	75 (100)	
Input/Output Rating	Rated Input Current (A) <2>	HD Rating	74	95	118	140	175
		ND Rating	95	118	140	175	226
	Rated Input Capacity (kVA) <3>	HD Rating	34	43	54	64	80
		ND Rating	43	54	64	80	103
	Rated Output Current (A) <4> <5>	HD Rating	81	104	130	154	192
		ND Rating	104	130	154	192	248
	Overload Tolerance		HD Rating: 150% of rated output current for 60 s ND Rating: 120% of rated output current for 60 s (Derating may be required for applications that start and stop frequently)				
	Carrier Frequency		4 kHz (User adjustable up to 10 kHz. Derating may be required.)				
	Maximum Output Voltage (V)		Proportional to input voltage <6>				
	Maximum Output Frequency (Hz)		400 Hz (User-adjustable)				
Power Supply	Rated Voltage Rated Frequency		Three-phase 200 to 240 Vac 50/60 Hz				
	Allowable Voltage Fluctuation		-15 to 10%				
	Allowable Frequency Fluctuation		±3% (Frequency fluctuation rate: 1 Hz/100 ms or less)				
	Allowable Phase Power Supply Voltage Unbalance		2% or less				
Harmonic Current Distortion <6>		5% or less (IEEE519 compliant)					
Input Power Factor <6>		0.98% or more (During rated operation)					

- <1> The motor capacity (HP) refers to an NEC 4-pole motor. The rated output current of the drive should be equal to or greater than the motor current. Select the appropriate capacity drive if operating the motor continuously above motor nameplate current.
- <2> Assumes operation at the rated output current. Input current rating varies depending on the power supply transformer, input reactor, wiring connections, and power supply impedance.
- <3> Rated input capacity is calculated with a power line voltage of  $240\text{ V} \times 1.1$ .
- <4> The rated output current of the drive should be equal to or greater than the motor rated current.
- <5> Carrier frequency is set to 4 kHz. Current derating is required to raise the carrier frequency.
- <6> If one of the following specifications are needed, the maximum output voltage = [input voltage]  $\times$  0.87:  
 Harmonic current distortion of 5% or less  
 Harmonic suppression guidelines compliance  
 Input power factor of 0.98 or higher.

◆ Three-Phase 400 V Class Drive Models 4□0011 to 4□0077

Table A.4 Power Ratings (Three-Phase 400 V Class)

Item		Specification									
Drive Model		4□0011	4□0014	4□0021	4□0027	4□0034	4□0040	4□0052	4□0065	4□0077	
Maximum Applicable Motor Capacity kW (HP) <1>	HD Rating	3.7 (5)	5.5 (7.5)	7.5 (10)	11 (15)	15 (20)	18.5 (25)	22 (30)	30 (40)	37 (50)	
	ND Rating	5.5 (7.5)	7.5 (10)	11 (15)	15 (20)	18.5 (25)	22 (30)	30 (40)	37 (50)	45 (60)	
Input/Output Rating	Rated Input Current (A) <2>	HD Rating	8.7	10	13	19	25	31	36	47	59
		ND Rating	10	13	19	25	31	36	47	59	70
	Rated Input Capacity (kVA) <3>	HD Rating	8	9	12	17	22	28	33	43	54
		ND Rating	9	12	17	22	28	33	43	54	64
	Rated Output Current (A) <4> <5>	HD Rating	9.6	11	14	21	27	34	40	52	65
		ND Rating	11	14	21	27	34	40	52	65	77
	Overload Tolerance		HD Rating: 150% of rated output current for 60 s ND Rating: 120% of rated output current for 60 s (Derating may be required for applications that start and stop frequently)								
	Carrier Frequency		4 kHz (User adjustable up to 10 kHz. Derating may be required.)								
	Maximum Output Voltage (V)		Proportional to input voltage <6>								
	Maximum Output Frequency (Hz)		400 Hz (User-adjustable)								
Power Supply	Rated Voltage Rated Frequency		Three-phase 4A□□□□ and 4P□□□□ 380 to 500 Vac 50/60 Hz Three-phase 4E□□□□ and 4W□□□□ 380 to 480 Vac 50/60 Hz								
	Allowable Voltage Fluctuation		-15 to 10%								
	Allowable Frequency Fluctuation		±3% (Frequency fluctuation rate: 1 Hz/100 ms or less)								
	Allowable Phase Power Supply Voltage Unbalance		2% or less								
Harmonic Current Distortion <6>		5% or less (IEEE519 compliant)									
Input Power Factor <6>		0.98% or more (During rated operation)									

- <1> The motor capacity (HP) refers to an NEC 4-pole motor. The rated output current of the drive should be equal to or greater than the motor current. Select the appropriate capacity drive if operating the motor continuously above motor nameplate current.
- <2> Assumes operation at the rated output current. Input current rating varies depending on the power supply transformer, input reactor, wiring connections, and power supply impedance.
- <3> Rated input capacity is calculated with a power line voltage of 480 V × 1.1.
- <4> The rated output current of the drive should be equal to or greater than the motor rated current.
- <5> Carrier frequency is set to 4 kHz. Current derating is required to raise the carrier frequency.
- <6> If one of the following specifications are needed, the maximum output voltage = [input voltage] × 0.87:  
 Harmonic current distortion of 5% or less  
 Harmonic suppression guidelines compliance  
 Input power factor of 0.98 or higher.

◆ Three-Phase 400 V Class Drive Models 4□0096 to 4□0414

Table A.5 Power Ratings (Three-Phase 400 V Class) Continued

Item		Specification									
Drive Model		4□0096	4□0124	4□0156	4□0180	4□0216	4□0240	4□0302	4□0361	4□0414	
Maximum Applicable Motor Capacity kW (HP) <1>	HD Rating	45 (60)	55 (75)	75 (100)	90 (125)	110 (150)	132 (175)	150 (200)	185 (250)	220 (300)	
	ND Rating	55 (75)	75 (100)	90 (125)	110 (150)	132 (175)	150 (200)	185 (250)	220 (300)	260 (350)	
Input/Output Rating	Rated Input Current (A) <2>	HD Rating	70	87	113	142	164	197	218	275	329
		ND Rating	87	113	142	164	197	218	275	329	377
	Rated Input Capacity (kVA) <3>	HD Rating	64	80	103	130	150	180	200	251	300
		ND Rating	80	103	130	150	180	200	251	300	344
	Rated Output Current (A) <4> <5>	HD Rating	77	96	124	156	180	216	240	302	361
		ND Rating	96	124	156	180	216	240	302	361	414
	Overload Tolerance		HD Rating: 150% of rated output current for 60 s ND Rating: 120% of rated output current for 60 s (Derating may be required for applications that start and stop frequently)								
	Carrier Frequency		4 kHz (User adjustable up to 10 kHz. Derating may be required.)								
	Maximum Output Voltage (V)		Proportional to input voltage								
	Maximum Output Frequency (Hz)		400 Hz (User-adjustable)								
Power Supply	Rated Voltage Rated Frequency	Three-phase 4A□□□□ and 4P□□□□ 380 to 500 Vac 50/60 Hz Three-phase 4E□□□□ and 4W□□□□ 380 to 480 Vac 50/60 Hz									
	Allowable Voltage Fluctuation	-15 to 10%									
	Allowable Frequency Fluctuation	±3% (Frequency fluctuation rate: 1 Hz/100 ms or less)									
	Allowable Phase Power Supply Voltage Unbalance	2% or less									
Harmonic Current Distortion <6>		5% or less (IEEE519 compliant)									
Input Power Factor <6>		0.98% or more (During rated operation)									

- <1> The motor capacity (HP) refers to an NEC 4-pole motor. The rated output current of the drive should be equal to or greater than the motor current. Select the appropriate capacity drive if operating the motor continuously above motor nameplate current.
- <2> Assumes operation at the rated output current. Input current rating varies depending on the power supply transformer, input reactor, wiring connections, and power supply impedance.
- <3> Rated input capacity is calculated with a power line voltage of 480 V × 1.1.
- <4> The rated output current of the drive should be equal to or greater than the motor rated current.
- <5> Carrier frequency is set to 4 kHz. Current derating is required to raise the carrier frequency.
- <6> If one of the following specifications are needed, the maximum output voltage = [input voltage] × 0.87:  
Harmonic current distortion of 5% or less  
Harmonic suppression guidelines compliance  
Input power factor of 0.98 or higher.

## A.3 Drive Specifications

- Note:**
1. Perform rotational Auto-Tuning to obtain the performance specifications given below.
  2. For optimum performance life of the drive, install the drive in an environment that meets the required specifications.

	Item	Specification
<b>Control Characteristics</b>	<b>Control Method</b>	The following control methods can be set using drive parameters: <ul style="list-style-type: none"> <li>• V/f Control (V/f)</li> <li>• V/f Control with PG (V/f w/PG)</li> <li>• Open Loop Vector Control (OLV)</li> <li>• Closed Loop Vector Control (CLV)</li> <li>• Open Loop Vector Control for PM (OLV/PM)</li> <li>• Advanced Open Loop Vector Control for PM (AOLV/PM)</li> <li>• Closed Loop Vector Control for PM (CLV/PM)</li> </ul>
	<b>Frequency Control Range</b>	0.01 to 400 Hz
	<b>Frequency Accuracy (Temperature Fluctuation)</b>	Digital input: within $\pm 0.01\%$ of the max output frequency (-10 to +40 °C) Analog input: within $\pm 0.1\%$ of the max output frequency (25 °C $\pm 10$ °C)
	<b>Frequency Setting Resolution</b>	Digital inputs: 0.01 Hz Analog inputs: 1/2048 of the maximum output frequency setting (11 bit plus sign)
	<b>Output Frequency Resolution</b>	0.001 Hz
	<b>Frequency Setting Signal</b>	Main speed frequency reference: DC -10 to +10 V (20 k $\Omega$ ), DC 0 to +10 V (20 k $\Omega$ ), 4 to 20 mA (250 $\Omega$ ), 0 to 20 mA (250 $\Omega$ ) Main speed reference: Pulse train input (max. 32 kHz)
	<b>Starting Torque</b>	V/f, V/f w/PG: 150% at 3 Hz OLV: 200% at 0.3 Hz $\langle \! \! \! \rangle$ CLV, AOLV/PM, CLV/PM: 200% at 0.0 r/min $\langle \! \! \! \rangle$ OLV/PM: 100% at 3 Hz
	<b>Speed Control Range</b>	V/f, V/f w/PG: 1:40 OLV: 1:200 CLV, CLV/PM: 1:1500 OLV/PM: 1:20 AOLV/PM: 1:100
	<b>Speed Control Accuracy</b>	OLV: $\pm 0.2\%$ (25 °C $\pm 10$ °C) $\langle \! \! \! \rangle$ CLV: $\pm 0.02\%$ (25 °C $\pm 10$ °C) $\langle \! \! \! \rangle$
	<b>Speed Response</b>	OLV: 10 Hz (25 °C $\pm 10$ °C (77 °F $\pm 50$ °F)) CLV: 250 Hz (25 °C $\pm 10$ °C (77 °F $\pm 50$ °F))
	<b>Torque Limit</b>	Parameters setting allow separate limits in four quadrants (available in OLV, CLV, AOLV/PM, CLV/PM)
	<b>Accel/Decel Time</b>	0.0 to 6000.0 s (4 selectable combinations of independent acceleration and deceleration settings)
	<b>Braking Torque</b>	Same value as overload tolerance in motoring or regeneration.
	<b>V/f Characteristics</b>	User-selected programs and V/f preset patterns possible
<b>Main Control Functions</b>	Torque Control, Droop Control, Speed/torque Control Switching, Feed Forward Control, Zero Servo Function, Momentary Power Loss Ride-Thru, Speed Search, Synchronous Transfer with Commercial Power Supply, Overtorque/Undertorque Detection, Torque Limit, 17 Step Speed (max), Accel/decel Switch, S-curve Accel/decel, 3-wire Sequence, Auto-tuning (rotational, stationary tuning), Dwell, Cooling Fan on/off Switch, Slip Compensation, Torque Compensation, Frequency Jump, Upper/lower Limits for Frequency Reference, DC Injection Braking at Start and Stop, PID Control (with sleep function), Energy Saving Control, MEMOBUS/Modbus Comm. (RS-422/RS-485 max, 115.2 kbps), Fault Restart, Application Presets, DriveWorksEZ (customized function), Removable Terminal Block with Parameter Backup Function, Online Tuning, Overexcitation Deceleration, Inertia (ASR) Tuning, High Frequency Injection.	

### A.3 Drive Specifications

Item		Specification
Protection Functions	Power Supply Regeneration	Available
	Motor Protection	Electronic thermal overload relay
	Momentary Overcurrent Protection	Drive stops when output current reaches about 200% of the rated current.
	Overload Protection	Drive stops after 60 s at 150% of rated Heavy Duty output current <3>
	Overvoltage Protection	200 V class: Stops when input voltage exceeds approx. 315 V 400 V class: Stops when input voltage exceeds approx. 630 V
	Undervoltage Protection	200 V class: Stops when input voltage falls below approx. 150 V 400 V class: Stops when input voltage falls below approx. 300 V
	Momentary Power Loss Ride-Thru	Immediately stop after 2 ms or longer power loss <4> Continuous operation during power loss shorter than 2 s (standard) <5>
	Heatsink Overheat Protection	Thermistor
	Stall Prevention	Stall Prevention is available during acceleration, deceleration, and during run.
	Ground Protection	Electronic circuit protection <6>
Charge LED of Capacitor for Control Power Supply	Remains lit until control power supply voltage falls below 50 V	
Environment	Area of Use	Indoors
	Ambient Temperature	IP20/NEMA Type 1 enclosure: -10 °C to +40 °C (14 °F to 104 °F) IP00 enclosure: -10 °C to +50 °C (14 °F to 122 °F)
	Humidity	95 RH% or less (no condensation)
	Storage Temperature	-20 °C to +60 °C (short-term temperature during transportation)
	Altitude	Up to 1000 meters without derating, up to 3000 m with output current and voltage derating. <i>Refer to Altitude Derating on page 439</i> for details.
	Vibration/Shock	10 to 20 Hz: 9.8 m/s <sup>2</sup> 20 to 55 Hz: 5.9 m/s <sup>2</sup> (2□0028 to 2□0081 and 4□0011 to 4□0077) 2.0 m/s <sup>2</sup> (2□0104 to 2□0248 and 4□0096 to 4□0414)
Standard	<ul style="list-style-type: none"> <li>• UL508C</li> <li>• IEC/EN 61800-3, IEC/EN 61800-5-1</li> <li>• ISO/EN 13849-1 Cat.3 PLe, IEC/EN 61508 SIL3</li> </ul>	
Protection Design	IP00/Open Type enclosure <7>, IP20/NEMA Type 1 enclosure	

<1> Current derating is required. Select control modes in accordance with drive capacity.

<2> The accuracy of these values depends on motor characteristics, ambient conditions, and drive settings. Specifications may vary with different motors and with changing motor temperature. Contact Yaskawa for consultation.

<3> Overload protection may be triggered when operating with 150% of the rated output current if the output frequency is less than 6 Hz.

<4> Actual specifications may vary depending on motor characteristics.

<5> A separate Momentary Power Loss Ride-Thru Unit is required if the application needs to continue running for up to 2 seconds during a momentary power loss.

<6> Ground protection cannot be provided when the impedance of the ground fault path is too low, or when the drive is powered up while a ground fault is present at the output.

<7> Attaching the top protective cover and bottom cover on an IP00 enclosure drive will convert the drive to a NEMA Type 1 drive.



## A.4 Drive Watt Loss Data

Table A.6 Watt Loss 200 V Class Three-Phase Models

Drive Model	Normal Duty				Heavy Duty			
	Rated Amps (A)	Heatsink Loss (W)	Interior Unit Loss (W)	Total Loss (W)	Rated Amps (A)	Heatsink Loss (W)	Interior Unit Loss (W)	Total Loss (W)
2□0028	28	659	103	762	22	543	91	634
2□0042	42	854	168	1022	28	586	138	724
2□0054	54	1037	195	1232	42	808	168	976
2□0068	68	1295	225	1520	54	1016	190	1206
2□0081	81	1420	238	1658	68	1181	208	1389
2□0104	104	1696	282	1978	81	1313	234	1547
2□0130	130	2157	341	2498	104	1673	280	1953
2□0154	154	2441	366	2807	130	2037	318	2355
2□0192	192	3064	447	3511	154	2400	366	2766
2□0248	248	3785	578	4363	192	2815	460	3275

Table A.7 Watt Loss 400 V Class Three-Phase Models

Drive Model	Normal Duty				Heavy Duty			
	Rated Amps (A)	Heatsink Loss (W)	Interior Unit Loss (W)	Total Loss (W)	Rated Amps (A)	Heatsink Loss (W)	Interior Unit Loss (W)	Total Loss (W)
4□0011	11	452	80	532	10	415	76	491
4□0014	14	459	79	538	11	372	70	442
4□0021	21	641	105	746	14	438	80	518
4□0027	27	675	106	781	21	549	93	642
4□0034	34	798	124	922	27	658	107	765
4□0040	40	877	174	1051	34	693	150	843
4□0052	52	1109	209	1318	40	855	178	1033
4□0065	65	1369	240	1609	52	1087	204	1291
4□0077	77	1479	251	1730	65	1238	220	1458
4□0096	96	1715	290	2005	77	1373	247	1620
4□0124	124	2256	362	2618	96	1693	290	1983
4□0156	156	2857	421	3278	124	2242	343	2585
4□0180	180	3316	482	3798	156	2833	421	3254
4□0216	216	3720	587	4307	180	3035	503	3538
4□0240	240	3897	600	4497	216	3498	551	4049
4□0302	302	5202	857	6059	240	3867	689	4556
4□0361	361	5434	863	6297	302	4384	735	5119
4□0414	414	6444	1012	7456	361	5563	902	6465

## A.5 Drive Derating Data

The drive can be operated at above the rated temperature, altitude, and default carrier frequency by derating the drive capacity.

### ◆ Rated Current Depending on Carrier Frequency

The table below shows the drive output current depending on the carrier frequency settings.

Use the data in the following tables to linearly calculate output current values for carrier frequencies not listed.

**Table A.8 Three-Phase 200 V Class Carrier Frequency and Current Derating**

Three-Phase 200 V Class								
Drive Model	Rated Current [A]							
	Normal Duty Rating (ND)				Heavy Duty Rating (HD)			
	4 kHz	6 kHz	8 kHz	10 kHz	4 kHz	6 kHz	8 kHz	10 kHz
2□0028	28	25	22	20	22	20	18	15
2□0042	42	38	34	29	28	25	22	20
2□0054	54	49	43	38	42	38	34	29
2□0068	68	61	54	48	54	49	43	38
2□0081	81	73	65	57	68	61	54	48
2□0104	104	94	83	—	81	73	65	—
2□0130	130	117	104	—	104	94	83	—
2□0154	154	139	—	—	130	117	—	—
2□0192	192	173	—	—	154	139	—	—
2□0248	248	—	—	—	192	—	—	—

**Table A.9 Three-Phase 400 V Class Carrier Frequency and Current Derating**

Three-Phase 400 V Class								
Drive Model	Rated Current [A]							
	Normal Duty Rating (ND)				Heavy Duty Rating (HD)			
	4 kHz	6 kHz	8 kHz	10 kHz	4 kHz	6 kHz	8 kHz	10 kHz
4□0011	11	9.9	8.8	7.7	9.6	8.6	7.7	6.7
4□0014	14	13	11	9.8	11	9.9	8.8	7.7
4□0021	21	19	17	15	14	13	11	9.8
4□0027	27	24	22	19	21	19	17	15
4□0034	34	31	27	24	27	24	22	19
4□0040	40	36	32	28	34	31	27	24
4□0052	52	47	42	36	40	36	32	28
4□0065	65	59	52	46	52	47	42	36
4□0077	77	69	62	54	65	59	52	46
4□0096	96	86	77	—	77	69	62	—
4□0124	124	112	99	—	96	86	77	—
4□0156	156	140	—	—	124	112	—	—
4□0180	180	162	—	—	156	140	—	—
4□0216	216	—	—	—	180	—	—	—
4□0240	240	—	—	—	216	—	—	—
4□0302	302	—	—	—	240	—	—	—
4□0361	361	—	—	—	302	—	—	—
4□0414	414	—	—	—	361	—	—	—

### ◆ Carrier Frequency Derating

Derate the drive according to [Figure A.1](#) as the carrier frequency increases above the factory default setting.

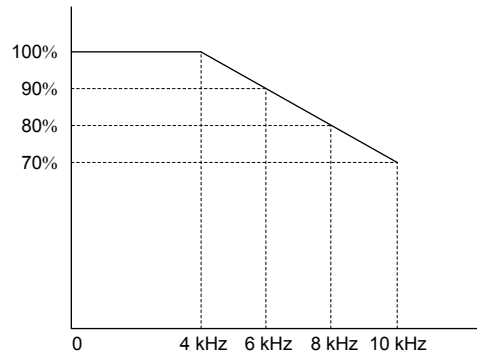


Figure A.1 Carrier Frequency Derating

## ◆ Temperature Derating

To ensure the maximum performance life, the drive output current must be derated as shown in **Figure A.2** when the drive is installed in areas with high ambient temperature. Set parameters L8-12 and L8-35 according to the installation conditions to ensure reliable drive overload protection.

### ■ Parameter Settings

No.	Name	Description	Range	Default
L8-12	Ambient Temperature Setting	Adjust the drive overload (oL2) protection level when the drive is installed in an environment that exceeds its ambient temperature rating.	-10 to +50	+40 °C
L8-35	Installation Method Selection	0: IP00/Open-Chassis Enclosure 2: IP20/NEMA Type 1 Enclosure 3: Finless Drive or External Heatsink Installation	0, 2, 3	Det. by o2-04

#### Setting 0: IP00/Open-Chassis Enclosure

Drive operation between -10 °C and +50 °C allows 100% continuous current without derating.

#### Setting 2: IP20/NEMA Type 1 Enclosure

Drive operation between -10 °C and +40 °C allows 100% continuous current without derating. Operation between +40 °C and +50 °C requires output current derating.

#### Setting 3: External Heatsink Installation, Finless Drive

Drive operation between -10 °C and +40 °C allows 100% continuous current without derating. Operation between +40 °C and +50 °C requires output current derating.

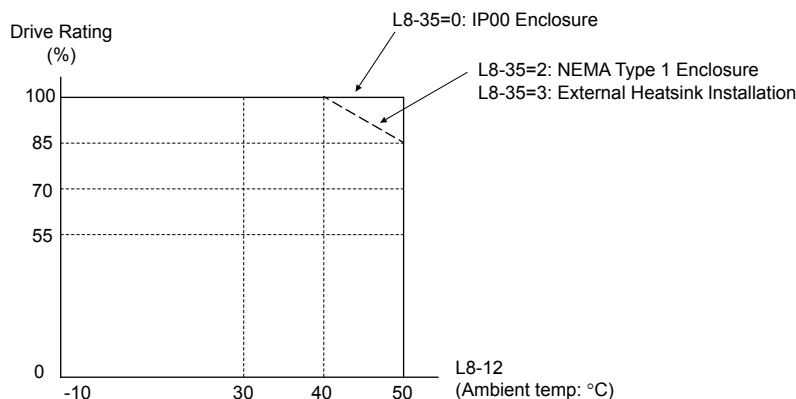


Figure A.2 Ambient Temperature and Installation Method Derating

## ◆ Altitude Derating

The drive standard ratings are valid for installation altitudes up to 1000 m. For installations from 1000 m to 3000 m, the drive rated voltage and the rated output current must be derated for 1% per 100 m.

**This Page Intentionally Blank**

# Appendix: B

## Parameter List

---

This appendix contains a full listing of all parameters and settings available in the drive.

<b>B.1</b>	<b>UNDERSTANDING PARAMETER DESCRIPTIONS.....</b>	<b>442</b>
<b>B.2</b>	<b>PARAMETER GROUPS .....</b>	<b>443</b>
<b>B.3</b>	<b>A: INITIALIZATION PARAMETERS .....</b>	<b>444</b>
<b>B.4</b>	<b>B: APPLICATION.....</b>	<b>446</b>
<b>B.5</b>	<b>C: TUNING.....</b>	<b>455</b>
<b>B.6</b>	<b>D: REFERENCE SETTINGS.....</b>	<b>461</b>
<b>B.7</b>	<b>E: MOTOR PARAMETERS.....</b>	<b>467</b>
<b>B.8</b>	<b>F: OPTION SETTINGS.....</b>	<b>473</b>
<b>B.9</b>	<b>H PARAMETERS: MULTI-FUNCTION TERMINALS.....</b>	<b>483</b>
<b>B.10</b>	<b>L: PROTECTION FUNCTION.....</b>	<b>498</b>
<b>B.11</b>	<b>N: SPECIAL ADJUSTMENTS.....</b>	<b>507</b>
<b>B.12</b>	<b>O: OPERATOR-RELATED SETTINGS.....</b>	<b>511</b>
<b>B.13</b>	<b>DRIVEWORKSEZ PARAMETERS.....</b>	<b>514</b>
<b>B.14</b>	<b>T: MOTOR TUNING.....</b>	<b>515</b>
<b>B.15</b>	<b>U: MONITORS.....</b>	<b>519</b>
<b>B.16</b>	<b>CONTROL MODE DEPENDENT PARAMETER DEFAULT VALUES.....</b>	<b>530</b>
<b>B.17</b>	<b>V/F PATTERN DEFAULT VALUES.....</b>	<b>534</b>
<b>B.18</b>	<b>DEFAULTS BY DRIVE MODEL AND DUTY RATING ND/HD.....</b>	<b>536</b>
<b>B.19</b>	<b>PARAMETERS CHANGED BY MOTOR CODE SELECTION (FOR PM MOTORS).....</b>	<b>542</b>

## B.1 Understanding Parameter Descriptions

### ◆ Control Modes, Symbols, and Terms

The table below lists terms and symbols used in this section to indicate which parameters are available in which control modes.

Note: Refer to [Control Mode Selection on page 31](#) for detailed instructions on each control mode.

**Table B.1 Symbols and Icons Used in Parameter Descriptions**

Symbol	Description
	Parameter is available in all control modes.
	Parameter is available when operating the drive with V/f Control.
	Parameter is available when operating the drive with V/f with PG Control.
	Parameter is available when operating the drive with Open Loop Vector.
	Parameter is available when operating the drive with Closed Loop Vector.
	Parameter is available when operating the drive with Open Loop Vector for PM motors.
	Parameter is available when operating the drive with Advanced Open Loop Vector for PM motors.
	Parameter is available when operating the drive with Closed Loop Vector for PM motors.
	Parameter is NOT available when operating the drive in the control mode.
	Parameter can be changed during run.
Motor 2	Refers to a second motor when the drive is operating two motors. Switch between these motors using the multi-function input terminals.

## B.2 Parameter Groups



Table B.2 Parameter Groups

Parameter Group	Name	Page	Parameter Group	Name	Page
A1	Initialization Parameters	444	H1	Multi-Function Digital Inputs	483
A2	User Parameters	445	H2	Multi-Function Digital Outputs	488
b1	Operation Mode Selection	446	H3	Multi-Function Analog Inputs	492
b2	DC Injection Braking	447	H4	Multi-Function Analog Outputs	494
b3	Speed Search	448	H5	MEMOBUS/Modbus Serial Communication	495
b4	Timer Function	450	H6	Pulse Train Input/Output	496
b5	PID Control	451	L1	Motor Protection	498
b6	Dwell Function	453	L2	Momentary Power Loss Ride-Thru	499
b7	Droop Control	453	L3	Stall Prevention	500
b8	Energy Saving	454	L4	Speed Detection	501
b9	Zero Servo	454	L5	Fault Restart	502
C1	Acceleration and Deceleration Times	455	L6	Torque Detection	502
C2	S-Curve Characteristics	456	L7	Torque Limit	504
C3	Slip Compensation	456	L8	Drive Protection	504
C4	Torque Compensation	457	L9	Drive Protection 2	506
C5	Automatic Speed Regulator (ASR)	457	n1	Hunting Prevention	507
C6	Carrier Frequency	459	n2	Speed Feedback Detection Control (AFR) Tuning	507
C7	Voltage Adjustment	460	n5	Feed Forward Control	508
d1	Frequency Reference	461	n6	Online Tuning	508
d2	Frequency Upper/Lower Limits	463	n8	PM Motor Control Tuning	508
d3	Jump Frequency	463	o1	Digital Operator Display Selection	511
d4	Frequency Reference Hold and Up/Down 2 Function	463	o2	Digital Operator Keypad Functions	511
d5	Torque Control	464	o3	Copy Function	512
d6	Field Weakening and Field Forcing	465	o4	Maintenance Monitor Settings	512
d7	Offset Frequency	465	q	DriveWorksEZ Parameters	514
E1	V/f Pattern for Motor 1	467	r	DriveWorksEZ Connection Parameters	514
E2	Motor 1 Parameters	468	T1	Induction Motor Auto-Tuning	515
E3	V/f Pattern for Motor 2	469	T2	PM Motor Auto-Tuning	516
E4	Motor 2 Parameters	470	T3	ASR and Inertia Tuning	518
E5	PM Motor Settings	471	U1	Operation Status Monitors	519
F1	PG Speed Control Card (PG-B3, PG-X3, PG-RT3, PG-F3)	473	U2	Fault Trace	521
F2	Analog Input Card (AI-A3)	476	U3	Fault History	523
F3	Digital Input Card (DI-A3)	476	U4	Maintenance Monitors	523
F4	Analog Monitor Card (AO-A3)	476	U5	PID Monitors	525
F5	Digital Output Card (DO-A3)	477	U6	Operation Status Monitors	526
F6	Communication Option Card (SI-C3, SI-S3, SI-N3, SI-P3, SI-T3, SI-EP3, SI-ES3, SI-B3, SI-W3)	478	U8	DriveWorksEZ Monitors	528
F7	Communication Option Card (SI-EN3, SI-EM3, SI-EP3)	480	U9	Power Monitors	528

## B.3 A: Initialization Parameters

The A parameter group creates the operating environment for the drive. This includes the parameter Access Level, Motor Control Method, Password, User Parameters and more.

### ◆ A1: Initialization

No. (Addr. Hex)	Name	LCD Display	Description	Values	Page
A1-00 (0100)  <1>	Language Selection	Select Language 0: English 1: ニホンゴ (Japanese) 2: Deutsch 3: Français 4: Italiano 5: Español 6: Portuguêsêse 7: 中文	<b>All Modes</b> 0: English 1: Japanese 2: German 3: French 4: Italian 5: Spanish 6: Portuguese 7: Chinese	Default: 0 Range: 0 to 7	152
A1-01 (0101)  <2>	Access Level Selection	Access Level 0: Operation Only 1: User Parameters 2: Advanced Level	<b>All Modes</b> 0: View and set A1-01 and A1-04. U□-□□ parameters can also be viewed. 1: User Parameters (access to a set of parameters selected by the user, A2-01 to A2-32) 2: Advanced Access (access to view and set all parameters)	Default: 2 Range: 0 to 2	152
A1-02 (0102) <1>	Control Method Selection	Control Method 0: V/f Control 1: V/f with PG 2: Open Loop Vector 3: Closed Loop Vect 5: PM OpenLoop Vect 6: PM AdvOpLoopVect 7: PM ClosedLoopVct	<b>All Modes</b> 0: V/f Control 1: V/f Control with PG 2: Open Loop Vector Control 3: Closed Loop Vector Control 5: Open Loop Vector Control for PM 6: Advanced Open Loop Vector Control for PM 7: Closed Loop Vector Control for PM	Default: 0 Range: 0 to 3; 5 to 7	152
A1-03 (0103)	Initialize Parameters	Init Parameters 0: No Initialize 1110: User Initialize 2220: 2-Wire Initial 3330: 3-Wire Initial 5550: Term->Cntrl Int	<b>All Modes</b> 0: No initialization 1110: User Initialize (parameter values must be stored using parameter o2-03) 2220: 2-Wire initialization 3330: 3-Wire initialization 5550: oPE04 error reset	Default: 0 Range: 0 to 3330; 5550	153
A1-04 (0104)	Password	Enter Password	<b>All Modes</b> When the value set into A1-04 does not match the value set into A1-05, parameters A1-01 through A1-03, A1-06, A1-07, and A2-01 through A2-32 cannot be changed.	Default: 0000 Min.: 0000 Max.: 9999	154
A1-05 (0105)	Password Setting	Select Password	<b>All Modes</b> When the value set into A1-04 does not match the value set into A1-05, parameters A1-01 through A1-03, A1-06, A1-07, and A2-01 through A2-32 cannot be changed.	Default: 0000 Min.: 0000 Max.: 9999	154
A1-06 (0127)	Application Preset	Application Sel 0: General 1: Pump 2: Conveyor 3: Exhaust Fan 4: Supply Fan 5: Compressor	<b>All Modes</b> 0: General-purpose 1: Water supply pump 2: Conveyor 3: Exhaust fan 4: HVAC fan 5: Air compressor	Default: 0 Range: 0 to 5	156
A1-07 (0128)	DriveWorksEZ Function Selection	DWEZ Func Sel 0: Disabled 1: Enabled 2: Terminal Control	<b>All Modes</b> 0: DWEZ Disabled 1: DWEZ Enabled 2: Digital input (enabled when H1-□□ = 9F)	Default: 0 Range: 0 to 2	156

<1> Parameter setting value is not reset to the default value when the drive is initialized.

<2> Default setting value is determined by the Application Preset selected in parameter A1-06.



## ◆ A2: User Parameters

No. (Addr. Hex)	Name	LCD Display	Description	Values	Page
A2-01 to A2-32 (0106 to 0125)	User Parameters 1 to 32	User Param 1 - 32	<b>All Modes</b> Recently edited parameters are listed here. The user can also select parameters to appear here for quicker access.	Default: <1> Range: b1-01 to o4-19	157
A2-33 (0126)	User Parameter Automatic Selection	User Parms Sel 0: Disabled 1: Enabled	<b>All Modes</b> 0: Parameters A2-01 to A2-32 are reserved for the user to create a list of User Parameters. 1: Save history of recently viewed parameters. Recently edited parameters will be saved to A2-17 through A2-32 for quicker access.	Default: 1 <2> Range: 0, 1	157

<1> Default setting value is determined by the Application Preset selected in parameter A1-06.

<2> Default setting value is determined by parameter A1-06. Default is 0 when A1-06 = 0, and 1 when A1-06 ≠ 0.

## B.4 b: Application

Application parameters configure the source of the Run command, DC Injection Braking, Speed Search, timer functions, PID control, the Dwell function, Energy Savings, and a variety of other application-related settings.

### ◆ b1: Operation Mode Selection

No. (Addr. Hex)	Name	LCD Display	Description	Values	Page
b1-01 (0180)	Frequency Reference Selection 1	Ref Source 1 0: Operator 1: Analog Input 2: Serial Com 3: Option PCB 4: Pulse Input	<b>All Modes</b> 0: Digital operator 1: Analog input terminals 2: MEMOBUS/Modbus communications 3: Option PCB 4: Pulse train input (terminal RP)	Default: 1 Range: 0 to 4	158
b1-02 (0181)	Run Command Selection 1	Run Source 1 0: Operator 1: Digital Inputs 2: Communication 3: Option PCB	<b>All Modes</b> 0: Digital operator 1: Digital input terminals 2: MEMOBUS/Modbus communications 3: Option PCB	Default: 1 Range: 0 to 3	159
b1-03 (0182)	Stopping Method Selection	Stopping Method 0: Ramp to Stop 1: Coast to Stop 2: DCInj to Stop 3: Coast w/Timer	<b>All Modes</b> 0: Ramp to stop 1: Coast to stop 2: DC Injection Braking to stop 3: Coast with timer	Default: 0 Range: 0 to 3 </>	160
b1-04 (0183)	Reverse Operation Selection	Reverse Oper 0: Reverse Enabled 1: Reverse Disabled	<b>All Modes</b> 0: Reverse enabled. 1: Reverse disabled.	Default: 0 Range: 0, 1	163
b1-05 (0184)	Action Selection below Minimum Output Frequency	Zero-Speed Oper 0: RUN at Freq Ref 1: STOP 2: RUN at Min Freq RUN at Zero PRM	<input type="radio"/> V/f <input type="radio"/> V/f w PG <input type="radio"/> OLV <input checked="" type="radio"/> CLV <input type="radio"/> OLV/PM <input type="radio"/> AOLV/PM <input checked="" type="radio"/> CLV/PM 0: Operates according to frequency reference (E1-09 is disabled). 1: Output shuts off (coast to stop if less than E1-09). 2: Operates according to E1-09 (frequency reference set to E1-09). 3: Zero speed (frequency reference becomes zero when less than E1-09).	Default: 0 Range: 0 to 3	163
b1-06 (0185)	Digital Input Reading	Cntl Input Scans 0: 1 Scan 1: 2 Scans	<b>All Modes</b> 0: Input status is read once and processed immediately (for quicker response) 1: Input is read twice and processed only if the status is the same in both readings (robust against noisy signals)	Default: 1 Range: 0, 1	164
b1-07 (0186)	LOCAL/REMOTE Run Selection	LOC/REM Dur Run 0: Cycle Extrn RUN 1: Accept Extrn RUN	<b>All Modes</b> 0: An external Run command must be cycled at the new source in order to be activated. 1: An external Run command at the new source is accepted immediately.	Default: 0 Range: 0, 1	165
b1-08 (0187)	Run Command Selection in Programming Mode	RUN dur PRG Mode 0: Run Disabled@PRG 1: Run Enabled@PRG 2: Prg only @ Stop	<b>All Modes</b> 0: Run command is not accepted while in Programming Mode. 1: Run command is accepted while in Programming Mode. 2: Prohibit entering Programming Mode during run.	Default: 0 Range: 0 to 2	165
b1-14 (01C3)	Phase Order Selection	Rotation Sel 0: Standard 1: SwitchPhaseOrder	<input type="radio"/> V/f <input type="radio"/> V/f w PG <input type="radio"/> OLV <input checked="" type="radio"/> CLV <input type="radio"/> OLV/PM <input type="radio"/> AOLV/PM <input type="radio"/> CLV/PM 0: Standard 1: Switch phase order (reverses the direction of the motor)	Default: 0 Range: 0, 1	165

No. (Addr. Hex)	Name	LCD Display	Description	Values	Page
b1-15 (01C4)	Frequency Reference Selection 2	Ref Source 2 0: Operator 1: Analog Input 2: Serial Com 3: Option PCB 4: Pulse Input	<b>All Modes</b> Enabled when an input terminal set for “External reference” (H1-□□ = 2) closes. 0: Digital operator 1: Terminals (analog input terminals) 2: MEMOBUS/Modbus communications 3: Option card 4: Pulse train input	Default: 0 Range: 0 to 4	165
b1-16 (01C5)	Run Command Selection 2	Run Source 2 0: Operator 1: Digital Inputs 2: Communication 3: Option PCB	<b>All Modes</b> Enabled when a terminal set for “External reference” (H1-□□ = 2) closes. 0: Digital operator 1: Digital input terminals 2: MEMOBUS/Modbus communications 3: Option card	Default: 0 Range: 0 to 3	166
b1-17 (01C6)	Run Command at Power Up	Run Cmd @ Pwr On 0: Cycle Ext Run 1: Accept Ext Run	<b>All Modes</b> 0: Disregarded. A new Run command must be issued after power up. 1: Allowed. Motor will start immediately after power up if a Run command is already enabled.	Default: 0 Range: 0, 1	166
b1-21 (0748)	Start Condition Selection at Closed Loop Vector Control	PG Start Sel 0: RejectRunCmd 1: AcceptRunCmd	<input type="radio"/> V/f <input type="radio"/> V/f w PG <input type="radio"/> OLV <input checked="" type="radio"/> CLV <input type="radio"/> OLV/PM <input type="radio"/> AOLV/PM <input checked="" type="radio"/> CLV/PM Selects a condition to start CLV control. There is normally no need to change this parameter from the default value. 0: Run command is not accepted when $b2-01 \leq \text{motor speed} < E1-09$ 1: Run command is accepted when $b2-01 \leq \text{motor speed} < E1-09$	Default: 0 Range: 0, 1	166
b1-24 (0B2C)	Commercial Power Operation Switching Selection	CommerclPwrSwSel 0: Disabled 1: Enabled	<input type="radio"/> V/f <input checked="" type="radio"/> V/f w PG <input type="radio"/> OLV <input type="radio"/> CLV <input type="radio"/> OLV/PM <input type="radio"/> AOLV/PM <input type="radio"/> CLV/PM 0: Disabled 1: Enabled	Default: 0 Range: 0, 1	166
b1-25 (0B2D)	Commercial Power Supply Operation Cancellation Level	Freq Deviate Lvl	<input type="radio"/> V/f <input checked="" type="radio"/> V/f w PG <input type="radio"/> OLV <input type="radio"/> CLV <input type="radio"/> OLV/PM <input type="radio"/> AOLV/PM <input type="radio"/> CLV/PM	Default: 1.0 kHz Min.: 0.4 Max.: 6.0	166
b1-26 (0B2E)	Commercial Power Supply Operation Switching Level	Freq Accept Lvl	Sets the judgement value of the hysteresis comparator in the judgment section for the commercial power switching function in increments of 0.1 Hz.	Default: 0.2 kHz Min.: 3.0 Max.: 6.0	167

<1> Setting range is 0, 1, 3 in CLV, OLV/PM, AOLV/PM, and CLV/PM control modes.

## ◆ b2: DC Injection Braking

No. (Addr. Hex)	Name	LCD Display	Description	Values	Page
b2-01 (0189)	DC Injection Braking Start Frequency	DCInj Start Freq	<b>All Modes</b> Sets the frequency at which DC Injection Braking starts when “Ramp to stop” (b1-03 = 0) is selected.	Default: <1> Min.: 0.0 Hz Max.: 10.0 Hz	167
b2-02 (018A)	DC Injection Braking Current	DCInj Current	<input type="radio"/> V/f <input checked="" type="radio"/> V/f w PG <input type="radio"/> OLV <input type="radio"/> CLV <input checked="" type="radio"/> OLV/PM <input type="radio"/> AOLV/PM <input type="radio"/> CLV/PM Sets the DC Injection Braking current as a percentage of the drive rated current.	Default: 50% Min.: 0 Max.: 100	167
b2-03 (018B)	DC Injection Braking Time at Start	DCInj Time@Start	<b>All Modes</b> Sets DC Injection Braking (Zero Speed Control when in CLV and CLV/PM) time at start. Disabled when set to 0.00 seconds.	Default: 0.00 s Min.: 0.00 Max.: 10.00	168
b2-04 (018C)	DC Injection Braking Time at Stop	DCInj Time@Stop	<b>All Modes</b> Sets DC Injection Braking (Zero Speed Control when in CLV and CLV/PM) time at stop.	Default: <1> Min.: 0.00 s Max.: 10.00 s	168

## B.4 b: Application

No. (Addr. Hex)	Name	LCD Display	Description	Values	Page
b2-08 (0190)	Magnetic Flux Compensation Value	Field Comp	<div style="display: flex; justify-content: space-between; align-items: center;"> <span>V/f</span> <span>V/f w PG</span> <span style="background-color: black; color: white; border-radius: 5px; padding: 2px;">OLV</span> <span>CLV</span> </div> <div style="display: flex; justify-content: space-between; align-items: center; margin-top: 5px;"> <span>OLV/PM</span> <span>AOLV/PM</span> <span>CLV/PM</span> </div> <p>Sets the magnetic flux compensation as a percentage of the no-load current value (E2-03).</p>	Default: 0% Min.: 0 Max.: 1000	168

<1> Default setting is determined by parameter A1-02, Control Method Selection.

## ◆ b3: Speed Search

No. (Addr. Hex.)	Name	LCD Display	Description	Values	Page
b3-01 (0191)	Speed Search Selection at Start	SpdSrch at Start 0: Disabled 1: Enabled	<div style="display: flex; justify-content: space-between; align-items: center;"> <span>V/f</span> <span>V/f w PG</span> <span style="background-color: black; color: white; border-radius: 5px; padding: 2px;">OLV</span> <span>CLV</span> </div> <div style="display: flex; justify-content: space-between; align-items: center; margin-top: 5px;"> <span>OLV/PM</span> <span>AOLV/PM</span> <span>CLV/PM</span> </div> <p>0: Disabled 1: Enabled</p>	Default: <1> Range: 0, 1	170
b3-03 (0193)	Speed Search Deceleration Time	SpdSrch Dec Time	<div style="display: flex; justify-content: space-between; align-items: center;"> <span>V/f</span> <span>V/f w PG</span> <span style="background-color: black; color: white; border-radius: 5px; padding: 2px;">OLV</span> <span>CLV</span> </div> <div style="display: flex; justify-content: space-between; align-items: center; margin-top: 5px;"> <span>OLV/PM</span> <span>AOLV/PM</span> <span>CLV/PM</span> </div> <p>Sets output frequency reduction time during Speed Search.</p>	Default: 2.0 s Min.: 0.1 Max.: 10.0	171
b3-04 (0194)	V/f Gain during Speed Search	SpdSrch V/f	<div style="display: flex; justify-content: space-between; align-items: center;"> <span>V/f</span> <span>V/f w PG</span> <span style="background-color: black; color: white; border-radius: 5px; padding: 2px;">OLV</span> <span>CLV</span> </div> <div style="display: flex; justify-content: space-between; align-items: center; margin-top: 5px;"> <span>OLV/PM</span> <span>AOLV/PM</span> <span>CLV/PM</span> </div> <p>Determines how much to lower the V/f ratio during Speed Search. Output voltage during Speed Search equals the V/f setting multiplied by b3-04.</p>	Default: <2> Min.: 10% Max.: 100%	171
b3-05 (0195)	Speed Search Delay Time	Search Delay	<div style="background-color: black; color: white; border-radius: 5px; padding: 2px; display: inline-block; margin-bottom: 5px;">All Modes</div> <p>When using an external contactor on the output side, b3-05 delays executing Speed Search after a momentary power loss to allow time for the contactor to close.</p>	Default: 0.2 s Min.: 0.0 Max.: 100.0	171
b3-06 (0196)	Output Current 1 during Speed Search	Srch Im Lvl1	<div style="display: flex; justify-content: space-between; align-items: center;"> <span>V/f</span> <span>V/f w PG</span> <span style="background-color: black; color: white; border-radius: 5px; padding: 2px;">OLV</span> <span>CLV</span> </div> <div style="display: flex; justify-content: space-between; align-items: center; margin-top: 5px;"> <span>OLV/PM</span> <span>AOLV/PM</span> <span>CLV/PM</span> </div> <p>Sets the current injected to the motor at the beginning of Speed Estimation Speed Search. Set as a coefficient for the motor rated current.</p>	Default: <2> Min.: 0.0 Max.: 2.0	171
b3-08 (0198)	Current Control Gain during Speed Search (Speed Estimation Type)	Srch ACR P Gain	<div style="display: flex; justify-content: space-between; align-items: center;"> <span>V/f</span> <span>V/f w PG</span> <span style="background-color: black; color: white; border-radius: 5px; padding: 2px;">OLV</span> <span>CLV</span> </div> <div style="display: flex; justify-content: space-between; align-items: center; margin-top: 5px;"> <span>OLV/PM</span> <span>AOLV/PM</span> <span>CLV/PM</span> </div> <p>Sets the proportional gain for the current controller during Speed Search. There is normally no need to change this parameter from the default setting.</p>	Default: <3> Min.: 0.00 Max.: 6.00	171
b3-10 (019A)	Speed Search Detection Compensation Gain	Srch Detect Comp	<div style="display: flex; justify-content: space-between; align-items: center;"> <span>V/f</span> <span>V/f w PG</span> <span style="background-color: black; color: white; border-radius: 5px; padding: 2px;">OLV</span> <span>CLV</span> </div> <div style="display: flex; justify-content: space-between; align-items: center; margin-top: 5px;"> <span>OLV/PM</span> <span>AOLV/PM</span> <span>CLV/PM</span> </div> <p>Sets the gain which is applied to the speed detected by Speed Estimation Speed Search before the motor is reaccelerated. Increase this setting if ov occurs when performing Speed Search after a relatively long period of baseblock.</p>	Default: 1.05 Min.: 1.00 Max.: 1.20	172
b3-14 (019E)	Bi-Directional Speed Search Selection	Bidir Search Sel 0: Disabled 1: Enabled	<div style="display: flex; justify-content: space-between; align-items: center;"> <span>V/f</span> <span>V/f w PG</span> <span style="background-color: black; color: white; border-radius: 5px; padding: 2px;">OLV</span> <span>CLV</span> </div> <div style="display: flex; justify-content: space-between; align-items: center; margin-top: 5px;"> <span>OLV/PM</span> <span>AOLV/PM</span> <span>CLV/PM</span> </div> <p>0: Disabled (uses the direction of the frequency reference) 1: Enabled (drive detects which way the motor is rotating)</p>	Default: <1> Range: 0, 1	172
b3-17 (01F0)	Speed Search Restart Current Level	SrchRestart Lvl	<div style="display: flex; justify-content: space-between; align-items: center;"> <span>V/f</span> <span>V/f w PG</span> <span style="background-color: black; color: white; border-radius: 5px; padding: 2px;">OLV</span> <span>CLV</span> </div> <div style="display: flex; justify-content: space-between; align-items: center; margin-top: 5px;"> <span>OLV/PM</span> <span>AOLV/PM</span> <span>CLV/PM</span> </div> <p>Sets the Speed Search restart current level as a percentage of the drive rated current.</p>	Default: 150% Min.: 0 Max.: 200	172
b3-18 (01F1)	Speed Search Restart Detection Time	SrchRestart Time	<div style="display: flex; justify-content: space-between; align-items: center;"> <span>V/f</span> <span>V/f w PG</span> <span style="background-color: black; color: white; border-radius: 5px; padding: 2px;">OLV</span> <span>CLV</span> </div> <div style="display: flex; justify-content: space-between; align-items: center; margin-top: 5px;"> <span>OLV/PM</span> <span>AOLV/PM</span> <span>CLV/PM</span> </div> <p>Sets the time to detect Speed Search restart.</p>	Default: 0.10 s Min.: 0.00 Max.: 1.00	172

No. (Addr Hex.)	Name	LCD Display	Description	Values	Page
b3-19 (01F2)	Number of Speed Search Restarts	Num of SrchRestr	<p><input type="radio"/> V/f <input type="radio"/> V/f w PG <input checked="" type="radio"/> OLV <input type="radio"/> CLV</p> <p><input type="radio"/> OLV/PM <input checked="" type="radio"/> AOLV/PM <input type="radio"/> CLV/PM</p> <p>Sets the number of times the drive can attempt to restart when performing Speed Search.</p>	Default: 3 Min.: 0 Max.: 10	172
b3-24 (01C0)	Speed Search Method Selection	SpdSrch Method 1: CurrentDetection 2: Speed Estimation	<p><input type="radio"/> V/f <input type="radio"/> V/f w PG <input checked="" type="radio"/> OLV <input type="radio"/> CLV</p> <p><input type="radio"/> OLV/PM <input checked="" type="radio"/> AOLV/PM <input type="radio"/> CLV/PM</p> <p>1: Current Detection 2: Speed Estimation</p>	Default: 2 Range: 1, 2	172
b3-25 (01C8)	Speed Search Wait Time	SpdSrch WaitTime	<p><input type="radio"/> V/f <input type="radio"/> V/f w PG <input checked="" type="radio"/> OLV <input type="radio"/> CLV</p> <p><input type="radio"/> OLV/PM <input checked="" type="radio"/> AOLV/PM <input type="radio"/> CLV/PM</p> <p>Sets the time the drive must wait between each Speed Search restart attempt.</p>	Default: 0.5 s Min.: 0.0 Max.: 30.0	173
b3-27 (01C9)	Start Speed Search Select	SPD Search By AI 0: start from 0 1: start SPD	<p><input type="radio"/> V/f <input type="radio"/> V/f w PG <input checked="" type="radio"/> OLV <input checked="" type="radio"/> CLV</p> <p><input type="radio"/> OLV/PM <input checked="" type="radio"/> AOLV/PM <input type="radio"/> CLV/PM</p> <p>Selects a condition to activate Speed Search Selection at Start (b3-01) or External Speed Search Command 1 or 2 from the multi-function input. 0: Triggered when a Run command is issued (normal). 1: Triggered when an external baseblock is released.</p>	Default: 0 Range: 0, 1	173
b3-29 (077C)	Speed Search Induced Voltage Level	SpdSrch Ind Vlvl	<p><input type="radio"/> V/f <input type="radio"/> V/f w PG <input type="radio"/> OLV <input type="radio"/> CLV</p> <p><input checked="" type="radio"/> OLV/PM <input checked="" type="radio"/> AOLV/PM <input type="radio"/> CLV/PM</p> <p>Performs Speed Search when the motor induced voltage exceeds the set level. There is normally no need to change this parameter from the default value, but if changes are necessary, try lowering this value in small increments. When set too low, the drive will not perform Speed Search.</p>	Default: 10% Min.: 0 Max.: 10	173
b3-31 (0BC0)	Speed Search Operation Current Level 1 (Current Detection 1)	Search (I2) Lv11	<p><input type="radio"/> V/f <input type="radio"/> V/f w PG <input checked="" type="radio"/> OLV <input type="radio"/> CLV</p> <p><input type="radio"/> OLV/PM <input checked="" type="radio"/> AOLV/PM <input type="radio"/> CLV/PM</p> <p>Set the current level to use to limit the output current during a Speed Search.</p>	Default: 1.50 Min.: 1.50 Max.: 3.50	173
b3-32 (0BC1)	Speed Search Operation Current Level 2 (Current Detection 2)	Search (I2) Lv12	<p><input type="radio"/> V/f <input type="radio"/> V/f w PG <input checked="" type="radio"/> OLV <input type="radio"/> CLV</p> <p><input type="radio"/> OLV/PM <input checked="" type="radio"/> AOLV/PM <input type="radio"/> CLV/PM</p> <p>Set the current level at which to end the Speed Search for Current Detection Type Speed Search 2.</p>	Default: 1.20 Min.: 0.00 Max.: 1.49	173
b3-33 (0B3F)	Speed Search Selection when Run Command is Given during Uv	SpdSrch Start UV 0: Disabled 1: Enabled	<p><b>All Modes</b></p> <p>Activates and deactivates Speed Search at start in accordance with whether a Run command was issued during an undervoltage (Uv) condition. Function is active when a momentary power loss (L2-01 = 1 or 2), Speed Search at start (b3-01 = 1), and coasting to a stop (b1-03 = 1) are enabled. 0: Disabled 1: Enabled</p>	Default: 0 Range: 0, 1	173
b3-50 (0BC7)	Backspin Search Direction Judgment Time 1	Bkspn Srch Time1	<p><input type="radio"/> V/f <input type="radio"/> V/f w PG <input checked="" type="radio"/> OLV <input type="radio"/> CLV</p> <p><input type="radio"/> OLV/PM <input checked="" type="radio"/> AOLV/PM <input type="radio"/> CLV/PM</p>	Default: 0.0 s Min.: 0.0 Max.: 10.0	174
b3-51 (0BC8)	Backspin Search Direction Judgment Time 2	Bkspn Srch Time2	Adjusts the direction of Speed Search to allow for backspin.	Default: 0.0 s Min.: 0.0 Max.: 10.0	174
b3-52 (0BC9)	Backspin Search Deceleration Time 1	BkspnSrchDecel1	<p><input type="radio"/> V/f <input type="radio"/> V/f w PG <input checked="" type="radio"/> OLV <input type="radio"/> CLV</p> <p><input type="radio"/> OLV/PM <input checked="" type="radio"/> AOLV/PM <input type="radio"/> CLV/PM</p> <p>Sets the search frequency deceleration rate when searching from the direction command when the momentary power loss time is shorter than the time set in b3-50.</p>	Default: 2.0 s Min.: 0.1 Max.: 10.0	175

## B.4 b: Application

No. (Addr Hex.)	Name	LCD Display	Description	Values	Page
b3-53 (0BCA)	Backspin Search Deceleration Time 2	BkspInSrChDecel2	<div style="display: flex; justify-content: space-around; align-items: center;"> <span>V/f</span> <span>V/f w PG</span> <span>OLV</span> <span>CLV</span> </div> <div style="display: flex; justify-content: space-around; align-items: center; margin-top: 5px;"> <span>OLV/PM</span> <span>AOLV/PM</span> <span>CLV/PM</span> </div> <p>Sets the search frequency deceleration rate for a Speed Search from the opposite direction of the direction command when the momentary power loss time is equal to or longer than the time set in b3-51.</p>	Default: 2.0 s Min.: 0.1 Max.: 10.0	175

<1> Default setting is determined by parameter A1-02, Control Method Selection.









<2> Default setting is determined by parameter o2-04, Drive Model Selection.

<3> Default setting is determined by parameters A1-02, Control Method Selection, and o2-04, Drive Model Selection.

## ◆ b4: Timer Function

No. (Addr. Hex.)	Name	LCD Display	Description	Values	Page
b4-01 (01A3)	Timer Function On-Delay Time	Delay-ON Timer	<div style="display: flex; justify-content: space-between; align-items: center;"> <span>All Modes</span> </div> <p>Sets the on-delay and off-delay times for a digital timer output (H2-□□ = 12). The output is triggered by a digital input programmed to H1-□□ = 18).</p>	Default: 0.0 s Min.: 0.0 Max.: 3000.0	176
b4-02 (01A4)	Timer Function Off-Delay Time	Delay-OFF Timer		Default: 0.0 s Min.: 0.0 Max.: 3000.0	176
b4-03 (0B30)	H2-01 ON Delay Time	H2-01 ON Delay	<div style="display: flex; justify-content: space-between; align-items: center;"> <span>All Modes</span> </div> <p>Sets the length of the delay time for contact outputs to open or close for the related functions set in H2-□□.</p>	Default: 0 ms Min.: 0 Max.: 65000	176
b4-04 (0B31)	H2-01 OFF Delay Time	H2-01 OFF Delay			
b4-05 (0B32)	H2-02 ON Delay Time	H2-02 ON Delay			
b4-06 (0B33)	H2-02 OFF Delay Time	H2-02 OFF Delay			
b4-07 (0B34)	H2-03 ON Delay Time	H2-03 ON Delay			
b4-08 (0B35)	H2-03 OFF Delay Time	H2-03 OFF Delay			

◆ b5: PID Control

No. (Addr. Hex)	Name	LCD Display	Description	Values	Page
b5-01 (01A5)	PID Function Setting	PID Mode 0: Disabled 1: Enabled D=Fdbk 2: Enabled D=Fdfwd 3: Fref+PID D=Fdbk 4: Fref+PID D=Fdfwd 5: Enabled D=Fdbk2 6: Enabled D=Fdfwd2 7: Fref+PID D=Fdbk2 8: Fref +PIDD=Fdfwd2	<b>All Modes</b> 0: Disabled 1: Enabled (PID output becomes output frequency reference, deviation D controlled) 2: Enabled (PID output becomes output frequency reference, feedback D controlled) 3: Enabled (PID output added to frequency reference, deviation D controlled) 4: Enabled (PID output added to frequency reference, feedback D controlled) 5: Mode compatible with setting 1 of similar products from a previous product line 6: Mode compatible with setting 2 of similar products from a previous product line 7: Mode compatible with setting 3 of similar products from a previous product line 8: Mode compatible with setting 4 of similar products from a previous product line  <b>Note:</b> If the drive is replaced with Varispeed F7 drive or a similar product from a previous product line, use settings 5 to 8 instead of settings 1 to 4.	Default: 0 <I> Range: 0 to 8	180
b5-02 (01A6) 	Proportional Gain Setting (P)	PID Gain	<b>All Modes</b> Sets the proportional gain of the PID controller.	Default: 1.00 Min.: 0.00 Max.: 25.00	180
b5-03 (01A7) 	Integral Time Setting (I)	PID I Time	<b>All Modes</b> Sets the integral time for the PID controller.	Default: 1.0 s Min.: 0.0 Max.: 360.0	180
b5-04 (01A8) 	Integral Limit Setting	PID I Limit	<b>All Modes</b> Sets the maximum output possible from the integrator as a percentage of the maximum output frequency.	Default: 100.0% Min.: 0.0 Max.: 100.0	180
b5-05 (01A9) 	Derivative Time (D)	PID D Time	<b>All Modes</b> Sets D control derivative time.	Default: 0.00 s Min.: 0.00 Max.: 10.00	180
b5-06 (01AA) 	PID Output Limit	PID Limit	<b>All Modes</b> Sets the maximum output possible from the entire PID controller as a percentage of the maximum output frequency.	Default: 100.0% Min.: 0.0 Max.: 100.0	180
b5-07 (01AB) 	PID Offset Adjustment	PID Offset	<b>All Modes</b> Applies an offset to the PID controller output. Set as a percentage of the maximum output frequency.	Default: 0.0% Min.: -100.0 Max.: 100.0	181
b5-08 (01AC) 	PID Primary Delay Time Constant	PID Delay Time	<b>All Modes</b> Sets a low pass filter time constant on the output of the PID controller.	Default: 0.00 s Min.: 0.00 Max.: 10.00	181
b5-09 (01AD)	PID Output Level Selection	Output Level Sel 0: Normal Character 1: Rev Character	<b>All Modes</b> 0: Normal output (direct acting) 1: Reverse output (reverse acting)	Default: 0 Range: 0, 1	181
b5-10 (01AE) 	PID Output Gain Setting	Output Gain	<b>All Modes</b> Sets the gain applied to the PID output.	Default: 1.00 Min.: 0.00 Max.: 25.00	181
b5-11 (01AF)	PID Output Reverse Selection	Output Rev Sel 0: 0 limit 1: Reverse	<b>All Modes</b> 0: Negative PID output triggers zero limit. 1: Rotation direction reverses with negative PID output.  <b>Note:</b> When using setting 1, make sure reverse operation is permitted by b1-04.	Default: 0 Range: 0, 1	181



## B.4 b: Application

No. (Addr. Hex)	Name	LCD Display	Description	Values	Page
b5-12 (01B0)	PID Feedback Loss Detection Selection	Fb loss Det Sel 0: Disabled 1: Alarm @ PID Enbl 2: Fault @ PID Enbl 3: DO Only@PID Enbl 4: Alarm @ PID Enbl 5: Fault @ PID Enbl	<b>All Modes</b> 0: No fault. Digital output only. 1: Fault detection. Alarm output, drive continues operation. 2: Fault detection. Fault output, drive output is shut off. 3: No fault. Digital output only. No fault detection when PID control is disabled. 4: Fault detection. Alarm is triggered and drive continues to run. Fault detection even when PID is disabled. 5: Fault detection. Drive output shuts off. No fault detection when PID control is disabled.	Default: 0 Range: 0 to 5	182
b5-13 (01B1)	PID Feedback Low Detection Level	Fb loss Det Lvl	<b>All Modes</b> Sets the PID feedback low detection level as a percentage of the maximum output frequency.	Default: 0% Min.: 0 Max.: 100	182
b5-14 (01B2)	PID Feedback Low Detection Time	Fb loss Det Time	<b>All Modes</b> Sets a delay time for PID feedback loss.	Default: 1.0 s Min.: 0.0 Max.: 25.5	183
b5-15 (01B3)	PID Sleep Function Start Level	PID Sleep Level	<b>All Modes</b> Sets the frequency level that triggers the sleep function.	Default: 0.0 Hz Min.: 0.0 Max.: 400.0	183
b5-16 (01B4)	PID Sleep Delay Time	PID Sleep Time	<b>All Modes</b> Sets a delay time before the sleep function is triggered.	Default: 0.0 s Min.: 0.0 Max.: 25.5	183
b5-17 (01B5)	PID Accel/Decel Time	PID Acc/Dec Time	<b>All Modes</b> Sets the acceleration and deceleration time to PID setpoint.	Default: 0.0 s Min.: 0.0 Max.: 6000.0	184
b5-18 (01DC)	PID Setpoint Selection	PID Setpoint Sel 0: Disabled 1: Enabled	<b>All Modes</b> 0: Disabled 1: Enabled	Default: 0 Range: 0, 1	184
b5-19 (01DD) 	PID Setpoint Value	PID Setpoint	<b>All Modes</b> Sets the PID target value when b5-18 = 1. Set as a percentage of the maximum output frequency.	Default: 0.00% Min.: 0.00 Max.: 100.00	184
b5-20 (01E2)	PID Setpoint Scaling	PID Disp Scaling 0: 0.01Hz units 1: 0.01% units 2: r/min 3: User Units	<b>All Modes</b> Sets the units for setting/display b5-19. 0: 0.01 Hz units 1: 0.01% units (100% = max output frequency) 2: r/min (number of motor poles must entered) 3: User-set (set scaling to b5-38 and b5-39)	Default: 1 Range: 0 to 3	184
b5-34 (019F) 	PID Output Lower Limit	PID Out Low Lim	<b>All Modes</b> Sets the minimum output possible from the PID controller as a percentage of the maximum output frequency.	Default: 0.00% Min.: -100.00 Max.: 100.00	184
b5-35 (01A0) 	PID Input Limit	PID Input Limit	<b>All Modes</b> Limits the PID control input (deviation signal) as a percentage of the maximum output frequency. Acts as a bipolar limit.	Default: 1000.0% Min.: 0.0 Max.: 1000.0	184
b5-36 (01A1)	PID Feedback High Detection Level	Fb High Det Lvl	<b>All Modes</b> Sets the PID feedback high detection level as a percentage of the maximum output frequency.	Default: 100% Min.: 0 Max.: 100	183
b5-37 (01A2)	PID Feedback High Detection Time	Fb High Dly Time	<b>All Modes</b> Sets the PID feedback high level detection delay time.	Default: 1.0 s Min.: 0.0 Max.: 25.5	183
b5-38 (01FE)	PID Setpoint User Display	PID UsrDspMaxVal	<b>All Modes</b> Sets the display value of U5-01 and U5-04 when the maximum frequency is output.	Default: <-> Min.: 1 Max.: 60000	185
b5-39 (01FF)	PID Setpoint Display Digits	PID UsrDspDigits 0: No Dec (XXXXX) 1: 1 Dec (XXXX.X) 2: 2 Dec (XXX.XX) 3: 3 Dec (XX.XXX)	<b>All Modes</b> 0: No decimal places 1: One decimal place 2: Two decimal places 3: Three decimal places	Default: <-> Range: 0 to 3	185





No. (Addr. Hex)	Name	LCD Display	Description	Values	Page
b5-40 (017F)	Frequency Reference Monitor Content during PID	Fref Mon Sel@PID 0: Fref Mon w PID 1: Fref Mon w/o PID	<b>All Modes</b> 0: Display the frequency reference (U1-01) after PID compensation has been added. 1: Display the frequency reference (U1-01) before PID compensation has been added.	Default: 0 Range: 0, 1	185
b5-47 (017D)	Reverse Operation Selection 2	Output Rev Sel2 0: 0 limit 1: Reverse	<b>All Modes</b> Reverse operation selection when b5-01 = 3 or 4. 0: Zero limit when PID output is a negative value. 1: Reverse operation when PID output is a negative value (Zero limit if the reverse operation is prohibited by b1-04).	Default: 1 Range: 0, 1	185

- <1> Default setting is determined by parameter o2-04, Drive Model Selection.
- <2> Default setting is determined by parameter b5-20, PID Setpoint Scaling.

◆ b6: Dwell Function

No. (Addr. Hex)	Name	LCD Display	Description	Values	Page
b6-01 (01B6)	Dwell Reference at Start	Dwell Ref @Start	<b>All Modes</b> Parameters b6-01 and b6-02 set the frequency to hold and the time to maintain that frequency at start.	Default: 0.0 Hz Min.: 0.0 Max.: 400.0	187
b6-02 (01B7)	Dwell Time at Start	Dwell Time@Start		Default: 0.0 s Min.: 0.0 Max.: 10.0	187
b6-03 (01B8)	Dwell Reference at Stop	Dwell Ref @Stop	<b>All Modes</b> Parameters b6-03 and b6-04 set the frequency to hold and the time to maintain that frequency at stop.	Default: 0.0 Hz Min.: 0.0 Max.: 400.0	187
b6-04 (01B9)	Dwell Time at Stop	Dwell Time @Stop		Default: 0.0 s Min.: 0.0 Max.: 10.0	187

◆ b7: Droop Control

No. (Addr. Hex)	Name	LCD Display	Description	Values	Page
b7-01 (01CA) 	Droop Control Gain	DROOP Quantity	<div style="display: flex; justify-content: space-between; font-size: small;"> <span>V/f</span> <span>V/f w PG</span> <span>OLV</span> <span><b>CLV</b></span> </div> <div style="display: flex; justify-content: space-between; font-size: small;"> <span>OLV/PM</span> <span>AOLV/PM</span> <span><b>CLV/PM</b></span> </div> Sets the speed reduction gain applied at a torque reference of 100%. Set as a percentage of motor base speed.	Default: 0.0% Min.: 0.0 Max.: 100.0	187
b7-02 (01CB) 	Droop Control Delay Time	DROOP Delay Time	<div style="display: flex; justify-content: space-between; font-size: small;"> <span>V/f</span> <span>V/f w PG</span> <span>OLV</span> <span><b>CLV</b></span> </div> <div style="display: flex; justify-content: space-between; font-size: small;"> <span>OLV/PM</span> <span>AOLV/PM</span> <span><b>CLV/PM</b></span> </div> Adjusts the responsiveness of Droop Control.	Default: 0.05 s Min.: 0.03 Max.: 2.00	188
b7-03 (017E)	Droop Control Limit Selection	Droop Limit Sel 0: Disabled 1: Enabled	<div style="display: flex; justify-content: space-between; font-size: small;"> <span>V/f</span> <span>V/f w PG</span> <span>OLV</span> <span><b>CLV</b></span> </div> <div style="display: flex; justify-content: space-between; font-size: small;"> <span>OLV/PM</span> <span>AOLV/PM</span> <span><b>CLV/PM</b></span> </div> 0: Disabled 1: Enabled	Default: 1 Range: 0, 1	188

◆ b8: Energy Saving

No. (Addr. Hex)	Name	LCD Display	Description	Values	Page
b8-01 (01CC)	Energy Saving Control Selection	Energy Save Sel 0: Disabled 1: Enabled	<input checked="" type="radio"/> V/f <input checked="" type="radio"/> V/f w PG <input type="radio"/> OLV <input type="radio"/> CLV <input type="radio"/> OLV/PM <input type="radio"/> AOLV/PM <input type="radio"/> CLV/PM 0: Disabled 1: Enabled	Default: <1> Range: 0, 1	188
b8-02 (01CD) 	Energy Saving Gain	Energy Save Gain	<input type="radio"/> V/f <input type="radio"/> V/f w PG <input checked="" type="radio"/> OLV <input checked="" type="radio"/> CLV <input type="radio"/> OLV/PM <input type="radio"/> AOLV/PM <input type="radio"/> CLV/PM Sets the gain used for Energy Saving.	Default: <1> Min.: 0.0 Max.: 10.0	188
b8-03 (01CE) 	Energy Saving Control Filter Time Constant	Energy Save F.T	<input type="radio"/> V/f <input type="radio"/> V/f w PG <input checked="" type="radio"/> OLV <input checked="" type="radio"/> CLV <input type="radio"/> OLV/PM <input type="radio"/> AOLV/PM <input type="radio"/> CLV/PM Sets a time constant for Energy Saving.	Default: <2> Min.: 0.00 s Max.: 10.00 s	189
b8-04 (01CF)	Energy Saving Coefficient Value	Energy Save COEF	<input checked="" type="radio"/> V/f <input checked="" type="radio"/> V/f w PG <input type="radio"/> OLV <input type="radio"/> CLV <input type="radio"/> OLV/PM <input type="radio"/> AOLV/PM <input type="radio"/> CLV/PM Determines the level of maximum motor efficiency. Setting range is 0.0 to 2000.0 for drives 3.7 kW and smaller. The display resolution depends on the rated output current after the Drive Duty has been set in parameter C6-01. <i>Refer to Model Number and Nameplate Check on page 34.</i>	Default: <3> <4> Min.: 0.00 Max.: 655.00	189
b8-05 (01D0)	Power Detection Filter Time	kW Filter Time	<input checked="" type="radio"/> V/f <input checked="" type="radio"/> V/f w PG <input type="radio"/> OLV <input type="radio"/> CLV <input type="radio"/> OLV/PM <input type="radio"/> AOLV/PM <input type="radio"/> CLV/PM Sets a time constant filter for output power detection.	Default: 20 ms Min.: 0 Max.: 2000	189
b8-06 (01D1)	Search Operation Voltage Limit	Search V Limit	<input checked="" type="radio"/> V/f <input checked="" type="radio"/> V/f w PG <input type="radio"/> OLV <input type="radio"/> CLV <input type="radio"/> OLV/PM <input type="radio"/> AOLV/PM <input type="radio"/> CLV/PM Sets the limit for the voltage search operation as a percentage of the motor rated voltage.	Default: 0% Min.: 0 Max.: 100	189
b8-16 (01F8)	Energy Saving Parameter (Ki) for PM Motors	PM Enrgy Save Ki	<input type="radio"/> V/f <input type="radio"/> V/f w PG <input type="radio"/> OLV <input type="radio"/> CLV <input type="radio"/> OLV/PM <input checked="" type="radio"/> AOLV/PM <input checked="" type="radio"/> CLV/PM Coefficient to adjust torque linearity. Set to the Ki value on the motor nameplate. When parameter E5-01, Motor Code Selection (for PM Motors), is set to 1□□□ or 2□□□, the automatically calculated value will be set. This set value cannot be changed.	Default: 1.00 Min.: 0.00 Max.: 3.00	189
b8-17 (01F9)	Energy Saving Parameter (Kt) for PM Motors	PM Enrgy Save Kt	<input type="radio"/> V/f <input type="radio"/> V/f w PG <input type="radio"/> OLV <input type="radio"/> CLV <input type="radio"/> OLV/PM <input checked="" type="radio"/> AOLV/PM <input checked="" type="radio"/> CLV/PM Coefficient to adjust torque linearity. Set to the Kt value on the motor nameplate. When parameter E5-01, Motor Code Selection (for PM Motors), is set to 1□□□ or 2□□□, the automatically calculated value will be set. This set value cannot be changed.	Default: 1.00 Min.: 0.00 Max.: 3.00	189

- <1> Default setting is determined by parameter A1-02, Control Method Selection.
- <2> Default setting is determined by parameters A1-02, Control Method Selection, and o2-04, Drive Model Selection.
- <3> Default setting is determined by parameters o2-04, Drive Model Selection, and C6-01, Drive Duty Selection.
- <4> Parameter value changes automatically if E2-11 is manually changed or changed by Auto-Tuning.






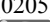


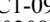
◆ b9: Zero Servo

No. (Addr. Hex)	Name	LCD Display	Description	Values	Page
b9-01 (01DA)	Zero Servo Gain	Zero Servo Gain	<input type="radio"/> V/f <input type="radio"/> V/f w PG <input type="radio"/> OLV <input checked="" type="radio"/> CLV <input type="radio"/> OLV/PM <input type="radio"/> AOLV/PM <input checked="" type="radio"/> CLV/PM Sets the position loop gain for the Zero Servo function.	Default: 5 Min.: 0 Max.: 100	190
b9-02 (01DB)	Zero Servo Completion Width	Zero Servo Count	<input type="radio"/> V/f <input type="radio"/> V/f w PG <input type="radio"/> OLV <input checked="" type="radio"/> CLV <input type="radio"/> OLV/PM <input type="radio"/> AOLV/PM <input checked="" type="radio"/> CLV/PM Sets the range to trigger an output terminal set for “Zero Servo Complete” during Zero Servo operation.	Default: 10 Min.: 0 Max.: 16383	190

## B.5 C: Tuning

C parameters are used to adjust the acceleration and deceleration times, S-curves, torque compensation, and carrier frequency selections.

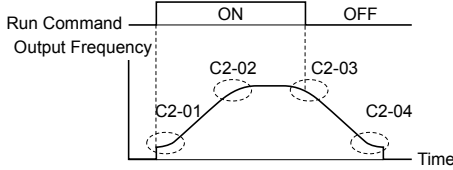
### ◆ C1: Acceleration and Deceleration Times

No. (Addr. Hex)	Name	LCD Display	Description	Values	Page
C1-01 (0200) 	Acceleration Time 1	Accel Time 1	<b>All Modes</b> Sets the time to accelerate from 0 to maximum frequency.	Default: 10.0 s Min.: 0.0 Max.: 6000.0 <1>	191
C1-02 (0201) 	Deceleration Time 1	Decel Time 1	<b>All Modes</b> Sets the time to decelerate from maximum frequency to 0.	Default: 10.0 s Min.: 0.0 Max.: 6000.0 <1>	191
C1-03 (0202) 	Acceleration Time 2	Accel Time 2	<b>All Modes</b> Sets the time to accelerate from 0 to maximum frequency.	Default: 10.0 s Min.: 0.0 Max.: 6000.0 <1>	191
C1-04 (0203) 	Deceleration Time 2	Decel Time 2	<b>All Modes</b> Sets the time to decelerate from maximum frequency to 0.	Default: 10.0 s Min.: 0.0 Max.: 6000.0 <1>	191
C1-05 (0204) 	Acceleration Time 3 (Motor 2 Accel Time 1)	Accel Time 3	<b>All Modes</b> Sets the time to accelerate from 0 to maximum frequency.	Default: 10.0 s Min.: 0.0 Max.: 6000.0 <1>	191
C1-06 (0205) 	Deceleration Time 3 (Motor 2 Decel Time 1)	Decel Time 3	<b>All Modes</b> Sets the time to decelerate from maximum frequency to 0.	Default: 10.0 s Min.: 0.0 Max.: 6000.0 <1>	191
C1-07 (0206) 	Acceleration Time 4 (Motor 2 Accel Time 2)	Accel Time 4	<b>All Modes</b> Sets the time to accelerate from 0 to maximum frequency.	Default: 10.0 s Min.: 0.0 Max.: 6000.0 <1>	191
C1-08 (0207) 	Deceleration Time 4 (Motor 2 Decel Time 2)	Decel Time 4	<b>All Modes</b> Sets the time to decelerate from maximum frequency to 0.	Default: 10.0 s Min.: 0.0 Max.: 6000.0 <1>	191
C1-09 (0208) 	Fast Stop Time	Fast Stop Time	<b>All Modes</b> Sets the time for the Fast Stop function.	Default: 10.0 s Min.: 0.0 Max.: 6000.0 <1>	192
C1-10 (0209)	Accel/Decel Time Setting Units	Acc/Dec Units 0: 0.01 Seconds 1: 0.1 Seconds	<b>All Modes</b> 0: 0.01 s (0.00 to 600.00 s) 1: 0.1 s (0.0 to 6000.0 s)	Default: 1 Range: 0, 1	192
C1-11 (020A)	Accel/Decel Time Switching Frequency	Acc/Dec SW Freq	<b>All Modes</b> Sets the frequency to switch between accel/decel time settings	Default: <2> Min.: 0.0 Hz Max.: 400.0 Hz	193

<1> Setting range value is determined by parameter C1-10, Accel/Decel Time Setting Units. When C1-10 = 0 (units of 0.01 seconds), the setting range becomes 0.00 to 600.00 seconds.

<2> Default setting is determined by parameter A1-02, Control Method Selection.

◆ C2: S-Curve Characteristics

No. (Addr. Hex)	Name	LCD Display	Description	Values	Page
C2-01 (020B)	S-Curve Characteristic at Accel Start	SCrv Acc @ Start	<p><b>All Modes</b></p> <p>The S-curve can be controlled at the four points shown below.</p> 	Default: 0.20 s <1> Min.: 0.00 Max.: 10.00	193
C2-02 (020C)	S-Curve Characteristic at Accel End	SCrv Acc @ End		Default: 0.20 s Min.: 0.00 Max.: 10.00	193
C2-03 (020D)	S-Curve Characteristic at Decel Start	SCrv Dec @ Start		Default: 0.20 s Min.: 0.00 Max.: 10.00	193
C2-04 (020E)	S-Curve Characteristic at Decel End	SCrv Dec @ End		Default: 0.00 s Min.: 0.00 Max.: 10.00	193

<1> Default setting is determined by parameter A1-02, Control Method Selection.

◆ C3: Slip Compensation

No. (Addr. Hex)	Name	LCD Display	Description	Values	Page
C3-01 (020F) RUN	Slip Compensation Gain	Slip Comp Gain	<p><b>V/f</b> <b>V/f w PG</b> <b>OLV</b> <b>CLV</b></p> <p>OLV/PM AOLV/PM CLV/PM</p> <p>Sets the gain for the motor slip compensation function used for motor 1.</p>	Default: <1> Min.: 0.0 Max.: 2.5	193
C3-02 (0210) RUN	Slip Compensation Primary Delay Time	Slip Comp Time	<p><b>V/f</b> <b>V/f w PG</b> <b>OLV</b> <b>CLV</b></p> <p>OLV/PM AOLV/PM CLV/PM</p> <p>Adjusts the slip compensation function delay time used for motor 1.</p>	Default: <1> Min.: 0 ms Max.: 10000 ms	194
C3-03 (0211)	Slip Compensation Limit	Slip Comp Limit	<p><b>V/f</b> <b>V/f w PG</b> <b>OLV</b> <b>CLV</b></p> <p>OLV/PM AOLV/PM CLV/PM</p> <p>Sets an upper limit for the slip compensation function as a percentage of motor rated slip for motor 1 (E2-02).</p>	Default: 200% Min.: 0 Max.: 250	194
C3-04 (0212)	Slip Compensation Selection during Regeneration	Slip Comp Regen	<p><b>V/f</b> <b>V/f w PG</b> <b>OLV</b> <b>CLV</b></p> <p>OLV/PM AOLV/PM CLV/PM</p> <p>0: Disabled. 1: Enabled above 6 Hz. 2: Enabled whenever slip compensation is possible.</p>	Default: 0 Range: 0 to 2	194
C3-05 (0213)	Output Voltage Limit Operation Selection	Output V Lim Sel	<p><b>V/f</b> <b>V/f w PG</b> <b>OLV</b> <b>CLV</b></p> <p>OLV/PM AOLV/PM CLV/PM</p> <p>0: Disabled. 1: Enabled. Automatically decreases motor flux when output voltage saturation is reached.</p>	Default: 0 Range: 0, 1	194
C3-21 (033E) RUN	Motor 2 Slip Compensation Gain	SlpCmp Gain Mtr2	<p><b>V/f</b> <b>V/f w PG</b> <b>OLV</b> <b>CLV</b></p> <p>OLV/PM AOLV/PM CLV/PM</p> <p>Sets the slip compensation gain used for motor 2.</p>	Default: <1> Min.: 0.0 Max.: 2.5	195
C3-22 (0241) RUN	Motor 2 Slip Compensation Primary Delay Time	Slip Comp Time 2	<p><b>V/f</b> <b>V/f w PG</b> <b>OLV</b> <b>CLV</b></p> <p>OLV/PM AOLV/PM CLV/PM</p> <p>Sets the slip compensation delay time used for motor 2.</p>	Default: <1> Min.: 0 ms Max.: 10000 ms	195
C3-23 (0242)	Motor 2 Slip Compensation Limit	Silp Comp Limit2	<p><b>V/f</b> <b>V/f w PG</b> <b>OLV</b> <b>CLV</b></p> <p>OLV/PM AOLV/PM CLV/PM</p> <p>Sets the upper limit for the slip compensation function for motor 2. Set as a percentage of the motor rated slip (E4-02).</p>	Default: 200% Min.: 0 Max.: 250	195

No. (Addr. Hex)	Name	LCD Display	Description	Values	Page
C3-24 (0243)	Motor 2 Slip Compensation Selection During Regeneration	RegenSlpComp2 0: Disabled 1: Above 6 Hz 2: Lowest possible speed	<input type="radio"/> V/f <input type="radio"/> V/f w PG <input checked="" type="radio"/> OLV <input type="radio"/> CLV <input type="radio"/> OLV/PM <input type="radio"/> AOLV/PM <input type="radio"/> CLV/PM 0: Disabled. 1: Enabled above 6 Hz. 2: Enabled whenever slip compensation is possible.	Default: 0 Range: 0 to 2	195

<1> Default setting is determined by parameter A1-02, Control Method Selection.

<2> Default setting is determined by parameter E3-01, Motor 2 Control Mode Selection.

## ◆ C4: Torque Compensation

No. (Addr. Hex)	Name	LCD Display	Description	Values	Page
C4-01 (0215) 	Torque Compensation Gain	Torq Comp Gain	<input type="radio"/> V/f <input type="radio"/> V/f w PG <input checked="" type="radio"/> OLV <input type="radio"/> CLV <input checked="" type="radio"/> OLV/PM <input type="radio"/> AOLV/PM <input type="radio"/> CLV/PM Sets the gain for the automatic torque (voltage) boost function and helps to produce better starting torque. Used for motor 1.	Default: <1> Min.: 0.00 Max.: 2.50	196
C4-02 (0216) 	Torque Compensation Primary Delay Time 1	Torq Comp Time	<input type="radio"/> V/f <input type="radio"/> V/f w PG <input checked="" type="radio"/> OLV <input type="radio"/> CLV <input checked="" type="radio"/> OLV/PM <input type="radio"/> AOLV/PM <input type="radio"/> CLV/PM Sets the torque compensation filter time.	Default: <2> Min.: 0 ms Max.: 60000 ms	196
C4-03 (0217)	Torque Compensation at Forward Start	F TorqCmp@start	<input type="radio"/> V/f <input type="radio"/> V/f w PG <input checked="" type="radio"/> OLV <input type="radio"/> CLV <input type="radio"/> OLV/PM <input type="radio"/> AOLV/PM <input type="radio"/> CLV/PM Sets torque compensation at forward start as a percentage of motor torque.	Default: 0.0% Min.: 0.0 Max.: 200.0	196
C4-04 (0218)	Torque Compensation at Reverse Start	R TorqCmp@start	<input type="radio"/> V/f <input type="radio"/> V/f w PG <input checked="" type="radio"/> OLV <input type="radio"/> CLV <input type="radio"/> OLV/PM <input type="radio"/> AOLV/PM <input type="radio"/> CLV/PM Sets torque compensation at reverse start as a percentage of motor torque.	Default: 0.0% Min.: -200.0 Max.: 0.0	196
C4-05 (0219)	Torque Compensation Time Constant	TorqCmp Delay T	<input type="radio"/> V/f <input type="radio"/> V/f w PG <input checked="" type="radio"/> OLV <input type="radio"/> CLV <input type="radio"/> OLV/PM <input type="radio"/> AOLV/PM <input type="radio"/> CLV/PM Sets the time constant for torque compensation at forward start and reverse start (C4-03 and C4-04).	Default: 10 ms Min.: 0 Max.: 200	197
C4-07 (0341) 	Motor 2 Torque Compensation Gain	TrqCmp Gain Mtr2	<input type="radio"/> V/f <input type="radio"/> V/f w PG <input checked="" type="radio"/> OLV <input type="radio"/> CLV <input type="radio"/> OLV/PM <input type="radio"/> AOLV/PM <input type="radio"/> CLV/PM Sets the torque compensation gain used for motor 2.	Default: 1.00 Min.: 0.00 Max.: 2.50	197

<1> Default setting is determined by parameter A1-02, Control Method Selection.

<2> Default setting is determined by parameters A1-02, Control Method Selection, and o2-04, Drive Model Selection.

## ◆ C5: Automatic Speed Regulator (ASR)

No. (Addr. Hex)	Name	LCD Display	Description	Values	Page
C5-01 (021B) 	ASR Proportional Gain 1	ASR P Gain 1	<input type="radio"/> V/f <input checked="" type="radio"/> V/f w PG <input type="radio"/> OLV <input checked="" type="radio"/> CLV <input type="radio"/> OLV/PM <input checked="" type="radio"/> AOLV/PM <input checked="" type="radio"/> CLV/PM Sets the proportional gain of the speed control loop (ASR).	Default: <1> Min.: 0.00 Max.: 300.00 <2>	199
C5-02 (021C) 	ASR Integral Time 1	ASR I Time 1	<input type="radio"/> V/f <input checked="" type="radio"/> V/f w PG <input type="radio"/> OLV <input checked="" type="radio"/> CLV <input type="radio"/> OLV/PM <input checked="" type="radio"/> AOLV/PM <input checked="" type="radio"/> CLV/PM Sets the integral time of the speed control loop (ASR).	Default: <1> Min.: 0.000 s Max.: 10.000 s	199
C5-03 (021D) 	ASR Proportional Gain 2	ASR P Gain 2	<input type="radio"/> V/f <input checked="" type="radio"/> V/f w PG <input type="radio"/> OLV <input checked="" type="radio"/> CLV <input type="radio"/> OLV/PM <input checked="" type="radio"/> AOLV/PM <input checked="" type="radio"/> CLV/PM Sets the speed control gain 2 of the speed control loop (ASR).	Default: <1> Min.: 0.00 Max.: 300.00 <2>	199

## B.5 C: Tuning

No. (Addr. Hex)	Name	LCD Display	Description	Values	Page
C5-04 (021E) 	ASR Integral Time 2	ASR I Time 2	<div style="display: flex; justify-content: space-between; align-items: center;"> <span>V/f</span> <span>V/f w PG</span> <span>OLV</span> <span>CLV</span> </div> <div style="display: flex; justify-content: space-between; align-items: center;"> <span>OLV/PM</span> <span>AOLV/PM</span> <span>CLV/PM</span> </div> <p>Sets the integral time 2 of the speed control loop (ASR).</p>	Default: <f> Min.: 0.000 s Max.: 10.000 s	199
C5-05 (021F)	ASR Limit	ASR Limit	<div style="display: flex; justify-content: space-between; align-items: center;"> <span>V/f</span> <span>V/f w PG</span> <span>OLV</span> <span>CLV</span> </div> <div style="display: flex; justify-content: space-between; align-items: center;"> <span>OLV/PM</span> <span>AOLV/PM</span> <span>CLV/PM</span> </div> <p>Sets the upper limit for the speed control loop (ASR) as a percentage of the maximum output frequency (E1-04).</p>	Default: 5.0% Min.: 0.0 Max.: 20.0	200
C5-06 (0220)	ASR Primary Delay Time Constant	ASR Delay Time	<div style="display: flex; justify-content: space-between; align-items: center;"> <span>V/f</span> <span>V/f w PG</span> <span>OLV</span> <span>CLV</span> </div> <div style="display: flex; justify-content: space-between; align-items: center;"> <span>OLV/PM</span> <span>AOLV/PM</span> <span>CLV/PM</span> </div> <p>Sets the filter time constant for the time from the speed loop to the torque command output.</p>	Default: <f> Min.: 0.000 s Max.: 0.500 s	200
C5-07 (0221)	ASR Gain Switching Frequency	ASR Gain Switch	<div style="display: flex; justify-content: space-between; align-items: center;"> <span>V/f</span> <span>V/f w PG</span> <span>OLV</span> <span>CLV</span> </div> <div style="display: flex; justify-content: space-between; align-items: center;"> <span>OLV/PM</span> <span>AOLV/PM</span> <span>CLV/PM</span> </div> <p>Sets the frequency for switching between proportional gain 1, 2 and integral time 1, 2.</p>	Default: 0.0 Hz Min.: 0.0 Max.: 400.0	200
C5-08 (0222)	ASR Integral Limit	ASR I Limit	<div style="display: flex; justify-content: space-between; align-items: center;"> <span>V/f</span> <span>V/f w PG</span> <span>OLV</span> <span>CLV</span> </div> <div style="display: flex; justify-content: space-between; align-items: center;"> <span>OLV/PM</span> <span>AOLV/PM</span> <span>CLV/PM</span> </div> <p>Sets the ASR integral upper limit as a percentage of rated load torque.</p>	Default: 400% Min.: 0 Max.: 400	200
C5-12 (0386)	Integral Operation during Accel/Decel	Acc/Dec I Sel	<div style="display: flex; justify-content: space-between; align-items: center;"> <span>V/f</span> <span>V/f w PG</span> <span>OLV</span> <span>CLV</span> </div> <div style="display: flex; justify-content: space-between; align-items: center;"> <span>OLV/PM</span> <span>AOLV/PM</span> <span>CLV/PM</span> </div> <p>0: Disabled. Integral functions are enabled only during constant speed. 1: Enabled. Integral functions are always enabled, during accel/ decel and during constant speed.</p>	Default: 0 Range: 0, 1	200
C5-17 (0276)	Motor Inertia	Motor Inertia	<div style="display: flex; justify-content: space-between; align-items: center;"> <span>V/f</span> <span>V/f w PG</span> <span>OLV</span> <span>CLV</span> </div> <div style="display: flex; justify-content: space-between; align-items: center;"> <span>OLV/PM</span> <span>AOLV/PM</span> <span>CLV/PM</span> </div> <p>Sets the motor inertia. This value is automatically set during ASR or Inertia Auto-Tuning.</p>	Default: <f> <f> Min.: 0.0001 kgm <sup>2</sup> Max.: 600.00 kgm <sup>2</sup>	201
C5-18 (0277)	Load Inertia Ratio	Load Inertia	<div style="display: flex; justify-content: space-between; align-items: center;"> <span>V/f</span> <span>V/f w PG</span> <span>OLV</span> <span>CLV</span> </div> <div style="display: flex; justify-content: space-between; align-items: center;"> <span>OLV/PM</span> <span>AOLV/PM</span> <span>CLV/PM</span> </div> <p>Sets the ratio between the motor and load inertia. This value is automatically set during ASR or Inertia Auto-Tuning.</p>	Default: 1.0 Min.: 0.0 Max.: 6000.0	201
C5-21 (0356) 	Motor 2 ASR Proportional Gain 1	ASR P Gain1 Mtr2	<div style="display: flex; justify-content: space-between; align-items: center;"> <span>V/f</span> <span>V/f w PG</span> <span>OLV</span> <span>CLV</span> </div> <div style="display: flex; justify-content: space-between; align-items: center;"> <span>OLV/PM</span> <span>AOLV/PM</span> <span>CLV/PM</span> </div> <p>Sets the proportional gain of the speed control loop (ASR) for motor 2.</p>	Default: <f> Min.: 0.00 Max.: 300.00 <f>	201
C5-22 (0357) 	Motor 2 ASR Integral Time 1	ASR I Time1 Mtr2	<div style="display: flex; justify-content: space-between; align-items: center;"> <span>V/f</span> <span>V/f w PG</span> <span>OLV</span> <span>CLV</span> </div> <div style="display: flex; justify-content: space-between; align-items: center;"> <span>OLV/PM</span> <span>AOLV/PM</span> <span>CLV/PM</span> </div> <p>Sets the integral time of the speed control loop (ASR) for motor 2.</p>	Default: <f> Min.: 0.000 s Max.: 10.000 s	201
C5-23 (0358) 	Motor 2 ASR Proportional Gain 2	ASR P Gain2 Mtr2	<div style="display: flex; justify-content: space-between; align-items: center;"> <span>V/f</span> <span>V/f w PG</span> <span>OLV</span> <span>CLV</span> </div> <div style="display: flex; justify-content: space-between; align-items: center;"> <span>OLV/PM</span> <span>AOLV/PM</span> <span>CLV/PM</span> </div> <p>Sets the speed control gain 2 of the speed control loop (ASR) for motor 2.</p>	Default: <f> Min.: 0.00 Max.: 300.00 <f>	201
C5-24 (0359) 	Motor 2 ASR Integral Time 2	ASR I Time2 Mtr2	<div style="display: flex; justify-content: space-between; align-items: center;"> <span>V/f</span> <span>V/f w PG</span> <span>OLV</span> <span>CLV</span> </div> <div style="display: flex; justify-content: space-between; align-items: center;"> <span>OLV/PM</span> <span>AOLV/PM</span> <span>CLV/PM</span> </div> <p>Sets the integral time 2 of the speed control loop (ASR) for motor 2.</p>	Default: <f> Min.: 0.000 s Max.: 10.000 s	201
C5-25 (035A)	Motor 2 ASR Limit	ASR Limit Mtr2	<div style="display: flex; justify-content: space-between; align-items: center;"> <span>V/f</span> <span>V/f w PG</span> <span>OLV</span> <span>CLV</span> </div> <div style="display: flex; justify-content: space-between; align-items: center;"> <span>OLV/PM</span> <span>AOLV/PM</span> <span>CLV/PM</span> </div> <p>Sets the upper limit for the speed control loop (ASR) for motor 2 as a percentage of the maximum output frequency (E3-04).</p>	Default: 5.0% Min.: 0.0 Max.: 20.0	201



No. (Addr. Hex)	Name	LCD Display	Description	Values	Page
C5-26 (035B)	Motor 2 ASR Primary Delay Time Constant	ASR Dly Time 2	<p>V/f V/f w PG OLV <b>CLV</b></p> <p>OLV/PM AOLV/PM CLV/PM</p> <p>Sets the filter time constant for the time from the speed loop to the torque command output used for motor 2.</p>	Default: <5> Min.: 0.000 s Max.: 0.500 s	201
C5-27 (035C)	Motor 2 ASR Gain Switching Frequency	ASRGainSwitch2	<p>V/f V/f w PG OLV <b>CLV</b></p> <p>OLV/PM <b>AOLV/PM</b> <b>CLV/PM</b></p> <p>Sets the frequency for motor 2 used to switch between proportional gain 1 and 2, and between the integral time 1 and 2.</p>	Default: 0.0 Hz Min.: 0.0 Max.: 400.0	201
C5-28 (035D)	Motor 2 ASR Integral Limit	ASR I limit 2	<p>V/f V/f w PG OLV <b>CLV</b></p> <p>OLV/PM AOLV/PM CLV/PM</p> <p>Sets the ASR integral upper limit for motor 2 as a percentage of rated load torque.</p>	Default: 400% Min.: 0 Max.: 400	201
C5-32 (0361)	Integral Operation during Accel/Decel for Motor 2	Acc/Dec I Sel 2 0: Disabled 1: Enabled	<p>V/f <b>V/f w PG</b> OLV CLV</p> <p>OLV/PM AOLV/PM CLV/PM</p> <p>0: Disabled. Integral functions for motor 2 are enabled only during constant speed. 1: Enabled. Integral functions are always enabled for motor 2, during accel/decel and during constant speed.</p>	Default: 0 Range: 0, 1	202
C5-37 (0278)	Motor 2 Inertia	Motor Inertia 2	<p>V/f V/f w PG OLV <b>CLV</b></p> <p>OLV/PM AOLV/PM CLV/PM</p> <p>Sets the inertia of motor 2 alone without the load. This value is automatically set during ASR or Inertia Auto-Tuning.</p>	Default: <3> <4> Min.: 0.0001 kgm <sup>2</sup> Max.: 600.00 kgm <sup>2</sup>	202
C5-38 (0279)	Motor 2 Load Inertia Ratio	Load Inertia 2	<p>V/f V/f w PG OLV <b>CLV</b></p> <p>OLV/PM AOLV/PM CLV/PM</p> <p>Sets the ratio between the motor 2 and machine inertia. This value is automatically set during ASR or Inertia Auto-Tuning.</p>	Default: 1.0 Min.: 0.0 Max.: 6000.0	202

- <1> Default setting is determined by parameter A1-02, Control Method Selection.
- <2> The setting range is 1.00 to 300.00 in CLV and AOLV/PM control modes.
- <3> Default setting is dependent on parameter E5-01, Motor Code Selection.
- <4> Default setting is dependent on parameters C6-01, Drive Duty Selection, and o2-04, Drive Model Selection.
- <5> Default setting is determined by parameter E3-01, Motor 2 Control Mode Selection.

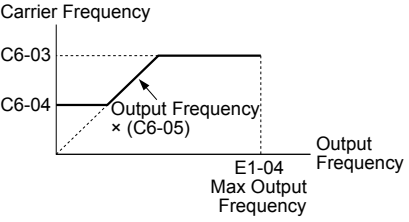
### ◆ C6: Carrier Frequency

No. (Addr. Hex)	Name	LCD Display	Description	Values	Page
C6-01 (0223)	Drive Duty Selection	Heavy/NormalDuty 0: Heavy Duty 1: Normal Duty	<p><b>All Modes</b></p> <p>0: Heavy Duty (HD) Overload capability: 150% of drive rated Heavy Duty current for 60 s Default Carrier Frequency: 2 kHz 1: Normal Duty (ND) Overload capability: 120% of drive rated Normal Duty current for 60 s Default Carrier Frequency: 2 kHz Swing PWM</p>	Default: 1 Range: 0, 1	202
C6-02 (0224)	Carrier Frequency Selection	CarrierFreq Sel 1: Fc=4.0 kHz 2: Fc=6.0 kHz 3: Fc=8.0 kHz 4: Fc=10.0 kHz F: Program	<p><b>All Modes</b></p> <p>1: 4.0 kHz 2: 6.0 kHz 3: 8.0 kHz 4: 10.0 kHz F: User-defined (determined by C6-03 to C6-05)</p> <p><b>Note:</b> Setting F is not available when A1-02 = 6 (AOLV/PM).</p>	Default: <1> Range: 1 to 4; F	203

Parameter List

**B**

## B.5 C: Tuning

No. (Addr. Hex)	Name	LCD Display	Description	Values	Page
C6-03 (0225)	Carrier Frequency Upper Limit	CarrierFreq Max	<b>All Modes</b> <b>Note:</b> C6-04 and C6-05 are available only in V/f and V/f w/PG control modes.	Default: <2> Min.: 4.0 kHz Max.: 10.0 kHz	203
C6-04 (0226)	Carrier Frequency Lower Limit	CarrierFreq Min	Determines the upper and lower limits for the carrier frequency. In OLV, C6-03 determines the upper limit of the carrier frequency. 	Default: <2> Min.: 4.0 kHz Max.: 10.0 kHz	203
C6-05 (0227)	Carrier Frequency Proportional Gain	CarrierFreq Gain		Default: <2> Min.: 0 Max.: 99	203
C6-09 (022B)	Carrier Frequency during Rotational Auto-Tuning	Carrier in tune 0: Fc = 5kHz 1: Fc = C6-03	<div style="display: flex; justify-content: space-around; font-size: small;"> <span>V/f</span> <span>V/f w PG</span> <span><b>OLV</b></span> <span><b>CLV</b></span> </div> <div style="display: flex; justify-content: space-around; font-size: small;"> <span><b>OLV/PM</b></span> <span><b>AOLV/PM</b></span> <span><b>CLV/PM</b></span> </div> 0: Carrier Frequency = 4 kHz. In PM control modes, this value is 2 kHz. 1: Setting value for C6-03. In PM control modes, this value is the carrier frequency set in C6-02.	Default: 0 Range: 0, 1	204

<1> Default setting value is determined by parameters A1-02, Control Method Selection, C6-01, Drive Duty Selection, and o2-04, Drive Model Selection.

<2> Default setting value is determined by parameter C6-02, Carrier Frequency Selection.

## ◆ C7: Voltage Adjustment









No. (Addr. Hex)	Name	LCD Display	Description	Values	Page
C7-43 (112A)	Input Voltage Offset Adjustment	InputVolt Offset	<b>All Modes</b> Adjusts the offset for the input voltage circuit when the control board is replaced. 0000: Standard 0002: Offset adjustment not required	Default: 0000 Range: 0000 to 9999	204
C7-56 (1107)	Power Factor Control Selection	PF Control Sel 0: PF Ctrl Disabled 1: PF Ctrl Enabled	<b>All Modes</b> 0: Power factor control disabled 1: Power factor control enabled	Default: 0 Range: 0, 1	204
C7-60 (0B1C)	Output Voltage Limit Mode Selection	V Out Limit Sel 0: Limit Harmonics 1: Improve PF	<b>All Modes</b> 0: Harmonic suppression priority mode 1: High output voltage mode	Default: 1 Range: 0, 1	204






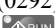
## B.6 d: Reference Settings

Reference parameters set the various frequency reference values during operation.

### ◆ d1: Frequency Reference

No. (Addr. Hex)	Name	LCD Display	Description	Values	Page
d1-01 (0280) 	Frequency Reference 1	Reference 1	<p><b>All Modes</b></p> <p>Sets the frequency reference for the drive. Setting units are determined by parameter o1-03.</p> <p><b>Note:</b> The value set to o1-03 is changed to 1 and the unit is changed to percentage automatically when A1-02 is set to 6 or 7.</p>	Default: 0.00 Hz Min.: 0.00 Max.: 400.00 </> <2>	205
d1-02 (0281) 	Frequency Reference 2	Reference 2	<p><b>All Modes</b></p> <p>Sets the frequency reference for the drive. Setting units are determined by parameter o1-03.</p> <p><b>Note:</b> The value set to o1-03 is changed to 1 and the unit is changed to percentage automatically when A1-02 is set to 6 or 7.</p>	Default: 0.00 Hz Min.: 0.00 Max.: 400.00 </> <2>	205
d1-03 (0282) 	Frequency Reference 3	Reference 3	<p><b>All Modes</b></p> <p>Sets the frequency reference for the drive. Setting units are determined by parameter o1-03.</p> <p><b>Note:</b> The value set to o1-03 is changed to 1 and the unit is changed to percentage automatically when A1-02 is set to 6 or 7.</p>	Default: 0.00 Hz Min.: 0.00 Max.: 400.00 </> <2>	205
d1-04 (0283) 	Frequency Reference 4	Reference 4	<p><b>All Modes</b></p> <p>Sets the frequency reference for the drive. Setting units are determined by parameter o1-03.</p> <p><b>Note:</b> The value set to o1-03 is changed to 1 and the unit is changed to percentage automatically when A1-02 is set to 6 or 7.</p>	Default: 0.00 Hz Min.: 0.00 Max.: 400.00 </> <2>	205
d1-05 (0284) 	Frequency Reference 5	Reference 5	<p><b>All Modes</b></p> <p>Sets the frequency reference for the drive. Setting units are determined by parameter o1-03.</p> <p><b>Note:</b> The value set to o1-03 is changed to 1 and the unit is changed to percentage automatically when A1-02 is set to 6 or 7.</p>	Default: 0.00 Hz Min.: 0.00 Max.: 400.00 </> <2>	205
d1-06 (0285) 	Frequency Reference 6	Reference 6	<p><b>All Modes</b></p> <p>Sets the frequency reference for the drive. Setting units are determined by parameter o1-03.</p> <p><b>Note:</b> The value set to o1-03 is changed to 1 and the unit is changed to percentage automatically when A1-02 is set to 6 or 7.</p>	Default: 0.00 Hz Min.: 0.00 Max.: 400.00 </> <2>	205
d1-07 (0286) 	Frequency Reference 7	Reference 7	<p><b>All Modes</b></p> <p>Sets the frequency reference for the drive. Setting units are determined by parameter o1-03.</p> <p><b>Note:</b> The value set to o1-03 is changed to 1 and the unit is changed to percentage automatically when A1-02 is set to 6 or 7.</p>	Default: 0.00 Hz Min.: 0.00 Max.: 400.00 </> <2>	205
d1-08 (0287) 	Frequency Reference 8	Reference 8	<p><b>All Modes</b></p> <p>Sets the frequency reference for the drive. Setting units are determined by parameter o1-03.</p> <p><b>Note:</b> The value set to o1-03 is changed to 1 and the unit is changed to percentage automatically when A1-02 is set to 6 or 7.</p>	Default: 0.00 Hz Min.: 0.00 Max.: 400.00 </> <2>	205

## B.6 d: Reference Settings

No. (Addr. Hex)	Name	LCD Display	Description	Values	Page
d1-09 (0288) 	Frequency Reference 9	Reference 9	<p><b>All Modes</b></p> <p>Sets the frequency reference for the drive. Setting units are determined by parameter o1-03.</p> <p><b>Note:</b> The value set to o1-03 is changed to 1 and the unit is changed to percentage automatically when A1-02 is set to 6 or 7.</p>	Default: 0.00 Hz Min.: 0.00 Max.: 400.00 <1> <2>	205
d1-10 (028B) 	Frequency Reference 10	Reference 10	<p><b>All Modes</b></p> <p>Sets the frequency reference for the drive. Setting units are determined by parameter o1-03.</p> <p><b>Note:</b> The value set to o1-03 is changed to 1 and the unit is changed to percentage automatically when A1-02 is set to 6 or 7.</p>	Default: 0.00 Hz Min.: 0.00 Max.: 400.00 <1> <2>	205
d1-11 (028C) 	Frequency Reference 11	Reference 11	<p><b>All Modes</b></p> <p>Sets the frequency reference for the drive. Setting units are determined by parameter o1-03.</p> <p><b>Note:</b> The value set to o1-03 is changed to 1 and the unit is changed to percentage automatically when A1-02 is set to 6 or 7.</p>	Default: 0.00 Hz Min.: 0.00 Max.: 400.00 <1> <2>	205
d1-12 (028D) 	Frequency Reference 12	Reference 12	<p><b>All Modes</b></p> <p>Sets the frequency reference for the drive. Setting units are determined by parameter o1-03.</p> <p><b>Note:</b> The value set to o1-03 is changed to 1 and the unit is changed to percentage automatically when A1-02 is set to 6 or 7.</p>	Default: 0.00 Hz Min.: 0.00 Max.: 400.00 <1> <2>	205
d1-13 (028E) 	Frequency Reference 13	Reference 13	<p><b>All Modes</b></p> <p>Sets the frequency reference for the drive. Setting units are determined by parameter o1-03.</p> <p><b>Note:</b> The value set to o1-03 is changed to 1 and the unit is changed to percentage automatically when A1-02 is set to 6 or 7.</p>	Default: 0.00 Hz Min.: 0.00 Max.: 400.00 <1> <2>	205
d1-14 (028F) 	Frequency Reference 14	Reference 14	<p><b>All Modes</b></p> <p>Sets the frequency reference for the drive. Setting units are determined by parameter o1-03.</p> <p><b>Note:</b> The value set to o1-03 is changed to 1 and the unit is changed to percentage automatically when A1-02 is set to 6 or 7.</p>	Default: 0.00 Hz Min.: 0.00 Max.: 400.00 <1> <2>	205
d1-15 (0290) 	Frequency Reference 15	Reference 15	<p><b>All Modes</b></p> <p>Sets the frequency reference for the drive. Setting units are determined by parameter o1-03.</p> <p><b>Note:</b> The value set to o1-03 is changed to 1 and the unit is changed to percentage automatically when A1-02 is set to 6 or 7.</p>	Default: 0.00 Hz Min.: 0.00 Max.: 400.00 <1> <2>	205
d1-16 (0291) 	Frequency Reference 16	Reference 16	<p><b>All Modes</b></p> <p>Sets the frequency reference for the drive. Setting units are determined by parameter o1-03.</p> <p><b>Note:</b> The value set to o1-03 is changed to 1 and the unit is changed to percentage automatically when A1-02 is set to 6 or 7.</p>	Default: 0.00 Hz Min.: 0.00 Max.: 400.00 <1> <2>	205
d1-17 (0292) 	Jog Frequency Reference	Jog Reference	<p><b>All Modes</b></p> <p>Sets the Jog frequency reference. Setting units are determined by parameter o1-03.</p>	Default: 6.00 Hz Min.: 0.00 Max.: 400.00 <1> <2>	205

<1> Range upper limit is determined by parameters d2-01, Frequency Reference Upper Limit, and E1-04, Maximum Output Frequency.

<2> The value of o1-03 is changed to 1 and the unit is also changed to a percentage (%) when the control mode is set to CLV/PM or AOLV/PM.

◆ d2: Frequency Upper/Lower Limits

No. (Addr. Hex.)	Name	LCD Display	Description	Setting	Page
d2-01 (0289)	Frequency Reference Upper Limit	Ref Upper Limit	<b>All Modes</b> Sets the frequency reference upper limit as a percentage of the maximum output frequency.	Default: 100.0% Min.: 0.0 Max.: 110.0	207
d2-02 (028A)	Frequency Reference Lower Limit	Ref Lower Limit	<b>All Modes</b> Sets the frequency reference lower limit as a percentage of the maximum output frequency.	Default: 0.0% Min.: 0.0 Max.: 110.0	207
d2-03 (0293)	Master Speed Reference Lower Limit	Ref1 Lower Limit	<b>All Modes</b> Sets the lower limit for frequency references from analog inputs as a percentage of the maximum output frequency.	Default: 0.0% Min.: 0.0 Max.: 110.0	208


◆ d3: Jump Frequency

No. (Addr. Hex.)	Name	LCD Display	Description	Values	Page
d3-01 (0294)	Jump Frequency 1	Jump Freq 1	<b>All Modes</b> Eliminates problems with resonant vibration of the motor/machine by avoiding continuous operation in predefined frequency ranges. The drive accelerates and decelerates the motor through the prohibited frequency ranges. Setting 0.0 disables this function. Parameters must be set so that $d3-01 \geq d3-02 \geq d3-03$ .	Default: 0.0 Hz <1> <2> Min.: 0.0 <2> Max.: 400.0 <2>	208
d3-02 (0295)	Jump Frequency 2	Jump Freq 2	<b>All Modes</b> Eliminates problems with resonant vibration of the motor/machine by avoiding continuous operation in predefined frequency ranges. The drive accelerates and decelerates the motor through the prohibited frequency ranges. Setting 0.0 disables this function. Parameters must be set so that $d3-01 \geq d3-02 \geq d3-03$ .	Default: 0.0 Hz <1> <2> Min.: 0.0 <2> Max.: 400.0 <2>	208
d3-03 (0296)	Jump Frequency 3	Jump Freq 3	<b>All Modes</b> Eliminates problems with resonant vibration of the motor/machine by avoiding continuous operation in predefined frequency ranges. The drive accelerates and decelerates the motor through the prohibited frequency ranges. Setting 0.0 disables this function. Parameters must be set so that $d3-01 \geq d3-02 \geq d3-03$ .	Default: 0.0 Hz <1> <2> Min.: 0.0 <2> Max.: 400.0 <2>	208
d3-04 (0297)	Jump Frequency Width	Jump Bandwidth	<b>All Modes</b> Sets the dead-band width around each selected prohibited frequency reference point.	Default: 1.0 Hz <1> Min.: 0.0 Max.: 20.0	208

<1> Default setting is determined by parameter A1-02, Control Method Selection.

<2> Default setting is 0.0% and setting range is 0.0 to 100.0% in AOLV/PM and CLV/PM.

◆ d4: Frequency Reference Hold and Up/Down 2 Function

No. (Addr. Hex.)	Name	LCD Display	Description	Values	Page
d4-01 (0298)	Frequency Reference Hold Function Selection	Fref Hold Sel 0: Disabled 1: Enabled	<b>All Modes</b> 0: Disabled. Drive starts from zero when the power is switched on. 1: Enabled. At power up, the drive starts the motor at the Hold frequency that was saved.	Default: 0 Range: 0, 1	209
d4-03 (02AA) 	Frequency Reference Bias Step (Up/Down 2)	Up/Dn 2 Step Lvl	<b>All Modes</b> Sets the bias added to the frequency reference when the Up 2 and Down 2 digital inputs are enabled (H1-□□ = 75, 76).	Default: 0.00 Hz Min.: 0.00 Max.: 99.99	211

## B.6 d: Reference Settings

No. (Addr. Hex)	Name	LCD Display	Description	Values	Page
d4-04 (02AB) 	Frequency Reference Bias Accel/Decel (Up/Down 2)	Up/Dn 2 Ramp Sel 0: Sel Acc/Dec Time 1: Acc/Dec Time 4	<b>All Modes</b> 0: Use selected accel/decel time. 1: Use accel/decel time 4 (C1-07 and C1-08).	Default: 0 Range: 0, 1	212
d4-05 (02AC) 	Frequency Reference Bias Operation Mode Selection (Up/Down 2)	Up/Dn 2 Bias Sel 0: Hold Bias Value 1: Reset Bias Value	<b>All Modes</b> 0: Bias value is held if no input Up 2 or Down 2 is active. 1: When the Up 2 reference and Down 2 reference are both on or both off, the applied bias becomes 0. The specified accel/decel times are used for acceleration or deceleration.	Default: 0 Range: 0, 1	212
d4-06 (02AD)	Frequency Reference Bias (Up/Down 2)	Up/Dn 2 Bias Lvl	<b>All Modes</b> The Up/Down 2 bias value is saved in d4-06 when the frequency reference is not input by the digital operator. Set as a percentage of the maximum output frequency.	Default: 0.0% Min.: -99.9 Max.: 100.0	212
d4-07 (02AE) 	Analog Frequency Reference Fluctuation Limit (Up/Down 2)	Up/Dn 2 FluctLim	<b>All Modes</b> Limits how much the frequency reference is allowed to change while an input terminal set for Up 2 or Down 2 is enabled. If the frequency reference changes for more than the set value, then the bias value is held and the drive accelerates or decelerates to the frequency reference. Set as a percentage of the maximum output frequency.	Default: 1.0% Min.: 0.1 Max.: 100.0	213
d4-08 (02AF) 	Frequency Reference Bias Upper Limit (Up/Down 2)	Up/Dn 2 UpperLim	<b>All Modes</b> Sets the upper limit for the bias and the value that can be saved in d4-06. Set as a percentage of the maximum output frequency.	Default: 100.0% Min.: 0.0 Max.: 100.0	213
d4-09 (02B0) 	Frequency Reference Bias Lower Limit (Up/Down 2)	Up/Dn 2 LowerLim	<b>All Modes</b> Sets the lower limit for the bias and the value that can be saved in d4-06. Set as a percentage of the maximum output frequency.	Default: 0.0% Min.: -99.9 Max.: 0.0	213
d4-10 (02B6)	Up/Down Frequency Reference Limit Selection	Up/Dn LowLim Sel 0: D2-02 or Analog 1: D2-02 Only	<b>All Modes</b> 0: The lower limit is determined by d2-02 or an analog input. 1: The lower limit is determined by d2-02.	Default: 0 Range: 0, 1	213

## ◆ d5: Torque Control

No. (Addr. Hex)	Name	LCD Display	Description	Values	Page
d5-01 (029A)	Torque Control Selection	Torq Control Sel 0: Speed Control 1: Torque Control	 	Default: 0 Range: 0, 1	217
d5-02 (029B)	Torque Reference Delay Time	Tq Ref Dly Time	 	Default: </> Min.: 0 Max.: 1000	217
d5-03 (029C)	Speed Limit Selection	Speed Limit Sel 1: Fref Limit 2: Speed Limit Sel	 	Default: 1 Range: 1, 2	217
d5-04 (029D)	Speed Limit	Speed Limit Val	 	Default: 0% Min.: -120 Max.: 120	218

No. (Addr. Hex)	Name	LCD Display	Description	Values	Page
d5-05 (029E)	Speed Limit Bias	Speed Limit Bias	<div style="display: flex; justify-content: space-between; border-bottom: 1px solid black; margin-bottom: 5px;"> <span>V/f</span> <span>V/f w PG</span> <span>OLV</span> <span><b>CLV</b></span> </div> <div style="display: flex; justify-content: space-between; border-bottom: 1px solid black; margin-bottom: 5px;"> <span>OLV/PM</span> <span>AOLV/PM</span> <span><b>CLV/PM</b></span> </div> <p>Sets the speed limit bias as a percentage of the maximum output frequency. The bias is applied to the specified speed limit and can adjust the margin for the speed limit.</p>	Default: 10% Min.: 0 Max.: 120	218
d5-06 (029F)	Speed/Torque Control Switchover Time	Spd/Trq Sw Timer	<div style="display: flex; justify-content: space-between; border-bottom: 1px solid black; margin-bottom: 5px;"> <span>V/f</span> <span>V/f w PG</span> <span>OLV</span> <span><b>CLV</b></span> </div> <div style="display: flex; justify-content: space-between; border-bottom: 1px solid black; margin-bottom: 5px;"> <span>OLV/PM</span> <span>AOLV/PM</span> <span><b>CLV/PM</b></span> </div> <p>Sets the delay time for switching between Speed and Torque Control using an input terminal (H1-□□ = 71). Reference values are held during this switch delay time.</p>	Default: 0 ms Min.: 0 Max.: 1000	218
d5-08 (02B5)	Unidirectional Speed Limit Bias	UnidirSpdLimBias 0: Disabled 1: Enabled	<div style="display: flex; justify-content: space-between; border-bottom: 1px solid black; margin-bottom: 5px;"> <span>V/f</span> <span>V/f w PG</span> <span>OLV</span> <span><b>CLV</b></span> </div> <div style="display: flex; justify-content: space-between; border-bottom: 1px solid black; margin-bottom: 5px;"> <span>OLV/PM</span> <span>AOLV/PM</span> <span><b>CLV/PM</b></span> </div> <p>0: Disabled 1: Enabled</p>	Default: 1 Range: 0, 1	218

<1> Default setting is determined by parameter A1-02, Control Method Selection.


### ◆ d6: Field Weakening and Field Forcing

No. (Addr. Hex.)	Name	LCD Display	Description	Values	Page
d6-01 (02A0)	Field Weakening Level	Field-Weak Lvl	<div style="display: flex; justify-content: space-between; border-bottom: 1px solid black; margin-bottom: 5px;"> <span><b>V/f</b></span> <span><b>V/f w PG</b></span> <span>OLV</span> <span>CLV</span> </div> <div style="display: flex; justify-content: space-between; border-bottom: 1px solid black; margin-bottom: 5px;"> <span>OLV/PM</span> <span>AOLV/PM</span> <span>CLV/PM</span> </div> <p>Sets the drive output voltage for the Field Weakening function as a percentage of the maximum output voltage. Enabled when a multi-function input is set for Field Weakening (H1-□□ = 63).</p>	Default: 80% Min.: 0 Max.: 100	218
d6-02 (02A1)	Field Weakening Frequency Limit	Fiel-Weak Freq	<div style="display: flex; justify-content: space-between; border-bottom: 1px solid black; margin-bottom: 5px;"> <span>V/f</span> <span><b>V/f w PG</b></span> <span>OLV</span> <span>CLV</span> </div> <div style="display: flex; justify-content: space-between; border-bottom: 1px solid black; margin-bottom: 5px;"> <span>OLV/PM</span> <span>AOLV/PM</span> <span>CLV/PM</span> </div> <p>Sets the lower limit of the frequency range where Field Weakening control is valid. The Field Weakening command is valid only at frequencies above this setting and only when the output frequency matches the frequency reference (speed agree).</p>	Default: 0.0 Hz Min.: 0.0 Max.: 400.0	218
d6-03 (02A2)	Field Forcing Selection	Field Force Sel 0: Disabled 1: Enabled	<div style="display: flex; justify-content: space-between; border-bottom: 1px solid black; margin-bottom: 5px;"> <span>V/f</span> <span>V/f w PG</span> <span><b>OLV</b></span> <span><b>CLV</b></span> </div> <div style="display: flex; justify-content: space-between; border-bottom: 1px solid black; margin-bottom: 5px;"> <span>OLV/PM</span> <span>AOLV/PM</span> <span>CLV/PM</span> </div> <p>0: Disabled 1: Enabled</p>	Default: 0 Range: 0, 1	219
d6-06 (02A5)	Field Forcing Limit	FieldForce Limit	<div style="display: flex; justify-content: space-between; border-bottom: 1px solid black; margin-bottom: 5px;"> <span>V/f</span> <span>V/f w PG</span> <span><b>OLV</b></span> <span><b>CLV</b></span> </div> <div style="display: flex; justify-content: space-between; border-bottom: 1px solid black; margin-bottom: 5px;"> <span>OLV/PM</span> <span>AOLV/PM</span> <span>CLV/PM</span> </div> <p>Sets the upper limit of the excitation current command during magnetic field forcing. A setting of 100% is equal to motor no-load current. Disabled only during DC Injection Braking.</p>	Default: 400% Min.: 100 Max.: 400	219

### ◆ d7: Offset Frequency

No. (Addr. Hex)	Name	LCD Display	Description	Setting	Page
d7-01 (02B2) 	Offset Frequency 1	Offset Freq 1	<div style="display: flex; justify-content: space-between; border-bottom: 1px solid black; margin-bottom: 5px;"> <span><b>All Modes</b></span> </div> <p>Added to the frequency reference when the digital input "Frequency offset 1" (H1-□□ = 44) is switched on. A setting of 100% is equal to the drive maximum output current.</p>	Default: 0.0% Min.: -100.0 Max.: 100.0	219
d7-02 (02B3) 	Offset Frequency 2	Offset Freq 2	<div style="display: flex; justify-content: space-between; border-bottom: 1px solid black; margin-bottom: 5px;"> <span><b>All Modes</b></span> </div> <p>Added to the frequency reference when the digital input "Frequency offset 2" (H1-□□ = 45) is switched on. A setting of 100% is equal to the drive maximum output current.</p>	Default: 0.0% Min.: -100.0 Max.: 100.0	219

## B.6 d: Reference Settings

No. (Addr. Hex)	Name	LCD Display	Description	Setting	Page
d7-03 (02B4) 	Offset Frequency 3	Offset Freq 3	<b>All Modes</b> Added to the frequency reference when the digital input "Frequency offset 3" (H1-□□ = 46) is switched on. A setting of 100% is equal to the drive maximum output current.	Default: 0.0% Min.: -100.0 Max.: 100.0	<a href="#">219</a>

# B.7 E: Motor Parameters

## ◆ E1: V/f Pattern for Motor 1

No. (Addr. Hex)	Name	LCD Display	Description	Values	Page
E1-03 (0302)	V/f Pattern Selection	V/f Selection 0: 50 Hz 1: 60 Hz Saturation 2: 50 Hz Saturation 3: 72 Hz 4: 50 Hz VT1 5: 50 Hz VT2 6: 60 Hz VT1 7: 60 Hz VT2 8: 50 Hz HST1 9: 50 Hz HST2 A: 60 Hz HST1 B: 60 Hz HST2 C: 90 Hz D: 120 Hz E: 180 Hz F: Custom V/f	<div style="display: flex; justify-content: space-around; border: 1px solid black; padding: 2px;"> <span>V/f</span> <span>V/f w PG</span> <span>OLV</span> <span>CLV</span> </div> <div style="display: flex; justify-content: space-around; border: 1px solid black; padding: 2px; margin-top: 2px;"> <span>OLV/PM</span> <span>AOLV/PM</span> <span>CLV/PM</span> </div> <p>0: 50 Hz, Constant torque 1 1: 60 Hz, Constant torque 2 2: 60 Hz, Constant torque 3 (50 Hz base) 3: 72 Hz, Constant torque 4 (60 Hz base) 4: 50 Hz, Variable torque 1 5: 50 Hz, Variable torque 2 6: 60 Hz, Variable torque 1 7: 60 Hz, Variable torque 2 8: 50 Hz, High starting torque 1 9: 50 Hz, High starting torque 2 A: 60 Hz, High starting torque 3 B: 60 Hz, High starting torque 4 C: 90 Hz (60 Hz base) D: 120 Hz (60 Hz base) E: 180 Hz (60 Hz base) F: Custom V/f, E1-04 through E1-13 settings define the V/f pattern</p>	Default: F <2> Range: 0 to 9; A to F <3>	220
E1-04 (0303)	Maximum Output Frequency	Max Frequency	<p><b>All Modes</b></p> <p>Parameters E1-04 and E1-06 to E1-13 can only be changed when E1-03 is set to F.</p>	Default: <4> <5> Min.: 40.0 Max.: 400.0 <6>	223
E1-05 (0304)	Maximum Voltage	Max Voltage	To set linear V/f characteristics, set the same values for E1-07 and E1-09.	Default: <4> <5> Min.: 0.0 V Max.: 255.0 V <1>	223
E1-06 (0305)	Base Frequency	Base Frequency	In this case, the setting for E1-08 will be disregarded. Ensure that the five frequencies are set according to the following rules to prevent triggering an oPE10 fault: E1-09 ≤ E1-07 < E1-06 ≤ E1-11 ≤ E1-04	Default: <4> <5> Min.: 0.0 Max.: E1-04 <6>	223
E1-07 (0306)	Middle Output Frequency	Mid Frequency A	Setting E1-11 to 0 disables both E1-11 and E1-12 and the above conditions do not apply.	Default: <4> <5> Min.: 0.0 Max.: E1-04	223
E1-08 (0307)	Middle Output Frequency Voltage	Mid Voltage A	Output Voltage (V)	Default: <4> Min.: 0.0 V Max.: 255.0 V <1>	223
E1-09 (0308)	Minimum Output Frequency	Min Frequency		Default: <4> <5> Min.: 0.0 Max.: E1-04 <6>	223
E1-10 (0309)	Minimum Output Frequency Voltage	Min Voltage	<p><b>Note:</b> Some parameters may not be available depending on the control mode.</p> <ul style="list-style-type: none"> <li>E1-07, E1-08, and E1-10 are available only in the following control modes: V/f Control, V/f with PG, Open Loop Vector.</li> <li>E1-11, E1-12, and E1-13 are available only in the following control modes: V/f Control, V/f with PG, Open Loop Vector, Closed Loop Vector.</li> </ul>	Default: <4> Min.: 0.0 V Max.: 255.0 V <1>	223
E1-11 (030A) <8>	Middle Output Frequency 2	Mid Frequency B		Default: 0.0 Hz Min.: 0.0 Max.: E1-04	223
E1-12 (030B) <8>	Middle Output Frequency Voltage 2	Mid Voltage B		Default: 0.0 V Min.: 0.0 Max.: 255.0 V <1>	223
E1-13 (030C)	Base Voltage	Base Voltage		Default: 0.0 V <7> Min.: 0.0 Max.: 255.0 V <1>	223

<1> Values shown are specific to 200 V class drives. Double the value for 400 V class drives.

<2> Parameter setting value is not reset to the default value when the drive is initialized.



## B.7 E: Motor Parameters

- <3> The setting value is F in OLV modes.
- <4> Default setting is determined by parameters A1-02, Control Method Selection, C6-01, Drive Duty Selection, and o2-04, Drive Model Selection.
- <5> Default setting is determined by parameter E5-01, Motor Code Selection.
- <6> In OLV/PM, setting range varies according to the motor code entered to E5-01. The setting range is 0.0 to 400.0 Hz when E5-01 is set to FFFF.
- <7> When E1-13, Base Voltage, is set to 0.0, output voltage is controlled with E1-05, Maximum Voltage, = E1-13. When Auto-Tuning is performed, E1-05 and E1-13 are automatically set to the same value.
- <8> Parameter ignored when E1-11 (Motor 1 Mid Output Frequency 2) and E1-12 (Motor 1 Mid Output Frequency Voltage 2) are set to 0.0.

### ◆ E2: Motor 1 Parameters

No. (Addr. Hex)	Name	LCD Display	Description	Values	Page
E2-01 (030E)	Motor Rated Current	Motor Rated FLA	<div style="display: flex; justify-content: space-between; align-items: center;"> <span><input checked="" type="radio"/> V/f</span> <span><input checked="" type="radio"/> V/f w PG</span> <span><input checked="" type="radio"/> OLV</span> <span><input checked="" type="radio"/> CLV</span> </div> <div style="display: flex; justify-content: space-between; align-items: center; margin-top: 5px;"> <span><input type="radio"/> OLV/PM</span> <span><input type="radio"/> AOLV/PM</span> <span><input type="radio"/> CLV/PM</span> </div> <p>Sets the motor nameplate full load current in amps. Automatically set during Auto-Tuning.</p>	Default: <f> Min.: 10% of drive rated current Max.: 150% of drive rated current <f>	224
E2-02 (030F)	Motor Rated Slip	Motor Rated Slip	<div style="display: flex; justify-content: space-between; align-items: center;"> <span><input checked="" type="radio"/> V/f</span> <span><input checked="" type="radio"/> V/f w PG</span> <span><input checked="" type="radio"/> OLV</span> <span><input checked="" type="radio"/> CLV</span> </div> <div style="display: flex; justify-content: space-between; align-items: center; margin-top: 5px;"> <span><input type="radio"/> OLV/PM</span> <span><input type="radio"/> AOLV/PM</span> <span><input type="radio"/> CLV/PM</span> </div> <p>Sets the motor rated slip. Automatically set during Auto-Tuning.</p>	Default: <f> Min.: 0.00 Hz Max.: 20.00 Hz	224
E2-03 (0310)	Motor No-Load Current	No-Load Current	<div style="display: flex; justify-content: space-between; align-items: center;"> <span><input checked="" type="radio"/> V/f</span> <span><input checked="" type="radio"/> V/f w PG</span> <span><input checked="" type="radio"/> OLV</span> <span><input checked="" type="radio"/> CLV</span> </div> <div style="display: flex; justify-content: space-between; align-items: center; margin-top: 5px;"> <span><input type="radio"/> OLV/PM</span> <span><input type="radio"/> AOLV/PM</span> <span><input type="radio"/> CLV/PM</span> </div> <p>Sets the no-load current for the motor. Automatically set during Auto-Tuning.</p>	Default: <f> Min.: 0.00 A Max.: E2-01 <f>	224
E2-04 (0311)	Number of Motor Poles	Number of Poles	<div style="display: flex; justify-content: space-between; align-items: center;"> <span><input checked="" type="radio"/> V/f</span> <span><input checked="" type="radio"/> V/f w PG</span> <span><input checked="" type="radio"/> OLV</span> <span><input checked="" type="radio"/> CLV</span> </div> <div style="display: flex; justify-content: space-between; align-items: center; margin-top: 5px;"> <span><input type="radio"/> OLV/PM</span> <span><input type="radio"/> AOLV/PM</span> <span><input type="radio"/> CLV/PM</span> </div> <p>Sets the number of motor poles. Automatically set during Auto-Tuning.</p>	Default: 4 Min.: 2 Max.: 48	225
E2-05 (0312)	Motor Line-to-Line Resistance	Term Resistance	<div style="display: flex; justify-content: space-between; align-items: center;"> <span><input checked="" type="radio"/> V/f</span> <span><input checked="" type="radio"/> V/f w PG</span> <span><input checked="" type="radio"/> OLV</span> <span><input checked="" type="radio"/> CLV</span> </div> <div style="display: flex; justify-content: space-between; align-items: center; margin-top: 5px;"> <span><input type="radio"/> OLV/PM</span> <span><input type="radio"/> AOLV/PM</span> <span><input type="radio"/> CLV/PM</span> </div> <p>Sets the phase-to-phase motor resistance. Automatically set during Auto-Tuning.</p>	Default: <f> Min.: 0.000 Ω Max.: 65.000 Ω	225
E2-06 (0313)	Motor Leakage Inductance	Leak Inductance	<div style="display: flex; justify-content: space-between; align-items: center;"> <span><input checked="" type="radio"/> V/f</span> <span><input checked="" type="radio"/> V/f w PG</span> <span><input checked="" type="radio"/> OLV</span> <span><input checked="" type="radio"/> CLV</span> </div> <div style="display: flex; justify-content: space-between; align-items: center; margin-top: 5px;"> <span><input type="radio"/> OLV/PM</span> <span><input type="radio"/> AOLV/PM</span> <span><input type="radio"/> CLV/PM</span> </div> <p>Sets the voltage drop due to motor leakage inductance as a percentage of motor rated voltage. Automatically set during Auto-Tuning.</p>	Default: <f> Min.: 0.0% Max.: 40.0%	225
E2-07 (0314)	Motor Iron-Core Saturation Coefficient 1	Saturation Comp1	<div style="display: flex; justify-content: space-between; align-items: center;"> <span><input type="radio"/> V/f</span> <span><input type="radio"/> V/f w PG</span> <span><input checked="" type="radio"/> OLV</span> <span><input checked="" type="radio"/> CLV</span> </div> <div style="display: flex; justify-content: space-between; align-items: center; margin-top: 5px;"> <span><input type="radio"/> OLV/PM</span> <span><input type="radio"/> AOLV/PM</span> <span><input type="radio"/> CLV/PM</span> </div> <p>Sets the motor iron saturation coefficient at 50% of magnetic flux. Automatically set during Auto-Tuning.</p>	Default: 0.50 Min.: 0.00 Max.: 0.50	225
E2-08 (0315)	Motor Iron-Core Saturation Coefficient 2	Saturation Comp2	<div style="display: flex; justify-content: space-between; align-items: center;"> <span><input type="radio"/> V/f</span> <span><input type="radio"/> V/f w PG</span> <span><input checked="" type="radio"/> OLV</span> <span><input checked="" type="radio"/> CLV</span> </div> <div style="display: flex; justify-content: space-between; align-items: center; margin-top: 5px;"> <span><input type="radio"/> OLV/PM</span> <span><input type="radio"/> AOLV/PM</span> <span><input type="radio"/> CLV/PM</span> </div> <p>Sets the motor iron saturation coefficient at 75% of magnetic flux. Automatically set during Auto-Tuning.</p>	Default: 0.75 Min.: E2-07 Max.: 0.75	225
E2-09 (0316)	Motor Mechanical Loss	Mechanical Loss	<div style="display: flex; justify-content: space-between; align-items: center;"> <span><input type="radio"/> V/f</span> <span><input type="radio"/> V/f w PG</span> <span><input checked="" type="radio"/> OLV</span> <span><input checked="" type="radio"/> CLV</span> </div> <div style="display: flex; justify-content: space-between; align-items: center; margin-top: 5px;"> <span><input type="radio"/> OLV/PM</span> <span><input type="radio"/> AOLV/PM</span> <span><input type="radio"/> CLV/PM</span> </div> <p>Sets the motor mechanical loss as a percentage of motor rated power (kW).</p>	Default: 0.0% Min.: 0.0 Max.: 10.0	225
E2-10 (0317)	Motor Iron Loss for Torque Compensation	Motor Iron Loss	<div style="display: flex; justify-content: space-between; align-items: center;"> <span><input checked="" type="radio"/> V/f</span> <span><input checked="" type="radio"/> V/f w PG</span> <span><input type="radio"/> OLV</span> <span><input type="radio"/> CLV</span> </div> <div style="display: flex; justify-content: space-between; align-items: center; margin-top: 5px;"> <span><input type="radio"/> OLV/PM</span> <span><input type="radio"/> AOLV/PM</span> <span><input type="radio"/> CLV/PM</span> </div> <p>Sets the motor iron loss.</p>	Default: <f> Min.: 0 W Max.: 65535 W	226



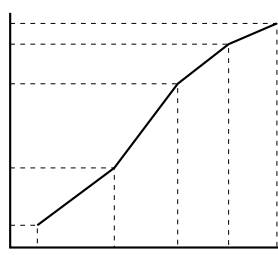
No. (Addr. Hex)	Name	LCD Display	Description	Values	Page
E2-11 (0318)	Motor Rated Power	Mtr Rated Power	<div style="display: flex; justify-content: space-around;"> <span>V/f</span> <span>V/f w PG</span> <span>OLV</span> <span>CLV</span> </div> <div style="display: flex; justify-content: space-around;"> <span>OLV/PM</span> <span>AOLV/PM</span> <span>CLV/PM</span> </div> <p>Sets the motor rated power in kilowatts (1 HP = 0.746 kW). Automatically set during Auto-Tuning.</p>	Default: <1> Min.: 0.00 kW Max.: 650.00 kW	226

<1> Default setting is dependent on parameters C6-01, Drive Duty Selection, and o2-04, Drive Model Selection.

<2> Display is in the following units:  
 2□0028, 2□0042, and 4□0011 to 4□0027: 0.01 A units  
 2□0054 to 2□0248 and 4□0034 to 4□0414: 0.1 A units

### ◆ E3: V/f Pattern for Motor 2

These parameters are hidden when a PM motor control mode has been selected for motor 1 (A1-02 = 5, 6, 7).

No. (Addr. Hex)	Name	LCD Display	Description	Values	Page
E3-01 (0319)	Motor 2 Control Mode Selection	Mot 1 Contr Meth 0: V/f Control 1: V/f with PG 2: Open Loop Vector 3: Closed Loop Vect	<div style="display: flex; justify-content: space-around;"> <span>V/f</span> <span>V/f w PG</span> <span>OLV</span> <span>CLV</span> </div> <div style="display: flex; justify-content: space-around;"> <span>OLV/PM</span> <span>AOLV/PM</span> <span>CLV/PM</span> </div> <p>0: V/f Control 1: V/f Control with PG 2: Open Loop Vector Control 3: Closed Loop Vector Control</p>	Default: 0 Range: 0 to 3	227
E3-04 (031A)	Motor 2 Maximum Output Frequency	Max Frequency	<div style="display: flex; justify-content: space-around;"> <span>V/f</span> <span>V/f w PG</span> <span>OLV</span> <span>CLV</span> </div> <div style="display: flex; justify-content: space-around;"> <span>OLV/PM</span> <span>AOLV/PM</span> <span>CLV/PM</span> </div> <p>To set linear V/f characteristics, set the same values for E3-07 and E3-09. In this case, the setting for E3-08 will be disregarded. Ensure that the five frequencies are set according to the following rules to prevent triggering an oPE10 fault: E3-09 ≤ E3-07 &lt; E3-06 ≤ E3-11 ≤ E3-04 Setting E3-11 to 0 disables both E3-11 and E3-12 and the above conditions do not apply.</p> <p>Output Voltage (V)</p>  <p>Frequency (Hz)</p> <p><b>Note:</b> E3-07 and E3-08 are only available in the following control modes: V/f, V/f w/PG and OLV.</p>	Default: <1> Min.: 40.0 Max.: 400.0	227
E3-05 (031B)	Motor 2 Maximum Voltage	Max Voltage		Default: <1> <4> Min.: 0.0 V Max.: 255.0 V <2>	227
E3-06 (031C)	Motor 2 Base Frequency	Base Frequency		Default: <1> Min.: 0.0 Max.: E3-04	227
E3-07 (031D)	Motor 2 Mid Output Frequency	Mid Frequency A		Default: <1> Min: 0.0 Max: E3-04	227
E3-08 (031E)	Motor 2 Mid Output Frequency Voltage	Mid Voltage B		Default: <1> Min: 0.0 V Max: 255.0 V <2>	227
E3-09 (031F)	Motor 2 Minimum Output Frequency	Min Frequency		Default: <1> Min.: 0.0 Max.: E3-04	227
E3-10 (0320)	Motor 2 Minimum Output Frequency Voltage	Min Voltage		Default: <1> Min: 0.0 V Max.: 255.0 V <2>	227
E3-11 (0345) <3>	Motor 2 Mid Output Frequency 2	Mid Frequency B		Default: 0.0 Hz Min.: 0.0 Max.: E3-04	227
E3-12 (0346) <3>	Motor 2 Mid Output Frequency Voltage 2	Mid Voltage B		Default: 0.0 V Min.: 0.0 Max.: 255.0 <2>	227
E3-13 (0347) <4>	Motor 2 Base Voltage	Base Voltage		Default: 0.0 V <4> Min.: 0.0 Max.: 255.0 <2>	227

<1> Default setting is determined by parameter E3-01, Motor 2 Control Mode Selection. The value shown here is for V/f Control (0).

<2> Values shown are specific to 200 V class drives. Double the value for 400 V class drives.

<3> Ignored when E3-11, Motor 2 Mid Output Frequency 2, and E3-12, Motor 2 Mid Output Frequency Voltage 2, are set to 0.

## B.7 E: Motor Parameters

<4> When E3-13, Motor 2 Base Voltage, is set to 0.0, output voltage is controlled with E3-05, Motor 2 Maximum Voltage, = E3-13. When Auto-Tuning is performed, E3-05 and E3-13 are automatically set to the same value.

### ◆ E4: Motor 2 Parameters

These parameters are hidden when a PM motor control mode has been selected for motor 1 (A1-02 = 5, 6, 7).

No. (Addr. Hex)	Name	LCD Display	Description	Values	Page
E4-01 (0321)	Motor 2 Rated Current	Motor Rated FLA	<div style="display: flex; justify-content: space-between;"> <span><input checked="" type="checkbox"/> V/f</span> <span><input checked="" type="checkbox"/> V/f w PG</span> <span><input checked="" type="checkbox"/> OLV</span> <span><input checked="" type="checkbox"/> CLV</span> </div> <div style="display: flex; justify-content: space-between;"> <span><input type="checkbox"/> OLV/PM</span> <span><input type="checkbox"/> AOLV/PM</span> <span><input type="checkbox"/> CLV/PM</span> </div> <p>Sets the full load current for motor 2. Automatically set during Auto-Tuning.</p>	Default: <1> Min.: 10% of drive rated current Max.: 150% of drive rated current <2>	228
E4-02 (0322)	Motor 2 Rated Slip	Motor Rated Slip	<div style="display: flex; justify-content: space-between;"> <span><input checked="" type="checkbox"/> V/f</span> <span><input checked="" type="checkbox"/> V/f w PG</span> <span><input checked="" type="checkbox"/> OLV</span> <span><input checked="" type="checkbox"/> CLV</span> </div> <div style="display: flex; justify-content: space-between;"> <span><input type="checkbox"/> OLV/PM</span> <span><input type="checkbox"/> AOLV/PM</span> <span><input type="checkbox"/> CLV/PM</span> </div> <p>Sets the rated slip for motor 2. Automatically set during Auto-Tuning.</p>	Default: <1> Min.: 0.00 Hz Max.: 20.00 Hz	228
E4-03 (0323)	Motor 2 Rated No-Load Current	No-Load Current	<div style="display: flex; justify-content: space-between;"> <span><input checked="" type="checkbox"/> V/f</span> <span><input checked="" type="checkbox"/> V/f w PG</span> <span><input checked="" type="checkbox"/> OLV</span> <span><input checked="" type="checkbox"/> CLV</span> </div> <div style="display: flex; justify-content: space-between;"> <span><input type="checkbox"/> OLV/PM</span> <span><input type="checkbox"/> AOLV/PM</span> <span><input type="checkbox"/> CLV/PM</span> </div> <p>Sets the no-load current for motor 2. Automatically set during Auto-Tuning.</p>	Default: <1> Min.: 0 A Max.: E4-01 <2>	228
E4-04 (0324)	Motor 2 Motor Poles	Number of Poles	<div style="display: flex; justify-content: space-between;"> <span><input checked="" type="checkbox"/> V/f</span> <span><input checked="" type="checkbox"/> V/f w PG</span> <span><input checked="" type="checkbox"/> OLV</span> <span><input checked="" type="checkbox"/> CLV</span> </div> <div style="display: flex; justify-content: space-between;"> <span><input type="checkbox"/> OLV/PM</span> <span><input type="checkbox"/> AOLV/PM</span> <span><input type="checkbox"/> CLV/PM</span> </div> <p>Sets the number of poles of motor 2. Automatically set during Auto-Tuning.</p>	Default: 4 Min.: 2 Max.: 48	229
E4-05 (0325)	Motor 2 Line-to-Line Resistance	Term Resistance	<div style="display: flex; justify-content: space-between;"> <span><input checked="" type="checkbox"/> V/f</span> <span><input checked="" type="checkbox"/> V/f w PG</span> <span><input checked="" type="checkbox"/> OLV</span> <span><input checked="" type="checkbox"/> CLV</span> </div> <div style="display: flex; justify-content: space-between;"> <span><input type="checkbox"/> OLV/PM</span> <span><input type="checkbox"/> AOLV/PM</span> <span><input type="checkbox"/> CLV/PM</span> </div> <p>Sets the phase-to-phase resistance for motor 2. Automatically set during Auto-Tuning.</p>	Default: <1> Min.: 0.000 Ω Max.: 65.000 Ω	229
E4-06 (0326)	Motor 2 Leakage Inductance	Leak Inductance	<div style="display: flex; justify-content: space-between;"> <span><input checked="" type="checkbox"/> V/f</span> <span><input checked="" type="checkbox"/> V/f w PG</span> <span><input checked="" type="checkbox"/> OLV</span> <span><input checked="" type="checkbox"/> CLV</span> </div> <div style="display: flex; justify-content: space-between;"> <span><input type="checkbox"/> OLV/PM</span> <span><input type="checkbox"/> AOLV/PM</span> <span><input type="checkbox"/> CLV/PM</span> </div> <p>Sets the voltage drop for motor 2 due to motor leakage inductance as a percentage of rated voltage. Automatically set during Auto-Tuning.</p>	Default: <1> Min.: 0.0% Max.: 40.0%	229
E4-07 (0343)	Motor 2 Motor Iron-Core Saturation Coefficient 1	Saturation Comp1	<div style="display: flex; justify-content: space-between;"> <span><input type="checkbox"/> V/f</span> <span><input type="checkbox"/> V/f w PG</span> <span><input checked="" type="checkbox"/> OLV</span> <span><input checked="" type="checkbox"/> CLV</span> </div> <div style="display: flex; justify-content: space-between;"> <span><input type="checkbox"/> OLV/PM</span> <span><input type="checkbox"/> AOLV/PM</span> <span><input type="checkbox"/> CLV/PM</span> </div> <p>Set to the motor iron saturation coefficient at 50% of magnetic flux for motor 2. Automatically set during Auto-Tuning.</p>	Default: 0.50 Min.: 0.00 Max.: 0.50	229
E4-08 (0344)	Motor 2 Motor Iron-Core Saturation Coefficient 2	Saturation Comp2	<div style="display: flex; justify-content: space-between;"> <span><input type="checkbox"/> V/f</span> <span><input type="checkbox"/> V/f w PG</span> <span><input checked="" type="checkbox"/> OLV</span> <span><input checked="" type="checkbox"/> CLV</span> </div> <div style="display: flex; justify-content: space-between;"> <span><input type="checkbox"/> OLV/PM</span> <span><input type="checkbox"/> AOLV/PM</span> <span><input type="checkbox"/> CLV/PM</span> </div> <p>Set to the motor iron saturation coefficient at 75% of magnetic flux for motor 2. This value is automatically set during Auto-Tuning.</p>	Default: 0.75 Min.: E4-07 Max.: 0.75	229
E4-09 (033F)	Motor 2 Mechanical Loss	Mechanical Loss	<div style="display: flex; justify-content: space-between;"> <span><input type="checkbox"/> V/f</span> <span><input type="checkbox"/> V/f w PG</span> <span><input checked="" type="checkbox"/> OLV</span> <span><input checked="" type="checkbox"/> CLV</span> </div> <div style="display: flex; justify-content: space-between;"> <span><input type="checkbox"/> OLV/PM</span> <span><input type="checkbox"/> AOLV/PM</span> <span><input type="checkbox"/> CLV/PM</span> </div> <p>Sets the motor mechanical loss for motor 2 as a percentage of motor rated power (kW). There is normally no need to change this parameter from the default value.</p>	Default: 0.0% Min.: 0.0 Max.: 10.0	229
E4-10 (0340)	Motor 2 Iron Loss	Motor Iron Loss	<div style="display: flex; justify-content: space-between;"> <span><input checked="" type="checkbox"/> V/f</span> <span><input checked="" type="checkbox"/> V/f w PG</span> <span><input type="checkbox"/> OLV</span> <span><input type="checkbox"/> CLV</span> </div> <div style="display: flex; justify-content: space-between;"> <span><input type="checkbox"/> OLV/PM</span> <span><input type="checkbox"/> AOLV/PM</span> <span><input type="checkbox"/> CLV/PM</span> </div> <p>Sets the motor iron loss.</p>	Default: <1> Min.: 0 W Max.: 65535 W	229
E4-11 (0327)	Motor 2 Rated Power	Mtr Rated Power	<div style="display: flex; justify-content: space-between;"> <span><input checked="" type="checkbox"/> V/f</span> <span><input checked="" type="checkbox"/> V/f w PG</span> <span><input checked="" type="checkbox"/> OLV</span> <span><input checked="" type="checkbox"/> CLV</span> </div> <div style="display: flex; justify-content: space-between;"> <span><input type="checkbox"/> OLV/PM</span> <span><input type="checkbox"/> AOLV/PM</span> <span><input type="checkbox"/> CLV/PM</span> </div> <p>Sets the motor rated capacity in kW. Automatically set during Auto-Tuning.</p>	Default: <1> Min.: 0.00 kW Max.: 650.00 kW	230

<1> Default setting is determined by parameters C6-01, Drive Duty Selection, and o2-04, Drive Model Selection.

<2> Display is in the following units:  
 2□0028, 2□0042, and 4□0011 to 4□0027: 0.01 A units  
 2□0054 to 2□0248 and 4□0034 to 4□0414: 0.1 A units

◆ E5: PM Motor Settings

No. (Addr. Hex)	Name	LCD Display	Description	Values	Page
E5-01 (0329) </>	Motor Code Selection (for PM Motors)	PM Mtr Code Sel	<div style="display: flex; justify-content: space-between; margin-bottom: 5px;"> <span>V/f</span> <span>V/f w PG</span> <span>OLV</span> <span>CLV</span> </div> <div style="display: flex; justify-content: space-between; margin-bottom: 5px;"> <span>OLV/PM</span> <span>AOLV/PM</span> <span>CLV/PM</span> </div> <p>Enter the Yaskawa motor code for the PM motor being used. Various motor parameters are automatically set based on the value of this parameter. Settings that were changed manually will be overwritten by the defaults of the selected motor code.</p> <p><b>Note:</b></p> <ol style="list-style-type: none"> <li>Set to FFFF when using a non-Yaskawa PM motor or a special motor.</li> <li>If an alarm or hunting occurs despite using a motor code, enter the value indicated on the nameplate. <i>Refer to Auto-Tuning for Permanent Magnet Motors on page 131</i> for details.</li> </ol>	Default: <2> Min.: 0000 Max.: FFFF <3>	230
E5-02 (032A) </>	Motor Rated Power (for PM Motors)	PM Mtr Capacity	<div style="display: flex; justify-content: space-between; margin-bottom: 5px;"> <span>V/f</span> <span>V/f w PG</span> <span>OLV</span> <span>CLV</span> </div> <div style="display: flex; justify-content: space-between; margin-bottom: 5px;"> <span>OLV/PM</span> <span>AOLV/PM</span> <span>CLV/PM</span> </div> <p>Sets the rated capacity of the motor.</p>	Default: <4> Min.: 0.10 kW Max.: 650.00 kW	230
E5-03 (032B) </>	Motor Rated Current (for PM Motors)	PM Mtr Rated FLA	<div style="display: flex; justify-content: space-between; margin-bottom: 5px;"> <span>V/f</span> <span>V/f w PG</span> <span>OLV</span> <span>CLV</span> </div> <div style="display: flex; justify-content: space-between; margin-bottom: 5px;"> <span>OLV/PM</span> <span>AOLV/PM</span> <span>CLV/PM</span> </div> <p>Sets the motor rated current.</p>	Default: <4> Min: 10% of drive rated current Max: 150% of drive rated current <5>	231
E5-04 (032C) </>	Number of Motor Poles (for PM Motors)	PM Motor Poles	<div style="display: flex; justify-content: space-between; margin-bottom: 5px;"> <span>V/f</span> <span>V/f w PG</span> <span>OLV</span> <span>CLV</span> </div> <div style="display: flex; justify-content: space-between; margin-bottom: 5px;"> <span>OLV/PM</span> <span>AOLV/PM</span> <span>CLV/PM</span> </div> <p>Sets the number of motor poles.</p>	Default: <4> Min.: 2 Max.: 48	231
E5-05 (032D) </>	Motor Stator Resistance (r1) (for PM Motors)	PM Mtr Arm Ohms	<div style="display: flex; justify-content: space-between; margin-bottom: 5px;"> <span>V/f</span> <span>V/f w PG</span> <span>OLV</span> <span>CLV</span> </div> <div style="display: flex; justify-content: space-between; margin-bottom: 5px;"> <span>OLV/PM</span> <span>AOLV/PM</span> <span>CLV/PM</span> </div> <p>Set the resistance for each motor phase.</p>	Default: <4> Min.: 0.000 Ω Max.: 65.000 Ω	231
E5-06 (032E) </>	Motor d-Axis Inductance (Ld) (for PM Motors)	PM Mtr d Induct	<div style="display: flex; justify-content: space-between; margin-bottom: 5px;"> <span>V/f</span> <span>V/f w PG</span> <span>OLV</span> <span>CLV</span> </div> <div style="display: flex; justify-content: space-between; margin-bottom: 5px;"> <span>OLV/PM</span> <span>AOLV/PM</span> <span>CLV/PM</span> </div> <p>Sets the d-Axis inductance for the PM motor.</p>	Default: <4> Min.: 0.00 mH Max.: 300.00 mH	231
E5-07 (032F) </>	Motor q-Axis Inductance (Lq) (for PM Motors)	PM Mtr q Induct	<div style="display: flex; justify-content: space-between; margin-bottom: 5px;"> <span>V/f</span> <span>V/f w PG</span> <span>OLV</span> <span>CLV</span> </div> <div style="display: flex; justify-content: space-between; margin-bottom: 5px;"> <span>OLV/PM</span> <span>AOLV/PM</span> <span>CLV/PM</span> </div> <p>Sets the q-Axis inductance for the PM motor.</p>	Default: <4> Min.: 0.00 mH Max.: 600.00 mH	231
E5-09 (0331) </>	Motor Induction Voltage Constant 1 (Ke) (for PM Motors)	PM Mtr Ind V 1	<div style="display: flex; justify-content: space-between; margin-bottom: 5px;"> <span>V/f</span> <span>V/f w PG</span> <span>OLV</span> <span>CLV</span> </div> <div style="display: flex; justify-content: space-between; margin-bottom: 5px;"> <span>OLV/PM</span> <span>AOLV/PM</span> <span>CLV/PM</span> </div> <p>Sets the induced phase peak voltage in units of 0.1 mV/(rad/s) [electrical angle]. Set this parameter when using a Yaskawa SSR1-Series PM motor with derated torque, or a Yaskawa SST4-Series motor with constant torque. Set E5-24 to 0 when setting this parameter.</p>	Default: <4> Min.: 0.0 mV/(rad/s) Max.: 2000.0 mV/(rad/s)	231
E5-11 (0333) </>	Encoder Z Pulse Offset (Δθ) (for PM Motors)	Enc Z-Pulse Offs	<div style="display: flex; justify-content: space-between; margin-bottom: 5px;"> <span>V/f</span> <span>V/f w PG</span> <span>OLV</span> <span>CLV</span> </div> <div style="display: flex; justify-content: space-between; margin-bottom: 5px;"> <span>OLV/PM</span> <span>AOLV/PM</span> <span>CLV/PM</span> </div> <p>Sets the offset between the rotor magnetic axis and the Z Pulse of an incremental encoder during Z Pulse offset tuning.</p>	Default: 0.0 deg Min.: -180 Max.: 180	231
E5-24 (0353) </>	Motor Induction Voltage Constant 2 (Ke) (for PM Motors)	PM Mtr Ind V 2	<div style="display: flex; justify-content: space-between; margin-bottom: 5px;"> <span>V/f</span> <span>V/f w PG</span> <span>OLV</span> <span>CLV</span> </div> <div style="display: flex; justify-content: space-between; margin-bottom: 5px;"> <span>OLV/PM</span> <span>AOLV/PM</span> <span>CLV/PM</span> </div> <p>Sets the induced phase-to-phase rms voltage in units of 0.1 mV/(r/min) [mechanical angle]. Set this parameter when using a Yaskawa SMRA-Series SPM motor.</p>	Default: <4> Min.: 0.0 mV/(r/min) Max.: 6500.0 mV/(r/min)	232

## B.7 E: Motor Parameters

No. (Addr. Hex)	Name	LCD Display	Description	Values	Page
E5-25 (035E)	Polarity Switch for Initial Polarity Estimation Timeout (for PM Motors)	RotPolarityInvr 0: Disabled 1: Enabled	<div style="display: flex; justify-content: space-around; align-items: center;"> <span>V/f</span> <span>V/f w PG</span> <span>OLV</span> <span>CLV</span> </div> <div style="display: flex; justify-content: space-around; align-items: center;"> <span>OLV/PM</span> <span style="background-color: black; color: white; border-radius: 5px; padding: 2px;">AOLV/PM</span> <span style="background-color: black; color: white; border-radius: 5px; padding: 2px;">CLV/PM</span> </div> <p>Switches polarity for initial polarity estimation. 0: Disabled 1: Enabled There is normally no need to change this parameter from the default value. If "Sd = 1" is listed on the nameplate or in a test report for a Yaskawa motor, this parameter should be set to 1.</p>	Default: 0 Range: 0, 1	232

- <1> Setting value is not reset to the default when drive is initialized.
- <2> Default setting is determined by parameters A1-02, Control Method Selection, o2-04, Drive Model Selection, and C6-01, Drive Duty Selection.
- <3> Selections may vary depending on the motor code entered to E5-01.
- <4> Default setting is determined by parameter E5-01, Motor Code Selection.
- <5> Display is in the following units:  
 2□0028, 2□0042, and 4□0011 to 4□0027: 0.01 A units  
 2□0054 to 2□0248 and 4□0034 to 4□0414: 0.1 A units

## B.8 F: Option Settings

F parameters program the drive for PG feedback from the motor and to function with option cards.

### ◆ F1: PG Speed Control Card Settings (PG-B3, PG-X3, PG-RT3, PG-F3)

Parameters F1-01, F1-05, F1-06, F1-12, F1-13, and F1-18 through F1-21 include “PG 1” in the parameter name and are used to set up a PG option card plugged into option port CN5-C of the drive.

Parameters F1-31 through F1-37 include “PG 2” in the parameter name and are used to set up a PG option card plugged into option port CN5-B of the drive.

Other parameters in the F1 group are used to set operation for PG options plugged into port CN5-C and CN5-B.

No. (Addr. Hex)	Name	LCD Display	Description	Values	Page
F1-01 (0380)	PG 1 Pulses Per Revolution	PG1 Pulses/Rev	<div style="display: flex; justify-content: space-between; align-items: center;"> <span>V/f</span> <span><b>V/f w PG</b></span> <span>OLV</span> <span><b>CLV</b></span> </div> <div style="display: flex; justify-content: space-between; align-items: center; margin-top: 5px;"> <span>OLV/PM</span> <span>AOLV/PM</span> <span><b>CLV/PM</b></span> </div> <p>Sets the number of PG (pulse generator or encoder) pulses. Sets the number of pulses per motor revolution.</p> <p><b>Note:</b> Setting range is 0 to 15000 ppr when A1-02 = 7 (CLV/PM control mode).</p>	Default: 1024 ppr Min.: 1 Max.: 60000	233
F1-02 (0381)	Operation Selection at PG Open Circuit (PGo)	PG Fdbk Loss Sel 0: Ramp to Stop 1: Coast to Stop 2: Fast-Stop 3: Alarm Only 4: Not Detect	<div style="display: flex; justify-content: space-between; align-items: center;"> <span>V/f</span> <span><b>V/f w PG</b></span> <span>OLV</span> <span><b>CLV</b></span> </div> <div style="display: flex; justify-content: space-between; align-items: center; margin-top: 5px;"> <span>OLV/PM</span> <span>AOLV/PM</span> <span><b>CLV/PM</b></span> </div> <p>0: Ramp to stop. Decelerate to stop using the deceleration time in C1-02. 1: Coast to stop. 2: Fast Stop. Decelerate to stop using the deceleration time in C1-09. 3: Alarm only. 4: No alarm display</p> <p><b>Note:</b> Depending on motor speed and load conditions, an oC error may occur.</p>	Default: 1 Range: 0 to 4	233
F1-03 (0382)	Operation Selection at Overspeed (oS)	PG Overspeed Sel 0: Ramp to Stop 1: Coast to Stop 2: Fast-Stop 3: Alarm Only	<div style="display: flex; justify-content: space-between; align-items: center;"> <span>V/f</span> <span><b>V/f w PG</b></span> <span>OLV</span> <span><b>CLV</b></span> </div> <div style="display: flex; justify-content: space-between; align-items: center; margin-top: 5px;"> <span>OLV/PM</span> <span>AOLV/PM</span> <span><b>CLV/PM</b></span> </div> <p>0: Ramp to stop. Decelerate to stop using the deceleration time in C1-02. 1: Coast to stop. 2: Fast Stop. Decelerate to stop using the deceleration time in C1-09. 3: Alarm only.</p> <p><b>Note:</b> In AOLV/PM, the motor will coast to a stop (F1-03 = 1). The setting for F1-03 cannot be changed to 0, 2, or 3.</p>	Default: 1 Range: 0 to 3	233
F1-04 (0383)	Operation Selection at Speed Deviation (dEv)	PG Deviation Sel 0: Ramp to Stop 1: Coast to Stop 2: Fast-Stop 3: Alarm Only	<div style="display: flex; justify-content: space-between; align-items: center;"> <span>V/f</span> <span><b>V/f w PG</b></span> <span>OLV</span> <span><b>CLV</b></span> </div> <div style="display: flex; justify-content: space-between; align-items: center; margin-top: 5px;"> <span>OLV/PM</span> <span>AOLV/PM</span> <span><b>CLV/PM</b></span> </div> <p>0: Ramp to stop. Decelerate to stop using the deceleration time in C1-02. 1: Coast to stop. 2: Fast Stop. Decelerate to stop using the deceleration time in C1-09. 3: Alarm only.</p>	Default: 3 Range: 0 to 3	234
F1-05 (0384)	PG 1 Rotation Selection	PG1 Rotation Sel 0: Fwd = C.C.W 1: Fwd = C.W.	<div style="display: flex; justify-content: space-between; align-items: center;"> <span>V/f</span> <span><b>V/f w PG</b></span> <span>OLV</span> <span><b>CLV</b></span> </div> <div style="display: flex; justify-content: space-between; align-items: center; margin-top: 5px;"> <span>OLV/PM</span> <span>AOLV/PM</span> <span><b>CLV/PM</b></span> </div> <p>0: Pulse A leads 1: Pulse B leads</p>	Default: </> Range: 0, 1	234
F1-06 (0385)	PG 1 Division Rate for PG Pulse Monitor	PG1 Output Ratio	<div style="display: flex; justify-content: space-between; align-items: center;"> <span>V/f</span> <span><b>V/f w PG</b></span> <span>OLV</span> <span><b>CLV</b></span> </div> <div style="display: flex; justify-content: space-between; align-items: center; margin-top: 5px;"> <span>OLV/PM</span> <span>AOLV/PM</span> <span><b>CLV/PM</b></span> </div> <p>Sets the division ratio for the pulse monitor used of the PG option card installed to port CN5-C. When setting for a three-digit number “xyz”, the division ratio becomes = [(1 + x) / yz]. If only using the A pulse for one-track input, the input ratio will be 1:1 regardless of F1-06 setting.</p>	Default: 1 Min.: 1 Max.: 132	234

## B.8 F: Option Settings



No. (Addr. Hex)	Name	LCD Display	Description	Values	Page
F1-08 (0387)	Overspeed Detection Level	PG Overspd Level	<p><input type="radio"/> V/f <input checked="" type="radio"/> V/f w PG <input type="radio"/> OLV <input checked="" type="radio"/> CLV</p> <p><input type="radio"/> OLV/PM <input checked="" type="radio"/> AOLV/PM <input checked="" type="radio"/> CLV/PM</p> <p>Sets the overspeed detection level as a percentage of the maximum output frequency.</p>	Default: 115% Min.: 0 Max.: 120	233
F1-09 (0388)	Overspeed Detection Delay Time	PG Overspd Time	<p><input type="radio"/> V/f <input checked="" type="radio"/> V/f w PG <input type="radio"/> OLV <input checked="" type="radio"/> CLV</p> <p><input type="radio"/> OLV/PM <input checked="" type="radio"/> AOLV/PM <input checked="" type="radio"/> CLV/PM</p> <p>Sets the time in seconds for an overspeed situation to trigger a fault (oS).</p>	Default: </> Min.: 0.0 s Max.: 2.0 s	233
F1-10 (0389)	Excessive Speed Deviation Detection Level	PG Deviate Level	<p><input type="radio"/> V/f <input checked="" type="radio"/> V/f w PG <input type="radio"/> OLV <input checked="" type="radio"/> CLV</p> <p><input type="radio"/> OLV/PM <input checked="" type="radio"/> AOLV/PM <input checked="" type="radio"/> CLV/PM</p> <p>Sets the speed deviation detection level as a percentage of the maximum output frequency.</p>	Default: 10% Min.: 0 Max.: 50	234
F1-11 (038A)	Excessive Speed Deviation Detection Delay Time	PG Deviate Time	<p><input type="radio"/> V/f <input checked="" type="radio"/> V/f w PG <input type="radio"/> OLV <input checked="" type="radio"/> CLV</p> <p><input type="radio"/> OLV/PM <input checked="" type="radio"/> AOLV/PM <input checked="" type="radio"/> CLV/PM</p> <p>Sets the time in seconds for a speed deviation situation to trigger a fault (dEv).</p>	Default: 0.5 s Min.: 0.0 Max.: 10.0	234
F1-12 (038B)	PG 1 Gear Teeth 1	PG1 Gear Teeth1	<p><input type="radio"/> V/f <input checked="" type="radio"/> V/f w PG <input type="radio"/> OLV <input type="radio"/> CLV</p> <p><input type="radio"/> OLV/PM <input type="radio"/> AOLV/PM <input type="radio"/> CLV/PM</p> <p>Sets the gear ratio between the motor shaft and the encoder (PG). A gear ratio of 1 will be used if F1-12 or F1-13 are set to 0.</p>	Default: 0 Min.: 0 Max.: 1000	234
F1-13 (038C)	PG 1 Gear Teeth 2	PG1 Gear Teeth2	<p><input type="radio"/> V/f <input checked="" type="radio"/> V/f w PG <input type="radio"/> OLV <input type="radio"/> CLV</p> <p><input type="radio"/> OLV/PM <input type="radio"/> AOLV/PM <input type="radio"/> CLV/PM</p> <p>Sets the gear ratio between the motor shaft and the encoder (PG). A gear ratio of 1 will be used if F1-12 or F1-13 are set to 0.</p>	Default: 0 Min.: 0 Max.: 1000	234
F1-14 (038D)	PG Open-Circuit Detection Time	PGO Detect Time	<p><input type="radio"/> V/f <input checked="" type="radio"/> V/f w PG <input type="radio"/> OLV <input checked="" type="radio"/> CLV</p> <p><input type="radio"/> OLV/PM <input type="radio"/> AOLV/PM <input checked="" type="radio"/> CLV/PM</p> <p>Sets the time required to trigger a PG Open fault (PGo).</p>	Default: 2.0 s Min.: 0.0 Max.: 10.0	233
F1-18 (03AD)	dv3 Detection Selection	DV3 Det Sel	<p><input type="radio"/> V/f <input type="radio"/> V/f w PG <input type="radio"/> OLV <input type="radio"/> CLV</p> <p><input type="radio"/> OLV/PM <input type="radio"/> AOLV/PM <input checked="" type="radio"/> CLV/PM</p> <p>0: Disabled n: Number of dv3 occurrences that must be detected to trigger a dv3 fault.</p>	Default: 10 Min.: 0 Max.: 10	235
F1-19 (03AE)	dv4 Detection Selection	DV4 Det Sel	<p><input type="radio"/> V/f <input type="radio"/> V/f w PG <input type="radio"/> OLV <input type="radio"/> CLV</p> <p><input type="radio"/> OLV/PM <input type="radio"/> AOLV/PM <input checked="" type="radio"/> CLV/PM</p> <p>0: Disabled n: Number of pulses that the A and B pulse are reversed that triggers dv4 detection.</p>	Default: 128 Min.: 0 Max.: 5000	235
F1-20 (03B4)	PG Option Card Disconnect Detection 1	PGCardDisconDet1 0: Disabled 1: Enabled	<p><input type="radio"/> V/f <input checked="" type="radio"/> V/f w PG <input type="radio"/> OLV <input checked="" type="radio"/> CLV</p> <p><input type="radio"/> OLV/PM <input type="radio"/> AOLV/PM <input checked="" type="radio"/> CLV/PM</p> <p>0: Disabled 1: Enabled</p>	Default: 1 Range: 0, 1	235
F1-21 (03BC)	PG 1 Signal Selection	PG1 Signal Sel 1 0: A Phase Det 1: A,B Phase Det	<p><input type="radio"/> V/f <input checked="" type="radio"/> V/f w PG <input type="radio"/> OLV <input type="radio"/> CLV</p> <p><input type="radio"/> OLV/PM <input type="radio"/> AOLV/PM <input type="radio"/> CLV/PM</p> <p>0: A pulse detection 1: AB pulse detection</p>	Default: 0 Range: 0, 1	235
F1-30 (03AA)	PG Card Option Port for Motor 2 Selection	Mtr2 PG Port Sel 0: Port CN5-C 1: Port CN5-B	<p><input type="radio"/> V/f <input checked="" type="radio"/> V/f w PG <input type="radio"/> OLV <input checked="" type="radio"/> CLV</p> <p><input type="radio"/> OLV/PM <input type="radio"/> AOLV/PM <input type="radio"/> CLV/PM</p> <p>0: CN5-C 1: CN5-B</p>	Default: 1 Range: 0, 1	235
F1-31 (03B0)	PG 2 Pulses Per Revolution	PG2 Pulses/Rev	<p><input type="radio"/> V/f <input checked="" type="radio"/> V/f w PG <input type="radio"/> OLV <input checked="" type="radio"/> CLV</p> <p><input type="radio"/> OLV/PM <input type="radio"/> AOLV/PM <input type="radio"/> CLV/PM</p> <p>Sets the number of pulses for a PG option card connected to port CN5-B.</p>	Default: 1024 ppr Min.: 1 Max.: 60000	233



No. (Addr. Hex)	Name	LCD Display	Description	Values	Page
F1-32 (03B1)	PG 2 Rotation Selection	PG2 Rotation Sel 0: Fwd = C.C.W 1: Fwd = C.W.	<input type="radio"/> V/f <input checked="" type="radio"/> V/f w PG <input type="radio"/> OLV <input checked="" type="radio"/> CLV <input type="radio"/> OLV/PM <input type="radio"/> AOLV/PM <input type="radio"/> CLV/PM 0: Pulse A leads 1: Pulse B leads	Default: 0 Range: 0, 1	234
F1-33 (03B2)	PG 2 Gear Teeth 1	PG2 Gear Teeth1	<input type="radio"/> V/f <input checked="" type="radio"/> V/f w PG <input type="radio"/> OLV <input type="radio"/> CLV <input type="radio"/> OLV/PM <input type="radio"/> AOLV/PM <input type="radio"/> CLV/PM Sets the gear ratio between the motor shaft and the encoder (PG). A gear ratio of 1 will be used if F1-33 or F1-34 are set to 0.	Default: 0 Min.: 0 Max.: 1000	234
F1-34 (03B3)	PG 2 Gear Teeth 2	PG2 Gear Teeth2	<input type="radio"/> V/f <input checked="" type="radio"/> V/f w PG <input type="radio"/> OLV <input type="radio"/> CLV <input type="radio"/> OLV/PM <input type="radio"/> AOLV/PM <input type="radio"/> CLV/PM Sets the gear ratio between the motor shaft and the encoder (PG). A gear ratio of 1 will be used if F1-33 or F1-34 are set to 0.	Default: 0 Min.: 0 Max.: 1000	234
F1-35 (03BE)	PG 2 Division Rate for Pulse Monitor	PG2 Output Ratio	<input type="radio"/> V/f <input checked="" type="radio"/> V/f w PG <input type="radio"/> OLV <input checked="" type="radio"/> CLV <input type="radio"/> OLV/PM <input type="radio"/> AOLV/PM <input type="radio"/> CLV/PM Sets the division ratio for the pulse monitor used of the PG option card 2 installed to port CN5-B. When setting for a three-digit number “xyz”, the division ratio becomes = $[(1 + x) / yz]$ .	Default: 1 Min.: 1 Max.: 132	234
F1-36 (03B5)	PG Option Card Disconnect Detection 2	PGCardDisconDet1 0: Disabled 1: Enabled	<input type="radio"/> V/f <input checked="" type="radio"/> V/f w PG <input type="radio"/> OLV <input checked="" type="radio"/> CLV <input type="radio"/> OLV/PM <input type="radio"/> AOLV/PM <input type="radio"/> CLV/PM 0: Disabled 1: Enabled	Default: 1 Range: 0, 1	235
F1-37 (03BD)	PG 2 Signal Selection	PG2 Signal Sel 0: A Phase Det 1: A,B Phase Det	<input type="radio"/> V/f <input checked="" type="radio"/> V/f w PG <input type="radio"/> OLV <input type="radio"/> CLV <input type="radio"/> OLV/PM <input type="radio"/> AOLV/PM <input type="radio"/> CLV/PM 0: A pulse detection 1: AB pulse detection	Default: 0 Range: 0, 1	235
F1-50 (03D2)	Encoder Selection	Encoder Select 0: EnDat Sin/Cos 1: EnDat SerialOnly 2: Hiperface	<input type="radio"/> V/f <input checked="" type="radio"/> V/f w PG <input type="radio"/> OLV <input type="radio"/> CLV <input type="radio"/> OLV/PM <input type="radio"/> AOLV/PM <input checked="" type="radio"/> CLV/PM Selects the encoder connected the PG-F3 option. 0: EnDat 2.1/01, 2.2/01 Serial Communication + Sin/Cos 1: EnDat 2.2/22 Serial Communication 2: Hiperface  <b>Note:</b> The use of EnDat2.2/22 encoders requires a PG-F3 option with software version 0102 or later. To identify the PG-F3 software version refer to the PG-F3 label in the field designated “C/N” (S + four digit number).	Default: 0 Range: 0 to 2	236
F1-51 (03D3)	PGoH Detection Level	PGOH Det Level	<input type="radio"/> V/f <input type="radio"/> V/f w PG <input type="radio"/> OLV <input type="radio"/> CLV <input type="radio"/> OLV/PM <input type="radio"/> AOLV/PM <input checked="" type="radio"/> CLV/PM Sets the level for detecting PG Hardware Fault (PGoH). Available when F1-20 = 1	Default: 80% Min.: 1 Max.: 100	236
F1-52 (03D4)	Communication Speed of Serial Encoder Selection	Ser Enc Comm Spd 0: 1M/9600bps 1: 500k/19200bps 2: 1M/38400bps 3: 1M/38400bps	<input type="radio"/> V/f <input type="radio"/> V/f w PG <input type="radio"/> OLV <input type="radio"/> CLV <input type="radio"/> OLV/PM <input type="radio"/> AOLV/PM <input checked="" type="radio"/> CLV/PM Selects the communication speed between the PG-F3 option and serial encoder. 0: 1M bps/9600 bps (EnDat 2.2/22 / Hiperface) 1: 500k bps/19200 bps (EnDat 2.2/22 / Hiperface) 2: 1M bps/38400 bps (EnDat 2.2/22 / Hiperface) 3: 1M bps/38400 bps (EnDat 2.2/22 / Hiperface)	Default: 0 Range: 0 to 3	236

<1> Default setting is determined by parameter A1-02, Control Method Selection.



◆ F2: Analog Input Card Settings (AI-A3)

No. (Addr. Hex)	Name	LCD Display	Description	Values	Page
F2-01 (038F)	Analog Input Option Card Operation Selection	AI Function Sel 0: 3ch Individual 1: 3ch Addition	<b>All Modes</b> 0: Option card input terminals V1, V2, and V3 replace drive input terminals A1, A2, and A3. 1: Input signals to terminals V1, V2, and V3 are added together to create the frequency reference.	Default: 0 Range: 0, 1	236
F2-02 (0368) 	Analog Input Option Card Gain	AI Input Gain	<b>All Modes</b> Sets the gain for the input signal to the analog card.	Default: 100.0% Min.: -999.9 Max.: 999.9	237
F2-03 (0369) 	Analog Input Option Card Bias	AI Input Bias	<b>All Modes</b> Sets the bias for the input signal to the analog card.	Default: 0.0% Min.: -999.9 Max.: 999.9	237



◆ F3: Digital Input Card Settings (DI-A3)

No. (Addr. Hex)	Name	LCD Display	Description	Values	Page
F3-01 (0390)	Digital Input Option Card Input Selection	DI Function Sel 0: BCD 1% 1: BCD 0.1% 2: BCD 0.01% 3: BCD 1 Hz 4: BCD 0.1 Hz 5: BCD 0.01 Hz 6: BCD(5DG) 0.01 Hz 7: Binary	<b>All Modes</b> 0: BCD, 1% units 1: BCD, 0.1% units 2: BCD, 0.01% units 3: BCD, 1 Hz units 4: BCD, 0.1 Hz units 5: BCD, 0.01 Hz units 6: BCD customized setting (5-digit), 0.02 Hz units 7: Binary input The unit and the setting range are determined by F3-03. F3-03 = 0: 255/100% (-255 to +255) F3-03 = 1: 40961/100% (-4095 to +4095) F3-03 = 2: 30000/100% (-33000 to +33000) When the digital operator units are set to be displayed in Hz or user-set units (o1-03 = 2 or 3), the units for F3-01 are determined by parameter o1-03.	Default: 0 Range: 0 to 7	237
F3-03 (03B9)	Digital Input Option DI-A3 Data Length Selection	Data length Sel 0: 8bit 1: 12bit 2: 16bit	<b>All Modes</b> 0: 8 bit 1: 12 bit 2: 16 bit	Default: 2 Range: 0 to 2	237

◆ F4: Analog Monitor Card Settings (AO-A3)

No. (Addr. Hex)	Name	LCD Display	Description	Values	Page
F4-01 (0391)	Terminal V1 Monitor Selection	AO Ch1 Select	<b>All Modes</b> Sets the monitor signal for output from terminal V1. Set this parameter to the last three digits of the desired U□-□□ monitor. Some U parameters are available only in certain control modes.	Default: 102 Range: 000 to 999	238
F4-02 (0392) 	Terminal V1 Monitor Gain	AO Ch1 Gain	<b>All Modes</b> Sets the gain for voltage output via terminal V1.	Default: 100.0% Min.: -999.9 Max.: 999.9	238
F4-03 (0393)	Terminal V2 Monitor Selection	AO Ch2 Select	<b>All Modes</b> Sets the monitor signal for output from terminal V2. Set this parameter to the last three digits of the desired U□-□□ monitor. Some U parameters are available only in certain control modes.	Default: 103 Range: 000 to 999	238
F4-04 (0394) 	Terminal V2 Monitor Gain	AO Ch2 Gain	<b>All Modes</b> Sets the gain for voltage output via terminal V2.	Default: 50.0% Min.: -999.9 Max.: 999.9	238



No. (Addr. Hex)	Name	LCD Display	Description	Values	Page
F4-05 (0395) 	Terminal V1 Monitor Bias	AO Ch1 Bias	<b>All Modes</b> Sets the amount of bias added to the voltage output via terminal V1.	Default: 0.0% Min.: -999.9 Max.: 999.9	238
F4-06 (0396) 	Terminal V2 Monitor Bias	AO Ch2 Bias	<b>All Modes</b> Sets the amount of bias added to the voltage output via terminal V2.	Default: 0.0% Min.: -999.9 Max.: 999.9	238
F4-07 (0397)	Terminal V1 Signal Level	AO Opt Level Ch1 0: 0-10 VDC 1: -10 +10 VDC	<b>All Modes</b> 0: 0 to 10 V 1: -10 to 10 V	Default: 0 Range: 0, 1	238
F4-08 (0398)	Terminal V2 Signal Level	AO Opt Level Ch2 0: 0-10 VDC 1: -10 +10 VDC	<b>All Modes</b> 0: 0 to 10 V 1: -10 to 10 V	Default: 0 Range: 0, 1	238

◆ F5: Digital Output Card Settings (DO-A3)

No. (Addr. Hex)	Name	LCD Display	Description	Values	Page
F5-01 (0399)	Terminal P1-PC Output Selection	DO Ch1 Select	<b>All Modes</b> Sets the function for contact output terminals M1-M2, M3-M4, and photocoupler output terminals P1 through P6.	Default: 0 Range: 0 to 192	239
F5-02 (039A)	Terminal P2-PC Output Selection	DO Ch2 Select		Default: 1 Range: 0 to 192	239
F5-03 (039B)	Terminal P3-PC Output Selection	DO Ch3 Select		Default: 2 Range: 0 to 192	239
F5-04 (039C)	Terminal P4-PC Output Selection	DO Ch4 Select		Default: 4 Range: 0 to 192	239
F5-05 (039D)	Terminal P5-PC Output Selection	DO Ch5 Select		Default: 6 Range: 0 to 192	239
F5-06 (039E)	Terminal P6-PC Output Selection	DO Ch6 Select		Default: 37 Range: 0 to 192	239
F5-07 (039F)	Terminal M1-M2 Output Selection	DO Ch7 Select		Default: F Range: 0 to 192	239
F5-08 (03A0)	Terminal M3-M4 Output Selection	DO Ch8 Select		Default: F Range: 0 to 192	239
F5-09 (03A1)	DO-A3 Output Mode Selection	DO Function Sel	<b>All Modes</b> 0: Output terminals are each assigned separate output functions. 1: Binary code output. 2: Use output terminal functions selected by parameters F5-01 through F5-08.	Default: 0 Range: 0 to 2	239

**◆ F6: Communication Option Card Settings (SI-C3, SI-ET3, SI-N3, SI-P3, SI-S3, SI-T3, SI-W3)**

Parameters F6-01 through F6-03 and F6-06 through F6-08 are used for CC-Link, CANopen, DeviceNet, PROFINET, LonWorks, PROFIBUS-DP, MECHATROLINK-II, and MECHATROLINK-III options. Other parameters in the F6 group are used for communication-protocol-specific settings. For more details on a specific option card, refer to the instruction manual for the option.

No. (Addr. Hex)	Name	LCD Display	Description	Values	Page
F6-01 (03A2)	Communications Error Operation Selection	Comm Bus Flt Sel 0: Ramp to Stop 1: Coast to Stop 2: Fast-Stop 3: Alarm Only	<b>All Modes</b> 0: Ramp to stop. Decelerate to stop using the deceleration time in C1-02. 1: Coast to stop. 2: Fast Stop. Decelerate to stop using the deceleration time in C1-09. 3: Alarm only.	Default: 1 Range: 0 to 3	239
F6-02 (03A3)	External Fault from Comm. Option Detection Selection	EF0 Detection 0: Always Detected 1: Only During Run	<b>All Modes</b> 0: Always detected. 1: Detection during run only.	Default: 0 Range: 0, 1	240
F6-03 (03A4)	External Fault from Comm. Option Operation Selection	EF0 Fault Action 0: Ramp to Stop 1: Coast to Stop 2: Fast-Stop 3: Alarm Only	<b>All Modes</b> 0: Ramp to stop. Decelerate to stop using the deceleration time in C1-02. 1: Coast to stop. 2: Fast Stop. Decelerate to stop using the deceleration time in C1-09. 3: Alarm only.	Default: 1 Range: 0 to 3	240
F6-04 (03A5)	bUS Error Detection Time	BUS Err Det Time	<b>All Modes</b> Sets the delay time for error detection if a bus error occurs.	Default: 2.0 s Min.: 0.0 Max.: 5.0	241
F6-06 (03A7)	Torque Reference/Torque Limit Selection from Comm. Option	Torq Ref/Lmt Sel 0: Disabled 1: Enabled	<input type="checkbox"/> V/f <input type="checkbox"/> V/f w PG <input type="checkbox"/> OLV <input checked="" type="checkbox"/> CLV <input type="checkbox"/> OLV/PM <input checked="" type="checkbox"/> AOLV/PM <input checked="" type="checkbox"/> CLV/PM 0: Disabled. Torque reference/limit from option board disabled. 1: Enabled. Torque reference/limit from option board enabled.	Default: 0 Range: 0, 1	240
F6-07 (03A8)	Multi-Step Speed Enable/Disable Selection when NefRef/ComRef is Selected	Fref PrioritySel 0: Net/Com REF 1: MultiStep Speed	<b>All Modes</b> 0: Multi-step reference disabled (same as F7) 1: Multi-step reference enabled (same as V7)	Default: 0 Range: 0, 1	240
F6-08 (036A) </>	Reset Communication Parameters	Com Prm Init Sel 0: Init Com Prms 1: No Init Com Prms	<b>All Modes</b> 0: Communication-related parameters (F6-□□/ F7-□□) are not reset when the drive is initialized using A1-03. 1: Reset all communication-related parameters (F6-□□/ F7-□□) when the drive is initialized using A1-03.	Default: 0 Range: 0, 1	240
F6-10 (03B6)	CC-Link Node Address	CC-Link Node Add	<b>All Modes</b> Sets the node address if a CC-Link option is installed.	Default: 0 Min.: 0 Max.: 64	241
F6-11 (03B7)	CC-Link Communication Speed	CC-Link Baud 0: 156 kbps 1: 625 kbps 2: 2.5 Mbps 3: 5 Mbps 4: 10 Mbps	<b>All Modes</b> 0: 156 Kbps 1: 625 Kbps 2: 2.5 Mbps 3: 5 Mbps 4: 10 Mbps	Default: 0 Range: 0 to 4	241
F6-14 (03BB)	CC-Link bUS Error Auto Reset	Bus Err Auto Rst 0: Disabled 1: Enabled	<b>All Modes</b> 0: Disabled 1: Enabled	Default: 0 Range: 0, 1	241
F6-20 (036B)	MECHATROLINK Station Address	Station Address	<b>All Modes</b> Sets the station address when the MECHATROLINK option has been installed.	Default: 21 Min.: 20 </> Max.: 3F </>	241
F6-21 (036C)	MECHATROLINK Frame Size	Frame length	<b>All Modes</b> 0: 32-byte </> 1: 17-byte </>	Default: 0 Range: 0, 1	241

No. (Addr. Hex)	Name	LCD Display	Description	Values	Page
F6-22 (036D)	MECHATROLINK Link Speed	Link Speed 0: 10MHz 1: 4MHz	<b>All Modes</b> 0: 10 Mbps 1: 4 Mbps	Default: 0 Range: 0, 1	242
F6-23 (036E)	MECHATROLINK Monitor Selection (E)	Mon E register	<b>All Modes</b> Sets the MECHATROLINK monitor (E).	Default: 0 Min.: 0 Max.: FFFF	242
F6-24 (036F)	MECHATROLINK Monitor Selection (F)	Mon F register	<b>All Modes</b> Sets the MECHATROLINK monitor (F).	Default: 0 Min.: 0 Max.: FFFF	242
F6-25 (03C9)	Operation Selection at MECHATROLINK Watchdog Timer Error (E5)	SI-T WDTerr Sel 0: Ramp to Stop 1: Coast to Stop 2: Fast-Stop 3: Alarm Only	<b>All Modes</b> 0: Ramp to stop. Decelerate using the deceleration time in C1-02. 1: Coast to stop 2: Fast stop. Decelerate using the deceleration time in C1-09. 3: Alarm only	Default: 1 Range: 0 to 3	242
F6-26 (03CA)	MECHATROLINK bUS Errors Detected	Num of SI-T BUS	<b>All Modes</b> Sets the number of option communication errors (bUS).	Default: 2 Min.: 2 Max.: 10	242
F6-30 (03CB)	PROFIBUS-DP Node Address	PB Node Address	<b>All Modes</b> Sets the node address.	Default: 0 Min.: 0 Max.: 125	242
F6-31 (03CC)	PROFIBUS-DP Clear Mode Selection	PB Clear Select 0: Reset to Zero 1: Hold Prev Value	<b>All Modes</b> 0: Resets drive operation with a Clear mode command. 1: Maintains the previous operation state when Clear mode command is given.	Default: 0 Range: 0, 1	243
F6-32 (03CD)	PROFIBUS-DP Data Format Selection	PB Map Select 0: PPO Type 1: Conventional	<b>All Modes</b> 0: PPO Type 1: Conventional	Default: 0 Range: 0, 1	243
F6-35 (03D0)	CANopen Node ID Selection	CO Node Address	<b>All Modes</b> Sets the node address.	Default: 0 Min.: 0 Max.: 126	243
F6-36 (03D1)	CANopen Communication Speed	CO Baud Rate 0: Auto Detect 1: 10 kbps 2: 20 kbps 3: 50 kbps 4: 125 kbps 5: 250 kbps 6: 500 kbps 7: 800 kbps 8: 1Mbps	<b>All Modes</b> 0: Auto-detection 1: 10 kbps 2: 20 kbps 3: 50 kbps 4: 125 kbps 5: 250 kbps 6: 500 kbps 7: 800 kbps 8: 1 Mbps	Default: 6 Range: 0 to 8	243
F6-40 (03D5)	CompoNet Node Address	CN Node Adress	<b>All Modes</b> Reserved.	-	-
F6-41 (03D6)	CompoNet Communication Speed	CN Baud Rate	<b>All Modes</b> Reserved.	-	-
F6-50 (03C1)	DeviceNet MAC Address	DN MAC Address	<b>All Modes</b> Selects the drive MAC address.	Default: 64 Min.: 0 Max.: 64	243
F6-51 (03C2)	DeviceNet Communication Speed	DN Baud Rate 0: 125 kbps 1: 250 kbps 2: 500 kbps 3: Set from Network 4: Auto Detect	<b>All Modes</b> 0: 125 kbps 1: 250 kbps 2: 500 kbps 3: Adjustable from network 4: Detect automatically	Default: 4 Range: 0 to 4	244
F6-52 (03C3)	DeviceNet PCA Setting	PCA Selection	<b>All Modes</b> Sets the format of the data set from the DeviceNet master to the drive.	Default: 21 Min.: 0 Max.: 255	244
F6-53 (03C4)	DeviceNet PPA Setting	PPA Selection	<b>All Modes</b> Sets the format of the data set from the drive to the DeviceNet master.	Default: 71 Min.: 0 Max.: 255	244

## B.8 F: Option Settings

No. (Addr. Hex)	Name	LCD Display	Description	Values	Page
F6-54 (03C5)	DeviceNet Idle Mode Fault Detection	DN Idle Flt Det 0: Stop 1: Ignore	<b>All Modes</b> 0: Enabled 1: Disabled, no fault detection	Default: 0 Range: 0, 1	244
F6-55 (03C6)	DeviceNet Baud Rate Monitor	DN BAUD RATE MEM 0: 125 kbps 1: 250 kbps 2: 500 kbps	<b>All Modes</b> Verifies the baud rate running on the network. 0: 125 kbps 1: 250 kbps 2: 500 kbps	Default: 0 Range: 0 to 2	244
F6-56 (03D7)	DeviceNet Speed Scaling	Speed Scale	<b>All Modes</b> Sets the scaling factor for the speed monitor in DeviceNet.	Default: 0 Min.: -15 Max.: 15	244
F6-57 (03D8)	DeviceNet Current Scaling	Current Scale	<b>All Modes</b> Sets the scaling factor for the output current monitor in DeviceNet.	Default: 0 Min.: -15 Max.: 15	244
F6-58 (03D9)	DeviceNet Torque Scaling	Torque Scale	<b>All Modes</b> Sets the scaling factor for the torque monitor in DeviceNet.	Default: 0 Min.: -15 Max.: 15	244
F6-59 (03DA)	DeviceNet Power Scaling	Power Scale	<b>All Modes</b> Sets the scaling factor for the power monitor in DeviceNet.	Default: 0 Min.: -15 Max.: 15	244
F6-60 (03DB)	DeviceNet Voltage Scaling	Voltage Scale	<b>All Modes</b> Sets the scaling factor for the voltage monitor in DeviceNet.	Default: 0 Min.: -15 Max.: 15	244
F6-61 (03DC)	DeviceNet Time Scaling	Time Scale	<b>All Modes</b> Sets the scaling factor for the time monitor in DeviceNet.	Default: 0 Min.: -15 Max.: 15	244
F6-62 (03DD)	DeviceNet Heartbeat Interval	DN Heart Beat	<b>All Modes</b> Sets the heartbeat interval for DeviceNet communications.	Default: 0 Min.: 0 Max.: 10	245
F6-63 (03DE)	DeviceNet Network MAC ID	DN MAC ID MEM	<b>All Modes</b> Saves and monitors settings 0 to 63 of F6-50 (DeviceNet MAC Address).	Default: 63 Min.: 0 Max.: 63	245
F6-64 to F6-71 (03DF to 03C8)	Reserved	–	<b>All Modes</b> Reserved for Dynamic I/O Assembly Parameters.	–	–
F6-72 (03DE)	PowerLink Node Address	PowerLink NodeID	<b>All Modes</b> Reserved.	–	–

<1> Parameter setting value is not reset to the default value when the drive is initialized.

<2> Values shown are for the MECHATROLINK-II option (SI-T3). Values for MECHATROLINK-III option (SI-ET3) are:

Min: 03  
Max.: EF

<3> Values shown are for the MECHATROLINK-II option (SI-T3). Values for MECHATROLINK-III option (SI-ET3) are:

0: 64-byte  
1: 32-byte

## ◆ F7: Communication Option Card Settings (SI-EM3, SI-EN3, SI-EP3)

F7 parameters are used for EtherNet/IP, Modbus TCP/IP, and PROFINET options. Other parameters in the F7 group are used for communication-protocol-specific settings. For more details on a specific option card, refer to the instruction manual for the option.

No. (Addr. Hex)	Name	LCD Display	Description	Values	Page
F7-01 (03E5) </>	IP Address 1	IP Address 1	<b>All Modes</b> Sets the most significant octet of network static IP address.	Default: 192 Range: 0 to 255	-
F7-02 (03E6) </>	IP Address 2	IP Address 2	<b>All Modes</b> Sets the second most significant octet of network static IP address.	Default: 168 Range: 0 to 255	-
F7-03 (03E7) </>	IP Address 3	IP Address 3	<b>All Modes</b> Sets the third most significant octet of network static IP address.	Default: 1 Range: 0 to 255	-
F7-04 (03E8) </>	IP Address 4	IP Address 4	<b>All Modes</b> Sets the fourth most significant octet of network static IP address.	Default: 20 Range: 0 to 255	-
F7-05 (03E9)	Subnet Mask 1	Subnet Mask 1	<b>All Modes</b> Sets the most significant octet of network static Subnet Mask.	Default: 255 Range: 0 to 255	-
F7-06 (03EA)	Subnet Mask 2	Subnet Mask 2	<b>All Modes</b> Sets the second most significant octet of network static Subnet Mask.	Default: 255 Range: 0 to 255	-
F7-07 (03EB)	Subnet Mask 3	Subnet Mask 3	<b>All Modes</b> Sets the third most significant octet of network static Subnet Mask.	Default: 255 Range: 0 to 255	-
F7-08 (03EC)	Subnet Mask 4	Subnet Mask 4	<b>All Modes</b> Sets the fourth most significant octet of network static Subnet Mask.	Default: 0 Range: 0 to 255	-
F7-09 (03ED)	Gateway Address 1	Gateway IP Add 1	<b>All Modes</b> Sets the most significant octet of network Gateway address.	Default: 192 Range: 0 to 255	-
F7-10 (03EE)	Gateway Address 2	Gateway IP Add 2	<b>All Modes</b> Sets the second most significant octet of network Gateway address.	Default: 168 Range: 0 to 255	-
F7-11 (03EF)	Gateway Address 3	Gateway IP Add 3	<b>All Modes</b> Sets the third most significant octet of network Gateway address.	Default: 1 Range: 0 to 255	-
F7-12 (03E0)	Gateway Address 4	Gateway IP Add 4	<b>All Modes</b> Sets the fourth most significant octet of network Gateway address.	Default: 1 Range: 0 to 255	-
F7-13 (03F1)	Address Mode at Startup	IP Add Mode Sel 0: User Defined 1: BOOTP 2: DHCP	<b>All Modes</b> Select the option address setting method 0: Static </> 1: BOOTP 2: DHCP	Default: 2 Range: 0 to 2	-
F7-14 (03F2)	Duplex Mode Selection	Duplex Select 0: Half Duplex 1: Auto Negotiate 2: Full Duplex	<b>All Modes</b> Selects duplex mode setting. 0: Half duplex forced 1: Auto-negotiate duplex mode and communication speed 2: Full duplex forced	Default: 1 Range: 0 to 2	-
F7-15 (03F3)	Communication Speed Selection	Baud Rate 10: 10 Mbps 100: 100 Mbps	<b>All Modes</b> Sets the communication speed 10: 10 Mbps 100: 100 Mbps	Default: 10 Range: 10, 100	-
F7-16 (03F4)	Communication Loss Timeout	CommLoss Tout	<b>All Modes</b> Sets the timeout value for communication loss detection in tenths of a second. A value of 0 disables the connection timeout. Example: An entered value of 100 represents 10.0 seconds.	Default: 0 Min.: 0 Max.: 300	-
F7-17 (03F5)	EtherNet/IP Speed Scaling Factor	EN Speed Scale	<b>All Modes</b> Sets the scaling factor for the speed monitor in EtherNet/IP Class ID 2AH Object.	Default: 0 Min.: -15 Max.: 15	-

## B.8 F: Option Settings

No. (Addr. Hex)	Name	LCD Display	Description	Values	Page
F7-18 (03F6)	EtherNet/IP Current Scaling Factor	EN Current Scale	<b>All Modes</b> Sets the scaling factor for the output current monitor in EtherNet/IP Class ID 2AH Object.	Default: 0 Min.: -15 Max.: 15	–
F7-19 (03F7)	EtherNet/IP Torque Scaling Factor	EN Torque Scale	<b>All Modes</b> Sets the scaling factor for the torque monitor in EtherNet/IP Class ID 2AH Object.	Default: 0 Min.: -15 Max.: 15	–
F7-20 (03F8)	EtherNet/IP Power Scaling Factor	EN Power Scale	<b>All Modes</b> Sets the scaling factor for the power monitor in EtherNet/IP Class ID 2AH Object.	Default: 0 Min.: -15 Max.: 15	–
F7-21 (03F9)	EtherNet/IP Voltage Scaling Factor	EN Voltage Scale	<b>All Modes</b> Sets the scaling factor for the voltage monitor in EtherNet/IP Class ID 2AH Object.	Default: 0 Min.: -15 Max.: 15	–
F7-22 (03FA)	EtherNet/IP Time Scaling	EN Time Scale	<b>All Modes</b> Sets the scaling factor for the time monitor in EtherNet/IP Class ID 2AH Object.	Default: 0 Min.: -15 Max.: 15	–
F7-23 to F7-32 (03FB to 0374)	Dynamic Output Assembly Parameters	–	<b>All Modes</b> Parameters used in Output Assembly 116. Each parameter contains a MEMOBUS/Modbus address. The value received for Output Assembly 116 will be written to this corresponding MEMOBUS/Modbus address. A MEMOBUS/Modbus address value of 0 means that the value received for Output Assembly 116 will not be written to any MEMOBUS/Modbus register.	Default: 0	–
F7-33 to F7-42 (0375 to 037E)	Dynamic Input Assembly Parameters	–	<b>All Modes</b> Parameters used in Input Assembly 166. Each parameter contains a MEMOBUS/Modbus address. The value sent for Input Assembly 166 will be read from this corresponding MEMOBUS/Modbus address. A MEMOBUS/Modbus address value of 0 means that the value sent for Input Assembly 166 is not defined by the user, therefore the option default register value will be returned.	Default: 0	–

<1> Cycle power for setting changes to take effect.

<2> If F7-13 is set to 0, then all IP Addresses (as defined with parameters F7-01 to F7-04) must be unique.



## B.9 H Parameters: Multi-Function Terminals

H parameters assign functions to the multi-function input and output terminals.

### ◆ H1: Multi-Function Digital Inputs

No. (Addr. Hex)	Name	LCD Display	Description	Values	Page
H1-01 (0438)	Multi-Function Digital Input Terminal S1 Function Selection	Term S1 Func Sel	<b>All Modes</b> Assigns a function to the multi-function digital inputs. Refer to pages 483 to 488 for descriptions of setting values. <b>Note:</b> Set unused terminals to F.	Default: 40 (F) </> Min.: 1 Max.: 9F	246
H1-02 (0439)	Multi-Function Digital Input Terminal S2 Function Selection	Term S2 Func Sel	<b>All Modes</b> Assigns a function to the multi-function digital inputs. Refer to pages 483 to 488 for descriptions of setting values. <b>Note:</b> Set unused terminals to F.	Default: 41 (F) </> Min.: 1 Max.: 9F	246
H1-03 (0400)	Multi-Function Digital Input Terminal S3 Function Selection	Term S3 Func Sel	<b>All Modes</b> Assigns a function to the multi-function digital inputs. Refer to pages 483 to 488 for descriptions of setting values. <b>Note:</b> Set unused terminals to F.	Default: 24 Min.: 0 Max.: 9F	246
H1-04 (0401)	Multi-Function Digital Input Terminal S4 Function Selection	Term S4 Func Sel	<b>All Modes</b> Assigns a function to the multi-function digital inputs. Refer to pages 483 to 488 for descriptions of setting values. <b>Note:</b> Set unused terminals to F.	Default: 14 Min.: 0 Max.: 9F	246
H1-05 (0402)	Multi-Function Digital Input Terminal S5 Function Selection	Term S5 Func Sel	<b>All Modes</b> Assigns a function to the multi-function digital inputs. Refer to pages 483 to 488 for descriptions of setting values. <b>Note:</b> Set unused terminals to F.	Default: 3 (0) </> Min.: 0 Max.: 9F	246
H1-06 (0403)	Multi-Function Digital Input Terminal S6 Function Selection	Term S6 Func Sel	<b>All Modes</b> Assigns a function to the multi-function digital inputs. Refer to pages 483 to 488 for descriptions of setting values. <b>Note:</b> Set unused terminals to F.	Default: 4 (3) </> Min.: 0 Max.: 9F	246
H1-07 (0404)	Multi-Function Digital Input Terminal S7 Function Selection	Term S7 Func Sel	<b>All Modes</b> Assigns a function to the multi-function digital inputs. Refer to pages 483 to 488 for descriptions of setting values. <b>Note:</b> Set unused terminals to F.	Default: 6 (4) </> Min.: 0 Max.: 9F	246
H1-08 (0405)	Multi-Function Digital Input Terminal S8 Function Selection	Term S8 Func Sel	<b>All Modes</b> Assigns a function to the multi-function digital inputs. Refer to pages 483 to 488 for descriptions of setting values. <b>Note:</b> Set unused terminals to F.	Default: 8 Min.: 0 Max.: 9F	246

</> Value in parenthesis is the default setting when a 3-Wire initialization is performed (A1-03 = 3330).

H1 Multi-Function Digital Input Selections					
H1-□□ Setting	Function	LCD Display	Description	Page	
0	3-Wire sequence	3-Wire Control	<b>All Modes</b> Closed: Reverse rotation (only if the drive is set up for 3-Wire sequence) Terminals S1 and S2 are automatically set up for the Run command and Stop command.	247	Parameter List
1	LOCAL/REMOTE selection	Local/Remote Sel	<b>All Modes</b> Open: REMOTE (parameter settings determine the source of the frequency Reference 1 or 2 (b1-01, b1-02 or b1-15, b1-16)) Closed: LOCAL, Frequency reference and Run command are input from the digital operator.	247	

## B.9 H Parameters: Multi-Function Terminals

H1 Multi-Function Digital Input Selections				
H1-□□ Setting	Function	LCD Display	Description	Page
2	External reference 1/2 selection	Ext Ref Sel	<b>All Modes</b> Open: Run command and frequency reference source 1 (determined by b1-01 and b1-02) Closed: Run command and frequency reference source 2 (determined by b1-15 and b1-16)	248
3	Multi-Step Speed Reference 1	Multi-Step Ref 1	<b>All Modes</b> When input terminals are set to Multi-Step Speed References 1 through 3, switching combinations of those terminals will create a multi-step speed sequence using the frequency references set in d1-01 through d1-08.	248
4	Multi-Step Speed Reference 2	Multi-Step Ref 2	<b>All Modes</b> When input terminals are set to Multi-Step Speed References 1 through 3, switching combinations of those terminals will create a multi-step speed sequence using the frequency references set in d1-01 through d1-08.	248
5	Multi-Step Speed Reference 3	Multi-Step Ref 3	<b>All Modes</b> When input terminals are set to Multi-Step Speed References 1 through 3, switching combinations of those terminals will create a multi-step speed sequence using the frequency references set in d1-01 through d1-08.	248
6	Jog reference selection	Jog Freq Ref	<b>All Modes</b> Closed: Jog frequency reference (d1-17) selected. Jog has priority over all other reference sources.	248
7	Accel/decel time selection 1	Multi-Acc/Dec 1	<b>All Modes</b> Used to switch between accel/decel time 1 (set in C1-01, C1-02) and accel/decel time 2 (set in C1-03, C1-04).	248
8	Baseblock command (N.O.)	Ext BaseBlk N.O.	<b>All Modes</b> Closed: No drive output	248
9	Baseblock command (N.C.)	Ext BaseBlk N.C.	<b>All Modes</b> Open: No drive output	248
A	Accel/decel ramp hold	Acc/Dec RampHold	<b>All Modes</b> Open: Accel/decel is not held Closed: The drive pauses during acceleration or deceleration and maintains the output frequency.	248
B	Drive overheat alarm (oH2)	OH2 Alarm Signal	<b>All Modes</b> Closed: Closes when an oH2 alarm occurs	249
C	Analog terminal input selection	Term A2 Enable	<b>All Modes</b> Open: Function assigned by H3-14 is disabled. Closed: Function assigned by H3-14 is enabled.	249
D	PG encoder disable	PG Fdbk Disable	<input type="checkbox"/> V/f <input checked="" type="checkbox"/> V/f w PG <input type="checkbox"/> OLV <input type="checkbox"/> CLV <input type="checkbox"/> OLV/PM <input type="checkbox"/> AOLV/PM <input type="checkbox"/> CLV/PM Open: Speed feedback for V/f Control with PG is enabled. Closed: Speed feedback disabled.	249
E	ASR integral reset	ASR Intgrl Reset	<input type="checkbox"/> V/f <input checked="" type="checkbox"/> V/f w PG <input type="checkbox"/> OLV <input checked="" type="checkbox"/> CLV <input type="checkbox"/> OLV/PM <input checked="" type="checkbox"/> AOLV/PM <input checked="" type="checkbox"/> CLV/PM Open: PI control Closed: Integral reset	249
F	Through mode	Term Not Used	<b>All Modes</b> Select this setting when the terminal is not used or when using the terminal in the pass-through mode. The terminal does not trigger a drive function, but can be used as digital input for the controller to which the drive is connected.	249
10	Up command	Up Command 1	<b>All Modes</b> The drive accelerates when the Up command terminal closes, and decelerates when the Down command closes. When both terminals are closed or both are open, the drive holds the frequency reference. The Up and Down commands must always be used in conjunction with one another.	249



H1 Multi-Function Digital Input Selections				
H1-□□ Setting	Function	LCD Display	Description	Page
11	Down command	Down Command 1	<b>All Modes</b> The drive accelerates when the Up command terminal closes, and decelerates when the Down command closes. When both terminals are closed or both are open, the drive holds the frequency reference. The Up and Down commands must always be used in conjunction with one another.	249
12	Forward Jog	Forward Jog	<b>All Modes</b> Closed: Runs forward at the Jog frequency d1-17.	250
13	Reverse Jog	Reverse Jog	<b>All Modes</b> Closed: Runs reverse at the Jog frequency d1-17.	250
14	Fault reset	Fault Reset	<b>All Modes</b> Closed: Resets faults if the cause is cleared and the Run command is removed.	250
15	Fast Stop (N.O.)	Fast-Stop N.O.	<b>All Modes</b> Closed: Decelerates at the Fast Stop time set to C1-09.	250
16	Motor 2 selection	Motor 2 Select	<b>V/f</b> <b>V/f w PG</b> <b>OLV</b> <b>CLV</b> <b>OLV/PM</b> <b>AOLV/PM</b> <b>CLV/PM</b> Open: Motor 1 (E1-□□, E2-□□) Closed: Motor 2 (E3-□□, E4-□□)	251
17	Fast Stop (N.C.)	Fast-Stop N.C.	<b>All Modes</b> Open: Decelerates to stop at the Fast Stop time set to C1-09.	250
18	Timer function input	Timer function	<b>All Modes</b> Triggers the timer set up by parameters b4-01 and b4-02. Must be set in conjunction with the timer function output (H2-□□ = 12).	251
19	PID disable	PID Disable	<b>All Modes</b> Open: PID control enabled Closed: PID control disabled	252
1A	Accel/decel time selection 2	Multi-Acc/Dec 2	<b>All Modes</b> Used in conjunction with an input terminal set for “Accel/decel time selection 1” (H1-□□ = 7), and allows the drive to switch between accel/decel times 3 and 4.	252
1B	Program lockout	Program Lockout	<b>All Modes</b> Open: Parameters cannot be edited (except for U1-01 if the reference source is assigned to the digital operator). Closed: Parameters can be edited and saved.	252
1E	Reference sample hold	Ref Sample Hold	<b>All Modes</b> Closed: Samples the analog frequency reference and operates the drive at that speed.	252

## B.9 H Parameters: Multi-Function Terminals

H1 Multi-Function Digital Input Selections				
H1-□□ Setting	Function	LCD Display	Description	Page
20 to 2F	External fault	20: NO/Always Det, Ramp to Stop 21: NC/Always Det, Ramp to Stop 22: NO/During RUN, Ramp to Stop 23: NC/During RUN, ramp to stop 24: NO/ Always Det, Coast to Stop 25: NC/Always Det, Coast to Stop 26: NO/During RUN, Coast to Stop 27: NC/During RUN, Coast to Stop 28: NO/Always Det, Fast-Stop 29: NC/Always Det, Fast-Stop 2A: NO/During RUN, Fast-Stop 2B: NC/During RUN, Fast- Stop 2C: NO/Always Det, Alarm Only 2D: NC/Always Det, Alarm Only 2E: NO/ During RUN, Alarm Only 2F: NC/During RUN, Alarm Only	<b>All Modes</b> 20: N.O., Always detected, ramp to stop 21: N.C., Always detected, ramp to stop 22: N.O., During run, ramp to stop 23: N.C., During run, ramp to stop 24: N.O., Always detected, coast to stop 25: N.C., Always detected, coast to stop 26: N.O., During run, coast to stop 27: N.C., During run, coast to stop 28: N.O., Always detected, Fast Stop 29: N.C., Always detected, Fast Stop 2A: N.O., During run, Fast Stop 2B: N.C., During run, Fast Stop 2C: N.O., Always detected, alarm only (continue running) 2D: N.C., Always detected, alarm only (continue running) 2E: N.O., During run, alarm only (continue running) 2F: N.C., During run, alarm only (continue running)	252
30	PID integral reset	PID Intgrl Reset	<b>All Modes</b> Closed: Resets the PID control integral value.	253
31	PID integral hold	PID Intgrl Hold	<b>All Modes</b> Open: Performs integral operation. Closed: Maintains the current PID control integral value.	253
32	Multi-Step Speed Reference 4	Multi-Step Ref 4	<b>All Modes</b> Used in combination with input terminals set to Multi-Step Speed Reference 1, 2, and 3. Use parameters d1-09 to d1-16 to set reference values.	253
34	PID soft starter cancel	PID SFS Cancel	<b>All Modes</b> Open: PID soft starter is enabled. Closed: Disables the PID soft starter b5-17.	253
35	PID input level selection	PID Input Invert	<b>All Modes</b> Closed: Inverts the PID input signal.	253
40	Forward run command (2-Wire sequence)	FwdRun 2Wire Seq	<b>All Modes</b> Open: Stop Closed: Forward run <b>Note:</b> Cannot be set together with settings 42 or 43.	253
41	Reverse run command (2-Wire sequence)	RevRun 2WireSeq	<b>All Modes</b> Open: Stop Closed: Reverse run <b>Note:</b> Cannot be set together with settings 42 or 43.	253
42	Run command (2-Wire sequence 2)	Run/Stp 2WireSeq	<b>All Modes</b> Open: Stop Closed: Run <b>Note:</b> Cannot be set together with settings 40 or 41.	254

H1 Multi-Function Digital Input Selections				
H1-□□ Setting	Function	LCD Display	Description	Page
43	FWD/REV command (2-Wire sequence 2)	FWD/REV 2WireSeq	<p><b>All Modes</b></p> <p>Open: Forward Closed: Reverse</p> <p><b>Note:</b> Determines motor direction, but does not issue a Run command. Cannot be set together with settings 40 or 41.</p>	254
44	Offset frequency 1	Offset Freq 1	<p><b>All Modes</b></p> <p>Closed: Adds d7-01 to the frequency reference.</p>	254
45	Offset frequency 2	Offset Freq 2	<p><b>All Modes</b></p> <p>Closed: Adds d7-02 to the frequency reference.</p>	254
46	Offset frequency 3	Offset Freq 3	<p><b>All Modes</b></p> <p>Closed: Adds d7-03 to the frequency reference.</p>	254
47	Node setup	CanOpenNID Setup	<p><b>All Modes</b></p> <p>Closed: Node setup for SI-S3 enabled.</p>	254
60	DC Injection Braking command	DCInj Activate	<p><b>V/f</b> <b>V/f w PG</b> <b>OLV</b> <b>CLV</b></p> <p><b>OLV/PM</b> <b>AOLV/PM</b> <b>CLV/PM</b></p> <p>Closed: Triggers DC Injection Braking.</p>	254
61	External Speed Search command 1	Speed Search 1	<p><b>V/f</b> <b>V/f w PG</b> <b>OLV</b> <b>CLV</b></p> <p><b>OLV/PM</b> <b>AOLV/PM</b> <b>CLV/PM</b></p> <p>Closed: Activates Current Detection Speed Search from the maximum output frequency (E1-04).</p>	254
62	External Speed Search command 2	Speed Search 2	<p><b>V/f</b> <b>V/f w PG</b> <b>OLV</b> <b>CLV</b></p> <p><b>OLV/PM</b> <b>AOLV/PM</b> <b>CLV/PM</b></p> <p>Closed: Activates Current Detection Speed Search from the frequency reference.</p>	254
63	Field weakening	Field Weak	<p><b>V/f</b> <b>V/f w PG</b> <b>OLV</b> <b>CLV</b></p> <p><b>OLV/PM</b> <b>AOLV/PM</b> <b>CLV/PM</b></p> <p>Closed: The drive performs Field Weakening control as set for d6-01 and d6-02.</p>	254
67	Communications test mode	Comm Test Mode	<p><b>All Modes</b></p> <p>Tests the MEMOBUS/Modbus RS-422/RS-485 interface. Displays “PASS” if the test completes successfully.</p>	254
6A	Drive enabled	Drive Enable	<p><b>All Modes</b></p> <p>Open: Drive disabled. If this input is opened during run, the drive will stop as specified by b1-03. Closed: Ready for operation.</p>	255
71	Speed/Torque control Sswitch	Spd/Trq Ctl Chng	<p><b>V/f</b> <b>V/f w PG</b> <b>OLV</b> <b>CLV</b></p> <p><b>OLV/PM</b> <b>AOLV/PM</b> <b>CLV/PM</b></p> <p>Open: Speed Control Closed: Torque Control</p>	255
72	Zero servo	Zero Servo Cmd	<p><b>V/f</b> <b>V/f w PG</b> <b>OLV</b> <b>CLV</b></p> <p><b>OLV/PM</b> <b>AOLV/PM</b> <b>CLV/PM</b></p> <p>Closed: Zero Servo enabled</p>	255
75	Up 2 command	Up Command 2	<p><b>All Modes</b></p> <p>Used to control the bias added to the frequency reference by the Up/Down 2 function. The Up 2 and Down 2 commands must always be used in conjunction with one another.</p>	255
76	Down 2 command	Down Command 2	<p><b>All Modes</b></p> <p>Used to control the bias added to the frequency reference by the Up/Down 2 function. The Up 2 and Down 2 commands must always be used in conjunction with one another.</p>	255
77	ASR gain switch	ASR Gain Switch	<p><b>V/f</b> <b>V/f w PG</b> <b>OLV</b> <b>CLV</b></p> <p><b>OLV/PM</b> <b>AOLV/PM</b> <b>CLV/PM</b></p> <p>Open: ASR proportional gain 1 (C5-01) Closed: ASR proportional gain 2 (C5-03)</p>	256

## B.9 H Parameters: Multi-Function Terminals

H1 Multi-Function Digital Input Selections				
H1-□□ Setting	Function	LCD Display	Description	Page
78	External torque reference polarity inversion	Tref Sign Change	<div style="display: flex; justify-content: space-between; align-items: center;"> <span>V/f</span> <span>V/f w PG</span> <span>OLV</span> <span><b>CLV</b></span> </div> <div style="display: flex; justify-content: space-between; align-items: center;"> <span>OLV/PM</span> <span>AOLV/PM</span> <span><b>CLV/PM</b></span> </div> <p>Open: Forward torque reference. Closed: Reverse polarity.</p>	256
7E	Forward/reverse detection (V/f Control with Simple PG feedback)	PG Rotate Rev	<div style="display: flex; justify-content: space-between; align-items: center;"> <span>V/f</span> <span><b>V/f w PG</b></span> <span>OLV</span> <span>CLV</span> </div> <div style="display: flex; justify-content: space-between; align-items: center;"> <span>OLV/PM</span> <span>AOLV/PM</span> <span>CLV/PM</span> </div> <p>Direction of rotation detection (for V/f with Simple PG Feedback)</p>	256
7F	PID Bi-Directional Enable	PID BiDir Enable	<div style="display: flex; justify-content: space-between; align-items: center;"> <span><b>All Modes</b></span> </div> <p>Reserved.</p>	–
90 to 97	DriveWorksEZ digital inputs 1 to 8	–	<div style="display: flex; justify-content: space-between; align-items: center;"> <span><b>All Modes</b></span> </div> <p>Reserved for DWEZ input functions</p>	256
9F	DriveWorksEZ disabled	DWEZ Disable	<div style="display: flex; justify-content: space-between; align-items: center;"> <span><b>All Modes</b></span> </div> <p>Open: DWEZ enabled Closed: DWEZ disabled</p>	256

## ◆ H2: Multi-Function Digital Outputs

No. (Addr. Hex)	Name	LCD Display	Description	Values	Page
H2-01 (040B)	Terminal M1-M2 function selection (relay)	M1-M2 Func Sel	<div style="display: flex; justify-content: space-between; align-items: center;"> <span><b>All Modes</b></span> </div> <p>Refer to H2 Multi-Function Digital Output Settings on pages 489 to 491 for descriptions of setting values.</p>	Default: 0 Range: 0 to 192	256
H2-02 (040C)	Terminal M3-M4 function selection (relay)	P1/PC Func Sel		Default: 1 Range: 0 to 192	256
H2-03 (040D)	Terminal M5-M6 function selection (relay)	P2/PC Func Sel		Default: 2 Range: 0 to 192	256
H2-06 (0437)	Power Consumption Output Unit Selection	Pwr Mon Unit Sel	<div style="display: flex; justify-content: space-between; align-items: center;"> <span><b>All Modes</b></span> </div> <p>Sets the units for the output signal when Power Consumption Pulse Output is selected as the digital output (H2-01, H2-02, or H2-03 = 39). 0: 0.01 kWh units &lt;1&gt; 1: 1 kWh units 2: 10 kWh units 3: 100 kWh units 4: 1000 kWh units</p>	Default: 1 Range: 0 to 4	266
H2-07 (0B3A)	MEMOBUS Register 1 Address Select	MFDO Regs1 Addr	<div style="display: flex; justify-content: space-between; align-items: center;"> <span><b>All Modes</b></span> </div> <p>Sets the addresses of the MEMOBUS/Modbus registers from which data will be sent to contact outputs 62 and 162.</p>	Default: 1 Range: 1 to 1FFFH	267
H2-08 (0B3B)	MEMOBUS Register 1 Bit Select	MFDO Regs1 Bit	<div style="display: flex; justify-content: space-between; align-items: center;"> <span><b>All Modes</b></span> </div> <p>Sets the bits for the MEMOBUS/Modbus registers from which data will be sent to contact outputs 62 and 162.</p>	Default: 0 Range: 0 to FFFFH	267
H2-09 (0B3C)	MEMOBUS Register 2 Address Select	MFDO Regs2 Addr	<div style="display: flex; justify-content: space-between; align-items: center;"> <span><b>All Modes</b></span> </div> <p>Sets the addresses of the MEMOBUS/Modbus registers from which data will be sent to contact outputs 63 and 163.</p>	Default: 1 Range: 1 to 1FFFH	267
H2-10 (0B3D)	MEMOBUS Register 2 Bit Select	MFDO Regs2 Bit	<div style="display: flex; justify-content: space-between; align-items: center;"> <span><b>All Modes</b></span> </div> <p>Sets the bits for the MEMOBUS/Modbus registers from which data will be sent to contact outputs 63 and 163.</p>	Default: 0 Range: 0 to FFFFH	267

<1> Available in drive software versions PRG: 1015 and later.

H2 Multi-Function Digital Output Settings				
H2-□□ Setting	Function	LCD Display	Description	Page
0	During run	During RUN 1	<b>All Modes</b> Closed: A Run command is active or voltage is output.	257
1	Zero speed	Zero Speed	<b>All Modes</b> Open: Output speed is greater than or equal to the value of E1-09 (Minimum Output Frequency) or b2-01 (DC Injection Braking Start Frequency). Closed: Output frequency is less than the value of E1-09 (Minimum Output Frequency) or b2-01 (DC Injection Braking Start Frequency).	257
2	Speed agree 1	Fref/Fout Agree 1	<b>All Modes</b> Closed: Output frequency equals the speed reference (plus or minus the hysteresis set to L4-02).	258
3	User-set speed agree 1	Fref/Set Agree 1	<b>All Modes</b> Closed: Output frequency and speed reference equal L4-01 (plus or minus the hysteresis set to L4-02).	258
4	Frequency detection 1	Freq Detect 1	<b>All Modes</b> Closed: Output frequency is less than or equal to the value in L4-01 with hysteresis determined by L4-02.	259
5	Frequency detection 2	Freq Detect 2	<b>All Modes</b> Closed: Output frequency is greater than or equal to the value in L4-01 with hysteresis determined by L4-02.	259
6	Drive ready	Drive Ready	<b>All Modes</b> Closed: Power up is complete and the drive is ready to accept a Run command.	260
7	During Power Supply Voltage Fault	DC Bus Undervolt	<b>All Modes</b> Closed: The power supply voltage or the control circuit voltage fell below the drive operating voltage or the power supply frequency is incorrect.	260
8	During baseblock (N.O.)	BaseBlk 1	<b>All Modes</b> Closed: Drive has entered the baseblock state (no output voltage).	260
9	Frequency reference source	Ref Source	<b>All Modes</b> Open: External Reference 1 or 2 supplies the frequency reference (set in b1-01 or b1-15). Closed: Digital operator supplies the frequency reference.	260
A	Run command source	Run Cmd Source	<b>All Modes</b> Open: External Reference 1 or 2 supplies the Run command (set in b1-02 or b1-16). Closed: Digital operator supplies the Run command.	260
B	Torque detection 1 (N.O.)	Trq Det 1 N.O.	<b>All Modes</b> Closed: An overtorque or undertorque situation has been detected.	261
C	Frequency reference loss	Loss of Ref	<b>All Modes</b> Closed: Analog frequency reference has been lost. Frequency reference loss is detected when the frequency reference drops below 10% of the reference within 400 ms.	261
E	Fault	Fault	<b>All Modes</b> Closed: Fault occurred (this excludes CPF00 and CPF01).	261
F	Through mode	Not Used	<b>All Modes</b> Select this setting when the terminal is not used or when using the terminal in the pass-through mode.	261
10	Minor fault	Minor Fault	<b>All Modes</b> Closed: An alarm has been triggered.	261
11	Fault reset command active	Reset Cmd Active	<b>All Modes</b> Closed: The drive has received a reset command from the multi-function input terminals or from a serial network, or the RESET key on the digital operator has been pressed.	261
12	Timer output	Timer Output	<b>All Modes</b> Closed: Timer output.	261





## B.9 H Parameters: Multi-Function Terminals

H2 Multi-Function Digital Output Settings				
H2-□□ Setting	Function	LCD Display	Description	Page
13	Speed agree 2	Fref/Fout Agree2	<b>All Modes</b> Closed: When drive output frequency equals the frequency reference $\pm L4-04$ .	261
14	User-set speed agree 2	Fref/Set Agree 2	<b>All Modes</b> Closed: When the drive output frequency is equal to the value in L4-03 $\pm L4-04$ .	262
15	Frequency detection 3	Freq Detect 3	<b>All Modes</b> Closed: When the drive output frequency is less than or equal to the value in L4-03 $\pm L4-04$ .	262
16	Frequency detection 4	Freq Detect 4	<b>All Modes</b> Closed: When the output frequency is greater than or equal to the value in L4-03 $\pm L4-04$ .	263
17	Torque detection 1 (N.C.)	Trq Det 1 N.C.	<b>All Modes</b> Open: Overtorque or undertorque has been detected.	261
18	Torque detection 2 (N.O.)	Trq Det 2 N.O.	<b>All Modes</b> Closed: Overtorque or undertorque has been detected.	
19	Torque detection 2 (N.C.)	Trq Det 2 N.C.	<b>All Modes</b> Open: Overtorque or undertorque has been detected.	261
1A	During reverse	Reverse Dir	<b>All Modes</b> Closed: Drive is running in the reverse direction.	263
1B	During baseblock (N.C.)	BaseBlk 2	<b>All Modes</b> Open: Drive has entered the baseblock state (no output voltage).	264
1C	Motor 2 selection	Motor 2 Selected	<b>V/f</b> <b>V/f w PG</b> <b>OLV</b> <b>CLV</b> <b>OLV/PM</b> <b>AOLV/PM</b> <b>CLV/PM</b> Closed: Motor 2 is selected by a digital input (H1-□□ = 16)	264
1D	During regeneration	Regenerating	<b>V/f</b> <b>V/f w PG</b> <b>OLV</b> <b>CLV</b> <b>OLV/PM</b> <b>AOLV/PM</b> <b>CLV/PM</b> Closed: Motor is regenerating energy into the drive.	264
1E	Restart enabled	Dur Flt Restart	<b>All Modes</b> Closed: An automatic restart is performed	264
1F	Motor overload alarm (oL1)	Overload (OL1)	<b>All Modes</b> Closed: oL1 is at 90% of its trip point or greater. An oH3 situation also triggers this alarm.	264
20	Drive overheat pre-alarm (oH)	OH Prealarm	<b>All Modes</b> Closed: Heatsink temperature exceeds the parameter L8-02 value.	264
22	Mechanical weakening detection	MechFatigue(OL5)	<b>All Modes</b> Closed: Mechanical weakening detected.	264
2F	Maintenance period	Maintenance	<b>All Modes</b> Closed: Cooling fan, capacitor for the control power supply, or the soft charge bypass relay may require maintenance.	264
30	During torque limit	Torque Limit	<b>V/f</b> <b>V/f w PG</b> <b>OLV</b> <b>CLV</b> <b>OLV/PM</b> <b>AOLV/PM</b> <b>CLV/PM</b> Closed: When the torque limit has been reached.	264
31	During speed limit	Speed Limit	<b>V/f</b> <b>V/f w PG</b> <b>OLV</b> <b>CLV</b> <b>OLV/PM</b> <b>AOLV/PM</b> <b>CLV/PM</b> Closed: Speed limit has been reached.	265
32	During speed limit in Torque Control	Spd Lim @ T Cont	<b>V/f</b> <b>V/f w PG</b> <b>OLV</b> <b>CLV</b> <b>OLV/PM</b> <b>AOLV/PM</b> <b>CLV/PM</b> Closed: Speed limit has been reached while using Torque Control.	265
33	Zero Servo complete	Zero Servo End	<b>V/f</b> <b>V/f w PG</b> <b>OLV</b> <b>CLV</b> <b>OLV/PM</b> <b>AOLV/PM</b> <b>CLV/PM</b> Closed: Zero Servo operation has finished.	265

H2 Multi-Function Digital Output Settings				
H2-□□ Setting	Function	LCD Display	Description	Page
37	During frequency output	During RUN 2	<b>All Modes</b> Open: No frequency output from drive if stopped with baseblock or DC injection braking during initial excitation. Closed: Drive is outputting a frequency.	265
38	Drive enabled	Drive Enable	<b>All Modes</b> Closed: Multi-function input set for “Drive enable” is closed (H1-□□ = 6A)	265
39	Power Consumption Pulse Output	Energy Pulse Out	<b>All Modes</b> Output units are determined by H2-06. Outputs a pulse every 200 ms to indicate the kWh count.	265
3A	Regenerated Power Pulse Output	RegEn Pulse Out	<b>All Modes</b> Outputs a pulse to indicate the regenerated power.	265
3C	LOCAL/REMOTE status	Local	<b>All Modes</b> Open: REMOTE Closed: LOCAL	265
3D	During speed search	During SpdSrch	<b>All Modes</b> Closed: Speed Search is being executed.	266
3E	PID feedback low	PID Feedback Low	<b>All Modes</b> Closed: PID feedback level is too low.	266
3F	PID feedback high	PID FeedbackHigh	<b>All Modes</b> Closed: The PID feedback level is too high.	266
4C	During fast stop	During Fast Stop	<b>All Modes</b> Closed: A Fast Stop command has been entered from the operator or input terminals.	266
4D	oH Pre-alarm time limit	OH Pre-Alarm	<b>All Modes</b> Closed: oH pre-alarm time limit has passed.	266
60	Internal cooling fan alarm	Fan Alrm Det	<b>All Modes</b> Closed: Internal cooling fan alarm	266
61	Rotor position detection completed	RotPosDetCmpIt	<b>All Modes</b> V/f   V/f w PG   OLV   CLV OLV/PM   AOLV/PM   CLV/PM Closed: Drive has successfully detected the rotor position of the PM motor.	266
62	MEMOBUS Register 1 (Selected with H2-07 and H2-08)	Memobus Regs1	<b>All Modes</b> The contact output is closed when any of the bits specified by H2-08 for the MEMOBUS/Modbus register address set in H2-07 turn on.	266
63	MEMOBUS Register 2 (Selected with H2-09 and H2-10)	Memobus Regs2	<b>All Modes</b> The contact output is closed when any of the bits specified by H2-10 for the MEMOBUS/Modbus register address set in H2-09 turn on.	266
64	During Commercial Power Operation	CommercIPwr Mode	<b>All Modes</b> V/f   V/f w PG   OLV   CLV OLV/PM   AOLV/PM   CLV/PM Closed: Operating on commercial power.	266
90 to 92	DriveWorksEZ digital outputs 1 to 3	—	<b>All Modes</b> Reserved for DWEZ digital output functions.	266
100 to 192	Function 0 to 92 with inverse output	!Function	<b>All Modes</b> Inverts the output switching of the multi-function output functions. Set the last two digits of 1□□ to reverse the output signal of that specific function.	266



**◆ H3: Multi-Function Analog Inputs**

No. (Addr. Hex)	Name	LCD Display	Description	Values	Page
H3-01 (0410)	Terminal A1 Signal Level Selection	Term A1 Level 0: 0-10V, (LowLim=0) 1: 0-10V, (BipolRef)	<b>All Modes</b> 0: 0 to 10 V 1: -10 to 10 V	Default: 0 Range: 0, 1	267
H3-02 (0434)	Terminal A1 Function Selection	Term A1 FuncSel	<b>All Modes</b> Sets the function of terminal A1.	Default: 0 Range: 0 to 32	267
H3-03 (0411) 	Terminal A1 Gain Setting	Terminal A1 Gain	<b>All Modes</b> Sets the level of the input value selected in H3-02 when 10 V is input at terminal A1.	Default: 100.0% Min.: -999.9 Max.: 999.9	267
H3-04 (0412) 	Terminal A1 Bias Setting	Terminal A1 Bias	<b>All Modes</b> Sets the level of the input value selected in H3-02 when 0 V is input at terminal A1.	Default: 0.0% Min.: -999.9 Max.: 999.9	267
H3-05 (0413)	Terminal A3 Signal Level Selection	Term A3 Signal 0: 0-10V (LowLim=0) 1: 0-10V, (BipolRef)	<b>All Modes</b> 0: 0 to 10 V 1: -10 to 10 V	Default: 0 Range: 0, 1	268
H3-06 (0414)	Terminal A3 Function Selection	Terminal A3 Sel	<b>All Modes</b> Sets the function of terminal A3.	Default: 2 Range: 0 to 32	268
H3-07 (0415) 	Terminal A3 Gain Setting	Terminal A3 Gain	<b>All Modes</b> Sets the level of the input value selected in H3-06 when 10 V is input at terminal A3.	Default: 100.0% Min.: -999.9 Max.: 999.9	269
H3-08 (0416) 	Terminal A3 Bias Setting	Terminal A3 Bias	<b>All Modes</b> Sets the level of the input value selected in H3-06 when 0 V is input at terminal A3.	Default: 0.0% Min.: -999.9 Max.: 999.9	269
H3-09 (0417)	Terminal A2 Signal Level Selection	Term A2 Level	<b>All Modes</b> 0: 0 to 10 V 1: -10 to 10 V 2: 4 to 20 mA 3: 0 to 20 mA  <b>Note:</b> Use DIP switch S1 to set input terminal A2 for a current or a voltage input signal.	Default: 2 Range: 0 to 3	269
H3-10 (0418)	Terminal A2 Function Selection	Term A2 FuncSel	<b>All Modes</b> Sets the function of terminal A2.	Default: 0 Range: 0 to 32	269
H3-11 (0419) 	Terminal A2 Gain Setting	Terminal A2 Gain	<b>All Modes</b> Sets the level of the input value selected in H3-10 when 10 V (20 mA) is input at terminal A2.	Default: 100.0% Min.: -999.9 Max.: 999.9	269
H3-12 (041A) 	Terminal A2 Bias Setting	Terminal A2 Bias	<b>All Modes</b> Sets the level of the input value selected in H3-10 when 0 V (0 or 4 mA) is input at terminal A2.	Default: 0.0% Min.: -999.9 Max.: 999.9	269
H3-13 (041B)	Analog Input Filter Time Constant	A1/A2 Filter T	<b>All Modes</b> Sets a primary delay filter time constant for terminals A1, A2, and A3. Used for noise filtering.	Default: 0.03 s Min.: 0.00 Max.: 2.00	269
H3-14 (041C)	Analog Input Terminal Enable Selection	A1/A2/A3 Sel 1: A1 Available 2: A2 Available 3: A1/A2 Available 4: A3 Available 5: A1/A3 Available 6: A2/A3 Available 7: All Available	<b>All Modes</b> Determines which analog input terminals will be enabled or disabled when a digital input programmed for “Analog input enable” (H1-□□ = C) is activated. The terminals not set as the target are not influenced by input signals. 1: Terminal A1 only 2: Terminal A2 only 3: Terminals A1 and A2 only 4: Terminal A3 only 5: Terminals A1 and A3 6: Terminals A2 and A3 7: All terminals enabled	Default: 7 Range: 1 to 7	270



No. (Addr. Hex)	Name	LCD Display	Description	Values	Page
H3-16 (02F0)	Terminal A1 Offset	TerminalA1Offset	<b>All Modes</b> Adds an offset when the analog signal to terminal A1 is at 0 V.	Default: 0 Min.: -500 Max.: 500	270
H3-17 (02F1)	Terminal A2 Offset	TerminalA2Offset	<b>All Modes</b> Adds an offset when the analog signal to terminal A2 is at 0 V.	Default: 0 Min.: -500 Max.: 500	270
H3-18 (02F2)	Terminal A3 Offset	TerminalA3Offset	<b>All Modes</b> Adds an offset when the analog signal to terminal A3 is at 0 V.	Default: 0 Min.: -500 Max.: 500	270

H3 Multi-Function Analog Input Settings

H3-□□ Setting	Function	LCD Display	Description When Output Is 100%	Page
0	Frequency bias	Freq Ref Bias	<b>All Modes</b> E1-04 (maximum output frequency)	270
1	Frequency gain	Freq Ref Gain	<b>All Modes</b> 0 to 10 V signal allows a setting of 0 to 100%. -10 to 0 V signal allows a setting of -100 to 0%.	271
2	Auxiliary frequency reference 1	Aux Reference 1	<b>All Modes</b> E1-04 (maximum output frequency)	271
3	Auxiliary frequency reference 2	Aux Reference 2	<b>All Modes</b> E1-04 (maximum output frequency)	271
4	Output voltage bias	Voltage Bias	<b>V/f</b> <b>V/f w PG</b> <input type="radio"/> OLV <input type="radio"/> CLV <input type="radio"/> OLV/PM <input type="radio"/> AOLV/PM <input type="radio"/> CLV/PM 10 V = E1-05 (motor rated voltage)	271
5	Accel/decel time gain	Acc/DecTime Gain	<b>All Modes</b> 10 V = 100%	271
6	DC Injection Braking current	DC Brake Current	<b>V/f</b> <b>V/f w PG</b> <input checked="" type="radio"/> OLV <input type="radio"/> CLV <input type="radio"/> OLV/PM <input type="radio"/> AOLV/PM <input type="radio"/> CLV/PM 10 V = Drive rated current	271
7	Torque detection level	Torque Det Level	<b>All Modes</b> 10 V = Drive rated current (V/f, V/f w PG) 10 V = Motor rated torque (OLV, CLV, OLV/PM, AOLV/PM, CLV/PM)	271
8	Stall Prevention level during run	Stall Prev Level	<b>V/f</b> <b>V/f w PG</b> <input type="radio"/> OLV <input type="radio"/> CLV <input type="radio"/> OLV/PM <input type="radio"/> AOLV/PM <input type="radio"/> CLV/PM 10 V = Drive rated current	271
9	Output frequency lower limit level	Ref Lower Limit	<b>All Modes</b> 10 V = E1-04 (maximum output frequency)	272
B	PID feedback	PID Feedback1	<b>All Modes</b> 10 V = 100%	272
C	PID setpoint	PID Set Point	<b>All Modes</b> 10 V = 100%	272
D	Frequency bias	Freq Ref Bias 2	<b>All Modes</b> 10 V = E1-04 (maximum output frequency)	272
E	Motor temperature (PTC input)	Motor PTC	<b>All Modes</b> 10 V = 100%	272
F	Through mode	Not Used	<b>All Modes</b> Select this setting when the terminal is not used or when using the terminal in the pass-through mode.	272
10	Forward torque limit	Fwd Torque Limit	<input type="radio"/> V/f <input type="radio"/> V/f w PG <input checked="" type="radio"/> OLV <input checked="" type="radio"/> CLV <input type="radio"/> OLV/PM <input checked="" type="radio"/> AOLV/PM <input checked="" type="radio"/> CLV/PM 10 V = Motor rated torque	272

## B.9 H Parameters: Multi-Function Terminals

H3 Multi-Function Analog Input Settings				
H3-□□ Setting	Function	LCD Display	Description When Output Is 100%	Page
11	Reverse torque limit	Rev Torque Limit	<div style="display: flex; justify-content: space-between;"> <span>V/f</span> <span>V/f w PG</span> <span>OLV</span> <span>CLV</span> </div> <div style="display: flex; justify-content: space-between;"> <span>OLV/PM</span> <span>AOLV/PM</span> <span>CLV/PM</span> </div> <p>10 V = Motor rated torque</p>	272
12	Regenerative torque limit	Regen Torq Limit	<div style="display: flex; justify-content: space-between;"> <span>V/f</span> <span>V/f w PG</span> <span>OLV</span> <span>CLV</span> </div> <div style="display: flex; justify-content: space-between;"> <span>OLV/PM</span> <span>AOLV/PM</span> <span>CLV/PM</span> </div> <p>10 V = Motor rated torque</p>	272
13	Torque reference/ Torque limit	Torque Reference	<div style="display: flex; justify-content: space-between;"> <span>V/f</span> <span>V/f w PG</span> <span>OLV</span> <span>CLV</span> </div> <div style="display: flex; justify-content: space-between;"> <span>OLV/PM</span> <span>AOLV/PM</span> <span>CLV/PM</span> </div> <p>10 V = Motor rated torque</p>	272
14	Torque compensation	Torque Comp	<div style="display: flex; justify-content: space-between;"> <span>V/f</span> <span>V/f w PG</span> <span>OLV</span> <span>CLV</span> </div> <div style="display: flex; justify-content: space-between;"> <span>OLV/PM</span> <span>AOLV/PM</span> <span>CLV/PM</span> </div> <p>10 V = Motor rated torque</p>	272
15	General torque limit	Torque Limit	<div style="display: flex; justify-content: space-between;"> <span>V/f</span> <span>V/f w PG</span> <span>OLV</span> <span>CLV</span> </div> <div style="display: flex; justify-content: space-between;"> <span>OLV/PM</span> <span>AOLV/PM</span> <span>CLV/PM</span> </div> <p>10 V = Motor rated torque</p>	272
16	Differential PID feedback	PID Feedback 2	<div style="display: flex; justify-content: space-between;"> <span>All Modes</span> </div> <p>10 V = 100%</p>	272
1F	Through mode	Not Used	<div style="display: flex; justify-content: space-between;"> <span>All Modes</span> </div> <p>Select this setting when the terminal is not used or when using the terminal in the pass-through mode.</p>	272
30 to 32	DriveWorksEZ analog input 1 to 3	—	<div style="display: flex; justify-content: space-between;"> <span>All Modes</span> </div> <p>Output is determined by the function selected using DWEZ.</p>	272

## ◆ H4: Analog Outputs

No. (Addr. Hex)	Name	LCD Display	Description	Values	Page
H4-01 (041D)	Multi-Function Analog Output Terminal FM Monitor Selection	Term FM FuncSel	<div style="display: flex; justify-content: space-between;"> <span>All Modes</span> </div> <p>Selects the data to be output through multi-function analog output terminal FM. Set the desired monitor parameter to the digits available in U□-□□. For example, enter “103” for U1-03.</p>	Default: 102 Range: 000 to 999	273
H4-02 (041E) 	Multi-Function Analog Output Terminal FM Gain	Terminal FM Gain	<div style="display: flex; justify-content: space-between;"> <span>All Modes</span> </div> <p>Sets the signal level at terminal FM that is equal to 100% of the selected monitor value.</p>	Default: 100.0% Min.: -999.9 Max.: 999.9	273
H4-03 (041F) 	Multi-Function Analog Output Terminal FM Bias	Terminal FM Bias	<div style="display: flex; justify-content: space-between;"> <span>All Modes</span> </div> <p>Sets the signal level at terminal FM that is equal to 0% of the selected monitor value.</p>	Default: 0.0% Min.: -999.9 Max.: 999.9	273
H4-04 (0420)	Multi-Function Analog Output Terminal AM Monitor Selection	Terminal AM Sel	<div style="display: flex; justify-content: space-between;"> <span>All Modes</span> </div> <p>Selects the data to be output through multi-function analog output terminal AM. Set the desired monitor parameter to the digits available in U□-□□. For example, enter “103” for U1-03.</p>	Default: 103 Range: 000 to 999	273
H4-05 (0421) 	Multi-Function Analog Output Terminal AM Gain	Terminal AM Gain	<div style="display: flex; justify-content: space-between;"> <span>All Modes</span> </div> <p>Sets the signal level at terminal AM that is equal to 100% of the selected monitor value.</p>	Default: 50.0% Min.: -999.9 Max.: 999.9	273
H4-06 (0422) 	Multi-Function Analog Output Terminal AM Bias	Terminal AM Bias	<div style="display: flex; justify-content: space-between;"> <span>All Modes</span> </div> <p>Sets the signal level at terminal AM that is equal to 0% of the selected monitor value.</p>	Default: 0.0% Min.: -999.9 Max.: 999.9	273

No. (Addr. Hex)	Name	LCD Display	Description	Values	Page
H4-07 (0423)	Multi-Function Analog Output Terminal FM Signal Level Selection	Term FM Lvl Sel 0: 0-10 VDC 1: -10 +10 VDC 2: 4-20 mA	<b>All Modes</b> 0: 0 to 10 V 1: -10 to 10 V 2: 4 to 20 mA	Default: 0 Range: 0 to 2	274
H4-08 (0424)	Multi-Function Analog Output Terminal AM Signal Level Selection	Term AM Lvl Sel 0: 0-10 VDC 1: -10 +10 VDC 2: 4-20 mA	<b>All Modes</b> 0: 0 to 10 V 1: -10 to 10 V 2: 4 to 20 mA	Default: 0 Range: 0 to 2	274

### ◆ H5: MEMOBUS/Modbus Serial Communication

**Note:** Restart the drive to enable MEMOBUS/Modbus communication settings.






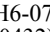
No. (Addr. Hex)	Name	LCD Display	Description	Values	Page
H5-01 (0425) </>	Drive Node Address	Serial Comm Adr	<b>All Modes</b> Selects drive station node number (address) for MEMOBUS/Modbus terminals R+, R-, S+, S-. Cycle power for the setting to take effect.	Default: 1F (Hex) Min.: 0 Max.: FFH	565
H5-02 (0426)	Communication Speed Selection	Serial Baud Rate 0: 1200 bps 1: 2400 bps 2: 4800 bps 3: 9600 bps 4: 19.2 kbps 5: 38.4 kbps 6: 57.6 kbps 7: 76.8 kbps 8: 115.2 kbps	<b>All Modes</b> 0: 1200 bps 1: 2400 bps 2: 4800 bps 3: 9600 bps 4: 19200 bps 5: 38400 bps 6: 57600 bps 7: 76800 bps 8: 115200 bps Cycle power for the setting to take effect.	Default: 3 Range: 0 to 8	565
H5-03 (0427)	Communication Parity Selection	Serial Com Sel 0: No Parity 1: Even Parity 2: Odd Parity	<b>All Modes</b> 0: No parity 1: Even parity 2: Odd parity Cycle power for the setting to take effect.	Default: 0 Range: 0 to 2	565
H5-04 (0428)	Stopping Method after Communication Error (CE)	Serial Fault Sel 0: Ramp to Stop 1: Coast to Stop 2: Fast-Stop 3: Alarm Only	<b>All Modes</b> 0: Ramp to stop 1: Coast to stop 2: Fast Stop 3: Alarm only	Default: 3 Range: 0 to 3	565
H5-05 (0429)	Communication Fault Detection Selection	Serial Flt Dtct 0: Disabled 1: Enabled	<b>All Modes</b> 0: Disabled 1: Enabled. If communication is lost for more than two seconds, a CE fault will occur.	Default: 1 Range: 0, 1	566
H5-06 (042A)	Drive Transmit Wait Time	Transmit WaitTIM	<b>All Modes</b> Set the wait time between receiving and sending data.	Default: 5 ms Min.: 5 Max.: 65	566
H5-07 (042B)	RTS Control Selection	RTS Control Sel 0: Disabled 1: Enabled	<b>All Modes</b> 0: Disabled. RTS is always on. 1: Enabled. RTS turns on only when sending.	Default: 1 Range: 0, 1	566
H5-09 (0435)	Communication Fault Detection Time	CE Detect Time	<b>All Modes</b> Sets the time required to detect a communications error. Adjustment may be needed when networking several drives.	Default: 2.0 s Min.: 0.0 Max.: 10.0	566
H5-10 (0436)	Unit Selection for MEMOBUS/Modbus Register 0025H	CommReg 25h Unit 0: 0.1 V 1: 1 V	<b>All Modes</b> 0: 0.1 V units 1: 1 V units	Default: 0 Range: 0, 1	566

## B.9 H Parameters: Multi-Function Terminals

No. (Addr. Hex)	Name	LCD Display	Description	Values	Page
H5-11 (043C)	Communications ENTER Function Selection	Enter CommandSel 0: Enter Required 1: No EnterRequired	<b>All Modes</b> 0: Drive requires an Enter command before accepting any changes to parameter settings. 1: Parameter changes are activated immediately without the Enter command (same as V7).	Default: 0 Range: 0, 1	567
H5-12 (043D)	Run Command Method Selection	Run CommandSel 0: FWD Run &REV Run 1: Run & FWD/REV	<b>All Modes</b> 0: FWD/Stop, REV/Stop 1: Run/Stop, FWD/REV	Default: 0 Range: 0, 1	567
H5-17 (11A1)	Operation Selection when Unable to Write into EEPROM	Busy Enter Sel 0: No ROM Enter 1: RAM Enter	<b>All Modes</b> Selects operation when an attempt is made to write data into EEPROM via MEMOBUS/Modbus communications and writing into EEPROM is not possible. There is normally no need to change this parameter from the default value 0: Cannot write into EEPROM 1: Write in RAM only	Default: 0 Range: 0, 1	567
H5-18 (11A2)	Filter Time Constant for Motor Speed Monitoring	MtrSpd Monitor T	<b>All Modes</b> Sets the filter time constant for monitoring the motor speed from MEMOBUS/Modbus communications and communication options. Applicable MEMOBUS/Modbus registers are: 3EH, 3FH, 44H, ACH, and ADH	Default: 0 ms Min.: 0 Max.: 100	567

<1> If this parameter is set to 0, the drive will be unable to respond to MEMOBUS/Modbus commands.

## ◆ H6: Pulse Train Input/Output

No. (Addr. Hex)	Name	LCD Display	Description	Values	Page
H6-01 (042C)	Pulse Train Input Terminal RP Function Selection	Term RP Func Sel 0: Frequency Ref 1: PID Feedback 2: PID Set Point 3: PG Feedback	<b>All Modes</b> 0: Frequency reference 1: PID feedback value 2: PID setpoint value 3: V/f Control with Simple PG feedback (possible only when using motor 1 in V/f Control)	Default: 0 Range: 0 to 3	275
H6-02 (042D) 	Pulse Train Input Scaling	Term RP Scaling	<b>All Modes</b> Sets the terminal RP input signal frequency that is equal to 100% of the value selected in H6-01.	Default: 1440 Hz Min.: 100 Max.: 32000	276
H6-03 (042E) 	Pulse Train Input Gain	Terminal RP Gain	<b>All Modes</b> Sets the level of the value selected in H6-01 when a frequency with the value set in H6-02 is input.	Default: 100.0% Min.: 0.0 Max.: 1000.0	276
H6-04 (042F) 	Pulse Train Input Bias	Terminal RP Bias	<b>All Modes</b> Sets the level of the value selected in H6-01 when 0 Hz is input.	Default: 0.0% Min.: -100.0 Max.: 100.0	276
H6-05 (0430) 	Pulse Train Input Filter Time	Term RP Flt Time	<b>All Modes</b> Sets the pulse train input filter time constant.	Default: 0.10 s Min.: 0.00 Max.: 2.00	276
H6-06 (0431) 	Pulse Train Monitor Selection	Term MP Func Sel	<b>All Modes</b> Select the pulse train monitor output function (value of the □-□□ part of U□-□□). For example, enter "501" for U5-01.	Default: 102 Range: 000 to 809	276
H6-07 (0432) 	Pulse Train Monitor Scaling	Term RP Scaling	<b>All Modes</b> Sets the terminal MP output signal frequency when the monitor value is 100%. For example, to have the pulse train monitor output equal the output frequency, set H6-06 to 102 and H6-07 to 0.	Default: 1440 Hz Min.: 0 Max.: 32000	276

No. (Addr. Hex)	Name	LCD Display	Description	Values	Page
H6-08 (043F)	Pulse Train Input Minimum Frequency	MP Lower Limit	<p><b>All Modes</b></p> <p>Sets the minimum frequency for the pulse train input to be detected. Enabled when H6-01 = 0, 1, or 2.</p>	Default: 0.5 Hz Min.: 0.1 Max.: 1000.0	<a href="#">276</a>

## B.10 L: Protection Function

L parameters provide protection to the drive and motor, including control during momentary power loss, Stall Prevention, frequency detection, fault restarts, overtorque detection, and other types of hardware protection.

### ◆ L1: Motor Protection

No. (Addr. Hex)	Name	LCD Display	Description	Values	Page
L1-01 (0480)	Motor Overload Protection Selection	Mtr OL Charact 0: OL1 Disabled 1: VT Motor 2: CT Motor 3: Vector Motor 4: PM Motor 5: Constant Torque 6: 50Hz VT Motor	<b>All Modes</b> 0: Disabled 1: General purpose motor (standard fan cooled) 2: Drive dedicated motor with a speed range of 1:10 3: Vector motor with a speed range of 1:100 4: PM motor with variable torque 5: PM motor with constant torque control 6: General purpose motor (50 Hz) The drive may not be able to provide protection when using multiple motors, even if overload is enabled in L1-01. Set L1-01 to 0 and install separate thermal relays to each motor.	Default: <1> Range: 0 to 6	278
L1-02 (0481)	Motor Overload Protection Time	MOL Time Const	<b>All Modes</b> Sets the motor thermal overload protection (oL1) time.	Default: 1.0 min Min.: 0.1 Max.: 5.0	280
L1-03 (0482)	Motor Overheat Alarm Operation Selection (PTC input)	Mtr OH Alarm Sel 0 : Ramp to Stop 1: Coast to Stop 2: Fast-Stop 3: Alarm only	<b>All Modes</b> Sets operation when the motor temperature analog input (H3-02, H3-10, or H3-06 = E) exceeds the oH3 alarm level. 0: Ramp to stop 1: Coast to stop 2: Fast Stop (decelerate to stop using the deceleration time in C1-09) 3: Alarm only ("oH3" will flash)	Default: 3 Range: 0 to 3	282
L1-04 (0483)	Motor Overheat Fault Operation Selection (PTC input)	Mtr OH Fault Sel 0 : Ramp to Stop 1: Coast to Stop 2: Fast-Stop	<b>All Modes</b> Sets stopping method when the motor temperature analog input (H3-02, H3-10, or H3-06 = E) exceeds the oH4 fault level. 0: Ramp to stop 1: Coast to stop 2: Fast Stop (decelerate to stop using the deceleration time in C1-09)	Default: 1 Range: 0 to 2	282
L1-05 (0484)	Motor Temperature Input Filter Time (PTC input)	Mtr Temp Filter	<b>All Modes</b> Adjusts the filter for the motor temperature analog input (H3-02, H3-10, or H3-06 = E).	Default: 0.20 s Min.: 0.00 Max.: 10.00	282
L1-08 (1103)	oL1 Current Level	OL1 current lv11	<b>All Modes</b> Sets the reference current for motor thermal overload detection for motor 1 in amperes.	Default: 0.0 A Min.: 10% of drive rated current Max.: 150% of drive rated current <2>	282
L1-09 (1104)	oL1 Current Level for Motor 2	OL1 current lv12	<b>V/f</b> <b>V/f w PG</b> <b>OLV</b> <b>CLV</b> <b>OLV/PM</b> <b>AOLV/PM</b> <b>CLV/PM</b> Sets the reference current for motor thermal overload detection for motor 2 in amperes.	Default: 0.0 A Min.: 10% of drive rated current Max.: 150% of drive rated current <2>	283
L1-13 (046D)	Continuous Electrothermal Operation Selection	Mtr OL Mem Sel 0: Disabled 1: Enabled	<b>All Modes</b> 0: Disabled 1: Enabled	Default: 1 Range: 0, 1	283

<1> Default setting is determined by parameter A1-02, Control Method Selection.

<2> Display is in the following units:

2□0028, 2□0042, and 4□0011 to 4□0027: 0.01 A units

2□0054 to 2□0248 and 4□0034 to 4□0414: 0.1 A units

◆ L2: Momentary Power Loss Ride-Thru

No. (Addr. Hex)	Name	LCD Display	Description	Values	Page
L2-01 (0485)	Momentary Power Loss Operation Selection	PwrL Selection 0: Disabled 1: Enbl with Timer 2: Enbl whl CPU act	<b>All Modes</b> 0: Disabled. Drive trips on Uv1 fault when power is lost. 1: Recover within the time set in L2-02. Uv1 will be detected if power loss is longer than L2-02. 2: Recover as long as CPU has power. Uv1 is not detected.	Default: 0 Range: 0 to 2	283
L2-02 (0486)	Momentary Power Loss Ride-Thru Time	PwrL Ridethru t	<b>All Modes</b> Sets the Power Loss Ride-Thru time. Enabled only when L2-01 = 1 or 3.	Default: 0.5 s Min.: 0.0 Max.: 2.5	284
L2-03 (0487)	Momentary Power Loss Minimum Baseblock Time	PwrL Baseblock t	<b>All Modes</b> Sets the minimum wait time for residual motor voltage decay before the drive output reenergizes after performing Power Loss Ride-Thru. Increasing the time set to L2-03 may help if overcurrent or overvoltage occur during Speed Search or during DC Injection Braking.	Default: <1> Min.: 0.1 s Max.: 5.0 s	284
L2-04 (0488)	Momentary Power Loss Voltage Recovery Ramp Time	PwrL V/F Ramp t	<b>V/f</b> <b>V/f w PG</b> <b>OLV</b> <b>CLV</b> <b>OLV/PM</b> <b>AOLV/PM</b> <b>CLV/PM</b> Sets the time for the output voltage to return to the preset V/f pattern during Speed Search.	Default: <1> Min.: 0.0 s Max.: 5.0 s	284
L2-07 (048B)	KEB Acceleration Time	KEB Accel Time	<b>All Modes</b> Sets the time to accelerate to the frequency reference when momentary power loss is over. If set to 0.0, the active acceleration time (C1-01, C1-03, C1-05, or C1-07) is used.	Default: 0.00 s Min.: 0.00 Max.: 6000.0 <2>	284
L2-13 (04F7)	Input Power Frequency Fault Detection Gain	FDV Detect Gain	<b>All Modes</b> Set the gain to use to detect power supply frequency fault (Fdv).	Default: 1.0 Min.: 0.1 Max.: 2.0	284
L2-21 (04F7)	Low Input Voltage Detection Level	AVV Detect evel	<b>All Modes</b> Set the level at which to detect a low input voltage.	Default: 150 V Min.: 100 V <3> Max.: 230 V <3>	284
L2-27 (04F7)	Power Supply Frequency Fault Detection Width	FDV Detect Width	<b>All Modes</b> Sets the frequency width to use to detect power supply frequency fault (Fdv).	Default: 6.0 Hz Min.: 3.0 Hz Max.: 20.0 Hz	284

<1> Default setting is determined by parameters C6-01, Drive Duty Selection, and o2-04, Drive Model Selection.

<2> Setting range value is dependent on parameter C1-10, Accel/Decel Time Setting Units. When C1-10 = 0 (units of 0.01 seconds), the setting range becomes 0.00 to 600.00 seconds.

<3> Values shown are specific to 200 V class drives. Double the value for 400 V class drives.



◆ L3: Stall Prevention

No. (Addr. Hex)	Name	LCD Display	Description	Values	Page
L3-01 (048F)	Stall Prevention Selection during Acceleration	StallP Accel Sel 0: Disabled 1: General Purpose 2: Intelligent 3: iLim Mode	<p><b>V/f</b> <b>V/f w PG</b> <b>OLV</b> <input type="radio"/> <b>CLV</b></p> <p><b>OLV/PM</b> <input type="radio"/> <b>AOLV/PM</b> <input type="radio"/> <b>CLV/PM</b></p> <p>0: Disabled. 1: Enabled. General purpose. Acceleration is paused as long as the current is above the L3-02 setting. 2: Intelligent. Accelerate in the shortest possible time without exceeding the L3-02 level. 3: Enabled (Current Limit). The acceleration rate is automatically adjusted while limiting the output current at the setting value of the stall prevention level (L3-02).</p> <p><b>Note:</b> Settings 2 and 3 are not available when using OLV/PM.</p>	Default: 1 Range: 0 to 3	285
L3-02 (0490)	Stall Prevention Level during Acceleration	StallP Accel Lvl	<p><b>V/f</b> <b>V/f w PG</b> <b>OLV</b> <input type="radio"/> <b>CLV</b></p> <p><b>OLV/PM</b> <input type="radio"/> <b>AOLV/PM</b> <input type="radio"/> <b>CLV/PM</b></p> <p>Used when L3-04 = 1. 100% is equal to the drive rated current.</p>	Default: </> Min.: 0% Max.: 150% </>	286
L3-03 (0491)	Stall Prevention Limit during Acceleration/Deceleration	StallPAcc LowLim	<p><b>V/f</b> <b>V/f w PG</b> <b>OLV</b> <input type="radio"/> <b>CLV</b></p> <p><b>OLV/PM</b> <input type="radio"/> <b>AOLV/PM</b> <input type="radio"/> <b>CLV/PM</b></p> <p>Sets Stall Prevention lower limit during acceleration/deceleration when operating in the constant power range. Set as a percentage of drive rated current.</p>	Default: 50% Min.: 0 Max.: 100	286
L3-04 (0492)	Stall Prevention Selection during Deceleration	StallP Decel Sel 0: Disabled 1: General Purpose 4: High Flux Brake 6: iLim Mode	<p><b>All Modes</b></p> <p>0: Disabled. Deceleration at the active deceleration rate. An overfault may occur. 1: General purpose. Deceleration is paused when the DC bus voltage exceeds the Stall Prevention level. 4: Overexcitation Deceleration. Decelerates while increasing the motor flux. 6: Enable (Current Limit). The deceleration rate is automatically adjusted while limiting the regeneration current at the setting value of the stall prevention level (L3-14).</p>	Default: 1 Range: 0 to 6 </>	287
L3-05 (0493)	Stall Prevention Selection during Run	StallP Run Sel 0: Disabled 1: Decel Time 1 2: Decel Time 2	<p><b>V/f</b> <b>V/f w PG</b> <input type="radio"/> <b>OLV</b> <input type="radio"/> <b>CLV</b></p> <p><b>OLV/PM</b> <input type="radio"/> <b>AOLV/PM</b> <input type="radio"/> <b>CLV/PM</b></p> <p>0: Disabled. Drive runs at a set frequency. A heavy load may cause stalling. 1: Decel time 1. Uses the deceleration time set to C1-02 while Stall Prevention is performed. 2: Decel time 2. Uses the deceleration time set to C1-04 while Stall Prevention is performed.</p>	Default: 1 Range: 0 to 2	288
L3-06 (0494)	Stall Prevention Level during Run	StallP Run Level	<p><b>V/f</b> <b>V/f w PG</b> <input type="radio"/> <b>OLV</b> <input type="radio"/> <b>CLV</b></p> <p><b>OLV/PM</b> <input type="radio"/> <b>AOLV/PM</b> <input type="radio"/> <b>CLV/PM</b></p> <p>Enabled when L3-05 is set to 1 or 2. 100% is equal to the drive rated current.</p>	Default: </> Min.: 30% Max.: 150% </>	288
L3-14 (04C7)	Stall Prevention Level during Deceleration	StallP Decel Lvl	<p><b>V/f</b> <b>V/f w PG</b> <b>OLV</b> <input type="radio"/> <b>CLV</b></p> <p><b>OLV/PM</b> <input type="radio"/> <b>AOLV/PM</b> <input type="radio"/> <b>CLV/PM</b></p> <p>Used when L3-04 = 1. 100% is equal to the drive rated current.</p>	Default: </> Min.: 80% Max.: 200% </>	286
L3-22 (04F9)	Deceleration Time at Stall Prevention during Acceleration	PM Acc Stall P T	<p><b>V/f</b> <b>V/f w PG</b> <input type="radio"/> <b>OLV</b> <input type="radio"/> <b>CLV</b></p> <p><b>OLV/PM</b> <input type="radio"/> <b>AOLV/PM</b> <input type="radio"/> <b>CLV/PM</b></p> <p>Sets the deceleration time used for Stall Prevention during acceleration in OLV/PM.</p>	Default: 0.0 s Min.: 0.0 Max.: 6000.0	288
L3-23 (04FD)	Automatic Reduction Selection for Stall Prevention during Run	CHP Stall P Sel 0: Lv1 set in L3-06 1: Autom. Reduction	<p><b>V/f</b> <b>V/f w PG</b> <input type="radio"/> <b>OLV</b> <input type="radio"/> <b>CLV</b></p> <p><b>OLV/PM</b> <input type="radio"/> <b>AOLV/PM</b> <input type="radio"/> <b>CLV/PM</b></p> <p>0: Sets the Stall Prevention level set in L3-04 that is used throughout the entire frequency range. 1: Automatic Stall Prevention level reduction in the constant output range. The lower limit value is 40% of L3-06.</p>	Default: 0 Range: 0, 1	288



No. (Addr. Hex)	Name	LCD Display	Description	Values	Page
L3-27 (0456)	Stall Prevention Detection Time	Stl Prev DetTime	<p><b>V/f</b> <b>V/f w PG</b> <b>OLV</b> <b>CLV</b></p> <p><b>OLV/PM</b> <b>AOLV/PM</b> <b>CLV/PM</b></p> <p>Sets the time the current must exceed the Stall Prevention level to activate Stall Prevention.</p>	Default: 50 ms Min.: 0 Max.: 5000	289
L3-36 (11D5)	Vibration Suppression Gain during Acceleration (with Current Limit)	ILim Acc Gain	<p><b>V/f</b> <b>V/f w PG</b> <b>OLV</b> <b>CLV</b></p> <p><b>OLV/PM</b> <b>AOLV/PM</b> <b>CLV/PM</b></p> <p>Increase the setting value if oscillation occurs in the output current during acceleration.</p>	Default: <3> Min.: 0.0 Max.: 100.0	289
L3-39 (11D5)	Current-limited Integral Time Constant during Acceleration	ILim Acc I Time	<p><b>V/f</b> <b>V/f w PG</b> <b>OLV</b> <b>CLV</b></p> <p><b>OLV/PM</b> <b>AOLV/PM</b> <b>CLV/PM</b></p> <p>Sets the time constant for acceleration rate adjustment for current-limited acceleration.</p>	Default: 100.0 ms Min.: 1.0 Max.: 1000.0	289
L3-40 (11D6)	Current-limited Maximum S-curve Selection during Acceleration	ILimAcc S-Curve 0: Disable 1: Enable	<p><b>V/f</b> <b>V/f w PG</b> <b>OLV</b> <b>CLV</b></p> <p><b>OLV/PM</b> <b>AOLV/PM</b> <b>CLV/PM</b></p> <p>0: Disable 1: Enable</p>	Default: 0 Range: 0, 1	289
L3-41 (11D7)	Vibration Suppression Gain during Deceleration (with Current Limit)	ILim Dec Gain	<p><b>V/f</b> <b>V/f w PG</b> <b>OLV</b> <b>CLV</b></p> <p><b>OLV/PM</b> <b>AOLV/PM</b> <b>CLV/PM</b></p> <p>Increase the setting value if oscillation occurs in the output current during deceleration.</p>	Default: <3> Min.: 1.0 Max.: 100.0	289
L3-44 (11D8)	Current-limited Integral Time Constant during Deceleration	ILim Dec I Time	<p><b>V/f</b> <b>V/f w PG</b> <b>OLV</b> <b>CLV</b></p> <p><b>OLV/PM</b> <b>AOLV/PM</b> <b>CLV/PM</b></p> <p>Sets the time constant for deceleration rate adjustment for current-limited deceleration.</p>	Default: 100.0 ms Min.: 1.0 Max.: 1000.0	289
L3-45 (11D9)	Current-limited Maximum S-curve Selection during Deceleration	ILimDec S-Curve 0: Disable 1: Enable	<p><b>V/f</b> <b>V/f w PG</b> <b>OLV</b> <b>CLV</b></p> <p><b>OLV/PM</b> <b>AOLV/PM</b> <b>CLV/PM</b></p> <p>0: Disable 1: Enable</p> <p>Available when L3-04 = 6.</p>	Default: 0 Range: 0, 1	289

<1> The default setting and upper limit are determined by C6-01, Drive Duty Selection, and L8-38, Frequency Reduction Selection.

<2> The setting range is 0 and 1 in OLV/PM, AOLV/PM, and CLV/PM control modes.

<3> Default setting is determined by parameter A1-02, Control Method Selection.

<4> Default setting is determined by parameter A1-02, Control Method Selection.

When A1-02 = 6 (AOLV/PM), default is 0.2

When A1-02 = 7 (CLV/PM), default is 0.02.

### ◆ L4: Speed Detection

No. (Addr. Hex)	Name	LCD Display	Description	Values	Page
L4-01 (0499)	Speed Agree Detection Level	Spd Agree Level	<p><b>All Modes</b></p> <p>L4-01 sets the frequency detection level for digital output functions H2-□□ = 2, 3, 4, 5.</p>	Default: 0.0 Hz Min.: 0.0 Max.: 400.0	289
L4-02 (049A)	Speed Agree Detection Width	Spd Agree Width	<p><b>All Modes</b></p> <p>L4-02 sets the hysteresis or allowable margin for speed detection.</p>	Default: <1> Min.: 0.0 Max.: 20.0	289
L4-03 (049B)	Speed Agree Detection Level (+/-)	Spd Agree Lvl+-	<p><b>All Modes</b></p> <p>L4-03 sets the frequency detection level for digital output functions H2-□□ = 13, 14, 15, 16.</p>	Default: 0.0 Hz Min.: -400.0 Max.: 400.0	290
L4-04 (49C)	Speed Agree Detection Width (+/-)	Spd Agree Wdth+-	<p><b>All Modes</b></p> <p>L4-04 sets the hysteresis or allowable margin for speed detection.</p>	Default: <1> Min.: 0.0 Max.: 20.0	290

## B.10 L: Protection Function

No. (Addr. Hex)	Name	LCD Display	Description	Values	Page
L4-05 (049D)	Frequency Reference Loss Detection Selection	Ref Loss Sel 0: Stop 1: Run@L4-06PrevRef	<b>All Modes</b> 0: Stop. Drive stops when the frequency reference is lost. 1: Run. Drive runs at a reduced speed when the frequency reference is lost.	Default: 0 Range: 0, 1	290
L4-06 (04C2)	Frequency Reference at Reference Loss	Fref at Floss	<b>All Modes</b> Sets the percentage of the frequency reference that the drive should run with when the frequency reference is lost.	Default: 80.0% Min.: 0.0 Max.: 100.0	290
L4-07 (0470)	Speed Agree Detection Selection	Freq Detect Sel 0: No Detection @BB 1: Always Detected	<b>All Modes</b> 0: No detection during baseblock. 1: Detection always enabled.	Default: 0 Range: 0, 1	290

<1> Default setting is determined by parameter A1-02, Control Method Selection.

## ◆ L5: Fault Restart

No. (Addr. Hex)	Name	LCD Display	Description	Values	Page
L5-01 (049E)	Number of Auto Restart Attempts	Num of Restarts	<b>All Modes</b> Sets the number of times the drive may attempt to restart after the following faults occur: GF, LF, oC, oH1, oL1, oL3, oL4, ov, Sto, Uv1.	Default: 0 Min.: 0 Max.: 10	291
L5-02 (049F)	Auto Restart Fault Output Operation Selection	Restart Sel 0: Flt Outp Disabl 1: Flt Outp Enabled	<b>All Modes</b> 0: Fault output not active. 1: Fault output active during restart attempt.	Default: 0 Range: 0, 1	291
L5-04 (046C)	Fault Reset Interval Time	Flt Reset Wait T	<b>All Modes</b> Sets the amount of time to wait between performing fault restarts.	Default: 10.0 s Min.: 0.5 Max.: 600.0	292
L5-05 (0467)	Fault Reset Operation Selection	Fault Reset Sel 0: Continuous 1: Use L5-04 Time	<b>All Modes</b> 0: Continuously attempt to restart while incrementing restart counter only at a successful restart (same as F7 and G7). 1: Attempt to restart with the interval time set in L5-04 and increment the restart counter with each attempt (same as V7).	Default: 0 Range: 0, 1	292

## ◆ L6: Torque Detection

No. (Addr. Hex)	Name	LCD Display	Description	Values	Page
L6-01 (04A1)	Torque Detection Selection 1	Torq Det 1 Sel 0: Disabled 1: OL Alm at SpdAgr 2: OL Alm dur RUN 3: OL Flt at SpdAgr 4: OL Flt dur RUN 5: UL Alm at SpdAgr 6: UL Alm dur RUN 7: UL Flt at SpdAgr 8: UL Flt dur RUN	<b>All Modes</b> 0: Disabled 1: oL3 detection only active during speed agree, operation continues after detection 2: oL3 detection always active during run, operation continues after detection 3: oL3 detection only active during speed agree, output shuts down on an oL3 fault 4: oL3 detection always active during run, output shuts down on an oL3 fault 5: UL3 detection only active during speed agree, operation continues after detection 6: UL3 detection always active during run, operation continues after detection 7: UL3 detection only active during speed agree, output shuts down on a UL3 fault 8: UL3 detection always active during run, output shuts down on a UL3 fault	Default: 0 Range: 0 to 8	293
L6-02 (04A2)	Torque Detection Level 1	Torq Det 1 Lvl	<b>All Modes</b> Sets the overtorque and undertorque detection level.	Default: 150% Min.: 0 Max.: 300	294

No. (Addr. Hex)	Name	LCD Display	Description	Values	Page
L6-03 (04A3)	Torque Detection Time 1	Torq Det 1 Time	<b>All Modes</b> Sets the time an overtorque or undertorque condition must exist to trigger torque detection 1.	Default: 0.1 s Min.: 0.0 Max.: 10.0	294
L6-04 (04A4)	Torque Detection Selection 2	Torq Det 2 Sel 0: Disabled 1: OL Alm at SpdAgr 2: OL Alm dur RUN 3: OL Flt at SpdAgr 4: OL Flt dur RUN 5: UL Alm at SpdAgr 6: UL Alm dur RUN 7: UL Flt at SpdAgr 8: UL Flt dur RUN	<b>All Modes</b> 0: Disabled 1: oL4 detection only active during speed agree, operation continues after detection 2: oL4 detection always active during run, operation continues after detection 3: oL4 detection only active during speed agree, output shuts down on an oL4 fault 4: oL4 detection always active during run, output shuts down on an oL4 fault 5: UL4 detection only active during speed agree, operation continues after detection 6: UL4 detection always active during run, operation continues after detection 7: UL4 detection only active during speed agree, output shuts down on a UL4 fault 8: UL4 detection always active during run, output shuts down on a UL4 fault	Default: 0 Range: 0 to 8	293
L6-05 (04A5)	Torque Detection Level 2	Torq Det 2 Lvl	<b>All Modes</b> Sets the overtorque and undertorque detection level.	Default: 150% Min.: 0 Max.: 300	294
L6-06 (04A6)	Torque Detection Time 2	Torq Det 2 Time	<b>All Modes</b> Sets the time an overtorque or undertorque condition must exist to trigger torque detection 2.	Default: 0.1 s Min.: 0.0 Max.: 10.0	294
L6-08 (0468)	Mechanical Weakening Detection Operation	Mech Fatigue Sel 0: Disabled 1: Alm Spd>L6-09 2: Alm [Spd]>L6-09 3: Flt Spd>L6-09 4: Flt [Spd]>L6-09 5: Alm Spd<L6-09 6: Alm [Spd]<L6-09 7: Flt Spd<L6-09 8: Flt [Spd]<L6-09	<b>All Modes</b> This function can detect an overtorque or undertorque in a certain speed range as a result of machine fatigue. It is triggered by a specified operation time and uses the oL1 detection settings (L6-01 and L6-03). 0: Mechanical Weakening Detection disabled. 1: Continue running (alarm only). Detected when the speed (signed) is greater than L6-09. 2: Continue running (alarm only). Detected when the speed (not signed) is greater than L6-09. 3: Interrupt drive output (fault). Detected when the speed (signed) is greater than L6-09. 4: Interrupt drive output (fault). Detected when the speed (not signed) is greater than L6-09. 5: Continue running (alarm only). Detected when the speed (signed) is less than L6-09. 6: Continue running (alarm only). Detected when the speed (not signed) is less than L6-09. 7: Interrupt drive output (fault). Detected when the speed (signed) is less than L6-09. 8: Interrupt drive output (fault). Detected when the speed (not signed) is less than L6-09.	Default: 0 Range: 0 to 8	294
L6-09 (0469)	Mechanical Weakening Detection Speed Level	MechFat Det Spd	<b>All Modes</b> Sets the speed that triggers Mechanical Weakening Detection. When L6-08 is set for an unsigned value, the absolute value is used if the setting is negative.	Default: 110.0% Min.: -110.0 Max.: 110.0	295
L6-10 (046A)	Mechanical Weakening Detection Time	MechFat Det Time	<b>All Modes</b> Sets the time mechanical weakening has to be detected before an alarm or fault is triggered.	Default: 0.1 s Min.: 0.0 Max.: 10.0	295
L6-11 (046B)	Mechanical Weakening Detection Start Time	MechFat Det Hour	<b>All Modes</b> Sets the operation time (U1-04) required before Mechanical Weakening Detection is active.	Default: 0 h Min.: 0 Max.: 65535	295

## B.10 L: Protection Function

### ◆ L7: Torque Limit

No. (Addr. Hex)	Name	LCD Display	Description	Values	Page
L7-01 (04A7)	Forward Torque Limit	Torq Limit Fwd	<p>Sets the torque limit value as a percentage of the motor rated torque. Four individual quadrants can be set.</p>	Default: 200% Min.: 0 Max.: 300	296
L7-02 (04A8)	Reverse Torque Limit	Torq Limit Rev		Default: 200% Min.: 0 Max.: 300	296
L7-03 (04A9)	Forward Regenerative Torque Limit	Torq Lmt Fwd Rgn		Default: 200% Min.: 0 Max.: 300	296
L7-04 (04AA)	Reverse Regenerative Torque Limit	Torq Lmt Rev Rgn		Default: 200% Min.: 0 Max.: 300	296
L7-06 (04AC)	Torque Limit Integral Time Constant	Trq Lim I Time	<p>Sets the integral time constant for the torque limit.</p>	Default: 200 ms Min.: 5 Max.: 10000	296
L7-07 (04C9)	Torque Limit Control Method Selection during Accel/Decel	Trq Lim d AccDec P-ctrl @ Acc/Dec I-ctrl @ Acc/Dec	<p>0: Proportional control (changes to integral control at constant speed). Use this setting when acceleration to the desired speed should take precedence over the torque limit. 1: Integral control. Set L7-07 to 1 if the torque limit should take precedence.</p>	Default: 0 Range: 0, 1	296
L7-16 (0444D)	Torque Limit Process at Start	TLim DlyTime Sel 0: Disabled 1: Enabled	<p>0: Disabled 1: Enabled</p>	Default: 1 Range: 0, 1	296

### ◆ L8: Drive Protection

No. (Addr. Hex)	Name	LCD Display	Description	Values	Page
L8-02 (04AE)	Overheat Alarm Level	OH Pre-Alarm Lvl	<p>An overheat alarm occurs when heatsink temperature exceeds the L8-02 level.</p>	Default: <I> Min.: 50 °C Max.: 150 °C	297
L8-03 (04AF)	Overheat Pre-Alarm Operation Selection	OH Pre-Alarm Sel 0: Ramp to Stop 1: Coast to Stop 2: Fast-Stop 3: Alarm Only 4: Run@L8-19 Rate	<p>0: Ramp to stop. A fault is triggered. 1: Coast to stop. A fault is triggered. 2: Fast Stop. Decelerate to stop using the deceleration time in C1-09. A fault is triggered. 3: Continue operation. An alarm is triggered. 4: Continue operation at reduced speed as set in L8-19.</p>	Default: 3 Range: 0 to 4	297
L8-07 (04B3)	Output Phase Loss Protection Selection	Outp Ph Loss Det 0: Disabled 1: 1PH Loss Det 2: 2/3PH Loss Det	<p>0: Disabled 1: Enabled (triggered by a single phase loss) 2: Enabled (triggered when two phases are lost)</p> <p><b>Note:</b> Output phase loss detection can mistakenly be triggered if the motor rated current is very small compared to the drive rated output current. Disable this parameter in such cases.</p>	Default: 1 Range: 0 to 2	298
L8-09 (04B5)	Output Ground Fault Detection Selection	Grnd Flt Det Sel 0: Disabled 1: Enabled	<p>0: Disabled 1: Enabled</p>	Default: 1 Range: 0, 1	298

No. (Addr. Hex)	Name	LCD Display	Description	Values	Page
L8-10 (04B6)	Heatsink Cooling Fan Operation Selection	Fan On/Off Sel 0: Dur Run (OffDly) 1: Always On	<b>All Modes</b> 0: Run with timer (Fan operates only during run and for L8-11 seconds after stop.) 1: Run always (Cooling fan operates whenever the drive is powered up.) <b>Note:</b> If a damping resistor overheat (doH) is detected, the cooling fan will turn on regardless of the setting value.	Default: 0 Range: 0, 1	298
L8-11 (04B7)	Heatsink Cooling Fan Off Delay Time	Fan Delay Time	<b>All Modes</b> Sets a delay time to shut off the cooling fan after the Run command is removed when L8-10 = 0.	Default: 60 s Min.: 0 Max.: 300	299
L8-12 (04B8)	Ambient Temperature Setting	Ambient Temp	<b>All Modes</b> Enter the ambient temperature. This value adjusts the oL2 detection level.	Default: 40 °C Min.: -10 Max.: 50	299
L8-15 (04BB)	oL2 Characteristics Selection at Low Speeds	OL2 Sel @ L-Spd 0: Disabled 1: Enabled	<b>All Modes</b> 0: No oL2 level reduction below 6 Hz. 1: oL2 level is reduced linearly below 6 Hz. It is halved at 0 Hz.	Default: 1 Range: 0, 1	299
L8-18 (04BE)	Software Current Limit Selection	Soft CLA Sel 0: Disabled 1: Enabled	<b>V/f</b> <b>V/f w PG</b> <b>OLV</b> <b>CLV</b> <b>OLV/PM</b> <b>AOLV/PM</b> <b>CLV/PM</b> 0: Disabled 1: Enabled	Default: 0 Range: 0, 1	299
L8-19 (04BF)	Frequency Reduction Rate during Overheat Pre-Alarm	Fc Red dur OHAIm	<b>All Modes</b> Specifies the frequency reference reduction gain at overheat pre-alarm when L8-03 = 4.	Default: 0.8 Min.: 0.1 Max.: 0.9	299
L8-27 (04DD)	Overcurrent Detection Gain	OC Level	<b>V/f</b> <b>V/f w PG</b> <b>OLV</b> <b>CLV</b> <b>OLV/PM</b> <b>AOLV/PM</b> <b>CLV/PM</b> Sets the gain for overcurrent detection as a percentage of the motor rated current. Overcurrent is detected using the lower value between the overcurrent level of the drive or the value set to L8-27.	Default: 300.0% Min.: 0.0 Max.: 400.0	300
L8-29 (04DF)	Current Unbalance Detection (LF2)	LF2 Flt Det Sel 0: Disabled 2: Current Det Type	<b>V/f</b> <b>V/f w PG</b> <b>OLV</b> <b>CLV</b> <b>OLV/PM</b> <b>AOLV/PM</b> <b>CLV/PM</b> 0: Disabled 2: Enabled (current detection)	Default: 2 Range: 0, 2	300
L8-32 (04E2)	Cooling Fan Failure Selection	MC/FAN PS FltSel 0: Ramp to Stop 1: Coast to Stop 2: Fast-Stop	<b>All Modes</b> Determines drive response when a fault occurs with the internal cooling fan. 0: Ramp to stop 1: Coast to stop 2: Fast stop (Decelerate to stop using the deceleration time set to C1-09)	Default: 1 Range: 0 to 2	300
L8-35 (04EC)	Installation Method Selection	Installation Sel 0: IP00/OpenChassis 2: IP20/Nema Type 1 3: Finless/Fin Ext	<b>All Modes</b> 0: IP00/Open-Chassis enclosure 2: IP20/NEMA Type 1 enclosure 3: Finless model drive or external heatsink installation	Default: <2> Range: 0 to 3	300
L8-38 (04EF)	Carrier Frequency Reduction	Fc Reduct dur OL 0: Disabled 1: Active below 6Hz 2: Active @ any Spd	<b>V/f</b> <b>V/f w PG</b> <b>OLV</b> <b>CLV</b> <b>OLV/PM</b> <b>AOLV/PM</b> <b>CLV/PM</b> 0: Disabled 1: Enabled below 6 Hz 2: Enabled for the entire speed range	Default: <3> Range: 0 to 2	301
L8-40 (04F1)	Carrier Frequency Reduction Off Delay Time	Fc Reduct Time	<b>V/f</b> <b>V/f w PG</b> <b>OLV</b> <b>CLV</b> <b>OLV/PM</b> <b>AOLV/PM</b> <b>CLV/PM</b> Sets the time that the drive continues running with reduced carrier frequency after the carrier reduction condition is gone. Setting 0.00 s disables the carrier frequency reduction time.	Default: <4> Min.: 0.00 s Max.: 2.00 s	301

## B.10 L: Protection Function

No. (Addr. Hex)	Name	LCD Display	Description	Values	Page
L8-41 (04F2)	High Current Alarm Selection	High Cur Alm Sel 0: Disabled 1: Enabled	<b>All Modes</b> 0: Disabled 1: Enabled. An alarm is triggered at output currents above 150% of drive rated current.	Default: 0 Range: 0, 1	301
L8-93 (073C)	LSO Detection Time at Low Speed	LSO Det Time	<input type="button" value="V/f"/> <input type="button" value="V/f w PG"/> <input type="button" value="OLV"/> <input type="button" value="CLV"/> <input type="button" value="OLV/PM"/> <input checked="" type="button" value="AOLV/PM"/> <input type="button" value="CLV/PM"/> Sets the amount of time until baseblock is executed after detecting pull-out at low speed.	Default: 1.0 s Min.: 0.0 Max.: 10.0	301
L8-94 (073D)	LSO Detection Level at Low Speed	LSO Det Level	<input type="button" value="V/f"/> <input type="button" value="V/f w PG"/> <input type="button" value="OLV"/> <input type="button" value="CLV"/> <input type="button" value="OLV/PM"/> <input checked="" type="button" value="AOLV/PM"/> <input type="button" value="CLV/PM"/> Determines the detection level of pull-out at low speed.	Default: 3% Min.: 0 Max.: 10	302
L8-95 (073F)	Average LSO Frequency at Low Speed	Num of LSO Avg	<input type="button" value="V/f"/> <input type="button" value="V/f w PG"/> <input type="button" value="OLV"/> <input type="button" value="CLV"/> <input type="button" value="OLV/PM"/> <input checked="" type="button" value="AOLV/PM"/> <input type="button" value="CLV/PM"/> Sets the average number of times pull-out can occur at low speed.	Default: 10 times Min.: 1 Max.: 50	302

<1> Default setting is determined by parameters C6-01, Drive Duty Selection, and o2-04, Drive Model Selection.

<2> Default setting is determined by parameter o2-04, Drive Model Selection.

<3> Default setting is determined by parameters A1-02, Control Method Selection, and o2-04, Drive Model Selection.

<4> Default setting is determined by parameter A1-02, Control Method Selection.

## ◆ L9: Drive Protection 2

No. (Addr. Hex)	Name	LCD Display	Description	Values	Page
L9-03 (0819)	Carrier Frequency Reduction Level Selection	Fc ReductLvl Sel 0: Disabled 1: Enabled	<input type="button" value="V/f"/> <input checked="" type="button" value="V/f w PG"/> <input type="button" value="OLV"/> <input type="button" value="CLV"/> <input type="button" value="OLV/PM"/> <input type="button" value="AOLV/PM"/> <input checked="" type="button" value="CLV/PM"/> Selects the level to start the reduction of the frequency or to clear the current frequency level for the automatic reduction of the carrier frequency. There is normally no need to change this parameter from the default value. 0: Reduces the carrier frequency based on the drive rated current that is not derated. 1: Reduces the carrier frequency based on the drive rated current that is derated by the carrier frequency and the temperature selected for C6-02.	Default: 0 Range: 0, 1	302



## B.11 n: Special Adjustments

The n parameters adjust more advanced performance characteristics such as Hunting Prevention, speed feedback detection, and Online Tuning for motor line-to-line resistance.

### ◆ n1: Hunting Prevention

No. (Addr. Hex)	Name	LCD Display	Description	Values	Page
n1-01 (0580)	Hunting Prevention Selection	Hunt Prev Select 0: Disabled 1: Enabled	<input checked="" type="radio"/> V/f <input checked="" type="radio"/> V/f w PG <input type="radio"/> OLV <input type="radio"/> CLV <input type="radio"/> OLV/PM <input type="radio"/> AOLV/PM <input type="radio"/> CLV/PM 0: Disabled 1: Enabled	Default: 1 Range: 0, 1	303
n1-02 (0581)	Hunting Prevention Gain Setting	Hunt Prev Gain	<input checked="" type="radio"/> V/f <input checked="" type="radio"/> V/f w PG <input type="radio"/> OLV <input type="radio"/> CLV <input type="radio"/> OLV/PM <input type="radio"/> AOLV/PM <input type="radio"/> CLV/PM If the motor vibrates while lightly loaded, increase the gain by 0.1 until vibration ceases. If the motor stalls, decrease the gain by 0.1 until the stalling ceases.	Default: 1.00 Min.: 0.00 Max.: 2.50	303
n1-03 (0582)	Hunting Prevention Time Constant	Hunt Prev Time	<input checked="" type="radio"/> V/f <input checked="" type="radio"/> V/f w PG <input type="radio"/> OLV <input type="radio"/> CLV <input type="radio"/> OLV/PM <input type="radio"/> AOLV/PM <input type="radio"/> CLV/PM Sets the time constant used for Hunting Prevention.	Default: <1> Min.: 0 ms Max.: 500 ms	303
n1-05 (0530)	Hunting Prevention Gain while in Reverse	Hprev Gain @Rev	<input checked="" type="radio"/> V/f <input checked="" type="radio"/> V/f w PG <input type="radio"/> OLV <input type="radio"/> CLV <input type="radio"/> OLV/PM <input type="radio"/> AOLV/PM <input type="radio"/> CLV/PM Sets the gain used for Hunting Prevention. If set to 0, the gain set to n1-02 is used for operation in reverse.	Default: 0.00 Min.: 0.00 Max.: 2.50	303

<1> Default setting is determined by parameter o2-04, Drive Model Selection.

### ◆ n2: Speed Feedback Detection Control (AFR) Tuning

No. (Addr. Hex)	Name	LCD Display	Description	Values	Page
n2-01 (0584)	Speed Feedback Detection Control (AFR) Gain	AFR Gain	<input type="radio"/> V/f <input type="radio"/> V/f w PG <input checked="" type="radio"/> OLV <input type="radio"/> CLV <input type="radio"/> OLV/PM <input type="radio"/> AOLV/PM <input type="radio"/> CLV/PM Sets the internal speed feedback detection control gain in the automatic frequency regulator (AFR). If hunting occurs, increase the set value. If response is low, decrease the set value.	Default: 1.00 Min.: 0.00 Max.: 10.00	304
n2-02 (0585)	Speed Feedback Detection Control (AFR) Time Constant 1	AFR Time	<input type="radio"/> V/f <input type="radio"/> V/f w PG <input checked="" type="radio"/> OLV <input type="radio"/> CLV <input type="radio"/> OLV/PM <input type="radio"/> AOLV/PM <input type="radio"/> CLV/PM Sets the time constant used for speed feedback detection control (AFR).	Default: 50 ms Min.: 0 Max.: 2000	304

### ◆ n3: Overexcitation Braking

No. (Addr. Hex)	Name	LCD Display	Description	Values	Page
n3-13 (0531)	Overexcitation Deceleration Gain	Hflux Brake Gain	<input checked="" type="radio"/> V/f <input checked="" type="radio"/> V/f w PG <input checked="" type="radio"/> OLV <input checked="" type="radio"/> CLV <input type="radio"/> OLV/PM <input type="radio"/> AOLV/PM <input type="radio"/> CLV/PM Sets the gain applied to the V/f pattern during Overexcitation Deceleration (L3-04 = 4).	Default: 1.10 Min.: 1.00 Max.: 2.00	304

## B.11 n: Special Adjustments

### ◆ n5: Feed Forward Control

No. (Addr. Hex)	Name	LCD Display	Description	Values	Page
n5-01 (05B0)	Feed Forward Control Selection	Feedforward Sel 0: Disabled 1: Enabled	<input type="radio"/> V/f <input type="radio"/> V/f w PG <input type="radio"/> OLV <input checked="" type="radio"/> CLV <input type="radio"/> OLV/PM <input checked="" type="radio"/> AOLV/PM <input checked="" type="radio"/> CLV/PM 0: Disabled 1: Enabled	Default: 0 Range: 0, 1	305
n5-02 (05B1)	Motor Acceleration Time	Motor Accel Time	<input type="radio"/> V/f <input type="radio"/> V/f w PG <input type="radio"/> OLV <input checked="" type="radio"/> CLV <input type="radio"/> OLV/PM <input checked="" type="radio"/> AOLV/PM <input checked="" type="radio"/> CLV/PM Sets the time required to accelerate the motor at the rated torque from stop to rated speed.	Default: <1> <2> Min.: 0.001 s Max.: 10.000 s	305
n5-03 (05B2)	Feed Forward Control Gain	Feedforward Gain	<input type="radio"/> V/f <input type="radio"/> V/f w PG <input type="radio"/> OLV <input checked="" type="radio"/> CLV <input type="radio"/> OLV/PM <input checked="" type="radio"/> AOLV/PM <input checked="" type="radio"/> CLV/PM Sets the ratio between motor and load inertia. Lower this setting if overshoot occurs at the end of acceleration.	Default: 1.00 Min.: 0.00 Max.: 100.00	306

<1> Default setting is determined by parameter E5-01, Motor Code Selection.

<2> Default setting is determined by parameters C6-01, Drive Duty Selection, and o2-04, Drive Model Selection.

### ◆ n6: Online Tuning

No. (Addr. Hex)	Name	LCD Display	Description	Values	Page
n6-01 (0570)	Online Tuning Selection	Online Tune Sel	<input type="radio"/> V/f <input type="radio"/> V/f w PG <input checked="" type="radio"/> OLV <input type="radio"/> CLV <input type="radio"/> OLV/PM <input type="radio"/> AOLV/PM <input type="radio"/> CLV/PM 0: Disabled 1: Line-to-line resistance tuning 2: Voltage correction. Setting not possible when Energy Saving is enabled (b8-01).	Default: 0 Range: 0 to 2	307
n6-05 (05C7)	Online Tuning Gain	R1 Comp Gain	<input type="radio"/> V/f <input type="radio"/> V/f w PG <input checked="" type="radio"/> OLV <input type="radio"/> CLV <input type="radio"/> OLV/PM <input type="radio"/> AOLV/PM <input type="radio"/> CLV/PM Decrease this setting for motors with a relatively large rotor time constant. If overload occurs, increase this setting slowly in increments of 0.10.	Default: 1.0 Min.: 0.1 Max.: 50.0	307

### ◆ n8: PM Motor Control Tuning

No. (Addr. Hex)	Name	LCD Display	Description	Values	Page
n8-01 (540)	Initial Rotor Position Estimation Current	InitRotPosDetCur	<input type="radio"/> V/f <input type="radio"/> V/f w PG <input type="radio"/> OLV <input type="radio"/> CLV <input type="radio"/> OLV/PM <input checked="" type="radio"/> AOLV/PM <input checked="" type="radio"/> CLV/PM Sets the current used for initial rotor position estimation as a percentage of the motor rated current (E5-03). If the motor nameplate lists an "Si" value, that value should be entered here.	Default: 50% Min.: 0 Max.: 100	307
n8-02 (541)	Pole Attraction Current	Pull-In Current	<input type="radio"/> V/f <input type="radio"/> V/f w PG <input type="radio"/> OLV <input type="radio"/> CLV <input type="radio"/> OLV/PM <input checked="" type="radio"/> AOLV/PM <input type="radio"/> CLV/PM Sets the current during initial polar attraction as a percentage of the motor rated current. Enter a high value when attempting to increase starting torque.	Default: 80% Min.: 0 Max.: 150	307
n8-11 (054A)	Induction Voltage Estimation Gain 2	InducedVEstGain2	<input type="radio"/> V/f <input type="radio"/> V/f w PG <input type="radio"/> OLV <input type="radio"/> CLV <input type="radio"/> OLV/PM <input checked="" type="radio"/> AOLV/PM <input checked="" type="radio"/> CLV/PM Sets the gain for estimating the speed. There is normally no need to change this parameter from the default value.	Default: <1> Min.: 0.0 Max.: 1000.0	307



No. (Addr. Hex)	Name	LCD Display	Description	Values	Page
n8-14 (054D)	Polarity Compensation Gain 3	PoleComp Gain 3	<p>V/f V/f w PG OLV CLV</p> <p>OLV/PM <b>AOLV/PM</b> CLV/PM</p> <p>Sets the gain for estimating the speed. There is normally no need to change this parameter from the default value.</p>	Default: 1.000 Min.: 0.000 Max.: 10.000	308
n8-15 (054E)	Polarity Compensation Gain 4	PoleComp Gain 4	<p>V/f V/f w PG OLV CLV</p> <p>OLV/PM <b>AOLV/PM</b> CLV/PM</p> <p>Sets the gain for estimating the speed. There is normally no need to change this parameter from the default value.</p>	Default: 0.500 Min.: 0.000 Max.: 10.000	308
n8-21 (0554)	Motor Ke Gain	Back EMF Gain	<p>V/f V/f w PG OLV CLV</p> <p>OLV/PM <b>AOLV/PM</b> CLV/PM</p> <p>Sets the gain for estimating the speed. There is normally no need to change this parameter from the default value.</p>	Default: 0.90 Min.: 0.80 Max.: 1.00	308
n8-35 (562)	Initial Rotor Position Detection Selection	Init Pole EstSel 0: Pull-In Method 1: Harm Inj Method 2: Pulse Method	<p>V/f V/f w PG OLV CLV</p> <p>OLV/PM <b>AOLV/PM</b> <b>CLV/PM</b></p> <p>0: Pull-in 1: High frequency injection 2: Pulse injection</p>	Default: 1 Range: 0 to 2	308
n8-36 (0563)	High Frequency Injection Level	PM Harm Inj Freq	<p>V/f V/f w PG OLV CLV</p> <p>OLV/PM <b>AOLV/PM</b> <b>CLV/PM</b></p> <p>Sets the frequency in Hz for the superimposed signal used for superimposed harmonics. Enabled when n8-57 = 1. There is normally no need to change this parameter from the default value.</p>	Default: 500 Hz Min.: 200 Max.: 1000	308
n8-37 (0564)	High Frequency Injection Amplitude	PM Harm Inj Amp	<p>V/f V/f w PG OLV CLV</p> <p>OLV/PM <b>AOLV/PM</b> <b>CLV/PM</b></p> <p>Sets the amplitude of high-frequency injection as a percentage of the voltage class standard (200 V Class: 200 V, 400 V Class: 400 V). There is normally no need to change this parameter from the default value.</p>	Default: 20.0% Min.: 0.0 Max.: 50.0	308
n8-39 (0566)	Low Pass Filter Cutoff Frequency for High Frequency Injection	PM Harm LPF Freq	<p>V/f V/f w PG OLV CLV</p> <p>OLV/PM <b>AOLV/PM</b> <b>CLV/PM</b></p> <p>Sets the cutoff frequency of a low pass filter for high frequency injection. Enabled when n8-57 = 1. There is normally no need to change this parameter from the default value.</p>	Default: 50 Hz Min.: 0 Max.: 1000	308
n8-45 (0538)	Speed Feedback Detection Control Gain (for PM Motors)	PM Spd Fdbk Gain	<p>V/f V/f w PG OLV CLV</p> <p><b>OLV/PM</b> AOLV/PM CLV/PM</p> <p>Increase this setting if hunting occurs. Decrease to lower the response.</p>	Default: 0.80 Min.: 0.00 Max.: 10.00	309
n8-47 (053A)	Pull-In Current Compensation Time Constant (for PM Motors)	PM Pull-in I Tc	<p>V/f V/f w PG OLV CLV</p> <p><b>OLV/PM</b> AOLV/PM CLV/PM</p> <p>Sets the time constant to make the pull-in current reference and actual current value agree. Decrease the value if the motor begins to oscillate, and increase the value if it takes too long for the current reference to equal the output current.</p>	Default: 5.0 s Min.: 0.0 Max.: 100.0	309
n8-48 (053B)	Pull-In Current (for PM Motors)	PM No-load Curr	<p>V/f V/f w PG OLV CLV</p> <p><b>OLV/PM</b> AOLV/PM CLV/PM</p> <p>Defines the d-Axis current reference during no-load operation at a constant speed. Set as a percentage of the motor rated current. Increase this setting if hunting occurs while running at constant speed.</p>	Default: 30% Min.: 20 Max.: 200	309
n8-49 (053C)	d-Axis Current for High Efficiency Control (for PM Motors)	EnergySav ID Lvl	<p>V/f V/f w PG OLV CLV</p> <p><b>OLV/PM</b> AOLV/PM CLV/PM</p> <p>Sets the d-Axis current reference when running a high load at constant speed. Set as a percentage of the motor rated current.</p>	Default: <2> Min.: -200.0% Max.: 0.0%	309

## B.11 n: Special Adjustments

No. (Addr. Hex)	Name	LCD Display	Description	Values	Page
n8-51 (053E)	Acceleration/Deceleration Pull-In Current (for PM Motors)	PM Pull-in I@Acc	<div style="display: flex; justify-content: space-between; margin-bottom: 5px;"> <span>V/f</span> <span>V/f w PG</span> <span>OLV</span> <span>CLV</span> </div> <div style="display: flex; justify-content: space-between;"> <span><b>OLV/PM</b></span> <span>AOLV/PM</span> <span>CLV/PM</span> </div> <p>Sets the d-Axis current reference during acceleration/ deceleration as a percentage of the motor rated current. Set to a high value when more starting torque is needed.</p>	Default: 50% Min.: 0 Max.: 200	<a href="#">309</a>
n8-54 (056D)	Voltage Error Compensation Time Constant	PM V Error CompT	<div style="display: flex; justify-content: space-between; margin-bottom: 5px;"> <span>V/f</span> <span>V/f w PG</span> <span>OLV</span> <span>CLV</span> </div> <div style="display: flex; justify-content: space-between;"> <span><b>OLV/PM</b></span> <span>AOLV/PM</span> <span>CLV/PM</span> </div> <p>Adjusts the value when hunting occurs at low speed. If hunting occurs with sudden load changes, increase n8-54 in increments of 0.1. Reduce this setting if oscillation occurs at start.</p>	Default: 1.00 s Min.: 0.00 Max.: 10.00	<a href="#">309</a>
n8-55 (056E)	Load Inertia	PMLoad wk2 Ratio 0: Less than 1:10 1: 1:10 to 1:30 2: 1:30 to 1:50 3: More than 1:50	<div style="display: flex; justify-content: space-between; margin-bottom: 5px;"> <span>V/f</span> <span>V/f w PG</span> <span>OLV</span> <span>CLV</span> </div> <div style="display: flex; justify-content: space-between;"> <span><b>OLV/PM</b></span> <span>AOLV/PM</span> <span>CLV/PM</span> </div> <p>Sets the ratio between motor and machine inertia.</p> <p>0: Below 1:10 1: Between 1:10 and 1:30 2: Between 1:30 and 1:50 3: Beyond 1:50</p>	Default: 0 Min.: 0 Max.: 3	<a href="#">310</a>
n8-57 (0574)	High Frequency Injection	PM Harm Inj Sel 0: Disabled 1: Enabled	<div style="display: flex; justify-content: space-between; margin-bottom: 5px;"> <span>V/f</span> <span>V/f w PG</span> <span>OLV</span> <span>CLV</span> </div> <div style="display: flex; justify-content: space-between;"> <span>OLV/PM</span> <span><b>AOLV/PM</b></span> <span>CLV/PM</span> </div> <p>0: Disabled. Disable when using an SPM motor. 1: Enabled. Use this setting to enhance the speed control range when using an IPM motor.</p>	Default: 0 Range: 0, 1	<a href="#">310</a>
n8-62 (057D)	Output Voltage Limit (for PM Motors)	PM Vout Limit	<div style="display: flex; justify-content: space-between; margin-bottom: 5px;"> <span>V/f</span> <span>V/f w PG</span> <span>OLV</span> <span>CLV</span> </div> <div style="display: flex; justify-content: space-between;"> <span><b>OLV/PM</b></span> <span><b>AOLV/PM</b></span> <span><b>CLV/PM</b></span> </div> <p>Prevents output voltage saturation. Should be set just below the voltage provided by the input power supply.</p>	Default: 200.0 V <2> Min.: 0.0 Max.: 250.0 <3>	<a href="#">310</a>
n8-69 (065D)	Speed Estimation Gain	SpdSrch Gain	<div style="display: flex; justify-content: space-between; margin-bottom: 5px;"> <span>V/f</span> <span>V/f w PG</span> <span>OLV</span> <span>CLV</span> </div> <div style="display: flex; justify-content: space-between;"> <span>OLV/PM</span> <span><b>AOLV/PM</b></span> <span>CLV/PM</span> </div> <p>Sets the proportional gain for PLL control of an extended observer. There is normally no need to change this parameter from the default value.</p>	Default: 1.00 Min.: 0.00 Max.: 20.00	<a href="#">310</a>
n8-72 (0655)	Speed Estimation Method Selection	Spd Est method 0: Conventional 1: A1000 method	<div style="display: flex; justify-content: space-between; margin-bottom: 5px;"> <span>V/f</span> <span>V/f w PG</span> <span>OLV</span> <span>CLV</span> </div> <div style="display: flex; justify-content: space-between;"> <span>OLV/PM</span> <span><b>AOLV/PM</b></span> <span>CLV/PM</span> </div> <p>Sets the method to be used for estimating the speed. 0: Conventional method 1: 1000-series method There is normally no need to change this parameter from the default value.</p>	Default: 1 Range: 0, 1	<a href="#">311</a>
n8-84 (02D3)	Initial Polarity Estimation Timeout Current	Polarity Det Curr	<div style="display: flex; justify-content: space-between; margin-bottom: 5px;"> <span>V/f</span> <span>V/f w PG</span> <span>OLV</span> <span>CLV</span> </div> <div style="display: flex; justify-content: space-between;"> <span>OLV/PM</span> <span><b>AOLV/PM</b></span> <span><b>CLV/PM</b></span> </div> <p>Sets the current to determine polarity for the initial polarity calculation as a percentage of the motor rated current. 100% = Motor rated current</p> <p><b>Note:</b> If an "Si" value is listed on a Yaskawa motor nameplate, set n8-84 to "Si" value x 2.</p>	Default: 100% Min.: 0 Max.: 150	<a href="#">311</a>

<1> Default setting is determined by parameter n8-72, Speed Estimation Method Selection.

When n8-72 = 0, default is 50.0

When n8-72 = 1, default is 150.0.




<2> Default setting is determined by parameter E5-01, Motor Code Selection.

<3> Values shown are specific to 200 V class drives. Double the value for 400 V class drives.

## B.12 o: Operator-Related Settings

The o parameters set up the digital operator displays.

### ◆ o1: Digital Operator Display Selection

No. (Addr. Hex)	Name	LCD Display	Description	Values	Page
o1-01 (0500) 	Drive Mode Unit Monitor Selection	User Monitor Sel	<p><b>All Modes</b></p> <p>Switches the display after the power has been turned on. When using an LED operator, pressing the up arrow key will display the following data: frequency reference → rotational direction → output frequency → output current → output voltage → U1-□□.</p> <p><b>Note:</b> Enter the “1-□□” portion of “U1-□□” to view the monitor. Certain monitors are not available in all control modes.</p>	Default: 106 (Monitor U1-06) Range: 104 to 914	312
o1-02 (0501) 	User Monitor Selection after Power Up	Power-On Monitor 1: Frequency Ref 2: FWD/REV 3: Output Freq 4: Output Current 5: User Monitor	<p><b>All Modes</b></p> <p>Selects the information displayed on the digital operator when the power is turned on.</p> <p>1: Frequency reference (U1-01) 2: Direction 3: Output frequency (U1-02) 4: Output current (U1-03) 5: User-selected monitor (set by o1-01)</p>	Default: 1 Range: 1 to 5	312
o1-03 (0502)	Digital Operator Display Selection	Display Unit Sel 0: 0.01 Hz 1: 0.01 % 2: r/min 3: User Units	<p><b>All Modes</b></p> <p>Sets the units the drive should use to display the frequency reference and motor speed monitors.</p> <p>0: 0.01 Hz 1: 0.01% (100% = E1-04) 2: r/min (calculated using the number of motor poles setting in E2-04, E4-04, or E5-04) 3: User-selected units (set by o1-10 and o1-11)</p>	Default: <1> Range: 0 to 3	312
o1-04 (0503)	V/f Pattern Display Unit	V/f Ptrn Unit 0: Hertz 1: RPM	<p>V/f    V/f w PG    OLV    <b>CLV</b></p> <p>OLV/PM    <b>AOLV/PM</b>    <b>CLV/PM</b></p> <p>0: Hz 1: r/min</p>	Default: <1> Range: 0, 1	313
o1-05 (0504) 	LCD Contrast Control	LCD Contrast	<p><b>All Modes</b></p> <p>Sets the contrast of the LCD operator.</p>	Default: 3 Min.: 0 Max.: 5	313
o1-10 (0520)	User-Set Display Units Maximum Value	UserDisp Scaling	<p><b>All Modes</b></p> <p>These settings define the display values when o1-03 is set to 3. o1-10 sets the display value that is equal to the maximum output frequency.</p>	Default: <2> Range: 1 to 60000	313
o1-11 (0521)	User-Set Display Units Decimal Display	UserDisp Dec Sel	o1-11 sets the position of the decimal position.	Default: <2> Range: 0 to 3	313

<1> Default setting is determined by parameter A1-02, Control Method Selection.

<2> Default setting is determined by parameter o1-03, Digital Operator Display Selection.

### ◆ o2: Digital Operator Keypad Functions

No. (Addr. Hex)	Name	LCD Display	Description	Values	Page
o2-01 (0505)	LOCAL/REMOTE Key Function Selection	LO/RE Key 0: Disabled 1: Enabled	<p><b>All Modes</b></p> <p>0: Disabled 1: Enabled. LO/RE key switches between LOCAL and REMOTE operation.</p>	Default: 1 Range: 0, 1	313
o2-02 (0506)	STOP Key Function Selection	Oper STOP Key 0: Disabled 1: Enabled	<p><b>All Modes</b></p> <p>0: Disabled. STOP key is disabled in REMOTE operation. 1: Enabled. STOP key is always enabled.</p>	Default: 1 Range: 0, 1	314

## B.12 o: Operator-Related Settings

No. (Addr. Hex)	Name	LCD Display	Description	Values	Page
o2-03 (0507)	User Parameter Default Value	User Default Sel 0: No Change 1: Save User Init 2: Clear User Init	<b>All Modes</b> 0: No change. 1: Set defaults. Saves parameter settings as default values for a User Initialization. 2: Clear all. Clears the default settings that have been saved for a User Initialization.	Default: 0 Range: 0 to 2	314
o2-04 (0508)	Drive Model Selection	Inverter Model #	<b>All Modes</b> Enter the drive model. Setting required only if installing a new control board.	Default: Determined by drive capacity	314
o2-05 (0509)	Frequency Reference Setting Method Selection	Oper Ref Method 0: Disabled 1: Enabled	<b>All Modes</b> 0: ENTER key must be pressed to enter a frequency reference. 1: ENTER key is not required. The frequency reference can be adjusted using the up and down arrow keys only.	Default: 0 Range: 0, 1	314
o2-06 (050A)	Operation Selection when Digital Operator is Disconnected	Oper Discon Det 0: Disabled 1: Enabled	<b>All Modes</b> 0: The drive continues operating if the digital operator is disconnected. 1: An oPr fault is triggered and the motor coasts to stop.	Default: 1 Range: 0, 1	315
o2-07 (0527)	Motor Direction at Power Up when Using Operator	For/RevSel@PwrUp 0: Forward 1: Reverse	<b>All Modes</b> 0: Forward 1: Reverse This parameter requires assigning drive operation to the digital operator.	Default: 0 Range: 0, 1	315
o2-09 (050D)	–	–	Factory use.	–	–

### ◆ o3: Copy Function

No. (Addr. Hex)	Name	LCD Display	Description	Values	Page
o3-01 (0515)	Copy Function Selection	COPY SELECT 0: COPY SELECT 1: INV→OP READ 2: OP→INV WRITE 3: OP←→INV VERIFY	<b>All Modes</b> 0: Copy select 1: INV → OP READ (Read parameters from the drive, saving them onto the digital operator). 2: OP → INV WRITE (Copy parameters from the digital operator, writing them to the drive). 3: OP → INV VERIFY (Verify that parameter settings match the data saved on the operator). To read the drive parameter settings into the digital operator, set o3-02 to 1 (to allow reading).	Default: 0 Range: 0 to 3	315
o3-02 (0516)	Copy Allowed Selection	Read Allowable 0: Disabled 1: Enabled	<b>All Modes</b> Selects whether the read operation (o3-01 = 1) is enabled or disabled. 0: Read operation prohibited 1: Read operation allowed	Default: 0 Range: 0, 1	316

### ◆ o4: Maintenance Monitor Settings

No. (Addr. Hex)	Name	LCD Display	Description	Values	Page
o4-01 (050B)	Cumulative Operation Time Setting	DrvElapsTimeCnt	<b>All Modes</b> Sets the value for the cumulative operation time of the drive in units of 10 h.	Default: 0 Min.: 0 Max.: 9999	316
o4-02 (050C)	Cumulative Operation Time Selection	ElapsTimeCntSet 0: Power-On Time 1: Running Time	<b>All Modes</b> 0: Logs power-on time 1: Logs operation time when the drive output is active (output operation time).	Default: 0 Range: 0, 1	316

No. (Addr. Hex)	Name	LCD Display	Description	Values	Page
o4-03 (050E)	Cooling Fan Operation Time Setting	FanElapsTimeCn	<b>All Modes</b> Sets the value of the fan operation time monitor U4-03 in units of 10 h.	Default: 0 Min.: 0 Max.: 9999	316
o4-05 (051D)	Capacitor Maintenance Setting	BusCap Maint Set	<b>All Modes</b> Sets the value of the Maintenance Monitor for the capacitors. See U4-05 to check when the capacitors may need to be replaced.	Default: 0% Min.: 0 Max.: 150	316
o4-07 (0523)	DC Bus Pre-Charge Relay Maintenance Setting	ChrgCircMaintSet	<b>All Modes</b> Sets the value of the Maintenance Monitor for the soft charge bypass relay. See U4-06 to check when the bypass relay may need to be replaced.	Default: 0% Min.: 0 Max.: 150	316
o4-11 (0510)	U2, U3 Initialization	Fault Data Init 0: Disabled 1: Enabled	<b>All Modes</b> 0: U2-□□ and U3-□□ monitor data is not reset when the drive is initialized using A1-03. 1: U2-□□ and U3-□□ monitor data is reset when the drive is initialized using A1-03. Parameter is automatically reset to 0.	Default: 0 Range: 0, 1	317
o4-12 (0512)	kWh Monitor Initialization	kWh Monitor Init 0: No Reset 1: Reset	<b>All Modes</b> 0: No action 1: Reset kWh data	Default: 0 Range: 0, 1	317
o4-13 (0528)	Number of Run Commands Counter Initialization	Run Counter Init 0: No Reset 1: Reset	<b>All Modes</b> 0: U4-02 monitor data is not reset when the drive is initialized using A1-03. 1: U4-02 monitor data is reset when the drive is initialized using A1-03. Parameter is automatically reset to 0.	Default: 0 Range: 0, 1	317
o4-19 (113A)	Power Unit Price	Energy Price/kWh	<b>All Modes</b> Sets the price per 1 kWh to calculate the power rate displayed for total consumed power (U9-07 to U9-10) and total regenerated power (U9-11 to U9-14).	Default: 000.00 Min.: 000.00 Max.: 650.00	317

## B.13 DriveWorksEZ Parameters

### ◆ q: DriveWorksEZ Parameters

No. (Addr. Hex)	Name	Description	Values	Page
q1-01 to q6-07 (1600 to 1746)	DriveWorksEZ Parameters	<b>All Modes</b> Reserved for DriveWorksEZ	Refer to Help in the DWEZ software.	<a href="#">317</a>

### ◆ r: DriveWorksEZ Connection Parameters

No. (Addr. Hex)	Name	Description	Values	Page
r1-01 to r1-40 (1840 to 1867)	DriveWorksEZ Connection Parameters 1 to 20 (upper/lower)	<b>All Modes</b> DriveWorksEZ Connection Parameters 1 to 20 (upper/lower)	Default: 0 Min.: 0 Max.: FFFF	<a href="#">317</a>

# B.14 T: Motor Tuning

Enter data into the following parameters to tune the motor and drive for optimal performance.

## ◆ T1: Induction Motor Auto-Tuning

No. (Addr. Hex)	Name	LCD Display	Description	Values	Page
T1-00 (0700)	Motor 1/Motor 2 Selection	Select Motor 1: 1st Motor 2: 2nd Motor	<p><b>V/f</b> <b>V/f w PG</b> <b>OLV</b> <b>CLV</b></p> <p><input type="button" value="OLV/PM"/> <input type="button" value="AOLV/PM"/> <input type="button" value="CLV/PM"/></p> <p>1: Motor 1 (sets E1-□□, E2-□□) 2: Motor 2 (sets E3-□□, E4-□□)</p>	Default: 1 Range: 1, 2	137
T1-01 (0701) </>	Auto-Tuning Mode Selection	Tuning Mode Sel 0: Standard Tuning 2: Term Resistance 3: V/f Engy Sav Tun 4: Tune-No Rotate2 5: Tune-No Rotate3 8: Inertia Tuning 9: Tune ASR gain	<p><b>V/f</b> <b>V/f w PG</b> <b>OLV</b> <b>CLV</b></p> <p><input type="button" value="OLV/PM"/> <input type="button" value="AOLV/PM"/> <input type="button" value="CLV/PM"/></p> <p>0: Rotational Auto-Tuning 2: Stationary Auto-Tuning for Line-to-Line Resistance 3: Rotational Auto-Tuning for V/f Control (necessary for Energy Savings and Speed Estimation Speed Search) 4: Stationary Auto-Tuning 2 5: Stationary Auto-Tuning 3 8: Inertia Tuning (perform Rotational Auto-Tuning prior to Inertia Tuning) 9: ASR Gain Tuning (perform Rotational Auto-Tuning prior to ASR Gain Auto-Tuning)</p> <p><b>Note:</b> Settings 8 and 9 may not be available when gears are between the machine and the motor shaft.</p>	Default: 0 <2> Range: 0; 2 to 5; 8, 9	138
T1-02 (0702)	Motor Rated Power	Mtr Rated Power	<p><b>V/f</b> <b>V/f w PG</b> <b>OLV</b> <b>CLV</b></p> <p><input type="button" value="OLV/PM"/> <input type="button" value="AOLV/PM"/> <input type="button" value="CLV/PM"/></p> <p>Sets the motor rated power as specified on the motor nameplate.</p> <p><b>Note:</b> Use the following formula to convert horsepower into kilowatts: 1HP = 0.746 kW.</p>	Default: <3> Min.: 0.00 kW Max.: 650.00 kW	138
T1-03 (0703)	Motor Rated Voltage	Rated Voltage	<p><b>V/f</b> <b>V/f w PG</b> <b>OLV</b> <b>CLV</b></p> <p><input type="button" value="OLV/PM"/> <input type="button" value="AOLV/PM"/> <input type="button" value="CLV/PM"/></p> <p>Sets the motor rated voltage as specified on the motor nameplate.</p>	Default: 200.0 V <4> Min: 0.0 Max: 255.0 <4>	138
T1-04 (0704)	Motor Rated Current	Rated Current	<p><b>V/f</b> <b>V/f w PG</b> <b>OLV</b> <b>CLV</b></p> <p><input type="button" value="OLV/PM"/> <input type="button" value="AOLV/PM"/> <input type="button" value="CLV/PM"/></p> <p>Sets the motor rated current as specified on the motor nameplate.</p>	Default: <3> Min.: 10% of drive rated current Max.: 150% of drive rated current	138
T1-05 (0705)	Motor Base Frequency	Rated Frequency	<p><b>V/f</b> <b>V/f w PG</b> <b>OLV</b> <b>CLV</b></p> <p><input type="button" value="OLV/PM"/> <input type="button" value="AOLV/PM"/> <input type="button" value="CLV/PM"/></p> <p>Sets the rated frequency of the motor as specified on the motor nameplate.</p>	Default: 60.0 Hz Min.: 0.0 Max.: 400.0	138
T1-06 (0706)	Number of Motor Poles	Number of Poles	<p><b>V/f</b> <b>V/f w PG</b> <b>OLV</b> <b>CLV</b></p> <p><input type="button" value="OLV/PM"/> <input type="button" value="AOLV/PM"/> <input type="button" value="CLV/PM"/></p> <p>Sets the number of motor poles as specified on the motor nameplate.</p>	Default: 4 Min.: 2 Max.: 48	139
T1-07 (0707)	Motor Base Speed	Rated Speed	<p><b>V/f</b> <b>V/f w PG</b> <b>OLV</b> <b>CLV</b></p> <p><input type="button" value="OLV/PM"/> <input type="button" value="AOLV/PM"/> <input type="button" value="CLV/PM"/></p> <p>Sets the rated speed of the motor as specified on the motor nameplate.</p>	Default: 1750 r/min Min.: 0 Max.: 24000	138
T1-08 (0708)	PG Number of Pulses Per Revolution	PG Pulses/Rev	<p><input type="button" value="V/f"/> <input type="button" value="V/f w PG"/> <input type="button" value="OLV"/> <input checked="" type="button" value="CLV"/></p> <p><input type="button" value="OLV/PM"/> <input type="button" value="AOLV/PM"/> <input type="button" value="CLV/PM"/></p> <p>Sets the number of pulses per revolution for the PG being used (pulse generator or encoder).</p>	Default: 1024 ppr Min.: 1 Max.: 60000	138



## B.14 T: Motor Tuning

No. (Addr. Hex)	Name	LCD Display	Description	Values	Page
T1-09 (0709)	Motor No-Load Current (Stationary Auto-Tuning)	No-Load Current	<div style="display: flex; justify-content: space-between; align-items: center;"> <span>V/f</span> <span>V/f w PG</span> <span><b>OLV</b></span> <span><b>CLV</b></span> </div> <div style="display: flex; justify-content: space-between; align-items: center; margin-top: 5px;"> <span>OLV/PM</span> <span>AOLV/PM</span> <span>CLV/PM</span> </div> <p>Sets the no-load current for the motor. After setting the motor capacity to T1-02 and the motor rated current to T1-04, this parameter will automatically display the no-load current for a standard 4-pole Yaskawa motor. Enter the no-load current as indicated on the motor test report.</p>	Default: – Min.: 0 A Max.: T1-04	139
T1-10 (070A)	Motor Rated Slip (Stationary Auto-Tuning)	Motor Rated Slip	<div style="display: flex; justify-content: space-between; align-items: center;"> <span>V/f</span> <span>V/f w PG</span> <span><b>OLV</b></span> <span><b>CLV</b></span> </div> <div style="display: flex; justify-content: space-between; align-items: center; margin-top: 5px;"> <span>OLV/PM</span> <span>AOLV/PM</span> <span>CLV/PM</span> </div> <p>Sets the motor rated slip. After setting the motor capacity to T1-02, this parameter will automatically display the motor slip for a standard 4-pole Yaskawa motor. Enter the motor slip as indicated on the motor test report.</p>	Default: – Min.: 0.00 Hz Max.: 20.00 Hz	139
T1-11 (070B)	Motor Iron Loss	Mtr Iron Loss(W)	<div style="display: flex; justify-content: space-between; align-items: center;"> <span><b>V/f</b></span> <span><b>V/f w PG</b></span> <span>OLV</span> <span>CLV</span> </div> <div style="display: flex; justify-content: space-between; align-items: center; margin-top: 5px;"> <span>OLV/PM</span> <span>AOLV/PM</span> <span>CLV/PM</span> </div> <p>Sets the iron loss for determining the Energy Saving coefficient. The value is set to E2-10 (motor iron loss) set when the power is cycled. If T1-02 is changed, a default value appropriate for the motor capacity that was entered will appear.</p>	Default: 14 W <5> Min.: 0 Max.: 65535	139

- <1> The availability of certain Auto-Tuning methods is determined by the control mode selected for the drive.
- <2> Default setting is determined by parameter A1-02, Control Method Setting.
- <3> Default setting is determined by parameter o2-04, Drive Model Selection.
- <4> Values shown are specific to 200 V class drives. Double the value for 400 V class drives.
- <5> Default setting value differs depending on the motor code value and motor parameter settings.

## ◆ T2: PM Motor Auto-Tuning

No. (Addr. Hex)	Name	LCD Display	Description	Values	Page
T2-01 (0750) <1>	PM Motor Auto-Tuning Mode Selection	PM Tuning Mode 0: Standard Tuning 1: Tune-No Rotate 2: Term Resistance 3: Z-Pulse Tuning 8: Inertia Tuning 9: Tune ASR gain 11: IndVoltConstTun 13: High Freq Tun 14: PM rotation tune	<div style="display: flex; justify-content: space-between; align-items: center;"> <span>V/f</span> <span>V/f w PG</span> <span>OLV</span> <span>CLV</span> </div> <div style="display: flex; justify-content: space-between; align-items: center; margin-top: 5px;"> <span><b>OLV/PM</b></span> <span><b>AOLV/PM</b></span> <span><b>CLV/PM</b></span> </div> <p>0: PM Motor Parameter Settings 1: PM Stationary Auto-Tuning 2: PM Stationary Auto-Tuning for Stator Resistance 3: Z Pulse Offset Tuning 8: Inertia Tuning 9: ASR Gain Auto-Tuning 11: Back EMF Constant Tuning 13: High Frequency Injection Parameter Tuning 14: PM Rotational Auto-Tuning</p> <p><b>Note:</b></p> <ol style="list-style-type: none"> <li>1. Settings 8 and 9 may not be available when gears are between the machine and the motor shaft.</li> <li>2. For special-purpose motors, Yaskawa recommends Back EMF Constant Tuning after performing Stationary Auto-Tuning. Back EMF Constant Tuning rotates the motor to measure the actual induction voltage constants, and allows for more accurate control than Stationary Auto-Tuning alone.</li> </ol>	Default: 0 Range: 0 to 3; 8, 9, 11, 13, 14 <2>	139
T2-02 (0751)	PM Motor Code Selection	PM Mtr Code Sel	<div style="display: flex; justify-content: space-between; align-items: center;"> <span>V/f</span> <span>V/f w PG</span> <span>OLV</span> <span>CLV</span> </div> <div style="display: flex; justify-content: space-between; align-items: center; margin-top: 5px;"> <span><b>OLV/PM</b></span> <span><b>AOLV/PM</b></span> <span><b>CLV/PM</b></span> </div> <p>Enter the motor code when using a Yaskawa PM motor. After entering the motor code, the drive automatically sets parameters T2-03 through T2-09. Set parameters T2-10 to T2-14 according the motor nameplate or the motor test report. When using a motor without a supported motor code or a non-Yaskawa motor, set FFFF and adjust the other T2 parameters according to the motor nameplate or the motor test report.</p>	Default: <2> Min: 0000 Max: FFFF	140



No. (Addr. Hex)	Name	LCD Display	Description	Values	Page
T2-03 (0752)	PM Motor Type	PM Motor Type 0: IPM motor 1: SPM motor	<input type="button" value="V/f"/> <input type="button" value="V/f w PG"/> <input type="button" value="OLV"/> <input type="button" value="CLV"/> <input checked="" type="button" value="OLV/PM"/> <input checked="" type="button" value="AOLV/PM"/> <input checked="" type="button" value="CLV/PM"/>	Default: 1 Range: 0, 1	140
T2-04 (0730)	PM Motor Rated Power	Mtr Rated Power	<input type="button" value="V/f"/> <input type="button" value="V/f w PG"/> <input type="button" value="OLV"/> <input type="button" value="CLV"/> <input checked="" type="button" value="OLV/PM"/> <input checked="" type="button" value="AOLV/PM"/> <input checked="" type="button" value="CLV/PM"/>	Default: <4> Min.: 0.00 kW Max.: 650.00 kW  <b>Note:</b> Use the following formula to convert horsepower into kilowatts: 1HP = 0.746 kW.	140
T2-05 (0732)	PM Motor Rated Voltage	Rated Voltage	<input type="button" value="V/f"/> <input type="button" value="V/f w PG"/> <input type="button" value="OLV"/> <input type="button" value="CLV"/> <input checked="" type="button" value="OLV/PM"/> <input checked="" type="button" value="AOLV/PM"/> <input checked="" type="button" value="CLV/PM"/>	Default: 200.0 V <5> Min.: 0.0 Max.: 255.0 <5>	140
T2-06 (0733)	PM Motor Rated Current	Rated Current	<input type="button" value="V/f"/> <input type="button" value="V/f w PG"/> <input type="button" value="OLV"/> <input type="button" value="CLV"/> <input checked="" type="button" value="OLV/PM"/> <input checked="" type="button" value="AOLV/PM"/> <input checked="" type="button" value="CLV/PM"/>	Default: <4> Min.: 10% of drive rated current Max.: 150% of drive rated current	141
T2-07 (0753)	PM Motor Base Frequency	Base Frequency	<input type="button" value="V/f"/> <input type="button" value="V/f w PG"/> <input type="button" value="OLV"/> <input type="button" value="CLV"/> <input checked="" type="button" value="OLV/PM"/> <input checked="" type="button" value="AOLV/PM"/> <input checked="" type="button" value="CLV/PM"/>	Default: 87.5 Hz Min.: 0.0 Max.: 400.0	141
T2-08 (0734)	Number of PM Motor Poles	Number of Poles	<input type="button" value="V/f"/> <input type="button" value="V/f w PG"/> <input type="button" value="OLV"/> <input type="button" value="CLV"/> <input checked="" type="button" value="OLV/PM"/> <input checked="" type="button" value="AOLV/PM"/> <input checked="" type="button" value="CLV/PM"/>	Default: 6 Min.: 2 Max.: 48	141
T2-09 (0731)	PM Motor Base Speed	Rated Speed	<input type="button" value="V/f"/> <input type="button" value="V/f w PG"/> <input type="button" value="OLV"/> <input type="button" value="CLV"/> <input type="button" value="OLV/PM"/> <input checked="" type="button" value="AOLV/PM"/> <input checked="" type="button" value="CLV/PM"/>	Default: 1750 r/min Min.: 0 Max.: 24000	141
T2-10 (0754)	PM Motor Stator Resistance	Arm Resistance	<input type="button" value="V/f"/> <input type="button" value="V/f w PG"/> <input type="button" value="OLV"/> <input type="button" value="CLV"/> <input checked="" type="button" value="OLV/PM"/> <input checked="" type="button" value="AOLV/PM"/> <input checked="" type="button" value="CLV/PM"/>	Default: <6> Min.: 0.000 Ω Max.: 65.000 Ω	141
T2-11 (0735)	PM Motor d-Axis Inductance	d-Axis Induct	<input type="button" value="V/f"/> <input type="button" value="V/f w PG"/> <input type="button" value="OLV"/> <input type="button" value="CLV"/> <input checked="" type="button" value="OLV/PM"/> <input checked="" type="button" value="AOLV/PM"/> <input checked="" type="button" value="CLV/PM"/>	Default: <6> Min.: 0.00 mH Max.: 600.00 mH	141
T2-12 (0736)	PM Motor q-Axis Inductance	q-Axis Induct	<input type="button" value="V/f"/> <input type="button" value="V/f w PG"/> <input type="button" value="OLV"/> <input type="button" value="CLV"/> <input checked="" type="button" value="OLV/PM"/> <input checked="" type="button" value="AOLV/PM"/> <input checked="" type="button" value="CLV/PM"/>	Default: <6> Min.: 0.00 mH Max.: 600.00 mH	141
T2-13 (0755)	Induced Voltage Constant Unit Selection	Induct Volt Unit 0: mV/RPM 1: mV/(rad/sec)	<input type="button" value="V/f"/> <input type="button" value="V/f w PG"/> <input type="button" value="OLV"/> <input type="button" value="CLV"/> <input checked="" type="button" value="OLV/PM"/> <input checked="" type="button" value="AOLV/PM"/> <input checked="" type="button" value="CLV/PM"/>	Default: 1 Range: 0, 1	141
T2-14 (0737)	PM Motor Induced Voltage Constant (K <sub>e</sub> )	Induct Volt Coef	<input type="button" value="V/f"/> <input type="button" value="V/f w PG"/> <input type="button" value="OLV"/> <input type="button" value="CLV"/> <input checked="" type="button" value="OLV/PM"/> <input checked="" type="button" value="AOLV/PM"/> <input checked="" type="button" value="CLV/PM"/>	Default: <6> Min.: 0.0 Max.: 2000.0	142

## B.14 T: Motor Tuning

No. (Addr. Hex)	Name	LCD Display	Description	Values	Page
T2-15 (0756)	Pull-In Current Level for PM Motor Tuning	Pull-In I Lvl	<div style="display: flex; justify-content: space-between; margin-bottom: 5px;"> <span>V/f</span> <span>V/f w PG</span> <span>OLV</span> <span>CLV</span> </div> <div style="display: flex; justify-content: space-between;"> <span>OLV/PM</span> <span>AOLV/PM</span> <span>CLV/PM</span> </div> <p>Sets the amount of pull-in current to use for Auto-Tuning as a percentage of the motor rated current. Increase this setting for high inertia loads.</p>	Default: 30% Min.: 0 Max.: 120	142
T2-16 (0738)	PG Number of Pulses Per Revolution for PM Motor Tuning	PG Pulses/Rev	<div style="display: flex; justify-content: space-between; margin-bottom: 5px;"> <span>V/f</span> <span>V/f w PG</span> <span>OLV</span> <span>CLV</span> </div> <div style="display: flex; justify-content: space-between;"> <span>OLV/PM</span> <span>AOLV/PM</span> <span>CLV/PM</span> </div> <p>Sets the number of pulses per revolution for the PG being used (pulse generator or encoder).</p>	Default: 1024 ppr Min.: 1 Max.: 15000	142
T2-17 (0757)	Encoder Z-Pulse Offset ( $\Delta\theta$ )	Z-Pulse Offset	<div style="display: flex; justify-content: space-between; margin-bottom: 5px;"> <span>V/f</span> <span>V/f w PG</span> <span>OLV</span> <span>CLV</span> </div> <div style="display: flex; justify-content: space-between;"> <span>OLV/PM</span> <span>AOLV/PM</span> <span>CLV/PM</span> </div> <p>Sets the offset between encoder offset and the rotor magnetic axis.</p>	Default: 0.0 deg Min.: -180.0 Max.: 180.0	142

- <1> The availability of certain Auto-Tuning methods is determined by the control mode selected for the drive.
- <2> The setting range is determined by parameter A1-02, Control Method Selection.
- <3> Default setting is determined by parameters A1-02, Control Method Selection, and o2-04, Drive Model Selection.
- <4> Default setting is determined by parameter o2-04, Drive Model Selection.
- <5> Values shown are specific to 200 V class drives. Double the value for 400 V class drives.
- <6> Default setting is determined by parameter T2-02, PM Motor Code Selection, and the drive capacity.

## ◆ T3: ASR and Inertia Tuning

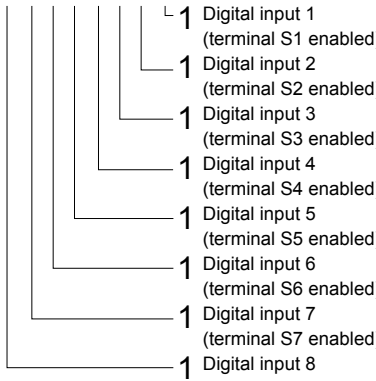
No. (Addr. Hex)	Name	LCD Display	Description	Values	Page
T3-01 (0760)	Inertia Tuning Frequency Reference	Test Signal Freq	<div style="display: flex; justify-content: space-between; margin-bottom: 5px;"> <span>V/f</span> <span>V/f w PG</span> <span>OLV</span> <span>CLV</span> </div> <div style="display: flex; justify-content: space-between;"> <span>OLV/PM</span> <span>AOLV/PM</span> <span>CLV/PM</span> </div> <p>Sets the frequency of the test signal used during Inertia Tuning and ASR Gain Auto-Tuning. Reduce this value if the inertia is large or if a fault occurs.</p>	Default: 3.0 Hz Min.: 0.1 Max.: 20.0	143
T3-02 (0761)	Inertia Tuning Reference Amplitude	Test Signal Ampl	<div style="display: flex; justify-content: space-between; margin-bottom: 5px;"> <span>V/f</span> <span>V/f w PG</span> <span>OLV</span> <span>CLV</span> </div> <div style="display: flex; justify-content: space-between;"> <span>OLV/PM</span> <span>AOLV/PM</span> <span>CLV/PM</span> </div> <p>Sets the amplitude of the test signal used during Inertia and ASR Gain Auto-Tuning. Reduce this value if the inertia is too large or if a fault occurs.</p>	Default: 0.5 rad Min.: 0.1 Max.: 10.0	143
T3-03 (0762)	Motor Inertia	Motor Inertia	<div style="display: flex; justify-content: space-between; margin-bottom: 5px;"> <span>V/f</span> <span>V/f w PG</span> <span>OLV</span> <span>CLV</span> </div> <div style="display: flex; justify-content: space-between;"> <span>OLV/PM</span> <span>AOLV/PM</span> <span>CLV/PM</span> </div> <p>Sets the motor inertia. Default setting is the inertia of a Yaskawa motor.</p>	Default: <2> <3> Min.: 0.0001 kgm <sup>2</sup> Max.: 600.00 kgm <sup>2</sup>	143
T3-04 (0763) <1>	ASR Response Frequency	System Resp Freq	<div style="display: flex; justify-content: space-between; margin-bottom: 5px;"> <span>V/f</span> <span>V/f w PG</span> <span>OLV</span> <span>CLV</span> </div> <div style="display: flex; justify-content: space-between;"> <span>OLV/PM</span> <span>AOLV/PM</span> <span>CLV/PM</span> </div> <p>Sets the response frequency of the mechanical system connected to the motor. Oscillation may result if set too high.</p>	Default: 10.0 Hz Min.: 0.1 Max.: 50.0	143

- <1> Displayed only when performing Inertia Tuning or ASR Gain Auto-Tuning (T1-01 = 8 or T2-01 = 9).
- <2> Default setting is determined by parameter E5-01, Motor Code Selection.
- <3> Default setting is determined by parameters C6-01, Drive Duty Selection, and o2-04, Drive Model Selection.

## B.15 U: Monitors

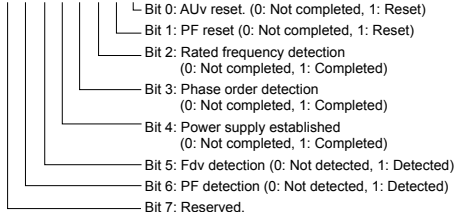
Monitor parameters allow the user to view drive status, fault information, and other data concerning drive operation.

### ◆ U1: Operation Status Monitors

No. (Addr. Hex)	Name		Description	Analog Output Level	Unit
U1-01 (0040)	Frequency Reference	Frequency Ref	<b>All Modes</b> Monitors the frequency reference. Display units are determined by o1-03.	10 V: Max frequency (-10 to +10 V)	0.01 Hz
U1-02 (0041)	Output Frequency	Output Freq	<b>All Modes</b> Displays the output frequency. Display units are determined by o1-03.	10 V: Max frequency (-10 to +10 V)	0.01 Hz
U1-03 (0042)	Output Current	Output Current	<b>All Modes</b> Displays the output current.	10 V: Drive rated current	<4> <5>
U1-04 (0043)	Control Method	Control Method	<b>All Modes</b> 0: V/f Control 1: V/f Control with PG 2: Open Loop Vector Control 3: Closed Loop Vector Control	No signal output available	-
U1-05 (0044)	Motor Speed	Motor Speed	<input type="radio"/> V/f <input checked="" type="radio"/> V/f w PG <input checked="" type="radio"/> OLV <input checked="" type="radio"/> CLV <input type="radio"/> OLV/PM <input checked="" type="radio"/> AOLV/PM <input checked="" type="radio"/> CLV/PM Displays the motor speed feedback. Display units are determined by o1-03.	10 V: Max frequency (-10 to +10 V)	0.01 Hz
U1-06 (0045)	Output Voltage Reference	Output Voltage	<b>All Modes</b> Displays the output voltage.	10 V: 200 Vrms <3>	0.1 Vac
U1-07 (0046)	Control Circuit Voltage	DC Bus Voltage	<b>All Modes</b> Displays the control circuit voltage.	10 V: 400 V <3>	1 Vdc
U1-08 (0047)	Output Power	Output kWatts	<b>All Modes</b> Displays the output power (this value is calculated internally).	10 V: <4> (-10 to +10 V)	<5>
U1-09 (0048)	Torque Reference	Torque Reference	<input type="radio"/> V/f <input type="radio"/> V/f w PG <input checked="" type="radio"/> OLV <input checked="" type="radio"/> CLV <input type="radio"/> OLV/PM <input checked="" type="radio"/> AOLV/PM <input checked="" type="radio"/> CLV/PM Monitors the internal torque reference.	10 V: Motor rated torque (-10 to +10 V)	0.1%
U1-10 (0049)	Input Terminal Status	Input Term Sts	<b>All Modes</b> Displays the input terminal status. U1 - 10=00000000 	No signal output available	-

## B.15 U: Monitors

No. (Addr. Hex)	Name		Description	Analog Output Level	Unit
U1-11 (004A)	Output Terminal Status	Output Term Sts	<p><b>All Modes</b></p> <p>Displays the output terminal status.</p> <p><b>U1 - 11 = 00000000</b></p>	No signal output available	—
U1-12 (004B)	Drive Status	Int Ctl Sts 1	<p><b>All Modes</b></p> <p>Displays the drive operation status.</p> <p><b>U1 - 12 = 00000000</b></p>	No signal output available	—
U1-13 (004E)	Terminal A1 Input Level	Term A1 Level	<p><b>All Modes</b></p> <p>Displays the signal level to analog input terminal A1.</p>	10 V: 100% (-10 to +10 V)	0.1%
U1-14 (004F)	Terminal A2 Input Level	Term A2 Level	<p><b>All Modes</b></p> <p>Displays the signal level to analog input terminal A2.</p>	10 V: 100% (-10 to +10 V)	0.1%
U1-15 (0050)	Terminal A3 Input Level	Term A3 Level	<p><b>All Modes</b></p> <p>Displays the signal level to analog input terminal A3.</p>	10 V: 100% (-10 to +10 V)	0.1%
U1-16 (0053)	Output Frequency after Soft Starter	SFS Output	<p><b>All Modes</b></p> <p>Displays output frequency with ramp time and S-curves. Units determined by o1-03.</p>	10 V: Max frequency (-10 to +10 V)	0.01 Hz
U1-17 (0058)	DI-A3 Input Status	DI Opt Status	<p><b>All Modes</b></p> <p>Displays the reference value input from the DI-A3 option card. Display will appear in hexadecimal as determined by the digital card input selection in F3-01. 3FFFF: Set (1 bit) + sign (1 bit) + 16 bit</p>	No signal output available	—
U1-18 (0061)	oPE Fault Parameter	OPE Error Code	<p><b>All Modes</b></p> <p>Displays the parameter number that caused the oPE02 or oPE08 operation error.</p>	No signal output available	—
U1-19 (0066)	MEMOBUS/Modbus Error Code	Transmit Err	<p><b>All Modes</b></p> <p>Displays the contents of a MEMOBUS/Modbus error.</p> <p><b>U1 - 19 = 00000000</b></p>	No signal output available	—

No. (Addr. Hex)	Name		Description	Analog Output Level	Unit
U1-21 (0077)	AI-A3 Terminal V1 Input Voltage Monitor	AI Opt Ch1 Level	<b>All Modes</b> Displays the input voltage to terminal V1 on analog input card AI-A3.	10 V: 100% (-10 to +10 V)	0.1%
U1-22 (072A)	AI-A3 Terminal V2 Input Voltage Monitor	AI Opt Ch2 Level	<b>All Modes</b> Displays the input voltage to terminal V2 on analog input card AI-A3.	10 V: 100% (-10 to +10 V)	0.1%
U1-23 (072B)	AI-A3 Terminal V3 Input Voltage Monitor	AI Opt Ch3 Level	<b>All Modes</b> Displays the input voltage to terminal V3 on analog input card AI-A3.	10 V: 100% (-10 to +10 V)	0.1%
U1-24 (007D)	Input Pulse Monitor	Term RP Inp Freq	<b>All Modes</b> Displays the frequency to pulse train input terminal RP.	Determined by H6-02	1 Hz
U1-25 (004D)	Software Number (Flash)	CPU 1 SW Number	<b>All Modes</b> FLASH ID	No signal output available	–
U1-26 (005B)	Software No. (ROM)	CPU 2 SW Number	<b>All Modes</b> ROM ID	No signal output available	–
U1-54 (1083)	Drive Input Power Voltage Effective Value	PowerSupply Volt	<b>All Modes</b> Displays the effective value of the drive input power voltage.	200 V class 10 V: 400 V 400 V class 10 V: 800 V	1 V
U1-58 (1087)	Power Supply Frequency	PoweSupply Freq	<b>All Modes</b> Displays the frequency of the drive input power supply.	10 V: Rated frequency	0.1 Hz
U1-72 (1095)	Input Power Supply Information	Power Supply Sts	<b>All Modes</b> Displays information on the input power supply. U1 - 72=00000000 	No signal output available	–

- <1> Display is in the following units:  
 2□0028, 2□0042, and 4□0011 to 4□0027: 0.01 A units  
 2□0054 to 2□0248 and 4□0034 to 4□0414: 0.1 A units
- <2> The values of U1-03, U2-05, and U4-13 are displayed on the digital operator in units of amperes. When those monitors are checked using MEMOBUS/Modbus communications, the monitor values in MEMOBUS/Modbus communications are displayed as: numeric value / 8192 × drive rated current (A) from the condition “192 (maximum value) = drive rated current (A)”
- <3> Values shown are specific to 200 V class drives. Double the value for 400 V class drives.
- <4> In V/f and V/f w/PG control modes, 10 V = default value of E2-11. In OLV, CLV control modes, 10 V = setting value of E2-11 (kW). OLV/PM, AOLV/PM, and CLV/PM control modes, 10 V = setting value of E5-02.
- <5> Display is in the following units:  
 2□0028, 2□0042, and 4□0011 to 4□0027: 0.01 kW units  
 2□0054 to 2□0248 and 4□0034 to 4□0414: 0.1 kW units

## ◆ U2: Fault Trace

No. (Addr. Hex)	Name	LCD Display	Description	Analog Output Level	Unit
U2-01 (0080)	Current Fault	Current Fault	<b>All Modes</b> Displays the current fault.	No signal output available	–
U2-02 (0081)	Previous Fault	Last Fault	<b>All Modes</b> Displays the previous fault.	No signal output available	–

## B.15 U: Monitors

No. (Addr. Hex)	Name	LCD Display	Description	Analog Output Level	Unit
U2-03 (0082)	Frequency Reference at Previous Fault	Frequency Ref	<b>All Modes</b> Displays the frequency reference at the previous fault.	No signal output available	0.01 Hz
U2-04 (0083)	Output Frequency at Previous Fault	Output Freq	<b>All Modes</b> Displays the output frequency at the previous fault.	No signal output available	0.01 Hz
U2-05 (0084)	Output Current at Previous Fault	Output Current	<b>All Modes</b> Displays the output current at the previous fault.	No signal output available	</> <>
U2-06 (0085)	Motor Speed at Previous Fault	Motor Speed	V/f   V/f w PG   OLV   CLV OLV/PM   AOLV/PM   CLV/PM Displays the motor speed at the previous fault.	No signal output available	0.01 Hz
U2-07 (0086)	Output Voltage at Previous Fault	Output Voltage	<b>All Modes</b> Displays the output voltage at the previous fault.	No signal output available	0.1 Vac
U2-08 (0087)	DC Bus Voltage at Previous Fault	DC Bus Voltage	<b>All Modes</b> Displays the DC bus voltage at the previous fault.	No signal output available	1 Vdc
U2-09 (0088)	Output Power at Previous Fault	Output kWatts	<b>All Modes</b> Displays the output power at the previous fault.	No signal output available	0.1 kW
U2-10 (0089)	Torque Reference at Previous Fault	Torque Reference	V/f   V/f w PG   OLV   CLV OLV/PM   AOLV/PM   CLV/PM Displays the torque reference at the previous fault.	No signal output available	0.1%
U2-11 (008A)	Input Terminal Status at Previous Fault	Input Term Sts	<b>All Modes</b> Displays the input terminal status at the previous fault. Displayed as in U1-10.	No signal output available	–
U2-12 (008B)	Output Terminal Status at Previous Fault	Output Term Sts	<b>All Modes</b> Displays the output status at the previous fault. Displayed as in U1-11.	No signal output available	–
U2-13 (008C)	Drive Operation Status at Previous Fault	Inverter Status	<b>All Modes</b> Displays the operation status of the drive at the previous fault. Displayed as in U1-12.	No signal output available	–
U2-14 (008D)	Cumulative Operation Time at Previous Fault	Elapsed time	<b>All Modes</b> Displays the cumulative operation time at the previous fault.	No signal output available	1 h
U2-15 (07E0)	Run Speed after Soft Starter at Previous Fault	SFS Output	<b>All Modes</b> Displays the run speed after a soft start when a previous fault occurred. Displayed as in U1-16.	No signal output available	0.01 Hz
U2-16 (07E1)	Motor q-Axis Current at Previous Fault	Motor Iq Current	V/f   V/f w PG   OLV   CLV OLV/PM   AOLV/PM   CLV/PM Displays the q-axis current for the motor at the previous fault. Displayed as in U6-01.	No signal output available	0.1%
U2-17 (07E2)	Motor d-Axis Current at Previous Fault	Motor Id Current	V/f   V/f w PG   OLV   CLV OLV/PM   AOLV/PM   CLV/PM Displays the d-axis current for the motor at the previous fault. Displayed as in U6-02.	No signal output available	0.1%
U2-19 (07E4)	Rotor Deviation at Previous Fault	d-q Axis Dev Err	V/f   V/f w PG   OLV   CLV OLV/PM   AOLV/PM   CLV/PM Displays the degree of rotor deviation when the most recent fault occurred. Displayed as in U6-10.	No signal output available	0.1 deg
U2-20 (008E)	Heatsink Temperature at Previous Fault	Actual Fin Temp	<b>All Modes</b> Displays the temperature of the heatsink when the most recent fault occurred. Displayed as in U4-08.	No signal output available	1 °C
U2-50 (085C)	Input Power Supply	Power Supply Sts	<b>All Modes</b> Displays the input power supply information at the previous fault. Displayed as in U1-72.	No signal output available	–



No. (Addr. Hex)	Name	LCD Display	Description	Analog Output Level	Unit
U2-54 (0843)	Power Supply Voltage at Previous Fault	PowerSupply Volt	<b>All Modes</b> Displays the power supply voltage at the previous fault. Displayed as in U1-54.	No signal output available	1 V
U2-58 (0847)	Power Supply Frequency at Previous Fault	PowerSupply Freq	<b>All Modes</b> Displays the power supply frequency at the previous fault. Displayed as in U1-58.	No signal output available	0.1 Hz

<1> Display is in the following units:

2□0028, 2□0042, and 4□0011 to 4□0027: 0.01 A units

2□0054 to 2□0248 and 4□0034 to 4□0414: 0.1 A units

<2> The values of U1-03, U2-05, and U4-13 are displayed on the digital operator in units of amperes. When those monitors are checked using MEMOBUS/Modbus communications, the monitor values in MEMOBUS/Modbus communications are displayed as: numeric value / 8192 × drive rated current (A) from the condition “192 (maximum value) = drive rated current (A)”

**Note:** Note: Fault histories are not kept when CPF00, CPF01, CPF06, CPF24, oFA00, oFb00, oFC00, Uv1, Uv2, or Uv3 occur.

### ◆ U3: Fault History

No. (Addr. Hex)	Name	LCD Display	Description	Analog Output Level	Unit
U3-01 to U3-04 (0090 to 0093 (0800 to 0803))	1st to 4th Most Recent Fault	Fault Message □	<b>All Modes</b> Displays the first to the fourth most recent faults.	No signal output available	–
U3-05 to U3-10 (0804 to 0809)	5th to 10th Most Recent Fault	Fault Message □	<b>All Modes</b> Displays the fifth to the tenth most recent faults. After ten faults, data for the oldest fault is deleted. The most recent fault appears in U3-01, with the next most recent fault appearing in U3-02. The data is moved to the next monitor parameter each time a fault occurs.	No signal output available	–
U3-11 to U3-14 (0094 to 0097 (080A to 080D))	Cumulative Operation Time at 1st to 4th Most Recent Fault	Elapsed Time □	<b>All Modes</b> Displays the cumulative operation time when the first to the fourth most recent faults occurred.	No signal output available	1 h
U3-15 to U3-20 (080E to 0813)	Cumulative Operation Time at 5th to 10th Most Recent Fault	Elapsed Time □	<b>All Modes</b> Displays the cumulative operation time when the fifth to the tenth most recent faults occurred.	No signal output available	1 h

**Note:** Note: Fault histories are not kept when CPF00, CPF01, CPF06, CPF24, oFA00, oFb00, oFC00, Uv1, Uv2, or Uv3 occur.

### ◆ U4: Maintenance Monitors

No. (Addr. Hex)	Name	LCD Display	Description	Analog Output Level	Unit
U4-01 (004C) </>	Cumulative Operation Time	Drv Elapsed Time	<b>All Modes</b> Displays the cumulative operation time of the drive. The value for the cumulative operation time counter can be reset in parameter o4-01. Use parameter o4-02 to determine if the operation time should start as soon as the power is switched on or only while the Run command is present. The maximum number displayed is 99999, after which the value is reset to 0.	No signal output available	1 h
U4-02 (0075)	Number of Run Commands	RUN Cmd Counter	<b>All Modes</b> Displays the number of times the Run command is entered. Reset the number of Run commands using parameter o4-13. This value will reset to 0 and start counting again after reaching 65535.	No signal output available	1 Time

## B.15 U: Monitors

No. (Addr. Hex)	Name	LCD Display	Description	Analog Output Level	Unit
U4-03 (0067) <>	Cooling Fan Operation Time	Fan Elapsed Time	<b>All Modes</b> Displays the cumulative operation time of the cooling fan. The default value for the fan operation time is reset in parameter o4-03. This value will reset to 0 and start counting again after reaching 99999.	No signal output available	1 h
U4-04 (007E)	Cooling Fan Maintenance	Fan Life Mon	<b>All Modes</b> Displays main cooling fan usage time as a percentage of its expected performance life. Parameter o4-03 can be used to reset this monitor. Replace the fan when this monitor reaches 90%.	No signal output available	1%
U4-05 (007C)	Capacitor Maintenance	Cap Life Mon	<b>All Modes</b> Displays control circuit capacitor usage time as a percentage of their expected performance life. Parameter o4-05 can be used to reset this monitor. Replace the capacitor when this monitor reaches 90%.	No signal output available	1%
U4-06 (07D6)	Soft Charge Bypass Relay Maintenance	ChgCirc Life Mon	<b>All Modes</b> Displays the soft charge bypass relay maintenance time as a percentage of its estimated performance life. Parameter o4-07 can be used to reset this monitor. Replace the soft charge bypass relay when this monitor reaches 90%.	No signal output available	1%
U4-08 (0068)	Heatsink Temperature	Heatsink Temp	<b>All Modes</b> Displays the heatsink temperature.	10 V: 100 °C	1 °C
U4-09 (005E)	LED Check	LED Oper Check	<b>All Modes</b> Lights all segments of the LED to verify that the display is working properly.	No signal output available	–
U4-13 (07CF)	Peak Hold Current	Current PeakHold	<b>All Modes</b> Displays the highest current value that occurred during run.	No signal output available	0.01 A <> <>
U4-14 (07D0)	Peak Hold Output Frequency	Freq@ I PeakHold	<b>All Modes</b> Displays the output frequency when the current value shown in U4-13 occurred.	No signal output available	0.01 Hz
U4-16 (07D8)	Motor Overload Estimate (oL1)	Motor OL1 Level	<b>All Modes</b> Shows the value of the motor overload detection accumulator. 100% is equal to the oL1 detection level.	10 V: 100%	0.1%
U4-18 (07DA)	Frequency Reference Source Selection	Reference Source	<b>All Modes</b> Displays the source for the frequency reference as XY-nn. <b>X: indicates which reference is used:</b> 1 = Reference 1 (b1-01) 2 = Reference 2 (b1-15) <b>Y-nn: indicates the reference source</b> 0-01 = Digital operator 1-00 = Analog 1-01 = Analog (terminal A1) 1-02 = Analog (terminal A2) 1-03 = Analog (terminal A3) 2-02 to 17 = Multi-step speed (d1-02 to 17) 3-01 = MEMOBUS/Modbus communications 4-01 = Communication option card 5-01 = Pulse input 7-01 = DWEZ 9-01 = Up/Down Command	No signal output available	–
U4-19 (07DB)	Frequency Reference from MEMOBUS/Modbus Comm.	MEMOBUS Freq Ref	<b>All Modes</b> Displays the frequency reference provided by MEMOBUS/Modbus (decimal).	No signal output available	0.01%
U4-20 (07DC)	Option Frequency Reference	Option Freq Ref	<b>All Modes</b> Displays the frequency reference input by an option card (decimal).	No signal output available	–



No. (Addr. Hex)	Name	LCD Display	Description	Analog Output Level	Unit
U4-21 (07DD)	Run Command Source Selection	Run Cmd Source	<p><b>All Modes</b></p> <p>Displays the source for the Run command as XY-nn.  <b>X: Indicates which Run source is used:</b>            1 = Reference 1 (b1-02)            2 = Reference 2 (b1-16)  <b>Y: Input power supply data</b>            0 = Digital operator            1 = External terminals            3 = MEMOBUS/Modbus communications            4 = Communication option card            7 = DWEZ  <b>nn: Run command limit status data</b>            00: No limit status.            01: Run command was left on when stopped in the PRG mode            02: Run command was left on when switching from LOCAL to REMOTE operation            03: Waiting for soft charge bypass contactor after power up (Uv or Uv1 flashes after 10 s)            04: Waiting for “Run command prohibited” time period to end            05: Fast Stop (digital input, digital operator)            06: b1-17 (Run command given at power-up)            07: During baseblock while coast to stop with timer            08: Frequency reference is below minimal reference during baseblock            09: Waiting for Enter command</p>	No signal output available	–
U4-22 (07DE)	MEMOBUS/Modbus Communications Reference	MEMOBUS Ref Reg	<p><b>All Modes</b></p> <p>Displays the drive control data set by MEMOBUS/Modbus communications register no. 0001H as a four-digit hexadecimal number.</p>	No signal output available	–
U4-23 (07DF)	Communication Option Card Reference	Option Ref Reg	<p><b>All Modes</b></p> <p>Displays drive control data set by an option card as a four-digit hexadecimal number.</p>	No signal output available	–

- <1> The MEMOBUS/Modbus communications data is in 10 h units. If data in 1 h units are also required, refer to register number 0099H.
- <2> The MEMOBUS/Modbus communications data is in 10 h units. If data in 1 h units are also required, refer to register number 009BH.
- <3> Display is in the following units:  
 2□0028, 2□0042, and 4□0011 to 4□0027: 0.01 A units  
 2□0054 to 2□0248 and 4□0034 to 4□0414: 0.1 A units
- <4> The values of U1-03, U2-05, and U4-13 are displayed on the digital operator in units of amperes. When those monitors are checked using MEMOBUS/Modbus communications, the monitor values in MEMOBUS/Modbus communications are displayed as: numeric value / 8192 × drive rated current (A) from the condition “192 (maximum value) = drive rated current (A)”
- <5> When reading the value of this monitor via MEMOBUS/Modbus a value of 8192 is equal to 100% of the drive rated output current.

## ◆ U5: PID Monitors

No. (Addr. Hex)	Name	LCD Display	Description	Analog Output Level	Unit
U5-01 (0057)	PID Feedback	PID Feedback 1	<p><b>All Modes</b></p> <p>Displays the PID feedback value.</p>	10 V: 100% (-10 to +10 V)	0.01%
U5-02 (0063)	PID Input	PID Input	<p><b>All Modes</b></p> <p>Displays the amount of PID input (deviation between PID setpoint and feedback).</p>	10 V: 100% (-10 to +10 V)	0.01%
U5-03 (0064)	PID Output	PID Output	<p><b>All Modes</b></p> <p>Displays PID control output.</p>	10 V: 100% (-10 to +10 V)	0.01%
U5-04 (0065)	PID Setpoint	PID Setpoint	<p><b>All Modes</b></p> <p>Displays the PID setpoint.</p>	10 V: 100% (-10 to +10 V)	0.01%

## B.15 U: Monitors

No. (Addr. Hex)	Name	LCD Display	Description	Analog Output Level	Unit
U5-05 (07D2)	PID Differential Feedback	PID Feedback 2	<b>All Modes</b> Displays the 2nd PID feedback value if differential feedback is used (H3-□□ = 16).	10 V: 100% (-10 to +10 V)	0.01%
U5-06 (07D3)	PID Adjusted Feedback	PID Diff Fdbk	<b>All Modes</b> Displays the difference of both feedback values if differential feedback is used (U5-01 - U5-05). If differential feedback is not used, then U5-01 and U5-06 will be the same.	10 V: 100% (-10 to +10 V)	0.01%
U5-21 (0872)	Automatically Calculated Energy Saving Coefficient Ki Value	Ki Auto Cal Val	<input type="button" value="V/f"/> <input type="button" value="V/f w PG"/> <input type="button" value="OLV"/> <input type="button" value="CLV"/> <input type="button" value="OLV/PM"/> <input checked="" type="button" value="AOLV/PM"/> <input checked="" type="button" value="CLV/PM"/> Displays the energy saving coefficient Ki value.	No signal output available	0.01
U5-22 (0873)	Automatically Calculated Energy Saving Coefficient Kt Value	Kt Auto Cal Val	<input type="button" value="V/f"/> <input type="button" value="V/f w PG"/> <input type="button" value="OLV"/> <input type="button" value="CLV"/> <input type="button" value="OLV/PM"/> <input checked="" type="button" value="AOLV/PM"/> <input checked="" type="button" value="CLV/PM"/> Displays the energy saving coefficient Kt value.	No signal output available	0.01

## ◆ U6: Operation Status Monitors

No. (Addr. Hex)	Name	LCD Display	Description	Analog Output Level	Unit
U6-01 (0051)	Motor Secondary Current (Iq)	Mot SEC Current	<b>All Modes</b> Displays the value of the motor secondary current (Iq). Motor rated secondary current is 100%.	10 V: Motor secondary rated current (-10 to +10 V)	0.1%
U6-02 (0052)	Motor Excitation Current (Id)	Mot EXC Current	<input type="button" value="V/f"/> <input type="button" value="V/f w PG"/> <input checked="" type="button" value="OLV"/> <input checked="" type="button" value="CLV"/> <input checked="" type="button" value="OLV/PM"/> <input checked="" type="button" value="AOLV/PM"/> <input checked="" type="button" value="CLV/PM"/> Displays the value calculated for the motor excitation current (Id). Motor rated secondary current is 100%.	10 V: Motor secondary rated current (-10 to +10 V)	0.1%
U6-03 (0054)	ASR Input	ASR Input	<input type="button" value="V/f"/> <input checked="" type="button" value="V/f w PG"/> <input type="button" value="OLV"/> <input checked="" type="button" value="CLV"/> <input type="button" value="OLV/PM"/> <input checked="" type="button" value="AOLV/PM"/> <input checked="" type="button" value="CLV/PM"/> Displays the input and output values when using ASR control.	10 V: Max frequency (-10 to +10 V)	0.01%
U6-04 (0055)	ASR Output	ASR Output		10 V: Motor secondary rated current (-10 to +10 V)	
U6-05 (0059)	Output Voltage Reference (Vq)	Voltage Ref (Vq)	<input type="button" value="V/f"/> <input type="button" value="V/f w PG"/> <input checked="" type="button" value="OLV"/> <input checked="" type="button" value="CLV"/> <input checked="" type="button" value="OLV/PM"/> <input checked="" type="button" value="AOLV/PM"/> <input checked="" type="button" value="CLV/PM"/> Output voltage reference (Vq) for the q-Axis.	10 V: 200 Vrms (-10 to +10 V) <>	0.1 Vac
U6-06 (005A)	Output Voltage Reference (Vd)	Voltage Ref (Vd)	<input type="button" value="V/f"/> <input type="button" value="V/f w PG"/> <input checked="" type="button" value="OLV"/> <input checked="" type="button" value="CLV"/> <input checked="" type="button" value="OLV/PM"/> <input checked="" type="button" value="AOLV/PM"/> <input checked="" type="button" value="CLV/PM"/> Output voltage reference (Vd) for the d-Axis.	10 V: 200 Vrms (-10 to +10 V) <>	0.1 Vac
U6-07 (005F)	q-Axis ACR Output	ACR(q) Output	<input type="button" value="V/f"/> <input type="button" value="V/f w PG"/> <input checked="" type="button" value="OLV"/> <input checked="" type="button" value="CLV"/> <input type="button" value="OLV/PM"/> <input checked="" type="button" value="AOLV/PM"/> <input checked="" type="button" value="CLV/PM"/> Displays the output value for current control relative to motor secondary current (q-Axis).	10 V: 200 Vrms (-10 to +10 V) <>	0.1%
U6-08 (0060)	d-Axis ACR Output	ACR(d) Output	<input type="button" value="V/f"/> <input type="button" value="V/f w PG"/> <input checked="" type="button" value="OLV"/> <input checked="" type="button" value="CLV"/> <input type="button" value="OLV/PM"/> <input checked="" type="button" value="AOLV/PM"/> <input checked="" type="button" value="CLV/PM"/> Displays the output value for current control relative to motor secondary current (d-Axis).	110 V: 200 Vrms (-10 to +10 V) <>	0.1%
U6-09 (07C0)	Advance Phase Compensation ( $\Delta\theta$ )	d-q Axis Comp	<input type="button" value="V/f"/> <input type="button" value="V/f w PG"/> <input type="button" value="OLV"/> <input type="button" value="CLV"/> <input type="button" value="OLV/PM"/> <input checked="" type="button" value="AOLV/PM"/> <input type="button" value="CLV/PM"/> Displays the degree of forward phase correction after calculating the deviation of $\Delta\theta_{cmp}$ .	10 V: 180 deg -10 V: -180 deg (-10 to +10 V)	0.1 deg
U6-10 (07C1)	Control Axis Deviation ( $\Delta\theta$ )	d-q Axis Devt	<input type="button" value="V/f"/> <input type="button" value="V/f w PG"/> <input type="button" value="OLV"/> <input type="button" value="CLV"/> <input type="button" value="OLV/PM"/> <input checked="" type="button" value="AOLV/PM"/> <input type="button" value="CLV/PM"/> Displays the amount of deviation between the actual d-Axis / q-Axis and the $\gamma$ -Axis / $\delta$ -Axis used for motor control.	10 V: 180 deg -10 V: -180 deg (-10 to +10 V)	0.1 deg

No. (Addr. Hex)	Name	LCD Display	Description	Analog Output Level	Unit
U6-13 (07CA)	Flux Position Detection (sensor)	FluxPosition Fb	<div style="display: flex; justify-content: space-between; font-size: small;"> <span>V/f</span> <span>V/f w PG</span> <span>OLV</span> <span>CLV</span> </div> <div style="display: flex; justify-content: space-between; font-size: small;"> <span>OLV/PM</span> <span>AOLV/PM</span> <span style="background-color: black; color: white; border-radius: 5px; padding: 2px;">CLV/PM</span> </div> Monitors the value of the flux position detection (sensor).	10 V: 180 deg -10 V: -180 deg (-10 to +10 V)	0.1 deg
U6-14 (07CB)	Flux Position Estimation (observer)	FluxPosition Est	<div style="display: flex; justify-content: space-between; font-size: small;"> <span>V/f</span> <span>V/f w PG</span> <span>OLV</span> <span>CLV</span> </div> <div style="display: flex; justify-content: space-between; font-size: small;"> <span>OLV/PM</span> <span style="background-color: black; color: white; border-radius: 5px; padding: 2px;">AOLV/PM</span> <span>CLV/PM</span> </div> Monitors the value of the flux position estimation.	10 V: 180 deg -10 V: -180 deg (-10 to +10 V)	0.1 deg
U6-18 (07CD)	Speed Detection PG1 Counter	PG1 CounterValue	<div style="background-color: black; color: white; border-radius: 5px; padding: 2px; font-size: small;">All Modes</div> Monitors the number of pulses for speed detection (PG1).	10 V: 65536	1 pulse
U6-19 (07E5)	Speed Detection PG2 Counter	PG2 CounterValue	<div style="background-color: black; color: white; border-radius: 5px; padding: 2px; font-size: small;">All Modes</div> Monitors the number of pulses for speed detection (PG2).	10 V: 65536	1 pulse
U6-20 (07D4)	Frequency Reference Bias (Up/Down 2)	Up/Dn 2 Bias Val	<div style="background-color: black; color: white; border-radius: 5px; padding: 2px; font-size: small;">All Modes</div> Displays the bias value used to adjust the frequency reference.	10 V: Max frequency	0.1%
U6-21 (07D5)	Offset Frequency	Offset Frequency	<div style="background-color: black; color: white; border-radius: 5px; padding: 2px; font-size: small;">All Modes</div> Displays the total value of the offset frequencies d7-01, d7-02 and d7-03 selected with digital inputs 44 to 46.	10 V: Max frequency	0.1%
U6-22 (0062)	Zero Servo Pulse Movement	Zero Servo Pulse	<div style="display: flex; justify-content: space-between; font-size: small;"> <span>V/f</span> <span>V/f w PG</span> <span>OLV</span> <span style="background-color: black; color: white; border-radius: 5px; padding: 2px;">CLV</span> </div> <div style="display: flex; justify-content: space-between; font-size: small;"> <span>OLV/PM</span> <span>AOLV/PM</span> <span style="background-color: black; color: white; border-radius: 5px; padding: 2px;">CLV/PM</span> </div> Displays how far the rotor has moved from its last position in PG pulses (multiplied by 4).	10 V: No. of pulses per revolution (-10 to +10 V)	1 pulse
U6-25 (006B)	Feedback Control Output	ASR Out w/o Fil	<div style="display: flex; justify-content: space-between; font-size: small;"> <span>V/f</span> <span>V/f w PG</span> <span>OLV</span> <span style="background-color: black; color: white; border-radius: 5px; padding: 2px;">CLV</span> </div> <div style="display: flex; justify-content: space-between; font-size: small;"> <span>OLV/PM</span> <span>AOLV/PM</span> <span style="background-color: black; color: white; border-radius: 5px; padding: 2px;">CLV/PM</span> </div> Output monitor for the ASR speed loop.	10 V: Motor secondary rated current (-10 to +10 V)	0.01%
U6-26 (006C)	Feed Forward Control Output	FF Cont Output	<div style="display: flex; justify-content: space-between; font-size: small;"> <span>V/f</span> <span>V/f w PG</span> <span>OLV</span> <span style="background-color: black; color: white; border-radius: 5px; padding: 2px;">CLV</span> </div> <div style="display: flex; justify-content: space-between; font-size: small;"> <span>OLV/PM</span> <span>AOLV/PM</span> <span style="background-color: black; color: white; border-radius: 5px; padding: 2px;">CLV/PM</span> </div> Output monitor for Feed Forward control.	10 V: Motor secondary rated current (-10 to +10 V)	0.01%
U6-57 (07C4)	Integrated Current Deviation during Judging Polarity	PoleDis IdDifVal	<div style="display: flex; justify-content: space-between; font-size: small;"> <span>V/f</span> <span>V/f w PG</span> <span>OLV</span> <span>CLV</span> </div> <div style="display: flex; justify-content: space-between; font-size: small;"> <span>OLV/PM</span> <span style="background-color: black; color: white; border-radius: 5px; padding: 2px;">AOLV/PM</span> <span style="background-color: black; color: white; border-radius: 5px; padding: 2px;">CLV/PM</span> </div> Displays the deviation from the integrated current when judging motor polarity. If this value is lower than 819, then increase the value set to n8-84. The value 8192 is equivalent to the motor rated current.	No signal output available	1
U6-80 to U6-83 (07B0H to 07B3)	Online IP Address	-	<div style="background-color: black; color: white; border-radius: 5px; padding: 2px; font-size: small;">All Modes</div> IP Address currently available; U6-80 is the most significant octet.	No signal output available	-
U6-84 to U6-87 (07B4 to 07B7)	Online Subnet	-	<div style="background-color: black; color: white; border-radius: 5px; padding: 2px; font-size: small;">All Modes</div> Subnet currently available; U6-84 is the most significant octet.	No signal output available	-
U6-88 to U6-91 (07B8 to 07F1)	Online Gateway	-	<div style="background-color: black; color: white; border-radius: 5px; padding: 2px; font-size: small;">All Modes</div> Gateway currently available; U6-88 is the most significant octet.	No signal output available	-
U6-92 (07F2)	Online Speed	-	<div style="background-color: black; color: white; border-radius: 5px; padding: 2px; font-size: small;">All Modes</div> Link Speed	10: 10 Mbps 100: 100 Mbps	-
U6-93 (07F3)	Online Duplex	-	<div style="background-color: black; color: white; border-radius: 5px; padding: 2px; font-size: small;">All Modes</div> Duplex Setting	0: Half 1: Full	-
U6-98 (07F8)	First Fault	-	<div style="background-color: black; color: white; border-radius: 5px; padding: 2px; font-size: small;">All Modes</div> First Option Fault	-	-
U6-99 (07F9)	Current Fault	-	<div style="background-color: black; color: white; border-radius: 5px; padding: 2px; font-size: small;">All Modes</div> Current Option Fault	-	-

<1> Values shown are specific to 200 V class drives. Double the values for 400 V class drives.

◆ U8: DriveWorksEZ Monitors

No. (Addr. Hex)	Name	LCD Display	Description	Analog Output Level	Unit
U8-01 to U8-10 (1950 to 1959)	DriveWorksEZ Custom Monitor 1 to 10	–	<b>All Modes</b> DriveWorksEZ Custom Monitor 1 to 10	10 V: 100%	0.01%
U8-11 to U8-13 (195A to 195C)	DriveWorksEZ Version Control Monitor 1 to 3	–	<b>All Modes</b> DriveWorksEZ Version Control Monitor 1 to 3	No signal output available	–

◆ U9: Power Monitors

No. (Addr. Hex)	Name	LCD Display	Description	Analog Output Level	Unit
U9-01 (0820)	Electric Power (GWh)	GWh Consumed	<b>All Modes</b> Shows the total amount of electric power. 000 000 000 kW 	No signal output available	1 GWh
U9-02 (0821)	Electric Power (MWh)	MWh Consumed		No signal output available	1 MWh
U9-03 (0822)	Electric Power (kWh)	kWh Consumed		No signal output available	1 kWh
U9-04 (0823)	Regenerative Power (GWh)	GWh Produced	<b>All Modes</b> Shows the total amount of regenerated power. 000 000 000 kW 	No signal output available	1 GWh
U9-05 (0824)	Regenerative Power (MWh)	MWh Produced		No signal output available	1 MWh
U9-06 (0825)	Regenerative Power (kWh)	kWh Produced		No signal output available	1 kWh
U9-07 to U9-10 (0826 to 0829)	Electric Power Rates 1 to 4	Consumed □ (\$)	<b>All Modes</b> These parameters show the electric power rate in Power Unit Price (o4-19) that is calculated from the total electrical power consumptions in U9-01 to U9-03. U9-10: Digit 1 to digit 3 U9-09: Digit 4 to digit 6 U9-08: Digit 7 to digit 9 U9-07: Digit 10 to digit 12 000 000 000 000  The unit price is set in o4-19, and U9-07 to U9-10 are U9-01 to U9-03 x o4-19.	No signal output available	–



## B.16 Control Mode Dependent Parameter Default Values

The tables below list parameters that depend on the control mode selection (A1-02 for motor 1, E3-01 for motor 2). Changing the control mode initializes these parameters to the values shown here.

### ◆ A1-02 (Motor 1 Control Mode) Dependent Parameters

Table B.3 A1-02 (Motor 1 Control Mode) Dependent Parameters and Default Values

No.	Name	Setting Range	Resolution	Control Modes (A1-02)			
				V/f (0)	V/f w/PG (1)	OLV (2)	CLV (3)
b1-24	Commercial Power Switching Selection	0, 1	–	0	0	0	0
b2-01	DC Injection Braking Start Frequency	0.0 to 10.0	0.1 Hz	0.5	0.5	0.5	0.5
b2-04	DC Injection Braking Time at Stop	0.00 to 10.00	0.01 s	0.50	0.50	0.50	0.50
b3-01	Speed Search Selection at Start	0, 1	–	0	1	0	1
b3-08	Current Control Gain during Speed Search (Speed Estimation Type)	0.00 to 6.00	–	</>	</>	</>	</>
b3-14	Bi-Directional Speed Search Selection	0, 1	1	1	0	1	1
b3-24	Speed Search Method Selection	1, 2	–	2	1	2	2
b5-15	PID Sleep Function Start Level	0.0 to 400.0	0.1	0.0 Hz	0.0 Hz	0.0 Hz	0.0 Hz
b6-01	Dwell Reference at Start	0.0 to 400.0	0.1	0.0 Hz	0.0 Hz	0.0 Hz	0.0 Hz
b6-03	Dwell Reference at Stop	0.0 to 400.0	0.1	0.0 Hz	0.0 Hz	0.0 Hz	0.0 Hz
b8-01	Energy Saving Control Selection	0, 1	–	0	0	0	0
b8-02	Energy Saving Gain	0.0 to 10.0	0.1	–	–	0.7	1.0
b8-03	Energy Saving Control Filter Time Constant	0.00 to 10.00	0.01 s	–	–	0.50 </>	0.01 </>
C1-11	Accel/Decel Time Switching Frequency	0.0 to 400.0	0.1	0.0 Hz	0.0 Hz	0.0 Hz	0.0 Hz
C2-01	S-Curve Time at Acceleration Start	0.00 to 10.00	0.01 s	0.20	0.20	0.20	0.20
C3-01	Slip Compensation Gain	0.0 to 2.5	0.1	0.0	–	1.0	1.0
C3-02	Slip Compensation Primary Delay Time	0 to 10000	1 ms	2000	–	200	–
C4-01	Torque Compensation Gain	0.00 to 2.50	0.01	1.00	1.00	1.00	–
C4-02	Torque Compensation Primary Delay Time	0 to 10000	1 ms	200	200	20	–
C5-01	ASR Proportional Gain 1	0.00 to 300.00	0.01	–	0.20	–	20.00
C5-02	ASR Integral Time 1	0.000 to 10.000	0.001 s	–	0.200	–	0.500
C5-03	ASR Proportional Gain 2	0.00 to 300.00	0.01	–	0.02	–	20.00
C5-04	ASR Integral Time 2	0.000 to 10.000	0.001 s	–	0.050	–	0.500
C5-06	ASR Primary Delay Time Constant	0.000 to 0.500	0.001 s	–	–	–	0.004
C5-07	ASR Gain Switching Frequency	0.0 to 400.0	0.1	–	–	–	0.0 Hz
C6-02	Carrier Frequency Selection	1 to 4; F	–	1 </>	1 </>	1 </>	1
d3-01	Jump Frequency 1	0.0 to 400.0	0.1	0.0 Hz	0.0 Hz	0.0 Hz	0.0 Hz
d3-02	Jump Frequency 2	0.0 to 400.0	0.1	0.0 Hz	0.0 Hz	0.0 Hz	0.0 Hz
d3-03	Jump Frequency 3	0.0 to 400.0	0.1	0.0 Hz	0.0 Hz	0.0 Hz	0.0 Hz
d3-04	Jump Frequency Width	0.0 to 20.0	0.1	1.0 Hz	1.0 Hz	1.0 Hz	1.0 Hz
d5-02	Torque Reference Delay Time	0 to 1000	1 ms	–	–	–	0
E1-04	Maximum Output Frequency	40.0 to 400.0	0.1 Hz	60.0	60.0	60.0	60.0
E1-05	Maximum Voltage	0.0 to 255.0 </>	0.1 V	575 </>	575 </>	575	575
E1-06	Base Frequency	0.0 to 400.0	0.1 Hz	60.0	60.0	60.0	60.0
E1-07	Middle Output Frequency	0.0 to 400.0	0.1 Hz	3.0	3.0	3.0	3.0
E1-08	Middle Output Frequency Voltage	0.0 to 255.0 </>	0.1 V	15.0 </>	15.0 </>	15.0	15.0
E1-09	Minimum Output Frequency	0.0 to 400.0	0.1 Hz	1.5	1.5	0.5	0.0
E1-10	Minimum Output Frequency Voltage	0.0 to 255.0 </>	0.1 V	9.0	9.0	2.0	0.0
F1-01	PG 1 Pulses Per Revolution	0 to 60000	1 ppr	–	600	–	600
F1-05	PG 1 Rotation Selection	0, 1	–	–	0	–	0
F1-09	Overspeed Detection Delay Time	0.0 to 2.0	0.1 s	–	1.0	–	0.0
L1-01	Motor Overload Protection Selection	0 to 6	–	1	1	1	1

## B.16 Control Mode Dependent Parameter Default Values

No.	Name	Setting Range	Resolution	Control Modes (A1-02)			
				V/f (0)	V/f w/PG (1)	OLV (2)	CLV (3)
L3-36	Vibration Suppression Gain during Acceleration (with Current Limit)	0.0 to 100.0	–	10.0	10.0	20.0	–
L3-41	Vibration Suppression Gain during Deceleration (with Current Limit)	0.0 to 100.0	–	10.0	10.0	20.0	–
L4-01	Speed Agree Detection Level	0.0 to 400.0	0.1	0.0 Hz	0.0 Hz	0.0 Hz	0.0 Hz
L4-02	Speed Agree Detection Width	0.0 to 20.0	0.1 Hz	2.0	2.0	2.0	2.0
L4-03	Speed Agree Detection Level (+/-)	-400.0 to 400.0	0.1	0.0 Hz	0.0 Hz	0.0 Hz	0.0 Hz
L4-04	Speed Agree Detection Width (+/-)	0.0 to 20.0	0.1 Hz	2.0	2.0	2.0	2.0
L8-38	Carrier Frequency Reduction Selection	0 to 2	–	<>	<>	<>	<>
L8-40	Carrier Frequency Reduction Off Delay Time	0.00 to 2.00	0.01 s	0.50	0.50	0.50	0.50
o1-03	Digital Operator Display Selection	0 to 3	–	0	0	0	0
o1-04	V/f Pattern Display Unit	0, 1	–	—	—	—	0

<1> Default setting value is determined by parameter o2-04, Drive Model Selection.

<2> This setting value depends on rated output current in models 2□0248 and 4□0165 to 4□0414: 2.00 in Open Loop Vector Control, 0.05 in Closed Loop Vector Control.

<3> Default setting is dependent on parameter C6-01, Drive Duty Selection.

<4> Values shown are specific to 200 V class drives. Double the values for 400 V class drives.

<5> This setting value depends on rated output current and V/f pattern selection in parameter E1-03.

**Table B.4 A1-02 (Motor 1 Control Mode) Dependent Parameters and Default Values**

No.	Name	Setting Range	Resolution	Control Modes (A1-02)		
				OLV/PM (5)	AOLV/PM (6)	CLV/PM (7)
b1-24	Commercial Power Switching Selection	0, 1	–	0	0	0
b2-01	DC Injection Braking Start Frequency	0.0 to 10.0	0.1 Hz	0.5 Hz	1.0% <>	0.5% <>
b2-04	DC Injection Braking Time at Stop	0.00 to 10.00	0.01 s	0.00	0.00	0.00
b3-01	Speed Search Selection at Start	0, 1	–	0	0	1
b3-08	Current Control Gain during Speed Search (Speed Estimation Type)	0.00 to 6.00	–	0.3	0.3	0.3
b3-14	Bi-Directional Speed Search Selection	0, 1	–	1	1	1
b3-24	Speed Search Method Selection	1, 2	–	2	2	2
b5-15	PID Sleep Function Start Level	0.0 to 400.0 Hz <>	0.1	0.0 Hz	0.0%	0.0%
b6-01	Dwell Reference at Start	0.0 to 400.0 Hz <>	0.1	0.0 Hz	0.0%	0.0%
b6-03	Dwell Reference at Stop	0.0 to 400.0 Hz <>	0.1	0.0 Hz	0.0%	0.0%
b8-01	Energy Saving Control Selection	0, 1	–	–	1	1
b8-02	Energy Saving Gain	0.0 to 10.0	0.1	–	–	–
b8-03	Energy Saving Control Filter Time Constant	0.00 to 10.00	0.01 s	–	–	–
C1-11	Accel/Decel Time Switching Frequency	0.0 to 400.0 Hz <>	0.1	0.0 Hz	0.0%	0.0%
C2-01	S-Curve Time at Acceleration Start	0.00 to 10.00	0.01 s	1.00	0.20	0.20
C3-01	Slip Compensation Gain	0.0 to 2.5	0.1	–	–	–
C3-02	Slip Compensation Primary Delay Time	0 to 10000	1 ms	–	–	–
C4-01	Torque Compensation Gain	0.00 to 2.50	0.01	0.00	–	–
C4-02	Torque Compensation Primary Delay Time	0 to 10000	1 ms	100	–	–
C5-01	ASR Proportional Gain 1	0.00 to 300.00	0.01	–	10.00	20.00
C5-02	ASR Integral Time 1	0.000 to 10.000	0.001 s	–	0.500	0.500
C5-03	ASR Proportional Gain 2	0.00 to 300.00	0.01	–	10.00	20.00
C5-04	ASR Integral Time 2	0.000 to 10.000	0.001 s	–	0.500	0.500
C5-06	ASR Primary Delay Time Constant	0.000 to 0.500	0.001 s	–	0.016	0.004
C5-07	ASR Gain Switching Frequency	0.0 to 400.0 Hz <>	0.1	0.0 Hz	0.0%	0.0%
C6-02	Carrier Frequency Selection	1 to 4; F	–	2	2	2
d3-01	Jump Frequency 1	0.0 to 400.0 Hz <>	0.1	0.0 Hz	0.0%	0.0%
d3-02	Jump Frequency 2	0.0 to 400.0 Hz <>	0.1	0.0 Hz	0.0%	0.0%



## B.16 Control Mode Dependent Parameter Default Values

No.	Name	Setting Range	Resolution	Control Modes (A1-02)		
				OLV/PM (5)	AOLV/PM (6)	CLV/PM (7)
d3-03	Jump Frequency 3	0.0 to 400.0 Hz <2>	0.1	0.0 Hz	0.0%	0.0%
d3-04	Jump Frequency Width	0.0 to 20.0 <3>	0.1	1.0 Hz	1.0%	1.0%
d5-02	Torque Reference Delay Time	0 to 1000	1 ms	–	–	–
E1-04	Maximum Output Frequency	40.0 to 400.0	0.1 Hz	<4>	<4>	<4>
E1-05	Maximum Voltage	0.0 to 377.1 <5>	0.1 V	<4>	<4>	<4>
E1-06	Base Frequency	0.0 to 400.0	0.1 Hz	<4>	<4>	<4>
E1-07	Middle Output Frequency	0.0 to 400.0	0.1 Hz	–	–	–
E1-08	Middle Output Frequency Voltage	0.0 to 377.1 <5>	0.1 V	–	–	–
E1-09	Minimum Output Frequency	0.0 to 400.0	0.1 Hz	<4>	<4>	0.0
E1-10	Minimum Output Frequency Voltage	0.0 to 377.1 <5>	0.1 V	–	–	–
F1-01	PG 1 Pulses Per Revolution	0 to 60000	1 ppr	–	–	1024
F1-05	PG 1 Rotation Selection	0, 1	–	1	1	1
F1-09	Overspeed Detection Delay Time	0.0 to 2.0	0.1 s	–	0.0	0.0
L1-01	Motor Overload Protection Selection	0 to 6	–	4	4	5
L3-36	Vibration Suppression Gain during Acceleration (with Current Limit)	0.0 to 100.0	–	–	–	–
L3-41	Vibration Suppression Gain during Deceleration (with Current Limit)	0.0 to 100.0	–	–	–	–
L4-01	Speed Agree Detection Level	0.0 to 400.0 Hz <2>	0.1	0.0 Hz	0.0%	0.0%
L4-02	Speed Agree Detection Width	0.0 to 20.0	0.1 Hz	2.0 Hz	4.0% <4>	4.0% <4>
L4-03	Speed Agree Detection Level (+/-)	0.0 to 400.0 Hz <6>	0.1	0.0 Hz	0.0%	0.0%
L4-04	Speed Agree Detection Width (+/-)	0.0 to 20.0	0.1 Hz	2.0 Hz	4.0% <4>	4.0% <4>
L8-38	Carrier Frequency Reduction Selection	0 to 2	–	0	–	0
L8-40	Carrier Frequency Reduction Off Delay Time	0.00 to 2.00	0.01 s	0.00	–	0.00
o1-03	Digital Operator Display Selection	0 to 3	–	0	1	1
o1-04	V/f Pattern Display Unit	0, 1	–	–	1	1

<1> Value calculated as a percentage of the maximum output frequency.

<2> In AOLV/PM and CLV/PM control modes, the setting units and range are expressed as a percentage (0.0 to 100.0%) instead of in Hz.

<3> In AOLV/PM and CLV/PM control modes, the setting units and range are expressed as a percentage (0.0 to 40.0%) instead of in Hz.

<4> Default setting is dependent on parameter E5-01, Motor Code Selection.

<5> Values shown are specific to 200 V class drives. Double the values for 400 V class drives.

<6> In AOLV/PM and CLV/PM control modes, the setting units and range are expressed as a percentage (-100.0 to 100.0%) instead of in Hz.



◆ E3-01 (Motor 2 Control Mode) Dependent Parameters

Table B.5 E3-01 (Motor 2 Control Mode) Dependent Parameters and Default Values

No.	Name	Setting Range	Resolution	Control Modes (E3-01)			
				V/f (0)	V/f w/PG (1)	OLV (2)	CLV (3)
C3-21	Motor 2 Slip Compensation Gain	0.0 to 2.5	0.1	0.0	–	1.0	1.0
C3-22	Motor 2 Slip Compensation Primary Delay Time	0 to 10000	1 ms	2000	–	200	–
C5-21	Motor 2 ASR Proportional Gain 1	0.00 to 300.00	0.01	–	0.20	–	20.00
C5-22	Motor 2 ASR Integral Time 1	0.000 to 10.000	0.001 s	–	0.200	–	0.500
C5-23	Motor 2 Proportional Gain 2	0.00 to 300.00	0.01	–	0.02	–	20.00
C5-24	Motor 2 ASR Integral Time 2	0.000 to 10.000	0.001 s	–	0.050	–	0.500
C5-26	Motor 2 Carrier Frequency Selection	1 to 4; F	–	7 <1>	7 <1>	7 <1>	7 <1>
E3-04	Motor 2 Maximum Output Frequency	40.0 to 400.0	0.1 Hz	60.0	60.0	60.0	60.0
E3-05	Motor 2 Maximum Output Voltage <2>	0.0 to 255.0	0.1 V	200.0	200.0	200.0	200.0
E3-06	Motor 2 Base Frequency	0.0 to 400.0	0.1 Hz	60.0	60.0	60.0	60.0
E3-07	Motor 2 Mid Output Frequency	0.0 to 400.0	0.1 Hz	3.0	3.0	3.0	0.0
E3-08	Motor 2 Mid Output Frequency Voltage <2>	0.0 to 255.0	0.1 V	15.0	15.0	11.0	0.0
E3-09	Motor 2 Minimum Output Frequency	0.0 to 400.0	0.1 Hz	1.5	1.5	0.5	0.0
E3-10	Motor 2 Minimum Output Voltage <2>	0.0 to 255.0	0.1 V	9.0	9.0	2.0	0.0

<1> Default setting is determined by parameters o2-04, Drive Model Selection, and C6-01, Drive Duty Selection.

<2> Values shown here are specific to 200 V class drives. Double the value for 400 V class drives.

## B.17 V/f Pattern Default Values

The following tables show the V/f pattern setting default values depending on the control mode (A1-02) and the V/f pattern selection (E1-03 in V/f Control).

**Table B.6 E1-03 V/f Pattern Settings for Drive Capacity: Models 4□0011 and 4□0014**

No.	Unit	V/f Control																OLV	CLV
		0	1	2	3	4	5	6	7	8	9	A	B	C	D	E	F <1>		
E1-03	-	0	1	2	3	4	5	6	7	8	9	A	B	C	D	E	F <1>	OLV	CLV
E1-04	Hz	50.0	60.0	60.0	72.0	50.0	50.0	60.0	60.0	50.0	50.0	60.0	60.0	90.0	120.0	180.0	60.0	60.0	60.0
E1-05 <2>	V	200.0	200.0	200.0	200.0	200.0	200.0	200.0	200.0	200.0	200.0	200.0	200.0	200.0	200.0	200.0	230.0	230.0	230.0
E1-06	Hz	50.0	60.0	50.0	60.0	50.0	50.0	60.0	60.0	50.0	50.0	60.0	60.0	60.0	60.0	60.0	60.0	60.0	-
E1-07	Hz	2.5	3.0	3.0	3.0	25.0	25.0	30.0	30.0	2.5	2.5	3.0	3.0	3.0	3.0	3.0	3.0	3.0	-
E1-08 <2>	V	15.0	15.0	15.0	15.0	35.0	50.0	35.0	50.0	19.0	24.0	19.0	24.0	15.0	15.0	15.0	17.3	13.8	-
E1-09	Hz	1.3	1.5	1.5	1.5	1.3	1.3	1.5	1.5	1.3	1.3	1.5	1.5	1.5	1.5	1.5	1.5	0.5	-
E1-10 <2>	V	9.0	9.0	9.0	9.0	8.0	9.0	8.0	9.0	11.0	13.0	11.0	15.0	9.0	9.0	9.0	10.2	2.9	-

<1> This value determines the default values for E1-04 through E1-10 (E3-04 through E3-10 for motor 2).

<2> Values shown here are specific to 200 V class drives. Double the value for 400 V class drives.

**Table B.7 E1-03 V/f Pattern Settings for Drive Capacity: Models 2□0028 to 2□0192 and 4□0021 to 4□0124**

No.	Unit	V/f Control																OLV	CLV
		0	1	2	3	4	5	6	7	8	9	A	B	C	D	E	F <1>		
E1-03	-	0	1	2	3	4	5	6	7	8	9	A	B	C	D	E	F <1>	OLV	CLV
E1-04	Hz	50.0	60.0	60.0	72.0	50.0	50.0	60.0	60.0	50.0	50.0	60.0	60.0	90.0	120.0	180.0	60.0	60.0	60.0
E1-05 <2>	V	200.0	200.0	200.0	200.0	200.0	200.0	200.0	200.0	200.0	200.0	200.0	200.0	200.0	200.0	200.0	230.0	230.0	230.0
E1-06	Hz	50.0	60.0	50.0	60.0	50.0	50.0	60.0	60.0	50.0	50.0	60.0	60.0	60.0	60.0	60.0	60.0	60.0	-
E1-07	Hz	2.5	3.0	3.0	3.0	25.0	25.0	30.0	30.0	2.5	2.5	3.0	3.0	3.0	3.0	3.0	3.0	3.0	-
E1-08 <2>	V	14.0	14.0	14.0	14.0	35.0	50.0	35.0	50.0	18.0	23.0	18.0	23.0	14.0	14.0	14.0	16.1	12.7	-
E1-09	Hz	1.3	1.5	1.5	1.5	1.3	1.3	1.5	1.5	1.3	1.3	1.5	1.5	1.5	1.5	1.5	1.5	0.5	-
E1-10 <2>	V	7.0	7.0	7.0	7.0	6.0	7.0	6.0	7.0	9.0	11.0	9.0	13.0	7.0	7.0	7.0	8.1	2.3	-

<1> This value determines the default values for E1-04 through E1-10 (E3-04 through E3-10 for motor 2).

<2> Values shown here are specific to 200 V class drives. Double the value for 400 V class drives.

**Table B.8 E1-03 V/f Pattern Settings for Drive Capacity: Models 2□0248 and 4□0156 to 4□0414**

No.	Unit	V/f Control																OLV	CLV
		0	1	2	3	4	5	6	7	8	9	A	B	C	D	E	F <1>		
E1-03	-	0	1	2	3	4	5	6	7	8	9	A	B	C	D	E	F <1>	OLV	CLV
E1-04	Hz	50.0	60.0	60.0	72.0	50.0	50.0	60.0	60.0	50.0	50.0	60.0	60.0	90.0	120.0	180.0	60.0	60.0	60.0
E1-05 <2>	V	200.0	200.0	200.0	200.0	200.0	200.0	200.0	200.0	200.0	200.0	200.0	200.0	200.0	200.0	200.0	230.0	230.0	230.0
E1-06	Hz	50.0	60.0	50.0	60.0	50.0	50.0	60.0	60.0	50.0	50.0	60.0	60.0	60.0	60.0	60.0	60.0	60.0	-
E1-07	Hz	2.5	3.0	3.0	3.0	25.0	25.0	30.0	30.0	2.5	2.5	3.0	3.0	3.0	3.0	3.0	3.0	3.0	-
E1-08 <2>	V	12.0	12.0	12.0	12.0	35.0	50.0	35.0	50.0	15.0	20.0	15.0	20.0	12.0	12.0	12.0	13.8	12.7	-
E1-09	Hz	1.3	1.5	1.5	1.5	1.3	1.3	1.5	1.5	1.3	1.3	1.5	1.5	1.5	1.5	1.5	1.5	0.5	-
E1-10 <2>	V	6.0	6.0	6.0	6.0	5.0	6.0	5.0	6.0	7.0	9.0	7.0	11.0	6.0	6.0	6.0	6.9	2.3	-

<1> This value determines the default values for E1-04 through E1-10 (E3-04 through E3-10 for motor 2).

<2> Values shown here are specific to 200 V class drives. Double the value for 400 V class drives.

## B.18 Defaults by Drive Model and Duty Rating ND/HD

The following tables show parameters and default settings that change with the drive model selection (o2-04) and drive duty selection (C6-01). Parameter numbers shown in parenthesis are valid for motor 2.

**Table B.9 200 V Class Drives Default Settings by Drive Model Selection and ND/HD Settings**

No.	Name	Unit	Default Settings							
			2□0028		2□0042		2□0054		2□0068	
–	Drive Model	–	HD	ND	HD	ND	HD	ND	HD	ND
<b>C6-01</b>	<b>Drive Duty Selection</b>	–	HD	ND	HD	ND	HD	ND	HD	ND
<b>o2-04</b>	<b>Drive Model Selection</b>	Hex.	6A		6B		6D		6E	
<b>E2-11 (E4-11)</b>	<b>Motor Rated Output</b>	kW (HP)	5.5 (7.5)	7.5 (10)	7.5 (10)	11 (15)	11 (15)	15 (20)	15 (20)	18.5 (25)
b3-04	V/f Gain during Speed Search	%	100	100	100	100	100	100	100	100
b3-06	Output Current 1 during Speed Search	–	0.5	0.5	0.5	0.5	0.5	0.5	0.5	0.5
b3-08	Current Control Gain during Speed Search (Speed Estimation Type)	–	0.5	0.5	0.5	0.5	0.5	0.5	0.5	0.5
b8-03	Energy Saving Control Filter Time Constant	s	0.50	0.50	0.50	0.50	0.50	0.50	0.50	0.50
b8-04	Energy Saving Coefficient Value	–	94.75	72.69	72.69	70.44	70.44	63.13	63.13	57.87
C5-17 (C5-37)	Motor Inertia	kgm <sup>2</sup>	0.026	0.037	0.037	0.053	0.053	0.076	0.076	0.138
C6-02	Carrier Frequency Selection	–	1	1	1	1	1	1	1	1
E2-01 (E4-01)	Motor Rated Current	A	19.6	26.6	26.6	39.7	39.7	53	53	65.8
E2-02 (E4-02)	Motor Rated Slip	Hz	1.5	1.3	1.3	1.7	1.7	1.6	1.6	1.67
E2-03 (E4-03)	Motor No-Load Current	A	5.1	8	8	11.2	11.2	15.2	15.2	15.7
E2-05 (E4-05)	Motor Line-to-Line Resistance	Ω	0.399	0.288	0.288	0.23	0.23	0.138	0.138	0.101
E2-06 (E4-06)	Motor Leakage Inductance	%	18.2	15.5	15.5	19.5	19.5	17.2	17.2	20.1
E2-10 (E4-10)	Motor Iron Loss for Torque Compensation	W	172	262	262	245	245	272	272	505
E5-01	Motor Code Selection (for PM Motors)	Hex.	120A	120A	120B	120B	120D	120D	120E	120E
L2-02	Momentary Power Loss Ride-Thru Time	s	0.7	0.8	0.8	0.9	0.9	1	1	1
L2-03	Momentary Power Loss Minimum Baseblock Time	s	0.3	0.3	0.3	0.3	0.3	0.6	0.6	0.6
L2-04	Momentary Power Loss Voltage Recovery Time	s	150	150	150	150	150	150	150	150
L8-02	Overheat Alarm Level	°C	130	130	130	130	130	130	130	130
L8-35	Installation Method Selection	–	0	0	0	0	0	0	0	0
L8-38	Carrier Frequency Reduction Selection	–	1	1	1	1	1	1	1	1
n1-03	Hunting Prevention Time Constant	ms	10	10	10	10	10	10	10	10
n5-02	Motor Acceleration Time	s	0.168	0.175	0.175	0.265	0.265	0.244	0.244	0.317

**Table B.10 200 V Class Drives Default Settings by Drive Model Selection and ND/HD Settings**

No.	Name	Unit	Default Settings							
			2□0081		2□0104		2□0130		2□0154	
–	Drive Model	–	HD	ND	HD	ND	HD	ND	HD	ND
<b>C6-01</b>	<b>Drive Duty Selection</b>	–	HD	ND	HD	ND	HD	ND	HD	ND
<b>o2-04</b>	<b>Drive Model Selection</b>	Hex.	6F		70		72		73	
<b>E2-11 (E4-11)</b>	<b>Motor Rated Output</b>	kW (HP)	18.5 (25)	22 (30)	22 (30)	30 (40)	30 (40)	37 (50)	37 (50)	45 (60)
b3-04	V/f Gain during Speed Search	%	100	100	100	80	80	80	80	80
b3-06	Output Current 1 during Speed Search	–	0.5	0.5	0.5	0.5	0.5	0.5	0.5	0.5
b3-08	Current Control Gain during Speed Search (Speed Estimation Type)	–	0.5	0.5	0.5	0.5	0.5	0.5	0.5	0.5
b8-03	Energy Saving Control Filter Time Constant	s	0.50	0.50	0.50	0.50	0.50	0.50	0.50	0.50
b8-04	Energy Saving Coefficient Value	–	57.87	51.79	51.79	46.27	46.27	38.16	38.16	35.78
C5-17 (C5-37)	Motor Inertia	kgm <sup>2</sup>	0.138	0.165	0.165	0.220	0.220	0.273	0.273	0.333
C6-02	Carrier Frequency Selection	–	1	1	1	1	1	1	1	1
E2-01 (E4-01)	Motor Rated Current	A	65.8	77.2	77.2	105	105	131	131	160
E2-02 (E4-02)	Motor Rated Slip	Hz	1.67	1.7	1.7	1.8	1.8	1.33	1.33	1.6
E2-03 (E4-03)	Motor No-Load Current	A	15.7	18.5	18.5	21.9	21.9	38.2	38.2	44

## B.18 Defaults by Drive Model and Duty Rating ND/HD

No.	Name	Unit	Default Settings							
			2□0081		2□0104		2□0130		2□0154	
–	Drive Model	–	HD	ND	HD	ND	HD	ND	HD	ND
<b>C6-01</b>	<b>Drive Duty Selection</b>	–	HD	ND	HD	ND	HD	ND	HD	ND
<b>o2-04</b>	<b>Drive Model Selection</b>	Hex.	6F		70		72		73	
<b>E2-11 (E4-11)</b>	<b>Motor Rated Output</b>	<b>kW (HP)</b>	<b>18.5 (25)</b>	<b>22 (30)</b>	<b>22 (30)</b>	<b>30 (40)</b>	<b>30 (40)</b>	<b>37 (50)</b>	<b>37 (50)</b>	<b>45 (60)</b>
E2-05 (E4-05)	Motor Line-to-Line Resistance	Ω	0.101	0.079	0.079	0.064	0.064	0.039	0.039	0.03
E2-06 (E4-06)	Motor Leakage Inductance	%	20.1	19.5	19.5	20.8	20.8	18.8	18.8	20.2
E2-10 (E4-10)	Motor Iron Loss for Torque Compensation	W	505	538	538	699	699	823	823	852
E5-01	Motor Code Selection (for PM Motors)	Hex.	120F	120F	1210	1210	1212	1212	1213	1213
L2-02	Momentary Power Loss Ride-Thru Time	s	1	1	1	1.1	1.1	1.1	1.1	1.2
L2-03	Momentary Power Loss Minimum Baseblock Time	s	0.6	0.6	0.6	0.6	0.6	0.6	0.6	1
L2-04	Momentary Power Loss Voltage Recovery Time	s	150	150	150	150	150	150	150	150
L8-02	Overheat Alarm Level	°C	130	130	130	130	130	130	130	130
L8-35	Installation Method Selection	–	0	0	0	0	0	0	0	0
L8-38	Carrier Frequency Reduction Selection	–	1	1	1	1	1	1	1	1
n1-03	Hunting Prevention Time Constant	ms	10	10	10	10	10	10	10	10
n5-02	Motor Acceleration Time	s	0.317	0.355	0.355	0.323	0.323	0.32	0.32	0.387

**Table B.11 200 V Class Drives Default Settings by Drive Model Selection and ND/HD Settings**

No.	Name	Unit	Default Settings			
			2□0192		2□0248	
–	Drive Model	–	HD	ND	HD	ND
<b>C6-01</b>	<b>Drive Duty Selection</b>	–	HD	ND	HD	ND
<b>o2-04</b>	<b>Drive Model Selection</b>	Hex.	74		75	
<b>E2-11 (E4-11)</b>	<b>Motor Rated Output</b>	<b>kW (HP)</b>	<b>45 (60)</b>	<b>55 (75)</b>	<b>55 (75)</b>	<b>75 (100)</b>
b3-04	V/f Gain during Speed Search	%	80	80	80	80
b3-06	Output Current 1 during Speed Search	–	0.5	0.5	0.5	0.7
b3-08	Current Control Gain during Speed Search (Speed Estimation Type)	–	0.5	0.5	0.5	0.5
b8-03	Energy Saving Control Filter Time Constant	s	0.50	2.00	2.00	2.00
b8-04	Energy Saving Coefficient Value	–	35.78	31.35	31.35	23.1
C5-17 (C5-37)	Motor Inertia	kgm <sup>2</sup>	0.333	0.490	0.49	0.90
C6-02	Carrier Frequency Selection	–	1	1	1	1
E2-01 (E4-01)	Motor Rated Current	A	160	190	190	260
E2-02 (E4-02)	Motor Rated Slip	Hz	1.6	1.43	1.43	1.39
E2-03 (E4-03)	Motor No-Load Current	A	44	45.6	45.6	72
E2-05 (E4-05)	Motor Line-to-Line Resistance	Ω	0.03	0.022	0.022	0.023
E2-06 (E4-06)	Motor Leakage Inductance	%	20.2	20.5	20.5	20
E2-10 (E4-10)	Motor Iron Loss for Torque Compensation	W	852	960	960	1200
E5-01	Motor Code Selection (for PM Motors)	Hex.	1214	1214	1215	1215
L2-02	Momentary Power Loss Ride-Thru Time	s	1.2	1.3	1.3	1.5
L2-03	Momentary Power Loss Minimum Baseblock Time	s	1	1	1	1
L2-04	Momentary Power Loss Voltage Recovery Time	s	150	150	150	150
L8-02	Overheat Alarm Level	°C	130	130	130	130
L8-35	Installation Method Selection	–	0	0	0	0
L8-38	Carrier Frequency Reduction Selection	–	1	1	1	1
n1-03	Hunting Prevention Time Constant	ms	10	10	10	10
n5-02	Motor Acceleration Time	s	0.387	0.317	0.317	0.533

## B.18 Defaults by Drive Model and Duty Rating ND/HD

**Table B.12 400 V Class Drives Default Settings by Drive Model Selection and ND/HD Settings**

No.	Name	Unit	Default Settings							
			4□0011		4□0014		4□0021		4□0027	
–	Drive Model	–	HD	ND	HD	ND	HD	ND	HD	ND
C6-01	Drive Duty Selection	–	HD	ND	HD	ND	HD	ND	HD	ND
o2-04	Drive Model Selection	Hex.	95		97		99		9A	
E2-11 (E4-11)	Motor Rated Output	kW (HP)	3.7 (5)	5.5 (7.5)	5.5 (7.5)	7.5 (10)	7.5 (10)	11 (15)	11 (15)	15 (20)
b3-04	V/f Gain during Speed Search	%	100	100	100	100	100	100	100	100
b3-06	Output Current I during Speed Search	–	0.5	0.5	0.5	0.5	0.5	0.5	0.5	0.5
b3-08	Current Control Gain during Speed Search (Speed Estimation Type)	–	0.5	0.5	0.5	0.5	0.5	0.5	0.5	0.5
b8-03	Energy Saving Control Filter Time Constant	s	0.50	0.50	0.50	0.50	0.50	0.50	0.50	0.50
b8-04	Energy Saving Coefficient Value	–	313.6	245.8	245.8	189.5	189.5	145.38	145.38	140.88
C5-17 (C5-37)	Motor Inertia	kgm <sup>2</sup>	0.0088	0.0158	0.0158	0.0255	0.026	0.037	0.037	0.053
C6-02	Carrier Frequency Selection	–	1	1	1	1	1	1	1	1
E2-01 (E4-01)	Motor Rated Current	A	4.2	7	7	9.8	9.8	13.3	13.3	19.9
E2-02 (E4-02)	Motor Rated Slip	Hz	3	2.7	2.7	1.5	1.5	1.3	1.3	1.7
E2-03 (E4-03)	Motor No-Load Current	A	1.5	2.3	2.3	2.6	2.6	4	4	5.6
E2-05 (E4-05)	Motor Line-to-Line Resistance	Ω	6.495	3.333	3.333	1.595	1.595	1.152	1.152	0.922
E2-06 (E4-06)	Motor Leakage Inductance	%	18.7	19.3	19.3	18.2	18.2	15.5	15.5	19.6
E2-10 (E4-10)	Motor Iron Loss for Torque Compensation	W	77	130	130	193	193	263	263	385
E5-01	Motor Code Selection (for PM Motors)	Hex.	1236	1236	1238	1238	123A	123A	123B	123B
L2-02	Momentary Power Loss Ride-Thru Time	s	0.5	0.6	0.6	0.7	0.7	0.8	0.8	0.9
L2-03	Momentary Power Loss Minimum Baseblock Time	s	0.3	0.3	0.3	0.3	0.3	0.3	0.3	0.3
L2-04	Momentary Power Loss Voltage Recovery Time	s	300	300	300	300	300	300	300	300
L8-02	Overheat Alarm Level	°C	130	130	130	130	130	130	130	130
L8-35	Installation Method Selection	–	0	0	0	0	0	0	0	0
L8-38	Carrier Frequency Reduction Selection	–	1	1	1	1	1	1	1	1
n1-03	Hunting Prevention Time Constant	ms	10	10	10	10	10	10	10	10
n5-02	Motor Acceleration Time	s	0.145	0.154	0.154	0.168	0.168	0.175	0.175	0.265

**Table B.13 400 V Class Drives Default Settings by Drive Model Selection and ND/HD Settings**

No.	Name	Unit	Default Settings							
			4□0034		4□0040		4□0052		4□0065	
–	Drive Model	–	HD	ND	HD	ND	HD	ND	HD	ND
C6-01	Drive Duty Selection	–	HD	ND	HD	ND	HD	ND	HD	ND
o2-04	Drive Model Selection	Hex.	9C		9D		9E		9F	
E2-11 (E4-11)	Motor Rated Output	kW (HP)	15 (20)	18.5 (25)	18.5 (25)	22 (30)	22 (30)	30 (40)	30 (40)	37 (50)
b3-04	V/f Gain during Speed Search	%	100	100	100	100	100	100	100	100
b3-06	Output Current I during Speed Search	–	0.5	0.5	0.5	0.5	0.5	0.5	0.5	0.5
b3-08	Current Control Gain during Speed Search (Speed Estimation Type)	–	0.5	0.5	0.5	0.5	0.5	0.5	0.5	0.5
b8-03	Energy Saving Control Filter Time Constant	s	0.50	0.50	0.50	0.50	0.50	0.50	0.50	0.50
b8-04	Energy Saving Coefficient Value	–	140.88	126.26	126.26	115.74	115.74	103.58	103.58	92.54
C5-17 (C5-37)	Motor Inertia	kgm <sup>2</sup>	0.053	0.076	0.076	0.138	0.138	0.165	0.165	0.220
C6-02	Carrier Frequency Selection	–	1	1	1	1	1	1	1	1
E2-01 (E4-01)	Motor Rated Current	A	19.9	26.5	26.5	32.9	32.9	38.6	38.6	52.3
E2-02 (E4-02)	Motor Rated Slip	Hz	1.7	1.6	1.6	1.67	1.67	1.7	1.7	1.8
E2-03 (E4-03)	Motor No-Load Current	A	5.6	7.6	7.6	7.8	7.8	9.2	9.2	10.9
E2-05 (E4-05)	Motor Line-to-Line Resistance	Ω	0.922	0.55	0.55	0.403	0.403	0.316	0.316	0.269
E2-06 (E4-06)	Motor Leakage Inductance	%	19.6	17.2	17.2	20.1	20.1	23.5	23.5	20.7
E2-10 (E4-10)	Motor Iron Loss for Torque Compensation	W	385	440	440	508	508	586	586	750
E5-01	Motor Code Selection (for PM Motors)	Hex.	123D	123D	123E	123E	123F	123F	1240	1240

## B.18 Defaults by Drive Model and Duty Rating ND/HD

No.	Name	Unit	Default Settings							
			4□0034		4□0040		4□0052		4□0065	
–	Drive Model	–	HD	ND	HD	ND	HD	ND	HD	ND
C6-01	Drive Duty Selection	–	HD	ND	HD	ND	HD	ND	HD	ND
o2-04	Drive Model Selection	Hex.	9C		9D		9E		9F	
E2-11 (E4-11)	Motor Rated Output	kW (HP)	15 (20)	18.5 (25)	18.5 (25)	22 (30)	22 (30)	30 (40)	30 (40)	37 (50)
L2-02	Momentary Power Loss Ride-Thru Time	s	0.9	1	1	1	1	1	1	1.1
L2-03	Momentary Power Loss Minimum Baseblock Time	s	0.3	0.6	0.6	0.6	0.6	0.6	0.6	0.6
L2-04	Momentary Power Loss Voltage Recovery Time	s	300	300	300	300	300	300	300	300
L8-02	Overheat Alarm Level	°C	130	130	130	130	130	130	130	130
L8-35	Installation Method Selection	–	0	0	0	0	0	0	0	0
L8-38	Carrier Frequency Reduction Selection	–	1	1	1	1	1	1	1	1
n1-03	Hunting Prevention Time Constant	ms	10	10	10	10	10	10	10	10
n5-02	Motor Acceleration Time	s	0.265	0.244	0.244	0.317	0.317	0.355	0.355	0.323

**Table B.14 400 V Class Drives Default Settings by Drive Model Selection and ND/HD Settings**

No.	Name	Unit	Default Settings							
			4□0077		4□0096		4□0124		4□0156	
–	Drive Model	–	HD	ND	HD	ND	HD	ND	HD	ND
C6-01	Drive Duty Selection	–	HD	ND	HD	ND	HD	ND	HD	ND
o2-04	Drive Model Selection	Hex.	A1		A2		A3		A4	
E2-11 (E4-11)	Motor Rated Output	kW (HP)	37 (50)	45 (60)	45 (60)	55 (75)	55 (75)	75 (100)	75 (100)	90 (125)
b3-04	V/f Gain during Speed Search	%	100	100	100	100	100	80	80	60
b3-06	Output Current 1 during Speed Search	–	0.5	0.5	0.5	0.5	0.5	0.5	0.5	0.7
b3-08	Current Control Gain during Speed Search (Speed Estimation Type)	–	0.5	0.5	0.5	0.5	0.5	0.5	0.5	0.8
b8-03	Energy Saving Control Filter Time Constant	s	0.50	0.50	0.50	0.50	0.50	2.00	2.00	2.00
b8-04	Energy Saving Coefficient Value	–	92.54	76.32	76.32	71.56	71.56	67.2	67.2	46.2
C5-17 (C5-37)	Motor Inertia	kgm <sup>2</sup>	0.220	0.273	0.273	0.333	0.333	0.490	0.490	0.900
C6-02	Carrier Frequency Selection	–	1	1	1	1	1	1	1	1
E2-01 (E4-01)	Motor Rated Current	A	52.3	65.6	65.6	79.7	79.7	95	95	130
E2-02 (E4-02)	Motor Rated Slip	Hz	1.8	1.33	1.33	1.6	1.6	1.46	1.46	1.39
E2-03 (E4-03)	Motor No-Load Current	A	10.9	19.1	19.1	22	22	24	24	36
E2-05 (E4-05)	Motor Line-to-Line Resistance	Ω	0.269	0.155	0.155	0.122	0.122	0.088	0.088	0.092
E2-06 (E4-06)	Motor Leakage Inductance	%	20.7	18.8	18.8	19.9	19.9	20	20	20
E2-10 (E4-10)	Motor Iron Loss for Torque Compensation	W	750	925	925	1125	1125	1260	1260	1600
E5-01	Motor Code Selection (for PM Motors)	Hex.	1242	1242	1243	1243	1244	1244	1245	1245
L2-02	Momentary Power Loss Ride-Thru Time	s	1.1	1.1	1.1	1.2	1.2	1.2	1.2	1.3
L2-03	Momentary Power Loss Minimum Baseblock Time	s	0.6	0.6	0.6	0.6	0.6	1	1	1
L2-04	Momentary Power Loss Voltage Recovery Time	s	300	300	300	300	300	300	300	300
L8-02	Overheat Alarm Level	°C	130	130	130	130	130	130	130	130
L8-35	Installation Method Selection	–	0	0	0	0	0	0	0	0
L8-38	Carrier Frequency Reduction Selection	–	1	1	1	1	1	1	1	1
n1-03	Hunting Prevention Time Constant	ms	10	10	10	10	10	10	30	30
n5-02	Motor Acceleration Time	s	0.323	0.32	0.32	0.387	0.387	0.317	0.317	0.533

Parameter List

**B**

## B.18 Defaults by Drive Model and Duty Rating ND/HD

**Table B.15 400 V Class Drives Default Settings by Drive Model Selection and ND/HD Settings**

No.	Name	Unit	Default Settings							
			4□0180		4□0216		4□0240		4□0302	
–	Drive Model	–	HD	ND	HD	ND	HD	ND	HD	ND
C6-01	Drive Duty Selection	–	HD	ND	HD	ND	HD	ND	HD	ND
o2-04	Drive Model Selection	Hex.	A5		A6		A7		A8	
E2-11 (E4-11)	Motor Rated Output	kW (HP)	90 (125)	110 (150)	110 (150)	132 (175)	132 (175)	160 (200)	160 (200)	185 (250)
b3-04	V/f Gain during Speed Search	%	60	60	60	60	60	60	60	60
b3-06	Output Current I during Speed Search	–	0.7	0.7	0.7	0.7	0.7	0.7	0.7	0.7
b3-08	Current Control Gain during Speed Search (Speed Estimation Type)	–	0.8	0.8	0.8	0.8	0.8	0.8	0.8	0.8
b8-03	Energy Saving Control Filter Time Constant	s	2.00	2.00	2.00	2.00	2.00	2.00	2.00	2.00
b8-04	Energy Saving Coefficient Value	–	46.2	38.91	38.91	36.23	36.23	32.79	32.79	30.13
C5-17 (C5-37)	Motor Inertia	kgm <sup>2</sup>	0.900	1.100	1.10	1.90	1.90	2.10	2.10	3.30
C6-02	Carrier Frequency Selection	–	1	1	1	1	1	1	1	1
E2-01 (E4-01)	Motor Rated Current	A	130	156	156	190	190	223	223	270
E2-02 (E4-02)	Motor Rated Slip	Hz	1.39	1.4	1.4	1.4	1.4	1.38	1.38	1.35
E2-03 (E4-03)	Motor No-Load Current	A	36	40	40	49	49	58	58	70
E2-05 (E4-05)	Motor Line-to-Line Resistance	Ω	0.092	0.056	0.056	0.046	0.046	0.035	0.035	0.029
E2-06 (E4-06)	Motor Leakage Inductance	%	20	20	20	20	20	20	20	20
E2-10 (E4-10)	Motor Iron Loss for Torque Compensation	W	1600	1760	1760	2150	2150	2350	2350	2850
E5-01	Motor Code Selection (for PM Motors)	Hex.	1246	1246	1247	1247	1248	1248	1249	1249
L2-02	Momentary Power Loss Ride-Thru Time	s	1.3	1.5	1.5	1.7	1.7	1.7	1.7	1.8
L2-03	Momentary Power Loss Minimum Baseblock Time	s	1	1	1	1	1	1	1	1
L2-04	Momentary Power Loss Voltage Recovery Time	s	300	300	300	300	300	300	300	300
L8-02	Overheat Alarm Level	°C	130	130	130	130	130	130	130	130
L8-35	Installation Method Selection	–	0	0	0	0	0	0	0	0
L8-38	Carrier Frequency Reduction Selection	–	1	1	1	1	1	1	1	1
n1-03	Hunting Prevention Time Constant	ms	30	30	30	30	30	30	30	30
n5-02	Motor Acceleration Time	s	0.533	0.592	0.592	0.646	0.646	0.673	0.673	0.777

**Table B.16 400 V Class Drives Default Settings by Drive Model Selection and ND/HD Settings**

No.	Name	Unit	Default Settings			
			4□0361		4□0414	
–	Drive Model	–	HD	ND	HD	ND
C6-01	Drive Duty Selection	–	HD	ND	HD	ND
o2-04	Drive Model Selection	Hex.	A9		AA	
E2-11 (E4-11)	Motor Rated Output	kW (HP)	185 (250)	220 (300)	220 (300)	260 (350)
b3-04	V/f Gain during Speed Search	%	60	60	60	60
b3-06	Output Current I during Speed Search	–	0.7	0.7	0.7	0.7
b3-08	Current Control Gain during Speed Search (Speed Estimation Type)	–	0.8	0.8	0.8	0.8
b8-03	Energy Saving Control Filter Time Constant	s	2.00	2.00	2.00	2.00
b8-04	Energy Saving Coefficient Value	–	30.13	30.57	30.57	27.13
C5-17 (C5-37)	Motor Inertia	kgm <sup>2</sup>	3.30	3.60	3.60	4.10
C6-02	Carrier Frequency Selection	–	1	1	1	1
E2-01 (E4-01)	Motor Rated Current	A	270	310	310	370
E2-02 (E4-02)	Motor Rated Slip	Hz	1.35	1.3	1.3	1.3
E2-03 (E4-03)	Motor No-Load Current	A	70	81	81	96
E2-05 (E4-05)	Motor Line-to-Line Resistance	Ω	0.029	0.025	0.025	0.02
E2-06 (E4-06)	Motor Leakage Inductance	%	20	20	20	20
E2-10 (E4-10)	Motor Iron Loss for Torque Compensation	W	2850	3200	3200	3700
E5-01	Motor Code Selection (for PM Motors)	Hex.	124A	124A	FFFF	FFFF
L2-02	Momentary Power Loss Ride-Thru Time	s	1.8	1.9	1.9	2



## B.18 Defaults by Drive Model and Duty Rating ND/HD

No.	Name	Unit	Default Settings			
–	Drive Model	–	4□0361		4□0414	
C6-01	Drive Duty Selection	–	HD	ND	HD	ND
o2-04	Drive Model Selection	Hex.	A9		AA	
E2-11 (E4-11)	Motor Rated Output	kW (HP)	185 (250)	220 (300)	220 (300)	260 (350)
L2-03	Momentary Power Loss Minimum Baseblock Time	s	1	1	1	1
L2-04	Momentary Power Loss Voltage Recovery Time	s	300	300	300	300
L8-02	Overheat Alarm Level	°C	130	130	130	130
L8-35	Installation Method Selection	–	0	0	0	0
L8-38	Carrier Frequency Reduction Selection	–	1	1	1	1
n1-03	Hunting Prevention Time Constant	ms	30	30	100	100
n5-02	Motor Acceleration Time	s	0.777	0.864	0.864	0.91

## B.19 Parameters Changed by Motor Code Selection (for PM Motors)

The following tables show parameters and default settings that change with the motor code selection E5-01 when Open Loop Vector for PM motors is used.

### ◆ Yaskawa SMRA Series SPM Motor

**Table B.17 200 V, 1800 r/min Type Yaskawa SMRA Series SPM Motor Settings**

No.	Name	Unit	Default Settings				
E5-01	Motor Code Selection (for PM Motors)	–	0002	0003	0005	0006	0008
	Voltage Class	V	200	200	200	200	200
	Rated Power	kW	0.4	0.75	1.5	2.2	3.7
	Rated Speed	r/min	1800	1800	1800	1800	1800
E5-02	Motor Rated Power (for PM Motors)	kW	0.4	0.75	1.5	2.2	3.7
E5-03	Motor Rated Current (for PM Motors)	A	2.1	4.0	6.9	10.8	17.4
E5-04	Number of Motor Poles (for PM Motors)	–	8	8	8	8	8
E5-05	Motor Stator Resistance (r1) (for PM Motors)	Ω	2.47	1.02	0.679	0.291	0.169
E5-06	Motor d-Axis Inductance (Ld) (for PM Motors)	mH	12.7	4.8	3.9	3.6	2.5
E5-07	Motor q-Axis Inductance (Lq) (for PM Motors)	mH	12.7	4.8	3.9	3.6	2.5
E5-09	Motor Induction Voltage Constant 1 (Ke) (for PM Motors)	mVs /rad	0	0	0	0	0
E5-24	Motor Induction Voltage Constant 2 (Ke) (for PM Motors)	mV/ (r/min)	62.0	64.1	73.4	69.6	72.2
E1-04	Maximum Output Frequency	Hz	120	120	120	120	120
E1-05	Maximum Voltage	V	200.0	200.0	200.0	200.0	200.0
E1-06	Base Frequency	Hz	120	120	120	120	120
E1-09	Minimum Output Frequency	Hz	6	6	6	6	6
C5-17	Motor Inertia	kgm <sup>2</sup>	0.0007	0.0014	0.0021	0.0032	0.0046
n5-02	Motor Acceleration Time	s	0.064	0.066	0.049	0.051	0.044

**Table B.18 200 V, 3600 r/min Type Yaskawa SMRA Series SPM Motor Settings**

No.	Name	Unit	Default Settings			
E5-01	Motor Code Selection (for PM Motors)	–	0103	0105	0106	0108
	Voltage Class	V	200	200	200	200
	Rated Power	kW	0.75	1.5	2.2	3.7
	Rated Speed	r/min	3600	3600	3600	3600
E5-02	Motor Rated Power (for PM Motors)	kW	0.75	1.5	2.2	3.7
E5-03	Motor Rated Current (for PM Motors)	A	4.1	8.0	10.5	16.5
E5-04	Number of Motor Poles (for PM Motors)	–	8	8	8	8
E5-05	Motor Stator Resistance (r1) (for PM Motors)	Ω	0.538	0.20	0.15	0.097
E5-06	Motor d-Axis Inductance (Ld) (for PM Motors)	mH	3.2	1.3	1.1	1.1
E5-07	Motor q-Axis Inductance (Lq) (for PM Motors)	mH	3.2	1.3	1.1	1.1
E5-09	Motor Induction Voltage Constant 1 (Ke) (for PM Motors)	mVs /rad	0	0	0	0
E5-24	Motor Induction Voltage Constant 2 (Ke) (for PM Motors)	mV/ (r/min)	32.4	32.7	36.7	39.7
E1-04	Maximum Output Frequency	Hz	240	240	240	240
E1-05	Maximum Voltage	V	200.0	200.0	200.0	200.0
E1-06	Base Frequency	Hz	240	240	240	240
E1-09	Minimum Output Frequency	Hz	12	12	12	12
C5-17	Motor Inertia	kgm <sup>2</sup>	0.0007	0.0014	0.0021	0.0032

## B.19 Parameters Changed by Motor Code Selection (for PM Motors)

No.	Name	Unit	Default Settings			
n5-02	Motor Acceleration Time	s	0.137	0.132	0.132	0.122

### ◆ Yaskawa SSR1 Series IPM Motor (For Derated Torque)

**Table B.19 200 V, 1750 r/min Type Yaskawa SSR1 Series IPM Motor**

No.	Name	Unit	Default Settings							
E5-01	Motor Code Selection (for PM Motors)	–	1202	1203	1205	1206	1208	120A	120B	120D
	Voltage Class	V	200	200	200	200	200	200	200	200
	Rated Power	kW	0.4	0.75	1.5	2.2	3.7	5.5	7.5	11
	Rated Speed	r/min	1750	1750	1750	1750	1750	1750	1750	1750
E5-02	Motor Rated Power (for PM Motors)	kW	0.4	0.75	1.5	2.2	3.7	5.5	7.5	11.0
E5-03	Motor Rated Current (for PM Motors)	A	1.77	3.13	5.73	8.44	13.96	20.63	28.13	41.4
E5-04	Number of Motor Poles (for PM Motors)	–	6	6	6	6	6	6	6	6
E5-05	Motor Stator Resistance (r1) (for PM Motors)	Ω	8.233	2.284	1.470	0.827	0.455	0.246	0.198	0.094
E5-06	Motor d-Axis Inductance (Ld) (for PM Motors)	mH	54.84	23.02	17.22	8.61	7.20	4.86	4.15	3.40
E5-07	Motor q-Axis Inductance (Lq) (for PM Motors)	mH	64.10	29.89	20.41	13.50	10.02	7.43	5.91	3.91
E5-09	Motor Induction Voltage Constant 1 (Ke) (for PM Motors)	mVs /rad	223.7	220.3	240.8	238.0	238.7	239.6	258.2	239.3
E5-24	Motor Induction Voltage Constant 2 (Ke) (for PM Motors)	mV/ (r/min)	0.0	0.0	0.0	0.0	0.0	0.0	0.0	0.0
E1-04	Maximum Output Frequency	Hz	87.5	87.5	87.5	87.5	87.5	87.5	87.5	87.5
E1-05	Maximum Voltage	V	190.0	190.0	190.0	190.0	190.0	190.0	190.0	190.0
E1-06	Base Frequency	Hz	87.5	87.5	87.5	87.5	87.5	87.5	87.5	87.5
E1-09	Minimum Output Frequency	Hz	4.4	4.4	4.4	4.4	4.4	4.4	4.4	4.4
C5-17	Motor Inertia	kgm <sup>2</sup>	0.0011	0.0017	0.0023	0.0043	0.0083	0.014	0.017	0.027
n5-02	Motor Acceleration Time	s	0.092	0.076	0.052	0.066	0.075	0.083	0.077	0.084

**Table B.20 200 V, 1750 r/min Type Yaskawa SSR1 Series IPM Motor**

No.	Name	Unit	Default Settings							
E5-01	Motor Code Selection (for PM Motors)	–	120E	120F	1210	1212	1213	1214	1215	1216
	Voltage Class	V	200	200	200	200	200	200	200	200
	Rated Power	kW	15	18	22	30	37	45	55	75
	Rated Speed	r/min	1750	1750	1750	1750	1750	1750	1750	1750
E5-02	Motor Rated Power (for PM Motors)	kW	15.0	18.00	22.00	30.00	37.00	45.00	55.00	75.00
E5-03	Motor Rated Current (for PM Motors)	A	55.4	68.2	80.6	105.2	131.3	153.1	185.4	257.3
E5-04	Number of Motor Poles (for PM Motors)	–	6	6	6	6	6	6	6	6
E5-05	Motor Stator Resistance (r1) (for PM Motors)	Ω	0.066	0.051	0.037	0.030	0.020	0.014	0.012	0.006
E5-06	Motor d-Axis Inductance (Ld) (for PM Motors)	mH	2.45	2.18	1.71	1.35	0.99	0.83	0.79	0.44
E5-07	Motor q-Axis Inductance (Lq) (for PM Motors)	mH	3.11	2.55	2.05	1.82	1.28	1.01	0.97	0.56
E5-09	Motor Induction Voltage Constant 1 (Ke) (for PM Motors)	mVs /rad	248.1	253.6	250.0	280.9	264.2	280.4	311.9	268.0

## B.19 Parameters Changed by Motor Code Selection (for PM Motors)

No.	Name	Unit	Default Settings							
E5-24	Motor Induction Voltage Constant 2 (Ke) (for PM Motors)	mV/(r/min)	0.0	0.0	0.0	0.0	0.0	0.0	0.0	0.0
E1-04	Maximum Output Frequency	Hz	87.5	87.5	87.5	87.5	87.5	87.5	87.5	87.5
E1-05	Maximum Voltage	V	190.0	190.0	190.0	190.0	190.0	190.0	190.0	190.0
E1-06	Base Frequency	Hz	87.5	87.5	87.5	87.5	87.5	87.5	87.5	87.5
E1-09	Minimum Output Frequency	Hz	4.4	4.4	4.4	4.4	4.4	4.4	4.4	4.4
C5-17	Motor Inertia	kgm <sup>2</sup>	0.046	0.55	0.064	0.116	0.140	0.259	0.31	0.42
n5-02	Motor Acceleration Time	s	0.102	0.101	0.098	0.130	0.127	0.193	0.191	0.187

**Table B.21 400 V, 1750 r/min Type Yaskawa SSR1 Series IPM Motor**

No.	Name	Unit	Default Settings							
E5-01	Motor Code Selection (for PM Motors)	–	1232	1233	1235	1236	1238	123A	123B	123D
	Voltage Class	V	400	400	400	400	400	400	400	400
	Rated Power	kW	0.4	0.75	1.5	2.2	3.7	5.5	7.5	11
	Rated Speed	r/min	1750	1750	1750	1750	1750	1750	1750	1750
E5-02	Motor Rated Power (for PM Motors)	kW	0.4	0.75	1.5	2.2	3.7	5.5	7.5	11.0
E5-03	Motor Rated Current (for PM Motors)	A	0.89	1.56	2.81	4.27	7.08	10.31	13.65	20.7
E5-04	Number of Motor Poles (for PM Motors)	–	6	6	6	6	6	6	6	6
E5-05	Motor Stator Resistance (r1) (for PM Motors)	Ω	25.370	9.136	6.010	3.297	1.798	0.982	0.786	0.349
E5-06	Motor d-Axis Inductance (Ld) (for PM Motors)	mH	169.00	92.08	67.71	34.40	32.93	22.7	16.49	13.17
E5-07	Motor q-Axis Inductance (Lq) (for PM Motors)	mH	197.50	119.56	81.71	54.00	37.70	26.80	23.46	15.60
E5-09	Motor Induction Voltage Constant 1 (Ke) (for PM Motors)	mVs/rad	392.6	440.6	478.3	466.3	478.8	478.1	520.0	481.5
E5-24	Motor Induction Voltage Constant 2 (Ke) (for PM Motors)	mV/(r/min)	0.0	0.0	0.0	0.0	0.0	0.0	0.0	0.0
E1-04	Maximum Output Frequency	Hz	87.5	87.5	87.5	87.5	87.5	87.5	87.5	87.5
E1-05	Maximum Voltage	V	380.0	380.0	380.0	380.0	380.0	380.0	380.0	380.0
E1-06	Base Frequency	Hz	87.5	87.5	87.5	87.5	87.5	87.5	87.5	87.5
E1-09	Minimum Output Frequency	Hz	4.4	4.4	4.4	4.4	4.4	4.4	4.4	4.4
C5-17	Motor Inertia	kgm <sup>2</sup>	0.0011	0.0017	0.0023	0.0043	0.0083	0.014	0.017	0.027
n5-02	Motor Acceleration Time	s	0.092	0.076	0.052	0.066	0.075	0.083	0.077	0.084

**Table B.22 400 V, 1750 r/min Type Yaskawa SSR1 Series IPM Motor**

No.	Name	Unit	Default Settings							
E5-01	Motor Code Selection (for PM Motors)	–	123E	123F	1240	1242	1243	1244	1245	1246
	Voltage Class	V	400	400	400	400	400	400	400	400
	Rated Power	kW	15	18	22	30	37	45	55	75
	Rated Speed	r/min	1750	1750	1750	1750	1750	1750	1750	1750
E5-02	Motor Rated Power (for PM Motors)	kW	15	18.50	22.00	30.00	37.00	45.00	55.00	75.00
E5-03	Motor Rated Current (for PM Motors)	A	27.5	33.4	39.8	52.0	65.8	77.5	92.7	126.6
E5-04	Number of Motor Poles (for PM Motors)	–	6	6	6	6	6	6	6	6
E5-05	Motor Stator Resistance (r1) (for PM Motors)	Ω	0.272	0.207	0.148	0.235	0.079	0.054	0.049	0.029

## B.19 Parameters Changed by Motor Code Selection (for PM Motors)

No.	Name	Unit	Default Settings							
E5-06	Motor d-Axis Inductance (Ld) (for PM Motors)	mH	10.30	8.72	6.81	5.4	4.08	3.36	3.16	2.12
E5-07	Motor q-Axis Inductance (Lq) (for PM Motors)	mH	12.77	11.22	8.47	7.26	5.12	3.94	3.88	2.61
E5-09	Motor Induction Voltage Constant 1 (Ke) (for PM Motors)	mVs /rad	498.8	509.5	503.9	561.7	528.5	558.1	623.8	594.5
E5-24	Motor Induction Voltage Constant 2 (Ke) (for PM Motors)	mV/ (r/min)	0.0	0.0	0.0	0.0	0.0	0.0	0.0	0.0
E1-04	Maximum Output Frequency	Hz	87.5	87.5	87.5	87.5	87.5	87.5	87.5	87.5
E1-05	Maximum Voltage	V	380.0	380.0	380.0	380.0	380.0	380.0	380.0	380.0
E1-06	Base Frequency	Hz	87.5	87.5	87.5	87.5	87.5	87.5	87.5	87.5
E1-09	Minimum Output Frequency	Hz	4.4	4.4	4.4	4.4	4.4	4.4	4.4	4.4
C5-17	Motor Inertia	kgm <sup>2</sup>	0.046	0.055	0.064	0.116	0.140	0.259	0.31	0.42
n5-02	Motor Acceleration Time	s	0.102	0.101	0.098	0.130	0.127	0.193	0.191	0.187

**Table B.23 400 V, 1750 r/min Type Yaskawa SSR1 Series IPM Motor**

No.	Name	Unit	Default Settings							
E5-01	Motor Code Selection (for PM Motors)	–	1247	1248	1249	124A	1302	1303	1305	1306
	Voltage Class	V	400	400	400	400	200	200	200	200
	Rated Power	kW	90	110	132	160	0.4	0.75	1.5	2.2
	Rated Speed	r/min	1750	1750	1750	1750	1450	1450	1450	1450
E5-02	Motor Rated Power (for PM Motors)	kW	90.00	110.00	132.00	160.00	0.4	0.75	1.5	2.2
E5-03	Motor Rated Current (for PM Motors)	A	160.4	183.3	222.9	267.7	1.88	3.13	5.63	8.33
E5-04	Number of Motor Poles (for PM Motors)	–	6	6	6	6	6	6	6	6
E5-05	Motor Stator Resistance (r1) (for PM Motors)	Ω	0.019	0.017	0.012	0.008	3.190	1.940	1.206	0.665
E5-06	Motor d-Axis Inductance (Ld) (for PM Motors)	mH	1.54	1.44	1.21	0.97	32.15	26.12	14.72	12.27
E5-07	Motor q-Axis Inductance (Lq) (for PM Motors)	mH	2.06	2.21	1.46	1.28	41.74	34.30	20.15	14.77
E5-09	Motor Induction Voltage Constant 1 (Ke) (for PM Motors)	mVs /rad	524.1	583.7	563.6	601.2	264.3	269.6	284.3	287.1
E5-24	Motor Induction Voltage Constant 2 (Ke) (for PM Motors)	mV/ (r/min)	0.0	0.0	0.0	0.0	0.0	0.0	0.0	0.0
E1-04	Maximum Output Frequency	Hz	87.5	87.5	87.5	87.5	72.5	72.5	72.5	72.5
E1-05	Maximum Voltage	V	380.0	380.0	380.0	380.0	190.0	190.0	190.0	190.0
E1-06	Base Frequency	Hz	87.5	87.5	87.5	87.5	72.5	72.5	72.5	72.5
E1-09	Minimum Output Frequency	Hz	4.4	4.4	4.4	4.4	3.6	3.6	3.6	3.6
C5-17	Motor Inertia	kgm <sup>2</sup>	0.56	0.83	0.96	1.61	0.0017	0.0023	0.0043	0.0083
n5-02	Motor Acceleration Time	s	0.208	0.254	0.243	0.338	0.098	0.071	0.066	0.087

**Table B.24 200 V, 1450 r/min Type Yaskawa SSR1 Series IPM Motor**

No.	Name	Unit	Default Settings							
E5-01	Motor Code Selection (for PM Motors)	–	1308	130A	130B	130D	130E	130F	1310	1312
	Voltage Class	V	200	200	200	200	200	200	200	200
	Rated Power	kW	3.7	5.5	7.5	11	15	18	22	30
	Rated Speed	r/min	1450	1450	1450	1450	1450	1450	1450	1450
E5-02	Motor Rated Power (for PM Motors)	kW	3.7	5.5	7.5	11.0	15.00	18.00	22.00	30.00
E5-03	Motor Rated Current (for PM Motors)	A	14.17	20.63	27.71	39.6	55.5	65.6	75.1	105.2

## B.19 Parameters Changed by Motor Code Selection (for PM Motors)

No.	Name	Unit	Default Settings							
E5-04	Number of Motor Poles (for PM Motors)	–	6	6	6	6	6	6	6	6
E5-05	Motor Stator Resistance (r1) (for PM Motors)	Ω	0.341	0.252	0.184	0.099	0.075	0.057	0.041	0.034
E5-06	Motor d-Axis Inductance (Ld) (for PM Motors)	mH	8.27	6.49	6.91	4.07	3.29	2.53	1.98	1.75
E5-07	Motor q-Axis Inductance (Lq) (for PM Motors)	mH	9.81	7.74	7.66	4.65	3.84	3.01	2.60	2.17
E5-09	Motor Induction Voltage Constant 1 (Ke) (for PM Motors)	mVs /rad	284.5	298.0	335.0	303.9	311.2	300.9	327.7	354.2
E5-24	Motor Induction Voltage Constant 2 (Ke) (for PM Motors)	mV/ (r/min)	0.0	0.0	0.0	0.0	0.0	0.0	0.0	0.0
E1-04	Maximum Output Frequency	Hz	72.5	72.5	72.5	72.5	72.5	72.5	72.5	72.5
E1-05	Maximum Voltage	V	190.0	190.0	190.0	190.0	190.0	190.0	190.0	190.0
E1-06	Base Frequency	Hz	72.5	72.5	72.5	72.5	72.5	72.5	72.5	72.5
E1-09	Minimum Output Frequency	Hz	3.6	3.6	3.6	3.6	3.6	3.6	3.6	3.6
C5-17	Motor Inertia	kgm <sup>2</sup>	0.0136	0.017	0.027	0.046	0.055	0.064	0.116	0.140
n5-02	Motor Acceleration Time	s	0.085	0.072	0.084	0.096	0.085	0.080	0.122	0.108

**Table B.25 200 V, 1450 r/min Type Yaskawa SSR1 Series IPM Motor**

No.	Name	Unit	Default Settings							
E5-01	Motor Code Selection (for PM Motors)	–	1313	1314	1315	1332	1333	1335	1336	1338
	Voltage Class	V	200	200	200	400	400	400	400	400
	Rated Power	kW	37	45	55	0.4	0.75	1.5	2.2	3.7
	Rated Speed	r/min	1450	1450	1450	1450	1450	1450	1450	1450
E5-02	Motor Rated Power (for PM Motors)	kW	37.00	45.00	55.00	0.4	0.75	1.5	2.2	3.7
E5-03	Motor Rated Current (for PM Motors)	A	126.0	153.1	186.5	0.94	1.56	2.81	4.27	6.98
E5-04	Number of Motor Poles (for PM Motors)	–	6	6	6	6	6	6	6	6
E5-05	Motor Stator Resistance (r1) (for PM Motors)	Ω	0.023	0.015	0.012	12.760	7.421	4.825	2.656	1.353
E5-06	Motor d-Axis Inductance (Ld) (for PM Motors)	mH	1.48	1.04	0.87	128.60	85.11	58.87	46.42	31.73
E5-07	Motor q-Axis Inductance (Lq) (for PM Motors)	mH	1.70	1.31	1.10	166.96	113.19	80.59	60.32	40.45
E5-09	Motor Induction Voltage Constant 1 (Ke) (for PM Motors)	mVs /rad	369.6	351.6	374.7	528.6	544.2	568.5	572.8	562.9
E5-24	Motor Induction Voltage Constant 2 (Ke) (for PM Motors)	mV/ (r/min)	0.0	0.0	0.0	0.0	0.0	0.0	0.0	0.0
E1-04	Maximum Output Frequency	Hz	72.5	72.5	72.5	72.5	72.5	72.5	72.5	72.5
E1-05	Maximum Voltage	V	190.0	190.0	190.0	380.0	380.0	380.0	380.0	380.0
E1-06	Base Frequency	Hz	72.5	72.5	72.5	72.5	72.5	72.5	72.5	72.5
E1-09	Minimum Output Frequency	Hz	3.6	3.6	3.6	3.6	3.6	3.6	3.6	3.6
C5-17	Motor Inertia	kgm <sup>2</sup>	0.259	0.312	0.42	0.0017	0.0023	0.0043	0.0083	0.0136
n5-02	Motor Acceleration Time	s	0.161	0.160	0.175	0.098	0.071	0.066	0.087	0.085

**Table B.26 400 V, 1450 r/min Type Yaskawa SSR1 Series IPM Motor**

No.	Name	Unit	Default Settings							
E5-01	Motor Code Selection (for PM Motors)	–	133A	133B	133D	133E	133F	1340	1342	1343
	Voltage Class	V	400	400	400	400	400	400	400	400
	Rated Power	kW	5.5	7.5	11	15	18	22	30	37
	Rated Speed	r/min	1450	1450	1450	1450	1450	1450	1450	1450

## B.19 Parameters Changed by Motor Code Selection (for PM Motors)

No.	Name	Unit	Default Settings							
			5.5	7.5	11.0	15	18.50	22.00	30.00	37.00
E5-02	Motor Rated Power (for PM Motors)	kW	5.5	7.5	11.0	15	18.50	22.00	30.00	37.00
E5-03	Motor Rated Current (for PM Motors)	A	10.21	13.85	19.5	27.4	32.9	37.6	52.5	63.2
E5-04	Number of Motor Poles (for PM Motors)	–	6	6	6	6	6	6	6	6
E5-05	Motor Stator Resistance (r1) (for PM Motors)	Ω	0.999	0.713	0.393	0.295	0.223	0.164	0.137	0.093
E5-06	Motor d-Axis Inductance (Ld) (for PM Motors)	mH	26.20	27.06	15.51	12.65	9.87	7.90	7.01	5.93
E5-07	Motor q-Axis Inductance (Lq) (for PM Motors)	mH	30.94	33.45	19.63	15.87	12.40	10.38	8.68	6.79
E5-09	Motor Induction Voltage Constant 1 (Ke) (for PM Motors)	mVs /rad	587.6	670.1	612.7	624.6	610.4	655.4	708.4	739.2
E5-24	Motor Induction Voltage Constant 2 (Ke) (for PM Motors)	mV/(r/min)	0.0	0.0	0.0	0.0	0.0	0.0	0.0	0.0
E1-04	Maximum Output Frequency	Hz	72.5	72.5	72.5	72.5	72.5	72.5	72.5	72.5
E1-05	Maximum Voltage	V	380.0	380.0	380.0	380.0	380.0	380.0	380.0	380.0
E1-06	Base Frequency	Hz	72.5	72.5	72.5	72.5	72.5	72.5	72.5	72.5
E1-09	Minimum Output Frequency	Hz	3.6	3.6	3.6	3.6	3.6	3.6	3.6	3.6
C5-17	Motor Inertia	kgm <sup>2</sup>	0.017	0.027	0.046	0.055	0.064	0.116	0.140	0.259
n5-02	Motor Acceleration Time	s	0.072	0.084	0.096	0.085	0.080	0.122	0.108	0.161

**Table B.27 400 V, 1450 r/min Type Yaskawa SSR1 Series IPM Motor**

No.	Name	Unit	Default Settings							
			1344	1345	1346	1347	1348	1349	1402	1403
E5-01	Motor Code Selection (for PM Motors)	–	1344	1345	1346	1347	1348	1349	1402	1403
	Voltage Class	V	400	400	400	400	400	400	200	200
	Rated Power	kW	45	55	75	90	110	132	0.4	0.75
	Rated Speed	r/min	1450	1450	1450	1450	1450	1450	1150	1150
E5-02	Motor Rated Power (for PM Motors)	kW	45.00	55.00	75.00	90.00	110.00	132.00	0.4	0.75
E5-03	Motor Rated Current (for PM Motors)	A	76.4	96.1	124.0	153.1	186.5	226.0	1.88	3.02
E5-04	Number of Motor Poles (for PM Motors)	–	6	6	6	6	6	6	6	6
E5-05	Motor Stator Resistance (r1) (for PM Motors)	Ω	0.059	0.048	0.028	0.024	0.015	0.011	4.832	2.704
E5-06	Motor d-Axis Inductance (Ld) (for PM Motors)	mH	4.17	3.11	2.32	2.20	1.45	1.23	48.68	32.31
E5-07	Motor q-Axis Inductance (Lq) (for PM Motors)	mH	5.22	4.55	2.97	3.23	1.88	1.67	63.21	40.24
E5-09	Motor Induction Voltage Constant 1 (Ke) (for PM Motors)	mVs /rad	703.0	747.1	639.3	708.0	640.7	677.0	320.4	327.1
E5-24	Motor Induction Voltage Constant 2 (Ke) (for PM Motors)	mV/(r/min)	0.0	0.0	0.0	0.0	0.0	0.0	0.0	0.0
E1-04	Maximum Output Frequency	Hz	72.5	72.5	72.5	72.5	72.5	72.5	57.5	57.5
E1-05	Maximum Voltage	V	380.0	380.0	380.0	380.0	380.0	380.0	190.0	190.0
E1-06	Base Frequency	Hz	72.5	72.5	72.5	72.5	72.5	72.5	57.5	57.5
E1-09	Minimum Output Frequency	Hz	3.6	3.6	3.6	3.6	3.6	3.6	2.9	2.9
C5-17	Motor Inertia	kgm <sup>2</sup>	0.312	0.42	0.56	0.83	0.96	1.61	0.0017	0.0023
n5-02	Motor Acceleration Time	s	0.160	0.175	0.171	0.213	0.201	0.281	0.062	0.044



## B.19 Parameters Changed by Motor Code Selection (for PM Motors)

**Table B.28 200 V, 1150 r/min Type Yaskawa SSR1 Series IPM Motor**

No.	Name	Unit	Default Settings							
E5-01	Motor Code Selection (for PM Motors)	–	1405	1406	1408	140A	140B	140D	140E	140F
	Voltage Class	V	200	200	200	200	200	200	200	200
	Rated Power	kW	1.5	2.2	3.7	5.5	7.5	11.0	15	18.00
	Rated Speed	r/min	1150	1150	1150	1150	1150	1150	1150	1150
E5-02	Motor Rated Power (for PM Motors)	kW	1.5	2.2	3.7	5.5	7.5	11	15	18.5
E5-03	Motor Rated Current (for PM Motors)	A	6.00	8.85	14.27	20.21	26.67	39.9	55.6	63.5
E5-04	Number of Motor Poles (for PM Motors)	–	6	6	6	6	6	6	6	6
E5-05	Motor Stator Resistance (r1) (for PM Motors)	Ω	1.114	0.511	0.412	0.303	0.165	0.113	0.084	0.066
E5-06	Motor d-Axis Inductance (Ld) (for PM Motors)	mH	19.22	12.15	7.94	11.13	6.59	4.96	3.83	3.33
E5-07	Motor q-Axis Inductance (Lq) (for PM Motors)	mH	24.38	15.35	11.86	14.06	8.55	6.12	4.65	4.5
E5-09	Motor Induction Voltage Constant 1 (Ke) (for PM Motors)	mVs /rad	364.4	344.4	357.5	430.8	391.5	384.4	372.1	421.3
E5-24	Motor Induction Voltage Constant 2 (Ke) (for PM Motors)	mV/(r/min)	0.0	0.0	0.0	0.0	0.0	0.0	0.0	0.0
E1-04	Maximum Output Frequency	Hz	57.5	57.5	57.5	57.5	57.5	57.5	57.5	57.5
E1-05	Maximum Voltage	V	190.0	190.0	190.0	190.0	190.0	190.0	190.0	190.0
E1-06	Base Frequency	Hz	57.5	57.5	57.5	57.5	57.5	57.5	57.5	57.5
E1-09	Minimum Output Frequency	Hz	2.9	2.9	2.9	2.9	2.9	2.9	2.9	2.9
C5-17	Motor Inertia	kgm <sup>2</sup>	0.0083	0.0136	0.0171	0.027	0.046	0.055	0.064	0.116
n5-02	Motor Acceleration Time	s	0.080	0.090	0.067	0.072	0.088	0.073	0.062	0.091

**Table B.29 200 V, 1150 r/min Type Yaskawa SSR1 Series IPM Motor**

No.	Name	Unit	Default Settings							
E5-01	Motor Code Selection (for PM Motors)	–	1410	1412	1413	1414	1432	1433	1435	1436
	Voltage Class	V	200	200	200	200	400	400	400	400
	Rated Power	kW	22.00	30.00	37.00	45.00	0.4	0.75	1.5	2.2
	Rated Speed	r/min	1150	1150	1150	1150	1150	1150	1150	1150
E5-02	Motor Rated Power (for PM Motors)	kW	22	30	37	45	0.4	0.75	1.5	2.2
E5-03	Motor Rated Current (for PM Motors)	A	74.4	104.2	129.6	154.2	0.94	1.51	3.00	4.43
E5-04	Number of Motor Poles (for PM Motors)	–	6	6	6	6	6	6	6	6
E5-05	Motor Stator Resistance (r1) (for PM Motors)	Ω	0.048	0.035	0.023	0.016	19.320	10.800	4.456	2.044
E5-06	Motor d-Axis Inductance (Ld) (for PM Motors)	mH	2.38	2.04	1.53	1.16	194.70	129.20	76.88	48.60
E5-07	Motor q-Axis Inductance (Lq) (for PM Motors)	mH	3.15	2.86	2.27	1.54	252.84	160.90	97.52	61.40
E5-09	Motor Induction Voltage Constant 1 (Ke) (for PM Motors)	mVs /rad	410.9	436.1	428.8	433.3	640.9	654.1	728.8	688.9
E5-24	Motor Induction Voltage Constant 2 (Ke) (for PM Motors)	mV/(r/min)	0.0	0.0	0.0	0.0	0.0	0.0	0.0	0.0
E1-04	Maximum Output Frequency	Hz	57.5	57.5	57.5	57.5	57.5	57.5	57.5	57.5
E1-05	Maximum Voltage	V	190.0	190.0	190.0	190.0	380.0	380.0	380.0	380.0
E1-06	Base Frequency	Hz	57.5	57.5	57.5	57.5	57.5	57.5	57.5	57.5
E1-09	Minimum Output Frequency	Hz	2.9	2.9	2.9	2.9	2.9	2.9	2.9	2.9
C5-17	Motor Inertia	kgm <sup>2</sup>	0.14	0.259	0.312	0.418	0.0017	0.0023	0.0083	0.0136
n5-02	Motor Acceleration Time	s	0.092	0.125	0.122	0.135	0.062	0.044	0.080	0.090



## B.19 Parameters Changed by Motor Code Selection (for PM Motors)

**Table B.30 400 V, 1150 r/min Type Yaskawa SSR1 Series IPM Motor**

No.	Name	Unit	Default Settings							
E5-01	Motor Code Selection (for PM Motors)	–	1438	143A	143B	143D	143E	143F	1440	1442
	Voltage Class	V	400	400	400	400	400	400	400	400
	Rated Power	kW	3.7	5.5	7.5	11	15	18	22	30
	Rated Speed	r/min	1150	1150	1150	1150	1150	1150	1150	1150
E5-02	Motor Rated Power (for PM Motors)	kW	3.7	5.5	7.5	11.0	15	18.50	22.00	30.00
E5-03	Motor Rated Current (for PM Motors)	A	7.08	10.10	13.33	19.9	27.8	31.8	37.2	52.1
E5-04	Number of Motor Poles (for PM Motors)	–	6	6	6	6	6	6	6	6
E5-05	Motor Stator Resistance (r1) (for PM Motors)	Ω	1.483	1.215	0.660	0.443	0.331	0.264	0.192	0.140
E5-06	Motor d-Axis Inductance (Ld) (for PM Motors)	mH	37.58	44.54	26.36	19.10	15.09	13.32	9.52	8.16
E5-07	Motor q-Axis Inductance (Lq) (for PM Motors)	mH	47.65	56.26	34.20	24.67	18.56	18.00	12.60	11.40
E5-09	Motor Induction Voltage Constant 1 (Ke) (for PM Motors)	mVs /rad	702.0	861.5	783.0	762.2	749.6	842.7	821.8	872.3
E5-24	Motor Induction Voltage Constant 2 (Ke) (for PM Motors)	mV/ (r/min)	0.0	0.0	0.0	0.0	0.0	0.0	0.0	0.0
E1-04	Maximum Output Frequency	Hz	57.5	57.5	57.5	57.5	57.5	57.5	57.5	57.5
E1-05	Maximum Voltage	V	380.0	380.0	380.0	380.0	380.0	380.0	380.0	380.0
E1-06	Base Frequency	Hz	57.5	57.5	57.5	57.5	57.5	57.5	57.5	57.5
E1-09	Minimum Output Frequency	Hz	2.9	2.9	2.9	2.9	2.9	2.9	2.9	2.9
C5-17	Motor Inertia	kgm <sup>2</sup>	0.0171	0.027	0.046	0.055	0.064	0.116	0.140	0.259
n5-02	Motor Acceleration Time	s	0.067	0.072	0.088	0.073	0.062	0.091	0.092	0.125

**Table B.31 400 V, 1150 r/min Type Yaskawa SSR1 Series IPM Motor**

No.	Name	Unit	Default Settings						
E5-01	Motor Code Selection (for PM Motors)	–	1443	1444	1445	1446	1447	1448	
	Voltage Class	V	400	400	400	400	400	400	
	Rated Power	kW	37	45	55	75	90	110	
	Rated Speed	r/min	1150	1150	1150	1150	1150	1150	
E5-02	Motor Rated Power (for PM Motors)	kW	37.00	45.00	55.00	75.00	90.00	110.00	
E5-03	Motor Rated Current (for PM Motors)	A	64.8	76.6	92.0	127.1	150.5	185.4	
E5-04	Number of Motor Poles (for PM Motors)	–	6	6	6	6	6	6	
E5-05	Motor Stator Resistance (r1) (for PM Motors)	Ω	0.093	0.063	0.051	0.033	0.027	0.015	
E5-06	Motor d-Axis Inductance (Ld) (for PM Motors)	mH	6.13	4.63	3.96	3.03	2.60	1.89	
E5-07	Motor q-Axis Inductance (Lq) (for PM Motors)	mH	9.10	6.15	5.00	5.14	3.28	2.33	
E5-09	Motor Induction Voltage Constant 1 (Ke) (for PM Motors)	mVs /rad	857.7	866.6	854.0	823.1	853.4	829.2	
E5-24	Motor Induction Voltage Constant 2 (Ke) (for PM Motors)	mV/ (r/min)	0.0	0.0	0.0	0.0	0.0	0.0	
E1-04	Maximum Output Frequency	Hz	57.5	57.5	57.5	57.5	57.5	57.5	
E1-05	Maximum Voltage	V	380.0	380.0	380.0	380.0	380.0	380.0	
E1-06	Base Frequency	Hz	57.5	57.5	57.5	57.5	57.5	57.5	
E1-09	Minimum Output Frequency	Hz	2.9	2.9	2.9	2.9	2.9	2.9	
C5-17	Motor Inertia	kgm <sup>2</sup>	0.312	0.418	0.56	0.83	0.96	1.61	

## B.19 Parameters Changed by Motor Code Selection (for PM Motors)

No.	Name	Unit	Default Settings					
n5-02	Motor Acceleration Time	s	0.122	0.135	0.147	0.161	0.154	0.212

### ◆ Yaskawa SST4 Series IPM Motor (For Constant Torque)

Table B.32 200 V, 1750 r/min Type Yaskawa SST4 Series IPM Motor

No.	Name	Unit	Default Settings							
E5-01	Motor Code Selection (for PM Motors)	-	2202	2203	2205	2206	2208	220A	220B	220D
	Voltage Class	V	200	200	200	200	200	200	200	200
	Rated Power	kW	0.4	0.75	1.5	2.2	3.7	5.5	7.5	11
	Rated Speed	r/min	1750	1750	1750	1750	1750	1750	1750	1750
E5-02	Motor Rated Power (for PM Motors)	kW	0.4	0.75	1.5	2.2	3.7	5.5	7.5	11.0
E5-03	Motor Rated Current (for PM Motors)	A	1.77	3.54	6.56	8.96	14.79	20.94	29.58	41.1
E5-04	Number of Motor Poles (for PM Motors)	-	6	6	6	6	6	6	6	6
E5-05	Motor Stator Resistance (r1) (for PM Motors)	Ω	2.247	1.132	0.774	0.479	0.242	0.275	0.161	0.111
E5-06	Motor d-Axis Inductance (Ld) (for PM Motors)	mH	22.32	12.38	8.90	7.39	5.06	5.82	3.86	3.59
E5-07	Motor q-Axis Inductance (Lq) (for PM Motors)	mH	32.50	15.72	11.96	9.63	6.42	6.74	4.66	4.32
E5-09	Motor Induction Voltage Constant 1 (Ke) (for PM Motors)	mVs /rad	215.2	203.9	219.3	230.6	235.1	251.7	235.7	252.0
E5-24	Motor Induction Voltage Constant 2 (Ke) (for PM Motors)	mV/ (r/min)	0.0	0.0	0.0	0.0	0.0	0.0	0.0	0.0
E1-04	Maximum Output Frequency	Hz	87.5	87.5	87.5	87.5	87.5	87.5	87.5	87.5
E1-05	Maximum Voltage	V	190.0	190.0	190.0	190.0	190.0	190.0	190.0	190.0
E1-06	Base Frequency	Hz	87.5	87.5	87.5	87.5	87.5	87.5	87.5	87.5
E1-09	Minimum Output Frequency	Hz	4.4	4.4	4.4	4.4	4.4	4.4	4.4	4.4
C5-17	Motor Inertia	kgm <sup>2</sup>	0.0016	0.0022	0.0042	0.0081	0.0133	0.013	0.017	0.027
n5-02	Motor Acceleration Time	s	0.134	0.099	0.094	0.124	0.121	0.081	0.075	0.082
n8-49	d-Axis Current for High Efficiency Control (for PM Motors) (OLV/PM)	%	-9.3	-6.4	-10.0	-9.9	-9.7	-8.4	-11.5	-13.1

Table B.33 200 V, 1750 r/min Type Yaskawa SST4 Series IPM Motor

No.	Name	Unit	Default Settings							
E5-01	Motor Code Selection (for PM Motors)	-	220E	220F	2210	2212	2213	2214	2215	2216
	Voltage Class	V	200	200	200	200	200	200	200	200
	Rated Power	kW	15	18	22	30	37	45	55	75
	Rated Speed	r/min	1750	1750	1750	1750	1750	1750	1750	1750
E5-02	Motor Rated Power (for PM Motors)	kW	15	18.50	22.00	30.00	37.00	45.00	55.00	75.00
E5-03	Motor Rated Current (for PM Motors)	A	54.2	68.2	78.6	104.2	129.2	153.1	205.2	260.4
E5-04	Number of Motor Poles (for PM Motors)	-	6	6	6	6	6	6	6	6
E5-05	Motor Stator Resistance (r1) (for PM Motors)	Ω	0.071	0.049	0.040	0.030	0.020	0.013	0.009	0.006
E5-06	Motor d-Axis Inductance (Ld) (for PM Motors)	mH	2.67	1.98	1.69	1.31	0.88	0.77	0.55	0.40
E5-07	Motor q-Axis Inductance (Lq) (for PM Motors)	mH	3.1	2.41	2.12	1.61	1.14	1.04	0.69	0.50
E5-09	Motor Induction Voltage Constant 1 (Ke) (for PM Motors)	mVs /rad	253.7	244.6	256.3	283.1	266.3	260	261.5	259.3
E5-24	Motor Induction Voltage Constant 2 (Ke) (for PM Motors)	mV/ (r/min)	0.0	0.0	0.0	0.0	0.0	0.0	0.0	0.0

## B.19 Parameters Changed by Motor Code Selection (for PM Motors)

No.	Name	Unit	Default Settings							
E1-04	Maximum Output Frequency	Hz	87.5	87.5	87.5	87.5	87.5	87.5	87.5	87.5
E1-05	Maximum Voltage	V	190.0	190.0	190.0	190.0	190.0	190.0	190.0	190.0
E1-06	Base Frequency	Hz	87.5	87.5	87.5	87.5	87.5	87.5	87.5	87.5
E1-09	Minimum Output Frequency	Hz	4.4	4.4	4.4	4.4	4.4	4.4	4.4	4.4
C5-17	Motor Inertia	kgm <sup>2</sup>	0.044	0.054	0.063	0.113	0.137	0.252	0.30	0.41
n5-02	Motor Acceleration Time	s	0.099	0.098	0.096	0.127	0.124	0.188	0.186	0.184
n8-49	d-Axis Current for High Efficiency Control (for PM Motors) (OLV/PM)	%	-10.9	-14.3	-15.1	-11.3	-14.1	-18.8	-11.4	-12.2

**Table B.34 400 V, 1750 r/min Type Yaskawa SST4 Series IPM Motor**

No.	Name	Unit	Default Settings							
E5-01	Motor Code Selection (for PM Motors)	-	2232	2233	2235	2236	2238	223A	223B	223D
	Voltage Class	V	400	400	400	400	400	400	400	400
	Rated Power	kW	0.4	0.75	1.5	2.2	3.7	5.5	7.5	11
	Rated Speed	r/min	1750	1750	1750	1750	1750	1750	1750	1750
E5-02	Motor Rated Power (for PM Motors)	kW	0.4	0.75	1.5	2.2	3.7	5.5	7.5	11.0
E5-03	Motor Rated Current (for PM Motors)	A	0.92	1.77	3.33	4.48	7.50	10.42	14.27	20.5
E5-04	Number of Motor Poles (for PM Motors)	-	6	6	6	6	6	6	6	6
E5-05	Motor Stator Resistance (r1) (for PM Motors)	Ω	8.935	4.570	3.096	1.906	0.972	1.103	0.630	0.429
E5-06	Motor d-Axis Inductance (Ld) (for PM Motors)	mH	80.14	48.04	35.60	30.31	20.03	23.41	14.86	14.34
E5-07	Motor q-Axis Inductance (Lq) (for PM Motors)	mH	110.76	64.88	47.84	38.36	24.97	28.70	17.25	17.25
E5-09	Motor Induction Voltage Constant 1 (Ke) (for PM Motors)	mVs /rad	416.5	399.4	438.5	475.5	463.7	485.8	470.4	513.4
E5-24	Motor Induction Voltage Constant 2 (Ke) (for PM Motors)	mV/ (r/min)	0.0	0.0	0.0	0.0	0.0	0.0	0.0	0.0
E1-04	Maximum Output Frequency	Hz	87.5	87.5	87.5	87.5	87.5	87.5	87.5	87.5
E1-05	Maximum Voltage	V	380.0	380.0	380.0	380.0	380.0	380.0	380.0	380.0
E1-06	Base Frequency	Hz	87.5	87.5	87.5	87.5	87.5	87.5	87.5	87.5
E1-09	Minimum Output Frequency	Hz	4.4	4.4	4.4	4.4	4.4	4.4	4.4	4.4
C5-17	Motor Inertia	kgm <sup>2</sup>	0.0016	0.0022	0.0042	0.0081	0.0133	0.013	0.017	0.027
n5-02	Motor Acceleration Time	s	0.134	0.099	0.094	0.124	0.121	0.081	0.075	0.082
n8-49	d-Axis Current for High Efficiency Control (for PM Motors) (OLV/PM)	%	-7.5	-8.5	-9.8	-8.2	-9.1	-13.1	-9.2	-12.4

**Table B.35 400 V, 1750 r/min Type Yaskawa SST4 Series IPM Motor**

No.	Name	Unit	Default Settings							
E5-01	Motor Code Selection (for PM Motors)	-	223E	223F	2240	2242	2243	2244	2245	2246
	Voltage Class	V	400	400	400	400	400	400	400	400
	Rated Power	kW	15	18	22	30	37	45	55	75
	Rated Speed	r/min	1750	1750	1750	1750	1750	1750	1750	1750
E5-02	Motor Rated Power (for PM Motors)	kW	15	18.50	22.00	30.00	37.00	45.00	55.00	75.00
E5-03	Motor Rated Current (for PM Motors)	A	26.4	34.2	38.8	52.2	65.4	77.6	99.3	130.2
E5-04	Number of Motor Poles (for PM Motors)	-	6	6	6	6	6	6	6	6
E5-05	Motor Stator Resistance (r1) (for PM Motors)	Ω	0.275	0.196	0.160	0.120	0.077	0.052	0.036	0.023

## B.19 Parameters Changed by Motor Code Selection (for PM Motors)

No.	Name	Unit	Default Settings							
E5-06	Motor d-Axis Inductance (Ld) (for PM Motors)	mH	9.99	7.92	6.82	5.24	3.57	2.98	1.59	1.59
E5-07	Motor q-Axis Inductance (Lq) (for PM Motors)	mH	12.37	9.64	8.51	6.44	4.65	3.75	2.78	1.97
E5-09	Motor Induction Voltage Constant 1 (Ke) (for PM Motors)	mVs /rad	505.3	489.2	509.5	566.2	531.6	530.6	515.2	515.2
E5-24	Motor Induction Voltage Constant 2 (Ke) (for PM Motors)	mV/ (r/min)	0.0	0.0	0.0	0.0	0.0	0.0	0.0	0.0
E1-04	Maximum Output Frequency	Hz	87.5	87.5	87.5	87.5	87.5	87.5	87.5	87.5
E1-05	Maximum Voltage	V	380.0	380.0	380.0	380.0	380.0	380.0	380.0	380.0
E1-06	Base Frequency	Hz	87.5	87.5	87.5	87.5	87.5	87.5	87.5	87.5
E1-09	Minimum Output Frequency	Hz	4.4	4.4	4.4	4.4	4.4	4.4	4.4	4.4
C5-17	Motor Inertia	kgm <sup>2</sup>	0.044	0.054	0.063	0.113	0.137	0.252	0.30	0.41
n5-02	Motor Acceleration Time	s	0.099	0.098	0.096	0.127	0.124	0.188	0.186	0.184
n8-49	d-Axis Current for High Efficiency Control (for PM Motors) (OLV/PM)	%	-15.1	-14.3	-15.3	-11.3	-14.5	-13.2	-22.6	-11.9

**Table B.36 400 V, 1750 r/min Type Yaskawa SST4 Series IPM Motor**

No.	Name	Unit	Default Settings							
E5-01	Motor Code Selection (for PM Motors)	-	2247	2248	2249	224A	224C	224D	224E	2302
	Voltage Class	V	400	400	400	400	400	400	400	200
	Rated Power	kW	90.00	110	132	160	200	220	300	0.4
	Rated Speed	r/min	1750	1750	1750	1750	1750	1750	1750	1450
E5-02	Motor Rated Power (for PM Motors)	kW	90.00	110.00	132.00	160.00	200.00	250.00	300.00	0.4
E5-03	Motor Rated Current (for PM Motors)	A	153.1	184.4	229.2	269.8	346.9	421.9	520.8	1.77
E5-04	Number of Motor Poles (for PM Motors)	-	6	6	6	6	6	6	6	6
E5-05	Motor Stator Resistance (r1) (for PM Motors)	Ω	0.019	0.017	0.012	0.008	0.005	0.004	0.002	3.154
E5-06	Motor d-Axis Inductance (Ld) (for PM Motors)	mH	1.51	1.43	1.13	0.96	0.65	0.67	0.40	28.46
E5-07	Motor q-Axis Inductance (Lq) (for PM Motors)	mH	1.76	1.92	1.54	1.26	0.88	0.74	0.52	39.29
E5-09	Motor Induction Voltage Constant 1 (Ke) (for PM Motors)	mVs /rad	538.3	590.9	548.2	603.9	556.8	593.1	495.4	268.8
E5-24	Motor Induction Voltage Constant 2 (Ke) (for PM Motors)	mV/ (r/min)	0.0	0.0	0.0	0.0	0.0	0.0	0.0	0.0
E1-04	Maximum Output Frequency	Hz	87.5	87.5	87.5	87.5	87.5	87.5	87.5	72.5
E1-05	Maximum Voltage	V	380.0	380.0	380.0	380.0	380.0	380.0	380.0	190.0
E1-06	Base Frequency	Hz	87.5	87.5	87.5	87.5	87.5	87.5	87.5	72.5
E1-09	Minimum Output Frequency	Hz	4.4	4.4	4.4	4.4	4.4	4.4	4.4	3.6
C5-17	Motor Inertia	kgm <sup>2</sup>	0.55	0.82	0.96	1.60	1.95	2.82	3.70	0.0016
n5-02	Motor Acceleration Time	s	0.205	0.250	0.244	0.336	0.327	0.379	0.414	0.092
n8-49	d-Axis Current for High Efficiency Control (for PM Motors) (OLV/PM)	%	-8.6	-14.8	-17.5	-12.5	-14.7	-5.1	-16.3	-7.5

## B.19 Parameters Changed by Motor Code Selection (for PM Motors)

**Table B.37 200 V, 1450 r/min Type Yaskawa SST4 Series IPM Motor**

No.	Name	Unit	Default Settings							
E5-01	Motor Code Selection (for PM Motors)	–	2302	2303	2305	2306	2308	230A	230B	230D
	Voltage Class	V	200	200	200	200	200	200	200	200
	Rated Power	kW	0.4	0.75	1.5	2.2	3.7	5.5	7.5	11
	Rated Speed	r/min	1450	1450	1450	1450	1450	1450	1450	1450
E5-02	Motor Rated Power (for PM Motors)	kW	0.4	0.75	1.5	2.2	3.7	5.5	7.5	11.0
E5-03	Motor Rated Current (for PM Motors)	A	1.77	3.33	5.94	9.48	14.17	20.42	27.92	39.6
E5-04	Number of Motor Poles (for PM Motors)	–	6	6	6	6	6	6	6	6
E5-05	Motor Stator Resistance (r1) (for PM Motors)	Ω	3.154	1.835	0.681	0.308	0.405	0.278	0.180	0.098
E5-06	Motor d-Axis Inductance (Ld) (for PM Motors)	mH	28.46	19.46	10.00	6.88	8.15	5.77	6.32	3.34
E5-07	Motor q-Axis Inductance (Lq) (for PM Motors)	mH	39.29	25.89	15.20	9.25	10.76	8.60	8.80	4.61
E5-09	Motor Induction Voltage Constant 1 (Ke) (for PM Motors)	mVs /rad	268.8	256.9	271.9	260.2	286.8	314.9	300.8	292.3
E5-24	Motor Induction Voltage Constant 2 (Ke) (for PM Motors)	mV/ (r/min)	0.0	0.0	0.0	0.0	0.0	0.0	0.0	0.0
E1-04	Maximum Output Frequency	Hz	72.5	72.5	72.5	72.5	72.5	72.5	72.5	72.5
E1-05	Maximum Voltage	V	190.0	190.0	190.0	190.0	190.0	190.0	190.0	190.0
E1-06	Base Frequency	Hz	72.5	72.5	72.5	72.5	72.5	72.5	72.5	72.5
E1-09	Minimum Output Frequency	Hz	3.6	3.6	3.6	3.6	3.6	3.6	3.6	3.6
C5-17	Motor Inertia	kgm <sup>2</sup>	0.0016	0.0022	0.0081	0.0133	0.0133	0.017	0.027	0.044
n5-02	Motor Acceleration Time	s	0.092	0.068	0.125	0.139	0.083	0.070	0.082	0.092
n8-49	d-Axis Current for High Efficiency Control (for PM Motors) (OLV/PM)	%	-7.5	-9.4	-13.9	-10.0	-15.0	-17.9	-22.7	-20.5

**Table B.38 200 V, 1450 r/min Type Yaskawa SST4 Series IPM Motor**

No.	Name	Unit	Default Settings							
E5-01	Motor Code Selection (for PM Motors)	–	230E	230F	2310	2312	2313	2314	2315	2316
	Voltage Class	V	200	200	200	200	200	200	200	200
	Rated Power	kW	15	18	22	30	37	45	55	75
	Rated Speed	r/min	1450	1450	1450	1450	1450	1450	1450	1450
E5-02	Motor Rated Power (for PM Motors)	kW	15.0	18.50	22.00	30.00	37.00	45.00	55.00	75.00
E5-03	Motor Rated Current (for PM Motors)	A	54.2	68.3	75.2	102.0	131.3	160.4	191.7	257.3
E5-04	Number of Motor Poles (for PM Motors)	–	6	6	6	6	6	6	6	6
E5-05	Motor Stator Resistance (r1) (for PM Motors)	Ω	0.073	0.055	0.048	0.034	0.023	0.016	0.012	0.007
E5-06	Motor d-Axis Inductance (Ld) (for PM Motors)	mH	2.94	2.23	2.08	1.67	1.39	0.94	0.82	0.56
E5-07	Motor q-Axis Inductance (Lq) (for PM Motors)	mH	3.65	2.85	2.66	2.04	1.73	1.22	1.06	0.76
E5-09	Motor Induction Voltage Constant 1 (Ke) (for PM Motors)	mVs /rad	305.1	297.6	355.8	355.4	324.0	302.4	337.2	323.4
E5-24	Motor Induction Voltage Constant 2 (Ke) (for PM Motors)	mV/ (r/min)	0.0	0.0	0.0	0.0	0.0	0.0	0.0	0.0
E1-04	Maximum Output Frequency	Hz	72.5	72.5	72.5	72.5	72.5	72.5	72.5	72.5
E1-05	Maximum Voltage	V	190.0	190.0	190.0	190.0	190.0	190.0	190.0	190.0
E1-06	Base Frequency	Hz	72.5	72.5	72.5	72.5	72.5	72.5	72.5	72.5
E1-09	Minimum Output Frequency	Hz	3.6	3.6	3.6	3.6	3.6	3.6	3.6	3.6

## B.19 Parameters Changed by Motor Code Selection (for PM Motors)

No.	Name	Unit	Default Settings							
			0.054	0.063	0.113	0.137	0.252	0.304	0.41	0.55
C5-17	Motor Inertia	kgm <sup>2</sup>	0.054	0.063	0.113	0.137	0.252	0.304	0.41	0.55
n5-02	Motor Acceleration Time	s	0.083	0.079	0.118	0.105	0.157	0.156	0.172	0.169
n8-49	d-Axis Current for High Efficiency Control (for PM Motors) (OLV/PM)	%	-14.6	-16.4	-11.8	-10.5	-14.5	-17.4	-13.9	-17.5

**Table B.39 400 V, 1450 r/min Type Yaskawa SST4 Series IPM Motor**

No.	Name	Unit	Default Settings							
			2332	2333	2335	2336	2338	233A	233B	233D
E5-01	Motor Code Selection (for PM Motors)	-	2332	2333	2335	2336	2338	233A	233B	233D
	Voltage Class	V	400	400	400	400	400	400	400	400
	Rated Power	kW	0.4	0.75	1.5	2.2	3.7	5.5	7.5	11
	Rated Speed	r/min	1450	1450	1450	1450	1450	1450	1450	1450
E5-02	Motor Rated Power (for PM Motors)	kW	0.4	0.75	1.5	2.2	3.7	5.5	7.5	11.0
E5-03	Motor Rated Current (for PM Motors)	A	0.91	1.67	3.02	4.74	7.08	10.21	13.96	20.5
E5-04	Number of Motor Poles (for PM Motors)	-	6	6	6	6	6	6	6	6
E5-05	Motor Stator Resistance (r1) (for PM Motors)	Ω	12.616	7.340	2.724	1.232	1.509	1.112	0.720	0.393
E5-06	Motor d-Axis Inductance (Ld) (for PM Motors)	mH	113.84	77.84	40.00	27.52	31.73	23.09	25.28	13.36
E5-07	Motor q-Axis Inductance (Lq) (for PM Motors)	mH	157.16	103.56	60.80	37.00	40.88	34.39	35.20	18.44
E5-09	Motor Induction Voltage Constant 1 (Ke) (for PM Motors)	mVs /rad	490.8	513.8	543.7	520.3	580.8	602.7	601.5	584.6
E5-24	Motor Induction Voltage Constant 2 (Ke) (for PM Motors)	mV/ (r/min)	0.0	0.0	0.0	0.0	0.0	0.0	0.0	0.0
E1-04	Maximum Output Frequency	Hz	72.5	72.5	72.5	72.5	72.5	72.5	72.5	72.5
E1-05	Maximum Voltage	V	380.0	380.0	380.0	380.0	380.0	380.0	380.0	380.0
E1-06	Base Frequency	Hz	72.5	72.5	72.5	72.5	72.5	72.5	72.5	72.5
E1-09	Minimum Output Frequency	Hz	3.6	3.6	3.6	3.6	3.6	3.6	3.6	3.6
C5-17	Motor Inertia	kgm <sup>2</sup>	0.0016	0.0022	0.0081	0.0133	0.0133	0.017	0.027	0.044
n5-02	Motor Acceleration Time	s	0.092	0.068	0.125	0.139	0.083	0.070	0.082	0.092
n8-49	d-Axis Current for High Efficiency Control (for PM Motors) (OLV/PM)	%	-9.5	-9.4	-13.7	-10.0	-12.9	-19.9	-22.8	-19.8

**Table B.40 400 V, 1450 r/min Type Yaskawa SST4 Series IPM Motor**

No.	Name	Unit	Default Settings							
			233E	233F	2340	2342	2343	2344	2345	2346
E5-01	Motor Code Selection (for PM Motors)	-	233E	233F	2340	2342	2343	2344	2345	2346
	Voltage Class	V	400	400	400	400	400	400	400	400
	Rated Power	kW	15	18	22	30	37	45	55	75
	Rated Speed	r/min	1450	1450	1450	1450	1450	1450	1450	1450
E5-02	Motor Rated Power (for PM Motors)	kW	15	18.50	22.00	30.00	37.00	45.00	55.00	75.00
E5-03	Motor Rated Current (for PM Motors)	A	27.1	34.2	37.6	50.9	65.4	80.2	96.1	129.2
E5-04	Number of Motor Poles (for PM Motors)	-	6	6	6	6	6	6	6	6
E5-05	Motor Stator Resistance (r1) (for PM Motors)	Ω	0.291	0.220	0.192	0.136	0.091	0.064	0.048	0.028
E5-06	Motor d-Axis Inductance (Ld) (for PM Motors)	mH	11.77	8.94	8.32	6.68	5.30	3.76	3.09	2.24
E5-07	Motor q-Axis Inductance (Lq) (for PM Motors)	mH	14.60	11.40	10.64	8.16	6.80	4.88	4.75	3.03

## B.19 Parameters Changed by Motor Code Selection (for PM Motors)

No.	Name	Unit	Default Settings							
E5-09	Motor Induction Voltage Constant 1 (Ke) (for PM Motors)	mVs /rad	610.3	595.2	711.6	710.8	652.7	604.8	669.1	646.8
E5-24	Motor Induction Voltage Constant 2 (Ke) (for PM Motors)	mV/(r/min)	0.0	0.0	0.0	0.0	0.0	0.0	0.0	0.0
E1-04	Maximum Output Frequency	Hz	72.5	72.5	72.5	72.5	72.5	72.5	72.5	72.5
E1-05	Maximum Voltage	V	380.0	380.0	380.0	380.0	380.0	380.0	380.0	380.0
E1-06	Base Frequency	Hz	72.5	72.5	72.5	72.5	72.5	72.5	72.5	72.5
E1-09	Minimum Output Frequency	Hz	3.6	3.6	3.6	3.6	3.6	3.6	3.6	3.6
C5-17	Motor Inertia	kgm <sup>2</sup>	0.054	0.063	0.113	0.137	0.252	0.304	0.41	0.55
n5-02	Motor Acceleration Time	s	0.083	0.079	0.118	0.105	0.157	0.156	0.172	0.169
n8-49	d-Axis Current for High Efficiency Control (for PM Motors) (OLV/PM)	%	-14.5	-16.1	-11.8	-10.5	-15.6	-17.4	-21.7	-17.3

**Table B.41 400 V, 1450 r/min Type Yaskawa SST4 Series IPM Motor**

No.	Name	Unit	Default Settings							
E5-01	Motor Code Selection (for PM Motors)	-	2347	2348	2349	234A	234C	234D		
	Voltage Class	V	400	400	400	400	400	400	400	400
	Rated Power	kW	90	110	132	160	200	250		
	Rated Speed	r/min	1450	1450	1450	1450	1450	1450	1450	1450
E5-02	Motor Rated Power (for PM Motors)	kW	90.00	110.00	132.00	160.00	200.00	250.00		
E5-03	Motor Rated Current (for PM Motors)	A	153.1	191.7	226.0	268.8	331.3	422.9		
E5-04	Number of Motor Poles (for PM Motors)	-	6	6	6	6	6	6	6	6
E5-05	Motor Stator Resistance (r1) (for PM Motors)	Ω	0.024	0.015	0.011	0.007	0.006	0.003		
E5-06	Motor d-Axis Inductance (Ld) (for PM Motors)	mH	2.20	1.34	1.23	0.92	0.84	0.61		
E5-07	Motor q-Axis Inductance (Lq) (for PM Motors)	mH	3.23	2.16	1.67	1.30	1.25	0.89		
E5-09	Motor Induction Voltage Constant 1 (Ke) (for PM Motors)	mVs /rad	708.0	637.8	677.0	661.7	687.1	655.9		
E5-24	Motor Induction Voltage Constant 2 (Ke) (for PM Motors)	mV/(r/min)	0.0	0.0	0.0	0.0	0.0	0.0		
E1-04	Maximum Output Frequency	Hz	72.5	72.5	72.5	72.5	72.5	72.5	72.5	72.5
E1-05	Maximum Voltage	V	380.0	380.0	380.0	380.0	380.0	380.0	380.0	380.0
E1-06	Base Frequency	Hz	72.5	72.5	72.5	72.5	72.5	72.5	72.5	72.5
E1-09	Minimum Output Frequency	Hz	3.6	3.6	3.6	3.6	3.6	3.6	3.6	3.6
C5-17	Motor Inertia	kgm <sup>2</sup>	0.82	0.96	1.60	1.95	2.82	3.70		
n5-02	Motor Acceleration Time	s	0.210	0.201	0.279	0.281	0.325	0.341		
n8-49	d-Axis Current for High Efficiency Control (for PM Motors) (OLV/PM)	%	-19.6	-24.1	-15.1	-17.0	-19.8	-19.3		

**Table B.42 200 V, 1150 r/min Type Yaskawa SST4 Series IPM Motor**

No.	Name	Unit	Default Settings							
E5-01	Motor Code Selection (for PM Motors)	-	2402	2403	2405	2406	2408	240A	240B	240D
	Voltage Class	V	200	200	200	200	200	200	200	200
	Rated Power	kW	0.4	0.75	1.5	2.2	3.7	5.5	7.5	11
	Rated Speed	r/min	1150	1150	1150	1150	1150	1150	1150	1150
E5-02	Motor Rated Power (for PM Motors)	kW	0.4	0.75	1.5	2.2	3.7	5.5	7.5	11.0
E5-03	Motor Rated Current (for PM Motors)	A	1.77	3.44	5.94	9.17	14.79	20.21	27.40	39.0
E5-04	Number of Motor Poles (for PM Motors)	-	6	6	6	6	6	6	6	6
E5-05	Motor Stator Resistance (r1) (for PM Motors)	Ω	2.680	1.520	1.071	0.542	0.362	0.295	0.162	0.115



## B.19 Parameters Changed by Motor Code Selection (for PM Motors)

No.	Name	Unit	Default Settings							
E5-06	Motor d-Axis Inductance (Ld) (for PM Motors)	mH	30.55	15.29	17.48	11.98	8.60	9.54	5.31	4.44
E5-07	Motor q-Axis Inductance (Lq) (for PM Motors)	mH	42.71	24.28	22.51	15.51	10.69	13.84	8.26	5.68
E5-09	Motor Induction Voltage Constant 1 (Ke) (for PM Motors)	mVs /rad	313.1	313.1	345.3	342.9	363.8	384.3	379.9	370.2
E5-24	Motor Induction Voltage Constant 2 (Ke) (for PM Motors)	mV/(r/min)	0.0	0.0	0.0	0.0	0.0	0.0	0.0	0.0
E1-04	Maximum Output Frequency	Hz	57.5	57.5	57.5	57.5	57.5	57.5	57.5	57.5
E1-05	Maximum Voltage	V	190.0	190.0	190.0	190.0	190.0	190.0	190.0	190.0
E1-06	Base Frequency	Hz	57.5	57.5	57.5	57.5	57.5	57.5	57.5	57.5
E1-09	Minimum Output Frequency	Hz	2.9	2.9	2.9	2.9	2.9	2.9	2.9	2.9
C5-17	Motor Inertia	kgm <sup>2</sup>	0.0022	0.0042	0.0081	0.0133	0.0168	0.027	0.044	0.054
n5-02	Motor Acceleration Time	s	0.080	0.081	0.078	0.088	0.066	0.070	0.085	0.071
n8-49	d-Axis Current for High Efficiency Control (for PM Motors) (OLV/PM)	%	-8.4	-11.0	-10.7	-10.7	-9.4	-22.5	-22.2	-16.7

**Table B.43 200 V, 1150 r/min Type Yaskawa SST4 Series IPM Motor**

No.	Name	Unit	Default Settings							
E5-01	Motor Code Selection (for PM Motors)	–	240E	240F	2410	2412	2413	2414	2415	2416
	Voltage Class	V	200	200	200	200	200	200	200	200
	Rated Power	kW	15	18	22	30	37	45	55	75
	Rated Speed	r/min	1150	1150	1150	1150	1150	1150	1150	1150
E5-02	Motor Rated Power (for PM Motors)	kW	15	18.50	22.00	30.00	37.00	45.00	55.00	75.00
E5-03	Motor Rated Current (for PM Motors)	A	55.9	65.4	77.0	103.5	126.0	153.1	188.5	260.4
E5-04	Number of Motor Poles (for PM Motors)	–	6	6	6	6	6	6	6	6
E5-05	Motor Stator Resistance (r1) (for PM Motors)	Ω	0.083	0.065	0.052	0.035	0.026	0.019	0.013	0.009
E5-06	Motor d-Axis Inductance (Ld) (for PM Motors)	mH	3.50	2.92	2.55	2.03	1.59	1.24	0.98	0.70
E5-07	Motor q-Axis Inductance (Lq) (for PM Motors)	mH	4.23	3.79	3.22	2.46	1.92	1.64	1.37	0.97
E5-09	Motor Induction Voltage Constant 1 (Ke) (for PM Motors)	mVs /rad	364.5	404.5	445.1	444.4	447.3	470.8	422.4	418.3
E5-24	Motor Induction Voltage Constant 2 (Ke) (for PM Motors)	mV/(r/min)	0.0	0.0	0.0	0.0	0.0	0.0	0.0	0.0
E1-04	Maximum Output Frequency	Hz	57.5	57.5	57.5	57.5	57.5	57.5	57.5	57.5
E1-05	Maximum Voltage	V	190.0	190.0	190.0	190.0	190.0	190.0	190.0	190.0
E1-06	Base Frequency	Hz	57.5	57.5	57.5	57.5	57.5	57.5	57.5	57.5
E1-09	Minimum Output Frequency	Hz	2.9	2.9	2.9	2.9	2.9	2.9	2.9	2.9
C5-17	Motor Inertia	kgm <sup>2</sup>	0.063	0.113	0.137	0.252	0.304	0.410	0.55	0.82
n5-02	Motor Acceleration Time	s	0.061	0.089	0.090	0.122	0.119	0.132	0.145	0.159
n8-49	d-Axis Current for High Efficiency Control (for PM Motors) (OLV/PM)	%	-13.7	-15.2	-10.9	-9.8	-9.3	-11.5	-17.7	-17.1

**Table B.44 400 V, 1150 r/min Type Yaskawa SST4 Series IPM Motor**

No.	Name	Unit	Default Settings						
E5-01	Motor Code Selection (for PM Motors)	–	2432	2433	2435	2436	2438	243A	243B
	Voltage Class	V	400	400	400	400	400	400	400
	Rated Power	kW	0.4	0.75	1.5	2.2	3.7	5.5	7.5
	Rated Speed	r/min	1150	1150	1150	1150	1150	1150	1150
E5-02	Motor Rated Power (for PM Motors)	kW	0.4	0.75	1.5	2.2	3.7	5.5	7.5
E5-03	Motor Rated Current (for PM Motors)	A	0.89	1.72	3.02	4.58	7.40	10.21	13.75



## B.19 Parameters Changed by Motor Code Selection (for PM Motors)

No.	Name	Unit	Default Settings						
E5-04	Number of Motor Poles (for PM Motors)	–	6	6	6	6	6	6	6
E5-05	Motor Stator Resistance (r1) (for PM Motors)	Ω	10.720	6.080	4.336	2.143	1.428	1.199	0.648
E5-06	Motor d-Axis Inductance (Ld) (for PM Motors)	mH	122.20	61.16	70.24	46.20	33.87	41.67	21.24
E5-07	Motor q-Axis Inductance (Lq) (for PM Motors)	mH	170.80	97.12	90.04	60.28	42.98	69.15	33.04
E5-09	Motor Induction Voltage Constant 1 (Ke) (for PM Motors)	mVs /rad	626.1	626.1	703.1	727.6	699.0	861.5	759.7
E5-24	Motor Induction Voltage Constant 2 (Ke) (for PM Motors)	mV/ (r/min)	0.0	0.0	0.0	0.0	0.0	0.0	0.0
E1-04	Maximum Output Frequency	Hz	57.5	57.5	57.5	57.5	57.5	57.5	57.5
E1-05	Maximum Voltage	V	380.0	380.0	380.0	380.0	380.0	380.0	380.0
E1-06	Base Frequency	Hz	57.5	57.5	57.5	57.5	57.5	57.5	57.5
E1-09	Minimum Output Frequency	Hz	2.9	2.9	2.9	2.9	2.9	2.9	2.9
C5-17	Motor Inertia	kgm <sup>2</sup>	0.0022	0.0042	0.0081	0.0133	0.0168	0.027	0.044
n5-02	Motor Acceleration Time	s	0.080	0.081	0.078	0.088	0.066	0.070	0.085
n8-49	d-Axis Current for High Efficiency Control (for PM Motors) (OLV/PM)	%	-8.4	-11.0	-9.9	-9.0	-11.4	-23.2	-22.1

**Table B.45 400 V, 1150 r/min Type Yaskawa SST4 Series IPM Motor**

No.	Name	Unit	Default Settings						
E5-01	Motor Code Selection (for PM Motors)	–	243D	243E	243F	2440	2442	2443	2444
	Voltage Class	V	400	400	400	400	400	400	400
	Rated Power	kW	11	15	18	22	30	37	45
	Rated Speed	r/min	1150	1150	1150	1150	1150	1150	1150
E5-02	Motor Rated Power (for PM Motors)	kW	11.0	15	18.50	22.00	30.00	37.00	45.00
E5-03	Motor Rated Current (for PM Motors)	A	19.5	27.7	32.7	39.2	51.8	63.0	76.6
E5-04	Number of Motor Poles (for PM Motors)	–	6	6	6	6	6	6	6
E5-05	Motor Stator Resistance (r1) (for PM Motors)	Ω	0.460	0.325	0.260	0.209	0.140	0.106	0.076
E5-06	Motor d-Axis Inductance (Ld) (for PM Motors)	mH	17.76	12.83	11.68	10.09	8.12	6.43	4.96
E5-07	Motor q-Axis Inductance (Lq) (for PM Motors)	mH	22.72	17.19	15.16	16.25	9.84	7.71	6.56
E5-09	Motor Induction Voltage Constant 1 (Ke) (for PM Motors)	mVs /rad	740.4	716.6	809.1	786.2	888.8	857.7	941.6
E5-24	Motor Induction Voltage Constant 2 (Ke) (for PM Motors)	mV/ (r/min)	0.0	0.0	0.0	0.0	0.0	0.0	0.0
E1-04	Maximum Output Frequency	Hz	57.5	57.5	57.5	57.5	57.5	57.5	57.5
E1-05	Maximum Voltage	V	380.0	380.0	380.0	380.0	380.0	380.0	380.0
E1-06	Base Frequency	Hz	57.5	57.5	57.5	57.5	57.5	57.5	57.5
E1-09	Minimum Output Frequency	Hz	2.9	2.9	2.9	2.9	2.9	2.9	2.9
C5-17	Motor Inertia	kgm <sup>2</sup>	0.054	0.063	0.113	0.137	0.252	0.304	0.410
n5-02	Motor Acceleration Time	s	0.071	0.061	0.089	0.090	0.122	0.119	0.132
n8-49	d-Axis Current for High Efficiency Control (for PM Motors) (OLV/PM)	%	-16.7	-20.2	-15.2	-27.7	-9.8	-10.2	-11.5

## B.19 Parameters Changed by Motor Code Selection (for PM Motors)

Table B.46 400 V, 1150 r/min Type Yaskawa SST4 Series IPM Motor

No.	Name	Unit	Default Settings						
E5-01	Motor Code Selection (for PM Motors)	–	2445	2446	2447	2448	2449	244A	244C
	Voltage Class	V	400	400	400	400	400	400	400
	Rated Power	kW	55	75	90k	110	132	160	200
	Rated Speed	r/min	1150	1150	1150	1150	1150	1150	1150
E5-02	Motor Rated Power (for PM Motors)	kW	55.00	75.00	90.00	110.00	132.00	160.00	200.00
E5-03	Motor Rated Current (for PM Motors)	A	93.1	128.1	153.1	186.5	221.9	269.8	336.5
E5-04	Number of Motor Poles (for PM Motors)	–	6	6	6	6	6	6	6
E5-05	Motor Stator Resistance (r1) (for PM Motors)	Ω	0.051	0.032	0.026	0.015	0.012	0.009	0.007
E5-06	Motor d-Axis Inductance (Ld) (for PM Motors)	mH	3.99	2.97	2.44	1.87	1.49	1.41	1.22
E5-07	Motor q-Axis Inductance (Lq) (for PM Motors)	mH	5.39	3.90	3.23	2.46	2.08	1.88	1.51
E5-09	Motor Induction Voltage Constant 1 (Ke) (for PM Motors)	mVs /rad	853.8	829.6	835.6	833.4	848.6	889.1	915.0
E5-24	Motor Induction Voltage Constant 2 (Ke) (for PM Motors)	mV/ (r/min)	0.0	0.0	0.0	0.0	0.0	0.0	0.0
E1-04	Maximum Output Frequency	Hz	57.5	57.5	57.5	57.5	57.5	57.5	57.5
E1-05	Maximum Voltage	V	380.0	380.0	380.0	380.0	380.0	380.0	380.0
E1-06	Base Frequency	Hz	57.5	57.5	57.5	57.5	57.5	57.5	57.5
E1-09	Minimum Output Frequency	Hz	2.9	2.9	2.9	2.9	2.9	2.9	2.9
C5-17	Motor Inertia	kgm <sup>2</sup>	0.55	0.82	0.96	1.60	1.95	2.82	3.70
n5-02	Motor Acceleration Time	s	0.145	0.159	0.155	0.211	0.214	0.256	0.268
n8-49	d-Axis Current for High Efficiency Control (for PM Motors) (OLV/PM)	%	-16.0	-15.7	-15.7	-14.7	-16.5	-14.1	-10.4

# Appendix: C

## **MEMOBUS/Modbus Communications**

---

<b>C.1</b>	<b>MEMOBUS/MODBUS CONFIGURATION.....</b>	<b>560</b>
<b>C.2</b>	<b>COMMUNICATION SPECIFICATIONS.....</b>	<b>561</b>
<b>C.3</b>	<b>CONNECTING TO A NETWORK.....</b>	<b>562</b>
<b>C.4</b>	<b>MEMOBUS/MODBUS SETUP PARAMETERS.....</b>	<b>565</b>
<b>C.5</b>	<b>DRIVE OPERATIONS BY MEMOBUS/MODBUS.....</b>	<b>568</b>
<b>C.6</b>	<b>COMMUNICATIONS TIMING.....</b>	<b>569</b>
<b>C.7</b>	<b>MESSAGE FORMAT.....</b>	<b>570</b>
<b>C.8</b>	<b>MESSAGE EXAMPLES.....</b>	<b>572</b>
<b>C.9</b>	<b>MEMOBUS/MODBUS DATA TABLE.....</b>	<b>574</b>
<b>C.10</b>	<b>ENTER COMMAND.....</b>	<b>590</b>
<b>C.11</b>	<b>COMMUNICATION ERRORS.....</b>	<b>591</b>
<b>C.12</b>	<b>SELF-DIAGNOSTICS.....</b>	<b>592</b>

### C.1 MEMOBUS/Modbus Configuration

Drives can be controlled from a PLC or other master device via serial communications using the MEMOBUS/Modbus protocol. MEMOBUS/Modbus communications can be configured using one master (PLC) and up to 255 slaves. The drive has slave functionality only, and serial communication is normally initiated from the master and responded to by the slaves.

The master communicates with the specified slave drive. The address or node for each slave must be set prior so the master can communicate with the slave at that address. A slave that receives a command from the master will perform the specified function and send a response back to the master.

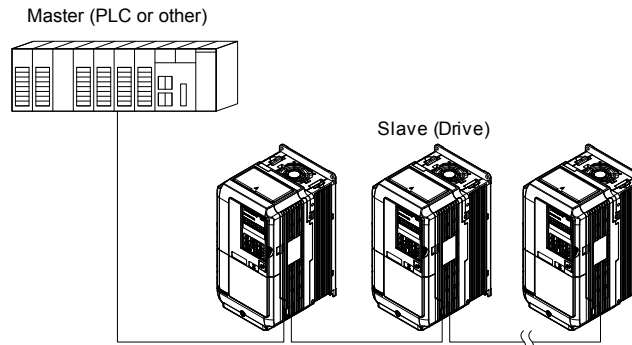


Figure C.1 Connecting Multiple Drives to a PLC

## C.2 Communication Specifications

MEMOBUS/Modbus specifications appear in *Table C.1*:

**Table C.1 MEMOBUS/Modbus Communications Specifications**

Item	Specifications	
Interface	RS-422, RS-485	
Communications Cycle	Asynchronous (Start-stop synchronization)	
Communication Parameters	Communication Speeds Available	1.2; 2.4; 4.8; 9.6; 19.2; 38.4; 57.6; 76.8; 115.2 kbps
	Data length	8-bit (fixed)
	Parity	Select even, odd, or none
	Stop bit	1-bit (fixed)
Protocol	MEMOBUS/Modbus (using RTU mode only)	
Max Number of Slaves	31 drives (RS-485)	

### C.3 Connecting to a Network

This section explains how to connect the drive to a MEMOBUS/Modbus network and the network termination required for a connection.

#### ◆ Network Cable Connection

Follow the instructions below to connect the drive to a MEMOBUS/Modbus network.

1. With the power shut off, connect the communications cable to the drive and the master. Use terminals TB5 for MEMOBUS/Modbus.

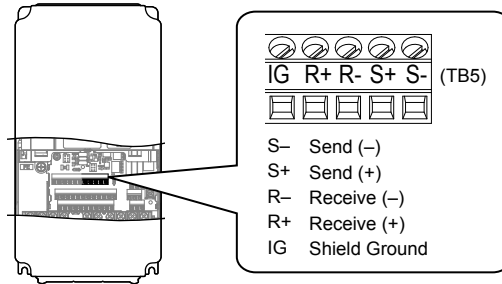


Figure C.2 Serial Communications Cable Connection Terminals (TB5)

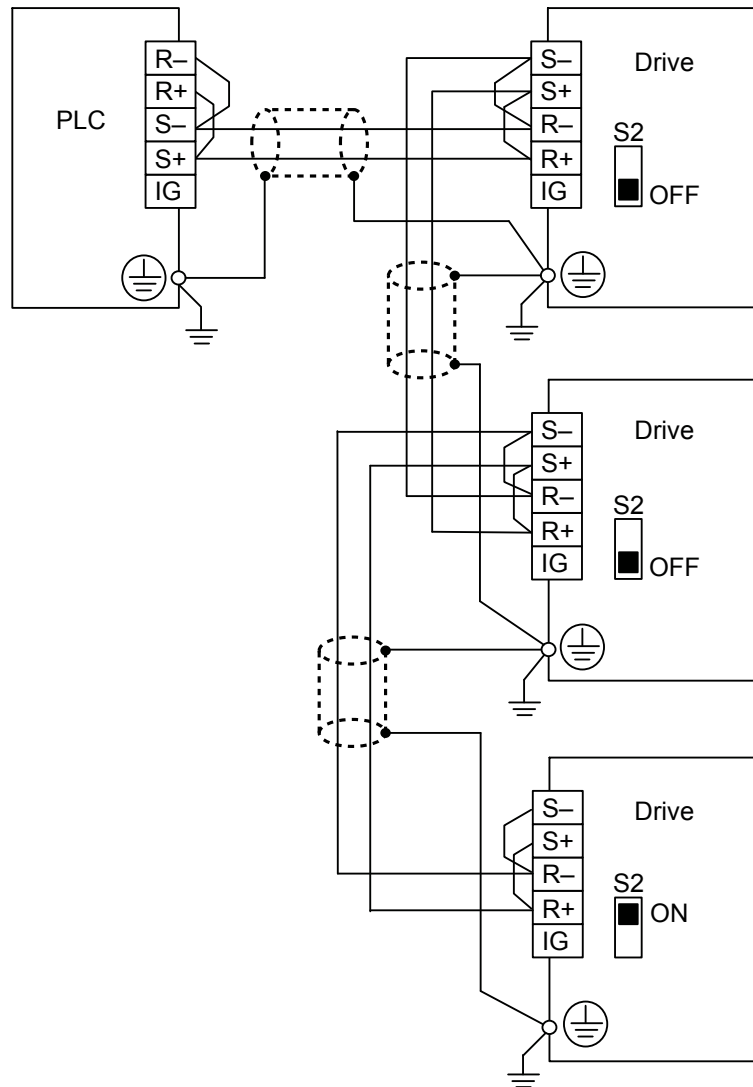
**Note:** Separate the communications cables from the main circuit cables and other wiring and power cables. Use shielded cables for the communications cables, and properly shielded clamps to prevent problems with noise. When using RS-485 communications, connect S+ to R+, and S- to R- as shown in the diagram below.

2. Check or set the termination resistor selection at all slaves. Use the description in [Network Termination](#) on page 564 for slaves that are U1000 drives.
3. Switch the power on.
4. Set the parameters needed for serial communications (H5-01 through H5-12) using the digital operator.
5. Shut the power off and wait until the display on the digital operator goes out completely.
6. Turn the power back on.
7. The drive is now ready to begin communicating with the master.

## ◆ Wiring Diagram for Multiple Connections

*Figure C.3* and *Figure C.4* explain the wiring diagrams for multiple connections using MEMOBUS/Modbus communication.

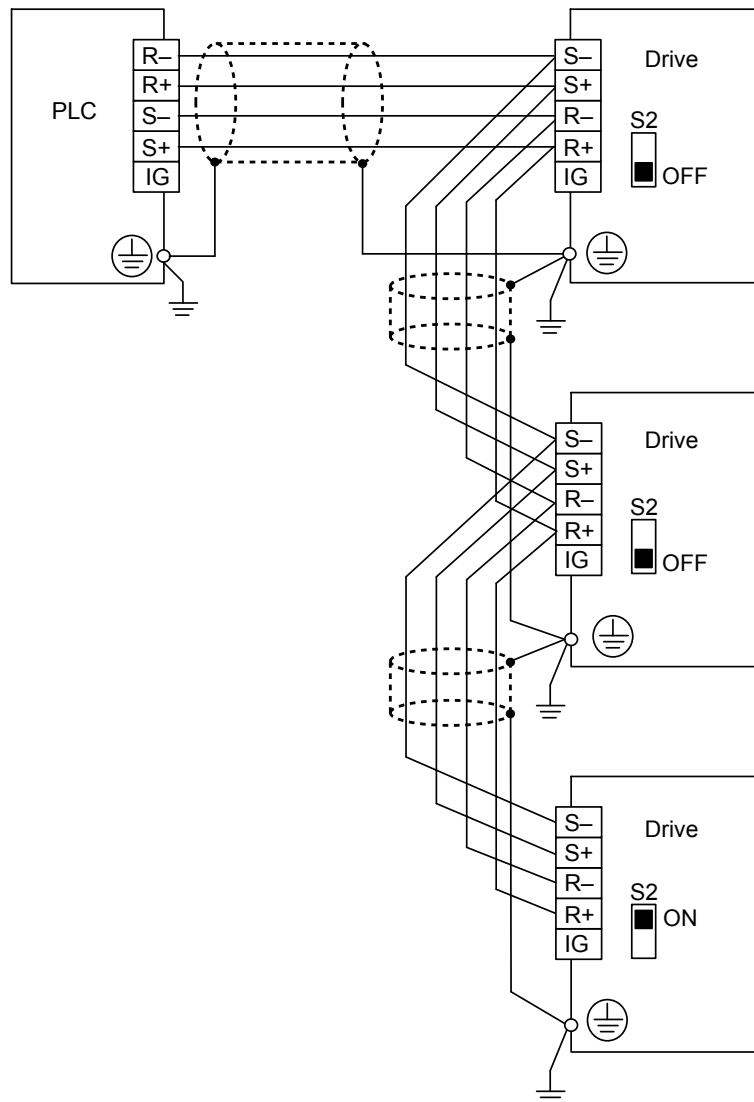
### ■ RS-485 Interface



**Figure C.3 RS-485 Interface**

- Note:**
1. Set DIP switch S2 to the ON position on the drive located at the end of the network. Set DIP switch S2 to the OFF positions on all other slave devices.
  2. Set H5-07 to 1 when using the RS-485 interface.

### ■ RS-422 Interface



**Figure C.4 RS-422 Interface**

- Note:**
1. Set DIP switch S2 to the ON position on the drive located at the end of the network. Set DIP switch S2 to the OFF positions on all other slave devices.
  2. Set H5-07 to 1 when using the RS-422 interface in a multi-drop circuit.  
Set H5-07 to 0 when using the RS-422 interface in a point-to-point circuit.

### ◆ Network Termination

The two ends of the MEMOBUS/Modbus network line have to be terminated. The drive has a built in termination resistor that can be enabled or disabled using DIP switch S2. If a drive is located at the end of a network line, enable the termination resistor by setting DIP switch S2 to the ON position. Disable the termination resistor on all slaves that are not located at the network line end.



## C.4 MEMOBUS/Modbus Setup Parameters

### ◆ MEMOBUS/Modbus Serial Communication

Changes to MEMOBUS/Modbus communications settings become effective after restarting the drive.

#### ■ H5-01: Drive Slave Address

Sets the drive slave address used for communications.

**Note:** Cycle the power after changing this parameter to enable the new setting.

No.	Name	Setting Range	Default
H5-01	Drive Slave Address	0 to FFH </>	1FH

<1> If the address is set to 0, no response will be provided during communications.

Each slave drive must be assigned a unique slave address for serial communications to work. Setting H5-01 to any value besides 0 assigns the drive its address in the network. Slave addresses do not need to be assigned in sequential order, but no two drives may share the same address.

#### ■ H5-02: Communication Speed Selection

Sets the MEMOBUS/Modbus communications speed.

**Note:** Cycle the power after changing this parameter to enable the new setting.

No.	Name	Setting Range	Default
H5-02	Communication Speed Selection	0 to 8	3

**Setting 0: 1200 bps**

**Setting 1: 2400 bps**

**Setting 2: 4800 bps**

**Setting 3: 9600 bps**

**Setting 4: 19200 bps**

**Setting 5: 38400 bps**

**Setting 6: 57600 bps**

**Setting 7: 76800 bps**

**Setting 8: 115200 bps**

#### ■ H5-03: Communication Parity Selection

Sets the parity used for communications.

**Note:** Cycle the power after changing this parameter to enable the new setting.

No.	Name	Setting Range	Default
H5-03	Communication Parity Selection	0 to 2	0

**Setting 0: No parity**

**Setting 1: Even parity**

**Setting 2: Odd parity**

#### ■ H5-04: Stopping Method after Communication Error

Selects the stopping method after a MEMOBUS/Modbus communications error (CE) has occurred.

No.	Name	Setting Range	Default
H5-04	Stopping Method after CE	0 to 3	3

## C.4 MEMOBUS/Modbus Setup Parameters

**Setting 0: Ramp to stop (uses the deceleration time currently enabled)**

**Setting 1: Cost to stop**

**Setting 2: Fast Stop**

**Setting 3: Alarm only (continue operation)**

### ■ H5-05: Communication Fault Detection Selection

Enables or disables the CE detection for communications.

No.	Name	Setting Range	Default
H5-05	Communication Fault Detection Selection	0 or 1	1

#### Setting 0: Disabled

No communication error detection. The drive continues operation.

#### Setting 1: Enabled

If the drive does not receive data from the master for longer than the time set to H5-09, then a CE fault will be triggered and the drive will operate as determined by parameter H5-04.

### ■ H5-06: Drive Transmit Wait Time

Sets the time the drive waits after receiving data from a master until responding data.

No.	Name	Setting Range	Default
H5-06	Drive Transmit Wait Time	5 to 65 ms	5 ms

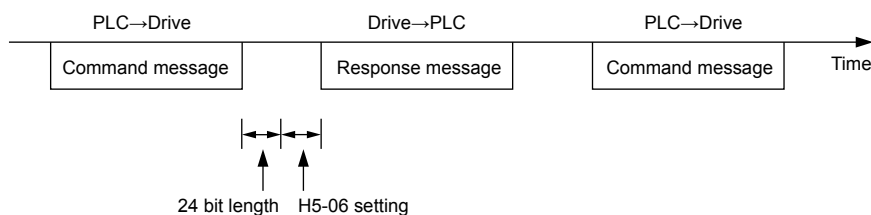


Figure C.5 Drive Transmit Wait Time Setting

### ■ H5-07: RTS Control Selection

Enables or disables RTS control.

No.	Name	Setting Range	Default
H5-07	RTS Control Selection	0 or 1	1

#### Setting 0: Disabled. RTS is always on.

Use this setting with point-to-point RS-422 communications.

#### Setting 1: Enabled. RTS switches while sending.

Use this setting with RS-485 communications or when using multi-drop RS-422 communications.

### ■ H5-09: Communications Fault Detection Time

Sets the time the communications must be lost before the drive triggers a CE fault.

No.	Name	Setting Range	Default
H5-09	Communications Fault Detection Time	0.0 to 10.0 s	2.0 s

### ■ H5-10: Unit Selection for MEMOBUS/Modbus Register 0025H

Sets the unit for the output voltage monitor value in MEMOBUS/Modbus register 0025H.

No.	Name	Setting Range	Default
H5-10	Unit Selection for MEMOBUS/Modbus Register 0025H	0 or 1	0

**Setting 0: 0.1 V units**

**Setting 1: 1 V units**

### ■ H5-11: Communications Enter Function Selection

Selects whether an Enter command is necessary to change parameter values via MEMOBUS/Modbus communications. *Refer to Enter Command on page 590.*

No.	Name	Setting Range	Default
H5-11	Communications Enter Function Selection	0 or 1	0

#### Setting 0: Enter command necessary

Parameter changes become effective after an Enter command. An Enter command must only be sent after the last parameter change, not for each single parameter.

#### Setting 1: Enter command not necessary

Parameter value changes become effective immediately without the need to send an Enter command.

### ■ H5-12: Run Command Method Selection

Selects the type of sequence used when the Run command source is set to MEMOBUS/Modbus communications (b1-02, b1-16 = 2).

No.	Name	Setting Range	Default
H5-12	Run Command Method Selection	0 or 1	0

#### Setting 0: FWD/Stop, REV/Stop

Setting bit 0 of MEMOBUS/Modbus register 0001H will start and stop the drive in the forward direction. Setting bit 1 will start and stop the drive in reverse.

#### Setting 1: Run/Stop, FWD/REV

Setting bit 0 of MEMOBUS/Modbus register 0001H will start and stop the drive. Setting bit 1 changes the direction.

### ■ H5-17: Operation Selection when Unable to Write into EEPROM

Selects the operation to be carried out when attempting to write data into EEPROM by MEMOBUS/Modbus communications but writing into EEPROM is not enabled. There is normally no need to change this parameter from the default value.

No.	Name	Setting Range	Default
H5-17	Operation Selection when Unable to Write into EEPROM	0, 1	0

#### Setting 0: Cannot write into EEPROM

#### Setting 1: Write in RAM only

### ■ H5-18: Filter Time Constant for Motor Speed Monitoring

Sets the filter time constant for monitoring the motor speed from MEMOBUS/Modbus communications and communication options. Applicable MEMOBUS/Modbus registers are: 3EH, 3FH, 44H, ACH, and ADH

No.	Name	Setting Range	Default
H5-18	Filter Time Constant for Motor Speed Monitoring	0 to 100 ms	0 ms

## C.5 Drive Operations by MEMOBUS/Modbus

The drive operations that can be performed by MEMOBUS/Modbus communication depend on drive parameter settings. This section explains the functions that can be used and related parameter settings.

### ◆ Observing the Drive Operation

A PLC can perform the following actions with MEMOBUS/Modbus communications at any time regardless of parameter settings (except for H5-□□parameters):

- observe drive status and drive control terminal status from a PLC.
- read and write parameters.
- set and reset faults.
- set multi-function inputs.

**Note:** Input settings from the input terminals (S1 to S8) and from MEMOBUS/Modbus communications are both linked by a logical OR operation.

### ◆ Controlling the Drive

Select an external reference and adjust the parameters in [Table C.2](#) accordingly to start and stop the drive or set the frequency reference using MEMOBUS/Modbus communications.

**Table C.2 Setting Parameters for Drive Control from MEMOBUS/Modbus**

Reference Source	Parameter	Name	Required Setting
External Reference 1	b1-01	Frequency Reference Selection 1	2
	b1-02	Run Command Selection 1	2
External Reference 2	b1-15	Frequency Reference Selection 2	2
	b1-16	Run Command Selection 2	2

*Refer to b1-01: Frequency Reference Selection 1 on page 158 and Refer to b1-02: Run Command Selection 1 on page 159 for details on external reference parameter selections. Refer to Setting 2: External Reference 1/2 Selection on page 248 for instructions on selecting external references 1 and 2.*

## C.6 Communications Timing

To prevent a communications overrun in the slave drive, the master should wait a certain time between sending messages to the same drive. In the same way, the slave drive must wait before sending response messages to prevent an overrun in the master. This section explains the message timing.

### ◆ Command Messages from Master to Drive

The master must wait for a specified time between receiving a response and resending the same type of command to the same slave drive to prevent overrun and data loss. The minimum wait time depends on the command as shown in [Table C.3](#).

**Table C.3 Minimum Wait Time for Sending Messages**

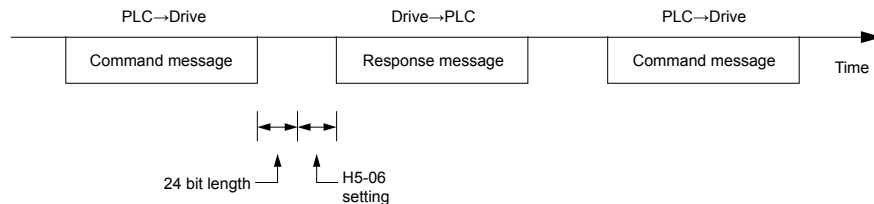
Command Type	Example	Minimum Wait Time
1	<ul style="list-style-type: none"> <li>Control command (Run, Stop)</li> <li>Set inputs/outputs</li> <li>Read monitors and parameter values</li> </ul>	5 ms </>
2	Write parameters	H5-11 = 0: 50 ms H5-11 = 1: 200 ms </>
3	Save changes using an Enter command	200 ms to 2 s, depending on the number of parameters that were changed </>
4	Enter with storage to drive EEPROM after initialization	5 s

</> If the drive receives command type 1 data during the minimum wait time, it will perform the command and then respond. However, if it receives a command type 2 or 3 during that time, either a communication error will result or the command will be ignored.

Set a timer in the master to check how long it takes for the slave drive(s) to respond to the master. If no response is received within a certain amount of time, the master should try resending the message.

### ◆ Response Messages from Drive to Master

If the drive receives a command from the master, it will process the data received and wait for the time set in H5-06 until it responds. Increase H5-06 if the drive response causes overrun in the master.



**Figure C.6 Minimum Response Wait Time**

## C.7 Message Format

### ◆ Message Content

In MEMOBUS/Modbus communications, the master sends commands to the slave, and the slave responds. The message format is configured for both sending and receiving as shown below, and the length of data packets depends on the command (function) content.

SLAVE ADDRESS
FUNCTION CODE
DATA
ERROR CHECK

### ◆ Slave Address

The slave address in the message defines the note the message is sent to. Use addresses between 0 and FF (hex). If a message with slave address 0 is sent (broadcast), the command from the master will be received by all slaves. The slaves do not provide a response to a broadcast type message.

### ◆ Function Code

The three types of function codes are shown in the table below.

Function Code	Function Name	Data Length (bytes)			
		Command Message		Response Message	
		Minimum	Maximum	Minimum	Maximum
03H	Read MEMOBUS/Modbus registers	8	8	7	37
08H	Loopback test	8	8	8	8
10H	Write to multiple MEMOBUS/Modbus registers	11	41	8	8

### ◆ Data

Configure consecutive data by combining the MEMOBUS/Modbus register address (test code in case of a loopback test) and the data the register contains. The data length changes depending on the command details.

A drive MEMOBUS/Modbus register always has a data length of two bytes. Data written into drive registers must also always have a length of two bytes. Register data read out from the drive will always consist of two bytes.

### ◆ Error Check

The drive uses a CRC-16 (cyclic redundancy check, checksum method) for checking data validity. Use the procedure described below when calculating the CRC-16 checksum for command data or when verifying response data.

#### ■ Command Data

When the drive receives data, it calculates the CRC-16 checksum from the data and compares it to the CRC-16 value received within the message. Both must match before a command is processed.

An initial value of FFFFH (i.e., all 16 bits equal 1) must be used for CRC-16 calculations in the MEMOBUS/Modbus protocol.

Calculate the CRC-16 checksum using the following steps:

1. The starting value is FFFFH.
2. Perform an XOR operation of this value and the slave address.
3. Right shift the result.
4. When the overflow bit of the shift operation becomes 1, perform an XOR operation of the result from step 3 above and the fix value A001H.
5. Repeat steps 3 and 4 until eight shift operations have been performed.
6. After eight shift operations, perform an XOR operation with the result and the next data in the message (function code, register address, data). Continue with steps 3 to 5 until the last data has been processed.
7. The result of the last shift or XOR operation is the checksum.

The example in *Table C.4* shows the CRC-16 calculation of the slave address 02H and the function code 03H, yielding the result D140H.

**Note:** This example does not show the calculation for a complete MEMOBUS/Modbus command. Normally data would follow in the calculation.

**Table C.4 CRC-16 Checksum Calculation Example**

Description	Calculation	Overflow	Description	Calculation	Overflow
Initial Value (FFFFH)	1111 1111 1111 1111		Function Code 03H	0000 0000 0000 0011	
Address 02H	0000 0000 0000 0010		XOR w result	1000 0001 0011 1101	
XOR w initial value	1111 1111 1111 1101		Shift 1	0100 0000 1001 1110	1
Shift 1	0111 1111 1111 1110	1	XOR w A001H	1010 0000 0000 0001	
XOR w A001H	1010 0000 0000 0001		XOR result	1110 0000 1001 1111	
XOR result	1101 1111 1111 1111		Shift 2	0111 0000 0100 1111	1
Shift 2	0110 1111 1111 1111	1	XOR w A001H	1010 0000 0000 0001	
XOR w A001H	1010 0000 0000 0001		XOR result	1101 0000 0100 1110	
XOR result	1100 1111 1111 1110		Shift 3	0110 1000 0010 0111	0
Shift 3	0110 0111 1111 1111	0	Shift 4	0011 0100 0001 0011	1
Shift 4	0011 0011 1111 1111	1	XOR w A001H	1010 0000 0000 0001	
XOR w A001H	1010 0000 0000 0001		XOR result	1001 0100 0001 0010	
XOR result	1001 0011 1111 1110		Shift 5	0100 1010 0000 1001	0
Shift 5	0100 1001 1111 1111	0	Shift 6	0010 0101 0000 0100	1
Shift 6	0010 0100 1111 1111	1	XOR w A001H	1010 0000 0000 0001	
XOR w A001H	1010 0000 0000 0001		XOR result	1000 0101 0000 0101	
XOR result	1000 0100 1111 1110		Shift 7	0100 0010 1000 0010	1
Shift 7	0100 0010 0111 1111	0	XOR w A001H	1010 0000 0000 0001	
Shift 8	0010 0001 0011 1111	1	XOR result	1110 0010 1000 0011	
XOR w A001H	1010 0000 0000 0001		Shift 8	0111 0001 0100 0001	1
XOR result	1000 0001 0011 1110		XOR w A001H	1010 0000 0000 0001	
Perform operations with next data (function code)			XOR result	1101 0001 0100 0000	
			CRC-16	1101 0001 0100 0000	
				D 1 4 0 (Lower) (Upper)	
Continue from here with next data.					

**■ Response Data**

Perform a CRC-16 calculation on the response message data as described above as a validation check. The result should match the CRC-16 checksum received within the response message.

## C.8 Message Examples

Below are some examples of command and response messages.

### ◆ Reading Drive MEMOBUS/Modbus Register Contents

Using the function code 03H (Read), a maximum of 16 MEMOBUS/Modbus registers can be read out at a time.

The following table shows message examples when reading status signals, error details, data link status, and frequency references from the slave 2 drive.

Command Message			Response Message (normal)			Response Message (fault)		
Slave Address		02H	Slave Address		02H	Slave Address		02H
Function Code		03H	Function Code		03H	Function Code		83H
Starting No.	Upper	00H	Data Quantity		08H	Error Code		03H
	Lower	20H	1st storage register	Upper	00H	CRC-16	Upper	F1H
Data Quantity	Upper	00H		Lower	65H		Lower	31H
	CRC-16	Upper	45H	Next storage register	Upper	00H		
Lower		04H	Lower		00H			
CRC-16	Upper	45H	Next storage register	Upper	00H			
	Lower	F0H		Lower	00H			
CRC-16	Upper	45H	Next storage register	Upper	01H			
	Lower	F0H		Lower	F4H			
CRC-16	Upper	45H	CRC-16	Upper	AFH			
	Lower	F0H		Lower	82H			

### ◆ Loopback Test

Function code 08H performs a loopback test that returns a response message with exactly the same content as the command message. The response message can be used to check communications between the master and slave. User-defined test code and data values can also be set.

The following table shows a message example when performing a loopback test with the slave 1 drive.

Command Message			Response Message (normal)			Response Message (fault)		
Slave Address		01H	Slave Address		01H	Slave Address		01H
Function Code		08H	Function Code		08H	Function Code		88H
Test Code	Upper	00H	Test Code	Upper	00H	Error Code		01H
	Lower	00H		Lower	00H	CRC-16	Upper	86H
Data	Upper	A5H	Data	Upper	A5H		Lower	50H
	Lower	37H		Lower	37H			
CRC-16	Upper	DAH	CRC-16	Upper	DAH			
	Lower	8DH		Lower	8DH			



## ◆ Writing to Multiple Registers

Function code 10H allows the user to write multiple drive MEMOBUS/Modbus registers with one message. This process works similar to reading registers, in that the address of the first register to be written and the data quantity are set in the command message. The data to be written must be consecutive so that the register addresses are in order, starting from the specified address in the command message. The data order must be high byte then lower byte.

The following table shows an example of a message where a forward operation has been set with a frequency reference of 60.00 Hz for the slave 1 drive.

If parameter values are changed using the Write command, an Enter command may be necessary to activate or save the data depending on the setting of H5-11. [Refer to H5-11: Communications Enter Function Selection on page 567](#) and [Refer to Enter Command on page 590](#) for detailed descriptions.

Command Message			Response Message (normal)			Response Message (fault)		
Slave Address		01H	Slave Address		01H	Slave Address		01H
Function Code		10H	Function Code		10H	Function Code		90H
Starting No.	Upper	00H	Starting No.	Upper	00H	Error Code		02H
	Lower	01H		Lower	01H	CRC-16	Upper	CDH
Data Quantity	Upper	00H	Data Quantity	Upper	00H		Lower	C1H
	Lower	02H		Lower	02H			
Number of Bytes		04H	CRC-16	Upper	10H			
Starting Data	Upper	00H		Lower	08H			
	Next Data	Upper	17H					
Lower		70H						
CRC-16	Upper	63H						
	Lower	39H						

**Note:** Double the number of the data quantity for the number of bytes in the command message.

## C.9 MEMOBUS/Modbus Data Table

The tables below list all MEMOBUS/Modbus data.

### ◆ Command Data

It is possible to both read and write command data.

**Note:** Bits that are not used should be set to 0. Refrain from writing to reserved registers.

Register No.	Contents	
0000H	Reserved	
0001H	Operation Commands and Multi-function Inputs	
	bit 0	H5-12 = 0: Forward Run Command (0 = Stop, 1 = Forward Run) H5-12 = 1: Run Command (0 = Stop, 1 = Run)
	bit 1	H5-12 = 0: Reverse Run Command (0 = Stop, 1 = Reverse Run) H5-12 = 1: Forward/Reverse (0 = Forward, 1 = Reverse)
	bit 2	Option Card External Fault (EF0)
	bit 3	Fault Reset
	bit 4	Multi-Function Input 1 Function is ComRef when H1-01 = 40 (Forward/Stop). <b>Note:</b> When the bit at ComCtrl is turned on, commands from MEMOBUS/Modbus communications take control of the operation. However, when a communications option card is connected, that option card is given priority.
	bit 5	Multi-Function Input 2 Function is ComCtrl when H1-02 = 41 (Reverse/Stop).
	bit 6	Multi-Function Input 3
	bit 7	Multi-Function Input 4
	bit 8	Multi-Function Input 5
	bit 9	Multi-Function Input 6
	bit A	Multi-Function Input 7
	bit B	Multi-Function Input 8
	bit C to F	Reserved
0002H	Frequency Reference	Units are determined by parameter o1-03.
0003H	Output voltage gain/ Unit: 0.1% Range: 20 (2.0%) to 2000 (200.0%), Default when power on: 1000 (100.0%)	
0004H	Torque Reference/Torque Limit, 0.1% units, signed (Usable only if Torque Control is enabled)	
0005H	Torque Compensation, 0.1% units, signed (Usable only if Torque Control is enabled)	
0006H	PID Target, 0.01% units, signed	
0007H	Analog Output Terminal FM Setting (10 V / 4000 H)	
0008H	Analog Output Terminal AM Setting (10 V / 4000 H)	
0009H	Settings for Multi-Function Digital Outputs	
	bit 0	Multi-Function Contact Output 1 (terminal M1-M2)
	bit 1	Multi-Function Contact Output 2 (terminal M3-M4)
	bit 2	Multi-Function Contact Output 3 (terminal M5-M6)
	bit 3 to 5	Reserved
	bit 6	Enables the function in bit 7
	bit 7	Fault Contact Output (terminal MA/MB-MC)
bit 8 to F	Reserved	
000AH	Pulse Output Terminal MP Setting, 1 Hz units, Setting Range: 0 to 32000	
000BH to 000EH	Reserved	

Register No.	Contents	
000FH	Control Selection Setting	
	bit 0	Reserved
	bit 1	PID Setpoint Input
	bit 2	Torque reference / torque limit input (enables the setting from MEMOBUS/Modbus)
	bit 3	Torque compensation input (enables the setting from MEMOBUS/Modbus)
	bit 4 to B	Reserved
	bit C	Enable Terminal S5 Input for Broadcast Data
	bit D	Enable Terminal S6 Input for Broadcast Data
	bit E	Enable Terminal S7 Input for Broadcast Data
bit F	Enable Terminal S8 Input for Broadcast Data	
0010H to 001AH	Reserved	
001BH	Analog Monitor Option AO-A3 Analog Output 1 (10 V/4000 H)	
001CH	Analog Monitor Option AO-A3 Analog Output 2 (10 V/4000 H)	
001DH	Digital Output Option DO-A3 Output (Binary)	
001EH to 001FH	Reserved	

### ◆ Monitor Data

Monitor data can be read only.

Register No.	Contents	
0020H	Drive Status 1	
	bit 0	During Run
	bit 1	During Reverse
	bit 2	Drive Ready
	bit 3	Fault
	bit 4	Data Setting Error
	bit 5	Multi-Function Contact Output 1 (terminal M1-M2)
	bit 6	Multi-Function Contact Output 2 (terminal M3-M4)
	bit 7	Multi-Function Contact Output 3 (terminal M5-M6)
	bit 8 to bit D	Reserved
	bit E	When ComRef has been enabled
	bit F	When ComCtrl has been enabled

## C.9 MEMOBUS/Modbus Data Table

Register No.	Contents	
0021H	Fault Contents 1	
	bit 0	Overcurrent (oC), Ground fault (GF)
	bit 1	Control Circuit Overvoltage (ov)
	bit 2	Overload (oL2)
	bit 3	Overheat 1 (oH1), Heatsink Overheat Warning (oH2)
	bit 4, 5	Reserved
	bit 6	PID Feedback Loss/Excessive PID Feedback (FbL / FbH)
	bit 7	EF to EF8: External Fault
	bit 8	CPF□□: Hardware Fault (includes oFx)
	bit 9	Motor Overload (oL1), Overtorque Detection 1/2 (oL3/oL4), Undertorque Detection 1/2 (UL3/UL4)
	bit A	PG Disconnect (PGo), PG Hardware Fault (PGoH), Overspeed (oS), Speed Deviation (dEv)
	bit B	Control Circuit Undervoltage (Uv), Power Supply Undervoltage (AUv), Power Supply Frequency Fault (Fdv)
	bit C	Control Circuit Undervoltage Fault (Uv1), Control Power Supply Voltage Fault (Uv2), Undervoltage 3 (Uv3), Power Supply Frequency Fault (Fdv), Power Supply Undervoltage (AUv), Phase Order Detection Fault (SrC)
	bit D	Output Phase Loss (LF)
bit E	MEMOBUS/Modbus Communication Error (CE), Option Communication Error (bUS)	
bit F	External Digital Operator Connection Fault (oPr)	
0022H	Data Link Status	
	bit 0	Writing data or switching motors
	bit 1, 2	Reserved
	bit 3	Upper or lower limit error
	bit 4	Data conformity error
	bit 5	Writing to EEPROM
	bit 6	0: Write into EEPROM. 1: Write in RAM only. <b>Note:</b> Enabled only when H5-17 = 1.
	bit 7 to bit F	Reserved
0023H	Frequency Reference <f>	
0024H	Output Frequency <f>	
0025H	Output Voltage Reference, 0.1 V units (units are determined by parameter H5-10)	
0026H	Output Current, 0.1 A units <f>	
0027H	Output Power	
0028H	Torque Reference	
0029H	Fault Contents 2	
	bit 0	Reserved
	bit 1	Ground Fault (GF)
	bit 2	Reserved
	bit 3	Output Phase Loss (LF)
	bit 4, 5	Reserved
	bit 6	Motor Overheat 2 (PTC input) (oH4)
	bit 7 to bit F	Reserved

Register No.	Contents	
002AH	Alarm Contents 1	
	bit 0, 1	Reserved
	bit 2	Forward/Reverse Run Command Input Error (EF)
	bit 3	Baseblock (bb)
	bit 4	Overtorque 1 (oL3)
	bit 5	Heatsink Overheat (oH)
	bit 6	Control Circuit Overvoltage (ov)
	bit 7	Control Circuit Undervoltage (Uv)
	bit 8	Fan Fault (FAn)
	bit 9	MEMOBUS/Modbus Communication Error (CE)
	bit A	Option Communication Error (bUS)
	bit B	Undertorque Detection 1/2 (UL3/UL4)
	bit C	Motor Overheat (oH3)
	bit D	PID Feedback Loss, Excessive PID Feedback (FbL, FbH)
	bit E	Reserved
bit F	Serial Communication Transmission Error (CALL)	
002BH	Input Terminal Status	
	bit 0	Terminal S1 Closed
	bit 1	Terminal S2 Closed
	bit 2	Terminal S3 Closed
	bit 3	Terminal S4 Closed
	bit 4	Terminal S5 Closed
	bit 5	Terminal S6 Closed
	bit 6	Terminal S7 Closed
	bit 7	Terminal S8 Closed
bit 8 to bit F	Reserved	
002CH	Drive Status 2	
	bit 0	During Run
	bit 1	Zero Speed
	bit 2	Speed Agree
	bit 3	User-set Speed Agree
	bit 4	Frequency Detection 1
	bit 5	Frequency Detection 2
	bit 6	Drive Ready
	bit 7	During Undervoltage
	bit 8	During Baseblock
	bit 9	Frequency Reference from Operator Keypad
	bit A	Run Command from Operator Keypad
	bit B	Over/Undertorque Detection 1, 2
	bit C	Frequency Reference Loss
	bit D	During Fault Restart
bit E	Fault	
bit F	Communication Timeout	
002DH	Output Terminal Status	
	bit 0	Multi-Function Contact Output 1 (terminal M1-M2)
	bit 1	Multi-Function Contact Output 2 (terminal M3-M4)
	bit 2	Multi-Function Contact Output 3 (terminal M5-M6)
	bit 3 to 6	Reserved
	bit 7	Fault Contact Output (terminal MA/MB-MC)
bit 8 to F	Reserved	

## C.9 MEMOBUS/Modbus Data Table

Register No.	Contents	
002EH	Reserved	
002FH	Frequency Reference Bias (from Up/Down 2 Function), 0.1% units	
0030H	Reserved	
0031H	Control Circuit Voltage, 1 Vdc units	
0032H	Torque Reference (U1-09), 0.1% units	
0033H	Reserved	
0034H	Product Code 1 [ASCII], Product Type (U0 for U1000)	
0035H	Product Code 2 [ASCII], Region Code	
0036H, 0037H	Reserved	
0038H	PID Feedback, 0.1% units, unsigned, 100% / max. output frequency	
0039H	PID Input, 0.1% units, signed, 100% / max. output frequency	
003AH	PID Output, 0.1% units, signed, 100% / max. output frequency	
003BH, 003CH	Reserved	
003DH	Communications Error Contents <3>	
	bit 0	CRC Error
	bit 1	Data Length Error
	bit 2	Reserved
	bit 3	Parity Error
	bit 4	Overrun Error
	bit 5	Framing Error
	bit 6	Timeout
bit 7 to bit F	Reserved	
003EH	Output Frequency	r/min <4>
003FH		0.01% units
0040H to 004AH	Used for various monitors U1-□□. <i>Refer to U: Monitors on page 519</i> for parameter details.	
004BH	Drive status (U1-12)	
	bit 0	During Run
	bit 1	During Zero Speed
	bit 2	During Reverse Run
	bit 3	During Fault Reset Signal Input
	bit 4	During Speed Agree
	bit 5	Drive Ready
	bit 6	Alarm
	bit 7	Fault
	bit 8	During Operation Error (oPE□□)
	bit 9	During Momentary Power Loss
	bit A	Motor 2 selected
	bit B	Reserved
	bit E	ComRef status, NetRef status
bit F	ComCtrl status, NetCtrl status	
004CH to 007EH	Used for monitors U1-□□, U4-□□, U5-□□ and U6-□□. <i>Refer to U2: Fault Trace on page 521</i> and <i>Refer to U3: Fault History on page 523</i> for parameter details.	
007FH	Minor Fault Code, <i>Refer to Alarm Register Contents on page 589</i> for Minor Fault codes.	
0080H to 0097H	Used for monitors U2-□□, U3-□□. <i>Refer to U: Monitors on page 519</i> for parameter details and <i>Refer to Fault Trace Contents on page 587</i> for register value descriptions.	
0098H, 0099H	U4-01 (Cumulative Operation Time) Example: When U4-01 (Cumulative Operation Time) is 12345 hours, then 0098H = 1234 and 0099H = 5.	
009AH, 009BH	U4-03 (Cooling Fan Operation Time) Example: When U4-03 (Cooling Fan Operation Time) is 12345 hours, then 009AH = 1234 and 009BH = 5.	
009CH to 00AAH	Reserved	
00ABH	Drive Rated Current <2>	

Register No.	Contents	
00ACH	Motor Speed (U1-05)	r/min units <4>
00ADH		0.01% units
00AEH, 00AFH	Reserved	
00B0H	Option Code Connected to CN5-A	Register contains ASCII code of the option card. AI-A3 = 0003H AO-A3 = 0004H DI-A3 = 0001H DO-A3 = 0002H PG-B3 = 0011H PG-RT3 = 0023H PG-X3 = 0012H SI-B3 = 1002H SI-C3 = 5343H SI-EM3 = 1005H SI-EN3 = 1006H SI-ES3 = 1001H SI-ET3 = 1004H SI-N3 = 534EH SI-P3 = 5350H SI-S3 = 5353H SI-T3 = 5354H SI-W3 = 1003H
00B1H	Reserved	
00B2H	Option Code Connected to CN5-B	
00B3H	Option Code Connected to CN5-C	
00B4H	Reserved	
00B5H	Frequency Reference After Soft-starter (U1-16)	r/min units <4>
00B6H		0.01% units
00B7H	Frequency Reference	r/min <4>
00B8H		0.01% units
00B9H to 00BEH	Reserved	
00BFH	Lists the last two digits of operation error code oPE□□.	
00C0H	Fault Contents 3	
	bit 1	Control Circuit Undervoltage Fault (Uv1)
	bit 2	Control Power Supply Undervoltage Fault (Uv2)
	bit 3	Undervoltage 3 (Soft-Charge Bypass Circuit Fault) (Uv3)
	bit 4	Reserved
	bit 5	Ground Fault (GF)
	bit 6	Overcurrent (oC)
	bit 7	Control Circuit Overvoltage (ov)
	bit 8	Heatsink Overheat (oH)
	bit 9	Overheat 1 (oH1)
	bit A	Motor Overload (oL1)
	bit B	Overload (oL2)
	bit C	Overtorque Detection 1 (oL3)
	bit D	Overtorque Detection 2 (oL4)
bit E, F	Reserved	

## C.9 MEMOBUS/Modbus Data Table

Register No.	Contents	
00C1H	Fault Contents 4	
	bit 0	External Fault at input terminal S3 (EF3)
	bit 1	External Fault at input terminal S4 (EF4)
	bit 2	External Fault at input terminal S5 (EF5)
	bit 3	External Fault at input terminal S6 (EF6)
	bit 4	External Fault at input terminal S7 (EF7)
	bit 5	External Fault at input terminal S8 (EF8)
	bit 6	Fan Fault (FAn)
	bit 7	Overspeed (os)
	bit 8	Excessive Speed Deviation (dEv)
	bit 9	PG Disconnect (PGo)
	bit A	Reserved
	bit B	Output Phase Loss (LF)
	bit C	Motor Overheat (PTC input) (oH3)
	bit D	External Digital Operator Connection Fault (oPr)
	bit E	EEPROM Write Error (Err)
bit F	Motor Overheat Fault (PTC input) (oH4)	
00C2H	Fault Contents 5	
	bit 0	MEMOBUS/Modbus Communication Error (CE)
	bit 1	Option Communication Error (bUS)
	bit 2, 3	Reserved
	bit 4	Control Fault (CF)
	bit 5	Zero Servo Fault (SvE)
	bit 6	Option Card External Fault (EF0)
	bit 7	PID Feedback Loss (FbL)
	bit 8	Undertorque Detection 1 (UL3)
	bit 9	Undertorque Detection 2 (UL4)
	bit A to E	Reserved
	bit F	Hardware Fault (includes oFx)
00C3H	Fault Contents 6	
	bit 0	Reserved
	bit 1	Z Pulse Fault (dv1)
	bit 2	Z Pulse Noise Fault Detection (dv2)
	bit 3	Inversion Detection (dv3)
	bit 4	Inversion Prevention Detection (dv4)
	bit 5	Output Current Imbalance (LF2)
	bit 6	Pull-Out Detection (STo)
	bit 7	PG Hardware Fault (PGoH)
	bit 8	MECHATROLINK Watchdog Timer Error (E5)
	bit 9	Reserved
	bit A	Too Many Speed Search Restarts (SEr)
	bit B to F	Reserved



Register No.	Contents	
00C4H	Fault Contents 7	
	bit 0	PID Feedback Loss (FbH)
	bit 1	External Fault 1, input terminal S1 (EF1)
	bit 2	External Fault 2, input terminal S2 (EF2)
	bit 3	Mechanical Weakening Detection 1 (oL5)
	bit 4	Mechanical Weakening Detection 2 (UL5)
	bit 5	Current Offset Fault (CoF)
	bit 6, 7	Reserved
	bit 8	DriveWorksEZ Fault (dWFL)
bit 9 to F	Reserved	
00C5H	Fault Contents 8	
	bit 0	LSo Fault (LSo)
	bit 1	Node Setup Fault (nSE)
	bit 2 to 9	Reserved
	bit A	Initial Polarity Estimation Timeout (dv7)
bit B to F	Reserved	
00C6H to 00C7H	Reserved	
00C8H	Alarm Contents 2	
	bit 0	Control Circuit Undervoltage (Uv)
	bit 1	Control Circuit Overvoltage (ov)
	bit 2	Heatsink Overheat (oH)
	bit 3	Heatsink Overheat Warning (oH2)
	bit 4	Overtorque Detection 1 (oL3)
	bit 5	Overtorque Detection 2 (oL4)
	bit 6	Forward/Reverse Run Commands Input Error (EF)
	bit 7	Baseblock (bb)
	bit 8	External Fault 3, input terminal S3 (EF3)
	bit 9	External Fault 4, input terminal S4 (EF4)
	bit A	External Fault 5, input terminal S5 (EF5)
	bit B	External Fault 6, input terminal S6 (EF6)
	bit C	External Fault 7, input terminal S7 (EF7)
	bit D	External Fault 8, input terminal S8 (EF8)
bit E	Fan Fault (FAn)	
bit F	Overspeed (oS)	

## C.9 MEMOBUS/Modbus Data Table

Register No.	Contents	
00C9H	Alarm Contents 3	
	bit 0	Speed Deviation (dEv)
	bit 1	PG Disconnect (PGo)
	bit 2	External Digital Operator Connection Fault (oPr)
	bit 3	MEMOBUS/Modbus Communication Error (CE)
	bit 4	Option Communication Error (bUS)
	bit 5	Serial Communication Transmission Error (CALL)
	bit 6	Motor Overload (oL1)
	bit 7	Overload (oL2)
	bit 8	Reserved
	bit 9	Option Card External fault (EF0)
	bit A	Motor Switch during Run (rUn)
	bit B	Reserved
	bit C	Serial Communication Transmission Error (CALL)
	bit D	Undertorque Detection 1 (UL3)
	bit E	Undertorque Detection 2 (UL4)
bit F	MEMOBUS/Modbus Communication Test Mode Error (SE)	
00CAH	Alarm Contents 4	
	bit 0	Reserved
	bit 1	Motor Overheat Alarm (PTC Input) (oH3)
	bit 2 to 5	Reserved
	bit 6	PID Feedback Loss (FbL)
	bit 7	Excessive PID Feedback (FbH)
	bit 9	Drive Disabled (dnE)
	bit A	PG Disconnect (PGo)
bit B to F	Reserved	
00CBH	Alarm Contents 5	
	bit 0	MECHATROLINK Watchdog Timer Error (E5)
	bit 1	Station Address Setting Error (AEr)
	bit 2	MECHATROLINK Comm. Cycle Setting Error (CyC)
	bit 3	Current Alarm (HCA)
	bit 4	Cooling Fan Maintenance Time (LT-1)
	bit 5	Maintenance Time (LT-2)
	bit 6	Damping Resistor Overheat (doH)
	bit 7	SI-S EEPROM Error (EEP)
	bit 8	External Fault 1 (input terminal S1) (EF1)
	bit 9	External Fault 2 (input terminal S2) (EF2)
	bit A	Safe Disable Signal Input (HbbF)
	bit B	Safe Disable Signal Input (Hbb)
	bit C	Mechanical Weakening Detection 1 (oL5)
	bit D	Mechanical Weakening Detection 2 (UL5)
bit E, F	Reserved	
00CCH	Alarm Contents 6	
	bit 0, 1	Reserved
	bit 2	Capacitor Maintenance Time (LT-3)
	bit 3 to 7	Reserved
	bit 8	DriveWorksEZ Fault (dWAL)
bit 9 to F	Reserved	

Register No.	Contents		
00CDH	Alarm Contents 7		
	bit 0	Power Supply Frequency Fault Detection (Fdv)	
	bit 1	Phase Order Detection Fault (SrC)	
	bit 2	Reserved	
	bit 3	Power Supply Undervoltage (AUv)	
00CEH	bit 4 to F		Reserved
	Alarm Contents 8		
	bit 0 to D	Reserved	
00CEH	bit E	Snubber Discharge Resistor Overheat (SoH)	
	bit F	Reserved	
00CFH	Reserved		
00D0H	CPF Contents 1		
	bit 0, 1	Reserved	
	bit 2	Control Circuit Error (CPF02)	
	bit 3	Control Circuit Error (CPF03)	
	bit 4, 5	Reserved	
	bit 6	Control Circuit Error (CPF06)	
	bit 7	Control Circuit Error (CPF07)	
	bit 8	Control Circuit Error (CPF08)	
	bit 9, A	Reserved	
	bit B	Control Circuit Error (CPF11)	
	bit C	Control Circuit Error (CPF12)	
	bit D	Control Circuit Error (CPF13)	
	bit E	Control Circuit Error (CPF14)	
	bit F	Reserved	
00D1H	CPF Contents 2		
	bit 0	Control Circuit Error (CPF16)	
	bit 1	Control Circuit Error (CPF17)	
	bit 2	Control Circuit Error (CPF18)	
	bit 3	Control Circuit Error (CPF19)	
	bit 4	Control Circuit Error (CPF20)	
	bit 5	Control Circuit Error (CPF21)	
	bit 6	Control Circuit Error (CPF22)	
	bit 7	Control Circuit Error (CPF23)	
	bit 8	Control Circuit Error (CPF24)	
	bit 9	Terminal Board not Connected (CPF25)	
	bit A	Control Circuit Error (CPF26)	
	bit B	Control Circuit Error (CPF27)	
	bit C	Control Circuit Error (CPF28)	
	bit D	Control Circuit Error (CPF29)	
bit E	Control Circuit Error (CPF30)		
bit F	Control Circuit Error (CPF31)		

## C.9 MEMOBUS/Modbus Data Table

Register No.	Contents	
00D2H	CPF Contents 3	
	bit 0	Control Circuit Error (CPF32)
	bit 1	Control Circuit Error (CPF33)
	bit 2	Control Circuit Error (CPF34)
	bit 3	Control Circuit Error (CPF35)
	bit 4 to 7	Reserved
	bit 8	Control Circuit Error (CPF40)
	bit 9	Control Circuit Error (CPF41)
	bit A	Control Circuit Error (CPF42)
	bit B	Control Circuit Error (CPF43)
	bit C	Control Circuit Error (CPF44)
	bit D	Control Circuit Error (CPF45)
bit E, F	Reserved	
00D3H to 00D7H	Reserved	
00D8H	oFA0□ Contents (CN5-A)	
	bit 0	Option Compatibility Error (oFA00)
	bit 1	Option not properly connected (oFA01)
	bit 2	Same type of option card already connected (oFA02)
	bit 3, 4	Reserved
	bit 5	A/D Conversion Error (oFA05)
	bit 6	Option Response Error (oFA06)
bit 7 to F	Reserved	
00D9H	oFA1□ Contents (CN5-A)	
	bit 0	Option RAM Fault (oFA10)
	bit 1	Option Operation Mode Fault (SLMOD) (oFA11)
	bit 2	Unit Receive CRC Error (oFA12)
	bit 3	Unit Receive Frame Error (oFA13)
	bit 4	Unit Receive Abort Error (oFA14)
	bit 5	Option Receive CRC Error (oFA15)
	bit 6	Option Receive Frame Error (oFA16)
	bit 7	Option Receive Abort Error (oFA17)
bit 8 to F	Reserved	
00DAH to 00DBH	Reserved	
00DBH	oFA3□ Contents (CN5-A)	
	bit 0	Comm. ID Error (oFA30)
	bit 1	Model Code Error (oFA31)
	bit 2	Sumcheck Error (oFA32)
	bit 3	Comm. option timeout waiting for response (oFA33)
	bit 4	MEMOBUS Timeout (oFA34)
	bit 5	Unit timeout waiting for response (oFA35)
	bit 6	CI Check Error (oFA36)
	bit 7	Unit timeout waiting for response (oFA37)
	bit 8	Control Command Selection Error (oFA38)
	bit 9	Unit timeout waiting for response (oFA39)
	bit A	Control Response Selection 1 Error (oFA40)
	bit B	Unit timeout waiting for response (oFA41)
	bit C	Control Response Selection 2 Error (oFA42)
	bit D	Control Response Selection Error (oFA43)
bit E, F	Reserved	

Register No.	Contents	
00DCH	oFb0□ Contents (CN5-B)	
	bit 0	Option compatibility error (oFb00)
	bit 1	Option not properly connected (oFb01)
	bit 2	Same type of option card already connected (oFb02)
	bit 3, 4	Reserved
	bit 5	A/D Conversion Fault (oFb05)
	bit 6	Option Response Error (oFb06)
	bit 7 to F	Reserved
00DDH	oFb1□ Contents (CN5-B)	
	bit 0	Option RAM Fault (oFb10)
	bit 1	Option Operation Mode Fault (SLMOD) (oFb11)
	bit 2	Unit Receive CRC Error (oFb12)
	bit 3	Unit Receive Frame Error (oFb13)
	bit 4	Unit Receive Abort Error (oFb14)
	bit 5	Option Receive CRC Error (oFb15)
	bit 6	Option Receive Frame Error (oFb16)
	bit 7	Option Receive Abort Error (oFb17)
bit 8 to F	Reserved	
00DEH to 00DFH	Reserved	
00E0H	oFb3□ Contents (CN5-B)	
	bit 0	Comm. ID Error (oFb30)
	bit 1	Model Code Error (oFb31)
	bit 2	Sumcheck Error (oFb32)
	bit 3	Comm. option timeout waiting for response (oFb33)
	bit 4	MEMOBUS Timeout (oFb34)
	bit 5	Unit timeout waiting for response (oFb35)
	bit 6	CI Check Error (oFb36)
	bit 7	Unit timeout waiting for response (oFb37)
	bit 8	Control Command Selection Error (oFb38)
	bit 9	Unit timeout waiting for response (oFb39)
	bit A	Control Response Selection 1 Error (oFb40)
	bit B	Unit timeout waiting for response (oFb41)
	bit C	Control Response Selection 2 Error (oFb42)
	bit D	Control Response Selection Error (oFb43)
bit E, F	Reserved	
00E1H	oFC0□ Contents (CN5-C)	
	bit 0	Option compatibility error (oFC00)
	bit 1	Option not properly connected (oFC01)
	bit 2	Same type of option card already connected (oFC02)
	bit 3, 4	Reserved
	bit 5	A/D Conversion Fault (oFC05)
	bit 6	Option Response Error (oFC06)
	bit 7 to F	Reserved

## C.9 MEMOBUS/Modbus Data Table

Register No.	Contents	
00E2H	oFC1□ Contents (CN5-C)	
	bit 0	Option RAM Fault (oFC10)
	bit 1	Option Operation Mode Fault (SLMOD) (oFC11)
	bit 2	Unit Receive CRC Error (oFC12)
	bit 3	Unit Receive Frame Error (oFC13)
	bit 4	Unit Receive Abort Error (oFC14)
	bit 5	Option Receive CRC Error (oFC15)
	bit 6	Option Receive Frame Error (oFC16)
	bit 7	Option Receive Abort Error (oFC17)
bit 8 to F	Reserved	
00E3H	Reserved	
00E4H	oFC5□ Contents (CN5-C)	
	bit 0	Encoder Option AD Conversion Error (oFC50)
	bit 1	Encoder Option Analog Circuit Error (oFC51 )
	bit 2	Encoder Communication Timeout (oFC52 )
	bit 3	Encoder Communication Data Error (oFC53)
	bit 4	Encoder Error (oFC54)
	bit 5	Resolver Error (oFC55)
bit 6 to F	Reserved	
00E5H to 00E9H	Reserved	
00EAH	Fault contents 11	
	bit 0 to 6	Reserved
	bit 7	Damping Resistor Overheat (doH)
	bit 8	Snubber Discharge Resistor Overheat (SoH)
	bit 9	Internal Resistance Fault (Srr)
	bit A to D	Reserved
	bit E	Safety Circuit Fault (SCF)
bit F	Reserved	
00EBH to 00FAH	Reserved	
00FBH	Output Current	

- <1> Parameter o1-03, Digital Operator Display Selection, determines the units.
- <2> Display is in the following units:  
 2□0028, 2□0042, and 4□0011 to 4□0027: 0.01 A units  
 2□0054 to 2□0248 and 4□0034 to 4□0414: 0.1 A units
- <3> Communication error contents are saved until the fault is reset.
- <4> Set the number of motor poles to parameter E2-04, E4-04, or E5-04 depending on the motor being used.

## ◆ Broadcast Messages

Data can be written from the master to all slave devices at the same time.

The slave address in a broadcast command message must be set to 00H. All slaves will receive the message, but will not respond.

Register No.	Contents	
0001H	Digital Input Command	
	bit 0	Forward Run (0: Stop 1: Run)
	bit 1	Direction Command (0: Forward, 1: Reverse)
	bit 2, 3	Reserved
	bit 4	External Fault
	bit 5	Fault Reset
	bit 6 to B	Reserved
	bit C	Multi-Function Digital Input S5
	bit D	Multi-Function Digital Input S6
	bit E	Multi-Function Digital Input S7
bit F	Multi-Function Digital Input S8	
0002H	Frequency Reference	30000/100%

## ◆ Fault Trace Contents

The table below shows the fault codes that can be read out by MEMOBUS/Modbus commands from the U2-□□ monitor parameters.

Table C.5 Fault Trace / History Register Contents

Fault Code	Fault Name	Fault Code	Fault Name
0002H	Control Circuit Undervoltage Fault (Uv1)	0021H	MEMOBUS/Modbus Communication Error (CE)
0003H	Control Power Supply Voltage Fault (Uv2)	0022H	Option Communication Error (bUS)
0004H	Undervoltage 3 (Uv3)	0025H	Control Fault (CF)
0006H	Ground Fault (GF)	0026H	Zero-Servo Fault (SvE)
0007H	Overcurrent (oC)	0027H	Option Card External Fault (EF0)
0008H	Control Circuit Overvoltage (ov)	0028H	PID Feedback Loss (FbL)
0009H	Heatsink Overheat (oH)	0029H	Undertorque Detection 1 (UL3)
000AH	Overheat 1 (oH1)	002AH	Undertorque Detection 2 (UL4)
000BH	Motor Overload (oL1)	0030H	Hardware Fault (including oFx)
000CH	Overload (oL2)	0032H	Z Pulse Fault (dv1)
000DH	Overtorque Detection 1 (oL3)	0033H	Z Pulse Noise Fault Detection (dv2)
000EH	Overtorque Detection 2 (oL4)	0034H	Inversion Detection (dv3)
0011H	External Fault at Input Terminal S3 (EF3)	0035H	Inversion Prevention Detection (dv4)
0012H	External Fault at Input Terminal S4 (EF4)	0036H	Output Current Imbalance (LF2)
0013H	External Fault at Input Terminal S5 (EF5)	0037H	Pull-Out Detection (Sto)
0014H	External Fault at Input Terminal S6 (EF6)	0038H	PG Hardware Fault (PGoH)
0015H	External Fault at Input Terminal S7 (EF7)	0039H	MECHATROLINK Watchdog Timer Error (E5)
0016H	External Fault at Input Terminal S8 (EF8)	003BH	Too Many Speed Search Restarts (SEr)
0017H	Fan Fault (FAn)	0041H	Excessive PID Feedback (FbH)
0018H	Overspeed (oS)	0042H	External Fault 1, Input Terminal S1 (EF1)
0019H	Speed Deviation (dEv)	0043H	External Fault 2, Input Terminal S2 (EF2)
001AH	PG Disconnect (PGo)	0044H	Mechanical Weakening Detection 1 (oL5)
001CH	Output Phase Loss (LF)	0045H	Mechanical Weakening Detection 2 (UL5)
001DH	Motor Overheat Alarm (PTC input) (oH3)	0046H	Current Offset Fault (CoF)
001EH	Digital Operator Connection Fault (oPr)	0049H	DriveWorksEZ Fault (dWFL)
001FH	EEPROM Write Error (Err)	004AH	EEPROM Memory DriveWorksEZ Data Error (dWF1)
0020H	Motor Overheat Fault (PTC input) (oH4)		

## C.9 MEMOBUS/Modbus Data Table

Fault Code	Fault Name
0051H	LSo Fault (LSo)
0052H	Node Setup Fault (nSE)
005BH	Initial Polarity Estimation Timeout (dv7)
005CH	Ground Fault (GF)
005FH	Power Unit Output Phase Loss 3 (LF3)
0066H	Power Supply Undervoltage (AUv)
0067H	Power Supply Overvoltage (Aov)
0068H	Power Supply Frequency Fault Detection (Fdv)
0069H	Phase Order Detection Fault (SrC)
0081H	Control Circuit Error (CPF00)
0082H	Control Circuit Error (CPF01)
0083H	Control Circuit Error (CPF02)
0084H	Control Circuit Error (CPF03)
0087H	Control Circuit Error (CPF06)
0088H	Control Circuit Error (CPF07)
0089H	Control Circuit Error (CPF08)
008CH	Control Circuit Error (CPF11)
008DH	Control Circuit Error (CPF12)
008EH	Control Circuit Error (CPF13)
008FH	Control Circuit Error (CPF14)
0091H	Control Circuit Error (CPF16)
0092H	Control Circuit Error (CPF17)
0093H	Control Circuit Error (CPF18)
0094H	Control Circuit Error (CPF19)
0095H	Control Circuit Error (CPF20)
0096H	Control Circuit Error (CPF21)
0097H	Control Circuit Error (CPF22)
0098H	Control Circuit Error (CPF23)
0099H	Control Circuit Error (CPF24)
009AH	Terminal Board not Connected (CPF25)
009BH	Control Circuit Error (CPF26)
009CH	Control Circuit Error (CPF27)
009DH	Control Circuit Error (CPF28)
009EH	Control Circuit Error (CPF29)
009FH	Control Circuit Error (CPF30)
00A0H	Control Circuit Error (CPF31)
00A1H	Control Circuit Error (CPF32)
00A2H	Control Circuit Error (CPF33)
00A3H	Control Circuit Error (CPF34)
00A4H	Control Circuit Error (CPF35)
00A9H	Control Circuit Error (CPF40)
00AAH	Control Circuit Error (CPF41)
00ABH	Control Circuit Error (CPF42)
00ACH	Control Circuit Error (CPF43)
00ADH	Control Circuit Error (CPF44)
00AEH	Control Circuit Error (CPF45)
0101H	Option Compatibility Error (oFA00)
0102H	Option Not Properly Connected (oFA01)
0103H	Same Type of Option Card Already Connected (oFA02)
0106H	A/D Conversion Error (oFA05)

Fault Code	Fault Name
0107H	Option Response Error (oFA06)
0111H	Option RAM Fault (oFA10)
0112H	Option Operation Mode Fault (SLMOD) (oFA11)
0113H	Unit Receive CRC Error (oFA12)
0114H	Unit Receive Frame Error (oFA13)
0115H	Unit Receive Abort Error (oFA14)
0116H	Option Receive CRC Error (oFA15)
0117H	Option Receive Frame Error (oFA16)
0118H	Option Receive Abort Error (oFA17)
0131H	Comm. ID Error (oFA30)
0132H	Model Code Error (oFA31)
0133H	Sumcheck Error (oFA32)
0134H	Comm. Option Timeout Waiting for Response (oFA33)
0135H	MEMOBUS Timeout (oFA34)
0136H	Unit Timeout Waiting for Response (oFA35)
0137H	CI Check Error (oFA36)
0138H	Unit Timeout Waiting for Response (oFA37)
0139H	Control Command Selection Error (oFA38)
013AH	Unit Timeout Waiting for Response (oFA39)
013BH	Control Response Selection 1 Error (oFA40)
013CH	Unit Timeout Waiting for Response (oFA41)
013DH	Control Response Selection 2 Error (oFA42)
013EH	Control Response Selection Error (oFA43)
0201H	Option Compatibility Error (oFB00)
0202H	Option Connection Error (oFb01)
0203H	Same Type of Option Card Already Connected (oFb02)
0206H	A/D Conversion Error (oFb05)
0207H	Option Response Error (oFb06)
0211H	Option RAM Fault (oFb10)
0212H	Option Operation Mode Fault (SLMOD) (oFb11)
0213H	Unit Receive CRC Error (oFb12)
0214H	Unit Receive Frame Error (oFb13)
0215H	Unit Receive Abort Error (oFb14)
0216H	Option Receive CRC Error (oFb15)
0217H	Option Receive Frame Error (oFb16)
0218H	Option Receive Abort Error (oFb17)
0232H	Model Code Error (oFb31)
0233H	Sumcheck Error (oFb32)
0234H	Comm. option Timeout Waiting for Response (oFb33)
0235H	MEMOBUS Timeout (oFb34)
0236H	Unit Timeout Waiting for Response (oFb35)
0237H	CI Check Error (oFb36)
0238H	Unit Timeout Waiting for Response (oFb37)
0239H	Control Command Selection Error (oFb38)
023AH	Unit Timeout Waiting for Response (oFb39)
023BH	Control Response Selection 1 Error (oFb40)
023CH	Unit Timeout Waiting for Response (oFb41)
023DH	Control Response Selection 2 Error (oFb42)
023EH	Control Response Selection Error (oFb43)



Fault Code	Fault Name
0301H	Option Compatibility Error (oFC00)
0303H	Option Not Properly Connected (oFC01)
0304H	Same Type of Option Card Already Connected (oFC02)
0306H	A/D Conversion Error (oFC05)
0307H	Option Response Error (oFC06)
0311H	Option RAM Fault (oFC10)
0312H	Option Operation Mode Fault (SLMOD) (oFC11)
0313H	Unit Receive CRC Error (oFC12)
0314H	Unit Receive Frame Error (oFC13)
0315H	Unit Receive Abort Error (oFC14)
0316H	Option Receive CRC Error (oFC15)

Fault Code	Fault Name
0317H	Option Receive Frame Error (oFC16)
0318H	Option Receive Abort Error (oFC17)
0351H	Encoder Option AD Conversion Error (oFC50)
0352H	Encoder Option Analog Circuit Error (oFC51)
0353H	Encoder Communication Timeout (oFC52)
0354H	Encoder Communication Data Error (oFC53)
0355H	Encoder Error (oFC54)
0356H	Resolver Error (oFC55)
0408H	Damping Resistor Overheat (doH)
0409H	Snubber Discharge Resistor Overheat (SoH)
040AH	Internal Resistance Fault (Srr)

### ◆ Alarm Register Contents

The table below shows the alarm codes that can be read out from MEMOBUS/Modbus register 007FH.

Table C.6 Alarm Register 007FH Contents

Fault Code	Fault Name
0001H	Control Circuit Undervoltage (Uv)
0002H	Control Circuit Overvoltage (ov)
0003H	Heatsink Overheat (oH)
0004H	Heatsink Overheat Warning (oH2)
0005H	Overtorque 1 (oL3)
0006H	Overtorque 2 (oL4)
0007H	Forward/Reverse Run commands input error (EF)
0008H	Baseblock (bb)
0009H	External Fault 3, input terminal S3 (EF3)
000AH	External Fault 4, input terminal S4 (EF4)
000BH	External Fault 5, input terminal S5 (EF5)
000CH	External Fault 6, input terminal S6 (EF6)
000DH	External Fault 7, input terminal S7 (EF7)
000EH	External Fault 8, input terminal S8 (EF8)
000FH	Fan Fault (FAn)
0010H	Overspeed (oS)
0012H	PG Disconnect (PGo)
0014H	MEMOBUS/Modbus Communication Error (CE)
0015H	Option Communication Error (bUS)
0016H	Serial Communication Transmission Error (CALL)
001AH	Option Card External Fault (EF0)
001BH	Motor Switch command input during run (rUn)
001DH	Serial Communication Transmission Error (CALL)
001EH	Undertorque Detection 1 (UL3)
001FH	Undertorque Detection 2 (UL4)

Fault Code	Fault Name
0020H	MEMOBUS/Modbus Communication Test Mode Error (SE)
0022H	Motor Overheat (oH3)
0027H	PID Feedback Loss (FbL)
0028H	Excessive PID Feedback (FbH)
002AH	Drive Disabled (dnE)
002BH	PG Disconnect (PGo)
0031H	MECHATROLINK Watchdog Timer Error (E5)
0032H	Station Address Setting Error (AEr)
0033H	MECHATROLINK Comm. Cycle Setting Error (CyC)
0034H	Current Alarm (HCA)
0035H	Cooling Fan Maintenance Time (LT-1)
0036H	Capacitor Maintenance Time (LT-2)
0037H	Damping Resistor Overheat (doH)
0038H	SI-S EEPROM Error (EEP)
0039H	External Fault (input terminal S1) (EF1)
003AH	External Fault (input terminal S2) (EF2)
003BH	Safe Disable Signal Input (HbbF)
003CH	Safe Disable Signal Input (Hbb)
003DH	Mechanical Weakening Detection 1 (oL5)
003EH	Mechanical Weakening Detection 2 (UL5)
0043H	Soft Charge Bypass Relay Maintenance Time (LT-3)
0049H	DriveWorksEZ Fault (dWAL)
0050H	Power Supply Undervoltage (AUv)

# C.10 Enter Command

When writing parameters to the drive from the PLC using MEMOBUS/Modbus communication, parameter H5-11 determines whether an Enter command must be issued to enable these parameters. This section describes the types and functions of the Enter commands.

### ◆ Enter Command Types

The drive supports two types of Enter commands as shown in [Table C.7](#). An Enter command is enabled by writing 0 to register numbers 0900H or 0910H. It is only possible to write to these registers; attempting to read from these registers will cause an error.

**Table C.7 Enter Command Types**

Register No.	Description
0900H	Simultaneously writes data into the EEPROM (non-volatile memory) of the drive and enables the data in RAM. Parameter changes remain after cycling power.
0910H	Writes data in the RAM only. Parameter changes are lost when the drive is shut off.

**Note:** The EEPROM can only be written to 100,000 times, so it is recommended to limit the number of times writing to the EEPROM. The Enter command registers are write-only and if these registers are read, the register address will be invalid (Error code: 02H). An Enter command is not required when reference or broadcast data are sent to the drive.

## C.11 Communication Errors

### ◆ MEMOBUS/Modbus Error Codes

A list of MEMOBUS/Modbus errors appears below.

When an error occurs, remove whatever caused the error and restart communications.

Error Code	Error Name
	Cause
01H	Function Code Error
	Attempted to set a function code from a PLC other than 03H, 08H, and 10H.
02H	Register Number Error
	<ul style="list-style-type: none"> <li>A register number specified in the command message does not exist.</li> <li>Attempted to send a broadcast message using other register numbers than 0001H or 0002H.</li> </ul>
03H	Bit Count Error
	<ul style="list-style-type: none"> <li>Read data or write data is greater than 16 bits. Invalid command message quantity.</li> <li>In a write message, the “Number of Data Items” contained within the message does not equal twice the amount of data words (i.e., the total of Data 1+ Data 2, etc.).</li> </ul>
21H	Data Setting Error
	<ul style="list-style-type: none"> <li>Control data or parameter write data is outside the allowable setting range.</li> <li>Attempted to write a contradictory parameter setting.</li> </ul>
22H	Write Mode Error
	<ul style="list-style-type: none"> <li>During run, the user attempted to write a parameter that cannot be written to during run.</li> <li>During a control circuit error (CPF06), the master attempted to write to a parameter other than A1-00 to A1-05, E1-03, or o2-04.</li> <li>Attempted to write to read-only data.</li> </ul>
23H	Control Circuit Undervoltage Write Error
	During an undervoltage situation, the master attempted to write to parameters that cannot be written to during undervoltage.
24H	Write Error During Parameter Process
	Master attempted writing to the drive while the unit was processing parameter data.
25H	Writing into EEPROM Disabled
	An attempt was made to write data into EEPROM by MEMOBUS/Modbus communications when writing EEPROM is not possible. (When this error code occurs, an error message is displayed and the drive continues operation.)

### ◆ Slave Not Responding

In the following situations, the slave drive will ignore the command message sent from the master, and not send a response message:

- When a communications error (overrun, framing, parity, or CRC-16) is detected in the command message.
- When the slave address in the command message and the slave address in the unit do not match (remember to set the slave address for the drive using H5-01).
- When the gap between two blocks (8-bit) of a message exceeds 24 bits.
- When the command message data length is invalid.

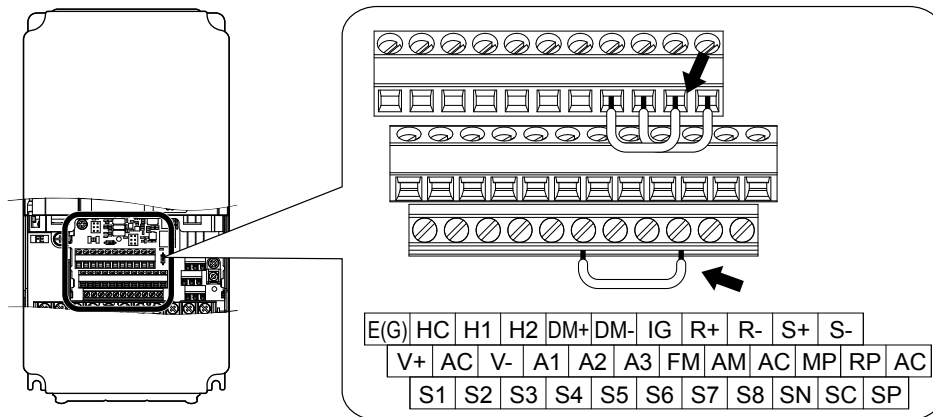
**Note:** If the slave address specified in the command message is 00H, all slaves execute the write function, but do not return response messages to the master.

## C.12 Self-Diagnostics

The drive has a built-in self-diagnosing function of the serial communication interface circuits. To perform the self-diagnosis function, use the following procedure.

**DANGER! Electrical Shock Hazard.** Do not connect or disconnect wiring while the power is on. Failure to comply will result in death or serious injury. Before servicing, disconnect all power to the equipment. The capacitor for the control power supply remains charged even after the power supply is turned off. The charge indicator LED will extinguish when the control power supply voltage is below 50 Vdc. To prevent electric shock, wait at least one minute after all indicators are OFF and measure the control power supply voltage level to confirm safe level.

1. Turn on the power to the drive.
2. Note the present terminal S6 function selection setting (H1-06) and set it for the communications test mode (H1-06 = 67).
3. Turn off the power to the drive.
4. With the power off, wire the drive as shown in **Figure C.7**, connecting terminals R+ and S+, R- and S-, and S6 and SN.



**Figure C.7 Terminal Connections for Communication Self-Diagnostics**

5. Verify that terminals SC to SP are connected by wire jumper.
6. Turn the power to the drive back on.
7. During normal operation, the drive will display “PASS” to indicate that the communications test mode is operating normally.  
When a fault occurs, the drive will display “CE” on the keypad display.
8. Turn off the power supply.
9. Remove the wire jumpers from terminal R+, R-, S+, S-, and S6-SN. Reset jumper SC to SP to its original position and set terminal S6 to its original function.
10. Return to normal operation.

# Appendix: D

## Standards Compliance

---

This appendix explains the guidelines and criteria for maintaining CE and UL standards.

<b>D.1</b>	<b>SECTION SAFETY.....</b>	<b>594</b>
<b>D.2</b>	<b>EUROPEAN STANDARDS.....</b>	<b>596</b>
<b>D.3</b>	<b>UL AND CSA STANDARDS.....</b>	<b>599</b>
<b>D.4</b>	<b>SAFE DISABLE INPUT.....</b>	<b>610</b>

## D.1 Section Safety

### DANGER

#### Electrical Shock Hazard

**Before servicing, disconnect all power to the equipment.**

The capacitor for the control power supply remains charged even after the power supply is turned off. The charge indicator LED will extinguish when the control power supply voltage is below 50 Vdc. To prevent electric shock, wait for at least the time specified on the warning label, once all indicators are OFF, measure for unsafe voltages to confirm the drive is safe prior to servicing.

Failure to comply will result in death or serious injury.

### WARNING

#### Electrical Shock Hazard

**Do not operate equipment with covers removed.**

Failure to comply could result in death or serious injury.

The diagrams in this section may show drives without covers or safety shields to show details. Be sure to reinstall covers or shields before operating the drives and run the drives according to the instructions described in this manual.

**Always ground the motor-side grounding terminal.**

Improper equipment grounding could result in death or serious injury by contacting the motor case.

**Do not touch any terminals before the capacitors have fully discharged.**

Failure to comply could result in death or serious injury.

Before wiring terminals, disconnect all power to the equipment. The capacitor for the control power supply remains charged even after the power supply is turned off. After shutting off the power, wait for at least the amount of time specified on the drive before touching any components.

**Do not allow unqualified personnel to perform work on the drive.**

Failure to comply could result in death or serious injury.

Installation, maintenance, inspection, and service must be performed only by authorized personnel familiar installation, adjustment, and maintenance of drives.

**Do not perform work on the drive while wearing loose clothing, jewelry or without eye protection.**

Failure to comply could result in death or serious injury.

Remove all metal objects such as watches and rings, secure loose clothing, and wear eye protection before beginning work on the drive.

**Do not remove covers or touch circuit boards while the power is on.**

Failure to comply could result in death or serious injury.

#### Fire Hazard

**Tighten all terminal screws to the specified tightening torque.**

Loose electrical connections could result in death or serious injury by fire due to overheating of electrical connections.

**Do not use an improper voltage source.**

Failure to comply could result in death or serious injury by fire.

Verify that the rated voltage of the drive matches the voltage of the incoming power supply before applying power.

**Do not use improper combustible materials.**

Failure to comply could result in death or serious injury by fire.

Attach the drive to metal or other noncombustible material.

**NOTICE**

**Observe proper electrostatic discharge procedures (ESD) when handling the drive and circuit boards.**

Failure to comply may result in ESD damage to the drive circuitry.

**Never connect or disconnect the motor from the drive while the drive is outputting voltage.**

Improper equipment sequencing could result in damage to the drive.

**Do not use unshielded wire for control wiring.**

Failure to comply may cause electrical interference resulting in poor system performance. Use shielded twisted-pair wires and ground the shield to the ground terminal of the drive.

**Do not modify the drive circuitry.**

Failure to comply could result in damage to the drive and will void warranty.

Yaskawa is not responsible for modification of the product made by the user. This product must not be modified.

**Check all the wiring to ensure that all connections are correct after installing the drive and connecting other devices.**

Failure to comply could result in damage to the drive.

**If a fuse is blown or a Ground Fault Circuit Interrupter (GFCI) is tripped, check the wiring and the selection of the peripheral devices.**

Contact your supplier if the cause cannot be identified after checking the above.

**Do not restart the drive immediately operate the peripheral devices if a fuse is blown or a GFCI is tripped.**

Check the wiring and the selection of peripheral devices to identify the cause. Contact your supplier before restarting the drive or the peripheral devices if the cause cannot be identified.

## D.2 European Standards



Figure D.1 CE Mark

The CE mark indicates that a product is in compliance with applicable European Directives for safety and environmental regulations. It is required for engaging in business and commerce in Europe.

The applicable European Directives for this product are as follows. We declared the CE marking based on the harmonized standards in [Table D.1](#).

Table D.1 European Directives

Applicable European Directive	Applicable Harmonized Standards
Low Voltage Directive (2006/95/EC)	IEC/EN618995-1: 2007
EMC Guidelines (2004/108/EC)	IEC/EN 61800-3: 2004
Machinery Directive (2006/42/EC)	ISO/EN ISO 13849-1/AC: 2009 IEC/EN 62061: 2005 (SILCL3) IEC/EN 61800-5-2: 2007 (SIL3)

The user(s) is solely responsible for ensuring that the end products used with this drive comply with all applicable European directives and with other national regulations (if required).

### ◆ CE Low Voltage Directive Compliance

This drive has been tested according to European standard IEC/EN 61800-5-1, and it fully complies with the Low Voltage Directive.

To comply with the Low Voltage Directive, be sure to meet the following conditions when combining this drive with other devices:

#### ■ Area of Use

Do not use drives in areas with pollution higher than severity 2 and overvoltage category 3 in accordance with IEC/EN 664.

#### ■ Grounding

The drive is designed to be used in T-N (grounded neutral point) networks. If installing the drive in other types of grounded systems, contact your Yaskawa representative for instructions. [Refer to Enable the Internal EMC Filter on page 99](#) for details.

#### ■ Guarding Against Harmful Materials

When installing IP00/Open Type enclosure drives, use an enclosure that prevents foreign material from entering the drive from above or below.

### ◆ EMC Guidelines Compliance

Models U□□E□□□□ and U□□W□□□□ have built-in EMC filters, are tested according to European standards IEC/EN 61800-3: 2004, and comply with EMC guidelines. Use drives with built-in EMC filters to comply with EMC guidelines.

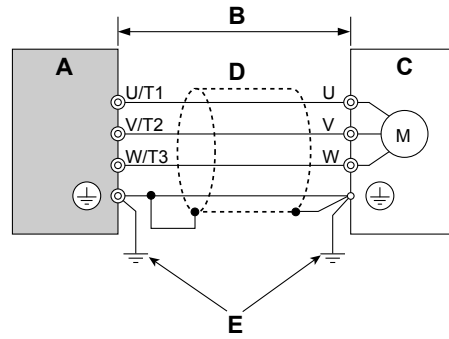
#### ■ EMC Filter Installation

##### Installation Method

Verify the following installation conditions to ensure that other devices and machinery used in combination with drive models U□□E□□□□ and U□□W□□□□ also comply with EMC guidelines.

1. Place the drive in the enclosure.
2. Use braided shield cable for the drive and motor wiring, or run the wiring through a metal conduit.
3. Keep wiring as short as possible. Ground the shield on both the drive side and the motor side.



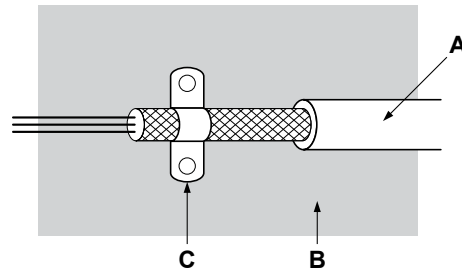


- A – Drive
- B – 10 m max cable length between drive and motor
- C – Motor
- D – Metal conduit
- E – Ground wire should be as short as possible.

Figure D.2 Installation Method

4. Make sure the protective earthing conductor complies with technical standards and local safety regulations.

**WARNING!** *Electrical Shock Hazard. Because the leakage current exceeds 3.5 mA in models 4□0302 and larger, IEC/EN 61800-5-1 states that either the power supply must be automatically disconnected in case of discontinuity of the protective earthing conductor, or a protective earthing conductor with a cross-section of at least 10 mm<sup>2</sup> (Cu) or 16 mm<sup>2</sup> (Al) must be used. Failure to comply may result in death or serious injury.*

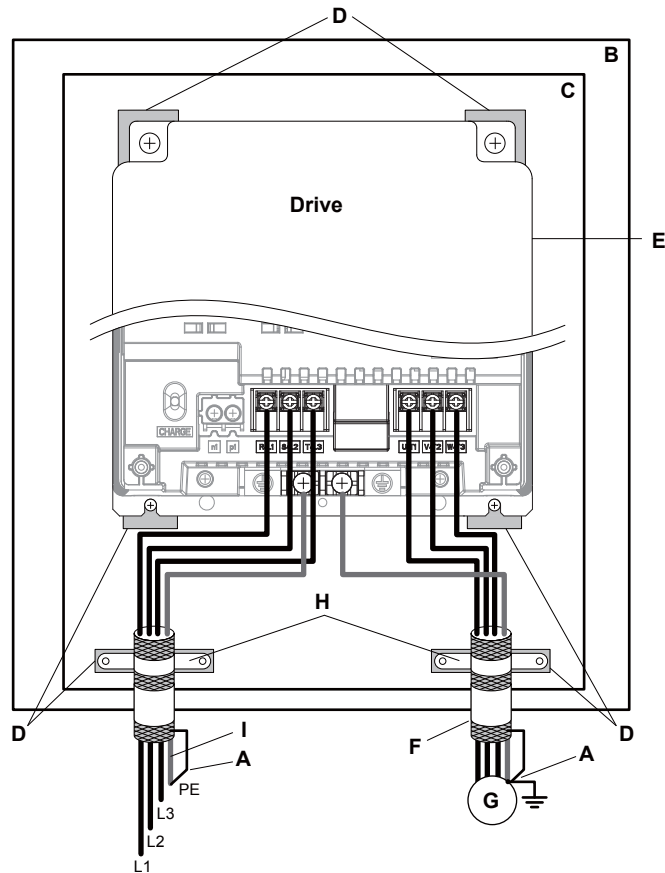


- A – Braided shield cable
- B – Metal panel
- C – Cable clamp (conductive)

Figure D.3 Ground Area

## D.2 European Standards

### Three-Phase 200 V / 400 V Class



**A** – Ground the cable shield  
**B** – Enclosure panel  
**C** – Metal plate  
**D** – Grounding surface (remove any paint or sealant)  
**E** – Drive

**F** – Motor cable (braided shield cable, max. 10 m)  
**G** – Motor  
**H** – Cable clamp  
**I** – Ground plate (scrape off any visible paint)

Figure D.4 EMC Filter and Drive Installation for CE Compliance (Three-Phase 200 V / 400 V Class)

## D.3 UL and CSA Standards

### ◆ UL Standards Compliance

The UL/cUL mark applies to products in the United States and Canada. It indicates that UL has performed product testing and evaluation, and determined that their stringent standards for product safety have been met. For a product to receive UL certification, all components inside that product must also receive UL certification.



Figure D.5 UL/cUL Mark

This drive is tested in accordance with UL standard UL508C and complies with UL requirements. The conditions described below must be met to maintain compliance when using this drive in combination with other equipment:

#### ■ Installation Area

Do not install the drive to an area greater than pollution degree 2 (UL standard).

#### ■ Ambient Temperature

IP20/NEMA Type 1 Enclosure: -10 to +40 °C

IP00 Open Type Enclosure: -10 to +50 °C

#### ■ Main Circuit Terminal Wiring

Yaskawa recommends using closed-loop crimp terminals on all drive models. Use only the tools recommended by the terminal manufacturer for crimping. [Refer to Closed-Loop Crimp Terminal Recommendations on page 604](#) for closed-loop crimp terminal recommendations.

The wire gauges listed in the following tables are Yaskawa recommendations. Refer to local codes for proper wire gauge selections.

**Note:** The ⊕ mark indicates the terminals for protective ground connection as defined in IEC/EN 60417-5019.  
Grounding impedance:  
200 V: 100 Ω or less  
400 V: 10 Ω or less

#### ■ Three-Phase 200 V Class

Table D.2 Wire Gauge and Torque Specifications (Three-Phase 200 V Class)

Drive Model	Terminal	For USA and Canada		For South America		Screw Size	Tightening Torque N·m (lb.in.)
		Recomm. Gauge mm <sup>2</sup> (AWG, kcmil)	Wire Range mm <sup>2</sup> (AWG, kcmil)	Recomm. Gauge mm <sup>2</sup> (AWG, kcmil)	Wire Range mm <sup>2</sup> (AWG, kcmil)		
2□0028	R/L1, S/L2, T/L3	10 (8)	6 to 10 (10 to 8)	4 (12)	2.5 to 10 (14 to 8)	M5	2.3 to 2.7 (20.4 to 23.9)
	U/T1, V/T2, W/T3	10 (8)	6 to 10 (10 to 8)	4 (12)	2.5 to 10 (14 to 8)	M5	
	⊕	10 (8)	6 to 16 (10 to 6)	6 (10)	6 to 16 (10 to 5)	M6	3.9 to 4.9 (34.7 to 43.4)
	p1, n1	2.5 (14)	2.5 to 4 (14 to 12)	2.5 (14)	2.5 to 4 (14 to 12)	M4	1 to 1.4 (8.9 to 12.4)

### D.3 UL and CSA Standards

Drive Model	Terminal	For USA and Canada		For South America		Screw Size	Tightening Torque N·m (lb.in.)
		Recomm. Gauge mm <sup>2</sup> (AWG, kcmil)	Wire Range mm <sup>2</sup> (AWG, kcmil)	Recomm. Gauge mm <sup>2</sup> (AWG, kcmil)	Wire Range mm <sup>2</sup> (AWG, kcmil)		
2□0042	R/L1, S/L2, T/L3	16 (6)	10 to 25 (8 to 3)	10 (8)	6 to 25 (10 to 3)	M6	4 to 6 (35.4 to 53.1)
	U/T1, V/T2, W/T3	16 (6)	10 to 25 (8 to 3)	10 (8)	6 to 25 (10 to 3)	M6	
	⊕	10 (8)	6 to 25 (10 to 3)	10 (8)	6 to 25 (10 to 3)	M8	8.8 to 10.8 (78.1 to 95.5)
	p1, n1	2.5 (14)	2.5 to 4 (14 to 12)	2.5 (14)	2.5 to 4 (14 to 12)	M4	1 to 1.4 (8.9 to 12.4)
2□0054	R/L1, S/L2, T/L3	25 (4)	16 to 25 (6 to 3)	16 (5)	10 to 25 (8 to 3)	M6	4 to 6 (35.4 to 53.1)
	U/T1, V/T2, W/T3	25 (4)	16 to 25 (6 to 3)	16 (5)	10 to 25 (8 to 3)	M6	
	⊕	16 (6)	10 to 25 (8 to 3)	10 (8)	10 to 25 (8 to 3)	M8	8.8 to 10.8 (78.1 to 95.5)
	p1, n1	2.5 (14)	2.5 to 4 (14 to 12)	2.5 (14)	2.5 to 4 (14 to 12)	M4	1 to 1.4 (8.9 to 12.4)
2□0068	R/L1, S/L2, T/L3	25 (4)	25 (4 to 3)	16 (5)	16 to 25 (5 to 3)	M6	4 to 6 (35.4 to 53.1)
	U/T1, V/T2, W/T3	25 (4)	25 (4 to 3)	16 (5)	16 to 25 (5 to 3)	M6	
	⊕	16 (6)	16 to 25 (6 to 3)	16 (5)	16 to 25 (5 to 3)	M8	8.8 to 10.8 (78.1 to 95.5)
	p1, n1	2.5 (14)	2.5 to 4 (14 to 12)	2.5 (14)	2.5 to 4 (14 to 12)	M4	1 to 1.4 (8.9 to 12.4)
2□0081	R/L1, S/L2, T/L3	16 × 2 (6 × 2P)	16 to 25 × 2 (6 to 3 × 2P)	25 (3)	16 to 25 (5 to 3 × 2P)	M6	4 to 6 (35.4 to 53.1)
	U/T1, V/T2, W/T3	16 × 2 (6 × 2P)	16 to 25 × 2 (6 to 3 × 2P)	25 (3)	16 to 25 (5 to 3 × 2P)	M6	
	⊕	16 (6)	16 to 25 (6 to 3)	16 (5)	16 to 25 (5 to 3)	M8	8.8 to 10.8 (78.1 to 95.5)
	p1, n1	2.5 (14)	2.5 to 4 (14 to 12)	2.5 (14)	2.5 to 4 (14 to 12)	M4	1 to 1.4 (8.9 to 12.4)
2□0104	R/L1, S/L2, T/L3	35 (1)	16 to 50 × 2 (6 to 1/0 × 2P)	35 (1)	10 to 50 × 2P (8 to 1/0 × 2P)	M8	8 to 10 (70.8 to 88.5)
	U/T1, V/T2, W/T3	35 (1)	16 to 50 × 2 (6 to 1/0 × 2P)	35 (1)	10 to 50 × 2P (8 to 1/0 × 2P)	M8	
	⊕	25 (4)	25 to 35 (4 to 1)	25 (3)	10 to 35 (8 to 1)	M8	8.8 to 10.8 (78.1 to 95.5)
	p1, n1	2.5 (14)	2.5 to 4 (14 to 12)	2.5 (14)	2.5 to 4 (14 to 12)	M4	1.2 to 2.0 (10.6 to 17.7)
2□0130	R/L1, S/L2, T/L3	25 × 2 (4 × 2P)	16 to 50 × 2 (6 to 1/0 × 2P)	16 × 2P (5 × 2P)	10 to 50 × 2P (8 to 1/0 × 2P)	M8	8 to 10 (70.8 to 88.5)
	U/T1, V/T2, W/T3	25 × 2 (4 × 2P)	16 to 50 × 2 (6 to 1/0 × 2P)	16 × 2P (5 × 2P)	10 to 50 × 2P (8 to 1/0 × 2P)	M8	
	⊕	25 (4)	25 to 35 (4 to 1)	16 (5)	16 to 35 (5 to 1)	M8	8.8 to 10.8 (78.1 to 95.5)
	p1, n1	2.5 (14)	2.5 to 4 (14 to 12)	2.5 (14)	2.5 to 4 (14 to 12)	M4	1.2 to 2.0 (10.6 to 17.7)
2□0154	R/L1, S/L2, T/L3	25 × 2 (3 × 2P)	25 to 95 × 2 (4 to 4/0 × 2P)	25 × 2P (3 × 2P)	16 to 95 × 2P (5 to 4/0 × 2P)	M10	15 to 20 (133 to 177)
	U/T1, V/T2, W/T3	25 × 2 (3 × 2P)	25 to 95 × 2 (4 to 4/0 × 2P)	25 × 2P (3 × 2P)	16 to 95 × 2P (5 to 4/0 × 2P)	M10	
	⊕	25 (4)	25 to 70 (4 to 2/0)	25 (3)	25 to 70 (3 to 2/0)	M10	17.7 to 22.6 (156 to 200)
	p1, n1	2.5 (14)	2.5 to 4 (14 to 12)	2.5 (14)	2.5 to 4 (14 to 12)	M4	1.2 to 2.0 (10.6 to 17.7)

Drive Model	Terminal	For USA and Canada		For South America		Screw Size	Tightening Torque N·m (lb.in.)
		Recomm. Gauge mm <sup>2</sup> (AWG, kcmil)	Wire Range mm <sup>2</sup> (AWG, kcmil)	Recomm. Gauge mm <sup>2</sup> (AWG, kcmil)	Wire Range mm <sup>2</sup> (AWG, kcmil)		
2□0192	R/L1, S/L2, T/L3	35 × 2 (1 × 2P)	25 to 95 × 2 (3 to 4/0 × 2P)	35 × 2P (1 × 2P)	25 to 95 × 2P (3 to 4/0 × 2P)	M10	15 to 20 (133 to 177)
	U/T1, V/T2, W/T3	35 × 2 (1 × 2P)	25 to 95 × 2 (3 to 4/0 × 2P)	35 × 2P (1 × 2P)	25 to 95 × 2P (3 to 4/0 × 2P)	M10	
	⊕	25 (3)	25 to 70 (4 to 2/0)	25 (3)	25 to 70 (3 to 2/0)	M10	17.7 to 22.6 (156 to 200)
	p1, n1	2.5 (14)	2.5 to 4 (14 to 12)	2.5 (14)	2.5 to 4 (14 to 12)	M4	1.2 to 2.0 (10.6 to 17.7)
2□0248	R/L1, S/L2, T/L3	70 × 2 (2/0 × 2P)	35 to 95 × 2 (1 to 4/0 × 2P)	50 × 2P (1/0 × 2P)	35 to 95 × 2P (1 to 4/0 × 2P)	M10	15 to 20 (133 to 177)
	U/T1, V/T2, W/T3	70 × 2 (2/0 × 2P)	35 to 95 × 2 (1 to 4/0 × 2P)	50 × 2P (1/0 × 2P)	35 to 95 × 2P (1 to 4/0 × 2P)	M10	
	⊕	25 (3)	25 to 95 (4 to 4/0)	35 (1)	25 to 95 (3 to 4/0)	M12	31.4 to 39.2 (278 to 347)
	p1, n1	2.5 (14)	2.5 to 4 (14 to 12)	2.5 (14)	2.5 to 4 (14 to 12)	M4	1.2 to 2.0 (10.6 to 17.7)

■ Three-Phase 400 V Class

Table D.3 Wire Gauge and Torque Specifications (Three-Phase 400 V Class)

Drive Model	Terminal	For USA and Canada		For South America		Screw Size	Tightening Torque N·m (lb.in.)
		Recomm. Gauge mm <sup>2</sup> (AWG, kcmil)	Wire Range mm <sup>2</sup> (AWG, kcmil)	Recomm. Gauge mm <sup>2</sup> (AWG, kcmil)	Wire Range mm <sup>2</sup> (AWG, kcmil)		
4□0011	R/L1, S/L2, T/L3	2.5 (14)	2.5 to 10 (14 to 8)	2.5 (14)	2.5 to 10 (14 to 8)	M5	2.3 to 2.7 (20.4 to 23.9)
	U/T1, V/T2, W/T3	2.5 (14)	2.5 to 10 (14 to 8)	2.5 (14)	2.5 to 10 (14 to 8)	M5	
	⊕	6 (10)	4 to 16 (12 to 6)	2.5 (14)	2.5 to 16 (14 to 5)	M6	3.9 to 4.9 (34.7 to 43.4)
	p1, n1	2.5 (14)	2.5 to 4 (14 to 12)	2.5 (14)	2.5 to 4 (14 to 12)	M4	1 to 1.4 (8.9 to 12.4)
4□0014	R/L1, S/L2, T/L3	4 (12)	2.5 to 10 (14 to 8)	2.5 (14)	2.5 to 10 (14 to 8)	M5	2.3 to 2.7 (20.4 to 23.9)
	U/T1, V/T2, W/T3	4 (12)	2.5 to 10 (14 to 8)	2.5 (14)	2.5 to 10 (14 to 8)	M5	
	⊕	6 (10)	4 to 16 (12 to 6)	2.5 (14)	2.5 to 16 (14 to 5)	M6	3.9 to 4.9 (34.7 to 43.4)
	p1, n1	2.5 (14)	2.5 to 4 (14 to 12)	2.5 (14)	2.5 to 4 (14 to 12)	M4	1 to 1.4 (8.9 to 12.4)
4□0021	R/L1, S/L2, T/L3	6 (10)	4 to 10 (12 to 8)	2.5 (14)	2.5 to 10 (14 to 8)	M5	2.3 to 2.7 (20.4 to 23.9)
	U/T1, V/T2, W/T3	6 (10)	4 to 10 (12 to 8)	2.5 (14)	2.5 to 10 (14 to 8)	M5	
	⊕	6 (10)	4 to 16 (12 to 6)	2.5 (14)	2.5 to 16 (14 to 5)	M6	3.9 to 4.9 (34.7 to 43.4)
	p1, n1	2.5 (14)	2.5 to 4 (14 to 12)	2.5 (14)	2.5 to 4 (14 to 12)	M4	1 to 1.4 (8.9 to 12.4)
4□0027	R/L1, S/L2, T/L3	10 (8)	6 to 10 (10 to 8)	4 (12)	2.5 to 10 (14 to 8)	M5	2.3 to 2.7 (20.4 to 23.9)
	U/T1, V/T2, W/T3	10 (8)	6 to 10 (10 to 8)	4 (12)	2.5 to 10 (14 to 8)	M5	
	⊕	10 (8)	4 to 16 (12 to 6)	4 (12)	4 to 16 (12 to 5)	M6	3.9 to 4.9 (34.7 to 43.4)
	p1, n1	2.5 (14)	2.5 to 4 (14 to 12)	2.5 (14)	2.5 to 4 (14 to 12)	M4	1 to 1.4 (8.9 to 12.4)

Standards Compliance

### D.3 UL and CSA Standards

Drive Model	Terminal	For USA and Canada		For South America		Screw Size	Tightening Torque N-m (lb.in.)
		Recomm. Gauge mm <sup>2</sup> (AWG, kcmil)	Wire Range mm <sup>2</sup> (AWG, kcmil)	Recomm. Gauge mm <sup>2</sup> (AWG, kcmil)	Wire Range mm <sup>2</sup> (AWG, kcmil)		
4□0034	R/L1, S/L2, T/L3	10 (8)	10 (8)	6 (10)	4 to 10 (12 to 8)	M5	2.3 to 2.7 (20.4 to 23.9)
	U/T1, V/T2, W/T3	10 (8)	10 (8)	6 (10)	4 to 10 (12 to 8)	M5	
	⊕	10 (8)	6 to 16 (10 to 6)	6 (10)	6 to 16 (10 to 5)	M6	3.9 to 4.9 (34.7 to 43.4)
	p1, n1	2.5 (14)	2.5 to 4 (14 to 12)	2.5 (14)	2.5 to 4 (14 to 12)	M4	1 to 1.4 (8.9 to 12.4)
4□0040	R/L1, S/L2, T/L3	10 (8)	10 to 25 (8 to 3)	10 (8)	6 to 25 (10 to 3)	M6	4 to 6 (35.4 to 53.1)
	U/T1, V/T2, W/T3	10 (8)	10 to 25 (8 to 3)	10 (8)	6 to 25 (10 to 3)	M6	
	⊕	10 (8)	10 to 25 (10 to 3)	10 (8)	6 to 25 (10 to 3)	M8	8.8 to 10.8 (78.1 to 95.5)
	p1, n1	2.5 (14)	2.5 to 4 (14 to 12)	2.5 (14)	2.5 to 4 (14 to 12)	M4	1 to 1.4 (8.9 to 12.4)
4□0052	R/L1, S/L2, T/L3	16 (6)	10 to 25 (8 to 3)	10 (8)	10 to 25 (8 to 3)	M6	4 to 6 (35.4 to 53.1)
	U/T1, V/T2, W/T3	16 (6)	10 to 25 (8 to 3)	10 (8)	10 to 25 (8 to 3)	M6	
	⊕	16 (6)	10 to 25 (8 to 3)	10 (8)	10 to 25 (8 to 3)	M8	8.8 to 10.8 (78.1 to 95.5)
	p1, n1	2.5 (14)	2.5 to 4 (14 to 12)	2.5 (14)	2.5 to 4 (14 to 12)	M4	1 to 1.4 (8.9 to 12.4)
4□0065	R/L1, S/L2, T/L3	25 (4)	16 to 25 (6 to 3)	16 (5)	10 to 25 (8 to 3)	M6	4 to 6 (35.4 to 53.1)
	U/T1, V/T2, W/T3	25 (4)	16 to 25 (6 to 3)	16 (5)	10 to 25 (8 to 3)	M6	
	⊕	16 (6)	16 to 25 (6 to 3)	16 (5)	16 to 25 (5 to 3)	M8	8.8 to 10.8 (78.1 to 95.5)
	p1, n1	2.5 (14)	2.5 to 4 (14 to 12)	2.5 (14)	2.5 to 4 (14 to 12)	M4	1 to 1.4 (8.9 to 12.4)
4□0077	R/L1, S/L2, T/L3	25 (3)	25 (4 to 3)	25 (3)	16 to 25 (5 to 3)	M6	4 to 6 (35.4 to 53.1)
	U/T1, V/T2, W/T3	25 (3)	25 (4 to 3)	25 (3)	16 to 25 (5 to 3)	M6	
	⊕	16 (6)	16 to 25 (6 to 3)	16 (5)	16 to 25 (5 to 3)	M8	8.8 to 10.8 (78.1 to 95.5)
	p1, n1	2.5 (14)	2.5 to 4 (14 to 12)	2.5 (14)	2.5 to 4 (14 to 12)	M4	1 to 1.4 (8.9 to 12.4)
4□0096	R/L1, S/L2, T/L3	35 (1)	10 to 50 (8 to 1/0 × 2P)	35 (1)	10 to 50 × 2P (8 to 1/0 × 2P)	M8	8 to 10 (70.8 to 88.5)
	U/T1, V/T2, W/T3	35 (1)	10 to 50 (8 to 1/0 × 2P)	35 (1)	10 to 50 × 2P (8 to 1/0 × 2P)	M8	
	⊕	25 (4)	25 to 35 (4 to 1)	25 (3)	10 to 35 (8 to 1)	M8	8.8 to 10.8 (78.1 to 95.5)
	p1, n1	2.5 (14)	2.5 to 4 (14 to 12)	2.5 (14)	2.5 to 4 (14 to 12)	M4	1.2 to 2.0 (10.6 to 17.7)
4□0124	R/L1, S/L2, T/L3	25 × 2 (4 × 2P)	16 to 50 × 2 (6 to 1/0 × 2P)	16 × 2P (5 × 2P)	10 to 50 × 2P (8 to 1/0 × 2P)	M8	8 to 10 (70.8 to 88.5)
	U/T1, V/T2, W/T3	25 × 2 (4 × 2P)	16 to 50 × 2 (6 to 1/0 × 2P)	16 × 2P (5 × 2P)	10 to 50 × 2P (8 to 1/0 × 2P)	M8	
	⊕	25 (4)	25 to 35 (4 to 1)	16 (5)	16 to 35 (5 to 1)	M8	8.8 to 10.8 (78.1 to 95.5)
	p1, n1	2.5 (14)	2.5 to 4 (14 to 12)	2.5 (14)	2.5 to 4 (14 to 12)	M4	1.2 to 2.0 (10.6 to 17.7)

Drive Model	Terminal	For USA and Canada		For South America		Screw Size	Tightening Torque N·m (lb.in.)
		Recomm. Gauge mm <sup>2</sup> (AWG, kcmil)	Wire Range mm <sup>2</sup> (AWG, kcmil)	Recomm. Gauge mm <sup>2</sup> (AWG, kcmil)	Wire Range mm <sup>2</sup> (AWG, kcmil)		
4□0156	R/L1, S/L2, T/L3	25 × 2 (3 × 2P)	25 to 95 × 2 (4 to 4/0 × 2P)	25 × 2P (3 × 2P)	16 to 95 × 2P (5 to 4/0 × 2P)	M10	15 to 20 (133 to 177)
	U/T1, V/T2, W/T3	25 × 2 (3 × 2P)	25 to 95 × 2 (4 to 4/0 × 2P)	25 × 2P (3 × 2P)	16 to 95 × 2P (5 to 4/0 × 2P)	M10	
	⊕	25 (4)	25 to 70 (4 to 2/0)	25 (3)	25 to 70 (3 to 2/0)	M10	17.7 to 22.6 (156 to 200)
	p1, n1	2.5 (14)	2.5 to 4 (14 to 12)	2.5 (14)	2.5 to 4 (14 to 12)	M4	1.2 to 2.0 (10.6 to 17.7)
4□0180	R/L1, S/L2, T/L3	35 × 2 (2 × 2P)	25 to 95 × 2 (3 to 4/0 × 2P)	25 × 2P (3 × 2P)	25 to 95 × 2P (3 to 4/0 × 2P)	M10	15 to 20 (133 to 177)
	U/T1, V/T2, W/T3	35 × 2 (2 × 2P)	25 to 95 × 2 (3 to 4/0 × 2P)	25 × 2P (3 × 2P)	25 to 95 × 2P (3 to 4/0 × 2P)	M10	
	⊕	25 (3)	25 to 70 (4 to 2/0)	25 (3)	25 to 70 (3 to 2/0)	M10	17.7 to 22.6 (156 to 200)
	p1, n1	2.5 (14)	2.5 to 4 (14 to 12)	2.5 (14)	2.5 to 4 (14 to 12)	M4	1.2 to 2.0 (10.6 to 17.7)
4□0216	R/L1, S/L2, T/L3	50 × 2 (1/0 × 2P)	35 to 95 × 2 (2 to 4/0 × 2P)	35 × 2P (1 × 2P)	25 to 95 × 2P (3 to 4/0 × 2P)	M10	15 to 20 (133 to 177)
	U/T1, V/T2, W/T3	50 × 2 (1/0 × 2P)	35 to 95 × 2 (2 to 4/0 × 2P)	35 × 2P (1 × 2P)	25 to 95 × 2P (3 to 4/0 × 2P)	M10	
	⊕	25 (3)	25 to 95 (4 to 4/0)	35 (1)	25 to 95 (3 to 4/0)	M12	31.4 to 39.2 (278 to 347)
	p1, n1	2.5 (14)	2.5 to 4 (14 to 12)	2.5 (14)	2.5 to 4 (14 to 12)	M4	1.2 to 2.0 (10.6 to 17.7)
4□0240	R/L1, S/L2, T/L3	50 × 2 (1/0 × 2P)	50 to 95 × 2 (1/0 to 4/0 × 2P)	50 × 2P (1/0 × 2P)	35 to 95 × 2P (1 to 4/0 × 2P)	M10	15 to 20 (133 to 177)
	U/T1, V/T2, W/T3	50 × 2 (1/0 × 2P)	50 to 95 × 2 (1/0 to 4/0 × 2P)	50 × 2P (1/0 × 2P)	35 to 95 × 2P (1 to 4/0 × 2P)	M10	
	⊕	35 (2)	35 to 95 (2 to 4/0)	50 (1/0)	35 to 95 (1 to 4/0)	M12	31.4 to 39.2 (278 to 347)
	p1, n1	2.5 (14)	2.5 to 4 (14 to 12)	2.5 (14)	2.5 to 4 (14 to 12)	M4	1.2 to 2.0 (10.6 to 17.7)
4□0302 <I>	R/L1, S/L2, T/L3	70 × 2 (3/0 × 2P)	50 to 95 × 2 (1/0 to 4/0 × 2P)	70 × 2P (3/0 × 2P)	50 to 95 × 2P (1/0 to 4/0 × 2P)	M10	15 to 20 (133 to 177)
	U/T1, V/T2, W/T3	70 × 2 (3/0 × 2P)	50 to 95 × 2 (1/0 to 4/0 × 2P)	70 × 2P (3/0 × 2P)	50 to 95 × 2P (1/0 to 4/0 × 2P)	M10	
	⊕	35 (1)	35 to 150 (1 to 300)	70 (3/0)	35 to 150 (1 to 300)	M12	31.4 to 39.2 (278 to 347)
	p1, n1	2.5 (14)	2.5 to 4 (14 to 12)	2.5 (14)	2.5 to 4 (14 to 12)	M4	1.2 to 2.0 (10.6 to 17.7)
4□0361 <I>	R/L1, S/L2, T/L3	95 × 2 (4/0 × 2P)	70 to 95 × 2 (3/0 to 4/0 × 2P)	95 × 2P (4/0 × 2P)	70 to 95 × 2P (3/0 to 4/0 × 2P)	M10	15 to 20 (133 to 177)
	U/T1, V/T2, W/T3	95 × 2 (4/0 × 2P)	70 to 95 × 2 (3/0 to 4/0 × 2P)	95 × 2P (4/0 × 2P)	70 to 95 × 2P (3/0 to 4/0 × 2P)	M10	
	⊕	50 (1/0)	50 to 150 (1/0 to 300)	95 (4/0)	70 to 150 (3/0 to 300)	M12	31.4 to 39.2 (278 to 347)
	p1, n1	2.5 (14)	2.5 to 4 (14 to 12)	2.5 (14)	2.5 to 4 (14 to 12)	M4	1.2 to 2.0 (10.6 to 17.7)
4□0414 <I>	R/L1, S/L2, T/L3	150 × 2 (300 × 2P)	95 to 150 × 2 (4/0 to 300 × 2P)	95 × 2P (4/0 × 2P)	95 to 150 × 2P (4/0 to 300 × 2P)	M12	25 to 35 (221 to 310)
	U/T1, V/T2, W/T3	150 × 2 (300 × 2P)	95 to 150 × 2 (4/0 to 300 × 2P)	95 × 2P (4/0 × 2P)	95 to 150 × 2P (4/0 to 300 × 2P)	M12	
	⊕	50 (1/0)	50 to 240 (1/0 to 400)	95 (4/0)	70 to 240 (3/0 to 400)	M12	31.4 to 39.2 (278 to 347)
	p1, n1	2.5 (14)	2.5 to 4 (14 to 12)	2.5 (14)	2.5 to 4 (14 to 12)	M4	1.2 to 2.0 (10.6 to 17.7)

<I> Take additional measures in accordance with IEC/EN 61800-5-1 when wiring an EMC filter is installed. Refer to the Technical Manual for details.

## D.3 UL and CSA Standards

### Closed-Loop Crimp Terminal Recommendations

To maintain UL/cUL approval, UL Listed closed-loop crimp terminals are specifically required when wiring the drive main circuit terminals on models 2□0068 to 2□0248 and 4□0052 to 4□0414. Use only the tools recommended by the terminal manufacturer for crimping. Yaskawa recommends UL Listed crimp terminals made by JST and Tokyo DIP (or equivalent) for the insulation cap. **Table D.4** matches the wire gauges and terminal screw sizes with Yaskawa-recommended crimp terminals, tools, and insulation caps. Refer to the appropriate Wire Gauge and Torque Specifications table for the wire gauge and screw size for your drive model. Place orders with a Yaskawa representative or the Yaskawa sales department.

Wire gauge values shown in ***bold italic*** are the recommended values. Refer to local codes for proper selections.

**Table D.4 Closed-Loop Crimp Terminal Size**

Drive Model	Wire Gauge (AWG, kcmil)	Screw Size	Crimp Terminal Model Number	Tool		Insulation Cap Model No.	Code <1>		
	R/L1, S/L2, T/L3 U/T1, V/T2, W/T3			Machine No.	Die Jaw				
<b>200 V Class</b>									
2□0028	10	M5	R5.5-5	YA-4	AD-900	TP-005	100-054-030		
	<b>8</b>		R8-5		AD-901	TP-008	100-054-032		
2□0042	8	M6	R8-6	YA-4	AD-901	TP-008	100-065-184		
	<b>6</b>		R14-6		AD-902	TP-014	100-051-261		
	4		R22-6	YA-5	AD-953	TP-022	100-051-262		
	<b>3</b>		R22-6						
2□0054	6	M6	R14-6	YA-5	AD-952	TP-014	100-051-261		
	<b>4</b>		R22-6		AD-953	TP-022	100-051-262		
	<b>3</b>								
2□0068	<b>4</b>	M6	R22-6	YA-5	AD-953	TP-022	100-051-262		
	<b>3</b>								
2□0081	<b>6</b>	M6	R14-6	YA-5	AD-952	TP-014	100-051-261		
	4		R22-6		AD-953	TP-022	100-051-262		
	<b>3</b>								
2□0104	6	M8	R14-8	YA-4	AD-902	TP-014	100-054-035		
	4		R22-8	YA-5	AD-953	TP-022	100-051-263		
	<b>3</b>								
	2		R38-8	YA-5	AD-954	TP-038	100-051-264		
	<b>1</b>								
	1/0							R60-8	AD-955
2□0130	6	M8	R14-8	YA-5	AD-952	TP-014	100-054-035		
	<b>4</b>		R22-8		AD-953	TP-022	100-051-263		
	3								
	2		R38-8		AD-954	TP-038	100-051-264		
	1								
	1/0							R60-8	AD-955
2□0154	4	M10	R22-10	YA-5	AD-953	TP-022	100-061-113		
	<b>3</b>								
	2								
	1		R38-10	AD-954	TP-038	100-061-114			
	1/0								
	2/0		70-10	YF-1 YET-300-1	TD-322 TD-311	TP-080	100-064-251		
	3/0				80-10		TD-323 TD-312	100-051-267	
	4/0		R100-10	YF-1	TD-324	TP-100	100-051-269		



Drive Model	Wire Gauge (AWG, kcmil)	Screw Size	Crimp Terminal Model Number	Tool		Insulation Cap Model No.	Code <f>
	R/L1, S/L2, T/L3 U/T1, V/T2, W/T3			Machine No.	Die Jaw		
2□0192	3	M10	R22-10	YA-5	AD-953	TP-022	100-061-113
	2		R38-10		AD-954	TP-038	100-061-114
	<i>1</i>		R60-10		AD-955	TP-060	100-051-266
	1/0		YF-1 YET-300-1	70-10	TD-322 TD-311	TP-080	100-064-251
	2/0			80-10	TD-323 TD-312		100-051-267
	3/0			R100-10	TD-324 TD-312	TP-100	100-051-269
	4/0						
2□0248	1	M10	R38-10	YA-5	AD-954	TP-038	100-061-114
	1/0		R60-10	YF-1 YET-300-1	TD-321 TD-311	TP-060	100-051-266
	<i>2/0</i>		70-10		TD-322 TD-311	TP-080	100-064-251
	3/0		80-10		TD-323 TD-312		100-051-267
	4/0		R100-10		TD-324 TD-312	TP-100	100-051-269
<b>400 V Class</b>							
4□0011	<i>14</i>	M5	R2-5	YA-4	AD-900	TP-003	100-123-030
	12		R5.5-5			TP-005	100-054-030
	10		R8-5		AD-901	TP-008	100-054-032
	8						
4□0014	14	M5	R2-5	YA-4	AD-900	TP-003	100-123-030
	<i>12</i>		R5.5-5			TP-005	100-054-030
	10		R8-5		AD-901	TP-008	100-054-032
	8						
4□0021	12	M5	R5.5-5	YA-4	AD-900	TP-005	100-054-030
	<i>10</i>		R8-5			AD-901	TP-008
	8						
4□0027	10	M5	R5.5-5	YA-4	AD-900	TP-005	100-054-030
	<i>8</i>		R8-5			AD-901	TP-008
4□0034	<i>8</i>	M5	R8-5	YA-4	AD-901	TP-008	100-054-032
4□0040	<i>8</i>	M6	R8-6	YA-4	AD-901	TP-008	100-065-184
	6		R14-6		AD-902	TP-014	100-051-261
	4		R22-6	YA-5	AD-953	TP-022	100-051-262
	3						
4□0052	8	M6	R8-6	YA-4	AD-901	TP-008	100-065-184
	<i>6</i>		R14-6		AD-902	TP-014	100-051-261
	4		R22-6	YA-5	AD-953	TP-022	100-051-262
	3						
4□0065	6	M6	R14-6	YA-5	AD-952	TP-014	100-051-261
	<i>4</i>		R22-6		AD-953	TP-022	100-051-262
	3						
4□0077	4	M6	R22-6	YA-5	AD-953	TP-022	100-051-262
	<i>3</i>						

### D.3 UL and CSA Standards

Drive Model	Wire Gauge (AWG, kcmil)	Screw Size	Crimp Terminal Model Number	Tool		Insulation Cap Model No.	Code <?>
	R/L1, S/L2, T/L3 U/T1, V/T2, W/T3			Machine No.	Die Jaw		
4□0096	8	M8	R8-8	YA-4	AD-901	TP-008	100-601-111
	6		R14-8		AD-902	TP-014	100-054-035
	4		R22-8	YA-5	AD-953	TP-022	100-051-263
	3				AD-954	TP-038	100-051-264
	2				AD-955	TP-060	100-051-265
	<i>1</i>						
	1/0						
4□0124	6	M8	R14-8	YA-5	AD-952	TP-014	100-054-035
	4		R22-8		AD-953	TP-022	100-051-263
	3		R38-8		AD-954	TP-038	100-051-264
	2				AD-955	TP-060	100-051-265
	1						
	1/0						
4□0156	4	M10	R22-10	YA-5	AD-953	TP-022	100-061-113
	3		R38-10		AD-954	TP-038	100-061-114
	2		R60-10		AD-955	TP-060	100-051-266
	1						
	1/0		70-10	YF-1 YET-300-1	TD-322 TD-311	TP-080	100-064-251
	2/0		80-10		TD-323 TD-312		100-051-267
	3/0		R100-10		TD-324 TD-312	TP-100	100-051-269
	4/0						
4□0180	3	M10	R22-10	YA-5	AD-953	TP-022	100-061-113
	2		R38-10		AD-954	TP-038	100-061-114
	1		R60-10		AD-955	TP-060	100-051-266
	1/0				70-10	TD-322 TD-311	TP-080
	2/0			80-10	TD-323 TD-312	100-051-267	
	3/0		R100-10	TD-324 TD-312	TP-100	100-051-269	
	4/0						
4□0216	2	M10	R38-10	YA-5	AD-954	TP-038	100-061-114
	1		R60-10	YF-1 YET-300-1	TD-321 TD-311	TP-060	100-051-266
	<i>1/0</i>				70-10	TD-322 TD-311	TP-080
	2/0		80-10		TD-323 TD-312	100-051-267	
	3/0		R100-10		TD-324 TD-312	TP-100	100-051-269
	4/0						
4□0240	<i>1/0</i>	M10	R60-10		YF-1 YET-300-1	TD-321 TD-311	TP-060
	2/0		70-10	TD-322 TD-311		TP-080	100-064-251
	3/0		80-10	TD-323 TD-312			100-051-267
	4/0		R100-10	TD-324 TD-312		TP-100	100-051-269

Drive Model	Wire Gauge (AWG, kcmil)	Screw Size	Crimp Terminal Model Number	Tool		Insulation Cap Model No.	Code <1>
	R/L1, S/L2, T/L3 U/T1, V/T2, W/T3			Machine No.	Die Jaw		
4□0302	1/0	M10	R60-10	YF-1 YET-300-1	TD-321 TD-311	TP-060	100-051-266
	2/0		70-10		TD-322 TD-311		TP-080
	3/0		80-10		TD-323 TD-312	100-051-267	
	4/0		R100-10		TD-324 TD-312	TP-100	100-051-269
4□0361	3/0	M10	80-10	YF-1 YET-300-1	TD-323 TD-312	TP-080	100-051-267
	4/0		R100-10		TD-324 TD-312	TP-100	100-051-269
4□0414	4/0	M12	R100-12	YF-1 YET-300-1	TD-324 TD-312	TP-100	100-051-270
	250		R150-12		TD-325 TD-313	TP-150	100-051-273
	300						

<1> Codes refer to a set of three crimp terminals and three insulation caps. Prepare input and output wiring using two sets for each connection.

**Note:** Use crimp insulated terminals or insulated shrink tubing for wiring connections. Wires should have a continuous maximum allowable temperature of 75 °C 600 Vac UL-approved vinyl-sheathed insulation.

**Low Voltage Wiring for Control Circuit Terminals**

Wire low voltage wires with NEC Class 1 circuit conductors. Refer to national state or local codes for wiring. The external power supply shall be a UL Listed Class 2 power supply source or equivalent only.

Table D.5 Control Circuit Terminal Power Supply

Input / Output	Terminal Signal	Power Supply Specifications
Open Collector Outputs	DM+, DM-	Requires class 2 power supply
Digital inputs	S1 to S8, SN, SC, SP, HC, H1, H2	Use the internal LVLC power supply of the drive. Use class 2 for external power supply.
Analog inputs / outputs	+V, -V, A1, A2, A3, AC, AM, FM	Use the internal LVLC power supply of the drive. Use class 2 for external power supply.

**Drive Short Circuit Rating**

The drive is suitable for use on a circuit capable of delivering not more than 100,000 RMS symmetrical Amperes, 240 Vac maximum (200 V Class) and 480 Vac maximum (400 V class: 4E□□□□ and 4W□□□□), and 500 Vac maximum (400 V class: 4A□□□□ and 4P□□□□) with built-in fuses manufactured by Hinode Electric Co., Ltd. and Mersen (or equivalent).

**Drive Motor Overload Protection**

Set parameter E2-01 (motor rated current) to the appropriate value to enable motor overload protection. The internal motor overload protection is UL Listed and in accordance with the NEC and CEC.

**E2-01: Motor Rated Current**

Setting Range: 10% to 180% of the drive rated current

Default Setting: Model-dependent

Parameter E2-01 protects the motor when parameter L1-01 is not set to 0. The default for L1-01 is 1, which enables protection for standard induction motors.

If Auto-Tuning has been performed successfully, the motor data entered to T1-04 and T2-06 are automatically written to parameter E2-01. If Auto-Tuning has not been performed, manually enter the correct motor rated current to parameter E2-01.

**L1-01: Motor Overload Protection Selection**

The drive has an electronic overload protection function (oL1) based on time, output current, and output frequency that protects the motor from overheating. The electronic thermal overload function is UL-recognized, so it does not require an external thermal relay for single motor operation.

This parameter selects the motor overload curve used according to the type of motor applied.

Table D.6 Overload Protection Settings

Setting	Description	
0	Disabled	Disabled the internal motor overload protection of the drive.
1	Standard fan-cooled motor (default)	Selects protection characteristics for a standard self-cooled motor with limited cooling capabilities when running below the rated speed. The motor overload detection level (oL1) is automatically reduced when running below the motor rated speed.
2	Drive duty motor with a speed range of 1:10	Selects protection characteristics for a motor with self-cooling capability within a speed range of 10:1. The motor overload detection level (oL1) is automatically reduced when running below 1/10 of the motor rated speed.
3	Vector motor with a speed range of 1:100	Selects protection characteristics for a motor capable of cooling itself at any speed including zero speed (externally cooled motor). The motor overload detection level (oL1) is constant over the entire speed range.
4	Permanent Magnet motor with variable torque	Selects protection characteristics for a variable torque PM motor. The motor overload detection level (oL1) is automatically reduced when running below the motor rated speed.
5	Permanent Magnet motor with constant torque	Selects protection characteristics for a constant torque PM motor. The motor overload detection level (oL1) is constant over the whole speed range.
6	Standard fan-cooled motor (50 Hz)	Selects protection characteristics for a standard self-cooled motor with limited cooling capabilities when running below the rated speed. The motor overload detection level (oL1) is automatically reduced when running below the motor rated speed.

When connecting the drive to more than one motor for simultaneous operation, disable the electronic overload protection (L1-01 = 0) and wire each motor with its own motor thermal overload relay.

Enable motor overload protection (L1-01 = 1 to 6) when connecting the drive to a single motor, unless another motor overload preventing device is installed. The drive electronic thermal overload function causes an oL1 fault, which shuts off the output of the drive and prevents additional overheating of the motor. The motor temperature is continually calculated while the drive is powered up.

**■ L1-02: Motor Overload Protection Time**

Setting Range: 0.1 to 5.0 min

Factory Default: 1.0 min

Parameter L1-02 determines how long the motor is allowed to operate before the oL1 fault occurs when the drive is running a hot motor at 60 Hz and at 150% of the full load amp rating (E2-01) of the motor. Adjusting the value of L1-02 can shift the set of oL1 curves up the y axis of the diagram below, but will not change the shape of the curves.

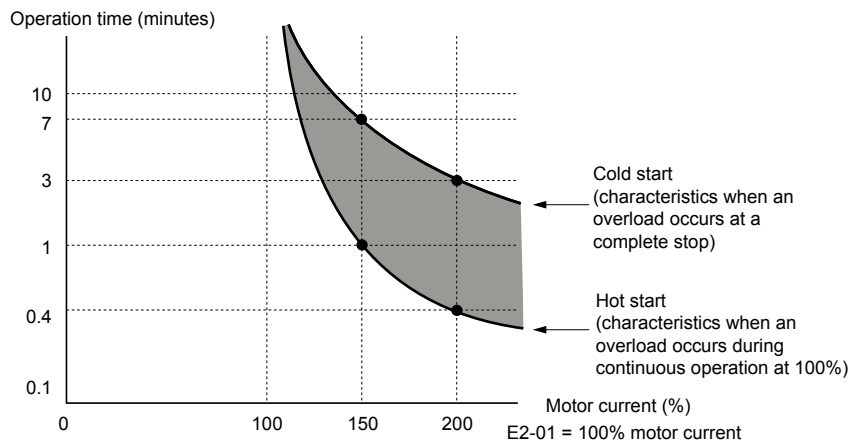


Figure D.6 Motor Overload Protection Time

**■ L1-03: Motor Overheat Alarm Operation Selection (PTC input)**

Sets the drive operation when the PTC input signal reaches the motor overheat alarm level (oH3).

No.	Name	Setting Range	Default
L1-03	Motor Overheat Alarm Operation Selection (PTC input)	0 to 3	3

**Setting 0: Ramp to Stop**

The drive stops the motor using the deceleration time 1 set in parameter C1-02.

**Setting 1: Coast to Stop**

The drive output is switched off and the motor coasts to stop.

**Setting 2: Fast Stop**

The drive stops the motor using the Fast Stop time set in parameter C1-09.

**Setting 3: Alarm Only**

The operation is continued and an oH3 alarm is displayed on the digital operator.

**■ L1-04: Motor Overheat Fault Operation Selection (PTC input)**

Sets the drive operation when the PTC input signal reaches the motor overheat fault level (oH4).

No.	Name	Setting Range	Default
L1-04	Motor Overheat Fault Operation Selection (PTC input)	0 to 2	1

**Setting 0: Ramp to Stop**

The drive stops the motor using the deceleration time 1 set in parameter C1-02.

**Setting 1: Coast to Stop**

The drive output is switched off and the motor coasts to stop.

**Setting 2: Fast Stop**

The drive stops the motor using the Fast Stop time set in parameter C1-09.

## D.4 Safe Disable Input

### ◆ Safe Disable Input Function

This section explains the Safe Disable function. Contact Yaskawa if more information is required.

#### ■ Safety Standards

The TUV mark indicates compliance with safety standards.



Figure D.7 TUV Mark

Table D.7 Safety Standards and Applicable Harmonized Standards

Safety Standards	Applicable Harmonized Standards
Functional Safety	IEC/EN 61508 series: 2010 (SIL3)
	IEC/EN 62061: 2005 (SILCL3)
	IEC/EN 61800-5-2: 2007 (SIL3)
Safety of Machinery	ISO/EN ISO 13849-1/AC: 2009 (PL e (Cat.3))
EMC	IEC/EN 61326-3-1: 2008 (EMC-related)

The Safe Disable function is in compliance with these standards.

#### ■ Specifications

The Safe Disable inputs provide a stop function in compliance with “Safe Torque Off” as defined in the IEC/EN 61800-5-2. Safe Disable inputs have been designed to meet the requirements of the ISO/EN 13849-1 and IEC/EN 61508.

A Safe Disable Status Monitor for error detection in the safety circuit is also provided.

Table D.8 Specifications for Safe Disable Function

Inputs/Outputs	<ul style="list-style-type: none"> <li>Input signal specifications Signal ON level: 18 to 28 Vdc Signal OFF level: -4 to 4 Vdc</li> <li>Inputs: 2 Safe Disable inputs H1, H2</li> <li>Outputs: 1 Safe Disable Monitor output EDM (DM+, DM-)</li> </ul>	
Response Time from Input Open to Drive Output Stop	Shorter than 3 ms	
Response Time from Input Open of H1 and H2 Terminals to EDM	Shorter than 4 ms	
Failure Probability	Demand Rate Low	PF <sub>D</sub> = 8.14E <sup>-6</sup>
	Demand Rate High/Continuous	PF <sub>H</sub> = 1.96E <sup>-9</sup>
Performance Level	The Safe Disable inputs satisfy the following requirements (DC from EDM considered) Performance Level (PL) e according to ISO/EN 13849-1	
HFT (Hardware Fault Tolerance)	N = 1	
Classification of Subsystem	Type B	

### ◆ Precautions

**DANGER!** *Sudden Movement Hazard. Improper use of the Safe Disable function can result in serious injury or even death. Make sure the whole system or machinery in which the Safe Disable function is used complies with safety requirements. When implementing the Safe Disable function into the safety system of a machine, perform a thorough risk assessment for the entire system to assure compliance with relevant safety norms.*

**DANGER!** Sudden Movement Hazard. When using a PM motor, even if the drive output is shut off by the Safe Disable function, a breakdown of two output transistors can cause current to flow through the motor winding, resulting in a rotor movement for a maximum angle of 180 degrees (electrically). Make sure such a situation would have no effect on the safety of the application when using the Safe Disable function.

**DANGER!** Electrical Shock Hazard. The Safe Disable function can switch off the drive output, but does not cut the drive power supply and cannot electrically isolate the drive output from the input. Always shut off the drive power supply when performing maintenance or installations on the drive input side as well as the drive output side.

**DANGER!** Sudden Movement Hazard. The motor will move when an external gravitational force in the vertical axis is applied even if the Safe Disable function is in operation. Failure to comply may result in serious injury or death.

**DANGER!** Sudden Movement Hazard. Connect the Safe Disable inputs to the devices in compliance with safety requirements. Failure to comply will result in death or serious injury.

**WARNING!** Sudden Movement Hazard. When using the Safe Disable inputs, make sure to remove the wire links between terminals H1, H2, and HC that were installed prior to shipment. Failing to do so will keep the Safe Disable circuit from operating properly and can cause injury or even death.

**NOTICE:** All safety features (including Safe Disable) should be inspected daily and periodically. If the system is not operating normally, there is a risk of serious personal injury.

**NOTICE:** Only a qualified technician with a thorough understanding of the drive, the instruction manual, and safety standards should be permitted to wire, inspect, and maintain the Safe Disable input.

**NOTICE:** From the moment terminal inputs H1 and H2 have opened, it takes up to 2 ms for drive output to shut off completely. The sequence set up to trigger terminals H1 and H2 should make sure that both terminals remain open for at least 2 ms in order to properly interrupt drive output.

**NOTICE:** The Safe Disable Monitor (output terminals DM+ and DM-) should not be used for any other purpose than to monitor the Safe Disable status or to discover a malfunction in the Safe Disable inputs. The monitor output is not considered a safe output.

**NOTICE:** When utilizing the Safe Disable function, an EMC filter must be used.

## ◆ Using the Safe Disable Function

The Safe Disable inputs provide a stop function in compliance with “Safe Torque Off” as defined in the IEC/EN 61800-5-2. Safe Disable inputs have been designed to meet the requirements of the ISO/EN 13849-1, Category 3 PLe, and IEC/EN 61508, SIL3.

A Safe Disable Status Monitor for error detection in the safety circuit is also provided.

### ■ Safe Disable Circuit

The Safe Disable circuit consists of two independent input channels that can block the output transistors (terminals H1 and H2). The input can use either the drive internal power supply or an external power supply. Use jumper S3 on the terminal board to select between Sink or Source mode with either internal or external power supply.

A photocoupler output is available to monitor the status of Safe Disable terminals DM+ and DM-. [Refer to Output Terminals on page 89](#) for signal specifications when using this output.

Additionally, a Safe Disable monitor function can be assigned to a digital output (H2-□□ = 58).

## D.4 Safe Disable Input

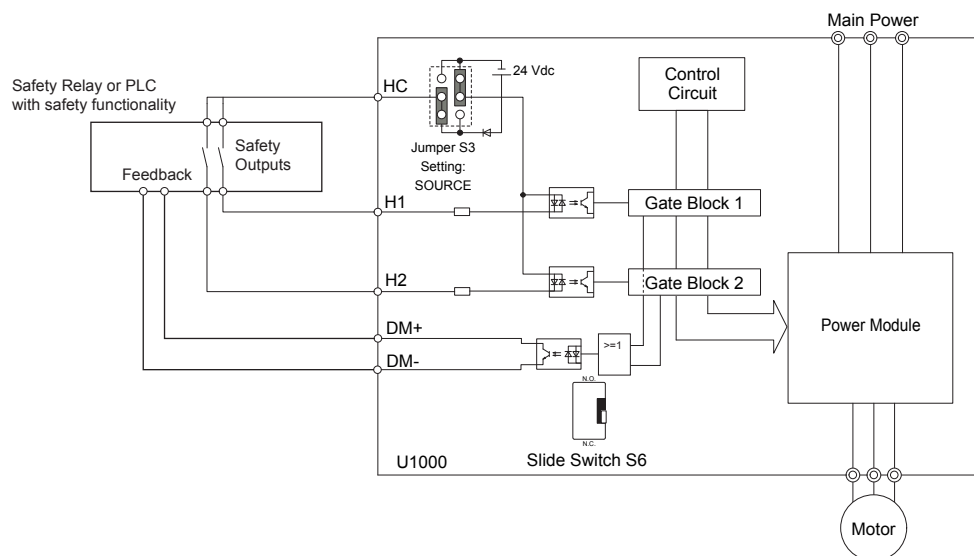


Figure D.8 Safe Disable Function Wiring Example (Source Mode)

### Disabling and Enabling the Drive Output (“Safe Torque Off”)

Figure D.9 illustrates the Safe Disable input operation.

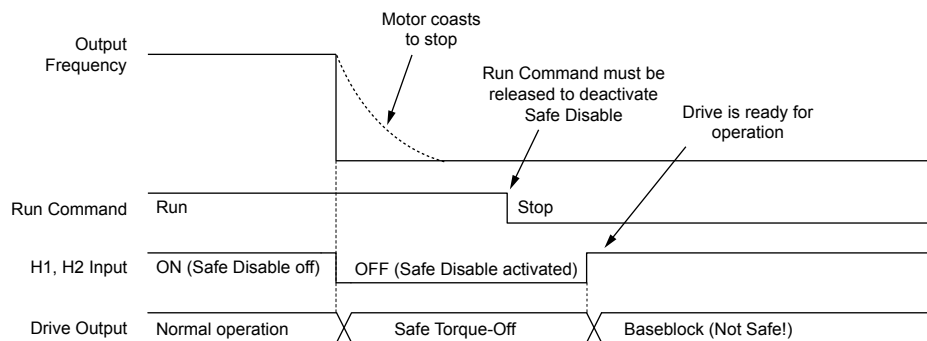


Figure D.9 Safe Disable Operation

#### Entering the “Safe Torque Off” State

When one or both Safe Disable inputs are open, the motor torque is shut off by switching off the drive output. If the motor was running before the Safe Disable inputs opened, then the motor will coast to stop regardless of the stopping method set in parameter b1-03.

The “Safe Torque Off” state can only be achieved using the Safe Disable function. Removing the Run command stops the drive and shuts the output off (baseblock), but does not create a “Safe Torque Off” status.

**Note:** To avoid an uncontrolled stop during normal operation, make sure that the Safe Disable inputs are opened first when the motor has completely stopped.

#### Returning to Normal Operation after Safe Disable

The Safe Disable function can only be deactivated when a Run command is not active.

If Safe Disable was activated during stop, turn on both Safe Disable inputs by deactivating “Safe Torque Off” to resume normal operation.

If Safe Disable was activated during run, remove the Run command then turn on the Safe Disable inputs before restarting the drive.

### Safe Disable Monitor Output Function and Digital Operator Display

Table D.9 explains the drive output and Safe Disable monitor state depending on the Safe Disable inputs.



Table D.9 Safety Input and EDM Terminal Status

Safe Disable Input Status		Safe Disable Status Monitor, (DM+, DM-)		Drive Output Status	Digital Operator Display
Input 1, H1-HC	Input 2, H2-HC	S6 Switch = "N.O."	S6 Switch = "N.C."		
OFF	OFF	OFF	ON	Safely disabled, "Safe Torque Off"	Hbb (flashes)
ON	OFF	ON	OFF	Safely disabled, "Safe Torque Off"	HbbF (flashes)
OFF	ON	ON	OFF	Safely disabled, "Safe Torque Off"	HbbF (flashes)
ON	ON	ON	OFF	Baseblock, ready for operation	Normal display

### Safe Disable Status Monitor

Slide Switch S6 controls the polarity of this signal. Refer to [Table D.9](#) for functionality.

With the Safe Disable monitor output (terminals DM+ and DM-), the drive provides a safety status feedback signal. This signal should be read by the device that controls the Safe Disable inputs (PLC or a safety relay) in order to prohibit leaving the "Safe Torque Off" status in case the safety circuit malfunctions. Refer to the instruction manual of the safety device for details on this function.

### Digital Operator Display

When both Safe Disable inputs are open, "Hbb" will flash in the digital operator display.

If one Safe Disable channel is on while the other is off, "HbbF" will flash in the display to indicate that there is a problem in the safety circuit or in the drive. This display should not appear under normal conditions if the Safe Disable circuit is utilized properly.

[Refer to Alarm Codes, Causes, and Possible Solutions on page 351](#) for details.

If a fault in the safety circuit of the drive is detected, "SCF" will be displayed in the LCD operator. This indicates damage to the drive.

[Refer to Fault Displays, Causes, and Possible Solutions on page 335](#) for details.

### ■ Validating Safe Disable Function

Always perform the following validation test on the safe disable inputs after completing the wiring after start-up, when replacing parts, or when conducting maintenance. Maintain check results as a record of tests performed.

- When the H1 and H2 signals turn OFF, confirm that "Hbb" is displayed on the LCD operator, and that the motor is not in operation.
- Monitor the ON/OFF status of the H1 and H2 signals and confirm the EDM signal according to [Table D.9](#).

If the ON/OFF status of the signals do not match the display, it is possible that there is an error in the external device, the external wiring is disconnected, there is a short circuit in the external wiring, or a failure in the drive. Find the cause and correct the problem.

- In normal operation, confirm the EDM signal according to [Table D.9](#).

**This Page Intentionally Blank**

# Appendix: E

## Quick Reference Sheet

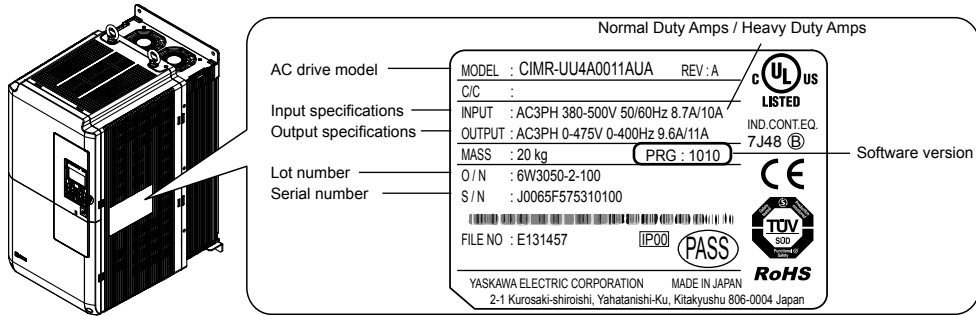
---

This section provides tables to keep record of the drive specifications, motor specifications, and drive settings. Fill in the table data after commissioning the application and have them ready when contacting Yaskawa for technical assistance.

<b>E.1</b>	<b>DRIVE AND MOTOR SPECIFICATIONS.....</b>	<b>616</b>
<b>E.2</b>	<b>BASIC PARAMETER SETTINGS.....</b>	<b>618</b>
<b>E.3</b>	<b>USER SETTING TABLE.....</b>	<b>620</b>

# E.1 Drive and Motor Specifications

## ◆ Drive Specifications



Normal Duty Amps / Heavy Duty Amps

AC drive model ——— MODEL : CIMR-UU4A0011AUJ REV : A

Input specifications ——— C/C : ———

Output specifications ——— INPUT : AC3PH 380-500V 50/60Hz 8.7A/10A  
 OUTPUT : AC3PH 0-475V 0-400Hz 9.6A/11A

Lot number ——— MASS : 20 kg PRG : 1010 ——— Software version

Serial number ——— O / N : 6W3050-2-100  
 S / N : J0065F575310100

FILE NO : E131457

YASKAWA ELECTRIC CORPORATION MADE IN JAPAN  
 2-1 Kurosaki-shiroishi, Yahatanishi-Ku, Kitakyushu 806-0004 Japan

UL LISTED  
 IND. CONTEQ.  
 7J48 B  
 CE  
 TÜV SÜD  
 RoHS

Items	Description
Model	CIMR-UU
Serial Number	
Software Version (PRG)	
Options Used	
Date of Usage	

## ◆ Motor Specifications

### ■ Induction Motor

Items	Description	Items	Description
Manufacturer		Motor Rated Current (T1-04)	A
Model		Motor Base Frequency (T1-05)	Hz
Motor Rated Power (T1-02)	HP	Number of Motor Poles (T1-06)	
Motor Rated Voltage (T1-03)	V	Motor Base Speed (T1-07)	r/min

Note: These values must be entered as part of the Auto-Tuning process.

### ■ Permanent Magnet Motor

Items	Description	Items	Description
Manufacturer		Induction Voltage Constant	mVs/rad
Model		Induction Voltage Constant	mV/(r/min)
PM Motor Rated Power (T2-04)	kW	PM Motor Rated Current (T2-06)	A
PM Motor Rated Voltage (T2-05)	V	PM Motor Base Frequency (T2-07)	Hz
q-Axis Inductance	mH	Number of PM Motor Poles (T2-08)	

<b>x-Axis Inductance</b>		mH	<b>PM Motor Base Speed (T2-09)</b>		r/min
--------------------------	--	----	------------------------------------	--	-------

**Note:** These values must be entered as part of the Auto-Tuning process.

**■ Motor Speed Encoder (if used)**

Items	Description	Items	Description
<b>Manufacturer</b>		<b>Resolution</b>	
<b>Interface</b>			

## E.2 Basic Parameter Settings

Use the following tables to keep records of important parameters. Have this data available when contacting Yaskawa technical support.

### ◆ Basic Setup

Item	Setting Value	Memo
Control Mode	A1-02 =	
Normal/Heavy Duty Selection	C6-01 =	
Frequency Reference Source	b1-01 =	
Run Command Source	b1-02 =	

### ◆ V/f Pattern Setup

Item	Setting Value	Memo
V/f Pattern Selection	E1-03 =	
Max. Output Frequency	E1-04 =	
Max. Voltage	E1-05 =	
Base Frequency	E1-06 =	
Mid. Output Frequency	E1-07 =	
Mid. Output Frequency Volt.	E1-08 =	
Min. Output Frequency	E1-09 =	
Min. Output Frequency Volt.	E1-10 =	

### ◆ Motor Setup

Motor Type	Item	Setting Value	Memo
Induction	Motor Rated Current	E2-01 =	
	Motor Rated Slip	E2-02 =	
	Motor No-Load Current	E2-03 =	
	No. of Motor Poles	E2-04 =	
	Line-to-Line Resistance	E2-05 =	
	Motor Leakage Inductance	E2-06 =	
Permanent Magnet	Motor Code Selection	E5-01 =	
	Motor Rated Power	E5-02 =	
	Motor Rated Current	E5-03 =	
	No. of Motor Poles	E5-04 =	
	Motor Stator Resistance	E5-05 =	
	Motor d-Axis Inductance	E5-06 =	
	Motor q-Axis Inductance	E5-07 =	
	Induction Volt. Const. 1	E5-09 =	
	Encoder Z-pulse Offset	E5-11 =	
Induction Volt. Const. 2	E5-24 =		

### ◆ Multi-Function Digital Inputs

Terminal	Input Used	Setting Value and Function Name	Memo
S1		H1-01 =	
S2		H1-02 =	
S3		H1-03 =	
S4		H1-04 =	
S5		H1-05 =	
S6		H1-06 =	
S7		H1-07 =	
S8		H1-08 =	

### ◆ Pulse Train Input/Analog Inputs

Terminal	Input Used	Setting Value and Function Name	Memo
RP		H6-01 =	
A1		H3-02 =	
A2		H3-10 =	
A3		H3-06 =	

### ◆ Multi-Function Digital Outputs


Terminal	Output Used	Setting Value and Function Name	Memo
M1-M2		H2-01 =	
M3-M4		H2-02 =	
M5-M6		H2-03 =	

### ◆ Monitor Outputs

Terminal	Output Used	Setting Value and Function Name	Memo
FM		H4-01 =	
AM		H4-04 =	
MP		H6-06 =	

## E.3 User Setting Table

Use the Verify Menu to determine which parameters have been changed from their original default settings

 below the parameter number indicates that the parameter setting can be changed during run.

Parameter names in **bold face type** are included in the Setup Group of parameters, which can be set by A1-06 = 0.

No.	Name	User Setting	No.	Name	User Setting
A1-00 	Language Selection		b3-06	Output Current 1 during Speed Search	
A1-01 	Access Level Selection		b3-08	Current Control Gain during Speed Search (Speed Estimation Type)	
A1-02	<b>Control Method Selection</b>		b3-10	Speed Search Detection Compensation Gain	
A1-03	Initialize Parameters		b3-14	Bi-Directional Speed Search Selection	
A1-04	Password		b3-17	Speed Search Restart Current Level	
A1-05	Password Setting		b3-18	Speed Search Restart Detection Time	
A1-06	Application Preset		b3-19	Number of Speed Search Restarts	
A1-07	DriveWorksEZ Function Selection		b3-24	Speed Search Method Selection	
A2-01 to A2-32	User Parameters, 1 to 32		b3-25	Speed Search Wait Time	
A2-33	User Parameter Automatic Selection		b3-27	Start Speed Search Select	
b1-01	<b>Frequency Reference Selection 1</b>		b3-29	Speed Search Induced Voltage Level	
b1-02	<b>Run Command Selection 1</b>		b3-31	Speed Search Operation Current Level 1 (Current Detection Type 2)	
b1-03	<b>Stopping Method Selection</b>		b3-32	Speed Search Operation Current Level 2 (Current Detection 2)	
b1-04	Reverse Operation Selection		b3-33	Speed Search Selection when Run Command is Given during Uv	
b1-05	Action Selection below Minimum Output Frequency		b3-50	Backspin Search Direction Judgment Time 1	
b1-06	Digital Input Reading		b3-51	Backspin Search Direction Judgment Time 2	
b1-07	LOCAL/REMOTE Run Selection		b3-52	Backspin Search Deceleration Time 1	
b1-08	Run Command Selection while in Programming Mode		b3-53	Backspin Search Deceleration Time 2	
b1-14	Phase Order Selection		b4-01	Timer Function On-Delay Time	
b1-15	Frequency Reference Selection 2		b4-02	Timer Function Off-Delay Time	
b1-16	Run Command Selection 2		b4-03	H2-01 ON Delay Time	
b1-17	Run Command at Power Up		b4-04	H2-01 OFF Delay Time	
b1-21	Start Condition Selection at Closed Loop Vector Control		b4-05	H2-02 ON Delay Time	
b1-24	Commercial Power Switching Selection		b4-06	H2-03 OFF Delay Time	
b1-25	Commercial Power Switching Output Frequency Non-coincidence Level		b4-07	H2-03 ON Delay Time	
b1-26	Commercial Power Switching Output Frequency Coincidence Level		b4-08	H2-03 OFF Delay Time	
b2-01	DC Injection Braking Start Frequency		b5-01	PID Function Setting	
b2-02	DC Injection Braking Current		b5-02 	Proportional Gain Setting (P)	
b2-03	DC Injection Braking Time at Start		b5-03 	Integral Time Setting (I)	
b2-04	DC Injection Braking Time at Stop		b5-04 	Integral Limit Setting	
b2-08	Magnetic Flux Compensation Value		b5-05 	Derivative Time (D)	
b3-01	Speed Search Selection at Start		b5-06 	PID Output Limit	
b3-03	Speed Search Deceleration Time				
b3-04	V/f Gain during Speed Search				
b3-05	Speed Search Delay Time				



No.	Name	User Setting	No.	Name	User Setting
b5-07 	PID Offset Adjustment		b8-17	Energy Saving Parameter (Kt) for PM Motors	
b5-08 	PID Primary Delay Time Constant		b9-01	Zero Servo Gain	
b5-09	PID Output Level Selection		b9-02	Zero Servo Completion Width	
b5-10 	PID Output Gain Setting		C1-01 	<b>Acceleration Time 1</b>	
b5-11	PID Output Reverse Selection		C1-02 	<b>Deceleration Time 1</b>	
b5-12	PID Feedback Loss Detection Selection		C1-03 	Acceleration Time 2	
b5-13	PID Feedback Loss Detection Level		C1-04 	Deceleration Time 2	
b5-14	PID Feedback Loss Detection Time		C1-05 	Acceleration Time 3 (Motor 2 Accel Time 1)	
b5-15	PID Sleep Function Start Level		C1-06 	Deceleration Time 3 (Motor 2 Decel Time 1)	
b5-16	PID Sleep Delay Time		C1-07 	Acceleration Time 4 (Motor 2 Accel Time 2)	
b5-17	PID Accel/Decel Time		C1-08 	Deceleration Time 4 (Motor 2 Decel Time 2)	
b5-18	PID Setpoint Selection		C1-09 	Fast-Stop Time	
b5-19 	PID Setpoint Value		C1-10	Accel/Decel Time Setting Units	
b5-20	PID Setpoint Scaling		C1-11	Accel/Decel Time Switching Frequency	
b5-34 	PID Output Lower Limit		C2-01	S-Curve Characteristic at Accel Start	
b5-35 	PID Input Limit		C2-02	S-Curve Characteristic at Accel End	
b5-36	PID Feedback High Detection Level		C2-03	S-Curve Characteristic at Decel Start	
b5-37	PID Feedback High Detection Time		C2-04	S-Curve Characteristic at Decel End	
b5-38	PID Setpoint User Display		C3-01 	Slip Compensation Gain	
b5-39	PID Setpoint Display Digits		C3-02 	Slip Compensation Primary Delay Time	
b5-40	Frequency Reference Monitor Content during PID		C3-03	Slip Compensation Limit	
b5-47	PID Output Reverse Selection 2		C3-04	Slip Compensation Selection during Regeneration	
b6-01	Dwell Reference at Start		C3-05	Output Voltage Limit Operation Selection	
b6-02	Dwell Time at Start		C3-21 	Motor 2 Slip Compensation Gain	
b6-03	Dwell Reference at Stop		C3-22 	Motor 2 Slip Compensation Primary Delay Time	
b6-04	Dwell Time at Stop		C3-23	Motor 2 Slip Compensation Limit	
b7-01 	Droop Control Gain		C3-24	Motor 2 Slip Compensation Selection during Regeneration	
b7-02 	Droop Control Delay Time		C4-01 	Torque Compensation Gain	
b7-03	Droop Control Limit Selection		C4-02 	Torque Compensation Primary Delay Time	
b8-01	Energy Saving Control Selection		C4-03	Torque Compensation at Forward Start	
b8-02 	Energy Saving Gain		C4-04	Torque Compensation at Reverse Start	
b8-03 	Energy Saving Control Filter Time Constant				
b8-04	Energy Saving Coefficient Value				
b8-05	Power Detection Filter Time				
b8-06	Search Operation Voltage Limit				
b8-16	Energy Saving Parameter (Ki) for PM Motors				

## E.3 User Setting Table

No.	Name	User Setting	No.	Name	User Setting
C4-05	Torque Compensation Time Constant		d1-03	<b>Frequency Reference 3</b>	
C4-07	Motor 2 Torque Compensation Gain		 d1-04		<b>Frequency Reference 4</b>
C5-01	ASR Proportional Gain 1		d1-05	Frequency Reference 5	
C5-02	ASR Integral Time 1		d1-06	Frequency Reference 6	
C5-03	ASR Proportional Gain 2		d1-07	Frequency Reference 7	
C5-04	ASR Integral Time 2		d1-08	Frequency Reference 8	
C5-05	ASR Limit		d1-09	Frequency Reference 9	
C5-06	ASR Primary Delay Time Constant		d1-10	Frequency Reference 10	
C5-07	ASR Gain Switching Frequency		d1-11	Frequency Reference 11	
C5-08	ASR Integral Limit		d1-12	Frequency Reference 12	
C5-12	Integral Operation during Accel/Decel		d1-13	Frequency Reference 13	
C5-17	Motor Inertia		d1-14	Frequency Reference 14	
C5-18	Load Inertia Ratio		d1-15	Frequency Reference 15	
C5-21	Motor 2 ASR Proportional Gain 1		d1-16	Frequency Reference 16	
C5-22	Motor 2 ASR Integral Time 1		d1-17	<b>Jog Frequency Reference</b>	
C5-23	Motor 2 ASR Proportional Gain 2		d2-01	Frequency Reference Upper Limit	
C5-24	Motor 2 ASR Integral Time 2		d2-02	Frequency Reference Lower Limit	
C5-25	Motor 2 ASR Limit		d2-03	Master Speed Reference Lower Limit	
C5-26	Motor 2 ASR Primary Delay Time Constant		d3-01	Jump Frequency 1	
C5-27	Motor 2 ASR Gain Switching Frequency		d3-02	Jump Frequency 2	
C5-28	Motor 2 ASR Integral Limit		d3-03	Jump Frequency 3	
C5-32	Integral Operation during Accel/Decel for Motor 2		d3-04	Jump Frequency Width	
C5-37	Motor 2 Inertia		d4-01	Frequency Reference Hold Function Selection	
C5-38	Motor 2 Load Inertia Ratio		d4-03	Frequency Reference Bias Step (Up/Down 2)	
C6-01	<b>Drive Duty Selection</b>		d4-04	Frequency Reference Bias Accel/Decel (Up/Down 2)	
C6-02	<b>Carrier Frequency Selection</b>		d4-05	Frequency Reference Bias Operation Mode Selection (Up/Down 2)	
C6-03	Carrier Frequency Upper Limit		d4-06	Frequency Reference Bias (Up/Down 2)	
C6-04	Carrier Frequency Lower Limit		d4-07	Analog Frequency Reference Fluctuation Limit (Up/Down 2)	
C6-05	Carrier Frequency Proportional Gain				
C6-09	Carrier Frequency during Rotational Auto-Tuning				
C7-43	Input Voltage Offset Adjustment				
C7-56	Power Factor Control Selection				
C7-60	Output Voltage Limit Mode Selection				
d1-01	<b>Frequency Reference 1</b>				
d1-02	<b>Frequency Reference 2</b>				

No.	Name	User Setting	No.	Name	User Setting
d4-08 	Frequency Reference Bias Upper Limit (Up/Down 2)		E3-04	Motor 2 Maximum Output Frequency	
d4-09 	Frequency Reference Bias Lower Limit (Up/Down 2)		E3-05	Motor 2 Maximum Voltage	
d4-10	Up/Down Frequency Reference Limit Selection		E3-06	Motor 2 Base Frequency	
d5-01	Torque Control Selection		E3-07	Motor 2 Mid Output Frequency	
d5-02	Torque Reference Delay Time		E3-08	Motor 2 Mid Output Frequency Voltage	
d5-03	Speed Limit Selection		E3-09	Motor 2 Minimum Output Frequency	
d5-04	Speed Limit		E3-10	Motor 2 Minimum Output Frequency Voltage	
d5-05	Speed Limit Bias		E3-11	Motor 2 Mid Output Frequency 2	
d5-06	Speed/Torque Control Switchover Time		E3-12	Motor 2 Mid Output Frequency Voltage 2	
d5-08	Unidirectional Speed Limit Bias		E3-13	Motor 2 Base Voltage	
d6-01	Field Weakening Level		E4-01	Motor 2 Rated Current	
d6-02	Field Weakening Frequency Limit		E4-02	Motor 2 Rated Slip	
d6-03	Field Forcing Selection		E4-03	Motor 2 Rated No-Load Current	
d6-06	Field Forcing Limit		E4-04	Motor 2 Motor Poles	
d7-01 	Offset Frequency 1		E4-05	Motor 2 Line-to-Line Resistance	
d7-02 	Offset Frequency 2		E4-06	Motor 2 Leakage Inductance	
d7-03 	Offset Frequency 3		E4-07	Motor 2 Motor Iron-Core Saturation Coefficient 1	
E1-03	<b>V/f Pattern Selection</b>		E4-08	Motor 2 Motor Iron-Core Saturation Coefficient 2	
E1-04	<b>Maximum Output Frequency</b>		E4-09	Motor 2 Mechanical Loss	
E1-05	<b>Maximum Voltage</b>		E4-10	Motor 2 Iron Loss	
E1-06	<b>Base Frequency</b>		E4-11	Motor 2 Rated Power	
E1-07	Middle Output Frequency		E5-01	Motor Code Selection (for PM Motors)	
E1-08	Middle Output Frequency Voltage		E5-02	Motor Rated Power (for PM Motors)	
E1-09	<b>Minimum Output Frequency</b>		E5-03	Motor Rated Current (for PM Motors)	
E1-10	Minimum Output Frequency Voltage		E5-04	Number of Motor Poles (for PM Motors)	
E1-11	Middle Output Frequency 2		E5-05	Motor Stator Resistance (for PM Motors)	
E1-12	Middle Output Frequency Voltage 2		E5-06	Motor d-Axis Inductance (for PM Motors)	
E1-13	<b>Base Voltage</b>		E5-07	Motor q-Axis Inductance (for PM Motors)	
E2-01	<b>Motor Rated Current</b>		E5-09	Motor Induction Voltage Constant 1 (for PM Motors)	
E2-02	Motor Rated Slip		E5-11	Encoder Z-pulse Offset (for PM Motors)	
E2-03	Motor No-Load Current		E5-24	Motor Induction Voltage Constant 2 (for PM Motors)	
E2-04	<b>Number of Motor Poles</b>		E5-25	Polarity Switch for Initial Polarity Estimation Timeout (for PM Motors)	
E2-05	Motor Line-to-Line Resistance		F1-01	PG 1 Pulses Per Revolution	
E2-06	Motor Leakage Inductance		F1-02	Operation Selection at PG Open Circuit (PGo)	
E2-07	Motor Iron-Core Saturation Coefficient 1		F1-03	Operation Selection at Overspeed (oS)	
E2-08	Motor Iron-Core Saturation Coefficient 2		F1-04	Operation Selection at Deviation	
E2-09	Motor Mechanical Loss		F1-05	PG 1 Rotation Selection	
E2-10	Motor Iron Loss for Torque Compensation		F1-06	PG 1 Division Rate for PG Pulse Monitor	
E2-11	<b>Motor Rated Power</b>		F1-08	Overspeed Detection Level	
E3-01	Motor 2 Control Mode Selection		F1-09	Overspeed Detection Delay Time	
			F1-10	Excessive Speed Deviation Detection Level	
			F1-11	Excessive Speed Deviation Detection Delay Time	
			F1-12	PG 1 Gear Teeth 1	
			F1-13	PG 1 Gear Teeth 2	

## E.3 User Setting Table

No.	Name	User Setting	No.	Name	User Setting
F1-14	PG Open-Circuit Detection Time		F6-02	External Fault from Comm. Option Detection Selection	
F1-18	dv3 Detection Selection		F6-03	External Fault from Comm. Option Operation Selection	
F1-19	dv4 Detection Selection		F6-04	bUS Error Detection Time	
F1-20	PG Option Card Disconnect Detection 1		F6-06	Torque Reference/Torque Limit Selection from Comm. Option	
F1-21	PG 1 Signal Selection		F6-07	Multi-Step Speed Enable/Disable Selection when NefRef/ComRef is Selected	
F1-30	PG Option Card Port for Motor 2 Selection		F6-08	Reset Communication Parameters	
F1-31	PG 2 Pulses Per Revolution		F6-10	CC-Link Node Address	
F1-32	PG 2 Rotation Selection		F6-11	CC-Link Communications Speed	
F1-33	PG 2 Gear Teeth 1		F6-14	CC-Link bUS Error Auto Reset	
F1-34	PG 2 Gear Teeth 2		F6-20	MECHATROLINK Station Address	
F1-35	PG 2 Division Rate for PG Pulse Monitor		F6-21	MECHATROLINK Frame Size	
F1-36	PG Option Card Disconnect Detection 2		F6-22	MECHATROLINK Link Speed	
F1-37	PG2 Signal Selection		F6-23	MECHATROLINK Monitor Selection (E)	
F1-50	Encoder Selection		F6-24	MECHATROLINK Monitor Selection (F)	
F1-51	PGoH Detection Level		F6-25	Operation Selection at MECHATROLINK Watchdog Timer Error (E5)	
F1-52	Communication Speed of Serial Encoder Selection		F6-26	MECHATROLINK bUS Errors Detected	
F2-01	Analog Input Option Card Operation Selection		F6-30	PROFIBUS-DP Node Address	
F2-02	Analog Input Option Card Gain		F6-31	PROFIBUS-DP Clear Mode Selection	
F2-03	Analog Input Option Card Bias		F6-32	PROFIBUS-DP Data Format Selection	
F3-01	Digital Input Option Card Input Selection		F6-35	CANopen Node ID Selection	
F3-03	Digital Input Option DI-A3 Data Length Selection		F6-36	CANopen Communication Speed	
F4-01	Terminal V1 Monitor Selection		F6-45	BACnet Node Address	
F4-02	Terminal V1 Monitor Gain		F6-46	BACnet Baud Rate	
F4-03	Terminal V2 Monitor Selection		F6-47	Rx to Tx Wait Time	
F4-04	Terminal V2 Monitor Gain		F6-48	BACnet Device Object Identifier 0	
F4-05	Terminal V1 Monitor Bias		F6-49	BACnet Device Object Identifier 1	
F4-06	Terminal V2 Monitor Bias		F6-50	DeviceNet MAC Address	
F4-07	Terminal V1 Signal Level		F6-51	DeviceNet Communication Speed	
F4-08	Terminal V2 Signal Level		F6-52	DeviceNet PCA Setting	
F5-01	Terminal M1-M2 Output Selection		F6-53	DeviceNet PPA Setting	
F5-02	Terminal M3-M4 Output Selection		F6-54	DeviceNet Idle Mode Fault Detection	
F5-03	Terminal P1-PC Output Selection		F6-55	DeviceNet Baud Rate Monitor	
F5-04	Terminal P2-PC Output Selection		F6-56	DeviceNet Speed Scaling	
F5-05	Terminal P3-PC Output Selection		F6-57	DeviceNet Current Scaling	
F5-06	Terminal P4-PC Output Selection		F6-58	DeviceNet Torque Scaling	
F5-07	Terminal P5-PC Output Selection		F6-59	DeviceNet Power Scaling	
F5-08	Terminal P6-PC Output Selection		F6-60	DeviceNet Voltage Scaling	
F5-09	DO-A3 Output Mode Selection		F6-61	DeviceNet Time Scaling	
F6-01	Communications Error Operation Selection		F6-62	DeviceNet Heartbeat Interval	
			F6-63	DeviceNet Network MAC ID	
			F6-64 to F6-71	Reserved	

No.	Name	User Setting	No.	Name	User Setting
F6-72	PowerLink Node Address		H2-09	MEMOBUS Register 2 Address Select	
F7-01	IP Address 1		H2-10	MEMOBUS Register 2 Bit Select	
F7-02	IP Address 2		H3-01	Terminal A1 Signal Level Selection	
F7-03	IP Address 3		H3-02	Terminal A1 Function Selection	
F7-04	IP Address 4		H3-03	Terminal A1 Gain Setting	
F7-05	Subnet Mask 1		H3-04	Terminal A1 Bias Setting	
F7-06	Subnet Mask 2		H3-05	Terminal A3 Signal Level Selection	
F7-07	Subnet Mask 3		H3-06	Terminal A3 Function Selection	
F7-08	Subnet Mask 4		H3-07	Terminal A3 Gain Setting	
F7-09	Gateway Address 1		H3-08	Terminal A3 Bias Setting	
F7-10	Gateway Address 2		H3-09	Terminal A2 Signal Level Selection	
F7-11	Gateway Address 3		H3-10	Terminal A2 Function Selection	
F7-12	Gateway Address 4		H3-11	Terminal A2 Gain Setting	
F7-13	Address Mode at Startup		H3-12	Terminal A2 Bias Setting	
F7-14	Duplex Mode Selection		H3-13	Analog Input Filter Time Constant	
F7-15	Communication Speed Selection		H3-14	Analog Input Terminal Enable Selection	
F7-16	Communication Loss Timeout		H3-16	Terminal A1 Offset	
F7-17	EtherNet/IP Speed Scaling Factor		H3-17	Terminal A2 Offset	
F7-18	EtherNet/IP Current Scaling Factor		H3-18	Terminal A3 Offset	
F7-19	EtherNet/IP Torque Scaling Factor		H4-01	Multi-Function Analog Output Terminal FM Monitor Selection	
F7-20	EtherNet/IP Power Scaling Factor		H4-02	<b>Multi-Function Analog Output Terminal FM Gain</b>	
F7-21	EtherNet/IP Voltage Scaling Factor		H4-03	Multi-Function Analog Output Terminal FM Bias	
F7-22	EtherNet/IP Time Scaling		H4-04	Multi-Function Analog Output Terminal AM Monitor Selection	
F7-23 to F7-32	Dynamic Output Assembly Parameters		H4-05	Multi-Function Analog Output Terminal AM Gain	
F7-33 to F7-42	Dynamic Input Assembly Parameters		H4-06	Multi-Function Analog Output Terminal AM Bias	
H1-01	Multi-Function Digital Input Terminal S1 Function Selection		H4-07	Multi-Function Analog Output Terminal FM Signal Level Selection	
H1-02	Multi-Function Digital Input Terminal S2 Function Selection		H4-08	Multi-Function Analog Output Terminal AM Signal Level Selection	
H1-03	Multi-Function Digital Input Terminal S3 Function Selection		H5-01	Drive Node Address	
H1-04	Multi-Function Digital Input Terminal S4 Function Selection		H5-02	Communication Speed Selection	
H1-05	Multi-Function Digital Input Terminal S5 Function Selection		H5-03	Communication Parity Selection	
H1-06	Multi-Function Digital Input Terminal S6 Function Selection		H5-04	Stopping Method After Communication Error (CE)	
H1-07	Multi-Function Digital Input Terminal S7 Function Selection		H5-05	Communication Fault Detection Selection	
H1-08	Multi-Function Digital Input Terminal S8 Function Selection		H5-06	Drive Transmit Wait Time	
H2-01	Multi-Function Contact Output (terminal M1-M2)				
H2-02	Multi-Function Contact Output 2 (terminal M3-M4)				
H2-03	Multi-Function Contact Output 3 (terminal M5-M6)				
H2-06	Power Consumption Output Unit Selection				
H2-07	MEMOBUS Register 1 Address Select				
H2-08	MEMOBUS Register 1 Bit Select				

## E.3 User Setting Table

No.	Name	User Setting	No.	Name	User Setting
H5-07	RTS Control Selection		L3-06	Stall Prevention Level during Run	
H5-09	CE Detection Time		L3-14	Stall Prevention Level during Deceleration	
H5-10	Unit Selection for MEMOBUS/Modbus Register 0025H		L3-22	Deceleration Time at Stall Prevention during Acceleration	
H5-11	Communications ENTER Function Selection		L3-23	Automatic Reduction Selection for Stall Prevention during Run	
H5-12	Run Command Method Selection		L3-27	Stall Prevention Detection Time	
H5-17	Operation Selection when Unable to Write into EEPROM		L3-36	Vibration Suppression Gain during Acceleration (with Current Limit)	
H5-18	Filter Time Constant for Motor Speed Monitoring		L3-39	Current-limited Integral Time Constant during Acceleration	
H6-01	Pulse Train Input Terminal RP Function Selection		L3-40	Current-limited Maximum S-curve Selection during Acceleration	
H6-02 	Pulse Train Input Scaling		L3-41	Vibration Suppression Gain during Deceleration (with Current Limit)	
H6-03 	Pulse Train Input Gain		L3-44	Current-limited Integral Time Constant during Deceleration	
H6-04 	Pulse Train Input Bias		L3-45	Current-limited Maximum S-curve Selection during Deceleration	
H6-05 	Pulse Train Input Filter Time		L4-01	Speed Agree Detection Level	
H6-06 	Pulse Train Monitor Selection		L4-02	Speed Agree Detection Width	
H6-07 	Pulse Train Monitor Scaling		L4-03	Speed Agree Detection Level (+/-)	
H6-08	Pulse Train Input Minimum Frequency		L4-04	Speed Agree Detection Width (+/-)	
L1-01	<b>Motor Overload Protection Selection</b>		L4-05	Frequency Reference Loss Detection Selection	
L1-02	Motor Overload Protection Time		L4-06	Frequency Reference at Reference Loss	
L1-03	Motor Overheat Alarm Operation Selection (PTC input)		L4-07	Speed Agree Detection Selection	
L1-04	Motor Overheat Fault Operation Selection (PTC input)		L5-01	Number of Auto Restart Attempts	
L1-05	Motor Temperature Input Filter Time (PTC input)		L5-02	Auto Restart Fault Output Operation Selection	
L1-08	oL1 Current Level		L5-04	Fault Reset Interval Time	
L1-09	oL1 Current Level for Motor 2		L5-05	Fault Reset Operation Selection	
L1-13	Continuous Electrothermal Operation Selection		L6-01	Torque Detection Selection 1	
L2-01	Momentary Power Loss Operation Selection		L6-02	Torque Detection Level 1	
L2-02	Momentary Power Loss Ride-Thru Time		L6-03	Torque Detection Time 1	
L2-03	Momentary Power Loss Minimum Baseblock Time		L6-04	Torque Detection Selection 2	
L2-04	Momentary Power Loss Voltage Recovery Ramp Time		L6-05	Torque Detection Level 2	
L2-07	KEB Acceleration Time		L6-06	Torque Detection Time 2	
L2-13	Input Power Frequency Fault Detection Gain		L6-08	Mechanical Weakening Detection Operation	
L2-21	Low Input Voltage Detection Level		L6-09	Mechanical Weakening Detection Speed Level	
L2-27	Input Power Frequency Fault Detection Width		L6-10	Mechanical Weakening Detection Time	
L3-01	Stall Prevention Selection during Acceleration		L6-11	Mechanical Weakening Detection Start Time	
L3-02	Stall Prevention Level during Acceleration		L7-01	Forward Torque Limit	
L3-03	Stall Prevention Limit during Acceleration		L7-02	Reverse Torque Limit	
L3-04	Stall Prevention Selection during Deceleration		L7-03	Forward Regenerative Torque Limit	
L3-05	Stall Prevention Selection during Run		L7-04	Reverse Regenerative Torque Limit	
			L7-06	Torque Limit Integral Time Constant	
			L7-07	Torque Limit Control Method Selection during Accel/Decel	
			L7-16	Torque Limit Process at Start	



No.	Name	User Setting	No.	Name	User Setting
L8-02	Overheat Alarm Level		n8-45	Speed Feedback Detection Control Gain (for PM Motors)	
L8-03	Overheat Pre-Alarm Operation Selection		n8-47	Pull-In Current Compensation Time Constant (for PM Motors)	
L8-07	Output Phase Loss Protection		n8-48	Pull-In Current (for PM Motors)	
L8-09	Output Ground Fault Detection Selection		n8-49	d-Axis Current for High Efficiency Control (for PM Motors)	
L8-10	Heatsink Cooling Fan Operation Selection		n8-51	Acceleration/Deceleration Pull-In Current (for PM Motors)	
L8-11	Heatsink Cooling Fan Off Delay Time		n8-54	Voltage Error Compensation Time Constant	
L8-12	Ambient Temperature Setting		n8-55	Load Inertia	
L8-15	oL2 Characteristics Selection at Low Speeds		n8-57	High Frequency Injection	
L8-18	Software Current Limit Selection		n8-62	Output Voltage Limit (for PM Motors)	
L8-19	Frequency Reduction Rate during Overheat Pre-Alarm		n8-69	Speed Calculation Gain	
L8-27	Overcurrent Detection Gain		n8-72	Speed Estimation Method Selection	
L8-29	Current Unbalance Detection (LF2)		n8-84	Initial Polarity Estimation Timeout Current	
L8-32	Cooling Fan Failure Selection		o1-01	Drive Mode Unit Monitor Selection	
L8-35	Installation Method Selection		o1-02	User Monitor Selection After Power Up	
L8-38	Carrier Frequency Reduction Selection		o1-03	Digital Operator Display Selection	
L8-40	Carrier Frequency Reduction Off-Delay Time		o1-04	V/f Pattern Display Unit	
L8-41	High Current Alarm Selection		o1-05	LCD Contrast Control	
L8-93	LSO Detection Time at Low Speed		o1-10	User-Set Display Units Maximum Value	
L8-94	LSO Detection Level at Low Speed		o1-11	User-Set Display Units Decimal Display	
L8-95	Average LSO Frequency at Low Speed		o2-01	LO/RE Key Function Selection	
L9-03	Carrier Frequency Reduction Level Selection		o2-02	STOP Key Function Selection	
n1-01	Hunting Prevention Selection		o2-03	User Parameter Default Value	
n1-02	Hunting Prevention Gain Setting		o2-04	Drive Model Selection	
n1-03	Hunting Prevention Time Constant		o2-05	Frequency Reference Setting Method Selection	
n1-05	Hunting Prevention Gain while in Reverse		o2-06	Operation Selection when Digital Operator is Disconnected	
n2-01	Speed Feedback Detection Control (AFR) Gain		o2-07	Motor Direction at Power Up when Using Operator	
n2-02	Speed Feedback Detection Control (AFR) Time Constant 1		o3-01	Copy Function Selection	
n3-13	Overexcitation Deceleration Gain		o3-02	Copy Allowed Selection	
n5-01	Feed Forward Control Selection		o4-01	Cumulative Operation Time Setting	
n5-02	Motor Acceleration Time		o4-02	Cumulative Operation Time Selection	
n5-03	Feed Forward Control Gain		o4-03	Cooling Fan Maintenance Operation Time Setting	
n6-01	Online Tuning Selection		o4-05	Capacitor Maintenance Setting	
n6-05	Online Tuning Gain		o4-07	DC Bus Pre-charge Relay Maintenance Setting	
n8-01	Initial Rotor Position Estimation Current		o4-11	U2, U3 Initialize Selection	
n8-02	Pole Attraction Current		o4-12	kWh Monitor Initialization	
n8-11	Induction Voltage Estimation Gain 2		o4-13	Number of Run Commands Counter Initialization	
n8-14	Polarity Compensation Gain 3		o4-19	Power Unit Price	
n8-15	Polarity Compensation Gain 4		q1-01 to q6-07	DriveWorksEZ Parameters	
n8-21	Motor Ke Gain				
n8-35	Initial Rotor Position Detection Selection				
n8-36	High Frequency Injection Level				
n8-37	High Frequency Injection Amplitude				
n8-39	Low Pass Filter Cutoff Frequency for High Frequency Injection				

### E.3 User Setting Table

No.	Name	User Setting
r1-01 to r1-40	DWEZ Connection Parameter 1 to 20 (upper/lower)	
T1-00	Motor 1/Motor 2 Selection	
T1-01	Auto-Tuning Mode Selection	
T1-02	Motor Rated Power	
T1-03	Motor Rated Voltage	
T1-04	Motor Rated Current	
T1-05	Motor Base Frequency	
T1-06	Number of Motor Poles	
T1-07	Motor Base Speed	
T1-08	PG Number of Pulses Per Revolution	
T1-09	Motor No-Load Current (Stationary Auto-Tuning)	
T1-10	Motor Rated Slip (Stationary Auto-Tuning)	
T1-11	Motor Iron Loss	
T2-01	PM Motor Auto-Tuning Mode Selection	
T2-02	PM Motor Code Selection	
T2-03	PM Motor Type	
T2-04	PM Motor Rated Power	

No.	Name	User Setting
T2-05	PM Motor Rated Voltage	
T2-06	PM Motor Rated Current	
T2-07	PM Motor Base Frequency	
T2-08	Number of PM Motor Poles	
T2-09	PM Motor Base Speed	
T2-10	PM Motor Stator Resistance	
T2-11	PM Motor d-Axis Inductance	
T2-12	PM Motor q-Axis Inductance	
T2-13	Induced Voltage Constant Unit Selection	
T2-14	PM Motor Induced Voltage Constant	
T2-15	Pull-In Current Level for PM Motor Tuning	
T2-16	PG Number of Pulses Per Revolution for PM Motor Tuning	
T2-17	Encoder Z Pulse Offset	
T3-01	Test Signal Frequency	
T3-02	Test Signal Amplitude	
T3-03	Motor Inertia	
T3-04	System Response Frequency	



# Index

+	89	Analog Input Option Card Operation Selection .....	236
+V, -V .....	89	Analog Inputs / Pulse Train Input .....	89
<b>Numerics</b>		Analog Input Terminal Enable Selection .....	270
2-Wire Initialization .....	153	Analog Monitor Card Settings .....	238
3-Wire Initialization .....	153	AO-A3 .....	412
3-Wire Sequence .....	247	AO-A3 Settings .....	238
5th Most Recent Fault .....	523	Aov .....	335
<b>A</b>		Application Presets .....	127
A1 .....	89	Application Selection .....	3
A1-02 (Motor 1 Control Mode) Dependent Parameters .....	530	ASR .....	197
A1-03 .....	147	ASR Gain Auto-Tuning .....	133
A1-04, A1-05: Password and Password Setting .....	154	ASR Gain Switching Frequency .....	199
A2 .....	89	ASR Integral Limit .....	200
A3 .....	89	ASR Integral Time .....	199
AC .....	89	ASR Limit .....	200
Accel/Decel Time .....	435	ASR Primary Delay Time Constant .....	200
Accel/Decel Time Setting Units .....	192	ASR Proportional Gain .....	199
Accel/Decel Time Switching Frequency .....	193	ASR Response Frequency .....	143
Acceleration/Deceleration Pull-In Current (for PM Motors) .....	309	Attaching the Protective Cover .....	79
Acceleration Error .....	366	Attachment for External Heatsink .....	413, 426
Acceleration Time .....	191	Automatic Reduction for Stall Prevention during Run .....	288, 500
Acceleration Time Pull-In Current (for PM Motors) .....	510	Automatic Speed Regulator .....	197
Access Level Selection .....	152	Auto Restart Fault Output Operation Selection .....	291
Action Selection below Minimum Output Frequency .....	163	Auto Restart Operation Selection .....	502
Adjusted Slip Calculation Error .....	364	Auto-Tuning .....	3, 133, 137
Adjusting the ASR Parameters .....	197	Auto-Tuning Codes .....	364
AEr .....	351	Auto-Tuning Errors .....	334
AI-A3 .....	412	Auto-Tuning Fault Codes .....	135
AI-A3 Settings .....	236	Auto-Tuning Fault Detection .....	364
Air Compressor Application .....	129	Auto-Tuning Fault Solutions .....	364
Alarm Outputs for Maintenance Monitors .....	390	Auto-Tuning for Induction Motors .....	130
Alarm Register 007FH Contents .....	589	Auto-Tuning for Permanent Magnet Motors .....	131
Alarms and Errors .....	3	Auto-Tuning Input Data .....	131, 132, 133, 134
ALM LED Light .....	109	Auto-Tuning Interruption and Fault Codes .....	135
Altitude .....	50	Auto-Tuning Mode Selection .....	138, 515
AM .....	89	AUv .....	335
Ambient Temperature .....	50	<b>B</b>	
Ambient Temperature and Installation Method Derating .....	439	Backing Up Parameter Values .....	147
Ambient Temperature Setting .....	299, 439, 505	Backspin Search Direction Judgment Time 1/2 .....	174
Analog Frequency Reference Fluctuation Limit .....	213	Baseblock .....	351
Analog Frequency Reference Sample/Hold .....	252	Base Frequency .....	223
Analog Input Card Settings .....	236	Base Voltage .....	223
Analog Input Filter Time Constant .....	269	Basic Auto-Tuning Preparations .....	133
Analog Input Option Card Bias .....	237	bb .....	351
Analog Input Option Card Gain .....	237	Bi-Directional Speed Search Selection .....	172
		Bottom cover .....	42, 43, 44, 45

Braking Torque .....	435	Control Circuit Error .....	336
Broadcast Messages .....	587	Control Circuit Input Terminals .....	88
bUS .....	335, 351	Control Circuit Output Terminals .....	89
bUS Error Detection Time .....	241	Control Circuit Overvoltage .....	347
<b>C</b>		Control Circuit Terminal Block Functions .....	88
Cable Length Between Drive and Motor .....	86	Control Circuit Undervoltage Fault .....	350
CALL .....	352	Control Circuit Voltage .....	519
Cannot Reset .....	352	Control Fault .....	336
CANopen Communication Speed .....	243	Control Method Selection .....	152
CANopen Node ID Selection .....	243	Control Method Selection Error .....	361
CANopen Parameters .....	243	Control Mode .....	152, 519
Capacitor Maintenance .....	524	Control Mode Dependent Parameter Default Values .....	530
Capacitor Maintenance Setting .....	316, 513	Control Mode Mismatch .....	369
Capacitor Maintenance Time .....	355	Control Modes and Features .....	31
Carrier Frequency and Current Derating .....	438	Control Mode Selection .....	31
Carrier Frequency Derating .....	438	Control Power Supply Voltage Fault .....	350
Carrier Frequency during Rotational Auto-Tuning .....	204	Conveyor Application .....	128
Carrier Frequency Lower Limit .....	203	Cooling fan .....	38, 39, 40, 41, 42, 43, 44, 45
Carrier Frequency Proportional Gain .....	203	Cooling Fan Maintenance .....	524
Carrier Frequency Reduction .....	505	Cooling Fan Maintenance Setting (Operation Time) .....	513
Carrier Frequency Reduction Off-Delay Time .....	301	Cooling Fan Maintenance Time .....	355
Carrier Frequency Reduction Selection .....	301	Cooling Fan Operation Time .....	524
Carrier Frequency Selection .....	86	Cooling Fan Operation Time Setting .....	316
Carrier Frequency Setting Error .....	362	CoPy .....	369
Carrier Frequency Upper Limit .....	203	Copy Allowed Selection .....	316
CC-Link bUS Error Auto Reset .....	241	Copy Function .....	148
CC-Link Communication Speed .....	241	Copy Function Errors .....	330
CC-Link Node Address .....	241	Copy Function Selection .....	315
CC-Link Parameters .....	241	Copy Unit Error .....	369
CE .....	336, 352	CopyUnitManager .....	148
CE Detection Time .....	566	CPEr .....	369
CE Low Voltage Directive Compliance .....	596	CPF25 .....	337
CF .....	336	CPyE .....	369
Changing Parameter Settings or Values .....	114	CRC-16 .....	570
Closed-Loop Crimp Terminal Size .....	604	CRC-16 Checksum Calculation Example .....	571
Closed Loop Vector control .....	31	CrST .....	352
Closed Loop Vector Control for PM Motors .....	31	CSEr .....	369
CoF .....	336	Cumulative Operation Time .....	523
Comm. option card connection error (CN5-A) .....	343	Cumulative Operation Time at 5th Most Recent Fault .....	523
Command Messages from Master to Drive .....	569	Cumulative Operation Time at Most Recent Fault .....	523
Commercial Power Switching Output Freq. Coincidence Level .....	166	Cumulative Operation Time at Previous Fault .....	522
Commercial Power Switching Selection .....	166	Cumulative Operation Time Selection .....	316, 512
Communication Error .....	369	Cumulative Operation Time Setting .....	316, 512
Communication Fault Detection Selection .....	566	Current Alarm .....	355
Communication Option Card .....	239	Current Detection Error .....	366
Communication Option Card Reference .....	525	Current Fault .....	521
Communication Parity Selection .....	565	Current Offset Fault .....	336
Communications Enter Function Selection .....	567	Current Unbalance Detection (LF2) .....	300, 505
Communications Error Operation Selection .....	239	Cyc .....	352
Communication Speed of Serial Encoder Selection .....	236	Cyclic Redundancy Check .....	570
Communication Speed Selection .....	565	<b>D</b>	
Communications Timing .....	569	Daily Inspection .....	386
Comparing Parameter Settings .....	370	Damping Resistor Overheat .....	337
Component Names .....	38	d-Axis ACR Output .....	526
Connecting a Surge Absorber .....	426	d-Axis Current for High Efficiency Control (for PM Motors) .....	309, 509
Connecting Peripheral Devices .....	414	DC Bus Pre-Charge Relay Maintenance Setting .....	316
Connecting to a PC (USB) .....	98	DC Bus Voltage at Previous Fault .....	522
Connection of a Motor PTC .....	281	DC Injection Braking Current .....	167
Continuous Electrothermal Operation Selection .....	283, 498	DC Injection Braking Input Timing Diagram .....	254

DC Injection Braking Start Frequency	160	Drive Model Mismatch	369
DC Injection Braking Time at Start	161	Drive Models and Types	57
DC Injection Braking Time at Stop	168	Drive Model Selection	314
D Control	177	Drive Mode Unit Monitor Selection	312, 511
Deceleration Time	191	Drive Operation Status at Previous Fault	522
Deceleration Time at Stall Prevention during Acceleration	285, 500	Drive Overload	346
Defaults by Drive Model Selection (o2-04) and ND/HD (C6-01)	135	Drive Protection 2	302
Derivative Time (D)	180	Drive Replacement	405
DeviceNet Baud Rate Monitor	244	Drive Slave Address	565
DeviceNet Communication Speed	244	Drive Specifications	435
DeviceNet Heartbeat Interval	245	Drive Status	520
DeviceNet Idle Mode Fault Detection	244	Drive Transmit Wait Time	566
DeviceNet MAC Address	243	Drive Watt Loss Data	50
DeviceNet Network MAC ID	245	DriveWizard Industrial	148, 413
DeviceNet Parameters	243	DriveWorksEZ	413
DeviceNet PCA Setting	244	DriveWorksEZ Connection Parameters	317
DeviceNet PPA Setting	244	DriveWorksEZ Custom Monitor 1 to 10	528
DeviceNet Scaling Factors	244	DriveWorksEZ Fault	338
dFPS	369	DriveWorksEZ Function Selection	156
DI-A3	412	DriveWorksEZ Monitors	320
DI-A3 Settings	237	DriveWorksEZ Parameters	317
Diagnosing and Resetting Faults	349	Droop Control Delay Time	188
Digital Input Card Settings	237	Droop Control Gain	187
Digital Input Option Card Input Selection	237	During Commercial Power Operation	266
Digital Input Option DI-A3 Data Length Selection	237	During Frequency Output Time Chart	265
Digital Input Reading	164	During Run Time Chart	257
Digital Operator	38	dv1	337
Digital operator	38, 39, 40, 41, 42, 43, 44, 45	dv2	337
Digital Operator Dimensions	54	dv3	337
Digital Operator Display Selection	312, 511	dv3 Detection Selection	235
Digital Operator Installation Methods and Required Tools	54	dv4	338
Digital Operator Keypad Functions	313	dv4 Detection Selection	235
Digital Operator Menu and Screen Structure	112	dv7	338
Digital Operator Remote Installation	54	dWAL	338
digital operator remote usage	53	Dwell Function	186
Digital Output Card Settings	238	Dwell Reference at Start	187
Digital Output Option Card Terminal Function Selection	239	Dwell Reference at Stop	187
Dimensions for IP00 Enclosure: 200 V Class	58	Dwell Time at Start	187
Dimensions for IP00 Enclosure: 400 V Class	59	Dwell Time at Stop	187
Dimensions for IP20/NEMA Type 1 Enclosure: 200 V Class	60	DWEZ Version Control Monitor 1 to 3	528
Dimensions for IP20/NEMA Type 1 Enclosure: 400 V Class	61	dWF1	338
DIP Switch S1 Settings	96	dWFL	338
DIP Switch S4 Settings	96	<b>E</b>	
DM-	89	E (G)	89
DM+	89	E2-03	365
dnE	353	E3-01 (Motor 2 Control Mode) Dependent Parameters	533
DO-A3	412	E5	338
DO-A3 Output Mode Selection	239	EDM Switch Settings	97
DO-A3 Settings	238	EEPROM Memory DriveWorksEZ Data Error	338
doH	337	EEPROM Write Error	339
Down Arrow Key	109	EF	353
Drive/kVA Selection	512	EF0	339, 353
Drive Cooling Fans	340	EF1	339, 353
Drive cover	40, 44	EF2	339, 353
Drive cover 1	41, 45	EF3	339, 353
Drive cover 2	41, 45	EF4	339, 354
Drive Derating Data	438	EF5	339, 354
Drive Disabled	353	EF6	339, 354
Drive Duty Mode Selection	202	EF7	339, 354
Drive Mode	113, 114		

EF8 .....	339, 354	External Fault .....	339, 353
Electromotive Force Parameter Tuning .....	131	External Fault from Comm. Option Detection Selection .....	240
EMC Filter and Drive Installation for CE Compliance .....	598	External Fault from Comm. Option Operation Selection .....	240
EMC Filter Installation .....	596	External Interlock .....	103
EMC Guidelines Compliance .....	596	Eye bolt .....	38, 39, 42, 43
Enclosure Types .....	37	<b>F</b>	
Encoder Selection .....	236	Fan fault .....	339
Encoder Z-Pulse Offset .....	142	Fast Stop Sequence .....	251
Encoder Z-Pulse Offset (for PM Motors) .....	231	Fast Stop Time .....	192
End .....	369	Fault Causes and Solutions .....	335
End1 .....	364	Fault Detection .....	335
End2 .....	364	Fault Displays .....	335
End3 .....	364	Fault History .....	319
End4 .....	364	Fault Relay Output .....	89
End5 .....	364	Fault Reset Interval Time .....	292, 502
End6 .....	364	Fault Reset Methods .....	330
End7 .....	365	Fault Reset Operation Selection .....	292, 502
EnDat Encoder .....	412	Fault Restart .....	264
Energy Saving .....	188	Faults .....	330, 331
Energy Saving Coefficient Value .....	189	Fault Trace .....	319, 371
Energy Saving Control Filter Time Constant .....	189	FbH .....	340, 354
Energy Saving Control Selection .....	188	FbL .....	340, 354
Energy Saving Gain .....	188	Fdv .....	340
Energy Savings Constants Error .....	363	Feed Forward Control .....	305
Enter Command .....	567	Feed Forward Control Diagram .....	305
Enter command necessary .....	567	Feed Forward Control Gain .....	306
Enter command not necessary .....	567	Feed Forward Control Selection .....	305
Enter Command Types .....	590	Ferrule Dimensions .....	90
Enter Data from the Motor Nameplate .....	136	Ferrule Terminal Types and Sizes .....	91
ENTER Key .....	109	Ferrule-Type Wire Terminals .....	90
Er-01 .....	365	Field Forcing .....	218
Er-02 .....	365	Field Forcing Limit .....	219
Er-03 .....	365	Field Forcing Selection .....	219
Er-04 .....	365	Field Weakening .....	218
Er-05 .....	365	Field Weakening Frequency Limit .....	218
Er-08 .....	366	Field Weakening Level .....	218
Er-09 .....	366	Fine-Tuning Advanced Open Loop Vector Control for PM Motors .....	328
Er-10 .....	366	Fine-Tuning Closed Loop Vector Control .....	326
Er-11 .....	366	Fine-Tuning Closed Loop Vector Control for PM Motors .....	328
Er-12 .....	366	Fine-Tuning Open Loop Vector Control for PM Motors .....	327
Er-13 .....	367	Fine-Tuning V/f Control and V/f Control with PG .....	324
Er-14 .....	367	FJOG/RJOG Operation .....	250
Er-15 .....	367	FM .....	89
Er-16 .....	367	Forward/Reverse Run Command Input Error .....	353
Er-17 .....	367	Forward Regenerative Torque Limit .....	296, 504
Er-18 .....	367	Forward Torque Limit .....	296, 504
Er-19 .....	367	Frequency Accuracy (Temperature Fluctuation) .....	435
Er-20 .....	367	Frequency Control Range .....	435
Er-21 .....	368	Frequency Detection 1 Time Chart .....	259
Er-25 .....	368	Frequency Detection 2 Time Chart .....	260
Err .....	339	Frequency Detection 3 Example with a Positive L3-04 Value .....	263
Error Reading Data .....	370	Frequency Detection 4 Example with Positive L3-04 Value .....	263
Errors and Displays When Using the Copy Function .....	334	Frequency Reduction Rate during Overheat Pre-Alarm .....	299, 505
Error Writing Data .....	369	Frequency Reference .....	205, 519
European Standards .....	596	Frequency Reference at Previous Fault .....	522
Excessive PID Feedback .....	340, 354	Frequency Reference at Reference Loss .....	290, 502
Excessive V/f Setting .....	364	Frequency Reference Bias .....	211
Exhaust Fan Application .....	128	Frequency Reference Bias (Up/Down 2) .....	527
Exterior and Mounting Dimensions .....	57	Frequency Reference Bias Accel/Decel .....	212
External Digital Operator Connection Fault .....	347		

Frequency Reference Bias Lower Limit .....	211	Hunting Prevention Selection .....	303, 507
Frequency Reference Bias Operation Mode Selection .....	212	Hunting Prevention Time Constant .....	303, 507
Frequency Reference Bias Step .....	211	HVAC Fan Application .....	129
Frequency Reference Bias Upper Limit .....	211	<b>I</b>	
Frequency Reference from MEMOBUS/Modbus Comm .....	524	I/O Connections .....	66
Frequency Reference Hold Function Selection .....	209	iFEr .....	369
Frequency Reference Loss Detection Selection .....	261, 502	IG .....	89
Frequency Reference Lower Limit .....	207	Incorrect Input Voltage Adjustment .....	363
Frequency Reference Monitor Content During PID .....	185	Induced Voltage Constant Unit Selection .....	141
Frequency Reference Selection .....	446	Induction Voltage Error .....	367
Frequency Reference Selection 1 .....	158	Induction Voltage Estimation Gain 2 .....	307
Frequency Reference Selection 2 .....	165	Inertia Tuning .....	133
Frequency Reference Setting / Decimal Display .....	511	Inertia Tuning Frequency Reference .....	143
Frequency Reference Setting and User-Set Display .....	511	Inertia Tuning Reference Amplitude .....	143
Frequency Reference Setting Hierarchy .....	205	Initialization .....	152
Frequency Reference Setting Method Selection .....	314, 512	Initialization Required .....	361
Frequency Reference Source Selection .....	524	Initialize Parameters .....	147, 153
Frequency Reference Upper Limit .....	207	Initial Operation .....	119
Frequency Setting Resolution .....	435	Initial Polarity Estimation Timeout .....	338
Frequency Setting Signal .....	435	Initial Rotor Position Detection Selection .....	308
Front cover .....	38, 39, 40, 41, 42, 43, 44, 45	Initial Rotor Position Estimation Current .....	307
Function Code .....	570	Input Pulse Monitor .....	521
Functions for Terminals S1 to S8 .....	246	Input Terminals .....	118
<b>G</b>		Input Terminal Status .....	519
GF .....	340	Input Terminal Status at Previous Fault .....	522
Ground Fault .....	340	Inrush Prevention Relay Maintenance Setting .....	513
Ground Wiring .....	86	Inspection .....	386, 387
<b>H</b>		Installation Area .....	50
H1 .....	88	Installation Environment .....	50
H1 Multi-Function Digital Input Selections .....	483	Installation Method Selection .....	300
H2 .....	88	Installation Orientation .....	50
H3-02 .....	378	Installation Spacing .....	51
H3-09 .....	96	Installing a GFCI .....	425
H3 Multi-Function Analog Input Settings .....	493	Installing a Magnetic Contactor .....	25
Hanging bracket .....	40, 41, 44, 45	Installing a Molded Case Circuit Breaker (MCCB) .....	24
HC .....	88	Installing a Motor Thermal Overload (oL) Relay on the Drive Output .....	426
HCA .....	355	Installing Peripheral Devices .....	425
HD .....	202	Installing the Cooling Fan .....	394
Heatsink .....	38, 39, 40, 41, 42, 43, 44, 45	Integral Limit Setting .....	180
Heatsink Cooling Fan Off-Delay Time .....	299	Integral Operation during Accel/Decel .....	200
Heatsink Cooling Fan Operation Delay Time .....	505	Integral Operation during Accel/Decel for Motor 2 .....	202
Heatsink Cooling Fan Operation Selection .....	298, 505	Integral Time Setting (I) .....	180
Heatsink Overheat .....	344, 356	Interlock Circuit Example .....	103
Heatsink Overheat Warning .....	356	Internal Resistance Fault .....	349
Heatsink Temperature .....	524	Inversion Detection .....	337
Heavy Duty .....	202	Inversion Prevention Detection .....	338
Heavy Duty Ratings .....	202	IP00/Open Type Enclosures .....	37
High Current Alarm Selection .....	301	IP20/NEMA Type 1 Enclosures .....	37
High Frequency Injection .....	153	IP20/NEMA Type 1 Kit .....	413
High Frequency Injection Amplitude .....	308	<b>J</b>	
High Frequency Injection Level .....	308	Jog Frequency Reference .....	205
High Frequency Injection Parameter Tuning .....	131	Jump Frequency Width .....	208
High Frequency Injection Parameter Tuning Error .....	368	<b>K</b>	
High Performance Operation Using OLV or CLV .....	122	KEB Acceleration Time .....	499
Humidity .....	50	Keys and Displays on the Digital Operator .....	0
Hunting Prevention .....	303	kWh Monitor Initialization .....	317
Hunting Prevention Gain Setting .....	303, 507	kWh Monitor Initial Value Selection .....	513
Hunting Prevention Gain while in Reverse .....	303, 507		

<b>L</b>	
L3-02 .....	380
L8-12 .....	439
L8-35 .....	439
Language Selection.....	152
LCD Contrast Control.....	511
LCD Display .....	110
Leakage Inductance Alarm .....	364
Leakage Inductance Error .....	367
LED Check .....	524
LED Operator .....	413
LF .....	341
LF2 .....	341
Line-to-Line Motor Resistance Online Tuning.....	508
Line-to-Line Resistance Error.....	365
LO/RE.....	111
LO/RE (LOCAL/REMOTE) Key Function Selection.....	165
LO/RE LED .....	111
LO/RE Light.....	109
LO/RE Selection Key.....	109
Load Inertia.....	310, 510
Load Inertia Ratio.....	201
LOCAL.....	118
LOCAL/REMOTE Key Function Selection .....	511
LOCAL/REMOTE Run Selection.....	165
Loopback Test.....	572
Loss of Reference Function .....	290
Low Pass Filter Cutoff Frequency for High Frequency Injection.....	308
Low Voltage Wiring for Control Circuit Terminals .....	607
LSo .....	341
LSo Fault.....	341
LT-1 .....	355
LT-2 .....	355
LT-3 .....	355
<b>M</b>	
M1 .....	89
M2 .....	89
M3 .....	89
M4 .....	89
M5 .....	89
M6 .....	89
MA.....	89
Magnetic Flux Compensation Value.....	168
Main Circuit Connection Diagram .....	69
Main Circuit Terminal .....	46
Main Circuit Terminal and Motor Wiring.....	85
Main Circuit Terminal Functions.....	80
Main Circuit Terminal Wiring.....	86
Main Circuit Wiring.....	80
Maintenance .....	264
Maintenance Alarms .....	390
Maintenance Monitors .....	319
Maintenance Monitor Settings.....	316
Master Speed Reference Lower Limit .....	208
Maximum Output Frequency.....	223
Maximum Voltage.....	223
MB.....	89
MC.....	89
Mechanical Weakening Detection.....	264
Mechanical Weakening Detection 1 .....	347, 357
Mechanical Weakening Detection 2 .....	350
Mechanical Weakening Detection Operation.....	294, 503
Mechanical Weakening Detection Speed Level.....	295, 503
Mechanical Weakening Detection Start Time .....	295, 503
Mechanical Weakening Detection Time.....	295, 503
MECHATROLINK bUS Errors Detected.....	242
MECHATROLINK Comm. Cycle Setting Error.....	352
MECHATROLINK Frame Size .....	241
MECHATROLINK Link Speed .....	242
MECHATROLINK Monitor Selection (Code 0EH).....	242
MECHATROLINK Station Address.....	241
MEMOBUS/Modbus Comm. Test Mode Complete.....	357
MEMOBUS/Modbus Communication Error.....	336, 352
MEMOBUS/Modbus Communications Reference.....	525
MEMOBUS/Modbus Communication Test Mode Error.....	358
MEMOBUS/Modbus Data Table.....	574
MEMOBUS/Modbus Error Code .....	520
MEMOBUS/Modbus Error Codes .....	591
MEMOBUS/Modbus Setup Parameters .....	565
MEMOBUS/Modbus Specifications .....	561
MEMOBUS/Modbus Switch Settings .....	97
Menu Structure for Digital Operator .....	112
Message Format .....	570
Middle Output Frequency .....	223
Middle Output Frequency 2 .....	223
Middle Output Frequency Voltage .....	223
Middle Output Frequency Voltage 2.....	223
Minimum Output Frequency .....	223
Minimum Output Frequency Voltage.....	223
Minimum Wait Time for Sending Messages.....	569
Minor Fault .....	365
Minor Fault and Alarm Displays .....	333
Minor Faults and Alarms .....	330, 333
Model, Voltage Class, Capacity Mismatch.....	370
Model Number and Nameplate Check.....	34
Modes .....	113
Momentary Overcurrent Protection .....	436
Momentary Power Loss Minimum Baseblock Time.....	284, 499
Momentary Power Loss Operation Selection .....	170, 499
Momentary Power Loss Ride-Thru .....	283, 436
Momentary Power Loss Ride-Thru Time .....	284, 499
Momentary Power Loss Voltage Recovery Acceleration Time.....	284
Momentary Power Loss Voltage Recovery Ramp Time .....	284, 499
Monitor Output.....	89
Monitor Parameters.....	273, 519
Most Recent Fault .....	523
Motor 1/Motor 2 Selection .....	137
Motor 1 Parameters.....	224
Motor 2 ASR Gain Switching Frequency .....	201
Motor 2 ASR Integral Limit.....	201
Motor 2 ASR Integral Time.....	201
Motor 2 ASR Limit.....	201
Motor 2 ASR Primary Delay Time Constant .....	201
Motor 2 ASR Proportional Gain.....	201
Motor 2 Base Frequency.....	227
Motor 2 Base Voltage.....	227
Motor 2 Control Mode Selection .....	227
Motor 2 Inertia .....	202
Motor 2 Iron Loss.....	229

Motor 2 Leakage Inductance .....	229	Motor PG Feedback Line Driver Interface .....	412
Motor 2 Line-to-Line Resistance .....	229	Motor PG Feedback Open Collector Interface .....	412
Motor 2 Load Inertia Ratio .....	202	Motor Protection .....	278
Motor 2 Max Output Frequency .....	227	Motor Protection Using a PTC Thermistor .....	272
Motor 2 Max Voltage .....	227	Motor PTC Characteristics .....	282
Motor 2 Mechanical Loss .....	229	Motor q-Axis Current at Previous Fault .....	522
Motor 2 Mid Output Frequency .....	227	Motor q-Axis Inductance (for PM Motors) .....	231
Motor 2 Mid Output Frequency 2 .....	227	Motor Rated Current .....	138, 224, 515, 607
Motor 2 Mid Output Frequency Voltage .....	227	Motor Rated Current (for PM Motors) .....	231
Motor 2 Mid Output Frequency Voltage 2 .....	227	Motor Rated Power .....	138, 226, 515
Motor 2 Minimum Output Frequency .....	227	Motor Rated Power (for PM Motors) .....	230
Motor 2 Minimum Output Frequency Voltage .....	227	Motor Rated Slip .....	139, 224
Motor 2 Motor Iron-Core Saturation Coefficient 1 .....	229	Motor Rated Voltage .....	138, 515
Motor 2 Motor Iron-Core Saturation Coefficient 2 .....	229	Motor Rotates in One Direction Only .....	376
Motor 2 Motor Poles .....	229	Motor Secondary Current (Iq) .....	526
Motor 2 Parameters .....	228	Motor Selection .....	251
Motor 2 Rated Current .....	228	Motor Selection 1/2 .....	515
Motor 2 Rated No-Load Current .....	228	Motor Speed .....	519
Motor 2 Rated Power .....	230	Motor Speed at Previous Fault .....	522
Motor 2 Rated Slip .....	228	Motor Speed Error 2 .....	367
Motor 2 Slip Compensation Gain .....	195	Motor Stator Resistance (for PM Motors) .....	231
Motor 2 Slip Compensation Limit .....	195	Motor Switch during Run .....	358
Motor 2 Slip Compensation Primary Delay Time .....	195	Motor Temperature Input Filter Time .....	282, 498
Motor 2 Slip Compensation Selection during Regeneration .....	195	Motor Wiring .....	85
Motor 2 Torque Compensation Gain .....	197	MP .....	89
Motor Acceleration Time .....	305	Multi-Function Analog Input Selection Error .....	361
Motor Base Frequency .....	138, 515	Multi-Function Analog Input Terminal Settings .....	270
Motor Base Speed .....	139, 515	Multi-Function Analog Outputs .....	197
Motor Code Selection (for PM Motors) .....	230	Multi-Function Analog Output Terminal AM Bias .....	273
Motor Data Error .....	365	Multi-Function Analog Output Terminal AM Gain .....	273
Motor d-Axis Current at Previous Fault .....	522	Multi-Function Analog Output Terminal AM Monitor Selection .....	273
Motor d-Axis Inductance (for PM Motors) .....	231	Multi-Function Analog Output Terminal AM Signal Level Selection ..	274
Motor Direction at Power Up when Using Operator .....	315, 512	Multi-Function Analog Output Terminal FM Bias .....	273
Motor Direction Error .....	366	Multi-Function Analog Output Terminal FM Gain .....	273
Motor Does Not Rotate .....	375	Multi-Function Analog Output Terminal FM Monitor Selection .....	273
Motor Excitation Current (Id) .....	526	Multi-Function Analog Output Terminal FM Signal Level Selection ..	274
Motor Feedback Resolver Interface .....	412	Multi-Function Digital Inputs .....	88
Motor Induction Voltage Constant 1 (for PM Motors) .....	231	Multi-Function Digital Input Terminal Settings .....	246
Motor Induction Voltage Constant 2 (for PM Motors) .....	232	Multi-Function Digital Output .....	89
Motor Inertia .....	143, 201	Multi-Function Digital Output Terminal Settings .....	256
Motor Iron-Core Saturation Coefficient .....	364	Multi-Function Input Selection Error .....	360
Motor Iron-Core Saturation Coefficient 1 .....	225	Multiple Drive Wiring .....	86
Motor Iron-Core Saturation Coefficient 2 .....	225	Multi-Step Speed Selection .....	159
Motor Iron Loss .....	139, 516	<b>N</b>	
Motor Iron Loss for Torque Compensation .....	226	nI .....	80
Motor Ke Gain .....	308	Nameplate .....	34
Motor Leakage Inductance .....	225	ND .....	202
Motor Line-to-Line Resistance .....	225	ndAT .....	370
Motor Mechanical Loss .....	225	NetRef/ComRef Function Selection .....	240
Motor No-Load Current .....	139, 224	Network Termination .....	562
Motor Overheat .....	356	No-Load Current Alarm .....	365
Motor Overheat Alarm (PTC Input) .....	345	No-Load Current Error .....	365
Motor Overheat Alarm Operation Selection .....	282, 498, 608	No-Load Operation .....	144
Motor Overheat Fault (PTC Input) .....	345	No-Load Operation Test Run .....	144
Motor Overheat Fault Operation Selection .....	282, 498, 609	Normal Duty .....	202
Motor Overload .....	345	Normal Duty Ratings .....	202
Motor Overload Estimate (oL1) .....	524	Notes on Inertia Tuning and ASR Gain Auto-Tuning .....	135
Motor Overload Protection Selection .....	264, 498, 607	Notes on Rotational Auto-Tuning .....	134
Motor Overload Protection Time .....	280, 498, 608	Notes on Stationary Auto-Tuning .....	134
Motor Performance Fine-Tuning .....	324		

nSE .....	342	oPE20 .....	363
Number of Auto Restart Attempts .....	291, 502	oPE30 .....	363
Number of Motor Poles .....	139, 225, 515	oPE Fault Parameter .....	520
Number of Motor Poles (for PM Motors) .....	231	Open Loop Vector Control .....	31
Number of PM Motor Poles .....	141	Open Loop Vector Control for IPM Motors .....	31
Number of Run Commands .....	523	Open Loop Vector Control for PM Motors .....	31
Number of Run Commands Counter Initialization .....	317	Open Loop Vector Control Mode Tuning .....	325
Number of Speed Search Restarts .....	172	Open Loop Vector Control Mode Tuning Parameters .....	327, 328
<b>O</b>		Operating with the Load Connected .....	146
o2-03 .....	147	Operation Errors .....	330, 334
oFA00 .....	343	Operation Ready .....	103
oFA01 .....	343	Operation Selection at Overspeed (oS) .....	233
oFA02 to oFA06 .....	343	Operation Selection at PG Open Circuit (PGo) .....	233
oFA10 .....	343	Operation Selection at Watchdog Error (E5) .....	242
oFA11 .....	343	Operation Selection when Digital Operator is Disconnected .....	315, 512
oFA12 to oFA17 .....	343	Operation Status Monitors .....	319
oFA30 to oFA43 .....	343	Operation with Permanent Magnet Motors .....	124
oFb00 .....	343	Operator Programming Errors .....	360
oFb01 .....	343	Operator Related Settings .....	312
oFb02 .....	343	oPr .....	347
oFb03 to oFb11 .....	344	Option card connection error (CN5-A) .....	343
oFb12 to oFb17 .....	344	Option Card Connection Error at Option Port CN5-A .....	343
oFC00 .....	344	Option Card Connection Error at Option Port CN5-C .....	344
oFC01 .....	344	Option card error occurred at option port CN5-A .....	343
oFC02 .....	344	Option card error occurred at option port CN5-B .....	344
oFC03 to oFC11 .....	344	Option card error occurred at option port CN5-C .....	344
oFC12 to oFC17 .....	344	Option Card External Fault .....	339, 353
oFC50 to oFC55 .....	344	Option Card Fault at Option Port CN5-A .....	343
Offset Frequency .....	527	Option Card Fault at Option Port CN5-B .....	343
oH .....	344, 356	Option Card Fault at Option Port CN5-C .....	344
oH1 .....	345	Option Communication Error .....	335, 351
oH2 .....	356	Option Frequency Reference .....	524
oH3 .....	345, 356	Option Installation .....	415
oH4 .....	345	Option Settings .....	233
oL1 .....	345	oS .....	347, 357
oL1 Current Level .....	498	Oscillation or Hunting .....	379
oL1 Current Level for Motor 2 .....	498	Output Current .....	519
oL2 .....	346	Output Current 1 during Speed Search .....	171
oL2 Characteristics Selection at Low Speeds .....	299, 505	Output Current at Previous Fault .....	522
oL3 .....	346, 356	Output Current Imbalance .....	341
oL4 .....	347, 357	Output Frequency .....	519
oL5 .....	347, 357	Output Frequency after Soft Start .....	520
Online Tuning Gain .....	307	Output Frequency at Previous Fault .....	522
Online Tuning Selection .....	307	Output Frequency Reduction During Overheat Alarm .....	298
oPE01 .....	360	Output Frequency Resolution .....	435
oPE02 .....	360	Output Ground Fault Detection Selection .....	298, 504
oPE03 .....	360	Output of speed control (ASR) (for Simple V/f PG) .....	526
oPE04 .....	361	Output Phase Loss .....	341
oPE05 .....	361	Output Phase Loss Protection .....	504
oPE06 .....	361	Output Phase Loss Protection Selection .....	298
oPE07 .....	361	Output Power .....	519
oPE08 .....	362	Output Power at Previous Fault .....	522
oPE09 .....	362	Output Terminal Status .....	520
oPE10 .....	362	Output Terminal Status at Previous Fault .....	522
oPE11 .....	362	Output Voltage at Previous Fault .....	522
oPE13 .....	363	Output Voltage Limit (for PM Motors) .....	310
oPE15 .....	363	Output Voltage Limit Operation Selection .....	194
oPE16 .....	363	Output Voltage Reference .....	519
oPE18 .....	363	Output Voltage Reference (Vd) .....	526
		Output Voltage Reference (Vq) .....	526



ov.....	347, 357	PG Option Card Disconnection Detection 1 .....	235
Overcurrent .....	342	PG Option Card Disconnection Detection 2 .....	235
Overcurrent Detection Gain .....	300, 505	PG Option Card Port for Motor 2 Selection .....	236
Overexcitation Deceleration .....	287	PG-RT3 .....	412
Overexcitation Deceleration Gain .....	304, 507	PG-X3 .....	412
Overheat 1 (Heatsink Overheat) .....	345	Phase Order Detection Fault .....	349
Overheat Alarm Level.....	264, 504	Phase Order Selection.....	165
Overheat Pre-Alarm Operation Selection .....	266, 504	PID Accel/Decel Time .....	184
Overload Protection .....	436	PID Block Diagram.....	179
Overspeed.....	347, 357	PID Control.....	177
Overspeed Detection Delay Time .....	233	PID Feedback .....	525
Overspeed Detection Level.....	233	PID Feedback High Detection Level.....	183
Overtorque 1.....	356	PID Feedback High Detection Time .....	183
Overtorque 2.....	357	PID Feedback Input Methods .....	178
Overtorque Detection 1 .....	346	PID Feedback Loss .....	340, 354
Overtorque Detection 2 .....	347	PID Feedback Loss Detection Selection.....	182
Overtorque Detection Operation.....	293	PID Feedback Low Detection Level .....	182
Overvoltage Protection.....	436	PID Feedback Low Detection Time.....	183
<b>P</b>			
Parameter Access Level.....	147	PID Fine Tuning .....	186
Parameter Range Setting Error.....	360	PID Function Setting .....	180
Parameters Changed with Motor Code Selection (PM Motors).....	542	PID Input (feedback).....	525
Parameter Selection Error .....	362	PID Input Limit .....	184
Parameter Settings .....	114	PID Monitors .....	319
PASS .....	357	PID Offset Adjustment.....	181
Password.....	147, 154	PID Output.....	525
Password Setting.....	154	PID Output Gain Setting.....	181
Password Settings.....	147	PID Output Level Selection .....	181
Peak Hold Current .....	524	PID Output Limit .....	180
Peak Hold Output Frequency .....	524	PID Output Lower Limit.....	184
Performance Life .....	389, 3	PID Output Reverse Selection .....	181
Performance Life Monitors Maintenance Monitors.....	3	PID Output Reverse Selection 2 .....	185
Periodic Inspection .....	387	PID Primary Delay Time Constant.....	181
Periodic Maintenance .....	264	PID Setpoint .....	525
Permanent Magnet Motor Control.....	124	PID Setpoint Display Digits .....	185
PG 1 Division Rate for PG Pulse Monitor .....	234	PID Setpoint Input Methods.....	177
PG 1 Gear Teeth 1 .....	235	PID Setpoint Scaling .....	184
PG 1 Gear Teeth 2 .....	235	PID Setpoint Selection .....	184
PG 1 Pulses Per Revolution .....	233	PID Setpoint User Display .....	185
PG 1 Rotation Selection .....	234	PID Setpoint Value .....	184
PG 1 Signal Selection .....	235	PID Sleep .....	183
PG 2 Division Rate for PG Pulse Monitor .....	234	PID Sleep Delay Time .....	183
PG 2 Gear Teeth 1 .....	235	PID Sleep Function Start Level.....	183
PG 2 Gear Teeth 2 .....	235	PM Inductance Error .....	367
PG 2 Pulses Per Revolution .....	233	PM Motor Auto-Tuning Mode Selection.....	139
PG 2 Rotation Selection .....	234	PM Motor Base Frequency .....	141
PG 2 Signal Selection .....	235	PM Motor Base Speed .....	141
PG-B3 .....	412	PM Motor Code.....	230
PG Disconnect (for any control modes using a PG option card) .....	348	PM Motor Code Selection.....	140
PG Disconnect (for Control Mode with PG).....	357	PM Motor Control Tuning.....	307
PG-F3 .....	412	PM Motor d-Axis Inductance .....	141
PG-F3 Setting Error .....	363	PM Motor Induced Voltage Constant.....	142
PG Hardware Fault (detected when using a PG-X3 option card) ..	348, 358	PM Motor Parameter Settings.....	131
PG Number of Pulses Per Revolution.....	139	PM Motor q-Axis Inductance .....	141
PG Number of Pulses Per Revolution for PM Motor Tuning.....	142	PM Motor Rated Current .....	141
PGo .....	348, 357	PM Motor Rated Power.....	140
PGoH.....	348, 358	PM Motor Rated Voltage .....	140
PGoH Detection Level .....	236	PM Motor Settings .....	140
PG Open-Circuit Detection Time.....	233	PM Motor Stator Resistance .....	141
		PM Motor Type .....	140
		PM Rotational Auto-Tuning.....	131

PM Stationary Auto-Tuning.....	131	Reattaching the Front Cover .....	78
PM Stationary Auto-Tuning for Stator Resistance .....	131	Reattaching the Terminal Cover .....	73
Polarity Compensation Gain 3 .....	307	REMOTE .....	118
Polarity Compensation Gain 4 .....	308	Removing the Cooling Fan .....	393
Polarity Switch for Initial Polarity Estimation Timeout .....	232	Removing the Digital Operator .....	76
Pole Attraction Current .....	307	Removing the Front Cover .....	76
Power Consumption Output Unit Selection .....	265	Removing the Protective Cover .....	79
Power Detection Filter Time .....	189	Removing the Terminal Cover .....	73
Power Factor Control Selection .....	204	Replacement Parts .....	389
Powering Up the Drive .....	126	Replacing the Drive .....	405
Power Ratings (Three-Phase 200 V Class) .....	431, 432	Reset Communication Parameters .....	240
Power Ratings (Three-Phase 400 V Class) .....	433, 434	RESET Key .....	109
Power Supply Frequency Fault .....	340	Resistance Tuning Error .....	364
Power Supply Overvoltage .....	335	Response Messages from Drive to Master .....	569
Power Supply Undervoltage .....	335	Reverse Direction Output Example Time Chart .....	264
Power Unit Price .....	317	Reverse Operation Selection .....	163
Predefined V/f Patterns .....	220	Reverse Prohibited Error .....	367
Preparing the Ends of Shielded Cables .....	92	Reverse Regenerative Torque Limit .....	296, 504
Preset Reference Timing Diagram .....	207	Reverse Torque Limit .....	296, 504
Previous Fault .....	521	Rotational Auto-Tuning .....	130, 134
PROFIBUS-DP Clear Mode Selection .....	243	Rotational Auto-Tuning for V/f Control .....	130
PROFIBUS-DP Data Format Selection .....	243	RP .....	89
PROFIBUS-DP Node Address .....	242	RS-422 Interface .....	564
PROFIBUS-DP Parameters .....	242	RS-485 Interface .....	563
Programming Mode .....	113, 114	RTS Control Selection .....	566
Proportional Gain Setting (P) .....	180	rUn .....	358
PTC .....	272	Run Command/Frequency Reference Source Selection Error .....	361
Pull-In Current (for PM Motors) .....	309, 509	Run Command at Power Up .....	166
Pull-In Current Compensation Time Constant (for PM Motors) .....	309, 509	Run Command Method Selection .....	567
Pull-In Current Level for PM Motor Tuning .....	142	Run Command Selection 1 .....	159, 446
Pull-Out Detection .....	349	Run Command Selection 2 .....	166
Pulse Monitor Selection Error .....	363	Run command selection while in Programming Mode .....	165
Pulse Output Connection Using External Voltage Supply .....	96	Run Command Source Selection .....	525
Pulse Output Connection Using Internal Voltage Supply .....	95	RUN Key .....	109
Pulse Train Input/Output .....	256	RUN LED .....	111
Pulse Train Input Bias .....	276	RUN Light .....	109
Pulse Train Input Filter Time .....	276	Run Speed after Soft Starter at Previous Fault .....	522
Pulse Train Input Gain .....	276		
Pulse Train Input Minimum Frequency .....	276	<b>S</b>	
Pulse Train Input Scaling .....	276	S- .....	89
Pulse Train Input Terminal RP Function Selection .....	275	S/L2 .....	80
Pulse Train Monitor Scaling .....	276	S+ .....	89
Pulse Train Monitor Selection .....	276	S1 .....	88
		S2 .....	88
		S3 .....	88
<b>Q</b>		S4 .....	88
q-axis ACR Output .....	526	S5 .....	88
		S6 .....	88
<b>R</b>		S7 .....	88
R- .....	89	S8 .....	88
R/L1 .....	80	Safe Disable Circuit .....	611
R+ .....	89	Safe Disable Input Function .....	610
Rated Current Depending on Carrier Frequency .....	438	Safe Disable Inputs .....	88
Rated Current Setting Alarm .....	364	Safe Disable Monitor Output Function and Digital Operator Display .....	612
Rated Slip Error .....	366	Safety Circuit Fault .....	348
rdEr .....	370	Safety Monitor Output .....	89
READ .....	315	SC .....	88
rEAd .....	370	SCF .....	348
Reading Drive MEMOBUS/Modbus Register Contents .....	572	SE .....	358
Reading Parameter Settings .....	370	Search Operation Voltage Limit .....	189
Reattaching the Digital Operator .....	76		

Self-Diagnostics.....	254	Speed Search Wait Time.....	173
SEr.....	348	SrC.....	349
Serial Communications Cable Connection Terminals (TB5).....	562	Srr.....	349
Serial Communication Terminals.....	89	SSR1 Series IPM Motor Settings.....	543
Serial Communication Transmission Error.....	352	SST4 Series IPM Motor Settings.....	550
Serviceable Parts.....	405	Stall Prevention.....	285
Setup Group.....	117	Stall Prevention Detection Time.....	289
Setup Group Parameters.....	118	Stall Prevention Level during Acceleration/Deceleration.....	286
Setup Mode.....	114	Stall Prevention Level during Run.....	288, 500
Shielded Twisted-Pair Cables.....	92	Stall Prevention Limit during Acceleration/Deceleration.....	285
Simple Motor Setup Using V/f Control.....	121	Stall Prevention Selection during Acceleration.....	285, 500
Simplified Setup Using the Setup Group.....	114	Stall Prevention Selection during Deceleration.....	287, 500
Sinking/Sourcing Mode for Digital Inputs.....	88	Stall Prevention Selection during Run.....	288, 500
Slave Address.....	570	Standard.....	436
Slip Compensation.....	193	Standard Connection Diagram.....	66
Slip Compensation Gain.....	193	Start Condition Selection at Closed Loop Vector Control.....	166
Slip Compensation Limit.....	194	Starting Torque.....	435
Slip Compensation Primary Delay Time.....	194	Start Speed Search Select.....	173
Slip Compensation Selection during Regeneration.....	194	Start-Up Flowcharts.....	119
SMRA Series SPM Motor Settings.....	542	Station Address Setting Error.....	351
SN.....	88	Stationary Auto-Tuning.....	135
Snubber Discharge Resistor Overheat.....	348	Stationary Auto-Tuning 2.....	130
Soft Charge Bypass Relay Maintenance.....	524	Stationary Auto-Tuning 3.....	130
Soft Charge Bypass Relay Maintenance Time.....	355	Stationary Auto-Tuning for Line-to-Line Resistance.....	130
Soft CLA Selection.....	505	Stator Resistance Error.....	367
Software Current Limit Selection.....	299	STo.....	349
Software No. (Flash).....	521	STOP button Input.....	365
Software No. (ROM).....	521	STOP Key.....	109
Software version.....	34	STOP Key Function Selection.....	314, 511
SoH.....	348	Stopping Method after Communication Error.....	565
Speed/Torque Control Switchover Time.....	218	Stopping Method Selection.....	160
Speed Agree 1 Time Chart.....	258	Storage Temperature.....	50
Speed Agree 2 Time Chart.....	262	Surrounding Area.....	50
Speed Agree Detection Level.....	290, 501	SvE.....	349
Speed Agree Detection Level (+/-).....	290, 501	Swing PWM.....	203
Speed Agree Detection Selection.....	290, 502	Switching Between LOCAL and REMOTE.....	118
Speed Agree Detection Width.....	290, 501	Switching Between Torque and Speed Control.....	216
Speed Agree Detection Width (+/-).....	290, 501		
Speed Control Accuracy.....	435	<b>T</b>	
Speed Control Integral Time 1.....	357	T/L3.....	80
Speed Control Loop Auto-Tuning.....	133	Task Complete.....	369
Speed Control Proportional Gain 1.....	357	Temperature Derating.....	439
Speed Control Range.....	435	Terminal A1 Bias Setting.....	268
Speed Deviation.....	234, 337	Terminal A1 Function Selection.....	267
Speed Feedback Detection Control (AFR) Gain.....	304, 507	Terminal A1 Gain Setting.....	268
Speed Feedback Detection Control (AFR) Time Constant 1.....	304, 507	Terminal A1 Signal Level Selection.....	267
Speed Feedback Detection Control Gain (for PM Motors).....	309, 509	Terminal A2 Bias Setting.....	269
Speed Limit.....	218	Terminal A2 Function Selection.....	269
Speed Limitation.....	215	Terminal A2 Gain Setting.....	269
Speed Limit Bias.....	215, 218	Terminal A2 Signal Level Selection.....	269
Speed Limit Selection.....	217	Terminal A3 Bias Setting.....	269
Speed Response.....	435	Terminal A3 Function Selection.....	268
Speed Search Deceleration Time.....	171	Terminal A3 Gain Setting.....	269
Speed Search Delay Time.....	171	Terminal A3 Signal Level Selection.....	268
Speed Search Detection Compensation Gain.....	172	Terminal Block Configuration.....	70
Speed Search Method Selection.....	172	Terminal Board.....	46, 405
Speed Search Restart Current Level.....	172	Terminal Board Not Connected.....	337
Speed Search Restart Detection Time.....	172	Terminal Connections for Communication Self-Diagnostics.....	592
Speed Search Selection at Start.....	170	Terminal Cover.....	73
Speed Search Selection when Run Command Is Given during Uv.....	173	Terminal cover.....	38, 39, 40, 41, 42, 43, 44, 45

Terminal DM+ and DM- Output Signal Selection .....	97	Types of Auto-Tuning for Permanent Magnet Motors .....	131
Terminal M1-M2 Function Selection .....	256	<b>U</b>	
Terminal M1-M2 Output Selection .....	239	U/T1 .....	80
Terminal M3-M4 Output Selection .....	239	U1000 Models .....	31
Terminal p1 .....	80	U1-09 .....	375
Terminal P1-PC Output Selection .....	239	U2, U3 Initialization .....	317
Terminal P2-PC Output Selection .....	239	U2, U3 Initial Value Selection .....	513
Terminal P3-PC Output Selection .....	239	UL3 .....	349, 358
Terminal P4-PC Output Selection .....	239	UL4 .....	350, 358
Terminal P5-PC Output Selection .....	239	UL5 .....	350
Terminal P6-PC Output Selection .....	239	UL and CSA Standards .....	599
Terminal V1 Monitor Bias .....	238	UL Standards Compliance .....	599
Terminal V1 Monitor Gain .....	238	Undertorque Detection 1 .....	349, 358
Terminal V1 Monitor Selection .....	238	Undertorque Detection 2 .....	350, 358
Terminal V1 Signal Level .....	238	Undertorque Detection Operation .....	293
Terminal V2 Monitor Bias .....	238	Undervoltage Protection .....	436
Terminal V2 Monitor Gain .....	238	Unexpected Noise from Connected Machinery .....	379
Terminal V2 Monitor Selection .....	238	Unidirectional Speed Limit Bias .....	218
Terminal V2 Signal Level .....	238	Unit Capacity Setting Fault .....	360
Test Run .....	133, 135, 137	Unit Code .....	314
Test Run Checklist .....	149	Unit Selection for MEMOBUS/Modbus Register 0025H .....	566
Test Run with Load Connected .....	146	Up/Down 2 Operations .....	255
Tightening Torque .....	81	Up/Down Command Operation .....	250
Timer Function Off-Delay Time .....	176	Up/Down Frequency Reference Limit Selection .....	213
Timer Function On-Delay Time .....	176	Up Arrow Key .....	109
Too Many Speed Search Restarts .....	348	USB Copy Unit .....	148, 413
Top protective cover .....	42, 43, 44, 45	User Defaults .....	147
Torque Compensation at Forward Start .....	196	User Monitor Selection after Power Up .....	312, 511
Torque Compensation at Reverse Start .....	196	User Parameter Automatic Selection .....	147, 157, 445
Torque Compensation Gain .....	196	User Parameter Default Value .....	314, 512
Torque Compensation Primary Delay Time .....	196	User Parameters 1 to 32 .....	147, 157, 445
Torque Compensation Time Constant .....	197	User-Set Display Units Decimal Display .....	313
Torque Control .....	214	User-Set Display Units Maximum Value .....	313
Torque Control Block Diagram .....	214	User Set Speed Agree 1 Time Chart .....	259
Torque Control Input Value Selection .....	214	User Set Speed Agree 2 Example with a Positive L3-04 Value .....	262
Torque Control Reference Sources .....	214	Using the Pulse Train Output .....	95
Torque Control Selection .....	217	Using the Safe Disable Function .....	611
Torque Control Setting Error .....	363	Uv .....	359
Torque Control Signal Polarity .....	215	Uv1 .....	350
Torque Detection .....	261	Uv2 .....	350
Torque Detection Level 1 .....	294, 502	Uv3 .....	350
Torque Detection Level 2 .....	294, 503	<b>V</b>	
Torque Detection Selection 1 .....	293, 502	V/f Characteristics .....	435
Torque Detection Selection 2 .....	293, 503	V/f Control .....	31
Torque Detection Time 1 .....	294, 503	V/f Control Mode Tuning .....	324
Torque Detection Time 2 .....	294, 503	V/f Control Mode Tuning Parameters .....	324
Torque Limit .....	272, 435	V/f control using motor speed feedback .....	31
Torque Limit Control Method Selection during Accel/Decel .....	296, 504	V/f Control with Simple Speed Feedback .....	275
Torque Limit Integral Time Constant .....	296, 504	V/f Data Setting Error .....	362
Torque Limit Process at Start .....	504	V/f Gain during Speed Search .....	171
Torque Reference .....	519	V/f Pattern Defaults .....	534
Torque Reference/Torque Limit Selection from Comm. Option .....	240	V/f Pattern Display Unit .....	313
Torque Reference at Previous Fault .....	522	V/f Pattern for Motor 2 .....	227
Torque Reference Delay Time .....	217	V/f Pattern Selection .....	220
Torque Specifications, Three Phase 200 V Class .....	81, 599	V/T2 .....	80
Torque Specifications, Three Phase 400 V Class .....	83, 601	vAEr .....	370
Troubleshooting without Fault Display .....	3	VERIFY .....	315
Tuning Errors .....	330	Verifying Parameter Changes .....	116
Types of Alarms, Faults, and Errors .....	330		
Types of Auto-Tuning for Induction Motors .....	130		

Verify Menu.....	116
vFyE.....	370
Voltage Class, Capacity Mismatch .....	370
Voltage drop calculation formula.....	81
Voltage Error Compensation Time Constant .....	309
vrFy.....	370
<b>W</b>	
W/T3.....	80
Warranty Information .....	28
Water Supply Pump Application .....	127
Watt Hour Output Example .....	267
Watt Loss 200 V Class Three Phase Models.....	437
Watt Loss 400 V Class Three Phase Models.....	437
Wire Gauge, Three Phase 200 V Class .....	81, 599
Wire Gauge, Three Phase 400 V Class .....	83, 601
Wire Gauges.....	81
Wiring Checklist.....	104
Wiring Diagram for 2-Wire Sequence .....	254
Wiring Distance.....	203
Wiring the Control Circuit Terminal.....	91
WRITE .....	315
Writing Parameter Settings.....	369
Writing to Multiple Registers .....	573
<b>Z</b>	
Zero Servo .....	190
Zero Servo Completion Width .....	190
Zero Servo Fault .....	349
Zero Servo Gain.....	190
Zero-Speed Time Chart .....	258
Z Pulse Correction Error.....	368
Z Pulse Fault .....	337
Z Pulse Noise Fault Detection .....	337
Z Pulse Offset Tuning.....	131

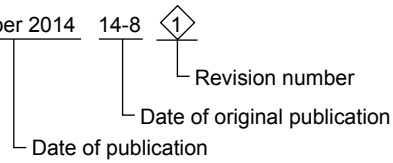
## Revision History

The revision dates and the numbers of the revised manuals appear on the bottom of the back cover.

Example:

MANUAL NO. SIEP C710636 04B

Published in Japan October 2014 14-8 1



Date of Publication	Revision Number	Section	Revised Content
January 2015	2	Front Cover	Revision: Models
		Chapter 1	Revision: Reference Motor Capacity kW (HP) values Revision: Figure 1.2
		Appendix A	Revision: Power Ratings Revision: Drive Watt Loss Data
		Appendix B	Revision: Defaults by Drive Model and Duty Rating ND/HD
		Back Cover	Revision: Address
October 2014	1	All	Upgraded the software version to PRG: 1015
		Front Cover Back Cover	Revision: Title
		Preface	Revision: Applicable Documentation
		Chapter 3	Revision: EMC filter switch for models 2E0248, 2W0248, 4EU0216, 4W0216, 4E0240, and 4W0240
		Chapter 5 Appendix B	Addition: H2-06 = 0 (0.1 kWh units)
August 2014	–	–	First Edition. This manual supports drive software version PRG: 1014.



# U1000 Industrial MATRIX Drive

## Low Harmonic Regenerative Drive for Industrial Applications

### Technical Manual

---

#### **YASKAWA AMERICA, INC.**

2121, Norman Drive South, Waukegan, IL 60085, U.S.A.  
Phone: 1-800-YASKAWA (927-5292) or 1-847-887-7000 Fax: 1-847-887-7310  
<http://www.yaskawa.com>

#### **DRIVE CENTER (INVERTER PLANT)**

2-13-1, Nishimiyaichi, Yukuhashi, Fukuoka, 824-8511, Japan  
Phone: 81-930-25-3844 Fax: 81-930-25-4369  
<http://www.yaskawa.co.jp>

#### **YASKAWA ELECTRIC CORPORATION**

New Pier Takeshiba South Tower, 1-16-1, Kaigan, Minatoku, Tokyo, 105-6891, Japan  
Phone: 81-3-5402-4502 Fax: 81-3-5402-4580  
<http://www.yaskawa.co.jp>

#### **YASKAWA ELÉTRICO DO BRASIL LTDA.**

777, Avenida Piraporinha, Diadema, São Paulo, 09950-000, Brasil  
Phone: 55-11-3585-1100 Fax: 55-11-3585-1187  
<http://www.yaskawa.com.br>

#### **YASKAWA EUROPE GmbH**

185, Hauptstraße, Eschborn, 65760, Germany  
Phone: 49-6196-569-300 Fax: 49-6196-569-398  
<http://www.yaskawa.eu.com>

#### **YASKAWA ELECTRIC KOREA CORPORATION**

9F, Kyobo Securities Bldg., 26-4, Yeouido-dong, Yeongdeungpo-gu, Seoul, 150-737, Korea  
Phone: 82-2-784-7844 Fax: 82-2-784-8495  
<http://www.yaskawa.co.kr>

#### **YASKAWA ELECTRIC (SINGAPORE) PTE. LTD.**

151, Lorong Chuan, #04-02A, New Tech Park, 556741, Singapore  
Phone: 65-6282-3003 Fax: 65-6289-3003  
<http://www.yaskawa.com.sg>

#### **YASKAWA ELECTRIC (THAILAND) CO., LTD.**

252/125-126, 27th Floor, Muang Thai-Phatra Tower B, Rachadapisek Road, Huaykwang, Bangkok, 10310, Thailand  
Phone: 66-2693-2200 Fax: 66-2693-4200  
<http://www.yaskawa.co.th>

#### **YASKAWA ELECTRIC (CHINA) CO., LTD.**

22F, One Corporate Avenue, No.222, Hubin Road, Shanghai, 200021, China  
Phone: 86-21-5385-2200 Fax: 86-21-5385-3299  
<http://www.yaskawa.com.cn>

#### **YASKAWA ELECTRIC (CHINA) CO., LTD. BEIJING OFFICE**

Room 1011, Tower W3 Oriental Plaza, No. 1, East Chang An Ave.,  
Dong Cheng District, Beijing, 100738, China  
Phone: 86-10-8518-4086 Fax: 86-10-8518-4082

#### **YASKAWA ELECTRIC TAIWAN CORPORATION**

9F, 16, Nanking E. Rd., Sec. 3, Taipei, 104, Taiwan  
Phone: 886-2-2502-5003 Fax: 886-2-2505-1280

#### **YASKAWA INDIA PRIVATE LIMITED**

#17/A, Electronics City, Hosur Road, Bangalore, 560 100 (Karnataka), India  
Phone: 91-80-4244-1900 Fax: 91-80-4244-1901  
<http://www.yaskawaindia.in>



YASKAWA ELECTRIC CORPORATION

In the event that the end user of this product is to be the military and said product is to be employed in any weapons systems or the manufacture thereof, the export will fall under the relevant regulations as stipulated in the Foreign Exchange and Foreign Trade Regulations. Therefore, be sure to follow all procedures and submit all relevant documentation according to any and all rules, regulations and laws that may apply.

Specifications are subject to change without notice for ongoing product modifications and improvements.

© 2014-2015 YASKAWA ELECTRIC CORPORATION. All rights reserved.



\*SIEPC71063604\*

MANUAL NO. SIEP C710636 04C

Published in Japan January 2015 14-8

14-10-13\_YAI

Original instructions