

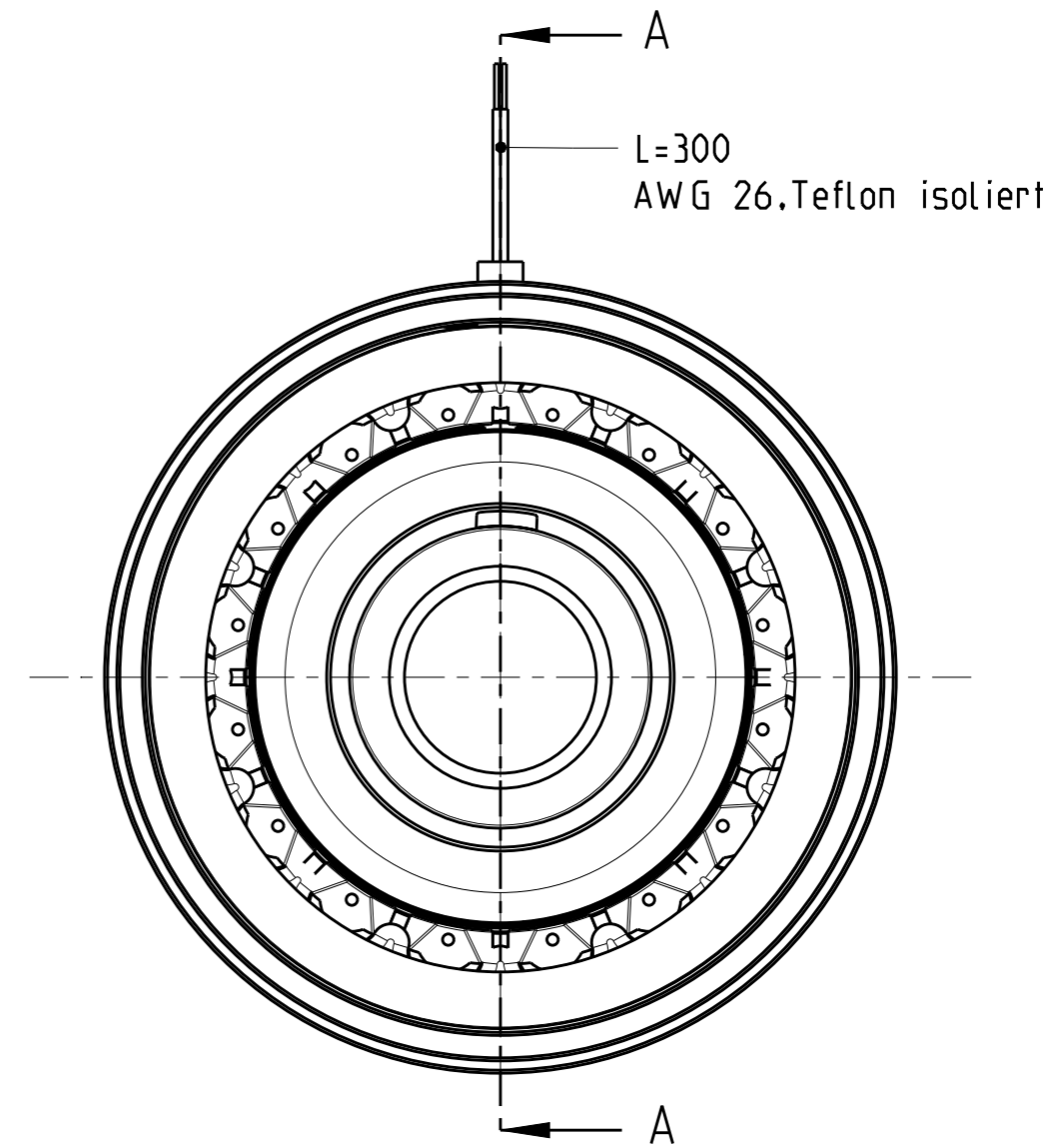
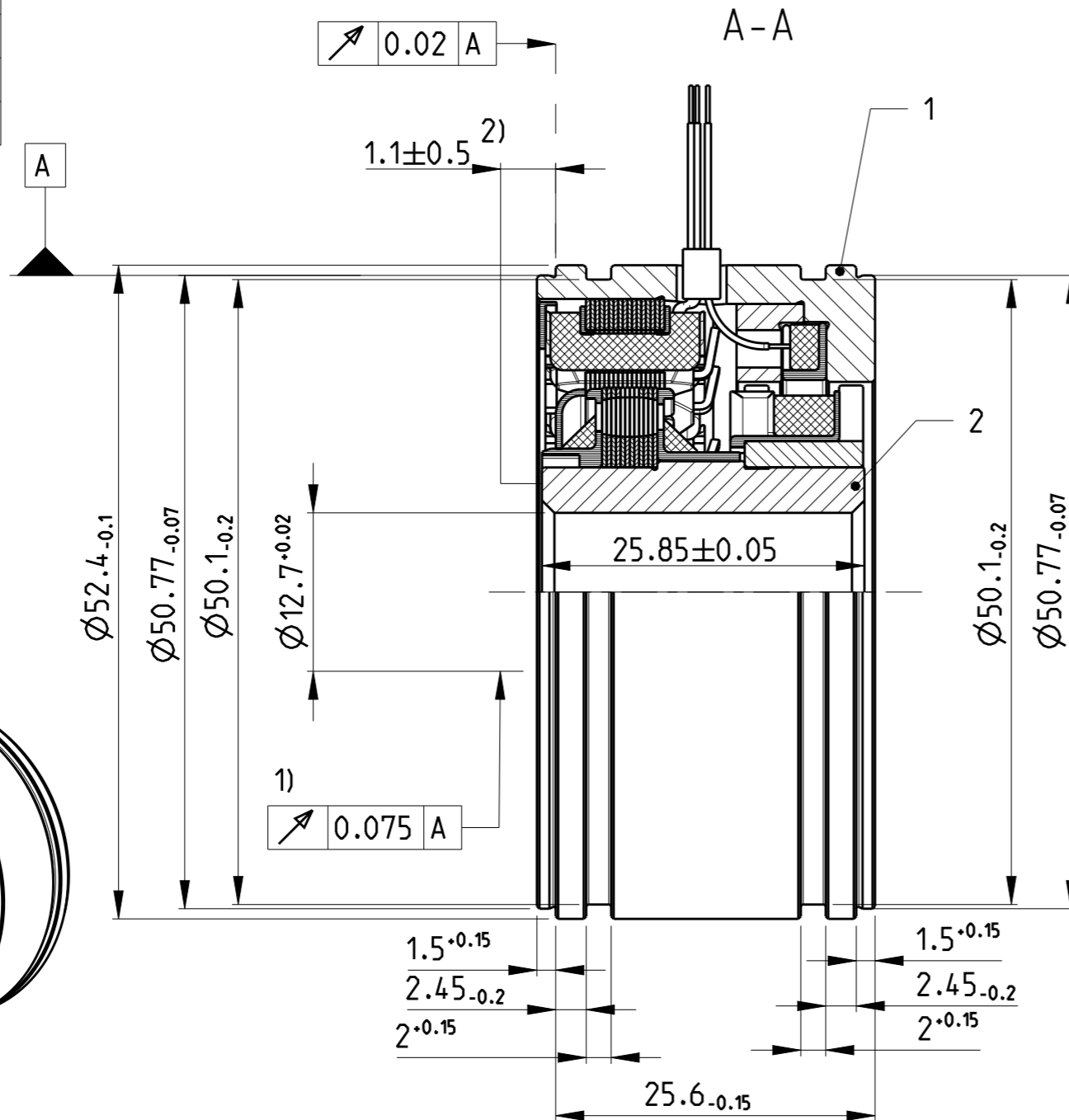
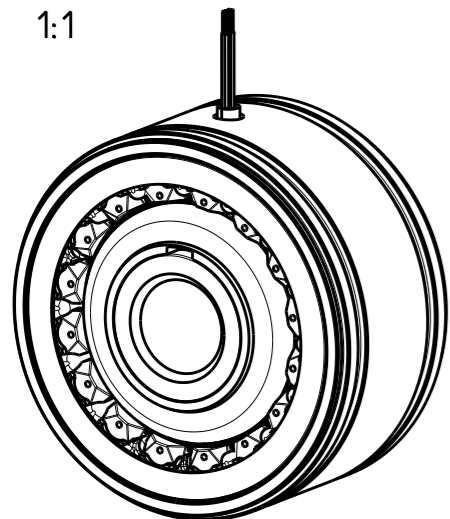
THIS DRAWING IS UNPUBLISHED. RELEASED FOR PUBLICATION 2005
 © COPYRIGHT 2005 BY - ALL RIGHTS RESERVED.

REVISIONS

P	LTR	DESCRIPTION	DATE	DWN	APVD
	B	INITIAL RELEASE	14 JAN2016	GCM	PL

Signal	Aderfarbe
S1	rot
S2	gelb
S3	schwarz
S4	blau
R1	rot-weiss
R2	gelb-weiss

1:1



- 1) Gesamtschlag im eingebauten Zustand
- 2) Axialversatz

Ersetzt / replace V23401-U1016-B110

REVISION OF EACH ASSY NO. (WHEN BLANK, USE DWG. REVISION)	PARTNUMBER	DESCRIPTION	ITEM NO
1	1-1824370-0	Rotor kpl. / Bauform U1 (12N)	2
1	1-1824219-0	Gehäuse kpl. / Bauform U1	1
1-1824456-0	PARTNUMBER	DESCRIPTION	ITEM NO
PARTS LIST			

THIS DRAWING IS A CONTROLLED DOCUMENT.

DIMENSIONS:	TOLERANCES UNLESS OTHERWISE SPECIFIED:
mm	0 PLC ±
	1 PLC ±
	2 PLC ±
	3 PLC ±
	4 PLC ±
	ANGLES ±
MATERIAL	FINISH

DWN	GANESH	14 JAN2016
CHK	-	-
APVD	L. PIOTR	14 JAN2016
PRODUCT SPEC	-	-
APPLICATION SPEC	-	-
WEIGHT	-	-
CUSTOMER DRAWING		



NAME
 Massbild Hohlwellendrehmelder
 Dimensional Drawing Resolver
 V23401-U1016-B110

SIZE	CAGE CODE	DRAWING NO	RESTRICTED TO
A3	00779	C-6-1393048-1	-
SCALE	2:1	SHEET 1 OF 1	REV B