

## Incremental



- Double-Sealed Housing
- High Resolution Unbreakable Disk
- Electrically and Thermally Isolated
- Industrial Duty Connector
- NEMA 4X, 6 / IP66 or IP67 Rated
- Rugged Cast-Aluminum Housing

**HEAVY DUTY** NorthStar™ CE

### NUMBER OF PULSES

0015 / 0032 / 0100 / 0200 / 0240 / 0250 / 0500 / 0512 / 0600 / 1000 / 1024 / 1200 / 2000 / 2048 / 2500 / 4000 / 5000

### GENERAL INFORMATION

#### EXTREME HEAVY DUTY HOLLOWSHAFT ENCODER

NorthStar's HSD38 Extreme Duty Industrial Hollowshaft Encoder accepts up to 1" (25,4 mm) diameter shafts and operates reliably from -40 to +100°C. Its Hard Anodized finish enclosure exceeds IP66/IP67 and NEMA 6 enclosure requirements.

This robust encoder features a double-sealed housing that allows application where regulatory washdown and high pressure steam or caustic chemicals are present. Utilization of an advanced Opto ASIC with innovative packaging techniques enables the encoder to operate in high shock and vibration environments.

### APPLICATIONS

The HSD38 extreme duty encoder features simple installation on motor or machine shafts. It is often mounted on the back of motors where encoder feedback is needed in harsh environment applications. It is ideal for use in environments that demand heavy washdown protection.

- Converting Machinery
- Material Handling
- Packaging Equipment
- Processing Equipment

#### Industries

Chemical, Food & Beverage, Paper, Steel and any other where a precise encoder is needed to operate in harsh environments.

### TECHNICAL DATA mechanical

Housing diameter	96.52 mm
Shaft diameter	12 mm / 15 mm / 1/2" / 5/8" / 16 mm / 3/4" / 0.875" (Hubshaft)
Flange (Mounting of housing)	Tether
Mounting of shaft	Front clamping ring
Protection class shaft input (EN 60529)	NEMA 4X or NEMA 6 IP66 or IP67
Protection class housing (EN 60529)	NEMA 4X or NEMA 6 IP66 or IP67
Bearing life	max. 5 x 10 <sup>11</sup> revs.
Starting torque typ.	< 2.8 Ncm
Vibration resistance (DIN EN 60068-2-6)	200 m/s <sup>2</sup> (5 ... 2000 Hz)

## Incremental

### TECHNICAL DATA mechanical (continued)

Shock resistance (DIN EN 60068-2-27)	500 m/s <sup>2</sup> (11 msec)
Operating temperature	-40 °C ... +100 °C
Storage temperature	-40 °C ... +100 °C
Material shaft	Aluminum
Material housing	Hard anodized Aluminum
Weight	approx. 800 g
Connection	MS, radial Cable, radial with M12 connector

### TECHNICAL DATA electrical

Supply voltage	DC 5 - 26 V
Current w/o load typ.	50 mA
Code	Incremental, optical
Max. pulse frequency	125 kHz
Phasing	Incremental signals (A leads B): A leads B by 90° for ccw shaft rotation viewing the shaft clamp end of the encoder
Pulse shape	Square wave

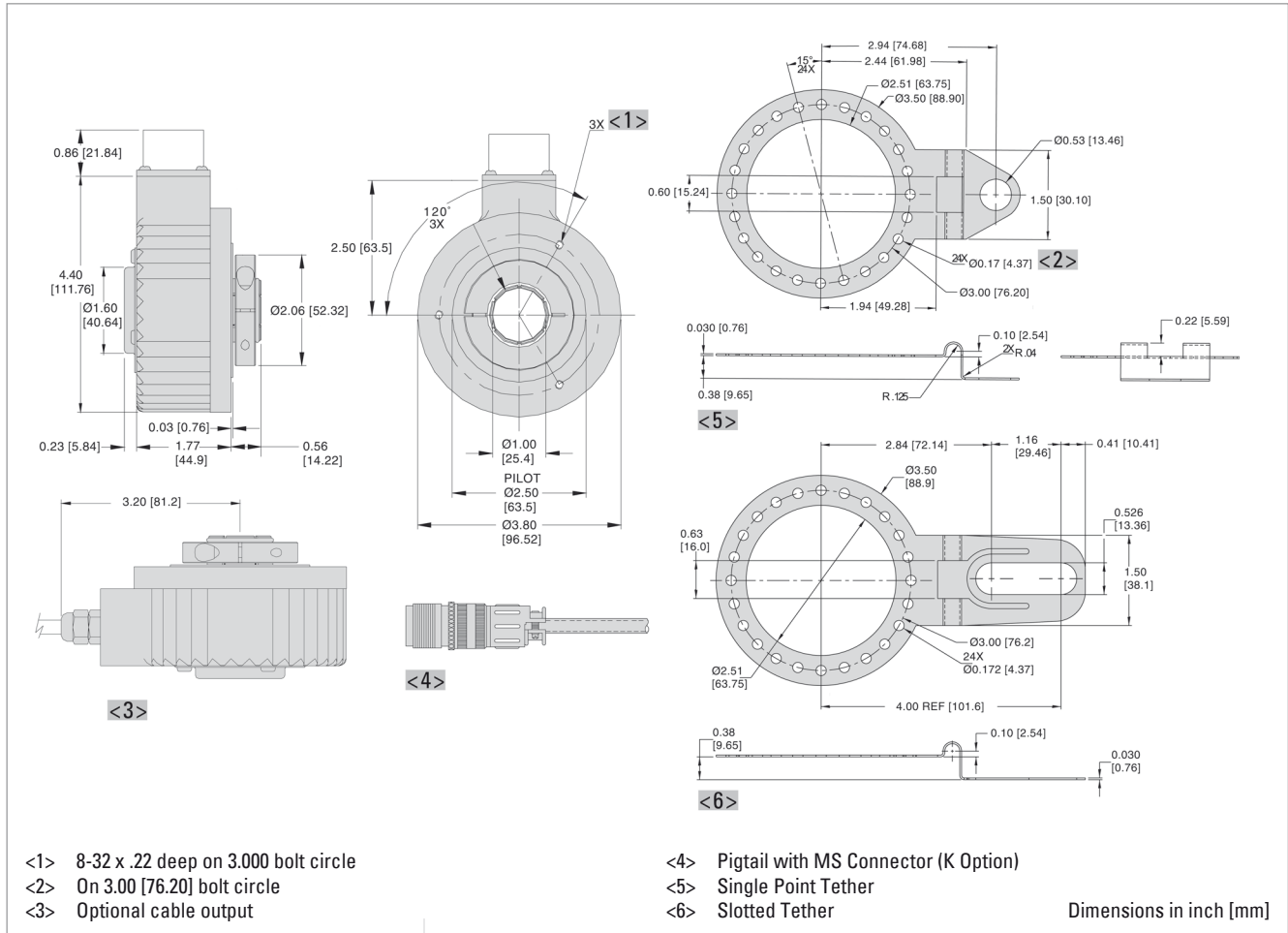
### ELECTRICAL CONNECTIONS 6, 7 & 10 Pin MS connector / Cable

Encoder Function	Cable 6 Pin Single Ended		Cable 7 Pin Single Ended		Cable 7 Pin Dif Line Drv w/o Idx		Cable 10 Pin Dif Line Drv w/ Idx		Cable Exit with Seal Wire Color
	Pin	Wire Color	Pin	Wire Color	Pin	Wire Color	Pin	Wire Color	
Sig. A	E	brown	A	brown	A	brown	A	brown	green
Sig. B	D	orange	B	orange	B	orange	B	orange	blue
Sig. Z	C	yellow	C	yellow	--	--	C	yellow	orange
Power +V	B	red	D	red	D	red	D	red	red
Com	A	black	F	black	F	black	F	black	black
Case	--	--	G	green	G	green	G	green	white
N/C	F	--	E	--	--	--	E	--	--
Sig. $\bar{A}$	--	--	--	--	C	brown/white	H	brown/white	violet
Sig. $\bar{B}$	--	--	--	--	E	orange/white	I	orange/white	brown
Sig. $\bar{Z}$	--	--	--	--	--	--	J	yellow/white	yellow

### ELECTRICAL CONNECTIONS 5 & 8 Pin M12 Accessory Cable

Encoder Function	Cable 5 Pin Single Ended		Cable 8 Pin Single Ended		Cable 8 Pin Differential	
	Pin	Wire Color	Pin	Wire Color	Pin	Wire Color
Sig. A	4	black	1	brown	1	brown
Sig. B	2	white	4	orange	4	orange
Sig. Z	5	grey	6	yellow	6	yellow
Power +V	1	brown	2	red	2	red
Com	3	blue	7	black	7	black
Sig. $\bar{A}$					3	brown/white
Sig. $\bar{B}$					5	orange/white
Sig. $\bar{Z}$					8	yellow/white

## DIMENSIONED DRAWINGS



## Incremental

### ORDERING INFORMATION

Type	Number of pulses	Shaft Ø	Output format <sup>1</sup>	Connection	Safety	Special options
<input type="checkbox"/>	<input type="checkbox"/>	<input type="checkbox"/>	<input type="checkbox"/>	<input type="checkbox"/>	<input type="checkbox"/>	<input type="checkbox"/>
<b>HSD38</b>	<b>15 ... 5000</b>	<b>6</b> 12 mm <b>7</b> 12.7 mm (1/2") <b>9</b> 15 mm <b>A</b> 16 mm <b>C</b> 3/4"	<b>22</b> bidirectional with index, 5-26 V push-pull out <b>43</b> birectional inverted with index, 5-26 V differential kine driver out (7272) <b>44</b> birectional inverted with index, 5-26 V in, 5 V differential line driver out (7272)	<b>1</b> 7 pin connector <b>2</b> 10 pin connector <b>6</b> 7 pin connector plus mating connector <b>7</b> 10 pin connector plus mating connector <b>A</b> Cable 0,5 m <b>G</b> Cable, 0.3 m <b>J</b> M12 connector, 8 pole <b>K</b> 0.5 m cable with 10 pin in-line connector	<b>0</b> Reserved for Future Options	<b>0</b> Cast Aluminum Housing, Slotted Tether <b>C</b> Cast Aluminum Housing, Single-Point Tether Included (NEMA 4.5" C-face) <b>6</b> Cast Aluminum Housing, No Tether <b>M</b> Swivel-Rod tether with metric hardware

<sup>1</sup> Output format "44" is only available with connection "2", "7", "A", "G", "J" and "K"