



OPERATING INSTRUCTIONS MANUAL

codice: 80588_10-2019 - ENG

ATTENTION!

This manual must always be available to operators of the devices described here.

Always make sure that you have the latest version of the manual, which is available for free download from the GEFRAN website (www.gefran.com).

Installers and/or maintenance personnel are required to read this manual and to precisely follow the instructions contained in it and in its attachments.

GEFRAN will not be liable for any damage to persons and/or property, or to the product itself, caused by failure to follow the instructions and observe the warnings given below.



This manual and its attachments may be freely reproduced as long as they are not changed in any way and every copy contains this warning and the declaration of ownership by Gefran S.p.A.

REVISION DOCUMENTS

DATE	CODE	UPDATE	N. pages of the document

Copyright © 2018 Gefran Soluzioni

Subject to change without notice

The information contained in this document is provided for informational purposes only. While efforts were made to verify the accuracy of the information contained in this documentation, it is provided "as is" without warranty of any kind.

Third-party brands and names are the property of their respective owners.

www.gefran.com/en/gefran-soluzioni

TABLE OF CONTENTS

1. PRODUCT OVERVIEW.....	5
2. STANDARDS AND APPROVALS	5
3. TECHNICAL SPECIFICATIONS.....	7
4. TECHNICAL DATA.....	9
4.1. Dimensions.....	10
4.2. Installation Environment and procedure	12
4.3. Safety instruction	12
5. CONNECTIONS.....	13
5.1. Ethernet Port	13
6. POWER SUPPLY, GROUNDING AND SHIELDING.....	14
7. BATTERY	15
8. SPECIAL INSTRUCTION FOR USE	17
9. GETTING STARTED	17
10. SYSTEM SETTINGS.....	18
11. UNPACKING AND PACKING INSTRUCTIONS.....	20

INTRODUCTION

The operational guidelines described below is information which relates to the device, installation, transportation, storage, assembly, use and maintenance.

This Operating Instruction describes the main features of the Gefran Soluzioni srl operator panels. The Manual refers to the following models

eView HD 101 IP67	Field-ready HMI 10.1" color TFT, PCAP touchscreen, Ethernet port PoE
eView HD 156 IP67	Field-ready HMI 15.6" color TFT, PCAP touchscreen, Ethernet port PoE
eView HD 215 IP67	Field-ready HMI 21.5" color TFT, PCAP touchscreen, Ethernet port PoE

SAFETY GUIDE

The manual contains safety standards that must be respected for the personal safety and to avoid damage.

Indications of attention are divided into three levels of severity:



DANGER: indicates a failure to observe safety rules and such failure may cause death or serious injuries.



ATTENTION: indicates a failure to observe safety rules and that deficiency may cause damage.



CAUTION: indicates a failure to observe safety rules and that deficiency may cause defects to the equipment or inconsistencies.

1. PRODUCT OVERVIEW

eView HD IP67 products are ideal for field installation in critical areas. High-resolution displays and multitouch PCAP touchscreen with a robust glass front.

Power-over-Ethernet (PoE) for maximum simplicity of connection using standard shielded CAT 5 wiring. Full IP protection with the use of dedicated connectors for the maximum flexibility of installation, from mounting arm to a simple M22 hole. The product includes environment and motion sensors to make this device a true IIoT edge device for Industry 4.0 applications.

The eView HD IP67 product family has been optimized for use as an embedded browser or as a GF designer HD device.

- Open platform for Linux applications
- Performing HTML5-compatible browser with graphic accelerator
- Runtime with OPC UA Server and Client
- Built-in sensors (temperature and acceleration)

2. STANDARDS AND APPROVALS

The products have been designed for use in an industrial environment in compliance with the 2014/53/EU Directive.

The products have been designed in compliance with:

EN 61000-6-4
EN 61000-6-2
EN 61000-6-3
EN 61000-6-1
ETSI EN 301 489-1
ETSI EN 301 489-17
ETSI EN 300 328
EN 62311 *
EN 61010-1
EN 61010-2-201

* Standard radio signal and minimum distance from the body calculated according to EN 62311

Standard radio signal	WiFi 2,4GHz
Minimum distance form the body (cm)*	2

* The WiFi antenna is positioned behind the black band above the display.

The products are in compliance with the Restrictions on Certain Hazardous Substances (RoHS) Directive 2011/65/EU

In compliance with the above regulations the products are CE marked.

Product Identification

The product may be identified by the indications in the back cover. You will have to know the type of unit you are using

for correct usage of the information contained in the guide. An example of the information reported is shown below:

product model name	eView HD101-52-00-67
year/week of production	1924
serial number	AA00013TF123456789AA
manufacturer address	Gefran Soluzioni Srl Via Sebina, 74 25050 Provaglio d'Iseo (BS)



3. TECHNICAL SPECIFICATIONS

Touchscreen technology	Projected capacitive - Multitouch	
Back-up battery	3V 7mAh Vanadium-Lithium, rechargeable, not user-replaceable, model VL1220.	
Flash	4GB (8GB for eView HD 156 IP67 and eView HD 215 IP67)	
RAM	1GB (2GB for eView HD 156 IP67 and eView HD 215 IP67)	
Hardware clock	Clock/Calendar with back-up battery	
Accuracy RTC (at 25°C)	<100ppm	
ENVIRONMENTAL CONDITIONS		
Operating temperature (surrounding air temperature)	-20 ÷ +55°C (vertical installation)	EN 60068-2-14
Storage temperature	-30 ÷ +80°C (eView HD 101 IP67) -20 ÷ +70°C (eView HD 156 IP67, eView HD 215 IP67)	EN 60068-2-1 EN 60068-2-2 EN 60068-2-14
Operating and storage humidity	5 ÷ 85 % RH not-condensing	EN 60068-2-30
Vibrations	5 ÷ 9 Hz, 7 mm 9 ÷ 150 Hz, 1 g	EN 60068-2-6
Shock	± 50 g, 11 ms, 3 pulses per axis	EN 60068-2-27
Protection class	IP67 (requires appropriate connectors and cables)	EN 60529
ELECTROMAGNETIC COMPATIBILITY (EMC)		
Radiated disturbance test	Class A	CISPR 22 CISPR 16-2-3
Electrostatic discharge immunity test	8 kV (air electrostatic discharge) 4 kV (contact electrostatic discharge)	EN 61000-4-2
Radiated, radio-frequency, electromagnetic field immunity test	80 MHz ÷ 1 GHz, 10V/m 1,4 GHz ÷ 2 GHz, 3 V/m 2 GHz ÷ 2.7 GHz, 1 V/m	EN 61000-4-3
Burst immunity test	± 2 kV dc power port ± 1 kV signal line	EN 61000-4-4
Surge immunity test	± 0,5 kV dc power port (line to earth) ± 0,5 kV dc power port (line to line) ± 1 kV signal line (line to earth)	EN 61000-4-5
Immunity to conducted disturbances induced by radiofrequency field	0.15 ÷ 80 MHz, 10V	EN 61000-4-6
Power frequency magnetic field immunity test	Enclosure, 50/60Hz, 30A/m	EN 61000-4-8

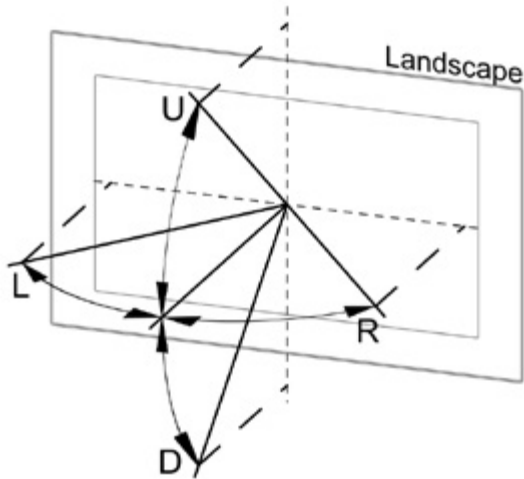
Durability information

Backlight service life (LED type) 40000 Hrs. or more
(Time of continuous operation until the brightness of the backlight reaches 50% of the rated value when the surrounding air temperature is 25°C) - see Note 1

Note 1: Extended use in environments where the surrounding air temperature is 40°C or higher may degrade backlight quality/reliability/durability.

Viewing angles

For the viewing angles values (U,D,R,L) of the display types, see the technical data of the respective device.



Legend:	Display viewing angle
U	From top
D	From bottom
L	From left
R	From right

The viewing angles are specified for the horizontal (L,R) and vertical (U,D) axes in reference to the vertical axis of the display. The specified viewing angles above always refer to the standard mounting orientation.

Surface resistance

Chemical resistance of the front glass for an exposure time of 24 hours without visible changes:

- Betadine (10% Povidone Solution)
- Cola
- Electrode Gel/Paste
- Hydrogen Peroxide (3% Solution)
- NaCl (0.9% Solution)
- Coffee
- Dextrose (5% Glucose Solution)
- Hydrogen chloride (0.5% Solution PH=1)
- Isopropyl Alcohol
- Sodium Hypochlorit
- Ethyl Alcohol (70%-90%)
- Quaternary ammonium compound

Properties multitouch PCAP touchscreen

Number of fingers	5
Glove operation	Yes
Passive stylus pens	Yes
Active stylus pens	No
Hardened front glass	Yes

Operation with gloves

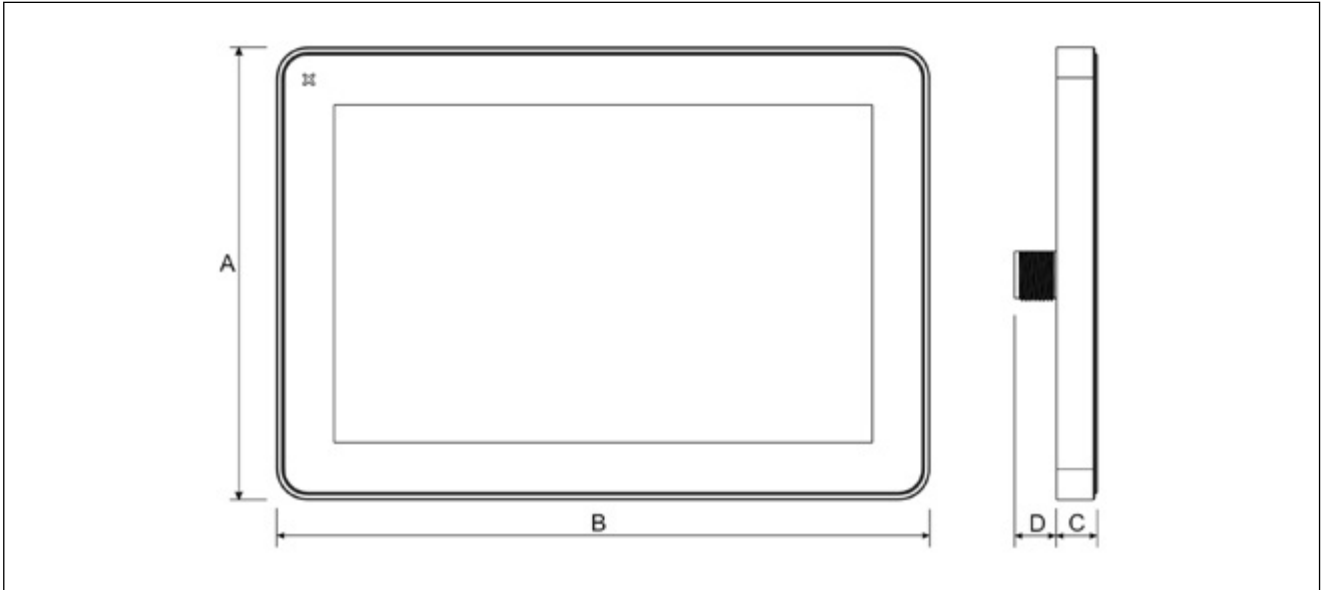
Projected capacitive touch screens (PCAP) are suitable for operation with or without gloves.

A large number of gloves (rubber gloves, light/heavy leather gloves, disposable latex gloves, etc.) are supported. Due to the variety of commercially available gloves, Gefran Soluzioni cannot guarantee all types.

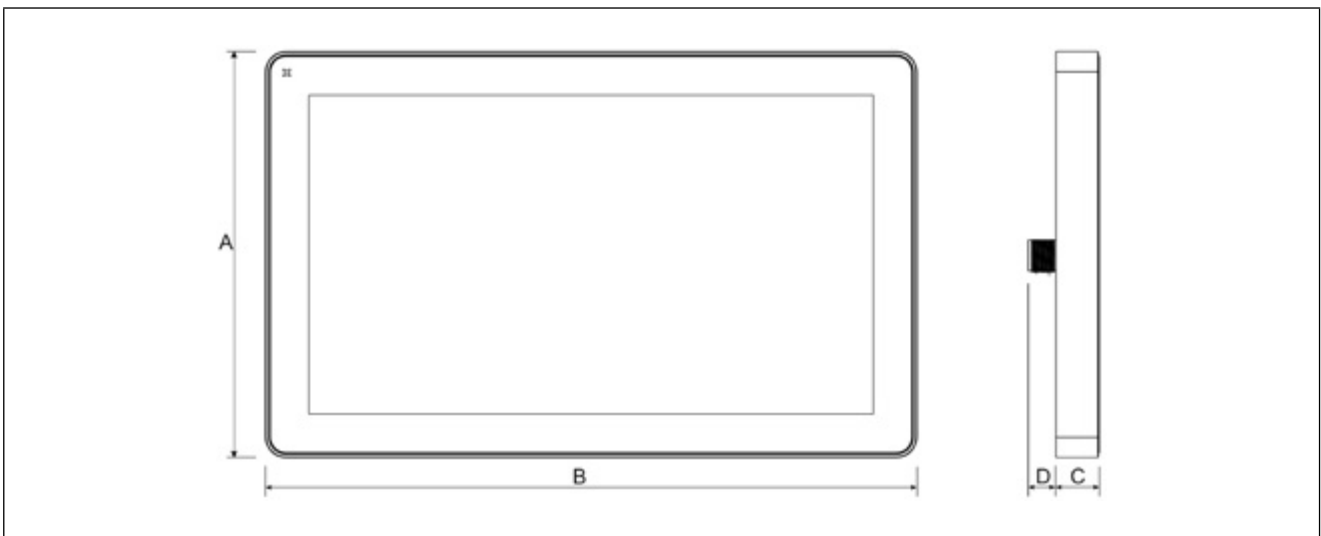
4. TECHNICAL DATA

Model	eView HD 101 IP67	eView HD 156 IP67	eView HD 215 IP67
Display / Backlight	TFT Color / LED		
Colors	16M		
Resolution	1280X800	1366X768	1920X1080
Diagonal (inches)	10.1" widescreen	15.6" widescreen	21.5" widescreen
Viewing angles horizontal	Direction L / Direction R Typ. 85°	Direction L / Direction R Typ. 80°	Direction L / Direction R Typ. 89°
Viewing angles vertical	Direction U / Direction D Typ. 85°	Direction U / Direction D Typ. 80°	Direction U / Direction D Typ. 89°
Dimming	yes to 0%	yes	
CPU	ARM Cortex-A9 dual core 800 MHz		
Operating System	Linux RT		
Flash	4GB	8GB	
RAM	1GB	2GB	2GB
Ethernet port	10/100 PoE 802.3af/at		
USB port	1 (Host v. 2.0, request special connector)		
Battery	rechargeable		
Real Time Clock	yes		
Power supply	802.3af		
Current consumption	12W	19W	32W
Weight	1.2 Kg	4.0 Kg	6.0 Kg

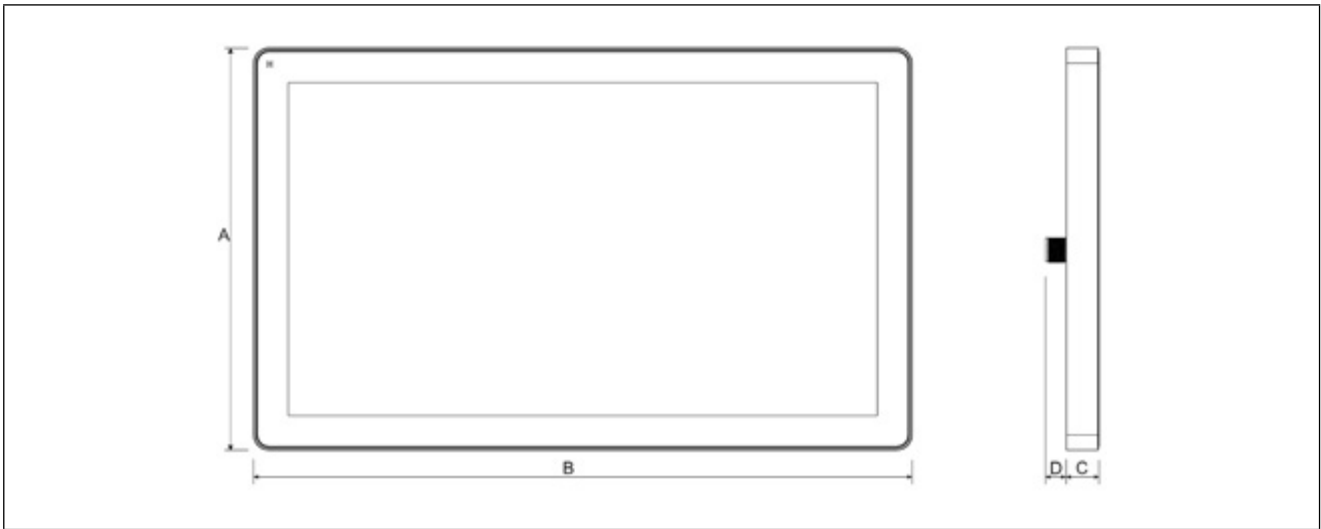
4.1. Dimensions



MODEL	A	B	C	D
eView HD 101 IP67	183.1mm/7.20"	264.5mm/10.41"	16,5mm/0.64"	17mm/0.66"

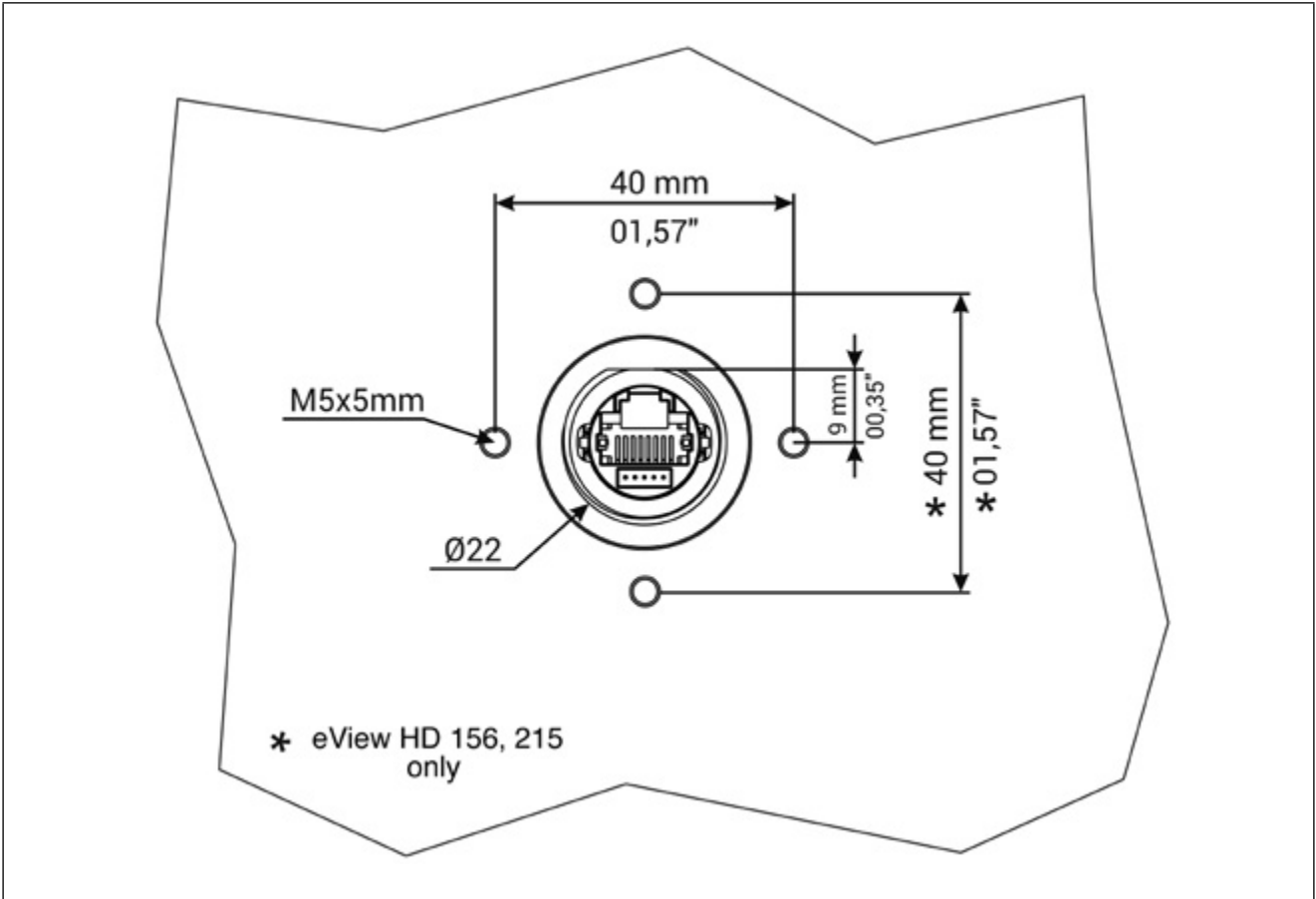


MODEL	A	B	C	D
eView HD 156 IP67	248mm/9.76"	398.6mm/15.69"	26,5mm/1.04"	17mm/0.66"



MODEL	A	B	C	D
eView HD 215 IP67	325.6mm/12.81"	534.1mm/21.02"	26,5mm/1.04"	17mm/0.66"

Rear view



4.2. Installation Environment and procedure

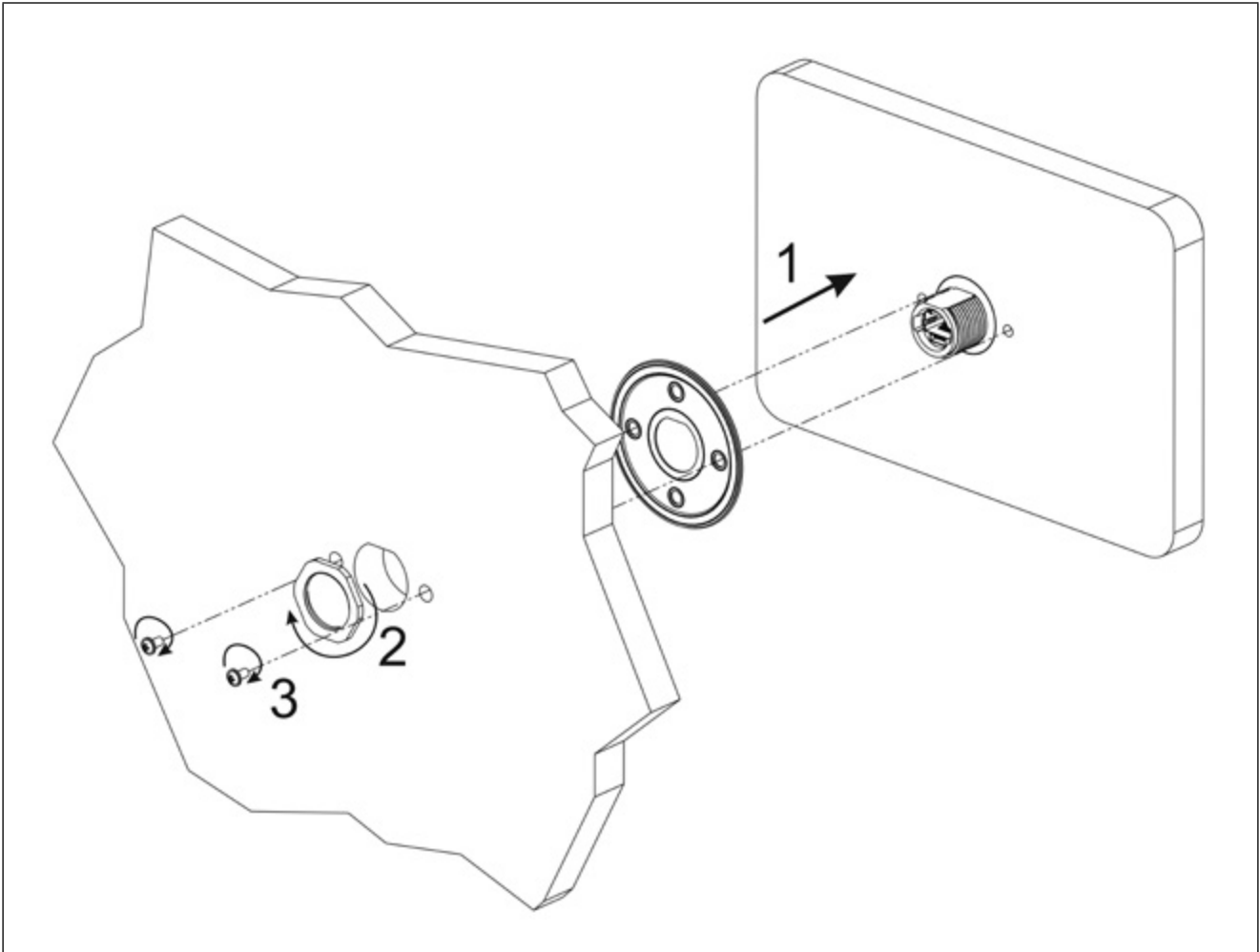
Avoid prolonged exposition to direct sunlight to avoid the risk of overheating the device.

The equipment is not intended for installation in contact with corrosive chemical compounds. Check the resistance of the front panel to a specific compound before installation.

Do not use tools of any kind (screwdrivers, etc.) to operate the touch screen of the panel.

The IP67 is guaranteed only if:

- max deviation from the plane surface to the cut-out: 0.5mm
- thickness of the case where is mounted the equipment: from 1,5mm to 6mm
- max surface roughness where the gasket is applied: 0.120 um



CAUTION

Tightening torque: 1000Ncm for nut, 130Ncm for screws

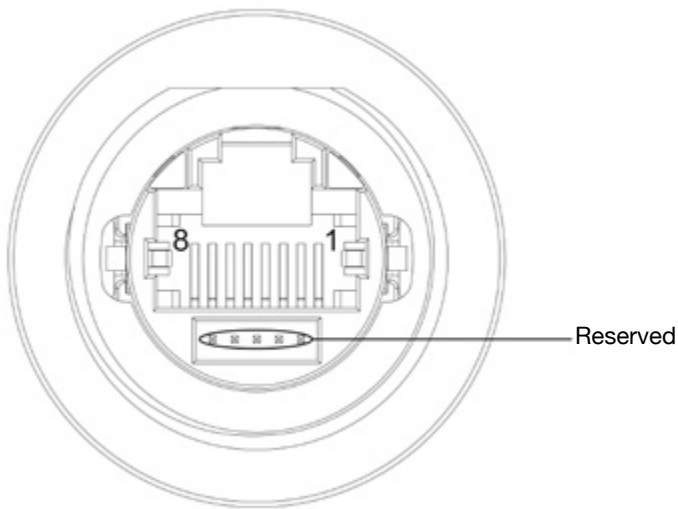
4.3. Safety instruction



For all installation notes, please refer to the Installation Guide provided with the product.

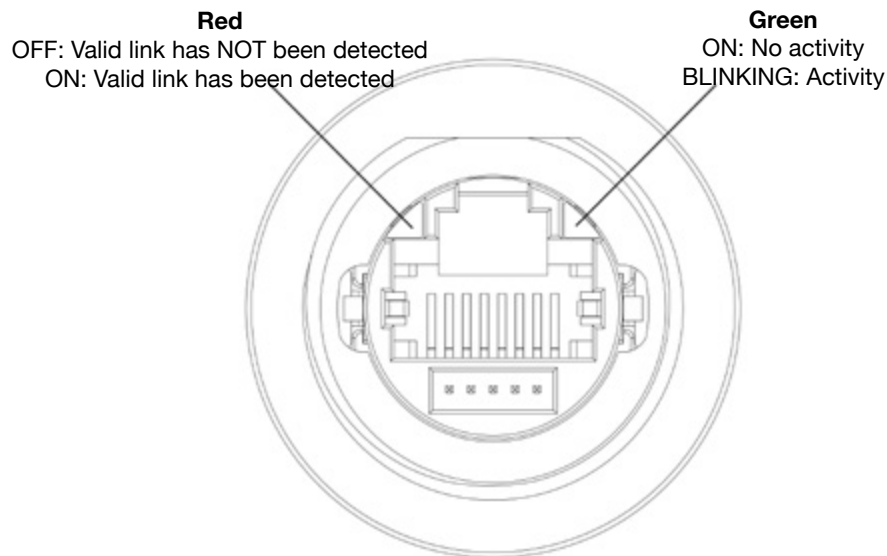
5. CONNECTIONS

5.1. Ethernet Port



Pin	Description
1	TX+
2	TX-
3	RX+
4	n/c
5	n/c
6	RX-
7	n/c
8	n/c

The Ethernet port have two status indicators. Please see description in figure.



6. POWER SUPPLY, GROUNDING AND SHIELDING

The power supply terminal block is shown in the figure below.

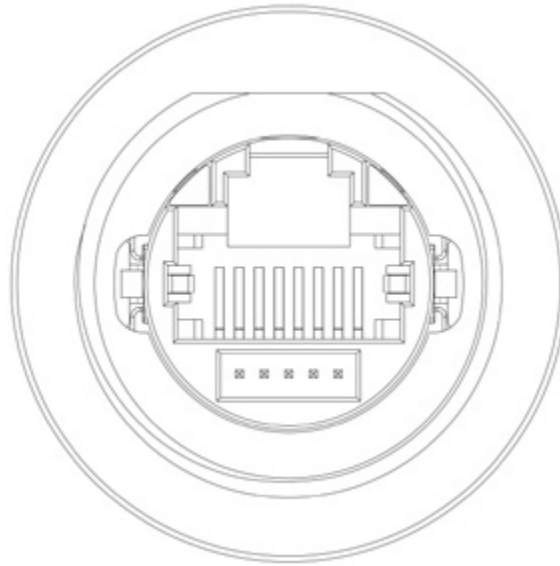


Fig. 6.1

Use a shielded CAT 5 cable or higher

Note: Ensure that the power supply has enough power capacity for the operation of the equipment.

The unit must always be grounded to earth with shielded CAT 5 cable. Grounding helps limit the effects of noise due to electromagnetic interference on the control system.

The earth connection can also be made using the screws located near the connector. A label helps identify the ground connection.

All the electronic devices in the control system must be properly grounded. Grounding must be performed according to applicable regulations.

7. BATTERY

These devices are equipped with rechargeable Lithium battery, not user-replaceable.


The following information is maintained by the battery:

- hardware real-time clock (date and time)

Charge:

At first installation must be charged for 48 hours.

When the battery is fully charged, it ensures a period of 3 months of date and time back-up at 25°C.

 Battery

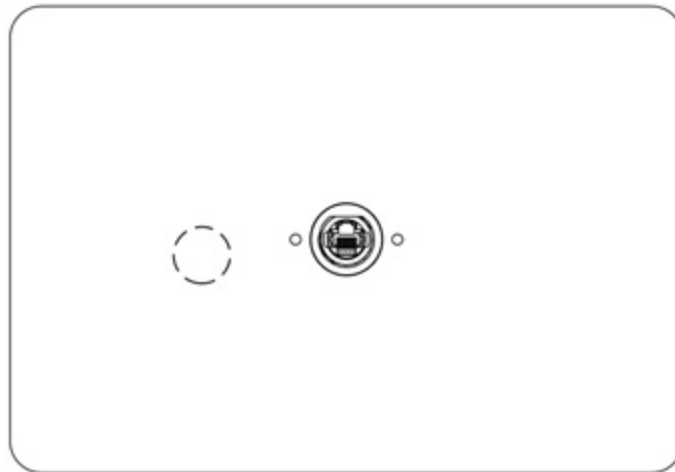


Fig. 7.3: eView HD 101 IP67

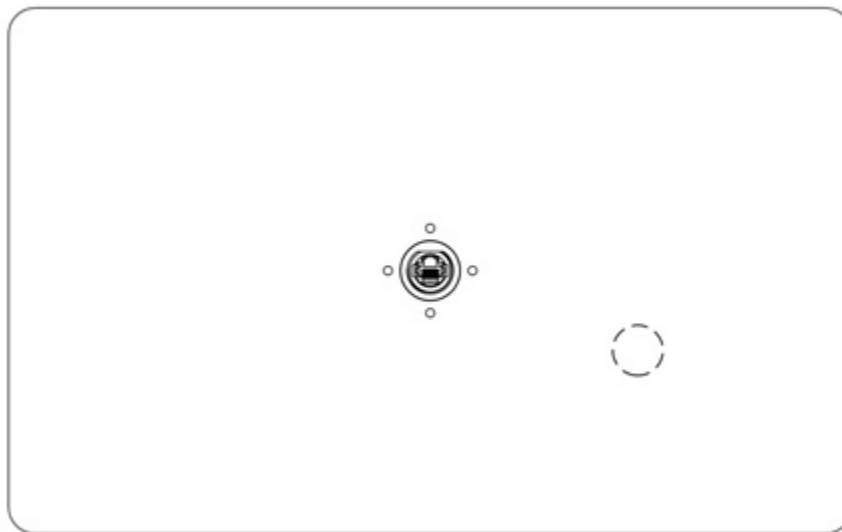


Fig. 7.4: eView HeView HD 156 IP67

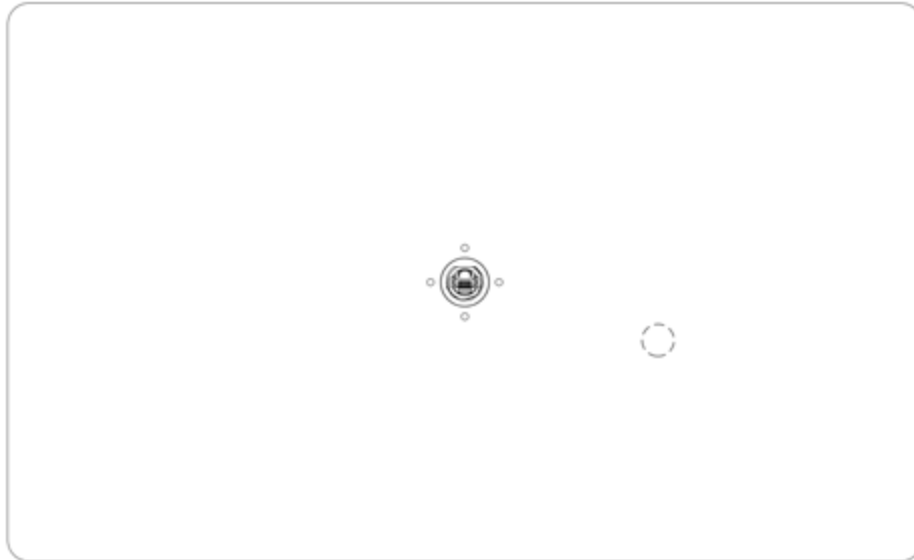


Fig. 7.5: eView HD 215 IP67



ATTENTION

Dispose of batteries according to local regulations.



ATTENTION

This device cannot be disposed of as a domestic waste but according to WEEE European Directive 2012/19/EU



8. SPECIAL INSTRUCTION FOR USE

- The equipment shall only be used in an area of not more than pollution degree 2, as defined in IEC/EN 60664-1.
- The equipment shall be installed in an enclosure that provides a degree of protection not less than IP 54 in accordance with IEC/EN 60079-15.
- Transient protection shall be provided that is set at a level not exceeding 140 % of the peak rated voltage value at the supply terminals to the equipment.
- Install the HMI device according to the accompanying installation instructions.
- Ground the HMI device according to the accompanying installation instructions.
- Only qualified personnel may install the HMI device or repair it.
- Care shall be taken not to allow layers of dust to form on the graphic panel in a way that might cause the accumulation of static charges. Keep the faceplate of the HMI device clean: the equipment must be cleaned only with a soft cloth and neutral soap product. Do not use solvents.
- This device should not be used for purposes and methods other than indicated in this document and in the documentation accompanying the product.

9. GETTING STARTED

eView HD IP67 HMI products delivery configuration is based on a loader. Use the services of the loader to install applications on the device such as GF Designer HD runtime or browsers.

GF Designer HD or higher is required. GF Designer HD is a software tool that must be properly installed on a computer running Microsoft Windows.

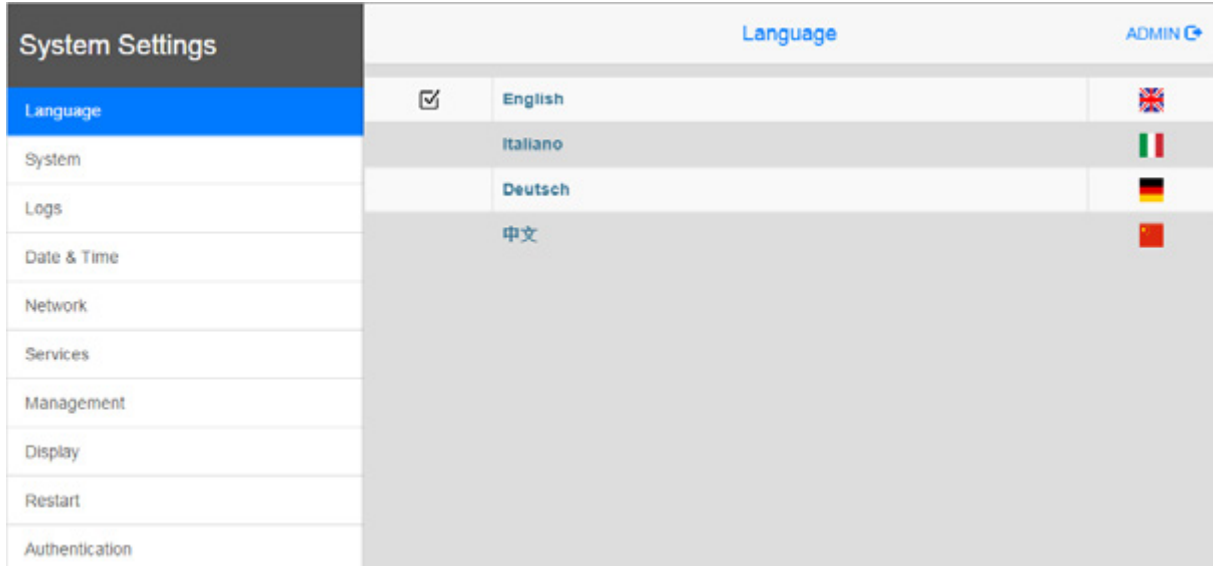
There are two options to transfer a GF Designer HD application project to a HMI device:

- Ethernet** Connect the HMI device to the computer with an Ethernet network. In GF Designer HD select the command Run/Download to target. You may have to ensure that the proper firewall policy has been configured in the computer to allow GF Designer HD to access the network.
- USB** Create an Update Package using GF Designer HD and copy it to a USB Flash drive (to transfer via USB, use the dedicated accessory cable).

10. SYSTEM SETTINGS

eView HD IP67 HMI products have a system settings interface to allow configuration of system options. The user interface of System Settings is based on HTML pages accessible from the HMI screen or remotely using a Web browser Chrome v44 or higher using port 443. To connect

enter the address https://IP/machine_config where IP is the IP address of the HMI device. Default username is “admin”, default password is “admin”. Use navigation menu on the left side of the screen to browse through the available options.



The active item of menu is highlighted on the left side of the screen. The right side shows related information and settings. Depending on the size of the HMI screen, both menu and content of selected item may be shown on screen at the same time or not.

System Settings has two modes of operation:

User Mode GF Designer HD runtime is running or the HMI device is in “factory default” status.
System Mode GF Designer HD runtime is not running or the HMI device has a software failure. System Mode includes all options available in User Mode and additionally includes commands dedicated to system upgrade and recovery not available when running in User Mode.

Activation of System Settings in **User Mode**:

Factory default status Press “System Setting” button on the HMI screen
GF Designer HD runtime running Recall context menu and select “System Settings”. To recall the context menu click and hold any unused area of the touchscreen for a few seconds. Default hold time is 2 seconds.

Activation of Systems Settings in **System Mode**:

Normal operation If GF Designer HD runtime is not running: Press “System Setting” button on the device screen to recall System Settings in User Mode. Select “Restart” -> “Config OS” to reboot in System Mode.
 If GF Designer HD runtime is running: recall context menu and select “System Settings”.

To recall the context menu click and hold any unused area of the touchscreen for a few seconds. Default hold time is 2 seconds to enter in System Settings in User Mode. Select “Restart” -> “Config OS” to reboot in System Mode.

Recovery operation

If device is not responsive, use the so-called “tap-tap” procedure. This procedure consists in tapping the surface of the touchscreen during the device power-up phase. Tapping frequency must be high. You have to start tapping the touchscreen as soon as power has been applied to the device. When the sequence has been recognized, the system shows the message: “TAP-TAP DETECTED”. At this point release touch to boot in User Mode or press and hold few seconds (selecting so “RESTART: CONFIG OS”) to boot in System Mode.

System Settings includes options for basic settings of the device:

Language System Configure language used for System Setting menu only.
 Show information about platform, status and timers (like System on time, backlight on time).

Logs Date & Time Enable persistent log for BSP and allows exporting it.
 Change the device date and time, including time zone and NTP Server

Network	Configure IP Address of Ethernet interface and the other network settings like DNS, Gateway, DHCP, Hostname, routing and bridging.
Services	Enable/disable services. Examples of services are: OpenSSH server, Bridge, Cloud, Router, SNMP and logging.
Management	Update of BSP components (Main OS, Config OS, Boot loader, XLoader), check for partitions consistence, update of splash screen, information about usage and size of partitions. The update of Main OS is available only in System Mode, the update of Config OS is only in User Mode.
Display	Adjust display brightness, configure automatic backlight turnoff and select HMI orientation (90°, 180°, 270° and 360°).
Restart	Restart the device. "Main OS" option restarts the device in User Mode, "Config OS" option restarts the device in System Mode showing System Settings.
Authentication	Configure password for administrator ("admin") and for the standard user ("user"). Administrator has full access to System Settings (updates of BSP and other system components). Standard user has some limitations.

Note: Additional informations on System Settings are available in dedicated manual.

11. UNPACKING AND PACKING INSTRUCTIONS

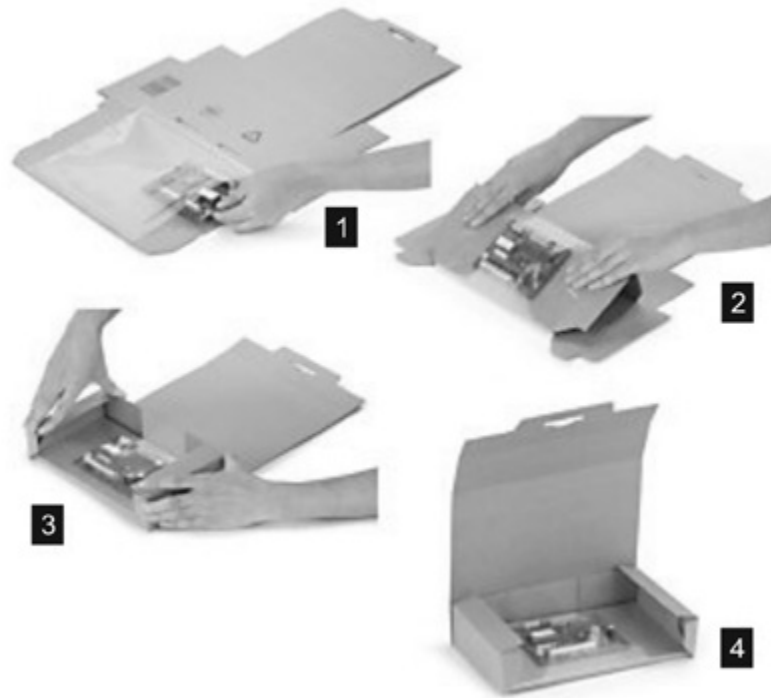


Fig. 11.1: eView HD 101 IP67

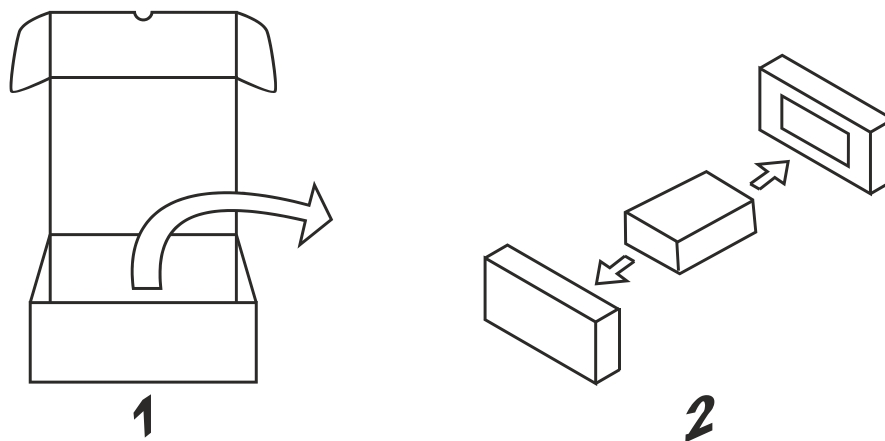


Fig. 11.2: eView HD 156 IP67, eView HD 215 IP67

To repack the unit, please follow the instructions backwards.

NOTE

NOTE

GEFRAN

Gefran Soluzioni srl
Via Sebina 74 - 25050 Provaglio d'Iseo (BS) Italy
Tel. +39 0309888.1 - Fax +39 0309839063 - info@gefran.com
<http://www.gefran.com>
www.gefran.com/en/gefran-soluzioni