

BECKHOFF

Digital Servo Amplifier AX2040/2070



Assembly, Installation, Setup

Keep all product manuals as a product component during the life span of the servo amplifier.

Pass all product manuals to future users / owners of the servo amplifier.

Edition 06/2007

Previous versions :

Edition	Remarks
09/05	First edition
02/06	Chapter 1 updated, motor choke added, DeviceNet, SynqNet and EtherCat expansion cards added, chapter 6 restructured, feedback section updated, cross section (awg)
06/07	Part number scheme new, shock-hazard protection new, servo system graphics / different mains supply networks expanded&removed, feedback expanded, enc. emulation, switch-on and switch-off behavior expanded, AS expanded, accessories removed, DC Bus link expanded, timing diagramm motor brake, disposal acc. to WEEE-2002/96/EG, new structure, SynqNet removed, Quickstart integrated, warnings updated

WINDOWS is a registered trademark of Microsoft Corp.

HIPERFACE is a registered trademark of Max Stegmann GmbH

EnDat is a registered trademark of Dr. Johannes Heidenhain GmbH

Technical changes which improve the performance of the equipment may be made without prior notice !

Printed in the Federal Republic of Germany

All rights reserved. No part of this work may be reproduced in any form (by printing, photocopying, microfilm or any other method) or stored, processed, copied or distributed by electronic means without the written permission of BECKHOFF.

	Page
1 General	
1.1 About this manual	7
1.2 Hints for the online edition (PDF format)	7
1.3 Symbols used	7
1.4 Abbreviations used	8
2 Safety	
2.1 Safety Instructions	9
2.2 Use as directed	10
3 Standards	
3.1 European directives and standards	11
3.2 American Directives and Standards	11
3.3 Asian Directives and Standards	11
3.4 Approvals	12
3.4.1 CE - conformance	12
3.4.2 UL and cUL- Conformance	12
4 Handling	
4.1 Transport	13
4.2 Packaging	13
4.3 Storage	13
4.4 Maintenance	13
4.5 Disposal	13
5 Package	
5.1 Package supplied	14
5.2 Nameplate	14
5.3 Part number scheme	15
6 Technical description	
6.1 The digital servo amplifiers of the series AX2040/2070	16
6.2 Technical data	18
6.2.1 Recommended torques	19
6.2.2 Fusing	19
6.2.3 Ambient conditions, ventilation, mounting position	19
6.2.4 Conductor cross-sections	20
6.3 LED display	20
6.4 Grounding system	20
6.5 Control for motor holding brake	21
6.6 Regen circuit	22
6.7 Switch-on and switch-off behavior	23
6.7.1 Behavior in standard operation	24
6.7.2 Behavior in the event of an error (with standard setting)	25
6.8 Stop/Emergency Stop Function to EN 60204	26
6.8.1 Stop: Standards	26
6.8.2 Emergency Stop: Standards	27
6.8.3 Implementation of the Stop Category 0	28
6.8.4 Implementation of the Stop Category 1	29
6.8.5 Implementation of the Stop Category 2	30
6.9 Shock-hazard protection	31
6.9.1 Leakage current	31
6.9.2 Residual-current circuit breakers (FI)	31
6.9.3 Isolating transformers	32

7	Mechanical Installation	
7.1	Important notes	33
7.2	Guide to mechanical installation	33
7.3	Assembly	34
7.4	Dimensions	35
8	Electrical Installation	
8.1	Important Notes	37
8.2	Guide to electrical installation	38
8.3	Wiring	39
8.3.1	Important notes	39
8.3.2	Shielding connection to the front panel	40
8.3.3	Technical data for cables	41
8.4	Components of a servo system	42
8.5	Block diagram	43
8.6	Pin assignments	44
8.7	Connection diagram (overview)	45
8.8	Power supply	46
8.8.1	Connection to various mains supply networks	46
8.8.2	Mains supply connection (X0)	47
8.8.3	24V auxiliary supply (X4)	47
8.8.4	DC bus link (X0)	47
8.9	Motor connection with brake (X0, X4)	48
8.10	External regen resistor (X0)	48
8.11	Feedback	49
8.11.1	Resolver (X2)	50
8.11.2	Sine encoder with BISS (X1)	51
8.11.3	Sine Encoder with EnDat 2.1 or HIPERFACE (X1)	52
8.11.4	Sine Encoder without data channel (X1)	53
8.11.5	Incremental or sine encoder with hall sensors (X1)	54
8.11.6	Incremental Encoder (X5)	55
8.12	Electronic Gearing, Master-slave operation	56
8.12.1	Connection to a AX20 master, 5 V signal level (X5)	57
8.12.2	Connection to incremental encoder master with 24 V signal level (X3)	57
8.12.3	Connection to a sine-cosine encoder master (X1)	58
8.12.4	Connection to a SSI encoder (X5)	59
8.12.5	Connection to stepper-motor controllers (step and direction)	59
8.12.5.1	Step/Direction with 5 V signal level (X5)	60
8.12.5.2	Step/Direction with 24 V signal level (X3)	60
8.13	Encoder emulations	61
8.13.1	Incremental encoder output - A quad B (X5)	61
8.13.2	SSI output (X5)	62
8.14	Digital and analog inputs and outputs	63
8.14.1	Analog inputs (X3)	63
8.14.2	Analog outputs (X3)	64
8.14.3	Digital inputs (X3)	65
8.14.4	Digital outputs (X3)	66
8.15	RS232 interface, PC connection (X6)	67
8.16	CANopen interface (X6)	68
8.17	Restart lock -AS-	69
8.17.1	Safety instructions	69
8.17.2	Use as directed	70
8.17.3	Block diagram	70
8.17.4	Functional description	71
8.17.5	Signal diagram (sequence)	71
8.17.6	Functional test	72
8.17.7	Connection diagram (principle)	72
8.17.8	Application example category 1 according to EN 954-1	73
8.17.8.1	Control circuit	73
8.17.8.2	Mains supply circuit	73
8.17.9	Application example category 3 according to EN 954-1	74

	Page
9 Setup	
9.1 Important notes	75
9.2 Setup software	76
9.2.1 General	76
9.2.1.1 Use as directed	76
9.2.1.2 Software description	76
9.2.1.3 Hardware requirements	77
9.2.1.4 Operating systems	77
9.2.2 Installation under WINDOWS 95 / 98 / 2000 / ME / NT / XP	77
9.3 Quickstart Guide	78
9.3.1 Preparation	78
9.3.1.1 Unpacking, Mounting and Wiring the Servo Amplifier	78
9.3.1.2 Documents	78
9.3.1.3 Minimum Wiring for Drive Test	79
9.3.2 Connect	80
9.3.3 Important Screen Elements	81
9.3.4 Basic Setup	82
9.3.5 Motor (synchronous)	83
9.3.6 Feedback	84
9.3.7 Save Parameters and Restart	85
9.3.8 Jogging the Motor (Speed Control)	86
9.3.9 Status	87
9.3.10 Monitor	87
9.3.11 Additional Setup Parameters	87
9.4 Multi-axis system	88
9.4.1 Node address for CAN-bus	88
9.4.2 Baud rate for CAN-bus	88
9.4.3 Example of connections for a multi-axis system	89
9.5 Key operation / LED display	90
9.5.1 Key operation	90
9.5.2 Status display	90
9.5.3 Standard menu structure	91
9.5.4 Extended menu structure	91
9.6 Error messages	92
9.7 Warning messages	93
9.8 Removing faults / warnings	94

10	Expansion Cards	
10.1	Guide to installation of expansion cards	95
10.2	Expansion card -I/O-14/08-	96
10.2.1	Front view	96
10.2.2	Technical data	96
10.2.3	Light emitting diodes (LEDs)	96
10.2.4	Select motion task number (sample)	96
10.2.5	Connector assignments	97
10.2.6	Connection diagram	98
10.3	Expansion cards -PROFIBUS-	99
10.3.1	Front view	99
10.3.2	Connection technology	99
10.3.3	Connection diagram	99
10.4	Expansion card -SERCOS-	100
10.4.1	Front view	100
10.4.2	Light emitting diodes (LEDs)	100
10.4.3	Connection technology	100
10.4.4	Connection diagram	101
10.4.5	Modifying the station address	101
10.4.6	Modifying the baud rate and optical power	101
10.5	Expansion card -DEVICENET-	102
10.5.1	Front view	102
10.5.2	Connection technology	102
10.5.3	Connection diagram	102
10.5.4	Combined module/network status-LED	103
10.5.5	Setting the station address (device address)	103
10.5.6	Setting the transmission speed	103
10.5.7	Bus cable	104
10.6	Expansion card -ETHERCAT-	105
10.6.1	Front view	105
10.6.2	LEDs	105
10.6.3	Connection diagram	105
10.7	Expansion module -2CAN-	106
10.7.1	Installation	106
10.7.2	Front View	106
10.7.3	Connection technology	106
10.7.4	Connector assignments	107
10.7.5	Connection diagram	107
11	Appendix	
11.1	Glossary	109
11.2	Index	111

1 General

1.1 About this manual

This manual describes the digital servo amplifiers of the AX2040/2070 series (standard version).

A more detailed description of the expansion cards which are currently available and the digital connection to automation systems can be found on the accompanying CD-ROM in Acrobat-Reader format (system requirements: WINDOWS with Internet browser, Acrobat Reader) in several language versions.

You can print this documentation on any standard printer. A printed copy of the documentation is available from us at extra cost.



This manual makes the following demands on qualified personnel :

Transport : only by personnel with knowledge in handling electrostatically sensitive components.

Unpacking: only by electrically qualified personnel.

Installation : only by electrically qualified personnel

Setup : only by personnel with extensive knowledge of electrical engineering / drive technology

1.2 Hints for the online edition (PDF format)

Bookmark:

Table of contents and index are active bookmarks.




Table of contents and index in the text:

The lines are active cross references. Click on the desired line and the appropriate page is indicated.

Page/chapter numbers in the text:

Page/chapter numbers with cross references are active. Click at the page/chapter number to reach the indicated target.

1.3 Symbols used

 DANGER !	Danger to personnel from electricity and its effects	 WARNING !	Danger to machinery, general warning		Important notes
⇒ p.	see page	●	special emphasis		

1.4 Abbreviations used

The abbreviations used in this manual are explained in the table below.

Abbreviation	Meaning
AGND	Analog ground
AS	Restart Lock, option
BTB/RTO	Ready to operate
CAN	Fieldbus (CANopen)
CE	Communauté Européenne (EC)
CLK	Clock signal
COM	Serial interface for a PC-AT
DGND	Digital ground
DIN	German Institute for industrial Standards
Disk	Magnetic storage (diskette, hard disk)
EEPROM	Electrically erasable programmable memory
EMC	Electromagnetic compatibility
EMI	Electromagnetic interference
EN	European standard
ESD	Electrostatic discharge
F-SMA	Fiber Optic Cable connector according to IEC 60874-2
IEC	International Electrotechnical Commission
IGBT	Insulated Gate Bipolar Transistor
INC	Incremental Interface
ISO	International Standardization Organization
LED	Light-emitting diode
MB	Megabyte
NI	Zero pulse
NSTOP	Limit-switch input for CCW rotation (left)
PELV	Protected low voltage
PGND	Ground for the interface
PSTOP	Limit-switch input for CW rotation (right)
PWM	Pulse-width modulation
RAM	Volatile memory
$R_{\text{regen}} (R_B)$	Regen resistor
R_{Bext}	External regen resistor
R_{Bint}	Internal regen resistor
RES	Resolver
ROD 426 (EEO)	A quad B encoder
PLC	Programmable logic controller
SRAM	Static RAM
SSI	Synchronous serial interface
UL	Underwriters Laboratory
VAC	AC voltage
VDC	DC voltage
VDE	Verein deutscher Elektrotechniker
XGND	Ground for the 24V supply

2 Safety

2.1 Safety Instructions



- Only properly qualified personnel are permitted to perform activities such as transport, installation, setup and maintenance. Properly qualified persons are those who are familiar with the transport, assembly, installation, setup and operation of the product, and who have the appropriate qualifications for their job. The qualified personnel must know and observe:

IEC 60364 or DIN VDE 0100

IEC 60664 or DIN VDE 0110

national accident prevention regulations or BGV A3

- Read this documentation before carrying out installation and setup. Incorrect handling of the servo amplifier can lead to personal injury or material damage. It is vital that you keep to the technical data and information on connection requirements (on the nameplate and in the documentation).
- The servo amplifiers contain electrostatically sensitive components which may be damaged by incorrect handling. Ground yourself before touching the servo amplifier by touching any unpainted metal surface. Avoid contact with highly insulating materials (artificial fabrics, plastic film etc.). Place the servo amplifier on a conductive surface.



- The manufacturer of the machine must produce a hazard analysis for the machine and take appropriate measures to ensure that unforeseen movements do not result in personal injury or material damage.
- Do not open or touch the equipment during operation. Keep all covers and cabinet doors closed during operation. Touching the equipment is allowed during installation and commissioning for properly qualified persons only. Otherwise, there are deadly hazards, with the possibility of death, severe injury or material damage.
 - During operation, servo amplifiers may have uncovered live components, depending on their level of enclosure protection.
 - Control and power connections may be live, even though the motor is not rotating.
 - Servo amplifiers may have hot surfaces during operation. Surface can reach temperatures above 80°C.
- Never undo any electrical connections to the servo amplifier while it is live. There is a danger of electrical arcing with damage to contacts and personal injury. Wait at least five minutes after disconnecting the servo amplifier from the main supply power before touching potentially live sections of the equipment (e.g. contacts) or undoing any connections. Capacitors can still have dangerous voltages present up to five minutes after switching off the supply power. To be sure, measure the voltage in the DC Bus link and wait until it has fallen below 40V.

2.2

Use as directed

- The servo amplifiers are components which are built into electrical equipment or machines, and can only be used as integral components of such equipment.
- The manufacturer of the machine must generate a hazard analysis for the machine, and take appropriate measures to ensure that unforeseen movements cannot cause injury or damage to any person or property.
- The AX2040/2070 family of servo amplifiers can be connected directly to symmetrically earthed(grounded) three-phase industrial mains supply networks [TN-system, TT-system with earthed(grounded) neutral point, not more than 5000rms symmetrical amperes, 480VAC maximum] when protected by fuses type Fusetron FRS-R-50 for AX20 640 or FRS-R-80 class RK5 for AX20 670, manufactured by Bussman, or equivalent, 480VAC min.

**The use of external mains chokes and mains filters is required.**

- The servo amplifiers must not be operated directly on power supply networks >230V without an earth (ground) or with an asymmetrical earth (ground).
Connection to other mains supply networks ⇒ p. 46.
- Periodic overvoltages between outer conductor (L1, L2, L3) and housing of the servo amplifier may not exceed 1000V (peak value).
Transient overvoltages (< 50µs) between the outer conductors may not exceed 1000V.
Transient overvoltages (< 50µs) between outer conductors and housing may not exceed 2000V.
- The regen resistors have to be protected by fuses type Limitron KLM, rated for 500VAC/DC
- The AX2040/2070 family of servo amplifiers is **only** intended to drive specific brushless synchronous servomotors with closed-loop control of torque, speed and/or position. The rated voltage of the motors must be at least as high as the DC bus link voltage of the servo amplifier. The motor must have integral thermal protection.
- The servo amplifiers **may only** be operated in a closed switchgear cabinet, taking into account the ambient conditions defined on page 19 and the dimensions shown on page 34. Ventilation or cooling may be necessary to prevent enclosure ambient from exceeding 45°C (113°F).
- Use copper wire only. Wire size may be determined from EN 60204 (or table 310-16 of the NEC 60°C or 75°C column for AWG size).
- We only guarantee the conformance of the servo amplifiers with the standards for industrial areas (page 11), if the components are delivered by BECKHOFF.
- Consider the specifications on page 70 when you use the personnel safe restart lock -AS-.

3 Standards

3.1 European directives and standards

Servo amplifiers are components that are intended to be incorporated into electrical plant and machines for industrial use. When the servo amplifiers are built into machines or plant, the amplifier must not be used until it has been established that the machine or equipment fulfills the requirements of the EC Machinery Directive (98/37/EC), the EC EMC Directive (89/336/EEC) and the EC Low Voltage Directive (73/23/EEC.)

Standards to be applied for conformance with the EC Machinery Directive (98/37/EEC):
EN 60204-1 (Safety and Electrical Equipment in Machines)
EN 12100 (Safety of Machines)



The manufacturer of the machine must generate a hazard analysis for the machine, and take appropriate measures to ensure that unforeseen movements cannot cause injury or damage to any person or property.

Standards to be applied for conformance with the EC Low Voltage Directive (73/23/EEC):
EN 60204-1 (Safety and Electrical Equipment in Machines)
EN 50178 (Electronic Equipment in Power Installations)
EN 60439-1 (Low Voltage Switchgear Combinations)

Standards to be applied for conformance with the EC EMC Directive (89/336/EEC):
EN 61000-6-1 / EN 61000-6-2 (Interference Immunity in Residential & Industrial Areas)
EN 61000-6-3 / EN 61000-6-4 (Interference Generation in Residential & Industrial Areas)

The manufacturer of the machine/plant is responsible for ensuring that it meets the limits required by the EMC regulations. Advice on the correct installation for EMC (such as shielding, grounding, treatment of connectors and cable layout) can be found in this documentation.



The machine/plant manufacturer must check whether other standards or EC Directives must be applied to the machine/plant.

3.2 American Directives and Standards

Chapter in process

3.3 Asian Directives and Standards

Chapter in process

3.4 Approvals

3.4.1 CE - conformance

Conformance with the EC EMC Directive (89/336/EEC) and the Low Voltage Directive (73/23/EEC) is mandatory for the supply of servo amplifiers within the European Community. Product standard EN 61800-3 is applied to ensure conformance with the EMC Directive. The Declaration of Conformity form can be found on our website (download area).

Concerning noise immunity the servo amplifier meets the requirements to the 2nd environmental category (industrial environment). For noise emission the amplifier meets the requirement to a product of the category C2 (motor cable $\leq 25\text{m}$).



This product can cause high-frequency interferences in non industrial environments which can require measures for interference suppression.

With a motor cable length from 25m onwards, the servo amplifier meets the requirement to the category C3.

The servo amplifiers have been tested in a defined configuration, using the system components that are described in this documentation. Any divergence from the configuration and installation described in this documentation means that you will be responsible for carrying out new measurements to ensure conformance with regulatory requirements. The standard EN 50178 is applied to ensure conformance with the Low Voltage Directive.

3.4.2 UL and cUL- Conformance

This servo amplifier is listed under UL file number **E195162**.

UL (cUL)-certified servo amplifiers (Underwriters Laboratories Inc.) fulfill the relevant U.S. and Canadian standard (in this case UL 840 and UL 508C).

This standard describes the fulfillment by design of minimum requirements for electrically operated power conversion equipment, such as frequency converters and servo amplifiers, which is intended to eliminate the risk of fire, electric shock, or injury to persons, being caused by such equipment.

The technical conformance with the U.S. and Canadian standard is determined by an independent UL (cUL) inspector through the type testing and regular check-ups.

Apart from the notes on installation and safety in the documentation, the customer does not have to observe any other points in direct connection with the UL (cUL)-certification of the equipment.

UL 508C

UL 508C describes the fulfillment by design of minimum requirements for electrically operated power conversion equipment, such as frequency converters and servo amplifiers, which is intended to eliminate the risk of fire being caused by such equipment.

UL 840

UL 840 describes the fulfillment by design of air and insulation creepage spacings for electrical equipment and printed circuit boards.

4 Handling

4.1 Transport



- Only by qualified personnel in the manufacturer's original recyclable packaging
- Avoid shocks
- Temperature -25 to +70°C (-13...158°F), max. 20K/hr rate of change
- Humidity max. 95% relative humidity, no condensation
- **The servo amplifiers contain electrostatically sensitive components which can be damaged by incorrect handling. Discharge yourself before touching the servo amplifier. Avoid contact with highly insulating materials (artificial fabrics, plastic films etc.). Place the servo amplifier on a conductive surface.**
- If the packaging is damaged, check the unit for visible damage. In this case, inform the shipper and the manufacturer.

4.2 Packaging

- Cardboard box, can be recycled
- Dimensions: (HxWxD) 410x470x490 mm
- **Weight incl. accessories approx. ca. 25 Kg**
- Labeling : nameplate outside at the box

4.3 Storage

- Storage only in the manufacturer's original recyclable packaging
- Max. stacking height 3 cartons
- Storage temperature -25 to +55°C, max. rate of change 20°C / hour
- Storage humidity 5 ... 95% relative humidity, no condensation
- Storage duration Less than 1 year without restriction.
More than 1 year: capacitors must be **re-formed** before setting up and operating the servo amplifier. To do this, remove all electrical connections and apply single-phase 230V AC for about 30 minutes to the terminals L1 / L2.

4.4 Maintenance

The instruments do not require any maintenance, opening the instruments invalidates the warranty.



- Cleaning :**
- if the casing is dirty: clean with Isopropanol or similar
do not immerse or spray
 - if there is dirt inside the unit it must be cleaned by the manufacturer
 - dirty protective grill on fan must be cleaned with a dry brush

4.5 Disposal

In accordance to the WEEE-2002/96/EG-Guidelines we take old devices and accessories back for professional disposal, if the transport costs are taken over by the sender. Send the devices to:

Beckhoff Automation GmbH
Eiserstr. 5
D-33415 Verl

5 Package

5.1 Package supplied

When you order a AX2040/2070 series amplifier, you will receive:

- AX2040/2070
- mating connectors X3, X4



The mating SubD connectors are not part of the package!

- Online documentation on CD-ROM
- Setup software DRIVE.EXE on CD-ROM



Accessories: (must be ordered separately)

- Mains filter 3EF **required**
- Mains choke 3L **required**
- AC Servomotor (linear or rotary)
- motor cable as a cut-off length
- brake cable as a cut-off length
- feedback cable (pre-assembled) or both feedback connectors separately, with feedback cable as length
- external regen resistor BAS, usually **required**
- communications cable to the PC (⇒ p.67) or Y-adapter (⇒ p.88) for parameter setting of up to 6 servo amplifiers from one PC
- power cable, control cables, fieldbus cables (as lengths)

5.2 Nameplate

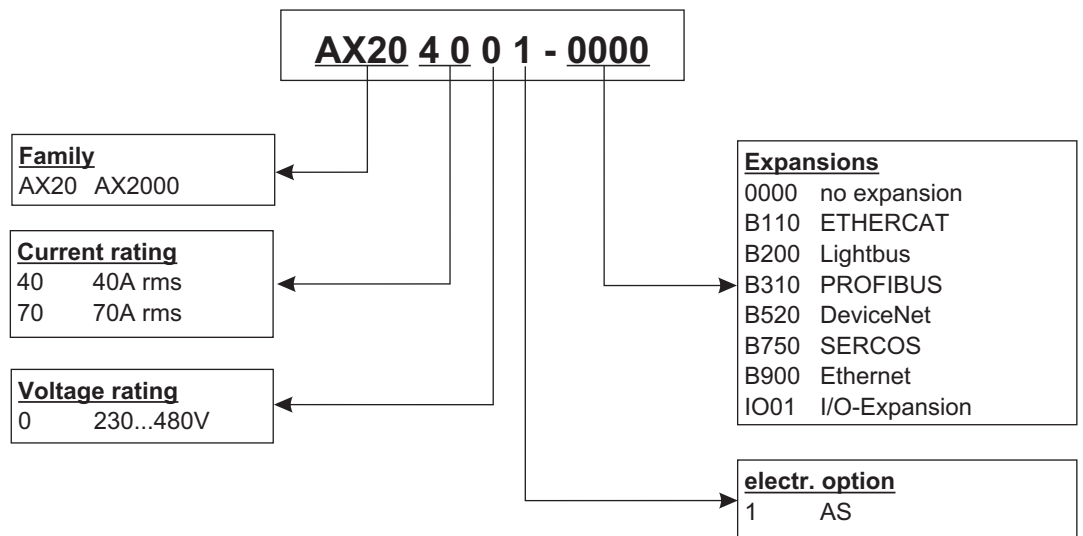
The nameplate depicted below is attached to the side of the servo amplifier. The information described below is printed in the individual fields.

Servo amplifier type	Serial number	Expansions, options	Enclosure Rating
----------------------	---------------	---------------------	------------------

BECKHOFF		Eiserstr. 5 Tel.: +49-(0)5246/963-0 D-33415 Verl Fax: +49-(0)5246/963-149		E195162 c UL US LISTED IND. CONT. EQ. 1VD4		CE	
Typenbezeichnung	Model Number	Ser. Nr	Ser. No.	Bemerkung	Comment		
Spannungsversorgung	Power Supply	Nennstrom	Nom. Current	Schutzart	Encl. Rating		
Umgebungstemp. Ambient temp.		 008102106842		 5.76			

max. ambient temperature	Electrical supply Installed load	Output current in S1 operation
--------------------------	----------------------------------	--------------------------------

5.3 Part number scheme



6 Technical description

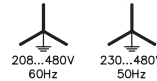
6.1 The digital servo amplifiers of the series AX2040/2070

Standard version

- 2 current ratings (40 A, 70 A)
- wide range of rated voltage (3x208V -10% to 3x480V $+10\%$)
- shield connection directly at the servo amplifier
- integrated CANopen (default 500 kBaud), for integration into CANbus systems and for setting parameters for several amplifiers via the PC-interface of one amplifier
- integrated RS232, electrically isolated, integrated pulse-direction interface
- -AS- built-in safety relay (personnel-safety starting lock-out), (⇒ p.69)
- Slot for an expansion card
- Synchronous servomotors, linear motors and asynchronous motors can be used

Power supply

- With external mains filter and mains choke directly off grounded 3~ system,
 230V -10% ... 480V $+10\%$, 50 Hz,
 208V -10% ... 480V $+10\%$, 60 Hz,



TN-system, TT-system with earthed (grounded) neutral point, not more than 5000 rms symmetrical amperes, 480VAC maximum; when protected by fuses type Fusetron FRS-R-80 (Class RK5), manufactured by Bussman, or equivalent 480VAC min
 Connection to other mains supply networks only with insulating transformer ⇒ p. 46

- BB6 rectifier bridge, off 3-phase earthed (grounded) supply, integral inrush circuit
- Fusing (e.g. fusible cutout) provided by the user
- All shielding connections directly on the amplifier
- Output stage: IGBT- module with isolated current measurement
- Regen circuit: with dynamic distribution of the regen power between several amplifiers on the same DC bus link circuit, external regen resistor
- DC bus link voltage 260 ... 900 VDC, can be switched in parallel
- Interference suppression filter for the 24V aux. supply (to category C2) is integrated

External interference suppression filter for the supply input (to category C2) required. External mains choke required.



Integrated safety

- Safe electrical separation to EN 50178 between the power input / motor connections and the signal electronics, provided by appropriate insulation/creepage distances and complete electrical isolation
- Soft-start, overvoltage recognition, short-circuit protection, phase-failure monitoring
- Temperature monitoring of servo amplifier and motor (when using our motors with our pre-assembled cables)

Auxiliary supply voltage 24VDC

- Electrically isolated, internal fusing, from an external 24VDC psu, e.g. with isolating transformer

Operation and parameter setting

- With our user-friendly software for setup through the serial interface of a PC
- Direct operation by means of two keys on the servo amplifier and a 3-character LED display for status display in case of no PC available
- Fully programmable via RS232 interface

Completely digital control

- Digital current controller (space vector pulse-width modulation, 62.5 μ s)
- Freely programmable digital speed controller (62.5 μ s or 250 μ s)
- Integral position controller with adaptation possibilities for customer needs (250 μ s)
- Pulse direction interface integrated for connection of a servomotor to a stepping motor control
- Evaluation of the resolver signals and sine-cosine signals of a high-resolution encoder
- Encoder simulation (incremental or SSI)

Comfort functions

- 2 analog monitor outputs
- 4 programmable digital inputs (normally, two are defined as limit-switch inputs)
- 2 programmable digital outputs
- Freely programmable combinations of all digital signals

Expansions

- -I/O-14/08- expansion card, \Rightarrow p. 96
- PROFIBUS DP expansion card, \Rightarrow p. 99
- SERCOS expansion card, \Rightarrow p. 100
- DeviceNet expansion card, \Rightarrow p. 102
- EtherCat expansion card, \Rightarrow p. 105
- -2CAN- Expansion module, separated connectors for CAN bus and RS232, \Rightarrow p. 106

6.2

Technical data

Rated data	DIM	AX2040	AX2070
Rated-supply voltage (grounded system)	V~	3 x 230V-10% ... 480V+10%, 50 Hz	
	V~	3 x 208V-10% ... 480V+10%, 60 Hz	
Rated installed load for S1 operation	kVA	30	50
Rated DC bus link voltage	V=	290...675	
Rated output current (rms value, ± 3%)			
at 230V	Arms	40	85
at 400V	Arms	40	80
at 480V	Arms	40	70
Peak output current (max. ca. 5s, ± 3%)			
at 230V		80	160
at 400V		80	160
at 480V		80	140
Clock frequency of the output stage	kHz	8	
Technical data of the regen circuit	—	⇒ p.22	
Overvoltage protection threshold	V	450...900	
Form factor of the output current (at rated data and min. load inductance)	—	1.01	
Bandwidth of subordinate current controller	kHz	> 1.2	
Residual voltage drop at rated current	V	5	
Quiescent dissipation, output stage disabled	W	40	
Dissipation at rated current (incl. power supply losses, without regen dissipation)	W	400	700
Inputs/Outputs			
Setpoint 1/2, resolution 14bit/12bit Common-mode voltage max. Input resistance to AGND	V	±10	
	V	±10	
	kΩ	20	
Digital inputs	V	low 0...7 / high 12...36	
	mA	7	
Digital outputs, open collector	V	max. 30	
	mA	10	
BTB/RTO output, relay contacts	V	DC max. 30, AC max. 42	
	mA	500	
Aux. power supply, electrically isolated without brake	V	24 (-0% +15%)	
	A	2 (max. 16)	
Aux. power supply, electrically isolated with brake (consider voltage loss!)	V	24 (-0% +15%)	
	A	5 (max. 16)	
Min/max. output current, brake	A	0.75 / 3	
Connections			
Control signals	—	Combicon 5,08 / 18 pole , 2,5mm ²	
Power signals	—	Terminals 10mm ² — 50mm ²	
Resolver input	—	SubD 9pole (socket)	
Sine-cosine encoder input	—	SubD 15pole (socket)	
PC-interface, CAN	—	SubD 9pole (plug)	
Encoder simulation, ROD (EEO) / SSI	—	SubD 9pole (plug)	
Thermal control, Motor	—	min. 15VDC, 5mA	
Mechanical			
Weight	kg	19.5	21
Height without shield sheet, w/o eyes (w. eyes)	mm	345 (375)	
Height with shield sheet, w/o eyes (w. eyes)	mm	484 (495)	
Width	mm	250	
Depth without connectors	mm	300	
Depth with connectors	mm	325	

6.2.1 Recommended torques

Connector	Recommended torque
X3, X4	0.3 Nm (2.25 in lb)
X10	0,3 Nm (2.25 in lb)
X0	6...8 Nm (45... 60 in lb)

6.2.2 Fusing

Internal fusing

Circuit	Internal fuse
Auxiliary supply 24V	4 AT
Regen resistor	electronic

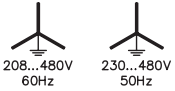
External fusing

Fusible cutouts or similar (Fuse UL time delay)	AX2040	AX2070
AC supply $F_{N1/2/3}$ Type of branch circuit fuses: Class RK5, 480V min	50 AT (FRx-50) *	80 AT (FRx-80) *
Regen resistor $F_{B1/2}$	KLM 20	KLM 30

* (x = S or S-R for 480V applications x = N or N-R for 230V applications ⇒ p. 10)

Note: The AX2040/2070 drives are suitable for use on a circuit capable of delivering not more than 5000rms symmetrical amperes, 480VAC max.

6.2.3 Ambient conditions, ventilation, mounting position

Storage, hints	⇒ p.13
Transport, hints	⇒ p.13
Supply voltage tolerances Input power (⇒ p.46) 	min 3x230V _{-10%} AC / max 3x 480V ^{+10%} , 50 Hz min 3x208V _{-10%} AC / max 3x 480V ^{+10%} , 60 Hz
Aux. power supply	24 VDC (-0% +15%), check voltage drop
Ambient temperature in operation	0 to +45°C (32 to 113 °F) at rated data +45 to +55°C (113 to 131 °F) with power derating 2.5% / K
Humidity in operation	rel. humidity 85%, no condensation
Site altitude	up to 1000m a.m.s.l. without restriction 1000...2500m a.m.s.l. with power derating 1.5%/100m
Pollution level	Pollution level 2 to EN60204/EN50178
Vibrations	Class 3111 according to IEC 721-3-3
Noise emission	max. 45 dB(A)
Enclosure protection	IP 20
Mounting position	generally vertical. ⇒ p.34
Ventilation	forced convection by built-in fans
Make sure that there is sufficient forced ventilation within the switchgear cabinet.	



6.2.4 Conductor cross-sections

Observe the technical data for connection cables ⇒ p. 41.
 Following EN 60204 (for AWG: table 310-16 of the NEC 60°C or 75°C column), we recommend for **single-axis systems**:

AC connection	25 mm ² (2 awg), shielded between filter and amplifier, 600V, 105°C (221°F)
DC bus link	25 mm ² (2 awg), shielded for lengths > 20 cm, 600V, 105°C (221°F)
Motor cables	⇒ p.41, cross section see manual of the used motor series, capacitance <250pF/m, 600V, 105°C (221°F)
Resolver, thermostat-motor	4x2x0.25 mm ² (22awg) twisted pairs, shielded, max.100m, capacitance <120pF/m
Encoder, thermostat-motor	7x2x0.25 mm ² (22awg) twisted pairs, shielded, max.50m, capacitance <120pF/m
Setpoints, monitors, AGND	0.25 mm ² (22awg) twisted pairs, shielded
Control signals, BTB, DGND	0.5 mm ² (20 awg)
Holding brake (motor)	min. 1.5 mm ² (14 awg), 600V, 105°C (221°F), shielded, check voltage drop
+24 V / XGND	max. 2.5 mm ² (12 awg), check voltage drop
Regen resistor	⇒ p.41, min. 10 mm ² (6 awg), shielded, 1000V, 105°C (221°F)
For multi-axis systems, please note the special operating conditions in your installation To reach the max. permitted cable length, observe cable requirements ⇒ p. 41.	



6.3 LED display

A 3-character LED display shows the amplifier status after switching on the 24V supply (⇒ p.91). During operation and parameter setting of the amplifier via the keys on the front panel, the parameter and function numbers (⇒ p.91) are displayed, as well as the numbers of any errors which occur (⇒ p.92).

6.4 Grounding system

AGND — ground for analog inputs/outputs, internal analog/μC ground
 DGND — ground for digital inputs/outputs, optically isolated
 XGND — ground for external 24V aux. voltage, optically and inductively isolated
 PGND — ground for encoder emulation, RS232, CAN, PROFIBUS, optically isolated
 The potential isolation is shown in the block diagram (⇒ p. 43).

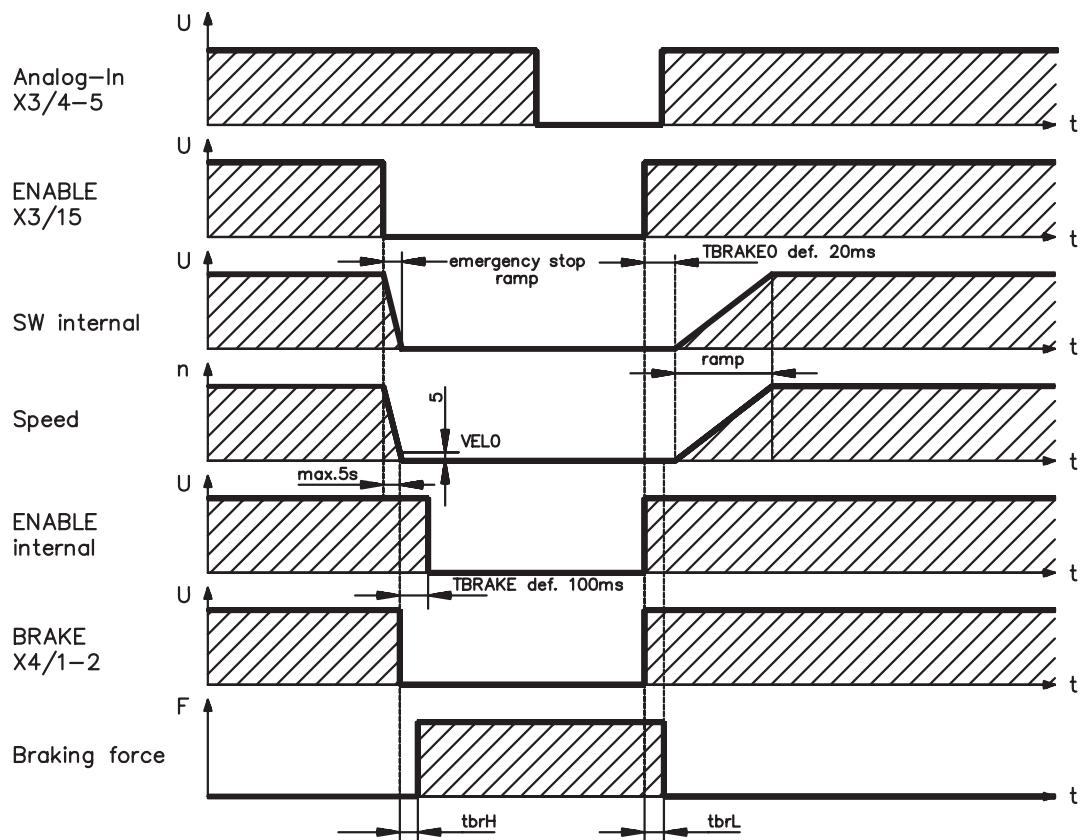
6.5 Control for motor holding brake

A 24 V / max. 3 A holding brake in the motor can be controlled directly by the servo amplifier.



Check voltage drop, measure the voltage at brake input and check brake function (brake and no brake). This function does not ensure personnel safety!

The brake function must be enabled through the BRAKE parameter (setting: WITH BRAKE). In the diagram below you can see the time and functional relationships between the ENABLE signal, speed setpoint, speed and braking force.



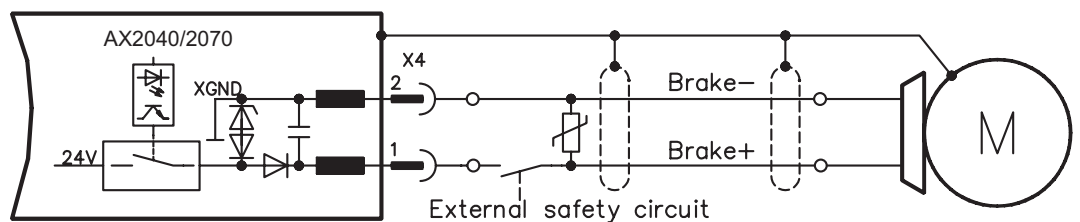
During the internal ENABLE delay time of 100 ms (DECDIS) the speed setpoint of the servo amplifier is internally driven down a 10 ms ramp to 0. The brake output is switched on when a speed of 5rpm is reached or after 5s (EMRGTO) the latest.

The rise (tbrH) and fall (tbrL) times of the holding brake which is built into the motors are different for the various types of motor (see motor manual).

A description of the interface can be found on page 48.

A safe (for personnel) operation of the holding brake requires an additional “make” (n.o.) contact in the brake circuit and a suppressor device (varistor) for the brake.

Recommended brake circuit diagram :



6.6 Regen circuit

During braking with the aid of the motor, energy is fed back to the servo amplifier. This energy is converted into heat in the regen resistor (⇒ p.). The regen resistor is switched into circuit by the regen circuit. The regen circuit (thresholds) are adjusted to the supply voltage with the help of the setup software.

Our customer service can help you with the calculation of the regen power which is required. A description of the interface can be found on page 48.

Functional description:

1.- Individual amplifiers, **not coupled** through the DC bus link (DC+, DC-)

The circuit starts to respond at a DC bus link voltage of 400V, 720V or 840V (depending on the supply voltage). If the energy which is fed back from the motor, as an average over time or as a peak value, is higher than the preset regen power, then the servo amplifier will output the status "regen power exceeded" and the regen circuit will be switched off. At the next internal check of the DC bus link voltage (after a few ms) an overvoltage will be detected and the servo amplifier will be switched off with the error message "Overvoltage F02" (⇒ p. 92).

The BTB/RTO contact (terminal X3/2,3) will be opened at the same time (⇒ p. 66).

2.- Several servo amplifiers **coupled** through the DC bus link circuit (DC+, DC-)

Thanks to the built-in regen circuit with its patented power distribution, several amplifiers (even with different current ratings) can be operated off a common DC bus link. This is achieved by an automatic adjustment of the regen thresholds (which vary, because of tolerances).

The regen energy is distributed equally among all the amplifiers. The **combined power** of all the amplifiers is always available, as continuous or peak power. The switch-off takes place as described under 1. (above) for the servo amplifier with the lowest switch-off threshold (resulting from tolerances).

The RTO (BTB) contact of this amplifier (terminals X3/2,3) will be opened at the same time (⇒ p. 66).

Regen circuit: technical data				
Supply voltage	Rated data	DIM	AX2040	AX2070
3 x 230 V	External regen resistor	Ohm	15	10
	Upper switch-on level of regen circuit	V	400 - 430	
	Switch-off level of regen circuit	V	380 - 410	
	Overvoltage F02	V	450	
	Continuous power of regen circuit (R _{Bext}) max.	kW	6	
	Pulse power, external (R _{Bext} max. 1s)	kW	10	16
3 x 400 V	External regen resistor	Ohm	15	10
	Upper switch-on level of regen circuit	V	720 - 750	
	Switch-off level of regen circuit	V	680 - 710	
	Overvoltage F02	V	800	
	Continuous power of regen circuit (R _{Bext}) max.	kW	6	
	Pulse power, external (R _{Bext} max. 1s)	kW	35	50
3 x 480 V	External regen resistor	Ohm	15	10
	Upper switch-on level of regen circuit	V	840 - 870	
	Switch-off level of regen circuit	V	800 - 830	
	Overvoltage F02	V	900	
	Continuous power of regen circuit (R _{Bext}) max.	kW	6	
	Pulse power, external (R _{Bext} max. 1s)	kW	45	70

6.7 Switch-on and switch-off behavior

This chapter describes the switch-on and switch-off behavior of the AX2040/2070 and the steps required to achieve operational stopping or emergency stop behavior that complies with standards.



The servo amplifier's 24 V supply must remain constant. The ASCII commands ACTFAULT (error response) and STOPMODE (ENABLE signal response) dictate how the drive will behave.

STOPMODE	ACTFAULT	Behavior (see also ASCII reference in the online help of the setup software)
0 (default)	0	Motor coasts to a standstill in an uncontrolled manner
1	1 (default)	Motor is braked in a controlled manner

Behavior during a power failure

The servo amplifiers use an integrated circuit to detect if one or more input phases (power supply feed) fail. The behavior of the servo amplifier is set using the setup software: Under "**Response to Loss of Input Phase**" (PMODE) on the **Basic Setup** screen, select:

- **Warning** if the higher-level control system is to bring the drive to a standstill: Warning n05 is output if an input phase is missing, and the motor current is limited to 4 A. The servo amplifier is not disabled. The higher-level control system can now selectively end the current cycle or start bringing the drive to a standstill. Therefore, the error message "MAINS BTB, F16" is output on a digital output of the servo amplifier and evaluated by the control system, for instance.
- **Error message** if the servo amplifier is to bring the drive to a standstill: Error message F19 is output if an input phase is missing. The servo amplifier is disabled and the BTB contact opens. Where the factory setting is unchanged (ACTFAULT=1), the motor is braked using the set "EMERGENCY STOP RAMP".

Behavior when undervoltage threshold is reached

If the undervoltage threshold is undershot in the DC bus link (the threshold value depends on the type of servo amplifier), the error message "UNDERVOLTAGE, F05" is displayed. The drive response depends on the ACTFAULT/STOPMODE setting.

Behavior with enabled "holding brake" function

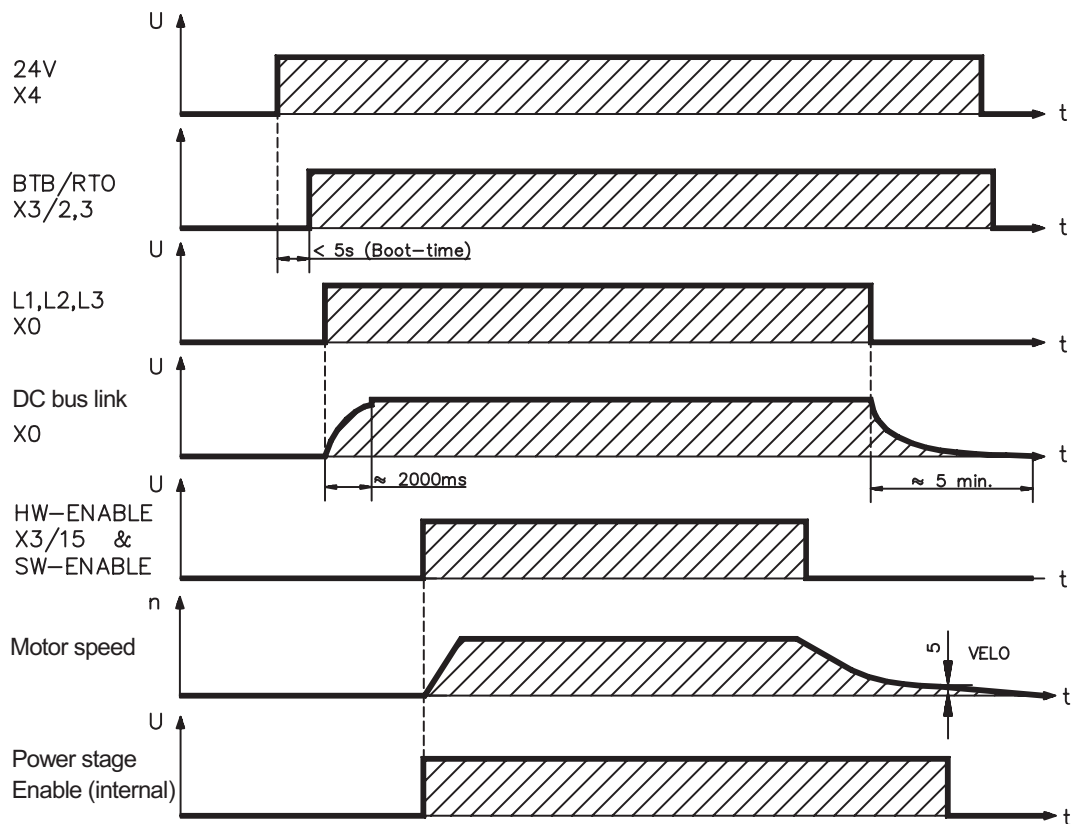
Servo amplifiers with an enabled holding brake function have a special procedure for switching off the output stage (⇒ p. 21). Removing the ENABLE signal triggers electrical braking. As with all electronic circuits, the general rule applies that there is a possibility of the internal "holding brake" module failing. Bringing a motor to a standstill using a holding brake in a way that is personnel safe also requires an electromechanical "make" contact for the holding equipment and a suppressor device for the brake.

Behavior of the restart lock -AS-

With the personnel safe restart lock -AS-, the drive can be secured on standstill using its internal electronics so that even when power is being supplied, the drive shaft is protected against unintentional restart. The chapter "Personnel safe restart lock -AS-" describes how to use the restart lock -AS-. See page 69 onwards.

6.7.1 Behavior in standard operation

The behavior of the servo amplifier always depends on the current setting of a number of different parameters (e.g., ACTFAULT, VBUSMIN, VELO, STOPMODE, etc.; see online help). The diagram below illustrates the correct functional sequence for switching the servo amplifier on and off.

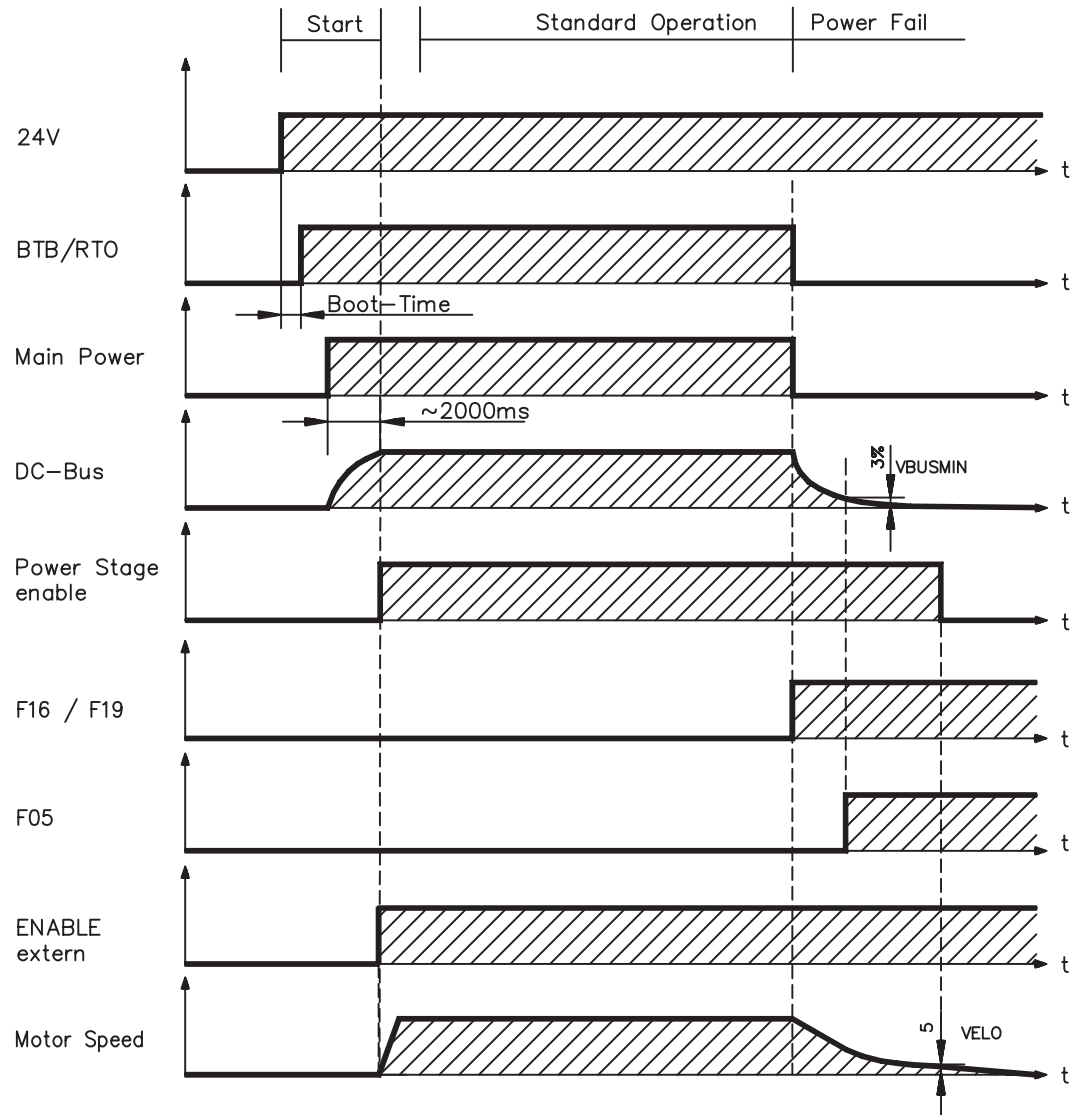


Devices which are equipped with a selected "Brake" function use a special sequence for switching off the output stage (\Rightarrow p. 21).

The built-in restart lock -AS- can be used to switch off the drive via a positive-action (approved by Trade Liability Association) safety relay, so that personnel safety is ensured at the drive shaft (\Rightarrow p. 69).

6.7.2 Behavior in the event of an error (with standard setting)

The behavior of the servo amplifier always depends on the current setting of a number of different parameters (e.g., ACTFAULT, VBUSMIN, VELO, STOPMODE, etc.; see online help). The diagram shows the startup procedure and the procedure that the internal control system follows in the event of one or more electrical supply phases failing, assuming that the standard parameter settings apply.



(F16/F19 = error messages Mains BTB /input phase, F05 = error message Undervoltage)

Even if there is no intervention from an external control system (in the example, the ENABLE signal remains active), the motor is immediately braked using the emergency stop ramp if an input phase error is detected and assuming that no changes have been made to the factory setting (ACT-FAULT=1).

6.8 Stop/Emergency Stop Function to EN 60204



With the personnel safe restart lock –AS- (see page 69 onwards) the drive can be secured on standstill (torque-free) using its internal electronics so that even when power is being supplied, the drive shaft is protected against unintentional restart.

6.8.1 Stop: Standards

The Stop function is used to shut down the machine in normal operation. The Stop functions are defined by EN 60204 (VDE 0113), paragraphs 9.2.2 and 9.2.5.3.

- Category 0:** Shut-down by immediate switching-off of the energy supply to the drive machinery (i.e. an uncontrolled shut-down);
- Category 1:** A controlled shut-down, whereby the energy supply to the drive machinery is maintained to perform the shut-down, and the energy supply is only interrupted when the shut-down has been completed;
- Category 2:** A controlled shut-down, whereby the energy supply to the drive machinery is maintained.



The parameters “STOPMODE” and “ACTFAULT” must be set to 1 in order to implement the stop categories. If necessary, change the parameters via the terminal screen of the setup software and store the data in the EEPROM.

The Stop Category must be determined by a risk evaluation of the machine. In addition, suitable means must be provided to guarantee a reliable shut-down.

Category 0 and Category 1 Stops must be operable independently of the operating mode, whereby a Category 0 Stop must have priority. Stop functions must be implemented by **disconnection** of the appropriate circuitry, and have priority over assigned start functions.

If necessary, provision must be made for the connection of protective devices and lock-outs. If applicable, the Stop function must signal its status to the control logic. A reset of the Stop function must not create a hazardous situation.

6.8.2 Emergency Stop: Standards

The emergency Stop function is used for the **fastest possible shut-down** of the machine in a dangerous situation. The Emergency Stop function can be triggered by the actions of a single person. It must be fully functional and available at all times. The user must not have to work out how to operate this mechanism.

The Emergency Stop function is defined by EN 60204 (VDE 0113), paragraph 9.2.5.4.

In addition to the requirements for Stop, the emergency Stop must fulfil the following requirements:

- emergency stop must have priority over all other functions and controls in all operating situations;
- the energy supply to any drive machinery that could cause dangerous situations must be switched off as fast as possible, without causing any further hazards (e.g. by using mechanical latching devices that do not require an external supply of energy, by counter-current braking in Stop Category 1);
- the reset must not initiate a restart.

If necessary, provision must be made for the additional connection of emergency stop devices (see EN 60204, "Requirements for emergency stop devices").

The Emergency Stop must be effective as a stop of either Category 0 or Category 1.

The Emergency Stop Category must be determined by a risk evaluation of the machine.

Category 0

Only hard-wired, electromechanical components may be used for the Category 0 Emergency Stop function. It must not be triggered using switching logic (hardware or software), by transferring commands via a communication network, or via a data link.

The drive must be shut down using an electromechanical circuit. If the connected servo motor has an integrated brake, this must always be controlled by an electromechanical circuit as well.

Category 1

With the Category 1 Emergency Stop function, there must be absolute certainty in terms of the power supply for the machine drives being switched off (i.e., secured) using electromechanical components. Additional Emergency Stop equipment may be connected. Bringing the motor to a standstill by interrupting the mains supply and using controlled electronic braking. The 24 V supply for the servo amplifier must remain constant. The issue of which circuit should be used is highly dependent on the requirements of the application at hand.

Usually a brake in a servo motor only has the function of a holding brake. To ensure an emergency stop function, the braking torque that is required must be checked. If the holding brake fulfills the dynamic requirements, it must be taken into account that this application will cause increased wear.



The parameters "STOPMODE" and "ACTFAULT" must be set to 1 in order to implement the stop categories. If necessary, change the parameters via the terminal screen of the setup software and store the data in the EEPROM.

6.8.3 Implementation of the Stop Category 0

Bringing the motor to a standstill by immediately switching off the amplifier power supply (**STOP-MODE & ACTFAULT parameters set to 1**). The switching sequence is precisely determined by this circuit in order to avoid undesirable fault messages and servo amplifier failures.

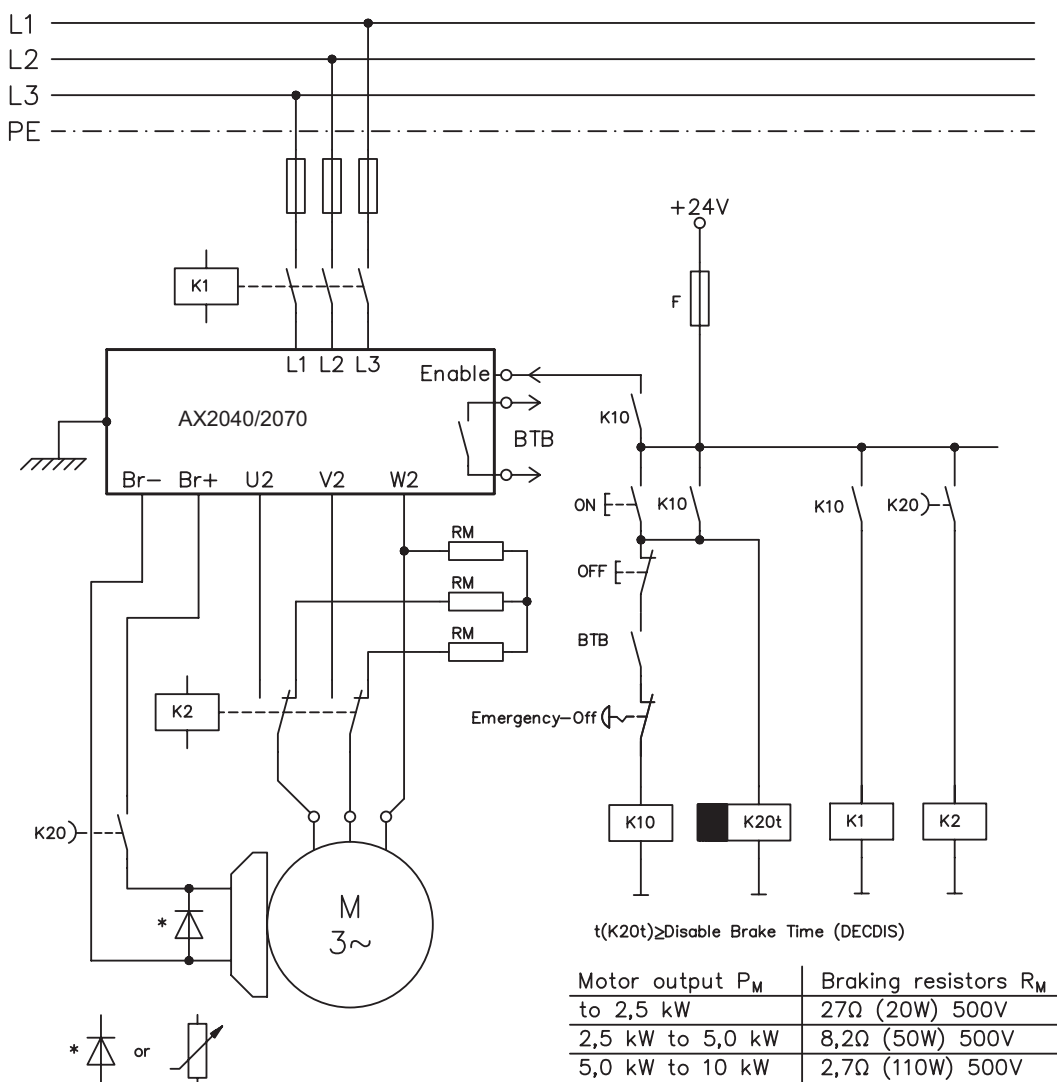
It is not possible to achieve a Category 0 shut-down with the servo amplifier alone, since hard-wired electromechanical components are compulsory for this type of disconnection.

A brake that is built into the motor must have an additional electromechanical control circuit, as well as the control through the AX2040/2070, in order to meet Category 0.

Usually a brake in a servo motor only has the function of a holding brake. To ensure an emergency stop function, the braking torque that is required must be checked. If the holding brake fulfills the dynamic requirements, it must be taken into account that this application will cause increased wear.

Circuit suggestion

(with EMERGENCY STOP Category 0, control function with contactor relays)



$$P_M = \frac{M_0 \cdot n_n}{9550}$$

P_M : Motor output [kW]
 M₀ : Stall torque [Nm]
 n_n : Rated speed [1/min]

6.8.4 Implementation of the Stop Category 1

Bringing the motor to a standstill by interrupting the mains supply and using controlled electronic braking (**STOPMODE & ACTFAULT parameters set to 1**). The 24 V supply for the AX2040/2070 must remain constant.

The drive is braked in a controlled manner during the stopping (disabling) procedure. If the speed VEL0 (see sequence diagram in chapter 6.5) is undershot, the holding brake is applied and the output stage is disabled.

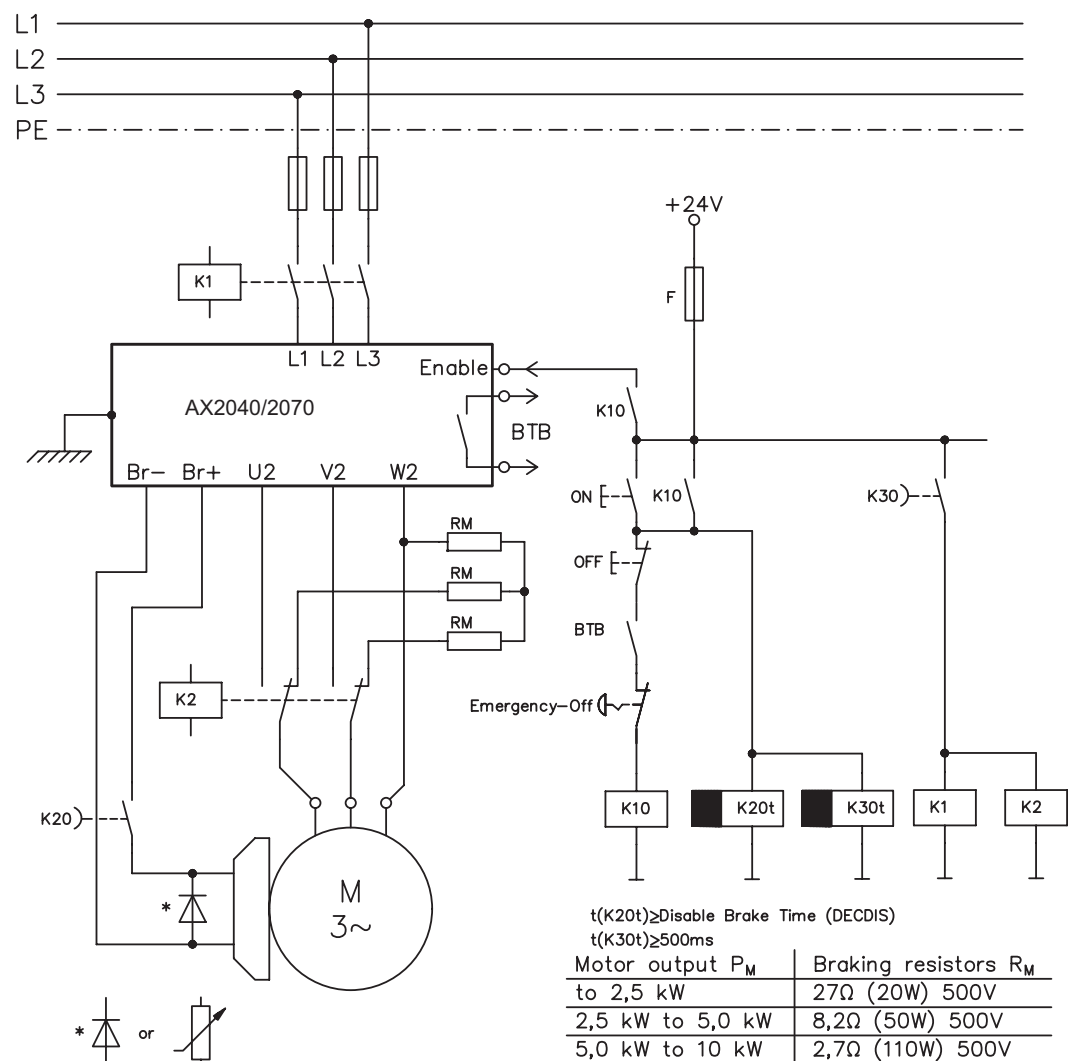
As soon as two separate time periods (set at the time relay) have elapsed, the mains supply and the holding brake are electrically isolated.



Should an internal AX2040/2070 fault occur, the motor is forced to a standstill once K20 drops out.

Circuit suggestion

(with EMERGENCY STOP Category 1, control function with contactor relays)



$$P_M = \frac{M_0 \cdot n_n}{9550}$$

P_M : Motor output [kW]
 M_0 : Stall torque [Nm]
 n_n : Rated speed [$1/min$]

6.8.5 Implementation of the Stop Category 2

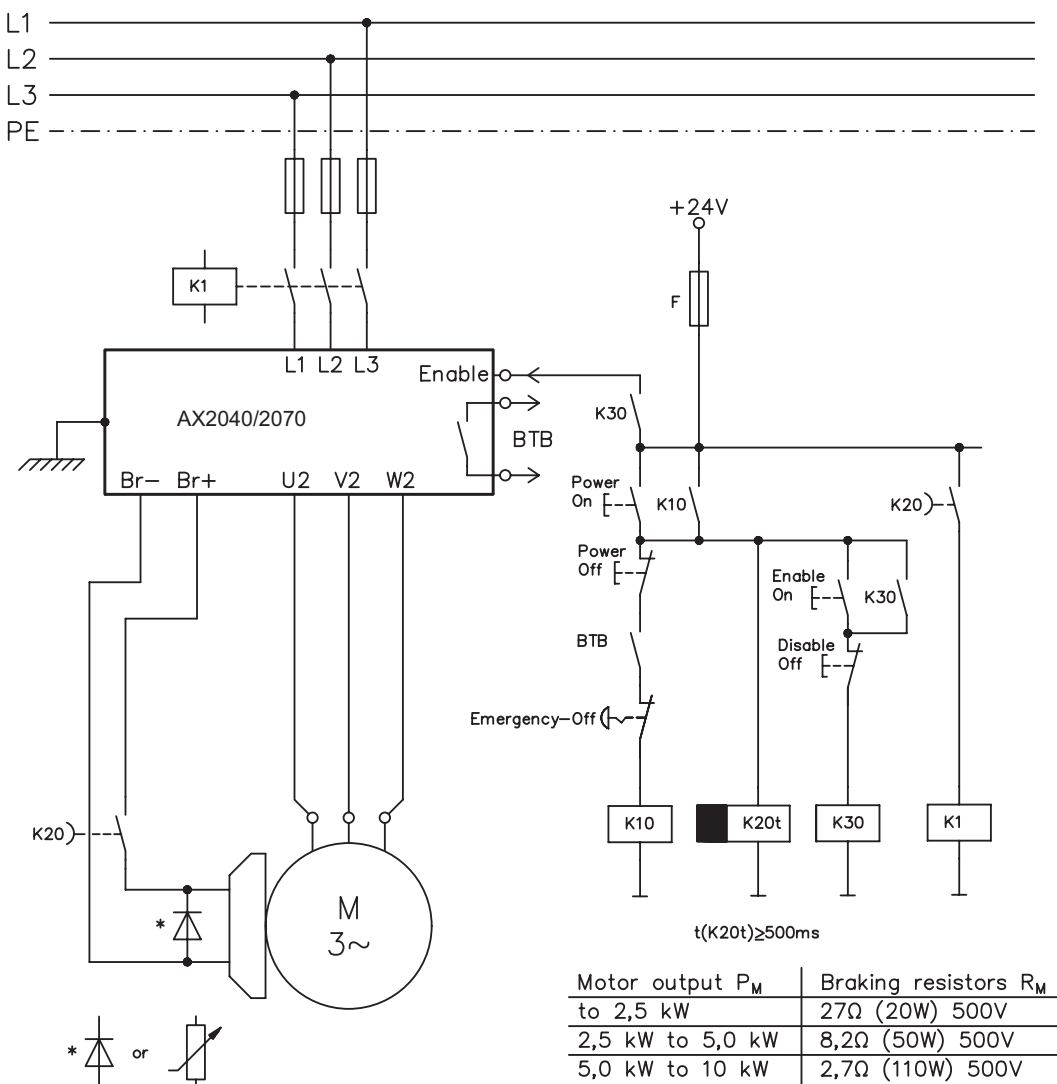
The machine receives an operational stop (disable) command and brakes the drive using the set braking ramp (**STOPMODE & ACTFAULT parameters set to 1**).

The drive is braked in a controlled manner during the stopping (disabling) procedure. If the speed VEL0 (see sequence diagram in chapter 6.5) is undershot, the holding brake is applied and the output stage is disabled. In this case, there is no interruption of the electrical supply.

If the electrical supply is switched off, not only will the controlled braking procedure be performed, but the mains supply and the holding brake will also be electrically isolated following a time period set at the time relay.

Circuit suggestion

(with EMERGENCY STOP Category 1, control function with contactor relays)



Motor output P _M	Braking resistors R _M
to 2,5 kW	27Ω (20W) 500V
2,5 kW to 5,0 kW	8,2Ω (50W) 500V
5,0 kW to 10 kW	2,7Ω (110W) 500V

$$P_M = \frac{M_0 * n_n}{9550}$$

P_M : Motor output [kW]
 M₀ : Stall torque [Nm]
 n_n : Rated speed [1/min]

6.9 Shock-hazard protection

6.9.1 Leakage current

Leakage current via the PE conductor results from the combination of equipment and cable leakage currents. The leakage current frequency pattern comprises a number of frequencies, whereby the residual-current circuit breakers definitively evaluate the 50Hz current. For this reason, the leakage current cannot be measured using a conventional multimeter.

As a rule of thumb, the following assumption can be made for leakage current on our low-capacity cables at a mains voltage of 400 V, depending on the clock frequency of the output stage:

$I_{leak} = n \times 20\text{mA} + L \times 1\text{mA/m}$ at 8kHz clock frequency at the output stage

$I_{leak} = n \times 20\text{mA} + L \times 2\text{mA/m}$ at a 16kHz clock frequency at the output stage

(where I_{leak} =leakage current, n =number of amplifiers, L =length of motor cable)

At other mains voltage ratings, the leakage current varies in proportion to the voltage.

Example: 2 x servo amplifiers + a 25m motor cable at a clock frequency of 8kHz:
 $2 \times 20\text{mA} + 25\text{m} \times 1\text{mA/m} = 65\text{mA}$ leakage current.



Since the leakage current to PE is more than 3.5 mA, in compliance with EN50178 the PE connection must either be doubled or a connecting cable with a cross-section >10mm² must be used.

The following measures can be used to minimise leakage currents.

- Reduce the length of the engine cable
- Use low-capacity cables (see p.41)

6.9.2 Residual-current circuit breakers (FI)

In conformity with DIN IEC 60364-4-41 – Regulations for installation and EN 60204 – Electrical equipment of machinery, residual-current circuit-breakers (called FI below) can be used provided the requisite regulations are complied with.

The AX2040/2070 is a 3-phase system with a B6 bridge. Therefore, **FIs which are sensitive to all currents** must be used in order to detect any d.c. fault current. Refer to chapter 6.9.1 for the rule of thumb for determining the leakage current.

Rated residual currents in the FI

10 -30 mA	Protection against "indirect contact" (personal fire protection) for stationary and mobile equipment, as well as for "direct contact".
50 -300 mA	Protection against "indirect contact" (personal fire protection) for stationary equipment



Recommendation: In order to protect against direct contact (with motor cables <5m) we recommend that each servo amplifier be protected individually using a 30mA residual-current circuit-breaker which is sensitive to all currents.

If you use a selective FI circuit-breaker, the more intelligent evaluation process will prevent spurious tripping of the circuit-breakers.

6.9.3 Isolating transformers

If protection against indirect contact is absolutely essential despite a higher leakage current, or if an alternative form of shock-hazard protection is sought, the AX2040/2070 can also be operated via an isolating transformer.

A ground-leakage monitor can be used to monitor for short circuits.



We would advise you to keep the length of wiring between the transformer and the servo amplifier as short as possible.

7 Mechanical Installation

7.1 Important notes



- Protect the servo amplifier from impermissible stresses. In particular, do not let any components become bent or any insulation distances altered during transport and handling. Avoid contact with electronic components and contacts.
- Ensure that there is an adequate flow of cool, filtered air into the bottom of the switchgear cabinet or use heat exchangers. Observe page 19.
- Take care that the servo amplifier and motor are earthed (grounded) properly. Do **not** use painted (non-conductive) mounting plates.
- Don't mount devices, which produce magnetic fields, directly beside the servo amplifier. Strong magnetic fields could directly affect internal components. Install devices which produce magnetic field with distance to the servo amplifiers and/or shield the magnetic fields.

7.2 Guide to mechanical installation

The following notes should assist you to carry out the mechanical installation in a sensible sequence, without overlooking anything important.

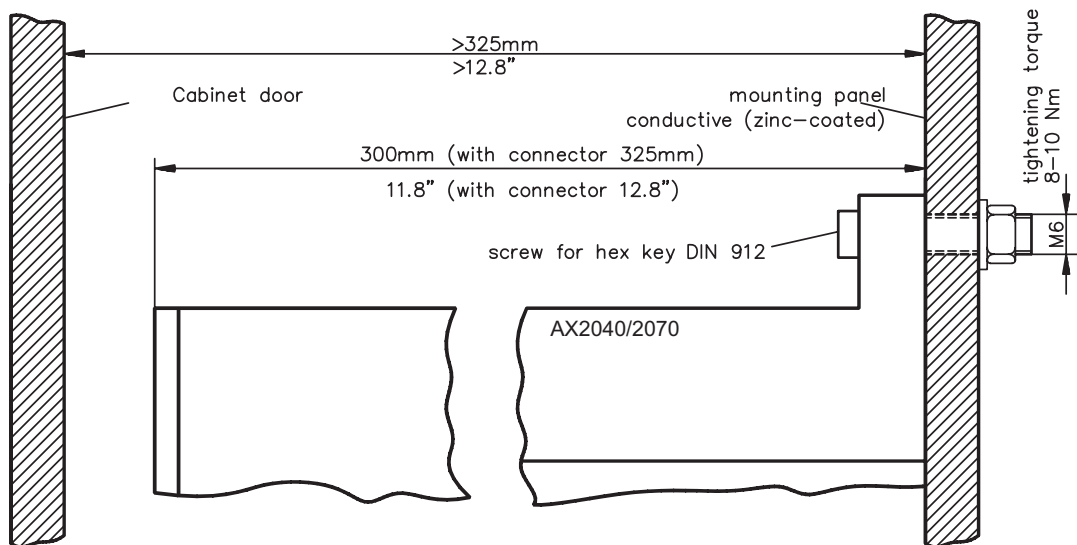
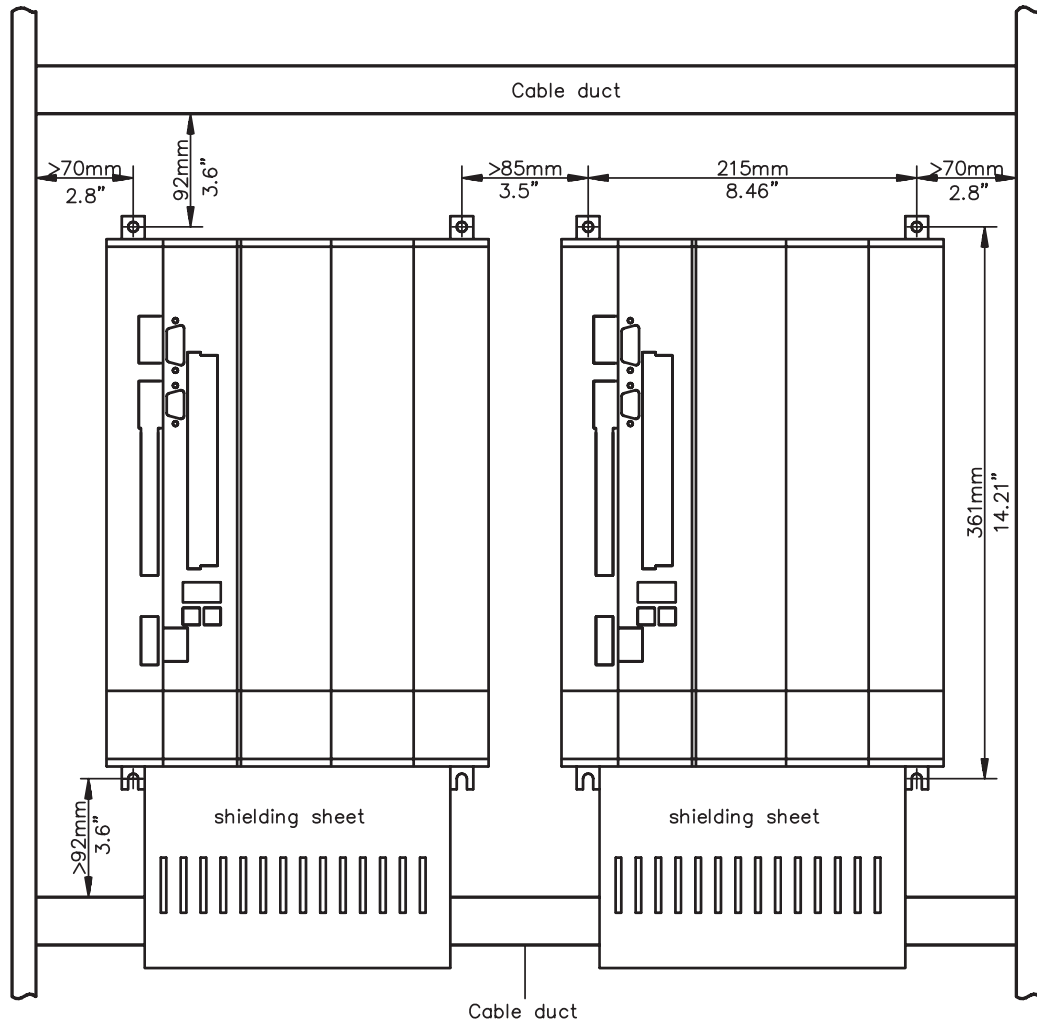
Site	In a closed switchgear cabinet. Observe page 19 . The site must be free from conductive or corrosive materials. For the mounting position in the cabinet ⇒ p. 34
Ventilation	Check that the ventilation of the servo amplifier is unimpeded and keep within the permitted ambient temperature ⇒ p. 19 . Keep the required space clear above and below the servo amplifier ⇒ p 34.
Assembly	Assemble the servo amplifier and power supply, filter and choke close together on the conductive, grounded mounting plate in the cabinet.
Grounding Shielding	EMC-compliant (EMI) shielding and grounding (⇒ p. 45) Earth (ground) the mounting plate, motor housing and CNC-GND of the controls. Notes on connection techniques are on page 40

7.3 Assembly

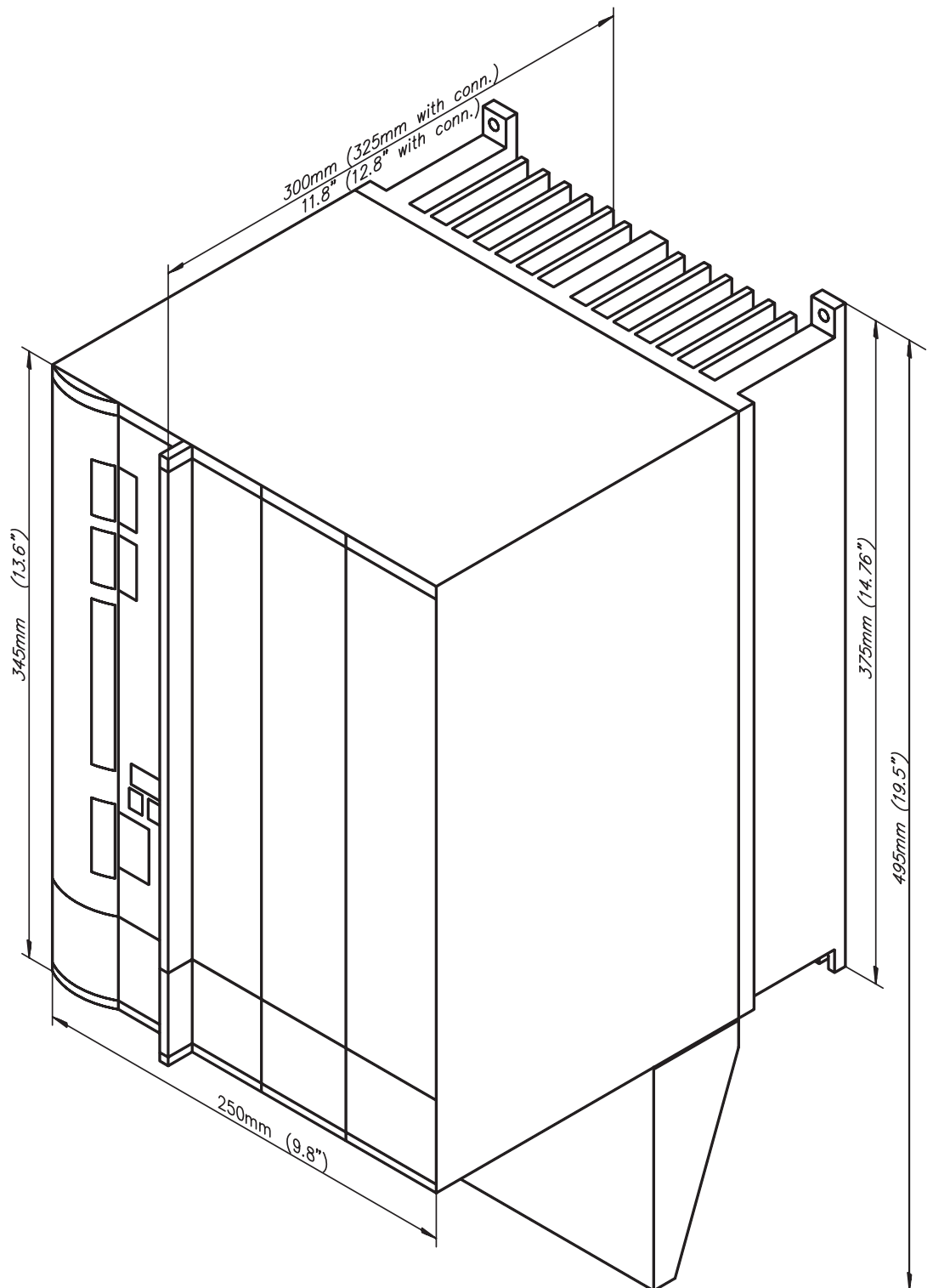
Ask our customer service for information for pass through mounting

Material : 4 hexagon socket screws to DIN 912, M6

Tool required : 5 mm Allen key



7.4 Dimensions



This page has been deliberately left blank.

8 Electrical Installation

8.1 Important Notes



- Check the combination of servo amplifier and motor. Compare the rated voltage and current of the units. Carry out the wiring according to the connection diagram on page 39.
- Make sure that the maximum permissible rated voltage at the terminals L1, L2, L3 or +DC, –DC is not exceeded by more than 10% even in the most unfavourable case (see EN 60204-1 Section 4.3.1). An excessive voltage on these terminals can lead to destruction of the regen circuit and the servo amplifier.
- **The use of external mains chokes and mains filters is required.**
- The fusing of the AC supply input and the 24V supply is installed by the user (⇒ p. 19).
- Route power and control cables separately. We recommend a separation of at least 200mm. This improves the interference immunity required by EMC regulations.
- Install all shielding with large areas (low impedance), with metallised connector housings or shield connection clamps where possible. Earth (ground) the shielding at both ends (⇒ p.45). Notes on connection techniques can be found on page 40.
- Feedback lines may not be extended, since thereby the shielding would be interrupted and the signal processing could be disturbed.
- The cable between servo amplifier and regen resistor must be shielded.
- Install all heavy-current cables with an adequate cross-section, as per EN 60204 (⇒ p. 20) and use the requested cable material (⇒ p. 41) to reach max. cable length.
- Wire the BTB/RTO contact in series into the safety circuit of the installation. The safety circuit must control the mains relay. Only in this way is the monitoring of the servo amplifier assured.
- It is permissible to alter the servo amplifier settings by using the setup software.
Any other alterations will invalidate the warranty.



Never disconnect the electrical connections to the servo amplifier while it is live. In unfavourable circumstances this could result in destruction of the electronics. Residual charges in the capacitors can have dangerous levels up to 300 seconds after switching off the mains supply voltage. Measure the voltage in the DC bus link (+DC/-DC), and wait until the voltage has fallen below 40V. Control and power connections can still be live, even when the motor is not rotating.

8.2 Guide to electrical installation

The following notes should assist you to carry out the electrical installation in a sensible sequence, without overlooking anything important.

Cable selection

Select cables according to EN 60204 (⇒ p. 20)

Grounding Shielding

EMC-compliant (EMI) shielding and grounding (⇒ p. 45)
Earth (ground) the mounting plate, motor housing and CNC-GND of the controls.
Notes on connection techniques are on page 40

Wiring

Route power leads and control cables separately
Wire the BTB/RTO contact in series into the safety loop

- Connect the digital control inputs to the servo amplifier
- Connect up AGND (also if fieldbuses are used)
- Connect the analog setpoint, if required
- Connect up the feedback unit (resolver and/or encoder)
- Connect the encoder emulation, if required
- Connect the expansion card (see corresponding manual on the CD-ROM)
- Connect the motor cables, connect shielding to EMI connectors at both ends
- Connect motor-holding brake, connect shielding to EMI connectors at both ends
- Connect the external regen resistor (with fusing)
- Connect aux. supply (for max. permissible voltage values ⇒ p. 19)
- Connect mains choke and mains filter (shielded lines between filter and servo amplifier)
- Connect main power supply (for max. permissible voltage values ⇒ p. 19)
- Connect PC (⇒ p. 67).

Final check

— Final check of the implementation of the wiring, according to the wiring diagrams which have been used.



8.3 Wiring

8.3.1 Important notes



Only professional staff who are qualified in electrical engineering are allowed to install the servo amplifier. The installation procedure is described as an example. A different procedure may be sensible or necessary, depending on the application of the equipment.

We provide further know-how through **training courses** (on request).



Caution !

Only install and wire up the equipment when it is not live, i.e. when neither the mains power supply nor the 24 V auxiliary voltage nor the operating voltages of any other connected equipment is switched on.

Take care that the cabinet is safely disconnected (with a lock-out, warning signs etc.). The individual voltages will be switched on for the first time during setup.



The ground symbol ⏏ , which you will find in all the wiring diagrams, indicates that you must take care to provide an electrically conductive connection with the largest possible surface area between the unit indicated and the mounting plate in the switchgear cabinet.

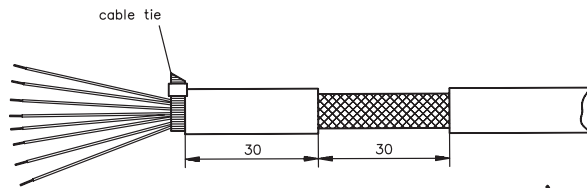
This connection is for the effective grounding of HF interference, and must not be confused with the PE- symbol \perp (a protective measure to EN 60204).



Use the following connection diagrams:

Overview	: page 45
Mains power	: page 47
Motor	: page 48
Feedback	: page 49ff
Electronic Gearing / Master Slave	
Master-Slave	: page 56
Pulse-Direction	: page 59
Encoder Emulation	
ROD (A quad B)	: page 61
SSI	: page 62
Analog/Digital Inputs/Outputs	: page 63ff
RS232 / PC	: page 67
CAN Interface	: page 68
Restart lock -AS-	: page 72
Multi-axis systems, example	: page 89
Expansion cards	
I/O-14/08	: page 98
PROFIBUS	: page 99
SERCOS	: page 101
DeviceNet	: page 102
EtherCat	: page 105
-2CAN-	: page 107

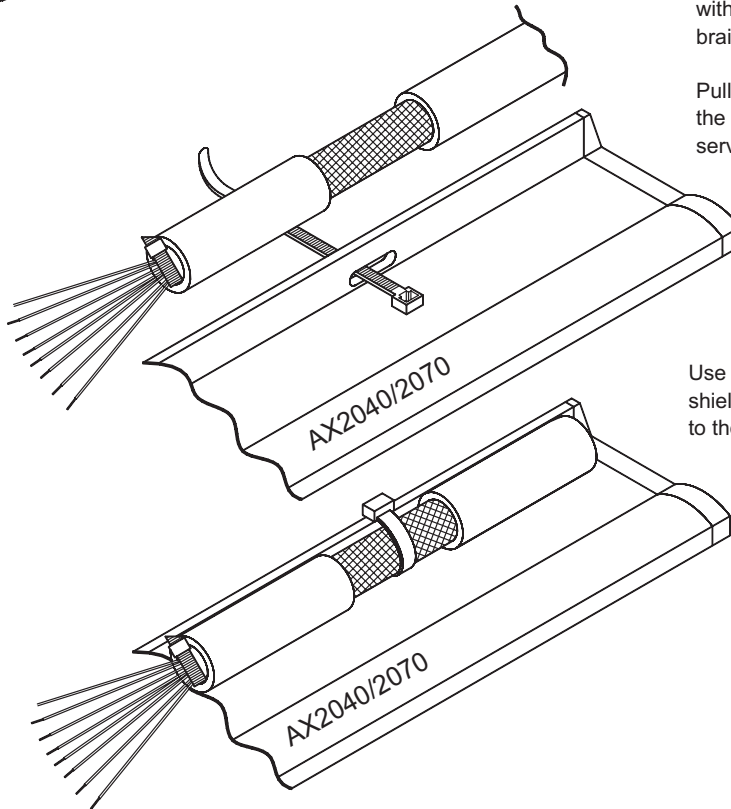
8.3.2 Shielding connection to the front panel



Remove the outer covering of the cable and the shielding braid from the cores for the required length. Secure the cores with a cable tie.

Remove the outer covering of the cable over a length of about 30mm, without damaging the shielding braid.

Pull a cable tie through the slot in the shielding rail (front panel) of the servo amplifier.



Use the cable tie to clamp the shielding braid of the cable firmly to the shielding rail.

8.3.3 Technical data for cables

Further information on the chemical, mechanical and electrical characteristics of the cables can be obtained from our customer service .



Observe the restrictions in the chapter "Conductor cross-sections" on page 20. To operate the amplifier with the max. permitted cable length, you must use cable material which meets the requirements on the capacity given below.

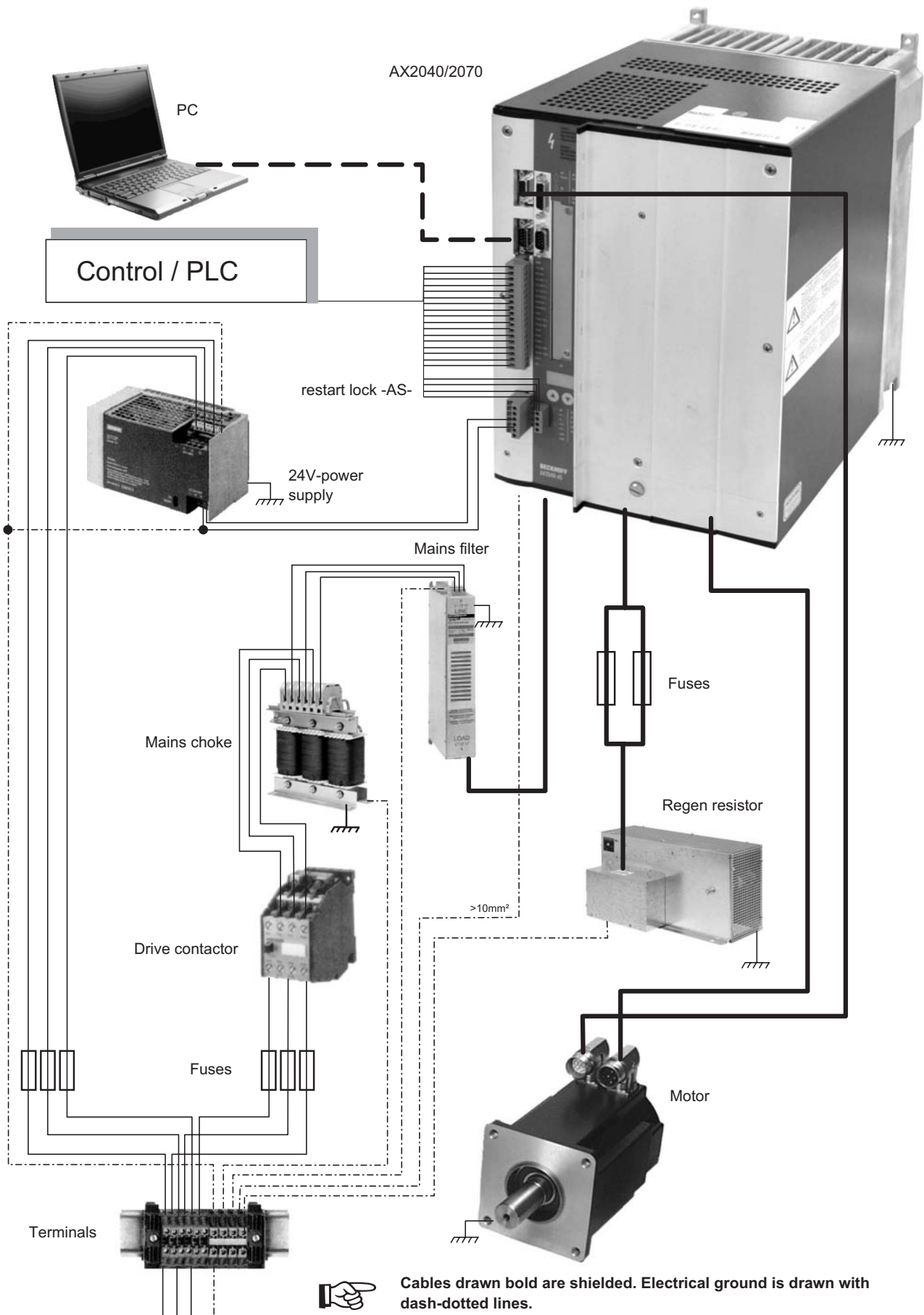
Insulation material

Sheathing	PUR (polyurethane, code 11Y)
Core insulation	PETP (polyesteraphtalate, code 12Y)

Capacitance

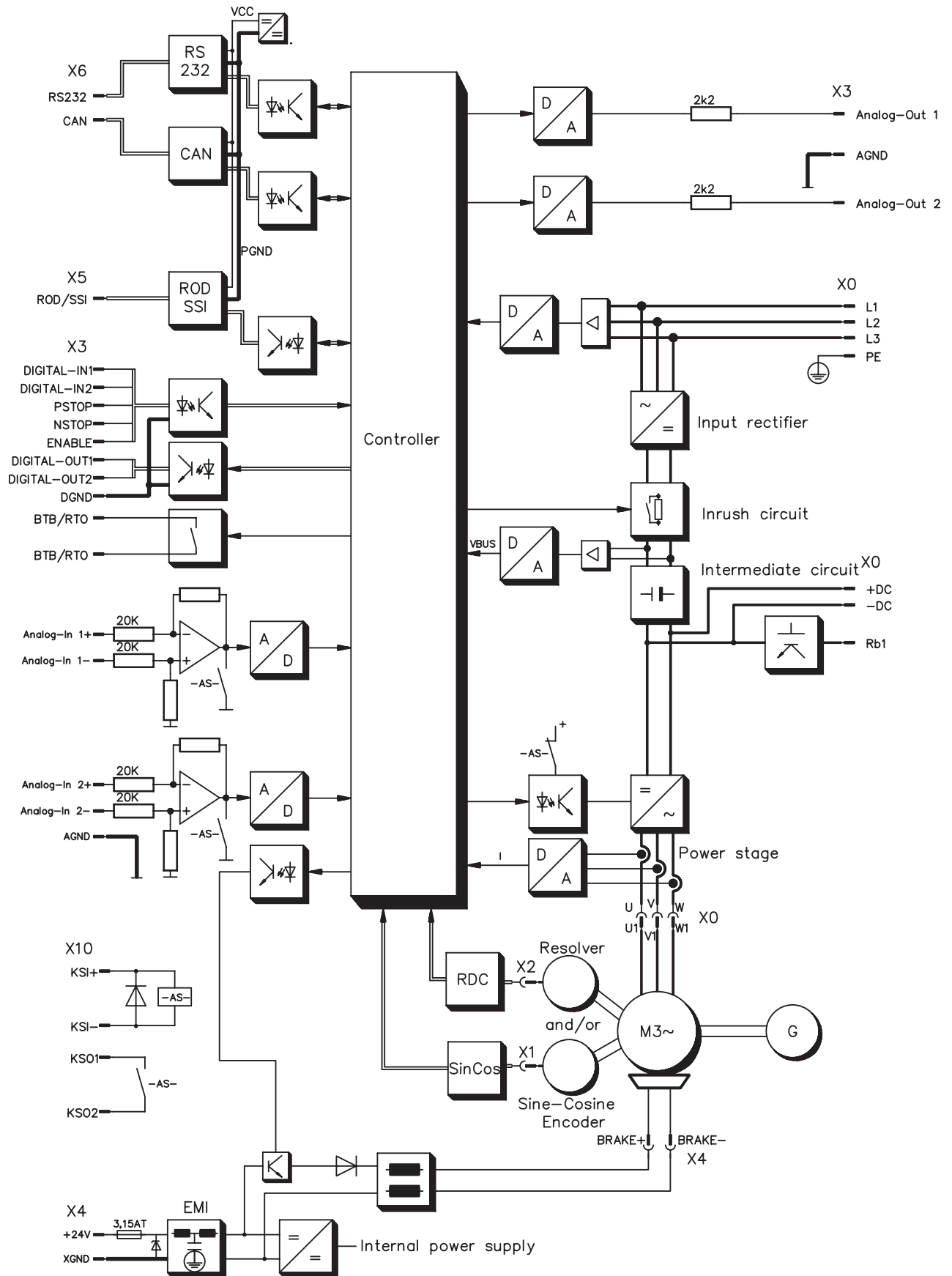
Motor cable	$\leq 4\text{mm}^2$: less than 150 pF /m $>4\text{mm}^2$: less than 250 pF/m
Feedback cable	less than 120 pF/m

8.4 Components of a servo system



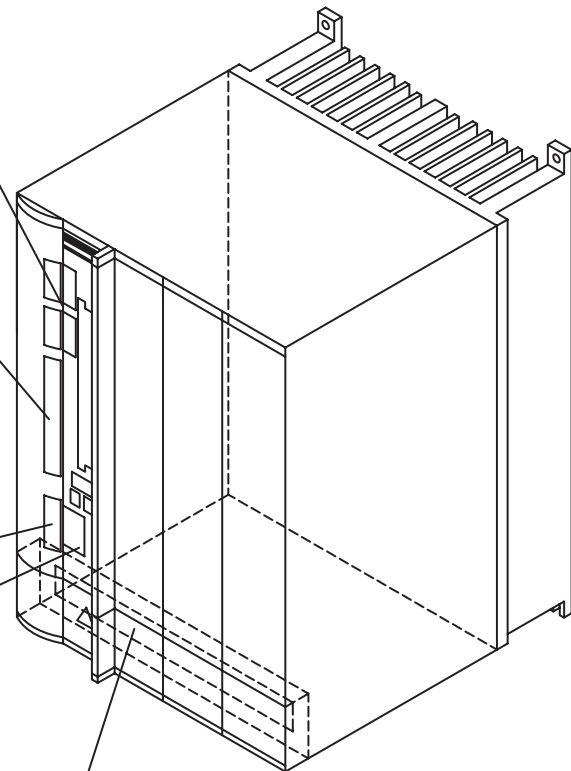
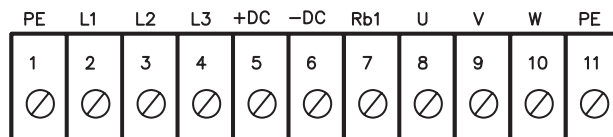
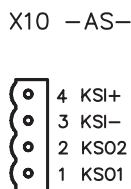
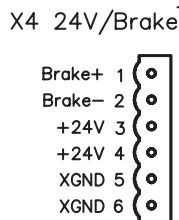
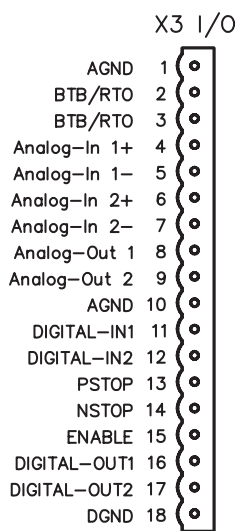
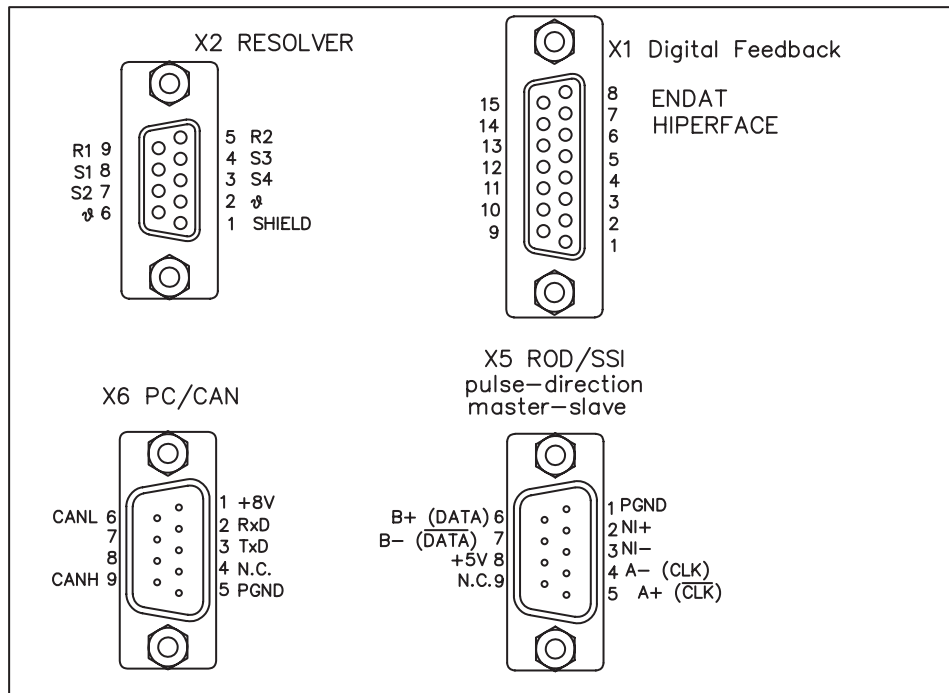
8.5 Block diagram

The block diagram below is just an overview.



8.6

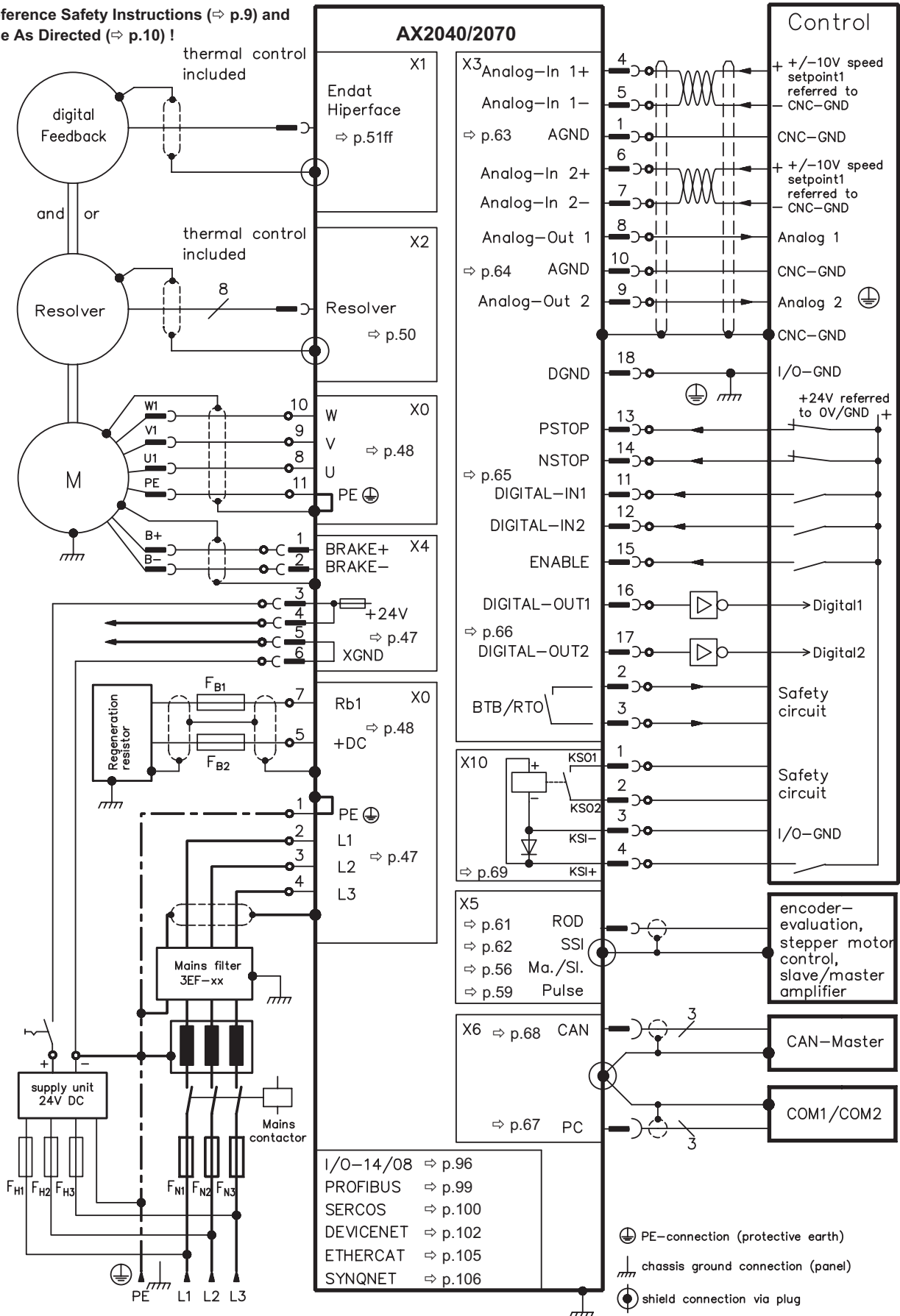
Pin assignments



View: looking at the face of the built-in connectors

8.7 Connection diagram (overview)

Reference Safety Instructions (⇒ p.9) and Use As Directed (⇒ p.10) !



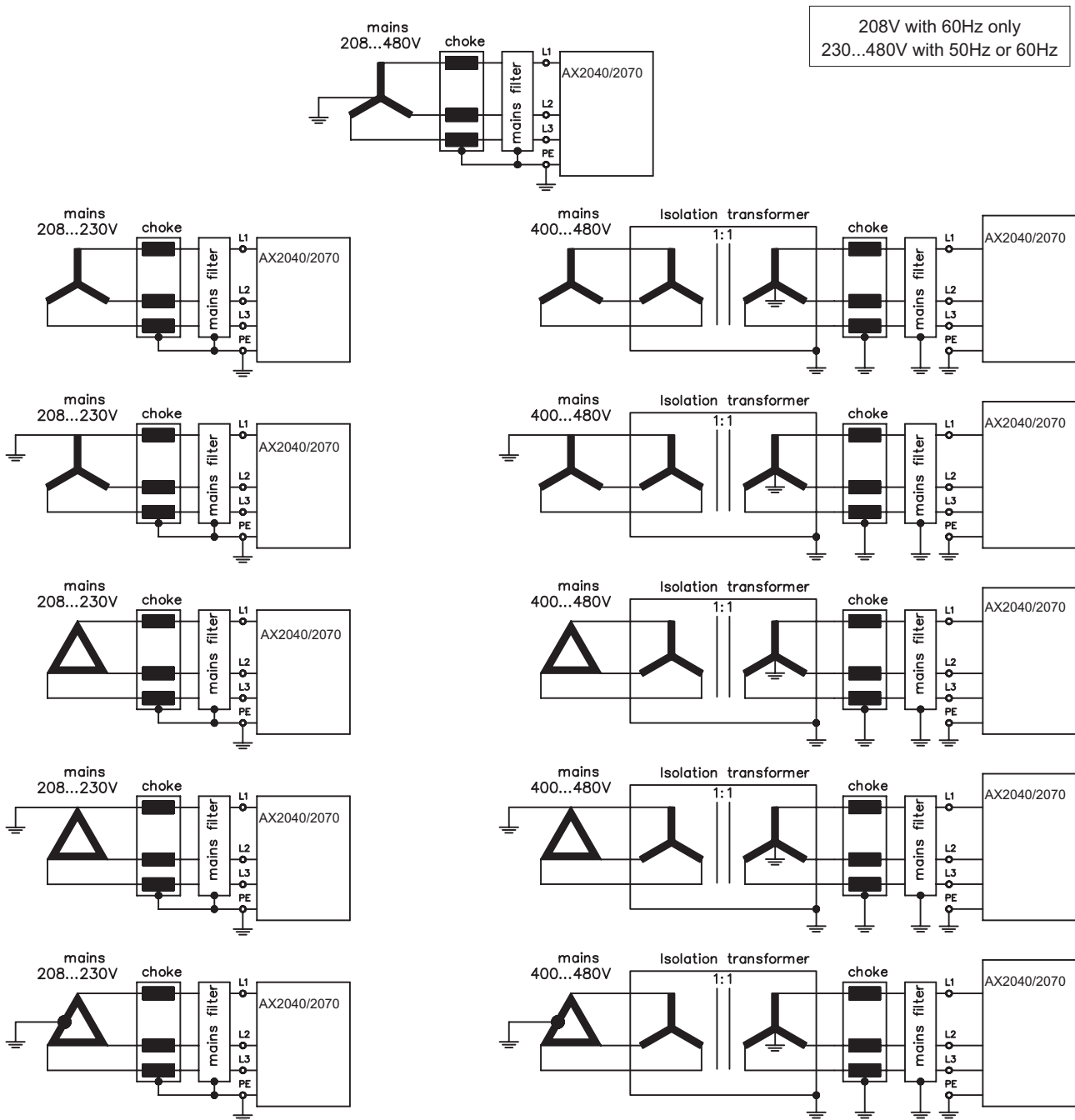
8.8 Power supply

8.8.1 Connection to various mains supply networks

This page illustrates all the possible connection variations for different electrical supply networks.

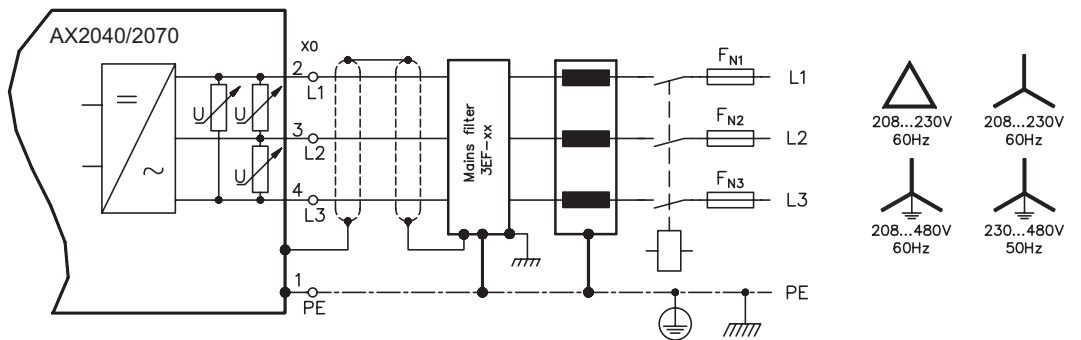


An isolating transformer is always required for 400...480V mains networks without earth(ground) and for networks with asymmetrical earth(ground).



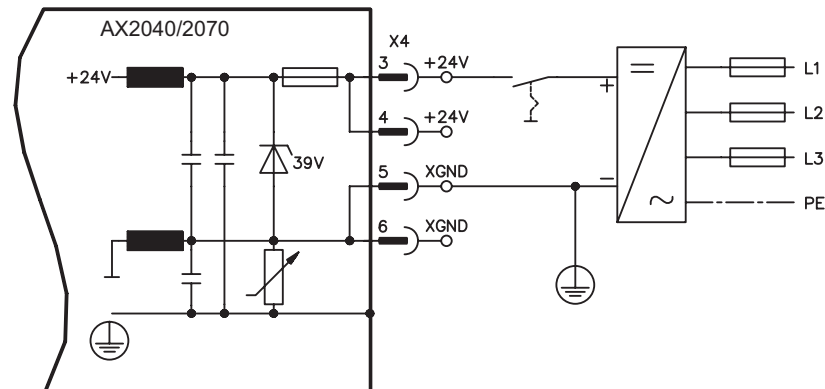
8.8.2 Mains supply connection (X0)

- EMI filter and mains choke (required) provided by the user
- Fusing (e.g. fusible cut-outs) provided by the user ⇒ p. 19



8.8.3 24V auxiliary supply (X4)

- Electrically isolated, external 24VDC supply, e.g. with insulating transformer
- Required current rating ⇒ p. 18
- Integrated EMI filter for the 24V auxiliary supply



8.8.4 DC bus link (X0)

Can be connected in parallel, thanks to patented circuit to distribute the regen power among all the amplifiers connected to the same DC bus link circuit. (Connection example ⇒ p. 89).



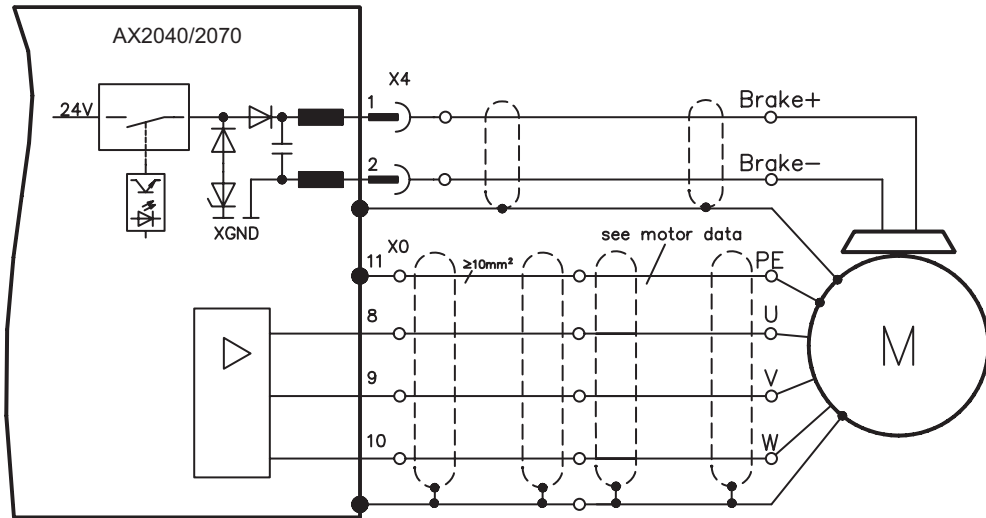
Only servo amplifiers with mains supply from the same mains (identical mains supply voltage) may be connected by the DC bus link.

The sum of the rated currents for all of the servo amplifiers connected in parallel to an AX2040/2070 must not exceed 300A.

Use unshielded single cores ($\geq 10\text{mm}^2$) with a max. length of 500 mm. Use shielded cables for longer lengths.

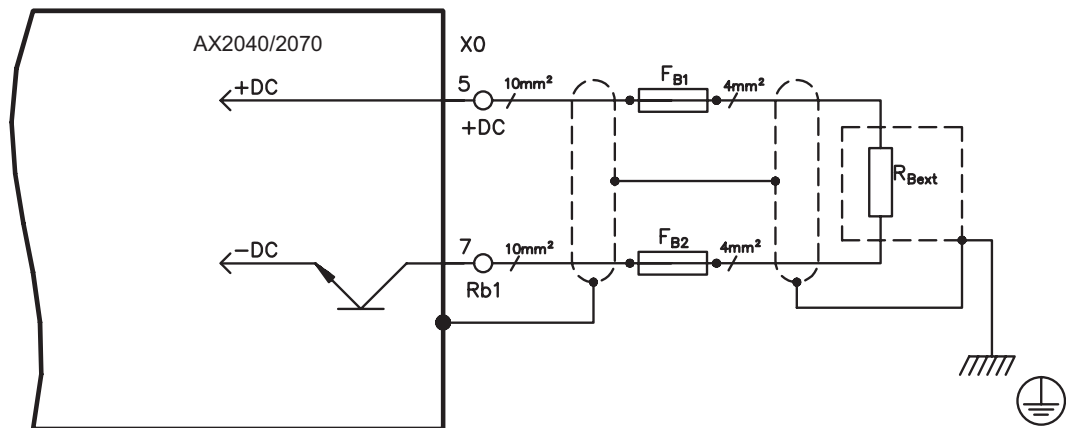
8.9 Motor connection with brake (X0, X4)

Cable cross section see motor documentation.



8.10 External regen resistor (X0)

Fusing and regen resistor provided by the user



8.11 Feedback

Every closed servo system will normally require at least one feedback device for sending actual values from the motor to the servo drive. Depending on the type of feedback device used, information will be fed back to the servo amplifier using digital or analog means.

AX2040/2070 supports the most common types of feedback device whose functions must be assigned with the parameters

- FBTYPE** (screen page FEEDBACK), primary Feedback
- EXTPOS** (screen page POSITION), secondary Feedback
- GEARMODE** (screen page GEARING), secondary Feedback

in the setup software. Scaling and other settings must always be made here.

Configuration	Location	ASCII Parameter	Commu- tation	Speed control	Position- control	electr. gearing
One Feedback	motor	FBTYPE	X	X	X	
Two Feedbacks	motor	FBTYPE	X	X		
	externally	EXTPOS			X	
		GEARMODE				X

For a detailed description of the ASCII parameters, please refer to the online help of the setup software.

The table below provides an overview of the supported feedback types, their corresponding parameters and a reference to the relevant connection diagram in each case. On each of these, the pin assignment shown on the encoder side relates to the BECKHOFF motors.

Primary feedback type	Connector	Wiring diagram	FBTYPE
Resolver	X2	⇒ p.50	0, 3
SinCos Encoder BISS	X1	⇒ p.51	20*
SinCos Encoder ENDAT	X1	⇒ p.52	3, 4
SinCos Encoder HIPERFACE	X1	⇒ p.52	2, 3
SinCos Encoder w/o data channel	X1	⇒ p.53	6, 7 (16*)
SinCos Encoder + Hall	X1	⇒ p.54	11*
RS422 5V + Hall	X1	⇒ p.54	12*
RS422 5V	X5	⇒ p.55	8*, 9*
Sensorless (w/o feedback)	-	-	10*

* Can only be set on the terminal screen of the setup software

** RS422 means "incremental encoder AquadB".



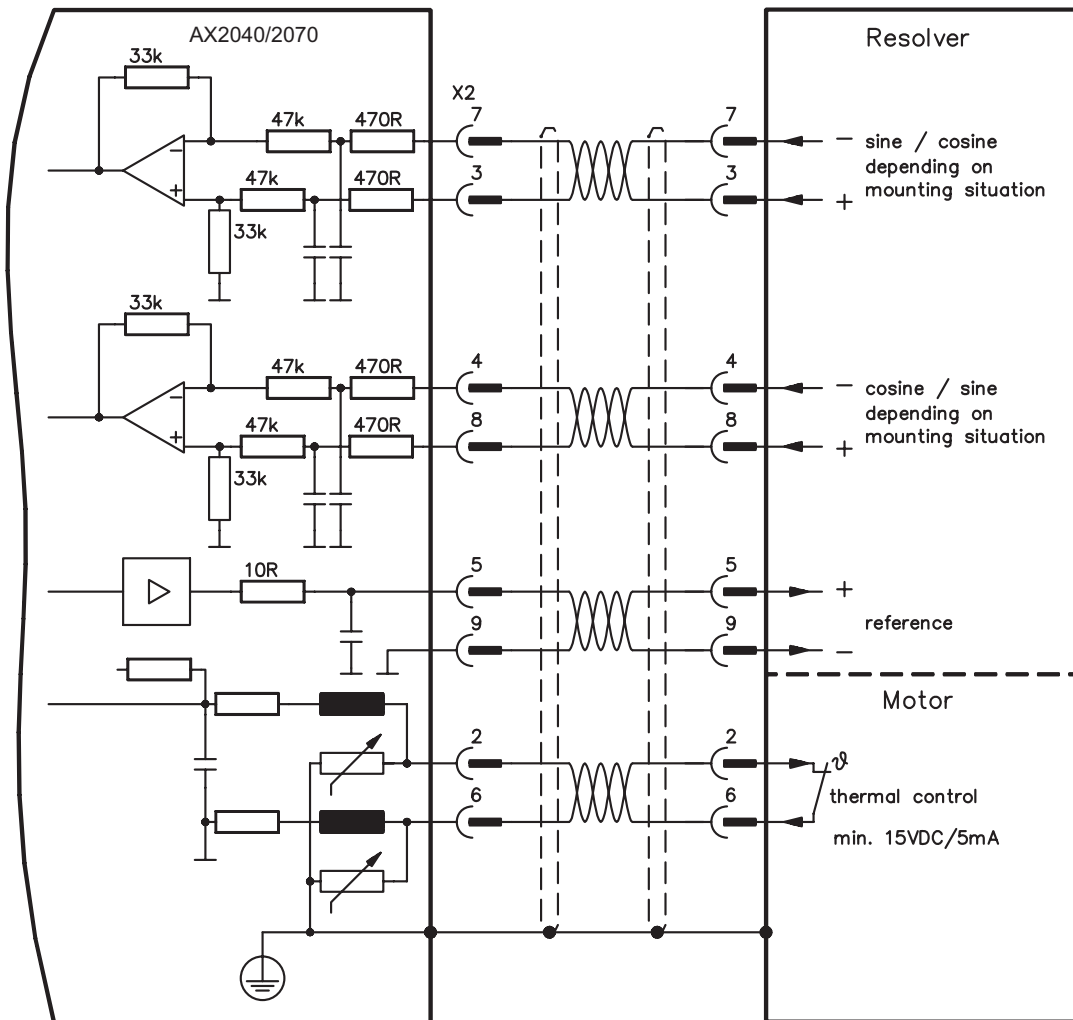
Hints for combining primary with secondary feedback systems for position control/electr. gearing can be found from page 56.

8.11.1 Resolver (X2)

Connection of a Resolver (2 to 36-poles) as a feedback system. The thermostat contact in the motor is connected via the resolver cable to the AX20 and evaluated there.

If cable lengths of more than 100 m are planned, please contact our customer service .

FBTYP E 0, 3



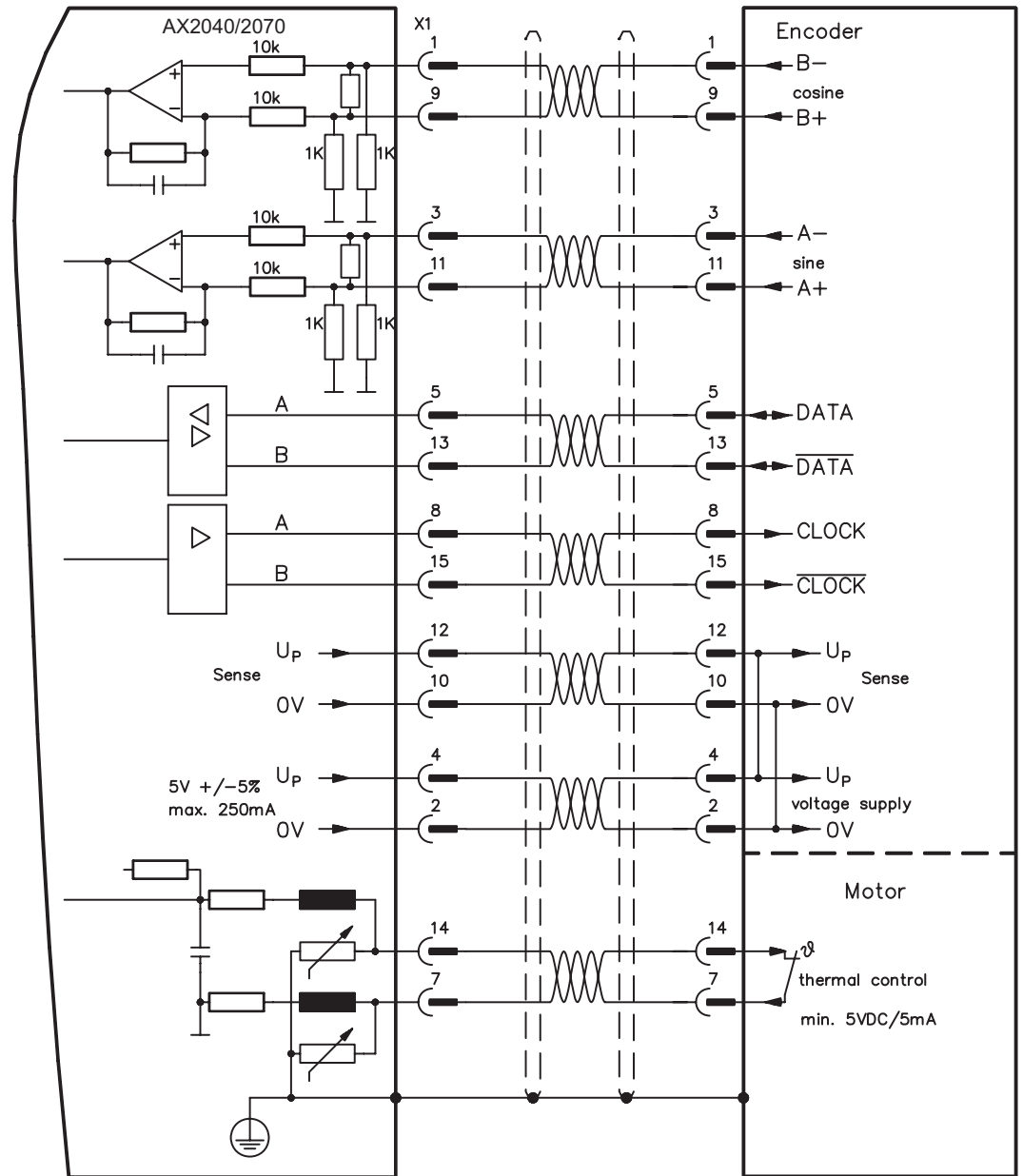
8.11.2 Sine encoder with BISS (X1)

Wiring of a single-turn or multi-turn sine-cosine encoder with BISS interface as a feedback system (firmware revision from 6.68). During start-up of the servo amplifier the parameters stored in the encoder eeprom are uploaded, after that phase only the sine/cosine signals are used.

The thermostat contact in the motor is connected via the encoder cable to X1 and evaluated there. All signals are connected using our pre-assembled encoder connection cable.

If cable lengths of more than 50m are planned, please consult our customer service.

Frequency limit (sin, cos): 250 kHz
FBTYPE 20



8.11.3 Sine Encoder with EnDat 2.1 or HIPERFACE (X1)

Connection of a single-turn or multiturn sine-cosine encoder. Preferred types are ECN1313 and EQN1325.

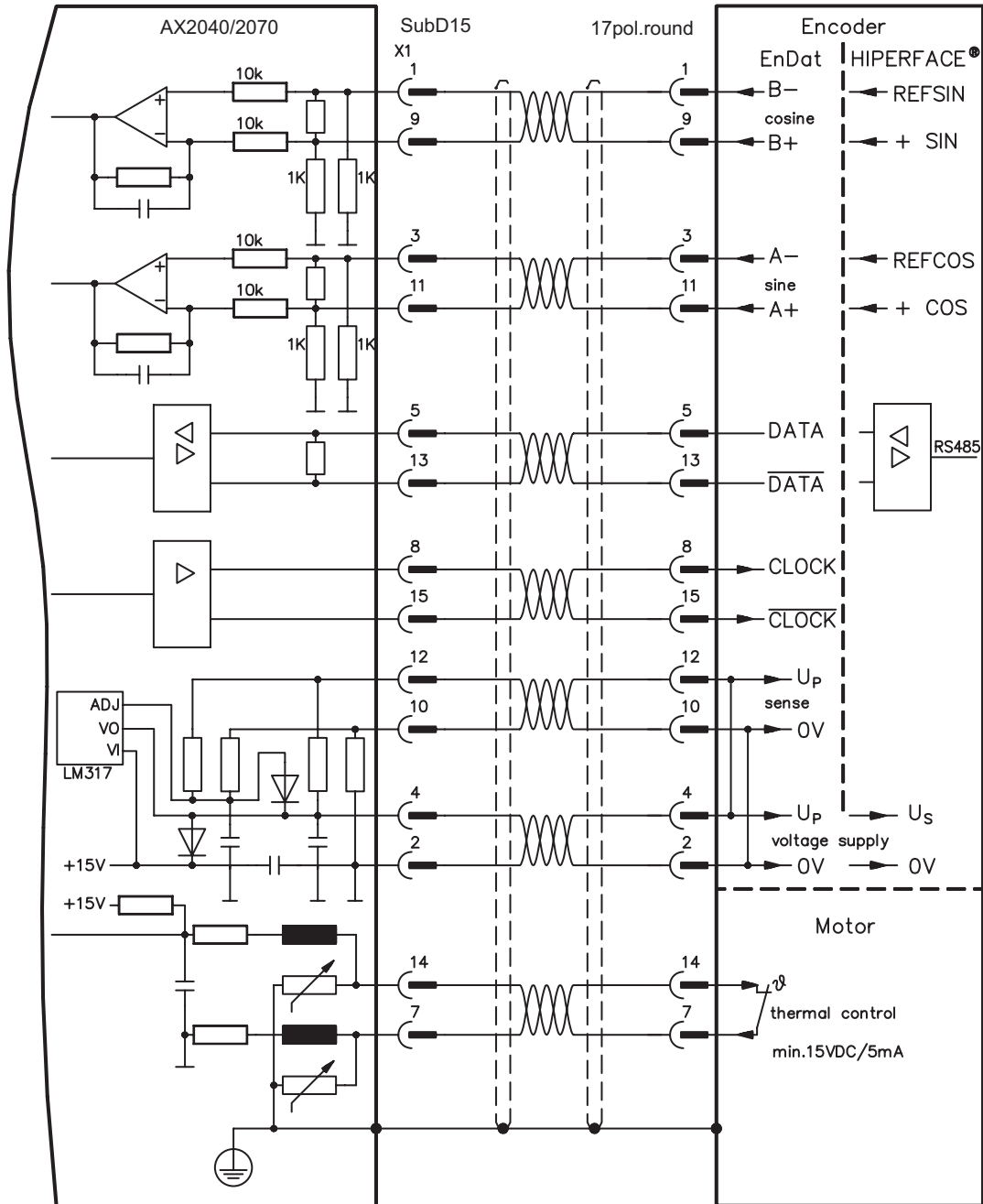
The thermostat contact in the motor is connected via the resolver cable to the AX20 and evaluated there. All signals are connected using our pre-assembled encoder connection cable.

If cable lengths of more than 50 m are planned, please consult our customer service.

Frequency limit (sin, cos): 250 kHz

Encoder with EnDat: FBTYPE 3, 4

Encoder with HIPERFACE: FBTYPE 2, 3



8.11.4 Sine Encoder without data channel (X1)

Connection of a sine-cosine encoder without data channel as feedback unit. Every time the 24V auxiliary voltage is switched on, the amplifier needs start-up information for the position controller (parameter value MPHASE). Depending on the feedback type either wake&shake is executed or the value for MPHASE is read out of the amplifier's EEPROM.

The thermostat contact in the motor is connected via the encoder cable to X1 and evaluated there.

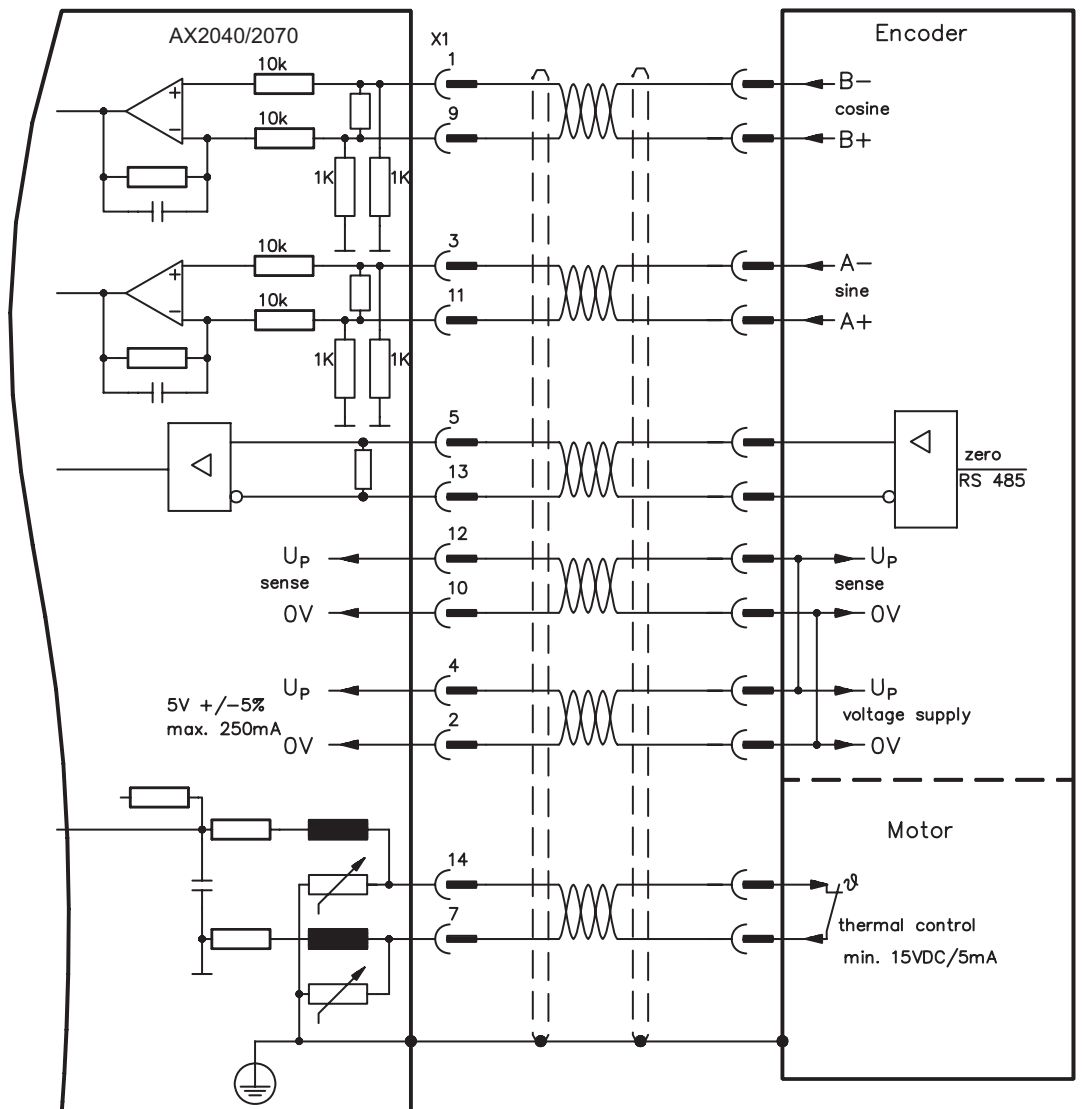
If lead lengths of more than 50 m are planned, please consult our customer service.

Frequency limit (sin, cos): 250 kHz

Encoder type	FATYPE	Remarks
SinCos 5V	6	MPHASE from EEPROM
SinCos 5V	7	MPHASE with wake & shake
Resolver+SinCos5V	16	Commutation with Resolver, speed&position with Encoder



Don't use this feedback type with vertical load (hanging load).



8.11.5 Incremental or sine encoder with hall sensors (X1)

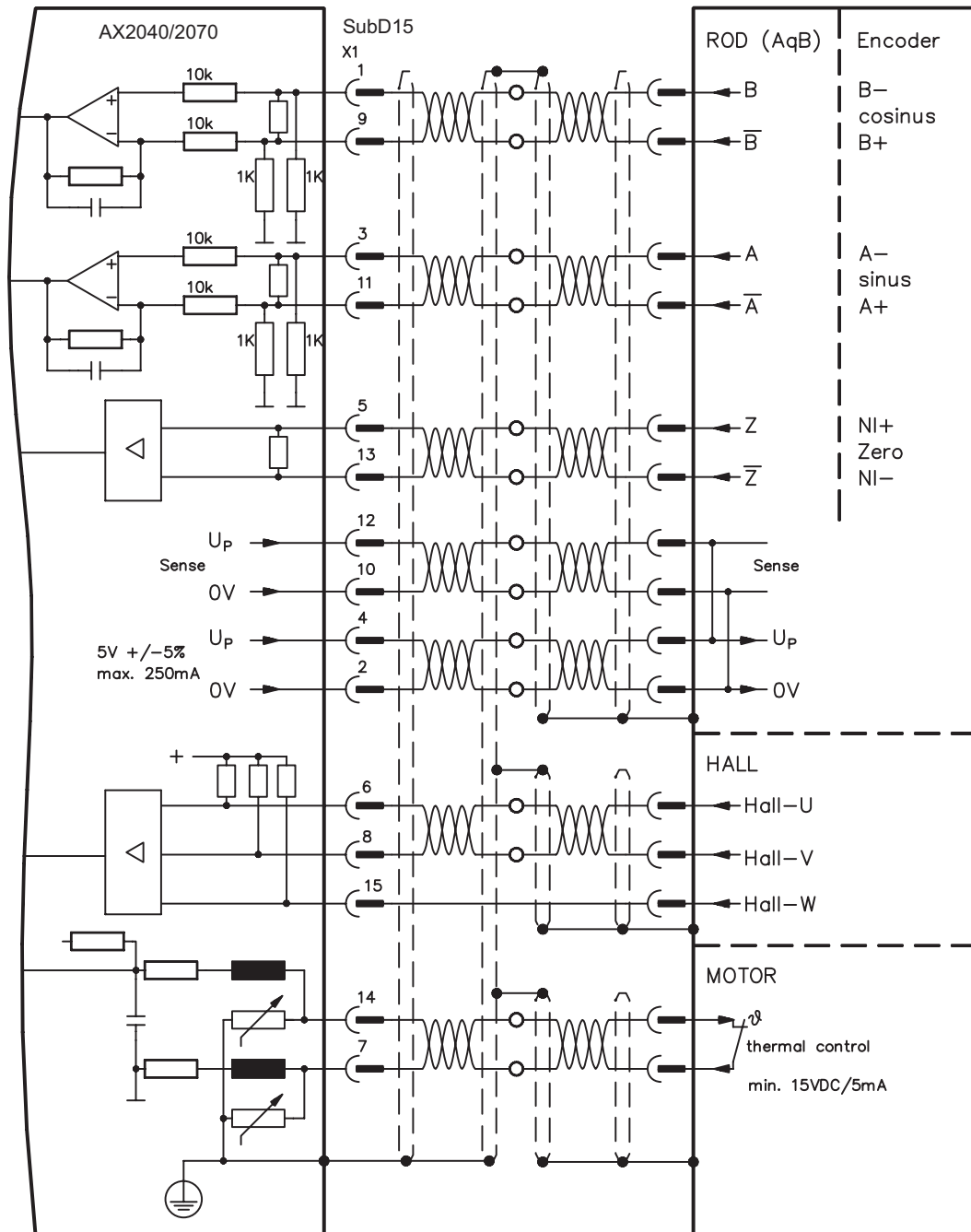
Feedback devices (incremental or sine-cosine), which don't deliver an absolute information for commutation, can be used as complete feedback system combined with an additional Hall encoder. All signals are connected to X1.

If cable lengths of more than 25 m are planned, please consult our customer service.

Frequency limit (A, B): 250 kHz

RS422 with Hall: FBTYPE 12

Encoder with Hall: FBTYPE 11



8.11.6 Incremental Encoder (X5)

An incremental encoder can be used as standard motor feedback.

Every time the 24V auxiliary voltage is switched on, the amplifier needs start-up information for the position controller (parameter value MPHASE). Depending on the feedback type either wake&shake is executed or the value for MPHASE is read out of the amplifier's EEPROM.

The thermostat contact in the motor is connected to X1 (see p.52) or X2 (see p.50).

If lead lengths of more than 50 m are planned and for questions concerning the power supply of the encoder, please consult our customer service.



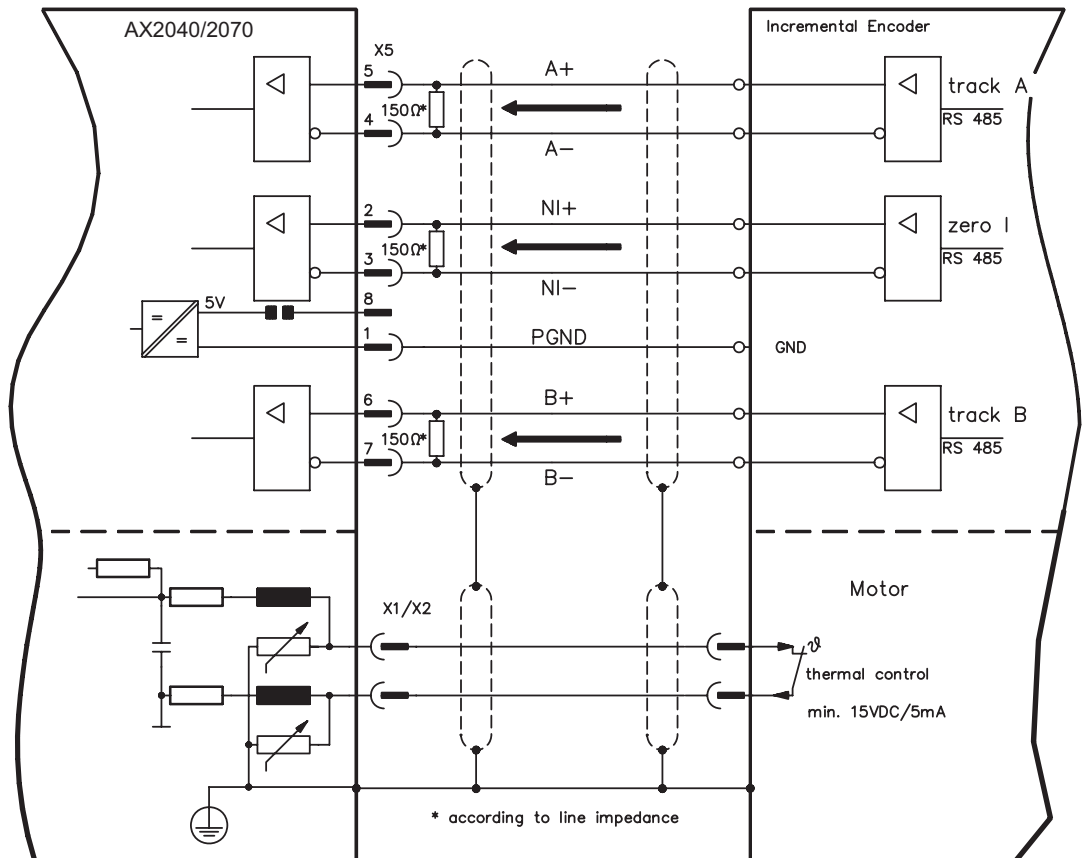
AGND and DGND (connector X3) must be joined together !

Frequency limit: 1.5 MHz

Encoder type	FBTYPE	Remarks
RS422 5V	9	MPHASE from EEPROM
RS422 5V	8	MPHASE with wake & shake



Don't use this feedback type with vertical load (hanging load).



8.12 Electronic Gearing, Master-slave operation

In the case of the “electronic gearing” functionality (see setup software and description of GEAR-MODE parameter), the servo amplifier is controlled by a secondary feedback device as a slave. It is possible to set up master/slave systems, use an external encoder as a setpoint encoder or connect the amplifier to a stepper motor control.

The amplifier is parameterized using the setup software (electronic gearing).

Primary Feedback: adjust on screen page "Feedback" (FBTYPE)

Secondary Feedback: adjust on screen pages "Position" and "Gearing" (EXTPOS, GEARMODE)

Master-/Slave adjustment

Master: adjust encoder emulation on screen page "ROD/SSI/Encoder" (ENCMODE)

Slave: adjust on screen pages "Position" and "Gearing" (EXTPOS, GEARMODE)

The following types of external encoder can be used:

Secondary Feedback type	Connector	Wiring diagram	GEARMODE
Incremental Encoder 5V	X5	⇒ p.57	3, 5*, 13*, 15*
Incremental Encoder 24V	X3	⇒ p.57	0, 2*, 10*, 12*
Sine/Cosine Encoder	X1	⇒ p.58	6, 8*, 9*, 16*
SSI Encoder	X5	⇒ p.59	7*, 17*
Pulse and Direction 5V	X5	⇒ p.60	4, 14*
Pulse and Direction 24V	X3	⇒ p.60	1, 11*

* adjustable via terminal screen of the setup software

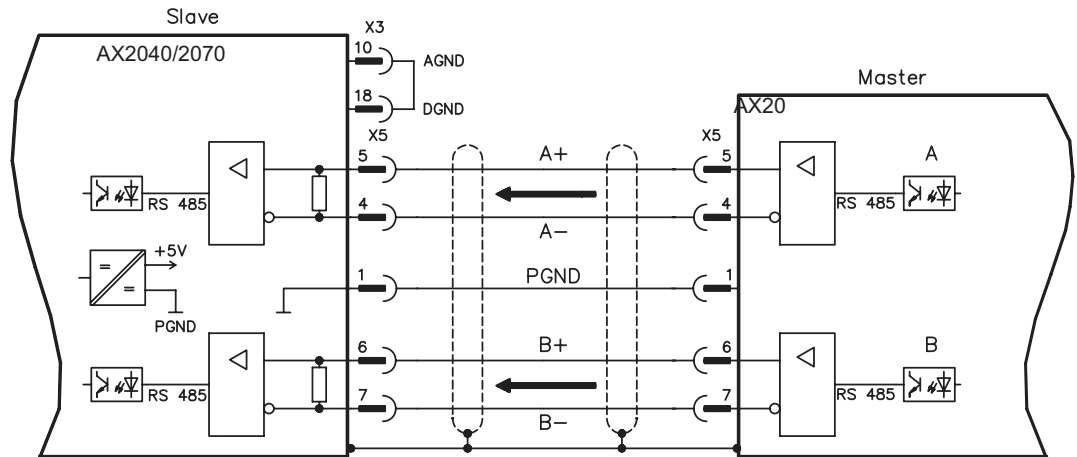
The following table shows the allowed feedback combinations:

Primary Feedback	Secondary Feedback for Position control/Following			
	Sine Encoder (X1)	Increment. Encoder 5V/24V (X5/X3)	Pulse&Direct. 5V/24V (X5/X3)	SSI Encoder (X5)
Resolver (X2) FBTYPE = 0	EXTPOS = 1,2,3 GEARMODE = 6,8,9,16 FPGA = 0 ENCMODE = 0	EXTPOS = 1,2,3 GEARMODE = 0,2,3,5,10,12,13,15 FPGA = 0 ENCMODE = 0	EXTPOS = 1,2,3 GEARMODE = 1,4,11,14 FPGA = 0 ENCMODE = 0	EXTPOS = 1,2,3 GEARMODE = 7,17 FPGA = 1 ENCMODE = 2
Sine Encoder (X1) FBTYPE = 2,4,6,7,20	-	EXTPOS = 1,2,3 GEARMODE = 0,2,3,5,10,12,13,15 FPGA = 1 ENCMODE = 0	EXTPOS = 1,2,3 GEARMODE = 1,4,11,14 FPGA = 1 ENCMODE = 0	EXTPOS = 1,2,3 GEARMODE = 7,17 FPGA = 1 ENCMODE = 2
Encoder & Hall (X1) FBTYPE = 11,12	-	EXTPOS = 1,2,3 GEARMODE = 0,2,3,5,10,12,13,15 FPGA = 1 ENCMODE = 0	EXTPOS = 1,2,3 GEARMODE = 1,4,11,14 FPGA = 1 ENCMODE = 0	-
RS422 Encoder (X5) FBTYPE = 8,9	-	-	-	-
Sensorless FBTYPE = 10	-	EXTPOS = 1,2,3 GEARMODE = 0,2,3,5,10,12,13,15 FPGA = 0 ENCMODE = 0	EXTPOS = 1,2,3 GEARMODE = 1,4,11,14 FPGA = 0 ENCMODE = 0	EXTPOS = 1,2,3 GEARMODE = 7,17 FPGA = 1 ENCMODE = 2

8.12.1 Connection to a AX20 master, 5 V signal level (X5)

You can link several AX20 amplifiers together in master-slave operation. Up to 16 slave amplifiers can be controlled by the master via the encoder output. The connector X5 must be used.

Frequency limit: 1.5 MHz, slew rate $t_v \leq 0,1 \mu s$

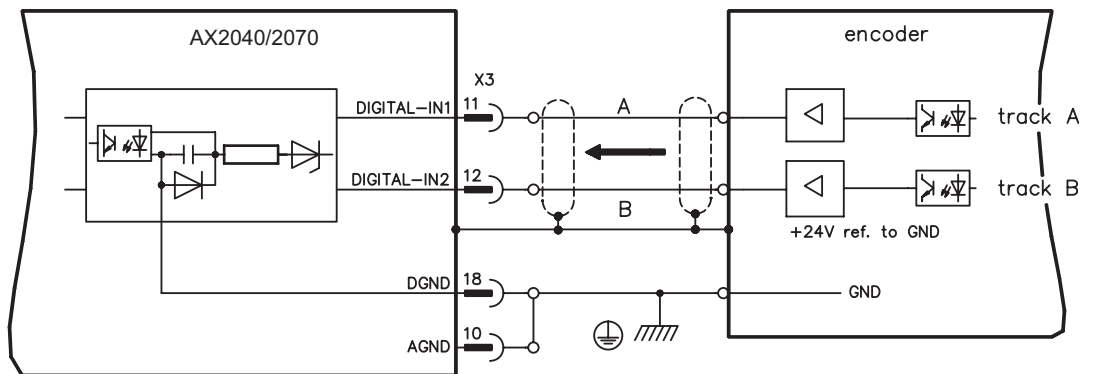


AGND and DGND (connector X3) must be joined together !

8.12.2 Connection to incremental encoder master with 24 V signal level (X3)

This interface can be used to operate the AX2040/2070 as a slave, mastered by an encoder with 24 V signal level (master-slave operation). The digital inputs DIGITAL-IN 1 and 2 at connector X3 must be used.

Frequency limit: 250 kHz, slew rate $t_v \leq 0.1 \mu s$



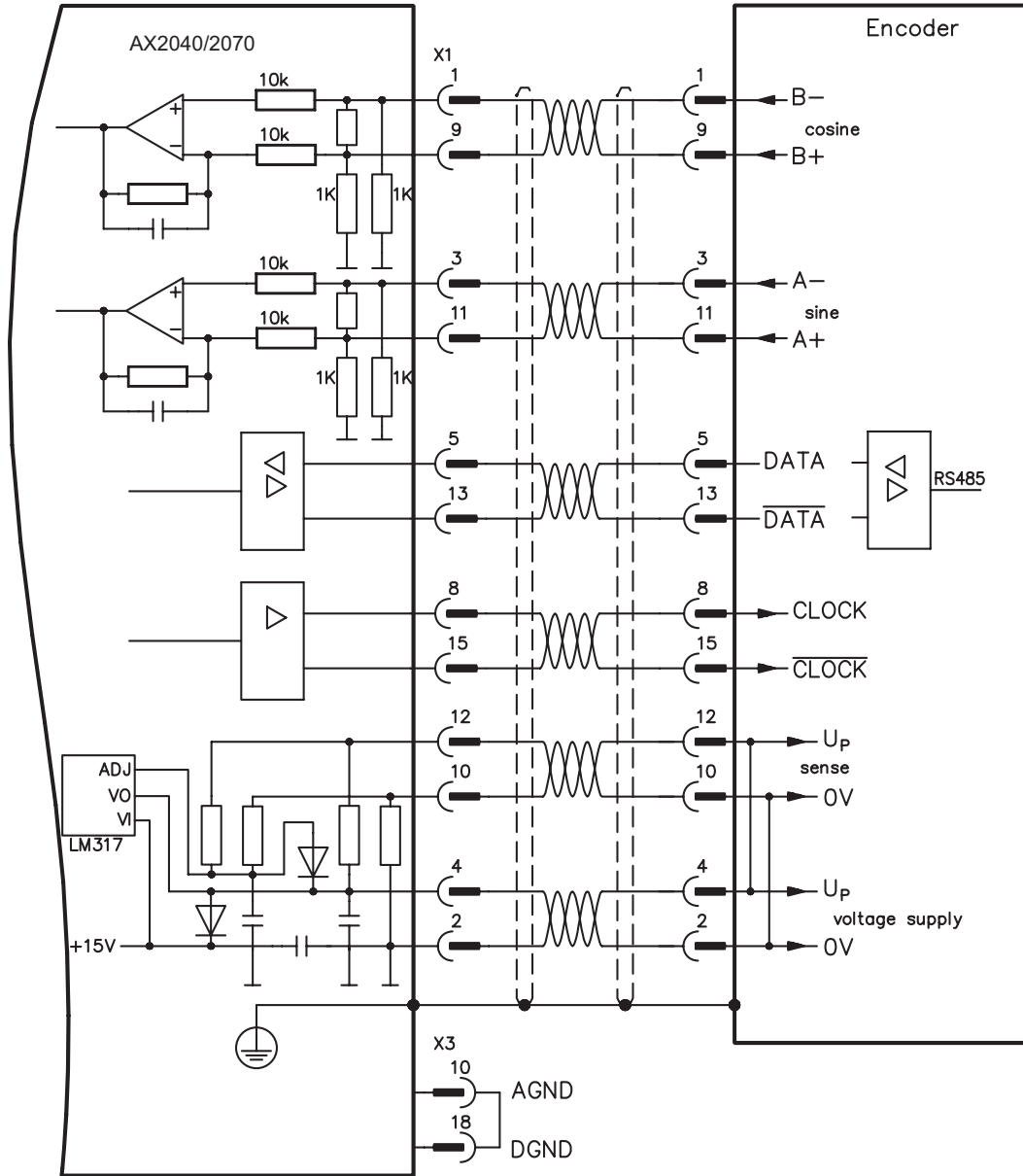
AGND and DGND (connector X3) must be joined together !

8.12.3 Connection to a sine-cosine encoder master (X1)

You can operate the AX2040/2070 as a slave, mastered by a sine-cosine encoder (master-slave operation). The connector X1 must be used.

If cable lengths of more than 25 m are planned, please consult our customer service.

Frequency limit: 250 kHz



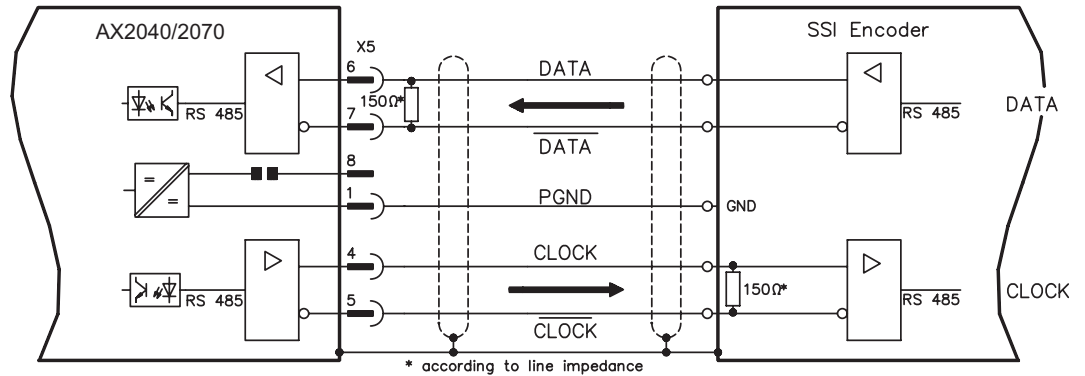
AGND and DGND (connector X3) must be joined together!



8.12.4 Connection to a SSI encoder (X5)

You can set up the AX2040/2070 as a slave following a synchronous serial absolute-encoder (master-slave operation). This application uses the SubD connector X5. If lead lengths of more than 50 m are planned and for questions concerning the power supply of the encoder, please consult our customer service.

Frequency limit: 1.5MHz



AGND and DGND (connector X3) must be joined together!

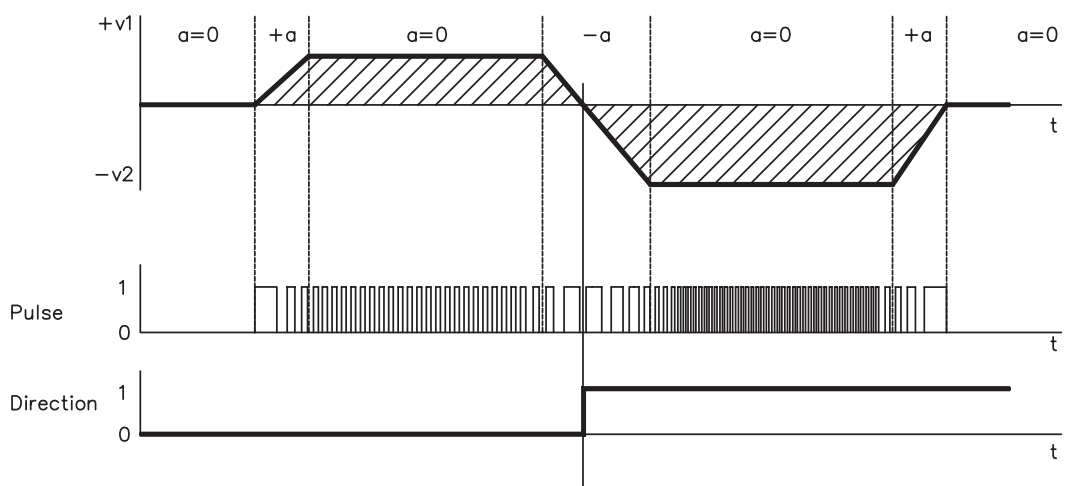
8.12.5 Connection to stepper-motor controllers (step and direction)

This interface can be used to connect the servo amplifier to a third-party stepper-motor controller. The parameters for the servo amplifier are set up with the aid of the setup software (electrical gearing). The number of steps can be adjusted, so that the servo amplifier can be adjusted to the pulse-direction signals of any stepper-motor controller. Various monitoring signals can be output.



Observe the frequency limit!
Using an A quad B encoder provides better EMC noise immunity.

Speed profile and signal diagram



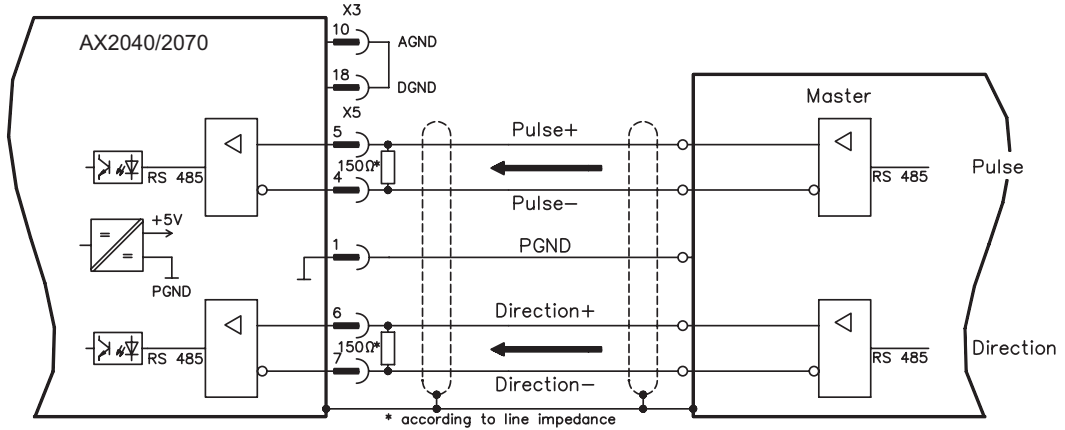
Equivalences
 path traversed s ——— number of pulses
 velocity v ——— pulse frequency
 acceleration a ——— rate of change of pulse frequency

8.12.5.1 Step/Direction with 5 V signal level (X5)

This interface can be used to connect the servo amplifier to a stepper-motor controller with 5 V signal level. The connector X5 must be used.
 Frequency limit: 1.5 MHz



AGND and DGND (connector X3) must be joined together !

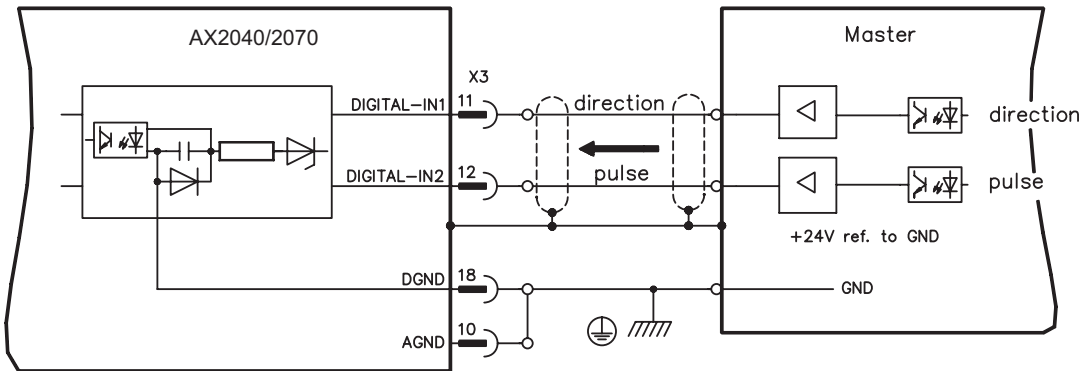


8.12.5.2 Step/Direction with 24 V signal level (X3)

This interface can be used to connect the servo amplifier to a stepper-motor controller with 24 V signal level. The digital inputs DIGITAL-IN 1 and 2 at connector X3 must be used.
 Frequency limit: 250 kHz



AGND and DGND (connector X3) must be joined together!



8.13 Encoder emulations

8.13.1 Incremental encoder output - A quad B (X5)

The incremental-encoder interface is part of the package supplied. Select the encoder function ROD (screen page "Encoder"). In the servo amplifier, the position of the motor shaft is calculated from the cyclic-absolute signals of the resolver or encoder. Incremental-encoder compatible pulses are generated from this information. Pulses are output on the SubD-connector X5 as two signals, A and B, with 90° phase difference and a zero pulse.

The resolution (lines before quadrature) can be changed with the RESOLUTION parameter:

Encoder function (ENCMODE)	Feedback system	Resolution	Zero position
ROD (1)	Resolver	256...4096	one per revolution (only if A=B=1)
	Encoder	256...524288 (2 ⁸ ... 2 ¹⁹)	one per revolution (only if A=B=1)
ROD interpolation (3)	Encoder	2 ² ...2 ⁷ TTL lines per sine line	analog pass through from X1 to X5

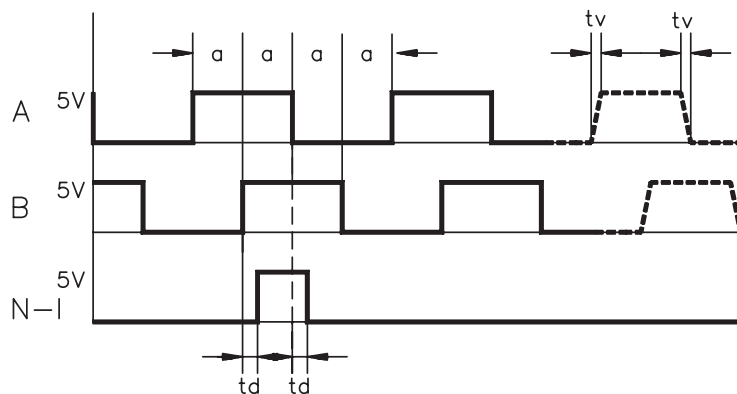
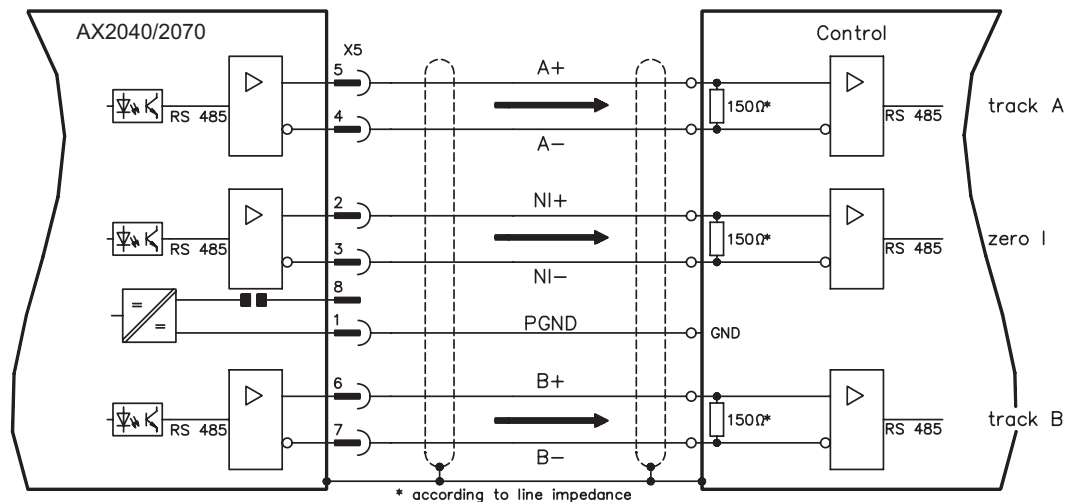
You can also adjust and store the position of the zero pulse within one mechanical turn (parameter NI-OFFSET).



The drivers are supplied from an internal supply voltage. PGND must always be connected to the controls. The max. admissible cable length is 10 m.

Connections and signal description for incremental-encoder interface :

The count direction is upwards when the motor shaft is rotating clockwise (looking at the shaft end).



Edge spacing $a \geq 0,20 \mu s$
 Edge steepness $t_v \leq 0,1 \mu s$
 Delay N-I $t_d \leq 0,1 \mu s$
 $I_{\Delta U} \geq 2V/20mA$

8.13.2 SSI output (X5)

The SSI interface (synchronous serial absolute-encoder simulation) is part of the delivered package. Select the encoder function SSI (screen page “Encoder”). In the servo amplifier, the position of the motor shaft is calculated from the cyclically absolute signals from the resolver or encoder. This information is used to create a position output in a format that is compatible with the standard SSI-absolute-encoder format. 24 bits are transmitted.

SINGLE TURN selected: The upper 12 bits are fixed to ZERO, the lower 12 bits contain the position information. For 2-pole resolvers, the position value refers to the position within one turn of the motor, for 4-pole resolvers it is within half a turn, and for 6-pole resolvers it is within a third of a turn.
Exception: If an encoder with a commutation track is used as the feedback unit, then the upper 12 bits are set to 1 (data invalid!) until a homing run is performed.

MULTI TURN selected: The upper 12 bits contain the number of motor turns, the lower 12 bits contain the position information.

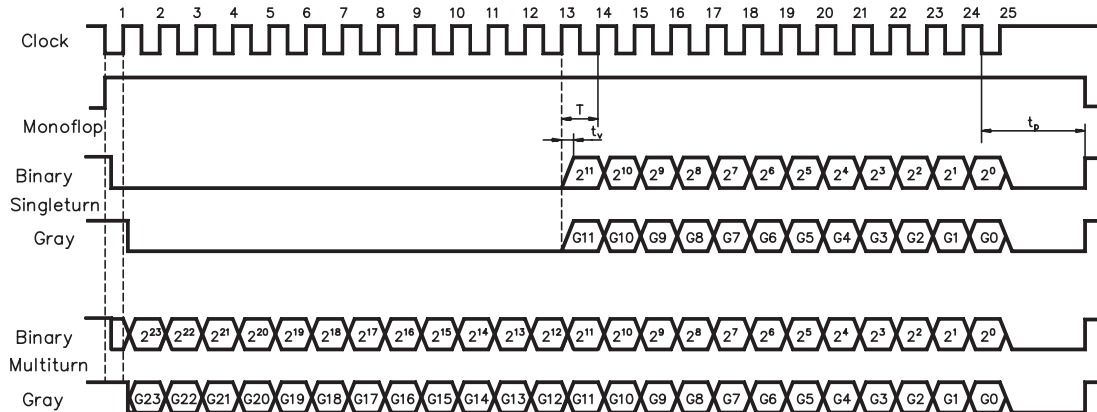
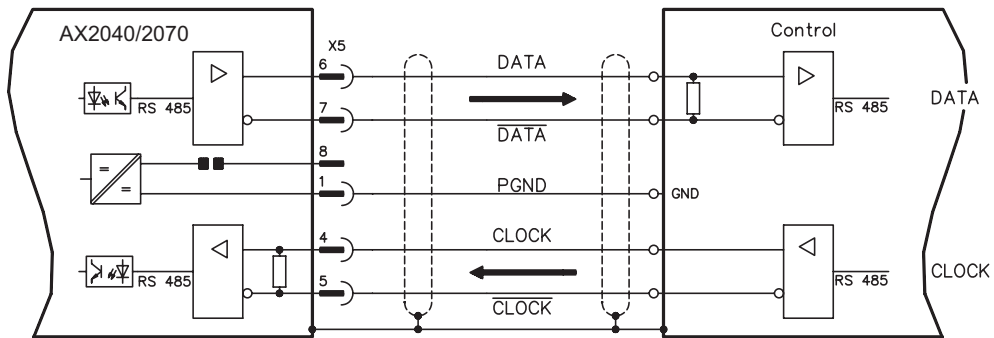
The signal sequence can be output in **Gray** code (standard) or in **binary** code (parameter SSI-CODE). The servo amplifier can be adjusted to the clock frequency of your SSI-evaluation with the SSI-CLOCK parameter (cycle time 200 kHz or 1.5 MHz and inverted).



The drivers are supplied from internal supply voltage. PGND must always be connected.

Connection and signal description for SSI interface :

The count direction is upwards when the motor shaft is rotating clockwise (looking at the shaft end).



Transfer bit rate	Monoflop stabilize time
200 KBaud	$t_p \approx 13\mu s$
1,5 MBaud	$t_p \approx 3\mu s$

Switch over time Data $t_v \leq 300nsec$
 Period $T = 600 ns$
 Output $I_{\Delta U} \geq 2V/20mA$
 Input $I_{\Delta U} \geq 0,3V$

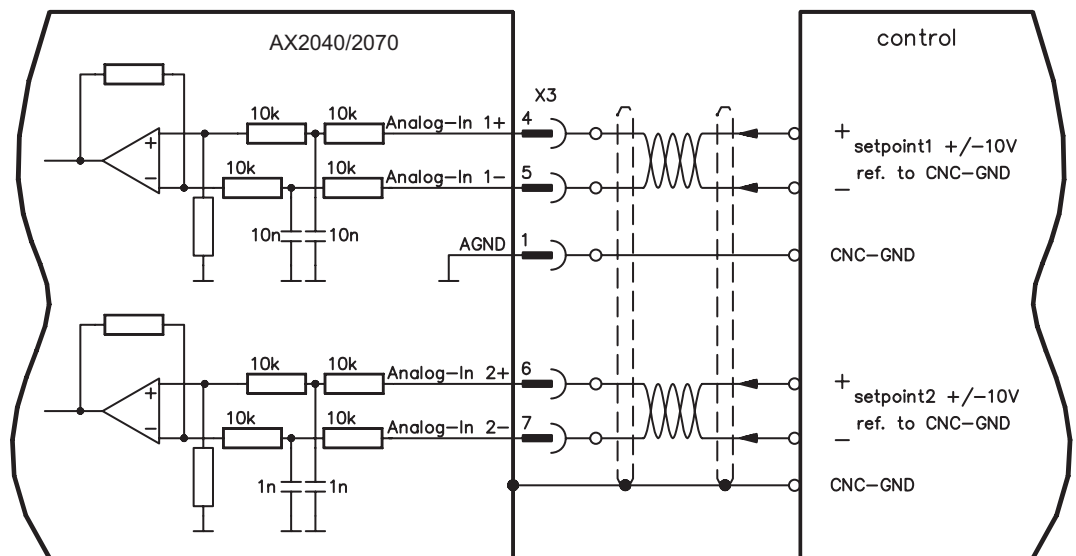
8.14 Digital and analog inputs and outputs

8.14.1 Analog inputs (X3)

The servo amplifier is equipped with two differential inputs for analog setpoints which are **programmable**. AGND (X3/1) must always be joined to the CNC-GND of the controls as a ground reference.

Technical characteristics

- Differential-input voltage max. ± 10 V
- Resolution 1.25 mV
- Ground reference : AGND, terminal X3/1
- Input resistance 20 k Ω
- Common-mode voltage range for both inputs ± 10 V
- Update rate 62.5 μ s



Input Analog-In1 (terminals X3/4-5)

Differential input voltage max. ± 10 V, resolution 14-bit, scalable
Standard setting : speed setpoint

Input Analog-In2 (terminals X3/6-7)

Differential input voltage max. ± 10 V, resolution 12-bit, scalable
Standard setting : torque setpoint

Application examples for setpoint input Analog-In2:

- adjustable external current limit
- reduced-sensitivity input for setting-up/jog operation
- pre-control / override

Fixing the direction of rotation

Standard setting : clockwise rotation of the motor shaft (looking at the shaft end)

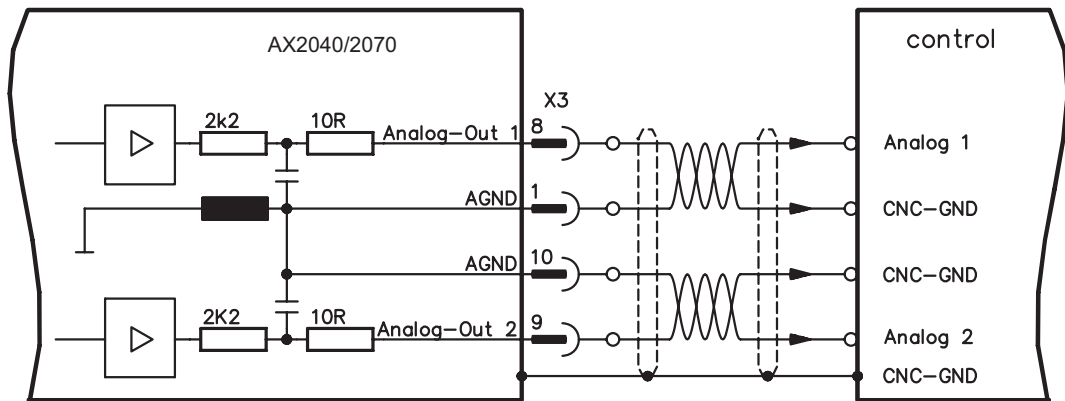
- Positive voltage between terminal X3/4 (+) and terminal X3/5 (-) or
- Positive voltage between terminal X3/6 (+) and terminal X3/7 (-)

To reverse the direction of rotation, swap the connections to terminals X3/4-5 and X3/6-7 or change the ROT. DIRECTION parameter in the "Speed controller" screen.

8.14.2 Analog outputs (X3)

Technical characteristics

- Reference ground is analog-GND (AGND, terminal X3/1 and X3/10)
- Output resistance : 2.2 k Ω
- Output voltage ± 10 V
- Resolution : 10 bit.
- Update rate 62.5 μ s



Programmable analog outputs Analog-Out 1 / Analog-Out 2

The terminals X3/8 (Analog-Out 1) or X3/9 (Analog-Out 2) can have the following analog signals assigned to them:

Standard setting :

Analog-Out 1 : Tachometer voltage n_{act} (speed)

The output delivers ± 10 V at the preset limit speed.

Analog-Out 2 : Current actual value I_{act} (torque)

The output delivers ± 10 V at the preset peak current (effective r.m.s. value).

You can use the terminals X3/8 (Analog-Out 1) or X3/9 (Analog-Out 2) to output converted analog values for digital measurements which are contained in the servo amplifier.

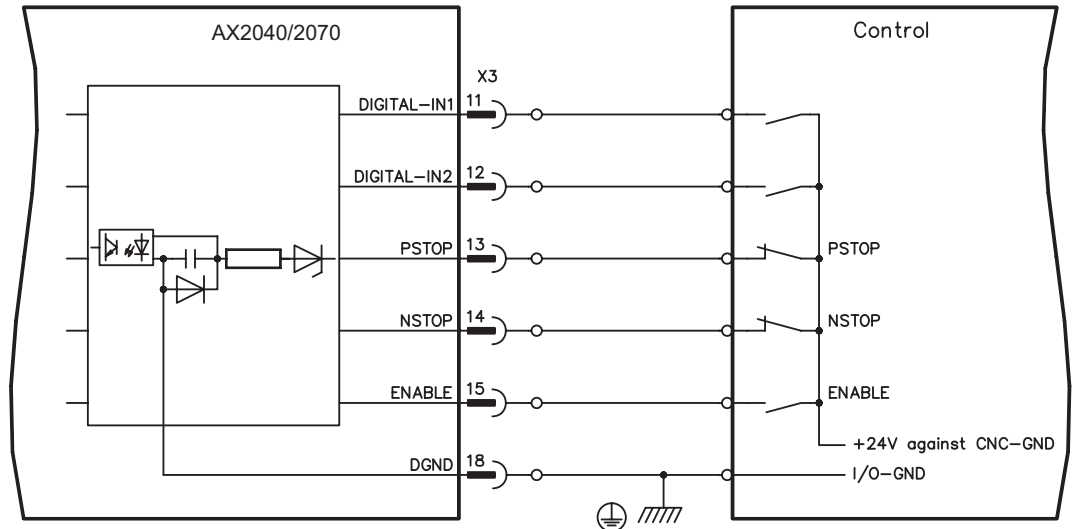
You can find a list of pre-programmed functions on the "analog I/O" screen of our setup software.

8.14.3 Digital inputs (X3)

All digital inputs are **electrically isolated** through optocouplers.

Technical characteristics

- Reference ground is **Digital-GND** (DGND, terminal X3/18)
- Inputs at X3 meet PLC standards (IEC 61131-2 Typ 1)
- High: 11...30 V / 2...11 mA, Low -3...+5 V / <1 mA
- Update rate: 250 μ s



ENABLE input

The output stage of the servo amplifier is activated by the enable signal (terminal X3/15, input 24 V, **active-high**).

In the inhibited state (low signal) the motor which is attached does not have any torque.

Programmable digital inputs :

You can use the digital inputs PSTOP / NSTOP / DIGITAL-IN1 and DIGITAL-IN2 to initiate preprogrammed functions that are stored in the servo amplifier.

You can find a list of pre-programmed functions on the "digital I/O" screen of our setup software. If an input is freshly assigned to a pre-programmed function, then the data set must be stored in the EEPROM of the servo amplifier, and the 24 V auxiliary supply of the servo amplifier must be switched off and on again (to reset the amplifier software).

Limit-switches PSTOP / NSTOP

Terminals X3/13 and X3/14 are normally programmed for the connection of limit switches. If these inputs are not needed for the connection of limit switches, then they are programmable for other input functions.

Limit-switch positive/negative (**PSTOP / NSTOP**, terminals X3/13 and X3/14), high level in normal operation (fail-safe for a cable break).

A low signal (open) inhibits the corresponding direction of rotation, **the ramp function remains effective**.

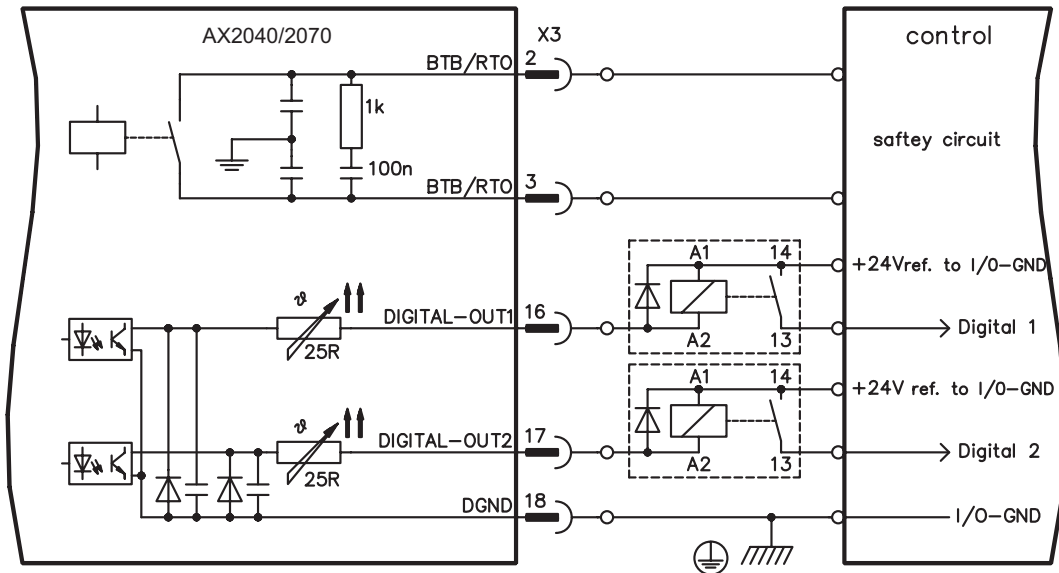
DIGITAL-IN 1 / DIGITAL-IN 2

The digital inputs on terminals X3/11 (DIGITAL-IN 1) or terminal X3/12 (DIGITAL-IN 2) can be logically combined in a pre-programmable function.

8.14.4 Digital outputs (X3)

Technical characteristics

- Reference ground is digital-GND (DGND, terminal X3/18)
- All digital outputs are floating
- DIGITAL-OUT1 and 2: Open-collector, max. 30 VDC, 10 mA
- BTB/RTO: Relay output, max. 30 VDC or 42 VAC, 0.5 A
- Update rate: 250 μ s



Ready-to-operate contact BTB/RTO

Operational readiness (terminals X3/2 and X3/3) is signalled by a **floating** relay contact. The contact is **closed** when the servo amplifier is ready for operation, the signal is **not** influenced by the enable signal, the I²t-limit, or the regen threshold.



All faults cause the BTB/RTO contact to open and the switch-off of the output stage (if the BTB contact is open, the output stage is disabled -> no power). A list of the error messages can be found on page 92.

Programmable digital outputs DIGITAL-OUT 1 / 2:

You can use the digital outputs DIGITAL-OUT1 (terminal X3/16) and DIGITAL-OUT2 (terminal X3/17) to outputs messages from pre-programmed functions that are stored in the servo amplifier. You can find a list of pre-programmed functions on the "digital I/O" screen of our setup software.

If an input is freshly assigned to a pre-programmed function, then the data set must be stored in the EEPROM of the servo amplifier, and the 24 V auxiliary supply of the servo amplifier must be switched off and on again (to reset the amplifier software).

Evaluate the outputs via inverting interface relays (see connection diagram), for example Phoenix DEK-REL-24//1 (turn-on delay 6 ms, turn-off delay 16ms).



The described logic in the online help of the setup software refers to the output of the inverting interface relays. Consider the delay of the applied relay !

8.15 RS232 interface, PC connection (X6)

The setting of the operating, position control, and motion-block parameters, can be carried out on an ordinary commercial PC.

Connect the PC interface (X6) of the servo amplifier **while the supply to the equipment is switched off** via a normal commercial 3-core null-modem cable to a serial interface on the PC.

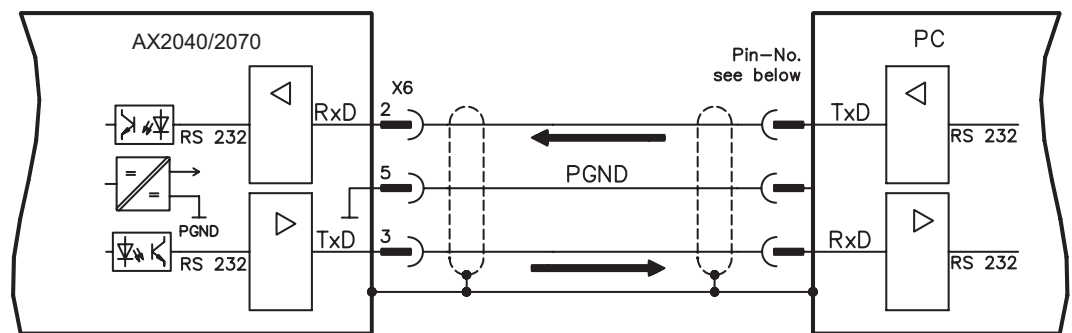


Do not use a null-modem link cable!

The interface is electrically isolated through an optocoupler, and is at the same potential as the CANopen interface.

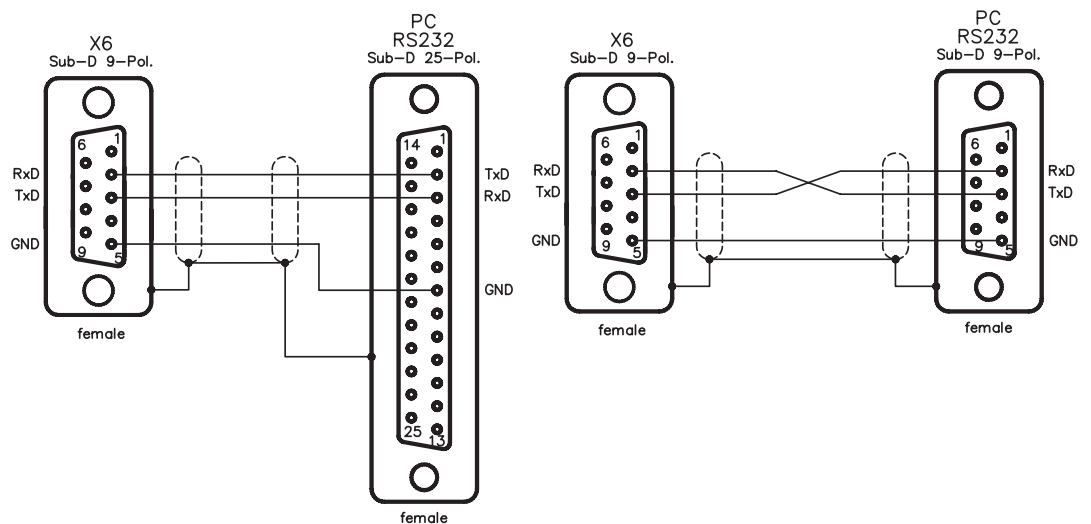
The interface is selected and set up in the setup software.
Further notes can be found on page 76.

With the optional expansion card -2CAN- the two interfaces for RS232 and CAN, which otherwise use the same connector X6, are separated onto two connectors (⇒ p. 106).



Interface cable between the PC and servo amplifiers of the AX2040/2070 series:

(View : looking at the face of the built-in SubD connectors, this corresponds to the solder side of the SubD sockets on the cable)



8.16 CANopen interface (X6)

The interface for connection to the CAN bus (default 500 kBaud). The integrated profile is based on the communication profile CANopen DS301 and the drive profile DSP402. The following functions are available in connection with the integrated position controller:

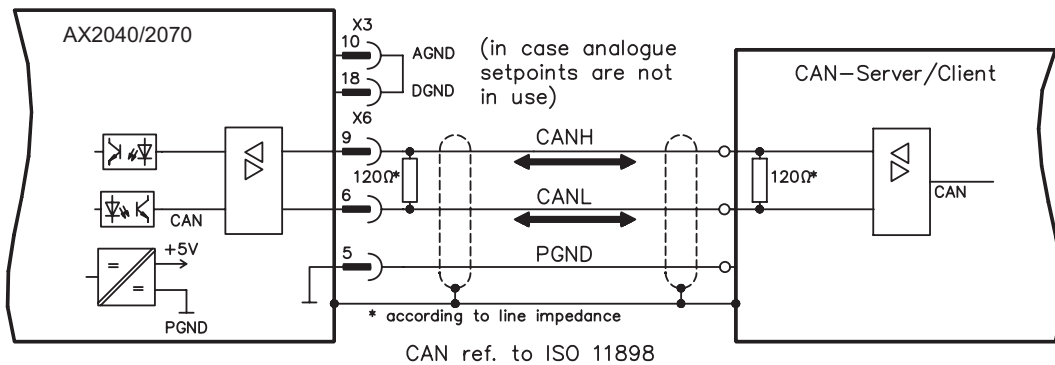
Jogging with variable speed, reference traverse (zeroing), start motion task, start direct task, digital setpoint provision, data transmission functions and many others.

Detailed information can be found in the CANopen manual. The interface is electrically isolated by optocouplers, and is at the same potential as the RS232 interface. The analog setpoint inputs can still be used.

With the optional expansion card -2CAN- the two interfaces for RS232 and CAN, which otherwise use the same connector X6, are separated onto two connectors (⇒ p. 106).



AGND and DGND (connector X3) must be joined together !



CAN bus cable

To meet ISO 11898 you should use a bus cable with a characteristic impedance of 120 Ω. The maximum usable cable length for reliable communication decreases with increasing transmission speed. As a guide, you can use the following values which we have measured, but they are not to be taken as assured limits:

Cable data:	Characteristic impedance	100-120 Ω
	Cable capacity	max. 60 nF/km
	Lead resistance (loop)	159.8 Ω/km

Cable length, depending on the transmission rate

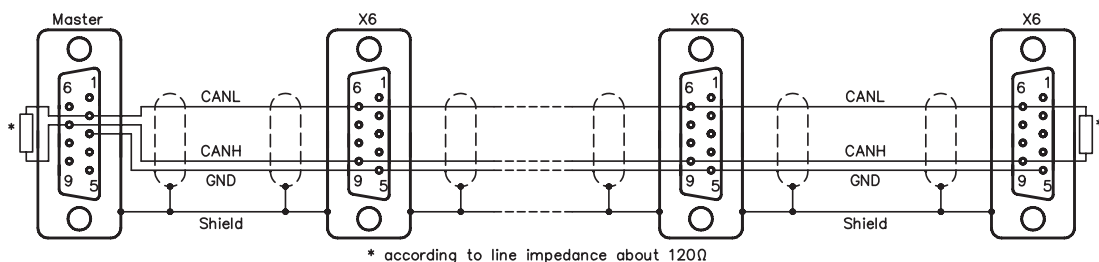
Transmission rate / kbaud	max. cable length / m
1000	20
500	70
250	115

Lower cable capacity (max. 30 nF/km) and lower lead resistance (loop, 115 Ω/km) make it possible to achieve greater distances.

(Characteristic impedance 150 ± 5 Ω ⇒ terminating resistor 150 ± 5 Ω).

For EMC reasons, the SubD connector housing must fulfil the following conditions:

- metal or metallized housing
- provision for cable shielding connection in housing, large-area connection



8.17 Restart lock -AS-

A frequently required application task is the protection of personnel against the restarting of drives. This can not be achieved by an electronic inhibit, but must be implemented with mechanical elements (positively driven relay contacts).

To get round this problem, up to now either the main contactor in the mains supply line was switched off, or another contactor was used to disconnect the motor from the servo amplifier.

The disadvantages of this method are :

- the DC bus link has to be charged up again at restart
- wear on the contacts of the contactors, caused by switching under load
- extensive wiring required, with additional switching components

The restart lock -AS- avoids these disadvantages. A safety relay in the servo amplifier is activated either by the PLC or manually. Positively driven contacts provide a safe disconnection of the amplifier, the setpoint input of the servo amplifier is inhibited, and a signal is sent to the safety circuit.

The suggested circuits (⇒ p. 73) fulfills safety category 1 (EN 954-1) or category 3 with additional safety relay (e.g. PNOZ of PILZ company).

Advantages of the restart lock -AS- :

- the DC bus link remains charged up, since the mains supply line remains active
- only low voltages are switched, so there is no contact wear
- very little wiring is required
- the functionality and the personnel safety when using the circuit recommendations in this documentation have been approved by the Trade Liability Association.

Moving single axis-groups in setting-up operation

In setting-up operation, people will frequently be within the danger zone of the machinery. Axes will normally be moved under the control of permission switches. An additional switch-off of the unused axes, by means of the restart lock, increases the safety margin and avoids the repeated switching of main contactors or motor contactors.

Switching off grouped axes with separate working areas

Even when several AX2040/2070 are operating off a common mains supply and DC bus link, it is possible to set up groups for separate working areas. These groups can then be switched off separately for personnel safety.

8.17.1

Safety instructions



- Observe the chapter "use as directed" for the restart lock -AS- (⇒ p. 70)
- The monitoring contacts (KSO1/2) for each amplifier must be looped into the control circuit. This is vital, so that a malfunction of the internal safety relay or a cable break can be recognized.
- If the restart lock -AS- is automatically activated by a control system (KSI1/2), then make sure that the output of the control is monitored for possible malfunction. This can be used to prevent a faulty output from activating the restart lock -AS- while the motor is running.
- Keep to the following functional sequence when the restart lock -AS- is used :
 1. Brake the drive in a controlled manner (speed setpoint = 0V)
 2. When speed = 0 rpm, disable the servo amplifier (enable = 0V)
 3. If there is a suspended load, block the drive mechanically
 4. Activate the restart lock -AS-

8.17.2 Use as directed

The restart lock -AS- is **exclusively** intended to provide safety for personnel, by preventing the restart of a system. To achieve this personnel safety, the wiring of the safety circuits must meet the safety requirements of EN60204, EN12100 and EN 954-1..

The -AS- restart lock must **only** be activated,

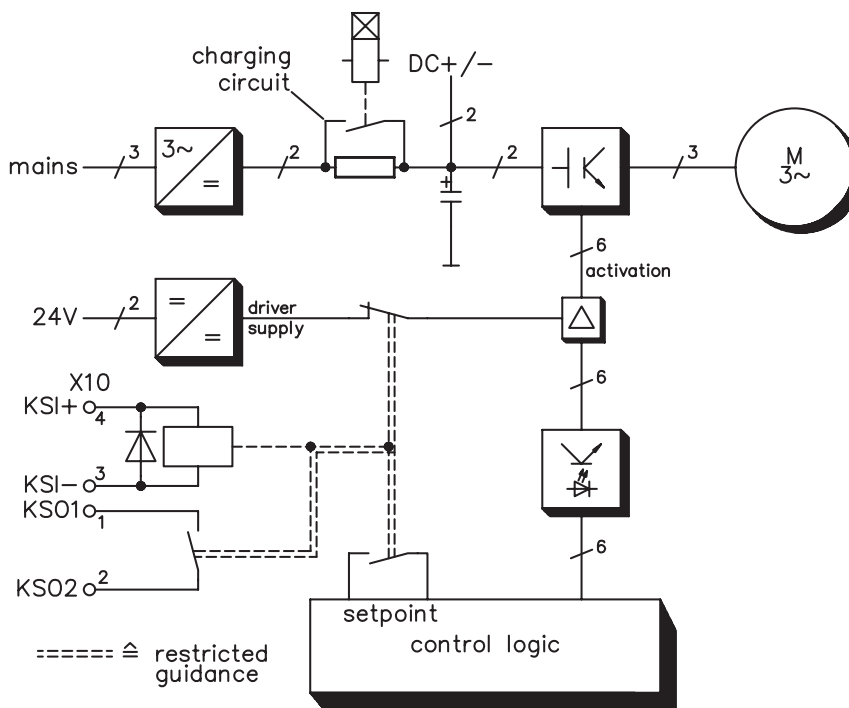
- when the motor is no longer rotating (setpoint = 0V, speed = 0rpm, enable = 0V).
Drives with a suspended load must have an additional safe mechanical blocking (e.g. by a motor-holding brake).
- when the monitoring contacts (KSO1/2) for all servo amplifiers are wired into the control signal loop.

The -AS- restart lock may **only** be controlled by a CNC if the control of the internal safety relay is arranged for redundant monitoring.

The -AS- restart lock must **not** be used if the drive is to be made inactive for the following reasons :

1. - cleaning, maintenance and repair operations
- long inoperative periods
In such cases, the entire system should be disconnected from the supply by the personnel, and secured (main switch).
2. - emergency-stop situations
In an emergency-stop situation, the main contactor is switched off (by the emergency-stop button).

8.17.3 Block diagram



8.17.4 Functional description

The connector (X10) is mounted on the front panel of the AX2040/2070. The coil connections and a make (n.o.) contact of a safety relay are made available through 4 terminals on this connector.

The 24VDC safety relay in the servo amplifier (approved) is controlled externally. All the relay contacts have positive action.

Two contacts switch off the driver supply of the output stage in the servo amplifier, and short the internal setpoint signal to AGND (0 V).

The make (n.o.) contact used for monitoring is looped into the control circuit.

If the safety relay is not energized, then the monitoring contact is open and the servo amplifier is ready for operation.

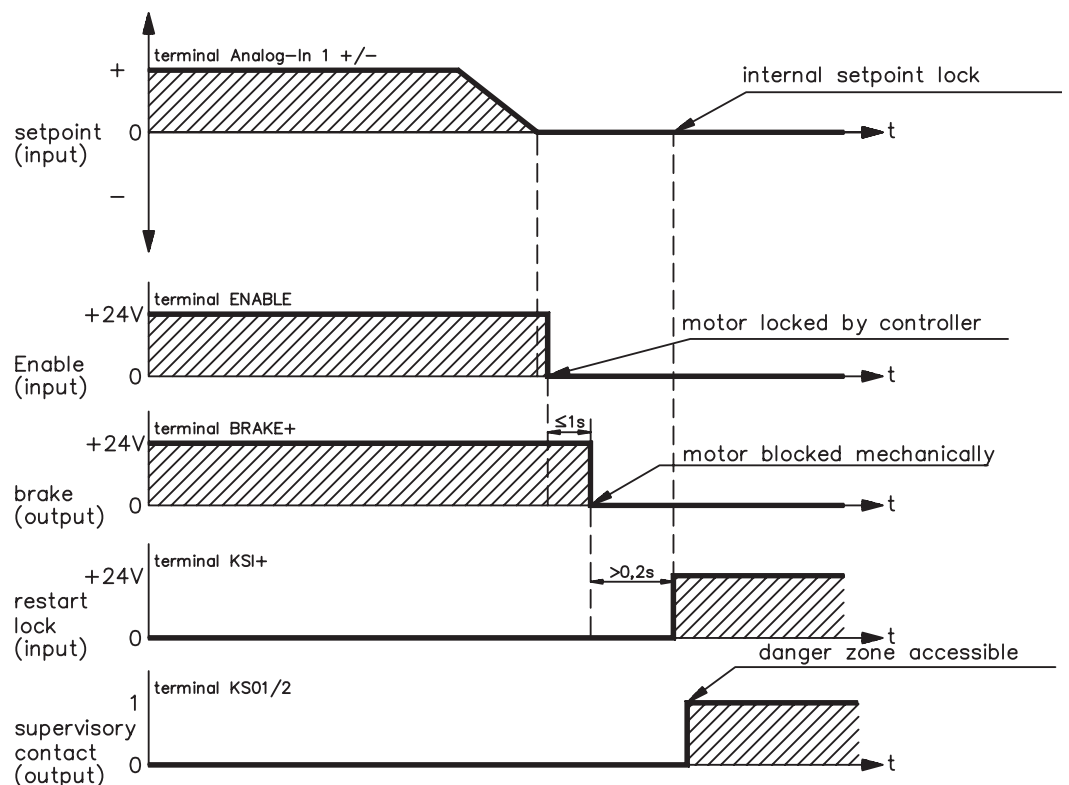
If the drive is electronically braked, the servo amplifier is disabled and the motor-holding brake is on, then the safety relay is energized (manually or by the controls).

The supply voltage for the driver circuit of the output stage is switched off in a safe manner, the internal setpoint is shorted to 0V, and the monitoring contact bridges the safety logic in the control circuit of the system (monitoring of protective doors etc.)

Even if the output stage or driver is destroyed, it is impossible to start the motor.

If the safety relay itself is faulty, then the monitoring contact cannot bridge the safety logic of the system. Opening the protective devices will then switch off the system.

8.17.5 Signal diagram (sequence)



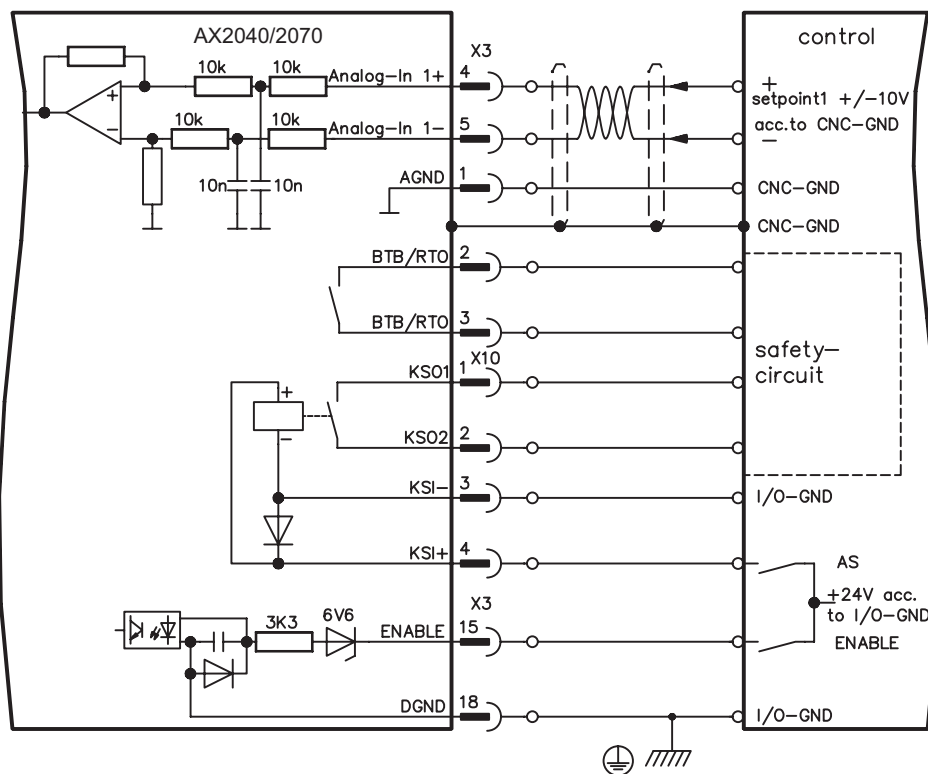
8.17.6 Functional test



The functioning of the restart lock must be tested during setup, after every alteration in the wiring of the system, or after exchanging one or more components of the system.

1. Stop all drives, with setpoint 0V, disable drives, mechanically block any suspended loads
2. Activate the restart lock -AS-.
3. Open protective screens (but do not enter hazardous area)
4. Pull off the X10 connector from an amplifier: **the mains contactor must drop out**
5. Reconnect X10. Switch on mains contactor again.
6. Repeat steps 4 and 5 for each individual servo amplifier.

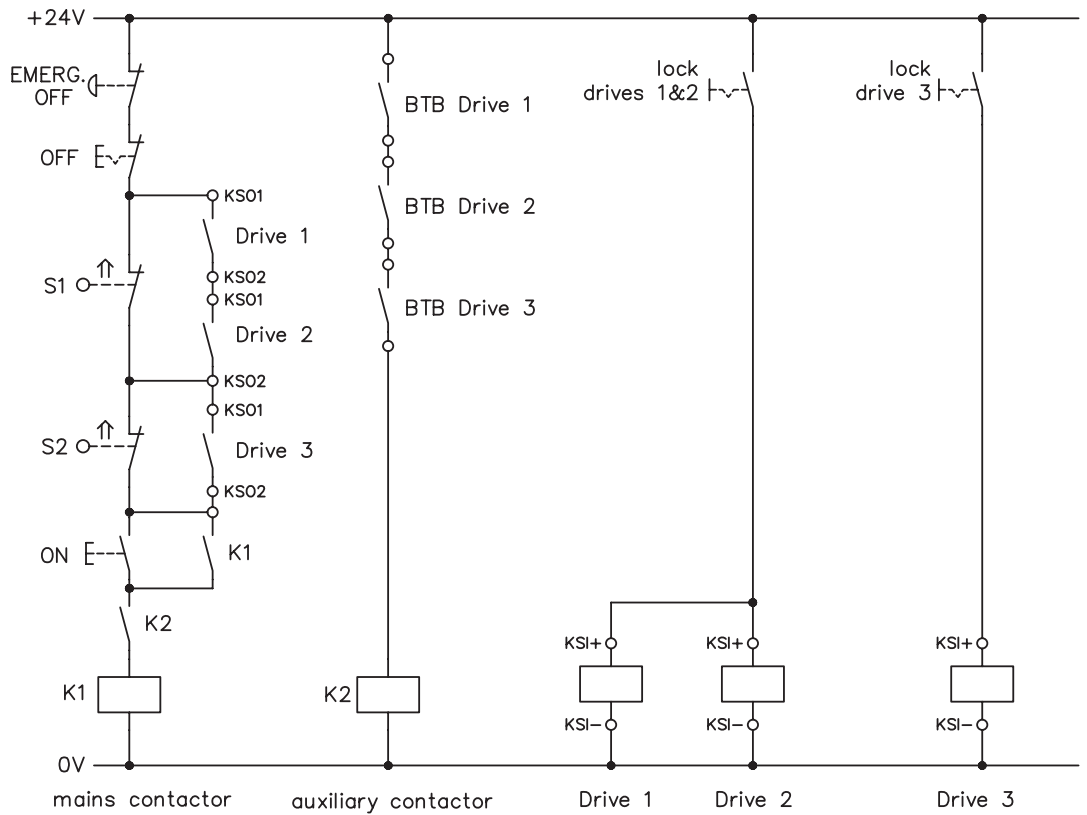
8.17.7 Connection diagram (principle)



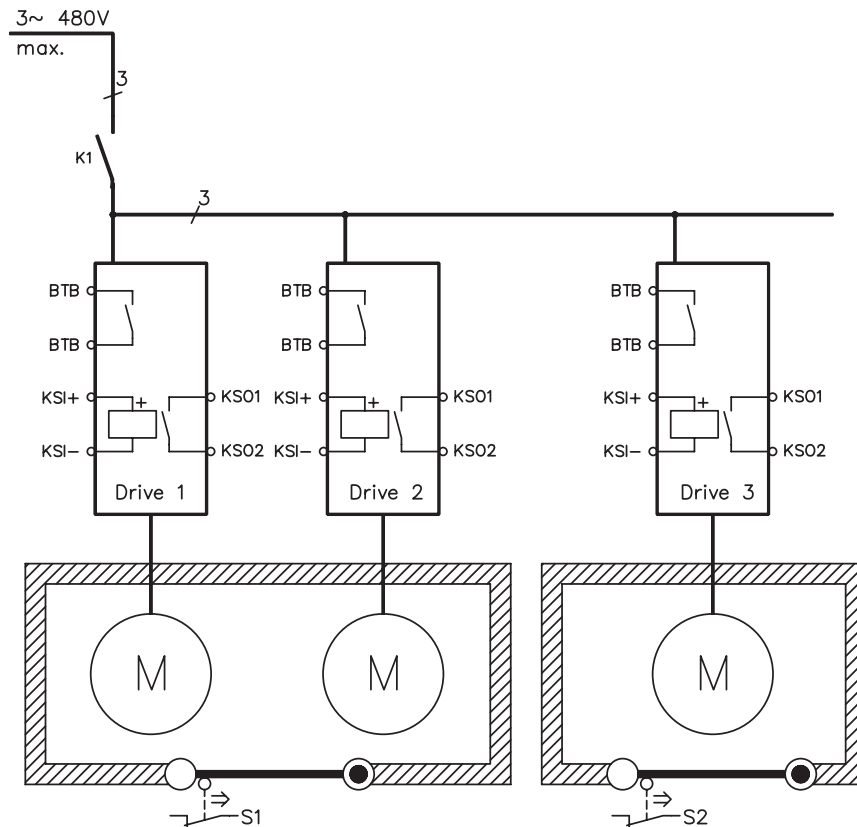
Application examples for category 1 see chapters 8.17.8.

8.17.8 Application example category 1 according to EN 954-1

8.17.8.1 Control circuit



8.17.8.2 Mains supply circuit



8.17.9 Application example category 3 according to EN 954-1

Please contact our customer service.

9 Setup

9.1 Important notes



Only professional personnel with extensive knowledge in the fields of electrical/ drive technology are allowed to setup the servo amplifier.

The setup procedure is described as an example. Depending on the application, a different procedure may be sensible or necessary. In multi-axis systems, setup each servo amplifier individually.



The manufacturer of the machine must generate a hazard analysis for the machine, and take appropriate measures to ensure that unforeseen movements cannot cause injury or damage to any person or property.

Check that all live connecting elements are protected from accidental contact. Deadly voltages can be present, up to 900V.

Never disconnect any of the electrical connections to the servo amplifier while it is live. Capacitors can still have residual charges with dangerous levels up to 300 seconds after switching off the supply power.

Heat sinks of the amplifier can reach a temperature of up to 80°C (176°F) in operation. Check (measure) the heat sink temperature. Wait until the heat sink has cooled down below 40°C (104°F) before touching it.



If the servo amplifier has been stored for longer than 1 year, then the DC bus link capacitors will have to be re-formed.

To do this, disconnect all the electrical connections.

Supply the servo amplifier for about 30 min. from single-phase 230VAC to the terminals L1 / L2. This will re-form the capacitors.



Further setup information:

The adaptation of parameters and the effects on the control loop behavior are described in the online help.

The setup of the expansion card (if present) is described in the corresponding manual on the CD-ROM.

We can provide further know-how through training courses (on request).

9.2 Setup software

9.2.1 General

This chapter describes the installation of the setup software for the AX2040/2070 digital servo amplifiers.

We offer training and familiarisation courses on request.

9.2.1.1 Use as directed

The setup software is intended to be used for setting up and storing the operating parameters for the AX2040/2070 series of servo amplifiers. The attached servo amplifier can be setup with the assistance of the software - during this process the drive can be controlled directly by the service functions.



Only professional personnel who have the relevant expertise described on page 7 are permitted to carry out online parameter setting for a drive which is running. Sets of data which are stored on data media are not safe against unintended alteration by other persons. After loading a set of data you must therefore check all parameters thoroughly before enabling the servo amplifier.

9.2.1.2 Software description

The servo amplifiers must be adapted to the requirements of your installation. Usually you will not have to carry out this parameter setting yourself on the amplifier, but on a PC, with the assistance of the setup software. The PC is connected to the servo amplifier by a null-modem cable (⇒ p. 67). The setup software provides the communication between AX2040/2070 and the PC.

You will find the setup software on the accompanying CD-ROM and at our web site in the download area.

With very little effort you can alter parameters and instantly observe the effect on the drive, since there is a continuous (online) connection to the amplifier.

Simultaneously, important actual values are read out from the amplifier and displayed on the PC monitor (oscilloscope function).

Any interface modules (expansion cards) which may be built into the amplifier are automatically recognized, and the additional parameters which are required for position control or motion-block definition are made available.

Sets of data can be stored on data media (archived) and loaded again. Sets of data which are stored on data media can be printed.

We supply you with motor-specific default sets of data for the most common combinations of servo amplifier and motor. In most applications you will be able to use these default values to get your drive running without any problems.

An extensive online help with integrated description of all variables and functions supports you in each situation.

9.2.1.3 Hardware requirements

The PC interface (X6, RS232) of the servo amplifier is connected to the serial interface of the PC by a null-modem cable (**not a null-modem link cable !**) (⇒ p. 67).



Connect / disconnect the interface cable only when the supply is switched off for both the PC and the servo amplifier.

The interface in the servo amplifier is electrically isolated by an optocoupler, and is at the same potential as the CANopen interface.

Minimum requirements for the PC:

Processor	:	Pentium I or higher
Operating system	:	WINDOWS 95(c) / 98 / 2000 / ME / NT4.0 / XP
Graphics adapter	:	Windows compatible, color
Drives	:	hard disk with at least 10 MB free space CD-ROM drive
Main memory	:	at least 8MB
Interface	:	one free serial interface (COM1...COM10)

9.2.1.4 Operating systems

WINDOWS 95(c) / 98 / 2000 / ME / NT / XP

DRIVE.EXE is executable under WINDOWS 95(c) / 98 / 2000 / ME / NT 4.0 / XP.
The HTML help system is **not** available under WINDOWS 95a and 95b.

WINDOWS FOR WORKGROUPS 3.xx, DOS, OS2

DRIVE.EXE is not executable under WINDOWS 3.xx, DOS and OS2.
In emergency, operation is possible through an ASCII terminal emulation (without user-interface).
Interface settings : 9600 bps, no parity, no handshake

Unix, Linux

The software function has not been tested running within Unix or Linux.

9.2.2 Installation under WINDOWS 95 / 98 / 2000 / ME / NT / XP

The CD-ROM includes an installation program for the setup software.

Installation

Autostart function activated:

Insert the CD-ROM into a free drive. A window with the start screen opens. There you find a link to the setup software DRIVE.EXE. Click it and follow the instructions.

Autostart function deactivated:

Insert the CD-ROM into a free drive. Click on **START** (task bar), then on **Run**. Enter the program call: **x:\index.htm** (x = correct CD drive letter).

Click **OK** and proceed as described above.

Connection to the serial interface of the PC

Connect the interface cable to a serial interface on your PC and the PC interface (X6) of the AX2040/2070 (⇒ p. 67).

9.3 Quickstart Guide

9.3.1 Preparation

9.3.1.1 Unpacking, Mounting and Wiring the Servo Amplifier

1. Unpack servo amplifier and accessories
2. **Observe safety instructions in the manuals**
3. Mount the servo amplifier as described in chapter 7.3
4. Wire the servo amplifier as described in chapter 8.3 or apply the minimum wiring for drive testing as described in chapter 9.3.1.3
5. Install the software as described in chapter 9.2

9.3.1.2 Documents

You need access to these documents (located on the product CD-ROM, you can download the latest editions from our website):

- Product Manual (this manual)
- CANopen Communication Profile Manual

Depending on the installed expansion card you need one of these documents:

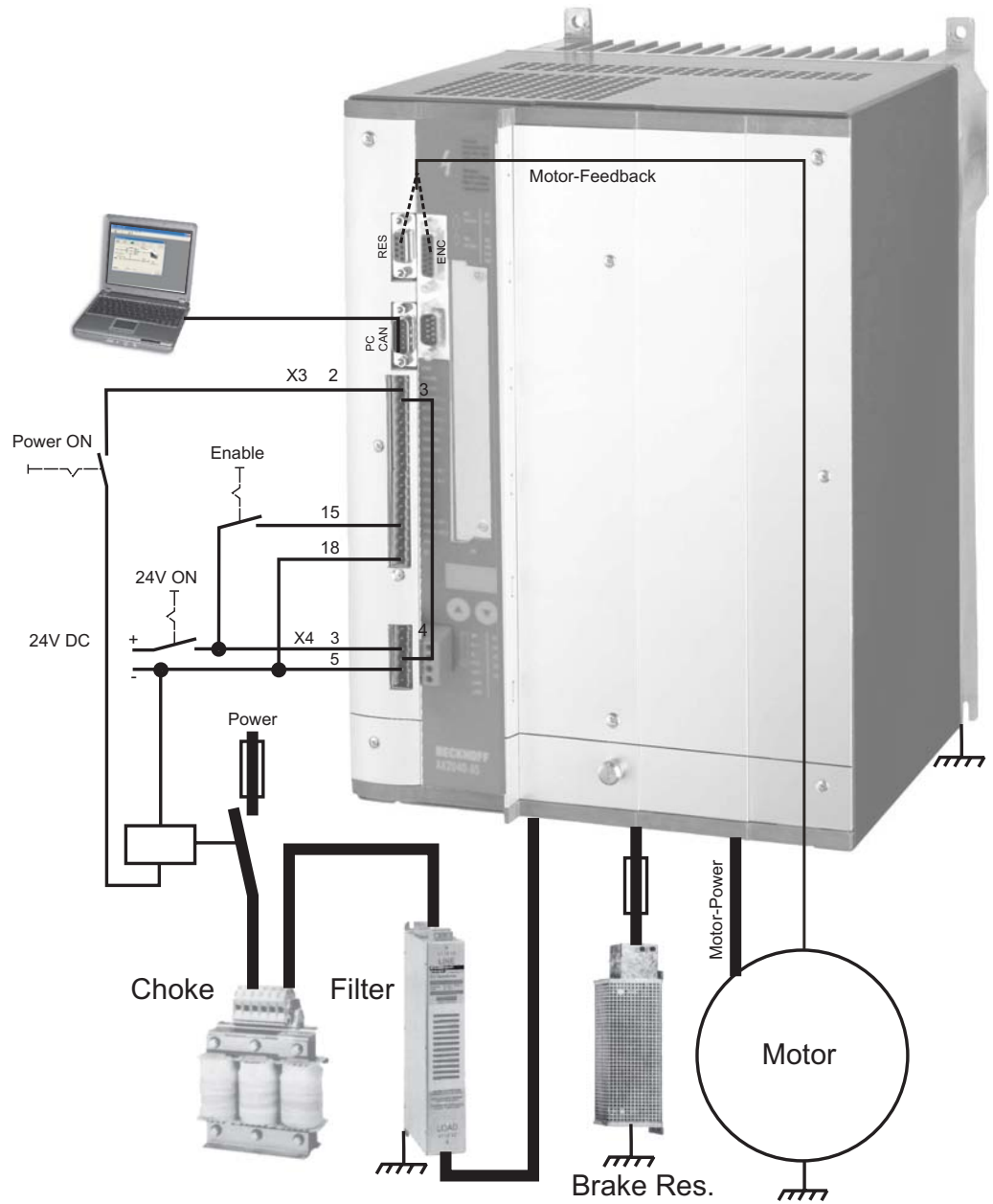
- PROFIBUS DP Communication Profile Manual
- DeviceNet Communication Profile Manual
- SERCOS Communication Profile Manual
- EtherCat Communication Profile Manual (in process)

You need Acrobat Reader to read the PDFs, an installation link is on every screen of the product CD-ROM.

9.3.1.3 Minimum Wiring for Drive Test





This wiring does not fulfill any requirements to safety or functionality of your application, it just shows the required wiring for drive testing without load.





9.3.2

Connect

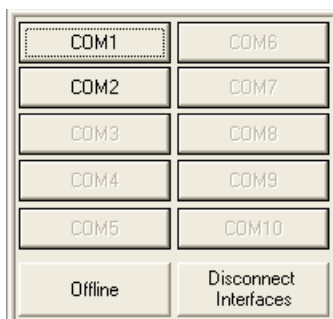
- Connect the interface cable to a serial interface on your PC and to the serial interface X6 of the servo amplifier. USB to serial converter can be used optionally.
- Switch on the 24 V power supply for the servo amplifier.
- Wait about 30 seconds, until the front display of the servo amplifier displays the current classe (e.g.  for 40 amps). If the power supply voltage is switched on, too, a leading P is displayed (e.g.  for Power, 40 amps).



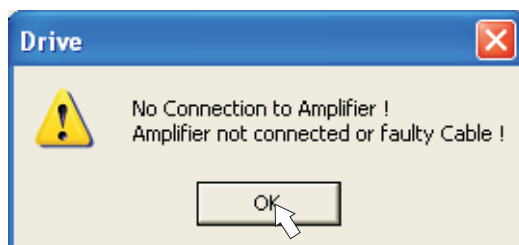
If a fault code () or a warning () or a status message (./_ / E/S) appears in the display, you will find the description on page 92ff. If there is fault, fix the problem.



Double-Click the DRIVE.EXE icon on your Windows desktop to start the software.



You can work offline or online with .
Work ONLINE now. Select the interface where the servo amplifier is connected to.

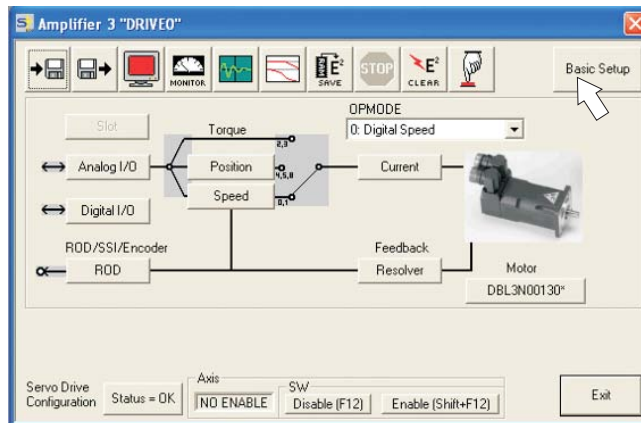


The software tries to communicate with the drive and to upload the parameters. If it's not successful, you receive this error message.

- Frequent causes:
- wrong interface chosen
 - wrong connector chosen at the servo amplifier
 - interface is used by another software
 - 24 V auxiliary voltage for the servo amplifier not working
 - interface cable broken or wrong wiring

Click OK to remove the error message. Detect and remove the error source. Restart the software.

If communication works, parameters are transmitted from the servoamplifier to the computer. Then you see the start screen.



WARNING !
 Make sure, that the amplifier is disabled (Input HW-Enable connector X3 pin 15 must be 0 V or open)!

9.3.3 Important Screen Elements

Help Function

The Online-Help gives detailed information to all parameters the servo amplifier can work with.

Key F1	Starts Online Help for the actual screen page.
Menu Bar ? or Online HTML Help	Starts Online Help with table of contents.

Tool Bar



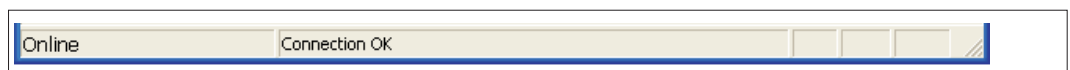
	Save to EEPROM, required if you changed parameters.
--	-----------------------------------------------------

	Reset (coldstart), required if you changed important configuration parameters.
--	--------------------------------------------------------------------------------

OPMODE 0: Digital Speed	Operation Mode, use Digital Velocity mode for drive testing.
----------------------------	--------------------------------------------------------------

SW Disable (F12) Enable (Shift+F12)	Disable and Enable of the amplifier's output stage via software.
----------------------------------------	------------------------------------------------------------------

Status Bar



9.3.4 Basic Setup

On the start screen click "Basic Setup" button.

Regen Resistor: Select "external" regen resistor

max.Reggen Power: Fill in the power of the connected regen resistor.

max. Mains Voltage: Select the nominal mains AC voltage

Mains Phase Missing: You can select either warning "n05" or error "F19" in case of phase loss. The setting "F19" disables the output stage, "n05" is just a message.

Units: Acceleration, Velocity, Position

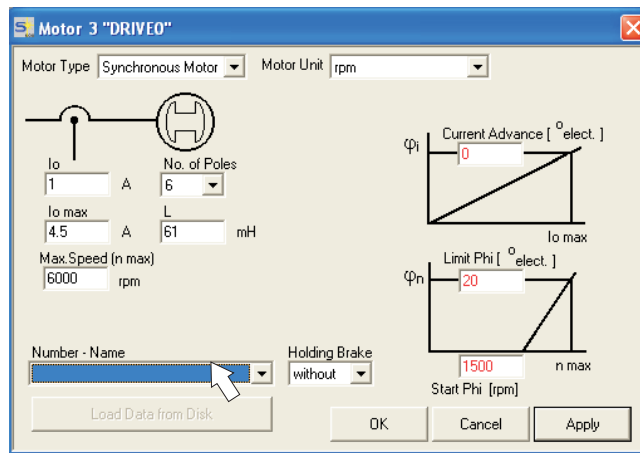
Select usable units for your application referring to the moved load.



Leave all other fields unchanged.

Click OK. On the start screen click "Motor" button.

9.3.5 Motor (synchronous)



Press function key F12 (SW disable) before changing motor parameters.

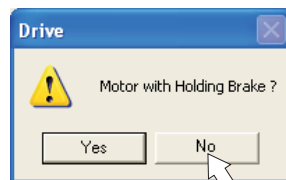
Motor Type: Select Synchronous Motor. If you use a linear motor or an induction motor, please contact our support department.

Number-Name: Click the list to start uploading the motor parameter table, which is stored in the servo amplifier. Search and select the connected motor. If your motor is not listed, please contact our support department.

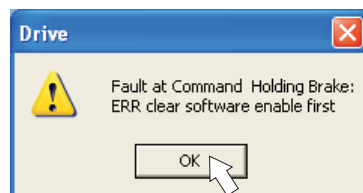


Leave all other fields unchanged.

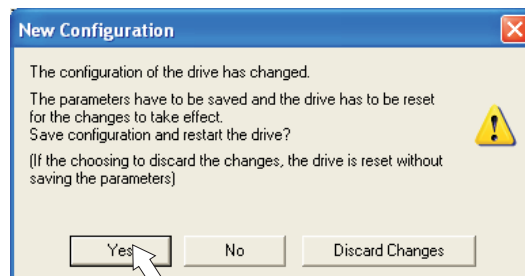
Click OK.



If your motor has a built-in brake, click Yes, otherwise "No".



If Software Enable is active, a warning appears. You can proceed, but after the amplifier is restarted, you must check whether the holding brake configuration is correct. Click OK.



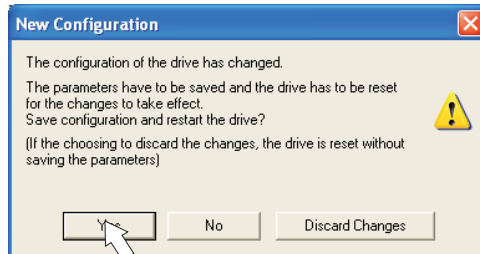
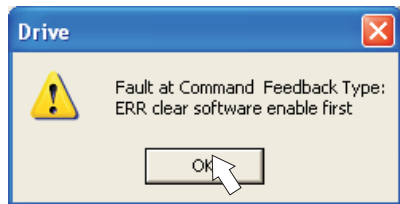
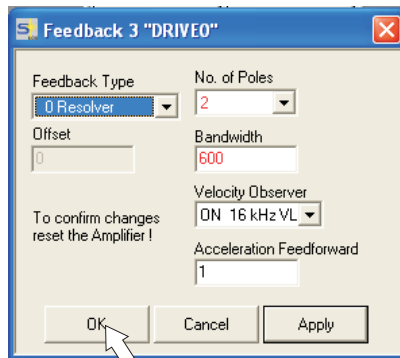
Parameters are uploaded to the amplifier's RAM now (takes some seconds). When this is done, you have to accept the changed configuration with "Yes" or to discard the changes in the appearing screen.

If you click "Yes", the parameters are saved in the EEPROM and the amplifier makes a cold-start (reset). This takes some seconds.

On the start screen, click "Feedback" button.

9.3.6

Feedback



Press function key F12 (disable) before changing feedback parameters.

Feedback Type:

Select the feedback type used.

Leave all other fields unchanged.

If Software Enable is active, a warning appears. The configuration change cannot be performed.

Click OK on the warnings, press F12 (SW disable) and start the Feedback procedure again.

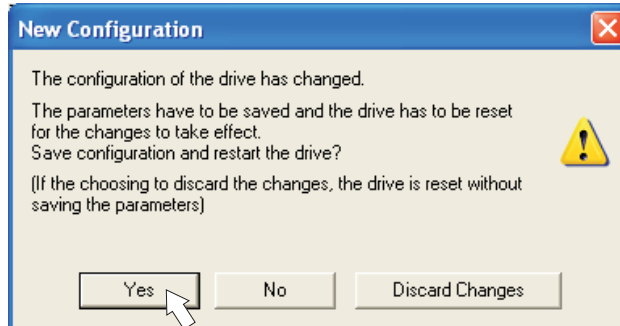
If everything was ok, the same procedure (parameter upload) that has been described for the motor selection starts.

If you click "Yes", the parameters are saved in the EEPROM and the amplifier makes a cold-start (reset). This takes some seconds.

9.3.7 Save Parameters and Restart


You are going to finish setup and you have changed several basic parameters. Depending on the parameters you changed, two possible reactions can occur:

Configuration parameters changed



A warning appears, that you have to restart the amplifier. This is called "coldstart". Click "YES". The parameters are saved to the amplifier's EEPROM automatically and a reset command restarts the amplifier (takes a few seconds). For example, this happens after motor or feedback selection.

Other parameters changed

No warning appears. Parameters are saved in the volatile RAM only. Save the parameters to the EEPROM of the servo amplifier manually by clicking the symbol  in the tool bar. A coldstart of the amplifier is not necessary.

Reset the amplifier

You can reset the amplifier manually (e.g. in case of an error). Click the icon .

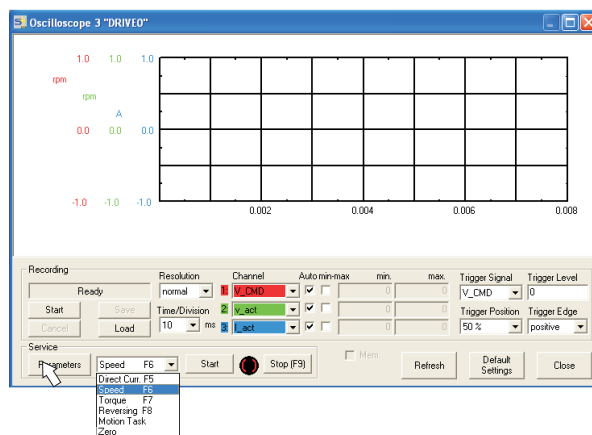
9.3.8 Jogging the Motor (Speed Control)



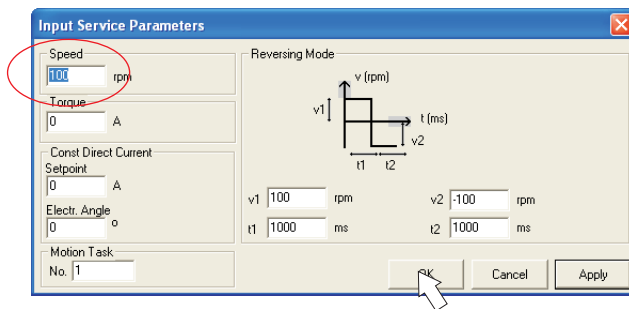
Be aware that the actual position of the load permits the subsequent moving operations. The axis could move to the hardware limit-switch or the mechanical stop. Make sure that a jerk or a fast acceleration of the load cannot cause any damage.

- Switch on the power supply for the drive.
- **Hardware-Enable:** +24 VDC to Enable [connector X3 pin 15].
- **Software-Enable:** Click the "Enable" button Enable (Shift+F12) on the start screen or use key combination Shift+F12. Now, the front display shows an E and the current rating (e.g. 8.8.8 for Enable, 40 amps)

- Click the icon "Oscilloscope"



- Select Service-Mode "Speed F6", then click "Parameter" button Parameter



- Enter a safe speed. The sign defines the direction of movement.

Observe the "safe reduced speed" requirements for your application!



- Click OK.
- Start the service function ("Start" button or press F6).



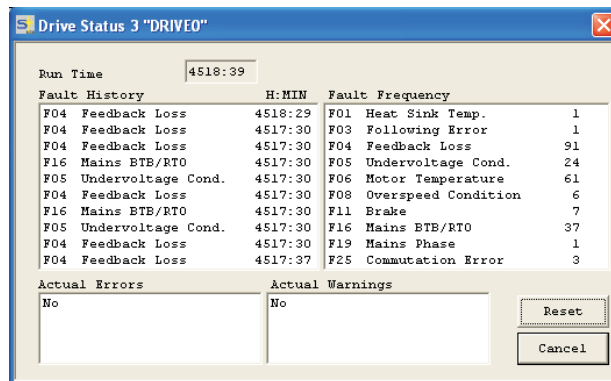
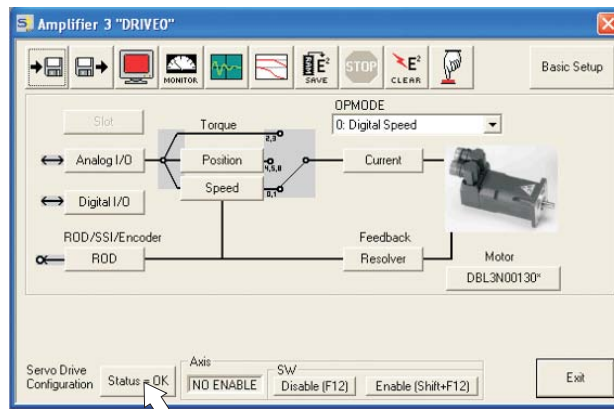
Click OK on the warning notice.

Opmode is switched to "0" and the output stage is enabled automatically. The symbols color changes to green as long as the function is active.

- The function is active until you click the "Stop" button or press F9.
- The output stage can be disabled by pressing function key F12.

9.3.9 Status

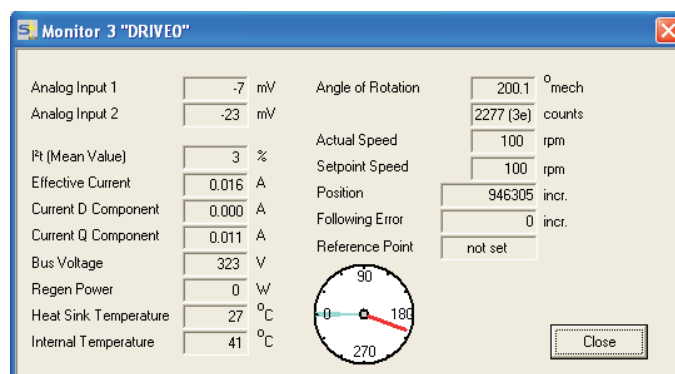
Actual warnings and errors are listed on the **Status** screen, which can be accessed on the start screen by clicking the "Status" button. This button monitors the current status of the amplifier and can appear with different text.




The Reset button can be used to clear some actual error messages. A description of errors/warnings can be found on page 92.

Now you have setup and tested the basic functions of the drive successfully.

9.3.10 Monitor



Click the icon "Monitor" 

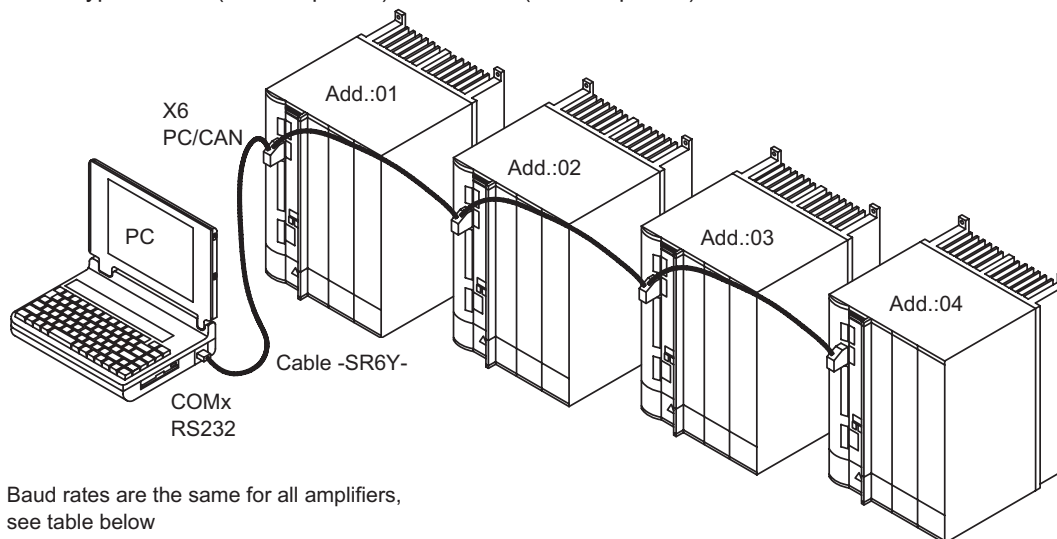
The Monitor screen shows all important electrical and mechanical actual values

9.3.11 Additional Setup Parameters

Detailed information on all setup functions can be found in the Online Help system and the integrated command reference.

9.4 Multi-axis system

Using a special multilink cable, you can connect up to six servo amplifiers together and to your PC :
Cable type -SR6Y- (for 4 amplifiers) or -SR6Y6- (for 6 amplifiers).



Baud rates are the same for all amplifiers,
see table below

With the PC connected to just one servo amplifier you can now use the setup software to select all amplifiers through the preset station addresses and set up the parameters.

9.4.1 Node address for CAN-bus

During setup it makes sense to preset the station addresses for the individual amplifiers and the baud rate for communication by means of the keypad on the front panel (⇒ p. 91).

9.4.2 Baud rate for CAN-bus

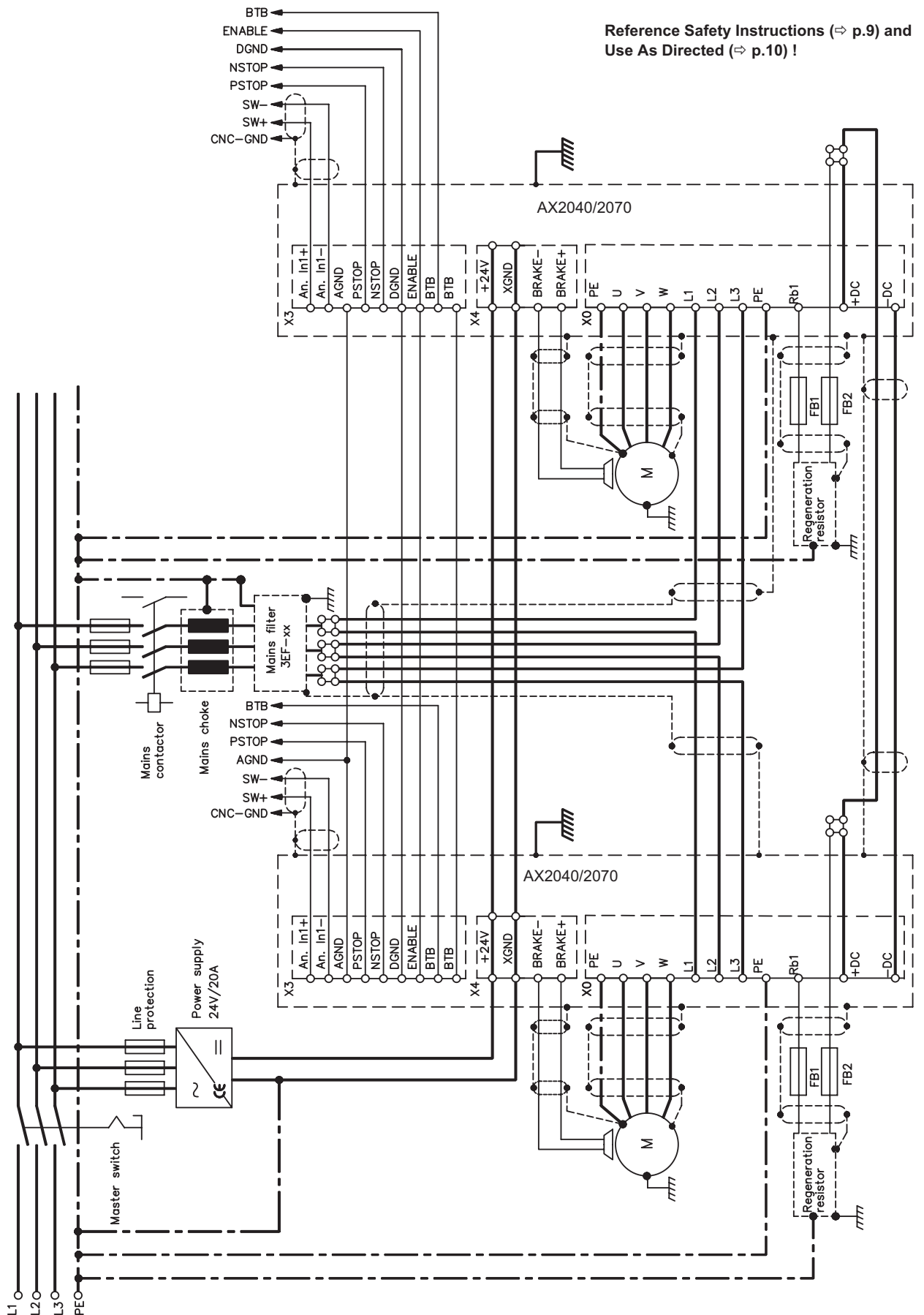


After changing the station address and baud rate you must turn the 24V auxiliary supply of the servo amplifier off and on again.

Coding of the baud rate in the LED display :

Coding	Baud rate in kbit/s	Coding	Baud rate in kbit/s
0	10	5	250
1	20	6	333
2	50	7	500
3	100	8	666
4	125	9	800
		10	1000

9.4.3 Example of connections for a multi-axis system






Reference Safety Instructions (⇒ p.9) and Use As Directed (⇒ p.10) !

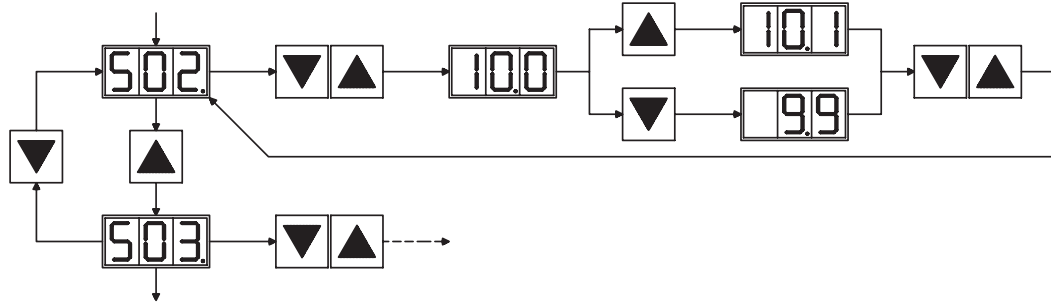
9.5 Key operation / LED display

In this chapter the two possible operation menus and the use of the keys in the front panel are shown. Normally, the AX2040/2070 only places the standard menu at your disposal. If you want to attend the amplifier via the detailed menu, you must keep the right key pressed while switching on the 24V-supply.

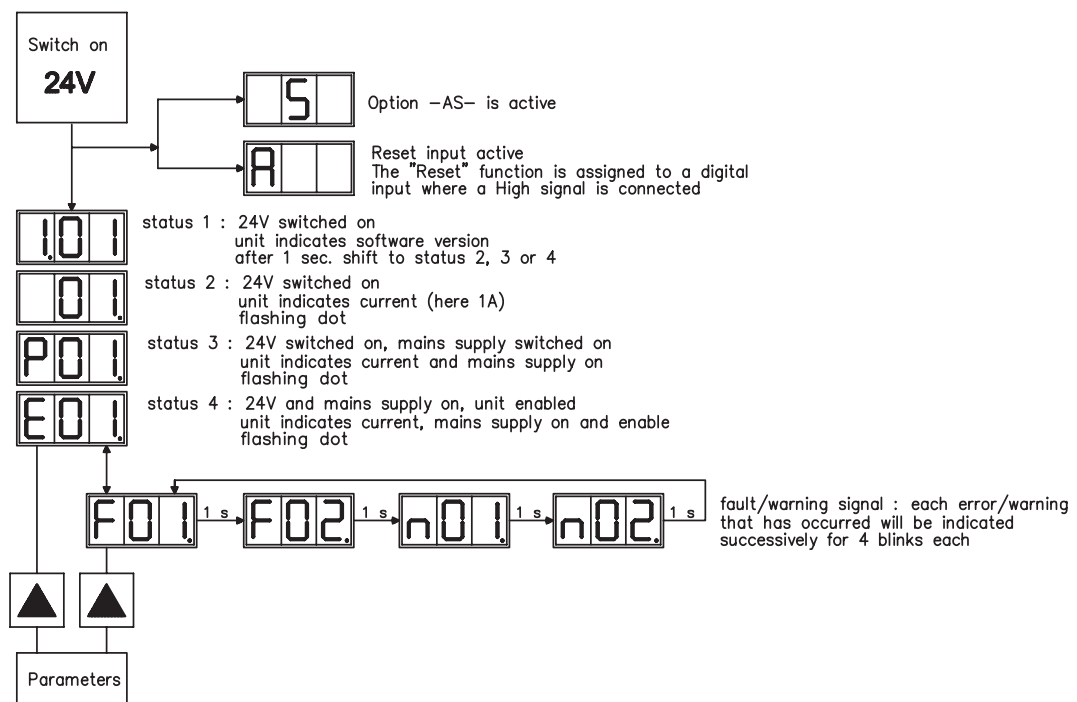
9.5.1 Key operation

The two keys can be used to perform the following functions:

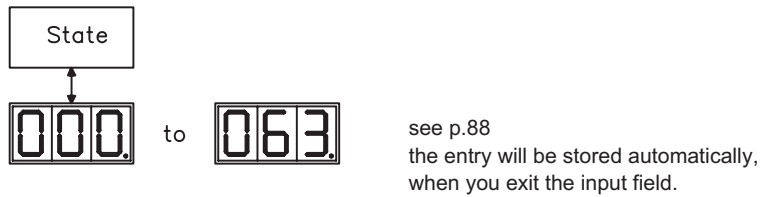
Key symbol	Functions
	press once : go up one menu item, increase number by one press twice in rapid succession : increase number by ten
	press once : go down one menu item, decrease number by one press twice in rapid succession : decrease number by ten
	press and hold right key, then press left key as well : enters a number, return function



9.5.2 Status display

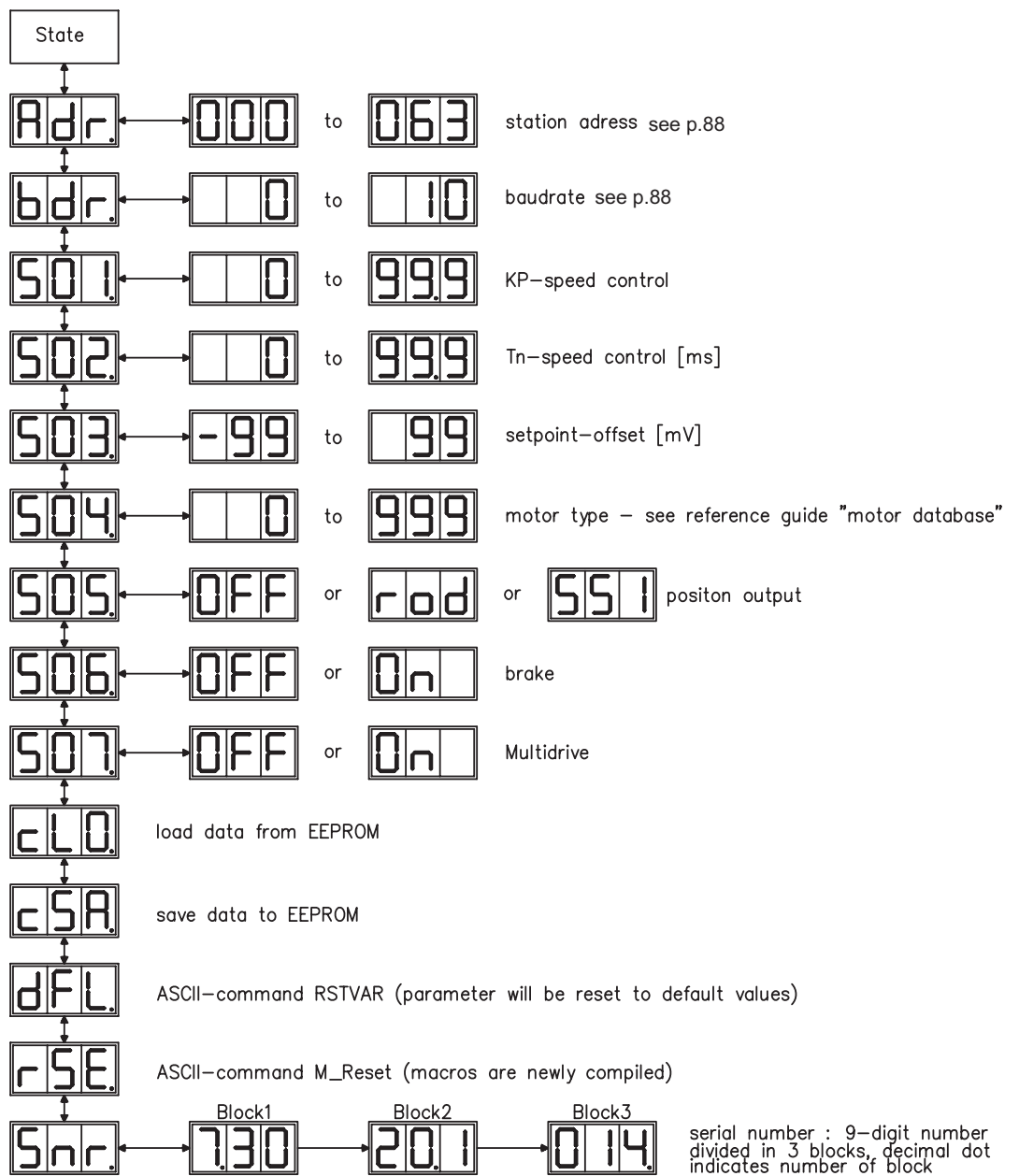


9.5.3 Standard menu structure



9.5.4 Extended menu structure

Keep the right key pressed while switching on the 24V-supply.



9.6 Error messages

Errors which occur are shown in coded form by an error number in the LED display on the front panel. All error messages result in the BTB/RTO contact being opened, and the output stage of the amplifier being switched off (motor loses all torque). If a motor-holding brake is installed, it will be activated.

Number	Designation	Explanation
E / S / A / P	Status Messages	Status messages, no error, see p. 90
...	Status Message	Updating the startup configuration
-	Status Message	Programming mode
F01*	Heat sink temperature	Heat sink temperature too high limit is set by manufacturer to 80°
F02*	Overvoltage	Overvoltage in DC bus link limit depends on the electrical supply voltage
F03*	Following error	Message from the position controller
F04	Feedback	Cable break, short-circuit, short to ground
F05*	Undervoltage	Undervoltage in DC bus link limit is set by manufacturer to 100V
F06	Motor temperature	Motor temperature too high or temp. sensor defect limit is set by manufacturer to 145°C
F07	Internal voltage supply	Internal amplifier supply voltages are out of tolerance
F08*	Overspeed	Motor runs away, speed is too high
F09	EEPROM	Checksum error
F10	Flash-EPROM	Checksum error
F11	Brake	Cable break, short-circuit, short to ground
F12	Motor phase	Motor phase missing (cable break or similar)
F13*	Internal temperature	Internal temperature too high
F14	Output stage	Fault in the power output stage
F15	I ² t max.	I ² t maximum value exceeded
F16*	Supply BTB/RTO	2 or 3 phases missing in the mains supply feed
F17	A/D converter	Error in the analog-digital conversion, normally caused by extreme electromagnetic interferences.
F18	Regen	Regen circuit faulty or incorrect setting
F19*	Supply phase	A phase is missing in the mains supply power feed (can be switched off for 2-phase operation)
F20	Slot fault	Slot error (hardware fault on expansion card)
F21	Handling error	Software error on the expansion card
F22	Earth short circuit	Short-circuit between motor phase and ground
F23	CAN-bus off	Severe CAN bus communication error
F24	Warning	Warning is displayed as fault
F25	Commutation error	Commutation error
F26	Limit switch	Homing error (machine has driven onto hardware limit switch)
F27	AS	Operational error with -AS- , input for AS-Enable and ENABLE have been set at the same time
F28	External Trajectory	External position profile generator created a step, that exceeded the maximum value
F29	Slot Fault	depends on expansion card, see online help
F30	Emergency timeout	Timeout emergency stop
F31	Macro	Macro program error
F32	System Error	system software not responding correctly

* = These error messages can be cancelled by the ASCII command CLRFAULT, without executing a reset. If only these errors are present, and the RESET button or the I/O-function RESET is used, the CLRFAULT command is also all that is carried out.



More information to the messages can be found in the ASCII Object Reference (Online Help), see parameter ERRCODE. Hints for removal can be found in section "Trouble-Shooting" of the online help.

9.7 Warning messages

Faults which occur, but which do not cause a switch-off of the amplifier output stage (BTB/RTO contact remains closed), are indicated in the LED display on the front panel by a coded warning number.

Number	Designation	Explanation
E / S / A / P	Status Messages	Status messages, no error, see p. 90
. . .	Status Message	Updating the startup configuration
-	Status Message	Programming mode
n01	I ² t	I ² t threshold exceeded
n02	Regen power	Reached preset regen power limit
n03*	S_fault	Exceeded preset following error limit
n04*	Response monitoring	Response monitoring (fieldbus) has been activated
n05	Supply phase	Mains supply phase missing
n06*	SW limit switch 1	Underrun software limit switch 1
n07*	SW limit switch 2	Overrun software limit switch 2
n08	Motion task error	A faulty motion task was started
n09	No reference point	No reference point (Home) set at start of motion task
n10*	PSTOP	PSTOP limit-switch activated
n11*	NSTOP	NSTOP limit-switch activated
n12	Motor default values loaded	Only for ENDAT or HIPERFACE® : discrepancy between motor number saved in the encoder and the amplifier, motor default values loaded
n13*	Slot warning	24V supply of the I/O expansion board is missing
n14	SinCos feedback	SinCos commutation (wake & shake) not completed, will be canceled when amplifier is enabled and wake&shake carried out
n15	Table error	Fault according to speed/current table INXMODE 35
n16	Summarized warning	Summarized warning for n17 to n31
n17	Fieldbus Synchronization	The mode synchronization SYNCSRC is selected but the drive isn't in synchronies cycle
n18	Multiturn overrun	Using Multiturn encoder feedback, an overrun over the maximum number of resolutions was detected
n19	Motion task ramps are limited	Range overflow on motion task data
n20	Wrong GMT data	Wrong "Graphical Motion Task" data
n21	PLC program error	For details see plc code
n22	max. motor temperatur reached	The user can shut down the process before the temperature error will interrupt the process immediately
n23...n31	reserved	reserved
n32	firmware beta version	Firmware is an unreleased beta version

* = These warning messages lead to a controlled shut-down of the drive (braking with the emergency ramp)



More information to the messages can be found in the ASCII Object Reference (Online Help), see parameter STATCODE. Hints for removal can be found in section "Trouble-Shooting" of the online help.

9.8 Removing faults / warnings

Depending on the conditions in your installation, there may be a wide variety of reasons for the fault. In multi-axis systems there may be further hidden causes of a fault.



Detailed hints for removal of faults can be found in the Online help chapter "Trouble-Shooting".

Our customer service can give you further assistance with problems.

Fault	possible causes	Measures to remove the cause of the fault
HMI message: communication fault	<ul style="list-style-type: none"> — wrong cable used — cable plugged into wrong position in servo amplifier or PC — wrong PC interface selected 	<ul style="list-style-type: none"> — use null-modem cable — plug cable into the correct sockets on the servo amplifier and PC — select correct interface
motor does not rotate	<ul style="list-style-type: none"> — servo amplifier not enabled — break in setpoint cable — motor phases swapped — brake not released — drive is mechanically blocked — no. of motor poles set incorrectly — feedback set up incorrectly 	<ul style="list-style-type: none"> — apply enable signal — check setpoint cable — correct motor phase sequence — check brake control — check mechanism — set no. of motor poles — set up feedback correctly
motor oscillates	<ul style="list-style-type: none"> — gain too high (speed controller) — shielding in feedback cable broken — AGND not wired up 	<ul style="list-style-type: none"> — reduce Kp (speed controller) — replace feedback cable — join AGND to CNC-GND
drive reports following error	<ul style="list-style-type: none"> — I_{rms} or I_{peak} is set to low — setpoint ramp is too long 	<ul style="list-style-type: none"> — increase I_{rms} or I_{peak} (keep within motor data !) — shorten setpoint ramp +/-
motor over-heating	<ul style="list-style-type: none"> — I_{rms}/I_{peak} set too high 	<ul style="list-style-type: none"> — reduce I_{rms}/I_{peak}
drive too soft	<ul style="list-style-type: none"> — Kp (speed controller) too low — Tn (speed controller) too high — PID-T2 too high — T-Tacho too high 	<ul style="list-style-type: none"> — increase Kp (speed controller) — use motor default value for Tn (speed controller) — reduce PID-T2 — reduce T-Tacho
drive runs roughly	<ul style="list-style-type: none"> — Kp (speed controller) too high — Tn (speed controller) too low — PID-T2 too low — T-Tacho too low 	<ul style="list-style-type: none"> — reduce Kp (speed controller) — use motor default value for Tn (speed controller) — increase PID-T2 — increase T-Tacho
axis drifts at setpoint = 0V	<ul style="list-style-type: none"> — offset not correctly adjusted for analog setpoint provision — AGND not joined to the CNC-GND of the controls 	<ul style="list-style-type: none"> — adjust setpoint-offset (analog I/O) — join AGND and CNC-GND

10 Expansion Cards

10.1 Guide to installation of expansion cards



- Use a suitable screwdriver to unscrew the cover of the option slot.
- Take care that no small items (such as screws) fall into the open option slot.

- Press the expansion card firmly into the slot, until the front cover touches the fixing lugs. This ensures that the connectors make good contact.
- Screw the screws on the front cover into the threads in the fixing lugs.

- Push the expansion card carefully into the provided guide rails of the main slot, without twisting it.



10.2 Expansion card -I/O-14/08-

This chapter describes the I/O-expansion card -I/O-14/08-. It only describes the additional features that the expansion card makes available for the AX2040/2070.

If you ordered the expansion card together with the servo amplifier, then it will be delivered already inserted into the expansion slot of the servo amplifier and screwed fast.

The -I/O-14/08- provides you with 14 additional digital inputs and 8 digital outputs. The functions of the inputs and outputs are fixed. They are used to initiate the motion tasks that are stored in the servo amplifier and to evaluate signals from the integrated position control in the higher-level control.

The functions of the inputs and signal outputs correspond exactly to the functions that can be assigned to the digital-I/O on connector X3 of the AX2040/2070.

All inputs and outputs are electrically isolated from the servo amplifier by optocoupler.

10.2.1 Front view



10.2.2 Technical data

Control inputs	24V / 7mA, PLC-compatible
Signal outputs	24V / max. 500mA, PLC-compatible
Supply inputs, to IEC 1131	24V (18 ... 36V) / 100mA plus total current of the outputs (depends on the input wiring of the controls) The 24VDC voltage has to be supplied by an electrically isolated power supply, e.g. with insulating transformer.
Fusing (external)	4 AT
Connectors	MiniCombicon, 12-pole, coded on PIN1 and 12 respectively
Cables	Data – up to 50m long : 22 x 0.5mm ² , unshielded, Supply – 2 x 1mm ² , check voltage drop
Waiting time between 2 motion tasks	depends on the response time of the control system
Addressing time (min.)	4ms
Starting delay (max.)	2ms
Response time of digital outputs	max. 10ms



10.2.3 Light emitting diodes (LEDs)

Two LEDs are mounted next to the terminals on the expansion card. The green LED signals that the 24V auxiliary supply is available for the expansion card. The red LED signals faults in the outputs from the expansion card (overload, short-circuit).

10.2.4 Select motion task number (sample)

Motion task no.	A7	A6	A5	A4	A3	A2	A1	A0
binary 1010 1110	1	0	1	0	1	1	1	0
decimal 174	128	-	32	-	8	4	2	-

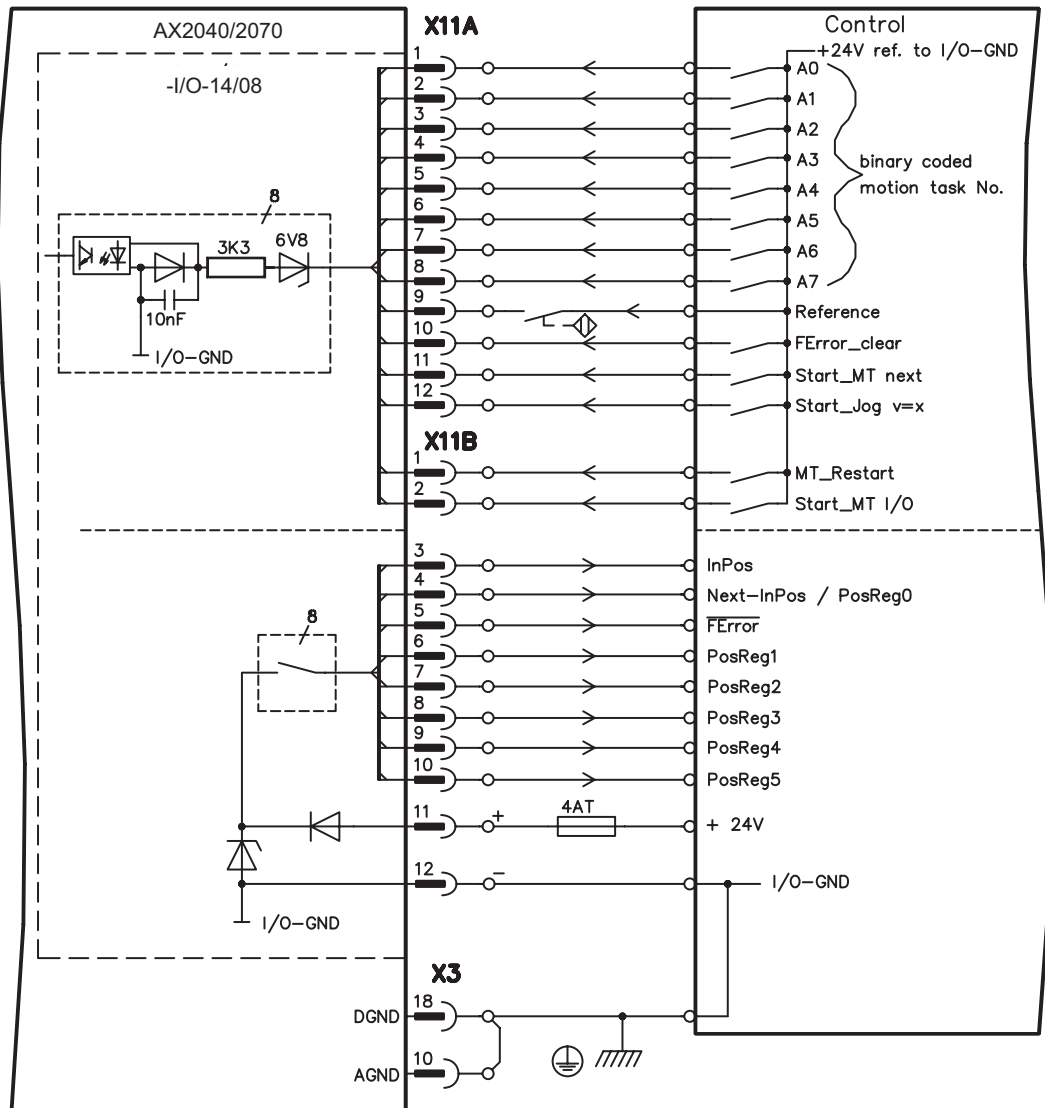
10.2.5

Connector assignments

Connector X11A			
Terminal	Dir	Function	Description
1	In	A0	Motion task no., LSB
2	In	A1	Motion task no., 2 ¹
3	In	A2	Motion task no., 2 ²
4	In	A3	Motion task no., 2 ³
5	In	A4	Motion task no., 2 ⁴
6	In	A5	Motion task no., 2 ⁵
7	In	A6	Motion task no., 2 ⁶
8	In	A7	Motion task no., MSB
9	In	Reference	Polls the reference switch. If a digital input on the basic unit is used as a reference input, then the input on the I/O expansion card will not be evaluated.
10	In	FError_clear	Clear the warning of a following error or the response monitoring.
11	In	Start_MT Next	The following task, that is defined in the motion task by "Start with I/O" is started. The target position of the present motion task must be reached before the following task can be started. The next motion block can also be started by an appropriately configured digital input on the basic unit.
12	In	Start_Jog v=x	Start of the setup mode "Jog Mode" with a defined speed. After selecting the function, you can enter the speed in the auxiliary variable "x". The sign of the auxiliary variable defines the direction. A rising edge starts the motion, a falling edge cancels the motion.

Connector X11B			
1	In	MT_Restart	Continues the motion task that was previously interrupted. The motion task can also be continued by an appropriately configured digital input on the basic unit.
2	In	Start_MT I/O	Start of the motion task that has the number that is presented, bit-coded, at the digital inputs (A0 to A7). The digital function with the same name, in the basic unit, starts the motion task with the address from the digital inputs on the basic unit.
3	Out	InPos	When the target position for a motion task has been reached (the InPosition window), this is signalled by the output of a HIGH-signal. A cable break will not be detected
4	Out	Next-InPos	The start of each motion task in an automatically executed sequence of motion tasks is signalled by an inversion of the output signal. The output produces a Low signal at the start of the first motion task of the motion task sequence. The form of the message can be varied by using ASCII commands.
		PosReg0	Can only be adjusted by ASCII commands.
5	Out	FError	Following-error (low-active).
6	Out	PosReg1	The preset function of the corresponding position register is indicated by a HIGH-signal.
7	Out	PosReg2	
8	Out	PosReg3	
9	Out	PosReg4	
10	Out	PosReg5	Can only be adjusted by ASCII commands.
11	Supply	24VDC	auxiliary supply voltage
12	Supply	I/O-GND	Digital-GND for the controls

10.2.6 Connection diagram



AGND and DGND (connector X3) must be joined together !

10.3 Expansion cards -PROFIBUS-

This chapter describes the PROFIBUS expansion card for the AX2040/2070. Information on the range of functions and the software protocol can be found in the manual "Communication profile PROFIBUS DP". The PROFIBUS expansion card has two 9-pin Sub-D sockets wired in parallel. The supply voltage for the expansion card is provided by the servo amplifier.

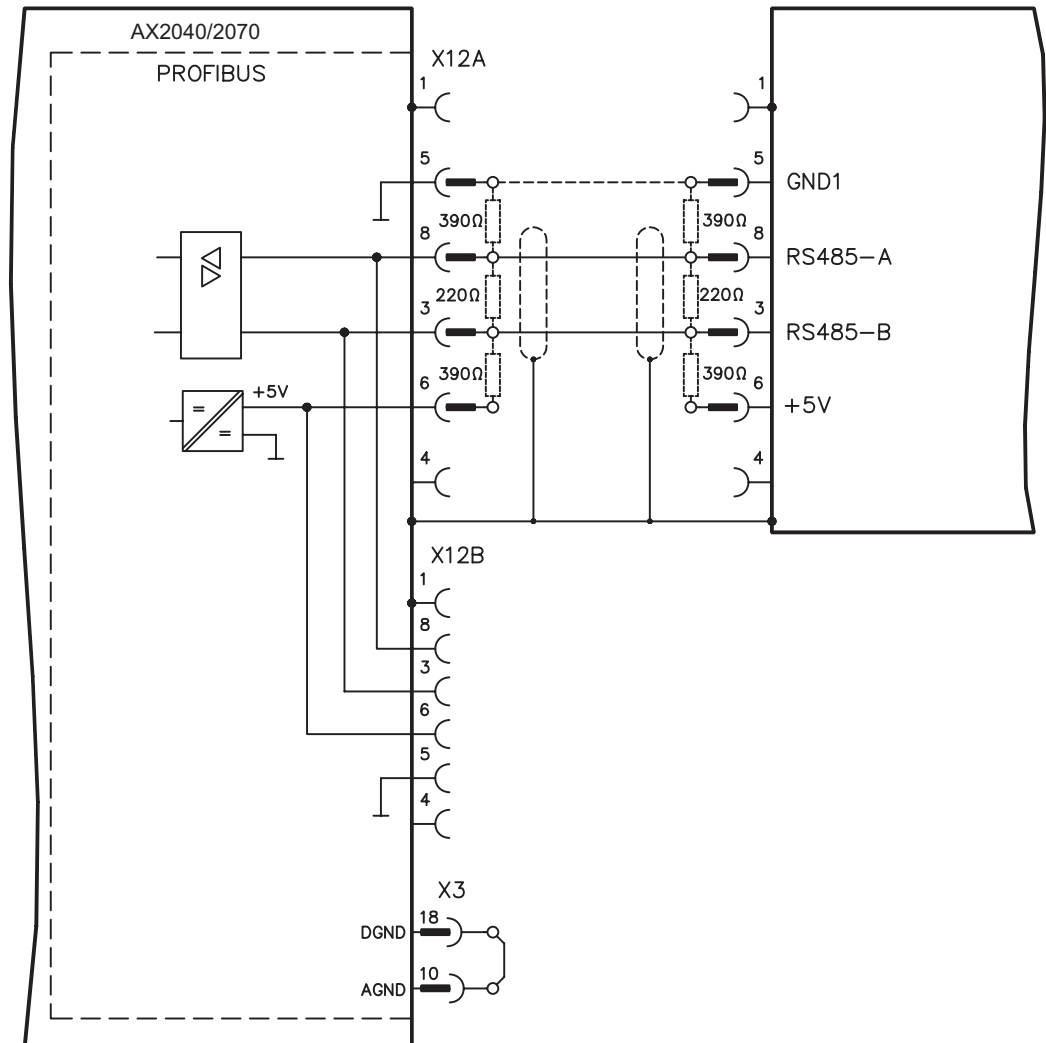
10.3.1 Front view



10.3.2 Connection technology

Cable selection, cable routing, shielding, bus connector, bus termination and transmission times are described in the "Installation guidelines for PROFIBUS-DP/FMS" from PNO, the PROFIBUS User Organization.

10.3.3 Connection diagram



AGND and DGND (connector X3) must be joined together !

10.4 Expansion card -SERCOS-

This chapter describes the SERCOS expansion card for AX2040/2070. Information on the range of functions and the software protocol can be found in the manual "IDN Reference Guide SERCOS".

10.4.1 Front view



10.4.2 Light emitting diodes (LEDs)

RT	indicates whether SERCOS telegrams are being correctly received. In the final Communication Phase 4 this LED should flicker, since cyclical telegrams are being received.
TT	indicates that SERCOS telegrams are being transmitted. In the final Communication Phase 4 this LED should flicker, since cyclical telegrams are being transmitted. Check the stations addresses for the controls and the servo amplifier if: - the LED never lights up in SERCOS Phase 1 or - the axis cannot be operated, although the RT LED is lighting up cyclically.
ERR	indicates that SERCOS communication is faulty or suffering from interference. If this LED is very bright, then communication is suffering strong interference, or is non-existent. Check the SERCOS transmission speed for the controls and the servo amplifier (BAUDRATE) and the fibre-optic connection. If this LED flickers, this indicates a low level of interference for SERCOS communication, or the optical transmitting power is not correctly adjusted to suit the length of cable. Check the transmitting power of the (physically) previous SERCOS station. The transmitting power of the servo amplifier can be adjusted in the setup software DRIVE.EXE on the SERCOS screen page, by altering the parameter for the cable length.

10.4.3 Connection technology

For the fiber optic cable connection, only use SERCOS components to the SERCOS Standard IEC 61491.

Receive data

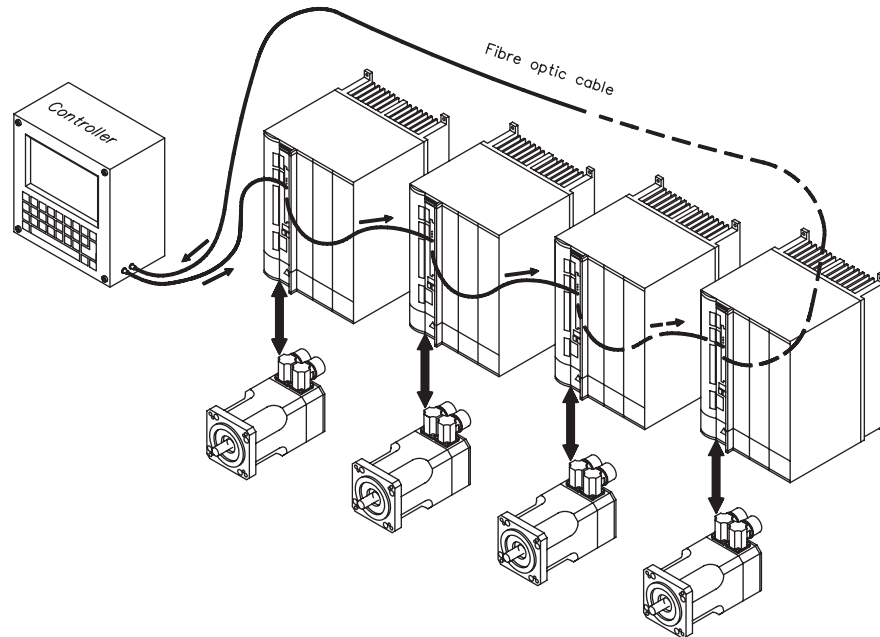
The fiber optic cable carrying receive data for the drive in the ring structure is connected to X13 with an F-SMA connector.

Transmit data

Connect the fiber optic cable for the data output to X14 with an F-SMA connector.

10.4.4 Connection diagram

Layout of the SERCOS bus system in ring topology, with optical fibre cables (schematic).



AGND and DGND (connector X3) must be joined together !

10.4.5 Modifying the station address

The drive address can be set to a value between 0 and 63. With address 0, the drive is assigned as an amplifier in the SERCOS ring. There are various ways to set the station address:

Keys on the front of the servo amplifier

The SERCOS address can also be modified using the keys on the front (p. 91).

Setup software

The address can also be modified in the setup software. For additional information, please refer to the setup software online help. Alternatively, enter the command **ADDR #** in the "Terminal" screen, where # is the new address of the drive.

10.4.6 Modifying the baud rate and optical power

If the baud rate is not set correctly, communication is not possible. The **SBAUD #** parameter can be used to set the baud rate, where # is the baud rate.

If the optical power is not set correctly, errors occur in telegram transmission and the red LED on the drive lights up. During normal communication, the green send and receive LEDs flash, giving the impression that the relevant LED is on. The **SLEN #** parameter can be used to specify the optical range for a standard 1 mm² glass fibre cable, where # is the length of the cable in metres.

SBAUD		SLEN	
2	2 Mbaud	0	Very short connection
4	4 Mbaud	1... < 15	Length of the connection with a 1 mm ² plastic cable
8	8 Mbaud	15... < 30	Length of the connection with a 1 mm ² plastic cable
16	16 Mbaud	³ 30	Length of the connection with a 1 mm ² plastic cable

Setup software

The parameters can be modified in the setup software, "SERCOS" screen. For additional information, please refer to the setup software online help. Alternatively, the commands **SBAUD #** and **SLEN #** can be entered in the "Terminal" screen.

10.5 Expansion card -DEVICENET-

This section describes the DeviceNet expansion card for AX2040/2070.

Information on the range of functions and the software protocol can be found in our manual "DeviceNet Communication Profile".

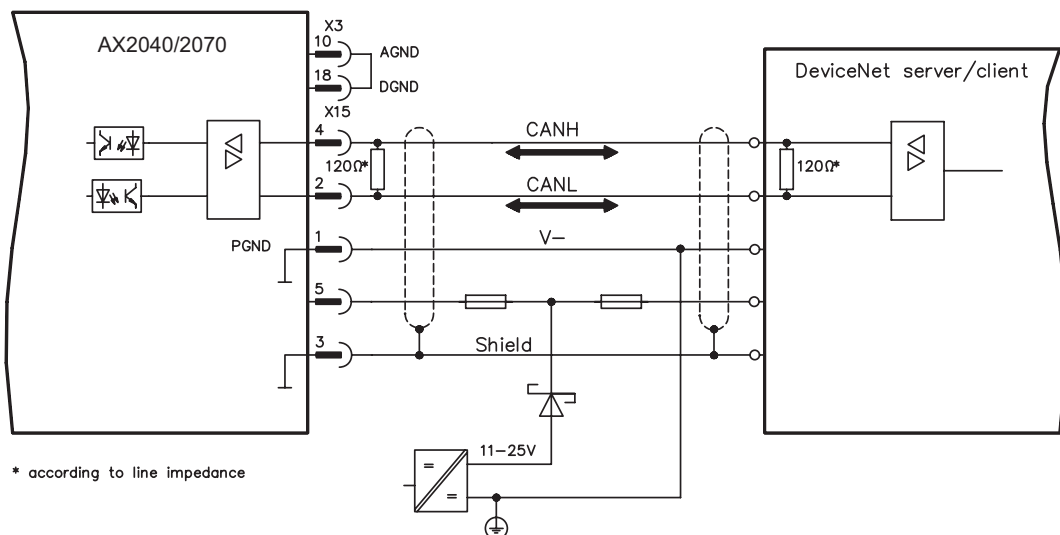
10.5.1 Front view



10.5.2 Connection technology

Cable selection, cable routing, shielding, bus connector, bus termination and transmission times are all described in the "DeviceNet Specification, Volume I, II", published by ODVA.

10.5.3 Connection diagram



AGND and DGND (connector X3) must be joined together !

10.5.4 Combined module/network status-LED

LED	Meaning
off	The device is not online. - The device has not yet finished the Dup_MAC_ID test. - The device is possibly not yet switched on.
green	The device is operating as normal, is online, and the connections have been established. The device has been assigned to a master.
blinking green	The device is operating as normal, is online, but the connections have not been established. - The device has passed the Dup_MAC_ID test and is online, but the connection to other nodes have not been established. - This device has not been assigned to a master. - Missing, incomplete or wrong configuration.
blinking red	An error that can be cleared and/or at least one I/O connection are in a waiting state.
red	- An error has occurred that cannot be cleared; it may be necessary to replace the device. - Communication device failure. The device has detected a fault that prevents communication with the network (for instance, a MAC ID appears twice or BUSOFF).

10.5.5 Setting the station address (device address)

The station address for the servo amplifier can be set in three different ways:

- Set the rotary switches at the front of the expansion card to a value between 0 and 63. Each switch represents a decimal figure. For example, to set the address for the drive to 10, set MSD to 1 and LSD to 0.
- Set the rotary switches at the front of the expansion card to a value higher than 63. Now you can set up the station address by using the ASCII commands DNMACID x, SAVE, COLD-START, whereby "x" stands for the station address.
- Set the rotary switches at the front of the expansion card to a value higher than 63. Now you can set up the station address by using the DeviceNet Object (Class 0x03, Attribute 1). This is normally carried out with the help of a DeviceNet software setup tool. You must save the parameters in non-volatile memory (Class 0x25, Attribute 0x65) and then restart the drive after setting/altering the address.

10.5.6 Setting the transmission speed

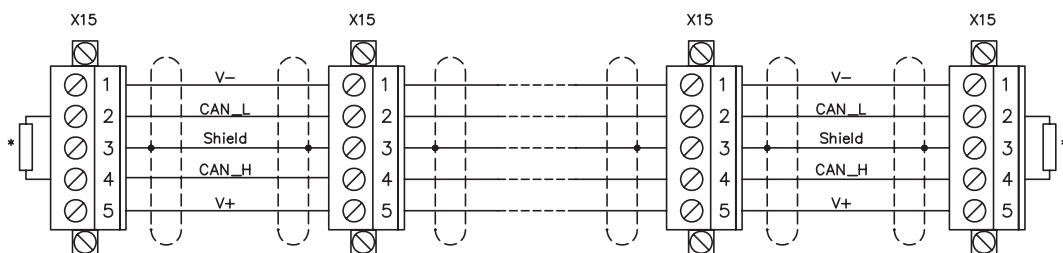
The DeviceNet transmission speed can be set in three different ways:

- Set the rotary switch for Baud rate (at the front of the option card) to a value between 0 and 2. 0 = 125 kbit/s, 1 = 250 kbit/s, 2 = 500 kbit/s.
- Set the rotary switch for Baud rate (at the front of the option card) to a value higher than 2. Now you can set the Baud rate by using the terminal commands DNBAUD x, SAVE, COLD-START, whereby "x" stands for 125, 250 or 500 .
- Set the rotary switch for Baud rate (at the front of the option card) to a value higher than 2. Now you can set the Baud rate by using the DeviceNet Object (Class 0x03, Attribute 2) to a value between 0 and 2. This is normally carried out with the help of a DeviceNet software setup tool. You must save the parameters in non-volatile memory (Class 0x25, Attribute 0x65) and then restart the drive after altering the baud rate.

10.5.7 Bus cable

To meet ISO 898, a bus cable with a characteristic impedance of $120\ \Omega$ should be used. The maximum usable cable length for reliable communication decreases with increasing transmission speed. As a guide, you can use the following values which we have measured, but they are not to be taken as assured limits.

General characteristic	Specification
Bit rates	125 kbit, 250 kbit, 500 kbit
Distance with larger bus connections	500 meters at 125 kBaud 250 meters at 250 kBaud 100 meters at 500 kBaud
Number of nodes	64
Signal environment	CAN
Modulation	Basic bandwidth
Coupling medium	DC-coupled differential transmit/receive operation
Isolation	500 V (option: optocoupler on the transceiver's node side)
Typical differential input impedance (recessive state)	Shunt C = 5pF Shunt R = 25K Ω (power on)
Min. differential input impedance (recessive state)	Shunt C = 24pF + 36 pF/m of the permanently attached stub cable Shunt R = 20K Ω
Absolute max. voltage range	-25 V to +18 V (CAN_H, CAN_L) The voltages for CAN_H and CAN_L refer to the ground pin of the transceiver. The voltage is higher than that on the V-terminal by the amount of the forward voltage drop of the Schottky diode. This voltage drop must be < 0.6V.



* according to line impedance about $120\ \Omega$

Grounding:

The DeviceNet network must only be grounded at one point, to avoid ground loops. The circuitry for the physical layer in all devices are referenced to the V-bus signal. The ground connection is made via the power supply for the bus system. The current flowing between V- and ground must not flow through any device other than the power supply.

Bus topology:

The DeviceNet medium utilizes a linear bus topology. Termination resistors are required at each end of the connecting cable. Stub cables are permitted up to a length of 6 meters, so that at least one node can be connected.

Termination resistors:

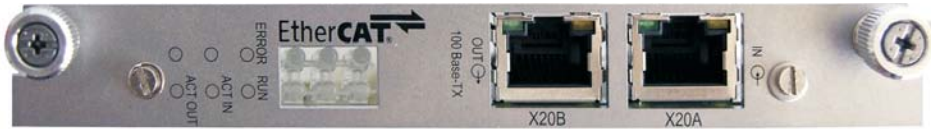
DeviceNet requires a termination **at each end** of the connecting cable.

These resistors must meet the following requirements: $120\ \Omega$, 1% metal-film, 1/4 W

10.6 Expansion card -ETHERCAT-

This section describes the EtherCat expansion card for AX2040/2070. Information on the range of functions and the software protocol can be found in the EtherCat documentation. This expansion cards enables the servo amplifier to be connected to the EtherCat network via RJ-45 connectors (IN and OUT ports).

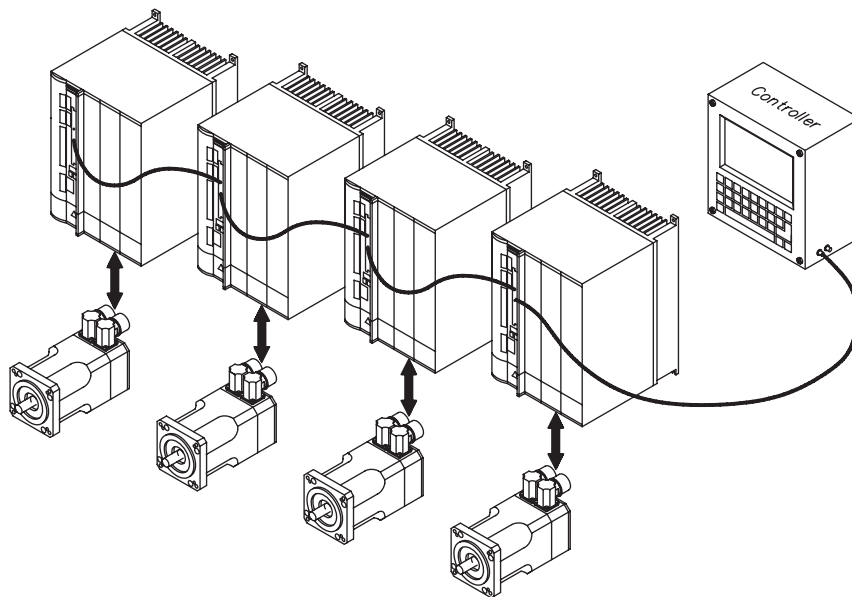
10.6.1 Front view



10.6.2 LEDs

LED	Function
ERROR	flickering = Booting Error blinking = Invalid Configuration single flash = Unsolicited State Change double flash = Watchdog Timeout off = No Error
RUN	on = Device is in state OPERATIONAL blinking = Device is in state PRE-OPERATIONAL single flash = Device is in state SAFE-OPERATIONAL off = Device is in state INIT
ACT IN	on = linked, but not active at X20A (in) flickering = linked and active at X20A (in) off = not linked at X20A (in)
ACT OUT	on = linked, but not active at X20B (out) flickering = linked and active at X20B (out) off = not linked at X20B (out)

10.6.3 Connection diagram



AGND and DGND (connector X3) must be joined together !

10.7 Expansion module -2CAN-

Connector X6 of the AX20 is assigned to the signals for the RS232 interface and the CAN interface. It is therefore not the standard pin assignment for these interfaces, and a special cable is required to be able to use both interfaces simultaneously.

The -2CAN- expansion module provides the interfaces on separate Sub-D connectors. The two CAN connectors are wired in parallel. A termination resistor (120 Ω) for the CAN bus can be switched into circuit if the AX20 is at the end of the bus.



10.7.1 Installation

The modul must be placed onto the option slot after levering off the cover of the option slot:



- Screw the distance pieces into the fixing lugs of the option slot.
- Place the expansion module onto the option slot.
- Screw the screws into the threads of the distance pieces.
- Plug the Sub-D9 socket into connector X6 on the AX20

10.7.2 Front View



10.7.3 Connection technology

Standard shielded cables can be used for the RS232 and CAN interfaces.



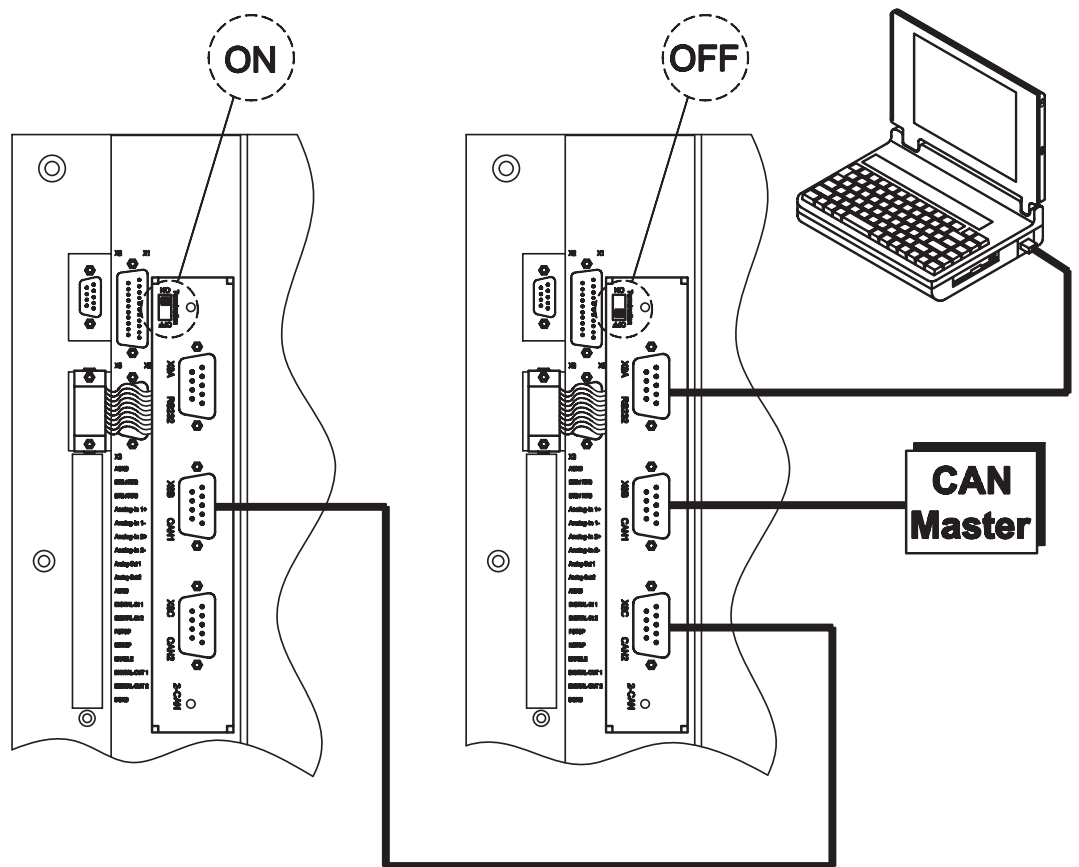
If the servo amplifier is the last device on the CAN bus, then the switch for the bus termination must be set to ON.

Otherwise, the switch must be set to OFF (condition as delivered).

10.7.4 Connector assignments

RS232		CAN1=CAN2	
X6A Pin	Signal	X6B=X6C Pin	Signal
1	Vcc	1	
2	RxD	2	CAN-Low
3	TxD	3	CAN-GND
4		4	
5	GND	5	
6		6	
7		7	CAN-High
8		8	
9		9	

10.7.5 Connection diagram



This page has been deliberately left blank.

11 Appendix

11.1 Glossary

C	Clock	Clock signal
	Common-mode voltage	The maximum amplitude of a disturbance (on both inputs) which a differential input can eliminate
	CONNECT- modules	Modules built into the servo amplifier, with integrated position control, which provide special versions of the interface for the connection to the higher-level control
	Continuous power of regen circuit	Mean power which can be dissipated in the regen circuit
	Counts	Internal count pulses, 1 pulse = $1/2^{20}$ turn ⁻¹
D	Current controller	Regulates the difference between the current setpoint and the actual value to 0 Output : power output voltage
	DC bus link	Rectified and smoothed power voltage
	Disable	Removal of the enable signal (0V or open)
E	Enable	Enable signal for the servo amplifier (+24V)
F	Final speed	Maximum value for speed normalization at $\pm 10V$
	Fieldbus interface	CANopen, PROFIBUS, SERCOS, EtherCat
G	GRAY-code	Special method of representing binary numbers
H	Holding brake	Brake in the motor, which can only be used when the motor is at stillstand
I	I ² t threshold	Monitoring of the actually required r.m.s. current
	Input drift	Temperature and age-dependent alteration of an analog input
	Incremental encoder interface	Position signalling by 2 signals with 90° phase difference, not an absolute position output
	I _{peak} , peak current	The effective value of the peak current
K	I _{rms} , effective current	The r.m.s. value of the continuous current
	K _p , P-gain	Proportional gain of a control loop
L	Limit-switch	Switch limiting the traverse path of the machine; implemented as n.c. (break) contact
M	Machine	The complete assembly of all connected parts or devices, of which at least one is movable
	Monitor output	Output of an analog measurement
	Motion-block	Data packet with all the position control parameters which are required for a motion task
N	Multi-axis system	Machine with several independently driven axes
	Natural convection	Free movement of air for cooling
O	Optocoupler	Optical connection between two electrically independent systems

P	P-controller	Control loop with purely proportional behavior
	Phase shift	Compensation for the lag between the electromagnetic and magnetic fields in the motor
	PID-controller	Control loop with proportional, integral and differential behavior
	PID-T2	Filter time constant for the speed controller output
	Position controller	Regulates the difference between the position setpoint and the actual position to 0 Output : speed setpoint
	Potential isolation	Electrically decoupled
	Power contactor	System protection device with phase monitoring
	Pulse power of the regen circuit	Maximum power which can be dissipated in the regen circuit
R	Regen circuit	Converts superfluous energy, which is fed back during braking, into heat in the regen resistor
	Reset	New start of the microprocessor
	Resolver-digital converter	Conversion of the analog resolver signals into digital information
	Reversing mode	Operation with a periodic change of direction
	Ring core	Ferrite rings for interference suppression
S	ROD-Interface	Incremental position output
	Servo amplifier	Control device for regulating the position of a servomotor
	Setpoint ramps	Limits for the rate of change of the speed setpoint
	Short to ground	Electrically conductive connection between a phase and PE (protective earth)
	Short-circuit	here: electrically conductive connection between two phases
	Speed controller	Regulates the difference between the speed setpoint and the actual value to 0 Output : current setpoint
	SSI-interface	Cyclic-absolute, serial position output
	Supply filter	Device to divert interference on the power supply cables to PE
T	T-tacho, tachometer time constant	Filter time constant in the speed feedback of the control loop
	Tachometer voltage	Voltage proportional to the actual speed
	Thermostat	Temperature-sensitive switch built into the motor winding
	Tn, I-integration time	Integral section of a control loop
Z	Zero pulse	Output once per turn from incremental encoders, used to zero the machine

11.2 Index

I	24Vaux. supply, interface	47	M	Mains supply connection, interface.	47
A	A quad B interface	61		Mains supply networks	46
	Abbreviations	8		Maintenance	13
	Address	88		Master-Slave	56
	Ambient conditions	19		Motor holding brake	21
	Ambient temperature	19		Motor, interface	48
	Analog outputs	64		Mounting position	19
	Assembly	34		Multi-axis systems	
B	Baudrate	88		Address / Baud Rate	88
	BISS interface	51		Connection example	89
	Block diagram	43	N	Nameplate	14
	Brake	21		Noise emission	19
	BTB/RTO	66		NSTOP	65
C	CANopen-Interface	68	O	Operating systems	77
	CE-conformance	12		Options	17
	Conductor cross-sections	20		Outputs	
	Connection diagram	45		Analog out 1/2	64
D	DC-link interface	47		BTB/RTO	66
	DeviceNet bus cable	104		DIGI-OUT 1/2	66
	Disposal	13	P	Package supplied	14
E	EMC	37		Packaging	13
	enclosure protection	19		Part number scheme	15
	Encoder			PC cable	67
	Emulations	61		PC connection	67
	Interface	52		Pin assignments	44
	Master-Slave interface	56		Pollution level	19
	Error messages	92		PSTOP	65
	Expansion card			Pulse-direction, interface	59
	-2CAN-	106	Q	Quickstart	78
	-DeviceNet-	102	R	Regen circuit	22
	-EtherCat-	105		Regen resistor, interface	48
	Guide to installation	95		Residual-current circuit breaker (FI)	31
	-I/O-14/08-	96		Resolver, interface	50
	-PROFIBUS-	99		Restart lock -AS-	69
	-SERCOS-	100		RS232/PC, interface	67
	External fusing	19	S	Safety instructions	9
F	Forming	75		Setpoint inputs	63
G	Glossary	109		Setup	75
	Ground symbol	39		Shielding	
	Grounding			Connection diagram	45
	Connection diagram	45		Connection techniques	40
	Installation	38		Installation	38
H	Hall, interface	54		Shock-hazard protection	31
	Hardware requirements	77		Sine-cosine encoder, interface	53
	Holding brake	21		Site	33
I	Incremental encoder, interface	55		Site altitude	19
	Inputs			SSI, interface	62
	Analog setpoints	63		Standards	11
	DIGI-IN 1/2	65		Storage	13
	Enable	65		Supply voltage	19
	NSTOP	65		Switch-on and switch-off behaviour	23
	PSTOP	65		System components, overview	42
	Installation		T	Technical data	18
	Electrical	37		Torque, connectors	19
	Expansion cards	95		Transport	13
	Mechanical	33		Trouble shooting	94
	Software	77	U	Use as directed	
K	Key operation	90		Hardware	10
L	LC-Display	90		Setup software	76
	Leakage current	31	V	Ventilation	
	Limit Switch Inputs	65		Installation	33
				Tech.Data	19
				Vibrations	19
			W	Warning messages	93
				Wiring	39